

TILT SCOUT

Intrinsically Safe Wireless Inclinator Sensor

PATENT PENDING HATCH DETECTION MODE

EASY TO INSTALL/MAGNETIC MOUNTING

THIEF HATCH MONITORING

PUMP JACK MOTION MONITORING

LOCAL ZEROING AND LED STATUS

CERTIFIED FOR HAZARDOUS LOCATIONS



DESCRIPTION

The Tilt Scout is a wireless solid state inclinometer that measures an angle from horizontal with two modes: Hatch detection and Pump Jack detection. The Hatch detection mode enables monitoring of the opening condition (closed, cracked open, opened) of a hatch for environmental and safety concerns. The Pump Jack detection mode detects and reports if it is operating or moving. The Tilt Scout can also be applied to a variety of other applications where there's a need to detect an angle from horizontal.

FEATURES

- 3 Axis Accelerometer constantly monitors angle and reports status. Will report on state change.
- Hazardous Location Certified – Class 1 Division 1
- Rugged design for outdoor environments
- Magnetic mounting or with built-in installation holes
- Pushbutton zeroing
- Long battery life (greater than 5 years)
- Up to ½ mile range
- Built-in 900mHz radio and antenna
- Operates as a standard wireless node in the SignalFire network

BENEFITS

- Environmental and safety compliance
- Maintenance free non contact sensing
- Fast installation and setup. No tools required
- SignalFire wireless radio sends status to the Gateway
- Modbus or digital output alarming at Gateway available



What is a solid state accelerometer:

A semi-conductor capable of detecting the effects of gravity and acceleration. We use the same sensor included in most modern phones to detect its orientation.

TILT SCOUT

Intrinsically Safe Wireless Inclinometer Sensor (patent pending)

TECHNICAL SPECIFICATIONS

Operating Temp: -40 to +176°F (-40°C to 80°C)

Humidity: NEMA 4X Enclosure

Resolution: <0.1 degree

Power: Internal battery pack. Field replaceable.

Battery Life: Greater than 5 years

Data Interface: Wireless – available as Modbus registers at Gateway

Reporting: Will report every 10 minutes or immediately after a state change.

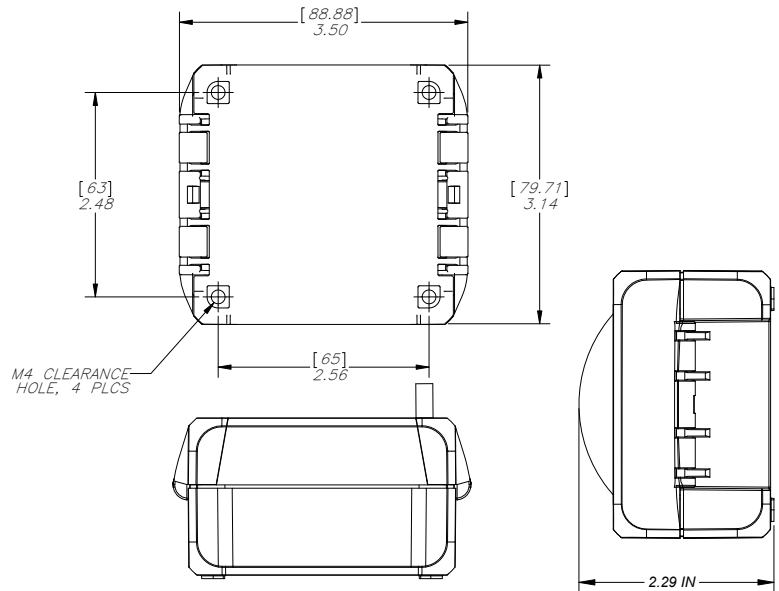
Radio Specifications:

- **Power:** 40 mW
- **Receive Sensitivity:** -109 dB
- **Encryption:** AES 128 bit
- **Frequency:** 902–928 MHz, FHSS, license-free ISM Band Compliant with FCC Part 15

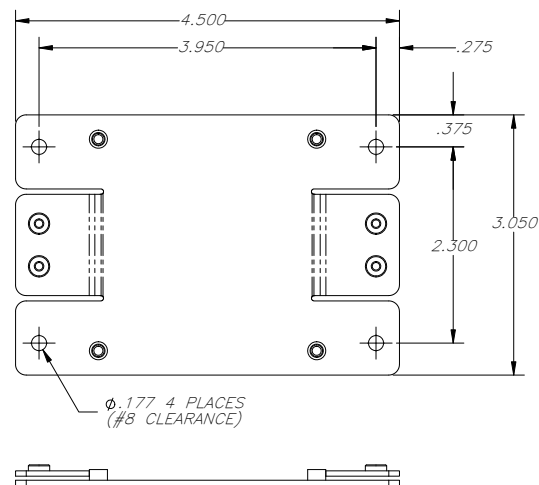
Range: Up to 1/2 mile

Intrinsically Safe: Hazardous Location Certified – Class 1 Division 1 is Temp Code T3, Groups C&D. Conforms to UL Std. 913, Certified to Can/CSA Std C22.2 No. 157

Internal Diagnostics: Battery voltage, signal strength, error conditions



BUILT-IN INSTALLATION HOLES AND OPTIONAL MAGNETIC MOUNTING BRACKET



SIGNALFIRE WIRELESS REMOTE SENSING SYSTEM™

The SignalFire system is a robust, authenticated, secure mesh network designed to give asset managers access to valuable process data. Easy to install and sensor-agnostic, it can interface with many sensor types such as flow, level, pressure, and temperature, and can control devices such as pumps, valves, heaters, fans, and lighting.