

U-JOINTS

Common Spicer® U-Joint Kits By Series



Driveline Series	Spicer® Service Kit (Greaseable unless noted)	Spicer Life™ OE Kit (Greaseable)	Spicer Life™ OE Kit (Greaseable) Replaced By #	Spicer Life™ OE Kit (Non-Greaseable)	Spicer Life™ OE Kit (Non-Greaseable) Replaced By #
1210	5-443X	—	—	—	—
1310/SPL22	5-153X	5-810X*/SPL22-7X*	5-1310-1X*	5-785X / SPL22-1X	5-1310X
1310/SPL22 aluminum	—	—	—	5-786X / SPL22-2X	5-3613X
1310 (Wheel Joint)**	5-297-1X*	—	—	5-760X	—
1310/SPL22 x 7260	—	—	—	5-788X / SPL22-4X	—
1310SPEC/SPL22 SPEC	5-1201X	—	—	5-787X / SPL22-3X	5-7439X
1330SPEC/SPL25 SPEC	5-1204X	—	—	5-792X / SPL25-3X	5-7438X
1330/SPL25	5-213X	5-812X*/SPL25-10X*	5-1330-1X*	5-790X / SPL25-1X	5-1330X
1330/SPL25 x 7290	—	—	—	5-796X / SPL25-7X	5-7437X
1330/SPL25 aluminum	—	—	—	5-791X / SPL25-2X	5-3614X
1330/SPL25 x S44	5-212X	—	—	5-793X / SPL25-4X	5-7436X
1350/SPL30	5-178X	5-1350-1X*	—	5-799X / SPL30-1X	5-1350X
1350/SPL30 aluminum	—	—	—	5-800X / SPL30-2X	5-3615X
1350 x S44	5-3205X	—	—	—	—
1350 (Wheel Joint)**	—	—	—	5017166	5-7166X
1355 AAM	5-3208X◆	—	—	—	—
1410/SPL36	5-160X	5-1410-1X*	—	5-801X / SPL36-1X	5-1410X
1410/SPL36 aluminum	—	—	—	5-802X / SPL36-2X	5-3616X
1415 AAM	5-3207X◆	—	—	—	—
1480/SPL55	5-188X	SPL55-1X	—	5-803X / SPL55X	—
1480/SPL55 (Wheel Jnt)**	—	SPL55-4X	—	5-806X / SPL55-3X	—
1485 AAM	5-3206X◆	—	—	—	—
1485 AAM (Wheel Jnt)**	—	—	—	5006813	—
1550/SPL70	5-155X	SPL70-1X	—	5-808X / SPL70X	—
1550/SPL70 (Wheel Jnt)**	—	SPL70-4X	—	SPL70-3X	—
7260**	5-1306X	—	—	5-789X / SPL22-8X	—
7290**	5-1309X	—	—	5-811X / SPL25-9X	—
S44**	5-3147X	—	—	5-795X / SPL25-6X	—
SPL90	—	SPL90X	SPL100-1X	—	—
SPL100	—	SPL100-1X	—	—	—
SPL140	—	SPL140X	—	—	—
SPL170	—	SPL170X	SPL170-3X	—	—
SPL170	—	SPL170-3X	SPL170-4X	—	—
SPL250X	—	SPL250X	SPL250-3X	—	—
1610 (Full Round)	5-279X■	—	—	—	—
1610 (Half Round)	5-674X■	—	—	—	—
1650	5-165X■	—	—	—	—
1710 (Full Round)	5-280X■	—	—	—	—
1710 (Half Round)	5-675X■	—	—	—	—
1760 (Full Round)	5-407X■	—	—	—	—
1760 (Half Round)	5-677X■	—	—	—	—
1800 (Full Round)	5-124X■	—	—	—	—
1810 (Full Round)	5-281X■	—	—	—	—
1810 (Half Round)	5-676X■	—	—	—	—
1880 (Full Round)	5-308X■	—	—	—	—

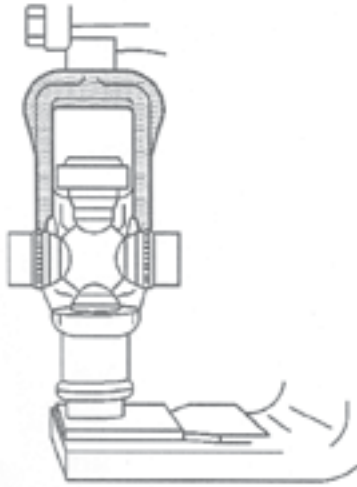
■ OE Kit ◆ Non-Greasable *Zerk in cap **All Caps Inside Snap Ring

www.spicerparts.com

J3261-4-DAG 07/12
© Dana Holding Corporation

U-Joints

UNIVERSAL JOINT REPLACEMENT



- **Inspect U-Joint** to determine if snap rings or nylon injection is holding the bearing cups in.
- Mark orientation of part so part can be reassembled in the same position.
- If snap rings are present, remove them first.
- Support lower ear such that the bearing cup can be pressed out into a receiver.
- **Do not heat yoke.**
- **Do not try to press U-Joint through both ears.**
- Use a C-tool similar to what is shown and press the bearing cup out, one at a time.
- After all bearing cups are removed, clean the grooves where the new snap rings will be installed.
- Start one bearing cup assembly into the yoke, install the cross, being careful that none of the needles move out of position during installation. Install bearing cup to the start of the snap ring groove (final press will be done after both bearing assemblies are in place).
- Turn assembly 180 degrees and install the other bearing cup assembly.
- Now press bearing assembly so the snap ring can be installed and repeat for the other side.
- Make sure snap rings are seated in position. The cross should be able to rotate.

DRIVESHAFT BALANCING

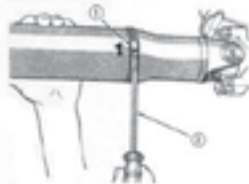


FIG 1

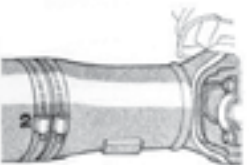


FIG 2

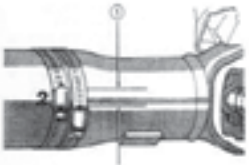


FIG 3

- If driveshaft is suspected of being out of balance, check for missing balance weights, broken welds and any build-up of dirt or paint that could cause the driveshaft balance to be affected.
- Inspect U-Joint and clamps for wear or looseness, replace if required. If the driveshaft is bent, it will have to be replaced.
- To field balance a driveshaft, raise vehicle parallel to the ground so that the vehicle can be started, and the tires and wheels can rotate freely.
- Measure about six inches from the yoke end, and place four marks 90 degrees apart around the driveshaft. Number them so that they can be identified.
- Run vehicle and note vibration intensity and speed when vibration occurs.
- Place a screw type hose clamp at the first position. (See FIG 1)
- Run vehicle to see if vibration changed, if not rotate the clamp so the screw is at the next mark on the driveshaft.
- If after positioning the clamp at all four positions, the vibration is not changed, the vibration may not be the driveshaft.
- Run vehicle, repeat until vibration seems to be reduced. Install a second clamp and test again to see if vibration is reduced. (See FIG 2)
- If second clamp causes an increase of vibration, separate the clamp screws about $\frac{1}{2}$ inch (See FIG 3), and repeat test. Increase distance until vibration is at the lowest.
- Make sure the clamps are tight, and bend the loose end so that the screw will not loosen.



U-JOINTS

Neapco #	Spicer #	Meritor #	Transtar #	Precision #	Alternate #	Alternate #
1-0005			UJ500			
1-0012	5-1508X		UJ502	390		
1-0013			UJ702			
1-0027	5-1501X		UJ504	391	UJ701	
1-0028	5-1500X			392		
1-0029	5-1505X		UJ704	393		
1-0029BF			UJ704F			
10-0312	10-3-12X	210N 3 12X				
10-0322	10-3-22X	210N 3 22X				
10-0323	10-3-23X	210N 3 23X				
10-0332	10-3-32X	210N 3 32X				
10-0333	10-3-33X	210N 3 33X				
10-0381	10-3-81X	210N 3 81X				
10-0383	10-3-83X	210N 3 83X				
10-0412	10-4-12	210N 4 12				
10-0413	10-4-13	210N 4 13				
10-0422	10-4-22	210N 4 22				
10-0423	10-4-23	210N 4 23				
10-0432	10-4-32	210N 4 32				
10-0433	10-4-33	210N 4 33				
10-0443	10-4-43	210N 4 43				
1-0045	5-70-28X	2KT16SB				
10-0452	10-4-52	210N 4 52				
10-0453	10-4-53	210N 4 53				
1-0046	6.5-70-18X	2KT17SB				
10-0463	10-4-63	210N 4 63				
10-0473	10-4-73	210N 4 73				
10-0483	10-4-83	210N 4 83				
10-0493	10-4-93	210N 4 93				
1-0089	2-94-28X	2KT116				
1-0099	3-94-18X	2KT117				
10-1022	10-2-29	210N 2 29				
1-0103	5-103X				1-0170	
1-0105	5-105X	2CP105X	UJ506		5-1036X	
1-0109	3-94-28X	2KT118				
1-0134	5-134X	2CP134X	UJ131	253		
1-0134BF			UJ0134BF			
1-0153	5-153X	2CP153X	UJ101HD	329		
1-0153BF			UJ101F		5-153	5-785
1-0154			UJ508			
1-0170	5-170X	2CP170X		1501		
1-0172	5-110X					
1-0174	5-260X	2CP260X	UJ130	365	5-74X	2CP74X
1-0174BF			UJ0174BF			
1-0175			UJ580			
1-0200	5-200X	2CP200X				
1-0248	5-248X	2CP248X		361		
1-0278			UJ132	329		
1-0297	5-760X		UJ510	371	1-0297BF	UJ510F
10-3122	10-3-122X	210N 3 122X				
10-3162	10-3-162X	210N 3 162X				
10-3163	10-3-163X	210N 3 163X				
10-3183	10-3-183X	210N 3 183X				
1-0350	5-350X		UJ445	368		
10-4103	10-4-103	210N 4 103				

Neapco #	Spicer #	Meritor #	Transtar #	Precision #	Alternate #	Alternate #
10-4113	10-4-113	210N 4 113				
10-4123	10-4-123	210N 4 123				
10-4133	10-4-133	210N 4 133				
10-4143	10-4-143	210N 4 143				
10-4173	10-4-173	210N 4 173				
10-4183	10-4-183	210N 4 183				
10-4193	10-4-193	210N 4 193				
10-4282	10-4-282	210N 4 282				
1-0430			UJ514			
1-0431			UJ516			
1-0443	5-443X	2CP 443X	UJ518	437G		
1-0443BF			UJ518F			
10-4443	10-4-443	210N 4 443				
10-4453	10-4-453	210N 4 453				
10-4481	10-4-481	210N 4 481				
1-0449			UJ522			
10-4573	10-4-573	210N 4 573				
10-4703	10-4-703	210N 4 703				
1-0616	5-430X					
1-1275	5-242X			995		
1-1475	5-92X	2CPL6R 50		861		
1-1516			UJ710			
1-1557	5-1503X		UJ524			
1-1604	5-1514X		UJ526	385		
1-1606			UJ705			
1-1610			UJ706			
1-1610BF			UJ706F			
1-1612	5-1510X		UJ528			
1-1612BF			UJ528F			
1-1875	5-2011X	2CP2011X	UJ532	507	1-3600	
1-2075	5-129X					
1-2134	5-2031X	2CP2031		508	2-3500	
1-2173	5-2173X		UJ530			
1-2185	5-2116X	2CP2116				
1-3650	5-2140X	2CP2140		505		
1-4635	5-1201X	2CP1201X	UJ311	430	5-7439X	2-0792
1-5900	5-1200X	2CP1200X	UJ310	329	2-0053BF	5-785X
1-5900BF			UJ310F			
1-6300	5-1306-1X	2CP1306 1X				
1-6301	5-1306X	2CP1306X	UJ448	246	40909	5-789X
1-6301BF			UJ448F		UJ6301BF	
2-0020			UJ534			
2-0052	5-178X	2GCP 5177X	UJ586		2-0053	5-1350X
2-0053	5-1350X		UJ102		2-0053OEB	UJ1530
2-0053BF			UJ0053BF			
2-0054	5-160X	2CP160X	UJ536	330		
2-0054BF			UJ536F			
2-0054OEB	5-1410X					
2-0057	5-7166X					
2-0151			UJ538			
2-0291	5-291X					
2-0317			UJ540			
2-0355	5-7437X		UJ542	458	5-743X	
2-0382			UJ544			
2-0383	5-1515X		UJ546	383		

U-JOINTS

U-Joints

Neapco #	Spicer #	Meritor #	Transtar #	Precision #	Alternate #	Alternate #
2-0456			UJ548			
2-0456BF			UJ550F			
2-0521	SPL55-3X			374	3-0332	
2-0527	5-527X	2CP527X				
2-0599BF			UJ552F			
2-0617BF			UJ604F			
2-0621BF			UJ606F			
2-0631BF			UJ608F			
2-0633BF			UJ610F			
2-0637BF			UJ612F			
2-0641BF			UJ614F			
2-0737BF			UJ616F			
2-0785	5-1310X					
2-0793	5-793X					
2-0795	5-795X					
2-1175	5-811X		UJ451	316	2-1175BF	5-1309X
2-1355			UJ554			
2-1400	5-1300X	2CP51625 2				
2-1569	5-212X		UJ229	355		
2-1569BF			UJ229F			
2-2275	5-243X			964	2-2276	
2-2600	5-4015X	2CP4015				
2-2700	5-2033X	2CP2033			50021000	
2-3011	5-3147X	2CP3147X	UJ228G	235	2-3011BF	5-795X
2-3011BF			UJ3011BF			
2-3050	5-648X					
2-3100	5-353X	2CP353X	UJ144	319	5-788X	
2-3102	5-3012X	2CP3012				
2-3190	5-357X	2CP357X		362		
2-4800	5-213X	2CP213X	UJ315	233	2-4800BF	UJ315F
2-4800BF			UJ4800BF			
2-4800OEB	5-1330X					
2-4801			UJ590			
2-4900	5-1204X	2CP1204X	UJ316	434		
2-4900BF			UJ316F			
2-5374			UJ558			
2-6200	5-1205X	2CP1205X				
2-6600	5-1206X	2CP1206X	UJ560		58004989	5004989
3-0044	5-431X					
3-0055	5-115X	2CP115X				
3-0056	5-1301X	2CP1301X		304		
3-0155	5-155X	2CP155X	UJ562	358	3-0808	SPL70-1X
3-0157	SPL70-4X					
3-0188	5-188X	2CP188X	UJ564	351A		
3-0332	5-806X	2CP332X	UJ566	374	5-332X	SPL55-3X
3-0415			UJ568			
3-0485	5006813		UJ570	464		
3-0486			UJ572			
3-0544BF			UJ314F			
3-0803	SPL55X					
3-3031	5-3031X					
3-3130			UJ313		5-3130X	
3-3130	5-3022X	2CP3022X	UJ3130A			
3-3130BF			UJ313F			
3-3131	5-354X	2CP354X				

U-JOINTS

Neapco #	Spicer #	Meritor #	Transtar #	Precision #	Alternate #	Alternate #
3-3140	5-460X	2CP460X		348		
3-3152	5-3000X	2CP3000		536		
3-4123	5-4123X	2CP4101				
3-4138	5-4138X	2CP4002		540	5-4002X	
3-4140	5-4140X					
3-4143	5-4143X	2CP4143X				
3-4152	5-4014X	2CP4102				
3-5132	5-5008X	2CP5008				
3-6700	5-1214X	2CP1214X				
4-0165	5-165X	2CP165X		359		
4-0190	SPL100-1X		UJ574	460		
4-0279	5-279X	2R 279X		333	2US279X	
4-0279	-	2US279X				
4-0674	5-674X	2R 674X				
4-2791	-	2US674X				
4-3314	5-1519X	2R 18630				
4-5122	5-5000X	2CP5122				
4-5177	5-5177X	2CP5177			50776020	
4-5800	5-5800X	2CP58WB HWD				
4-5801	5-5801X	2CP58WB DWT				
4-5802	5-5802X	2CP58WB HB				
4-6114	5-6102X	2CP62N HB				
4-6128	5-6106X	2CP62N HWD			50138000	
4-6143	5-6000X	2CP62N DWT				
4-6162	5-6108X	2CP62N 50				
4-6163	5-6109X	2CP62N 51				
5-0280	5-280X	2R 280X		334	2US280X	
5-2801	-	2US675X				
5-7126	5-7105X	2CP72N HWD				
5-7205	5-7000X	2CP72N DWT				
5-7207	5-7202X	2CP72N HB				
6-0124	5-124X	2CP124X				
6-0281	5-281X	2R 281X		381	2US281X	
6-0308	5-308X			388		
6-0324	5-324X	2CP18N 96				
6-0326	5-326X					
6-0407	5-407X	2R 407X		376	2US407X	
6-0675	5-675X	2R 675X		476		
6-0676	5-676X	2R 676X				
6-0677	5-677X	2R 677X				
6-1170	SPL170-4X					
6-1250	SPL250-3X					
6-2811	-	2US676X				
6-4071	-	2US677X				
6-8113	5-8105X	2CP82N HWD				
6-8205	5-8200X	2CP82N DWT			2CP85WB DWT	
6-8207	5-8202X	2CP82N HB				
6-9014	5-9000X	2CP92N DWT				
6-9016	5-9001X	2CP92N HWD				
6-9017	5-9002X	2CP92N HB				
7-0082	211355X	228CV82 HD			2131N CV82 HD	
N10270-SF	10270-5729	2R10270 SF				
N10-3-18KX	10-3-18KX	210N 3 18KX				
N10-32-92-108	10-32-92-10000				N10-32-92-72	
N1-1-273	1-1-273					

U-JOINTS

U-Joints

Neapco #	Spicer #	Meritor #	Transtar #	Precision #	Alternate #	Alternate #
N16-30-102-108	16-30-102-10800				N16-30-102-72	
N16-30-32-108	16-30-32-10000				N16-30-32-72	
N16-30-62-108	16-30-62-10800	2RT 2 14 108				
N16-30-62-72	16-30-62-7400	2RT 2 14 72				
N16-74-101	16-74-101					
N170-70-18X	170-70-18X					
N20-30-12-108	20-30-12-10800	2RT 25 16 108				
N20-30-12-72	20-30-12-7400	2RT 25 16 72				
N20-30-22-108	20-30-22-10800	2RT 25 14 108				
N20-30-22-72	20-30-22-7400	2RT 25 14 72				
N20-30-52-108	20-30-52-10800	2RT 25 13 108				
N210084-2X	210084-2X	2CB210084 2X				
N210088-1X	210088-1X	2CB210088 1X				
N210090-1X	210090-1X	2CB210090 1X				
N210121-1X	210121-1X	2CB210121 1X			CN210121-1X	
N210130-1X	210130-1X	2CB210130 1X				
N210140-1X	210140-1X	2CB210140 1X			CN210140-1X	
N210144-1X	210144-1X	2CB210144 1X			CN210144-1X	
N210207-1X	210207-1X	2CB210207 1X			CN210207-1X	
N210367-1X	210367-1X	2CB210367 1X			CN210367-1X	
N210370-1X	210370-1X	2CB210370 1X			CN210370-1X	
N210391-1X	210391-1X	2CB210391 1X				
N210433-1X	210433-1X	2CB210433 1X			CN210433-1X	
N210527X	210527X	2CB210527X			CN210527X	
N210661-1X	210661-1X	2CB210661 1X			5003323	CN210661-1X
N210866-1X	210866-1X	2CB210866 1X				
N210873-1X	210873-1X	2CB210873 1X			CN210873-1X	
N210875-1X	210875-1X	2CB210875 1X			5003326	
N210881-1X	210881-1X	2CB210881 1X			CN210881-1X	
N211016X	-	2CB211016X				
N211037-1X	211037-1X					
N211172-1X	211172-1X					
N211187X	211175X	2CB211187X				
N211304X	211304X	2CB 310009-1X				
N2-1-1313	2-1-1313					
N2-1-1313-1	2-1-1313-1					
N2-1-1313-3	2-1-1313-3					
N2-1-1313-4	2-1-1313-4					
N2-1-1313-5	2-1-1313-5					
N2-1-1313-7	2-1-1313-7					
N2-1-1313-8	2-1-1313-8					
N2-1-1313-9	2-1-1313-9					
N2-1-1323-1	2-1-1323-1					
N2-1-1323-3	2-1-1323-3					
N211431X	211431X					
N211590-1X	211590-1X					
N211848-1X	211848-1X					
N212028-1X	212028-1X					
N212032-1X	212032-1X					
N2-2-1049	2-2-1049	2121N 2 1049				
N2-2-1369	2-2-1369					
N2-2-1379	2-2-1379					
N22-30-12-108	22-30-12-10000					
N22-30-12-72	22-30-12-7400					
N22-30-22-108	22-30-22-10800	2RT 275 14 108				

U-JOINTS

Neapco #	Spicer #	Meritor #	Transtar #	Precision #	Alternate #	Alternate #
N22-30-22-72	22-30-22-5400	2RT 275 14 72				
N2-2-329	2-2-329	2131N 2 329			N2-2-329B	
N2-2-349	2-2-349	2131N 2 349				
N2-2-459	2-2-459					
N2-2-479	2-2-479	2131N 2 329				
N2-2-479B	2-2-479B					
N2-2-579	2-2-579	2131N 2 579				
N2-26-347	2-26-347					
N2-26-367	2-26-367	2131N 26 367				
N2-26-367	2-26-497					
N2-26-457	2-26-457					
N2-26-477	2-26-477					
N2-26-527	2-26-527					
N2-27-24-6000	2-27-24-6000					
N2-27-7-4724	2-27-7-4724					
N2-27-9-4800	2-27-9-6017				N2-27-9-6017	
N2-28-1177	2-28-1177	2133N 28 1177				
N2-28-1617	2-28-1617					
N2-28-1697	2-28-1697	2133N 28 1697				
N2-28-1707	2-28-1707	2133N 28 1707				
N2-28-1717	2-28-1717	2133N 28 1717			N2-28-1717B	
N2-28-1757	2-28-1757	2131N 28 1757				
N2-28-1947	2-28-1947					
N2-28-1977	2-28-1977				N2-28-1977B	
N2-28-2117X	2-28-2117X					
N2-28-2137X	2-28-2137X					
N2-28-2157X	2-28-2157X					
N2-28-2407X	2-28-2407X					
N2-28-2417	2-28-2417					
N2-28-2747X	2-28-2747X					
N2-28-277	2-28-277	2131N 28 277			N2-28-277B	
N2-28-2827X	2-28-2827X					
N2-28-2867X	2-28-2867X					
N2-28-2887X	2-28-2887X					
N2-28-2907X	2-28-2907X					
N2-28-2927X	2-28-2927X					
N2-28-2937X	2-28-2937X					
N2-28-2947X	2-28-2947X	2131N 28 1777X				
N2-28-2957X	2-28-2957X	2131N 28 1747X				
N2-28-2967X	2-28-2967X					
N2-28-2977X	2-28-2977X					
N2-28-2987X	2-28-2987X					
N2-28-2997X	2-28-2997X					
N2-28-3067X	2-28-3067X					
N2-28-307	2-28-307	2131N 28 307				
N2-28-3087X	2-28-3087X					
N2-28-3257X	2-28-3257X					
N2-28-327	2-28-327	2131N 28 327				
N2-28-3447X	2-28-3447X					
N2-28-357	2-28-357	2131N 28 357				
N2-28-367	2-28-367	2131N 28 367			N2-28-367B	
N2-28-397	2-28-397	2131N 28 397				
N2-28-417	2-28-417	2131N 28 417				
N2-28-427	2-28-427	2131N 28 427				
N2-28-437	2-28-437	2131N 28 437				

U-JOINTS

Neapco #	Spicer #	Meritor #	Transtar #	Precision #	Alternate #	Alternate #
N2-28-477	2-28-477					
N2-28-577	2-28-577					
N2-2-899	2-2-899	2121N 2 899				
N2-2-939	2-2-939	2131N 2 939				
N230123-6	230123-6	2WAR21 1				
N230129	230129	2WAR13 5				
N230640	230640					
N2-3-0686X	-	2121N 3 686				
N230794	230794	2DEF47 6				
N230795	230795	2DEF47 4				
N230921	230921	2DEF50 2				
N231015	231015					
N2-3-10201X	2-3-10201X					
N2-3-10431X	2-3-10431X					
N2-3-1224-1X	-	2121N 3 1224 1X				
N2-3-1224X	-	2121N 3 1224X				
N2-3-12671X	2-3-12671X					
N2-3-128KX	2-3-128KX	2131N 3 128KX			N2-3-128KXB	
N2-3-14061X	2-3-14061X					
N231502	231502	1 1227Z 936				
N2-3-2321X	-	2121N 3 2321X				
N2-3-4441KX	2-3-4441KX	2131N 3 4441KX				
N2-3-4681KX	2-3-4681KX					
N2-3-4871X	2-3-4871X					
N2-3-5821X	2-3-5821X	2131N 3 8021KX				
N2-3-5981X	2-3-5981X					
N2-3-6041X	2-3-6041X					
N2-3-6061KX	2-3-6061KX	2131N 3 6061KX				
N2-3-6081X	2-3-6081X				N2-3-6081XB	
N2-3-7171KX	2-3-7171KX	2131N 3 7171KX				
N2-3-7260KX	2-3-10621KX	2131N 3 7260KX				
N2-3-7681KX	2-3-7681KX	2133N 3 7681KX			N2-3-7681KXB	
N2-3-7961KX	2-3-7961KX	2133N 3 7961KX				
N2-3-7981KX	2-3-7981KX	2131N 3 7981KX				
N2-3-8001KX	2-3-8001KX	2131N 3 8001KX			N2-3-8001KXB	
N2-3-8021KX	2-3-8021KX	2131N 3 8021KX			N2-3-8021KXB	
N2-3-8041KX	2-3-8041KX	2133N 3 8041KX			N2-3-8041KXB	
N2-3-8251X	2-3-8251X					
N2-3-8861X	2-3-8861X	2121N 3 8861KX				
N2-3-8961X	2-3-8961X	2121N 3 8961KX				
N2-40-1031	2-40-1031	2131N 40 1031				
N2-40-1221	2-40-1221	2131N 40 1221				
N2-40-1231	2-40-1671					
N2-40-1291	2-40-1291	2131N 40 1291				
N2-40-1521	2-40-1521	2131N 40 1521				
N2-40-1531	2-40-1531					
N2-40-1701	2-40-1701	2131N 40 1701			N2-40-1701B	
N2-40-1711	2-40-1711	2131N 40 1711				
N2-40-1741	2-40-1741	2121N 40 1741				
N2-40-1771	2-40-1771	2131N 40 1771				
N2-40-1811	2-40-1811	2131N 40 1811				
N2-40-1851	2-40-1851	2131N 40 1851				
N2-40-1871	2-40-1871	2131N 40 1871				
N2-40-2051	2-40-2051	2131N 40 2051				
N2-40-2211	2-40-2211	2121N 40 2211				

U-Joints

Neapco #	Spicer #	Meritor #	Transtar #	Precision #	Alternate #	Alternate #
N2-40-2301	2-40-2301	2121N 40 2301				
N2-40-2381	2-40-2381					
N2-4-1103	2-4-1103					
N2-4-1233	2-4-1233					
N2-4-177	2-4-177					
N24-30-12-108	24-30-12-10800	2RT 3 13 108				
N24-30-12-72	24-30-12-7400	2RT 3 13 72				
N24-30-32-108	24-30-32-10800	2RT 3 16 108				
N24-30-32-72	24-30-32-7400	2RT 3 16 72				
N24-30-42-108	24-30-42-10800	2RT 3 14 108				
N24-30-42-72	24-30-42-7400	2RT 3 14 72				
N2-4-3331	2-4-3331	2131N 4 3331				
N2-4-3801X	2-4-3801X					
N2-4-4191	2-4-4191					
N2-4-4341	2-4-4341					
N2-4-473	2-4-473	2131N 4 473				
N2-4-4921	2-4-4921					
N2-4-503	2-4-503	2131N 4 503				
N2-4-533	2-4-533	2131N 4 533				
N2-4-5341	2-4-5341					
N2-4-573	2-4-573					
N2-4-583	2-4-583					
N2-4-783	2-4-783	2131N 4 783				
N2-4-783-1	2-4-783-1					
N2-4-803	2-4-803					
N2-4-8091X	2-4-8091X					
N250-70-18X	250-70-18X					
N2-53-471	2-53-471					
N2-53-491	2-53-491	2131N 53 491				
N2-53-501	2-53-501					
N2-53-691	2-53-691					
N2-53-711	2-53-711	2131N 53 711				
N28-30-22-108	28-30-22-10800	2RT 35 13 108				
N28-30-22-72	28-30-22-7400	2RT 35 13 72				
N28-30-42-108	28-30-42-10800	2RT 35 16 108				
N28-30-42-72	28-30-42-7400	2RT 35 16 72				
N28-30-52-108	28-30-52-10800	2RT 35 156 108				
N28-30-52-72	28-30-52-7400	2RT 35 156 72				
N28-30-62-108	28-30-62-10800	2RT 35 14 108				
N28-30-62-72	28-30-62-7400	2RT 35 14 72				
N28-30-92-108	28-30-92-10800	2RT 35 10 108				
N28-30-92-72	28-30-92-7400	2RT 35 10 72				
N2-83-388X	212040X					
N2-86-418	2-86-418					
N3-1-1013	3-1-1013					
N3-1-1013-1	3-1-1013-1					
N3-1-1013-10	3-1-1013-10					
N3-1-1013-11	3-1-1013-11					
N3-1-1013-12	3-1-1013-12					
N3-1-1013-2	3-1-1013-2					
N3-1-1013-3	3-1-1013-3					
N3-1-1013-4	3-1-1013-4					
N3-1-1013-5	3-1-1013-5					
N3-1-1013-6	3-1-1013-6					
N3-1-1013-7	3-1-1013-7					

U-JOINTS

U-Joints

Neapco #	Spicer #	Meritor #	Transtar #	Precision #	Alternate #	Alternate #
N3-1-1013-8	3-1-1013-8					
N3-1-1013-9	3-1-1013-9					
N3-1-1023-1	3-1-1023-1					
N3-1-1023-2	3-1-1023-2					
N3-1-1023-3	3-1-1023-3					
N3-2-119	3-2-119	2135N 2 119				
N3-2-1579	3-2-1579					
N3-2-159	3-2-159	2141N 2 159			N3-2-159B	
N3-2-1619	3-2-1619					
N3-2-1699	3-2-1699					
N32-30-22-108	32-30-22-10800	2RT 4 14 108				
N32-30-22-72	32-30-22-7400	2RT 4 14 72				
N32-30-52-108	32-30-52-10800	2RT 4 10 108				
N32-30-52-72	32-30-52-7400	2RT 4 10 72				
N32-30-72-108	32-30-72-10800	2RT 4095 7 108				
N32-30-72-72	32-30-72-7400	2RT 4095 7 72				
N3-2-429	3-2-429	2141N 2 429				
N3-2-479	3-2-479	2148N 2 479			N3-2-479B	
N3-26-757	3-26-757					
N3-27-22-6110	3-27-22-6110					
N3-27-2-6400	3-27-2-6400					
N3-28-257	3-28-257					
N3-28-367	3-28-367	2141N 28 367				
N3-28-417	3-28-417					
N3-28-427	3-28-427	2135N 28 427				
N3-28-457	3-28-457					
N3-28-47	3-28-47	2135N 28 47				
N3-28-507	3-28-507	2148N 28 507				
N3-28-537	3-28-537	2148N 28 537				
N3-28-547	3-28-547	2148N 28 547				
N3-28-557	3-28-557	2141N 28 557			N3-28-557B	
N3-28-567	3-28-567	2148N 28 567				
N3-28-57	3-28-57	2135N 28 57			N3-28-57B	
N3-28-97	3-28-97	2141N 28 97				
N3-28-97B	3-29-97				N3-3-118KXB	
N3-3-118KX	3-3-118KX	2141N 3 118KX				
N3-3-1481KX	3-3-1481KX	2141N 3 1481KX				
N3-3-1501KX	3-3-1501KX	2135N 3 1501KX				
N3-3-1561KX	3-3-1561KX	2135N 3 1561KX				
N3-3-1601KX	3-3-1601KX	2148N 3 1601KX			N3-3-1601KXB	
N3-3-1641KX	3-3-1641KX	2148N 3 1641KX				
N3-3-1661KX	3-3-1661KX	2148N 3 1661KX				
N3-3-2041KX	3-3-2041KX	2141N 3 2041KX				
N3-3-2431X	3-3-2431X					
N3-3-2471KX	3-3-2471KX	2135N 3 2471KX				
N3-3-2491X	3-3-2491X					
N3-3-2701KX	3-3-2701KX					
N3-3-4261X	3-3-4261X					
N3-3-4281X	3-3-4281X					
N3-3-488KX	3-3-488KX	2135N 3 488KX				
N3-3-508KX	3-3-508KX	2141N 3 508KX			N3-3-508KXB	
N3-3-5431X	3-3-5431X					
N3-3-598KX	3-3-598KX	2135N 3 598KX				
N3-3-6021X	3-3-6021X					
N3-3-758KX	3-3-758KX	2135N 3 758KX				

Neapco #	Spicer #	Meritor #	Transtar #	Precision #	Alternate #	Alternate #
N3-3-788KX	3-3-788KX	2141N 3 788KX				
N3-40-1101	3-40-1101	2135N 40 1101				
N3-40-1391	3-40-1871	2148N 40 1391			N3-40-1871	
N3-40-1471	3-40-1471	2135N 40 1471				
N3-40-1491	3-40-1491	2135N 40 1491				
N3-40-1531	3-40-1531	2135N 40 1531				
N3-40-1561	3-40-1561	2135N 40 1561				
N3-40-1561	3-40-1621					
N3-40-1571	3-40-1571	2148N 40 1571				
N3-40-1611	3-40-1611	2135N 40 1611				
N3-4-178X	3-4-178-1X					
N3-4-283-1	3-4-283-1					
N3-4-5791X	3-4-5791X	2148N 4 5791X				
N3-4-6561-1	3-4-6561-1					
N3-4-6631X	3-4-6631X	2141N 4 6631X				
N3-53-1031	3-53-1031	2141N 53 1031				
N3-53-1181	3-53-1181	2135N 53 1181				
N3-53-1351	3-53-1351	2135N 53 1351				
N3-53-1361	3-53-1361	2141N 53 1361				
N3-53-1371	3-53-1371	2141N 53 1371				
N3-53-1781	3-53-1781					
N3-53-1801	3-53-1801					
N3-53-431	3-53-1821				3-53-07832	
N3-53-451	3-53-451	2148N 53 451				
N3-54-611	3-54-611	2141N 53 611				
N36-30-102-108	36-30-102-10800	2RT 459 7 108				
N36-30-102-72	36-30-102-7400	2RT 459 7 72				
N36-30-22-108	36-30-22-10800					
N36-30-22-72	36-30-22-7300					
N36-30-62-108	36-30-62-10800	2RT 45 10 108				
N36-30-62-72	36-30-62-7400	2RT 45 10 72				
N3R-26-57	-	2R3R 26 57				
N3R-28-157	-	2R3R 28 157				
N3R-2-8268	-	2R3R 2 8268				
N3R-28-305	-	2R3R 28 305				
N3R-28-307	-	2R3R 28 307				
N3R-28-325	-	2R3R 28 325				
N3R-28-327	-	2R3R 28 327				
N3R-28-397	-	2R3R 28 397				
N3R-28-427	-	2R3R 28 427				
N3R-28-437	-	2R3R 28 437				
N3R-28-869	-	2R3R 28 869				
N3R-3-6081X	-	2R3R 3 6081X				
N3R-3-9101X	-	2R3R 3 9101X				
N3R-3-9131X	-	2R3R 3 9131X				
N3R-3-9161X		2R3R 3 9161X				
N3R-3-9165KX		2R3R 3 9165KX				
N3R-83-482		2R3R 83 482				
N4-1-1133	4-1-1133					
N4-1-1133-1	4-1-1133-1					
N4-1-1133-13	4-1-1133-13					
N4-1-1133-2	4-1-1133-2					
N4-1-1133-3	4-1-1133-3					
N4-1-1133-5	4-1-1133-5					
N4-1-1133-6	4-1-1133-6					

U-JOINTS

Neapco #	Spicer #	Meritor #	Transtar #	Precision #	Alternate #	Alternate #
N4-1-1133-8	4-1-1133-8					
N4-1-1143	4-1-1143					
N4-1-1143-1	4-1-1143-1					
N4-2-669	4-2-669	2155N 2 669				
N4-28-307	4-28-307	2155NY53 4				
N4-28-417	4-28-417	2155NY53 5				
N4-3-1241KX	4-3-1241KX	2155N3 1241X			N4-3-1241KXB	
N4-3-1411KX	4-3-1411KX					
N4-40-721	4-40-721	2155N 40 721				
N4-40-761	4-40-761				N4-40-761B	
N4-4-2051	4-4-2051	2155N 4 2051				
N4-4-2051-1	4-4-2051-1	2155TYS24 1				
N4-53-61	4-53-61	2155N 53 61			N4-53-61B	
N4-53-71	4-53-361					
N5-1-873	5-1-873					
N5-1-873-1	5-1-873-1					
N5-1-873-3	5-1-873-3					
N5-1-873-7	5-1-873-7					
N5-1-873-9	5-1-873-9					
N5-1-883	5-1-883					
N5-1-883-1	5-1-883-1					
N5-2-279	5-2-279	216N2 279				
N5-2-709	5-2-709	216NF5				
N5-28-167	5-28-167	216N 28 167				
N5-28-207	5-28-207	216N 28 207				
N5-28-327	5-28-327					
N5-28-627	5-28-627	216N 28 627			N5-28-627B	
N5-3-1411KX	5-3-1411KX	216N 3 1411X				
N5-3-2141KX	5-3-3121KX					
N5-3-2261KX	5-3-2261KX	216N 3 2261X			N5-3-2261KXB	
N5-3-288KX	5-3-288KX	216N 3 288X				
N5-3-368KX	5-3-368KX					
N5-40-1011	5-40-1011	216N 40 1011				
N5-40-1041	5-40-1041					
N5-40-1051	5-40-1051					
N5-40-1191	5-40-1191					
N5-40-501	5-40-501	216N 40 501				
N5-4-1721	5-4-1721	216N 4 1721				
N5-4-1721-1	5-4-1721-1	216N 4 1721 1				
N5-4-1931	-	216N 4 1931				
N5-4-3601X	5-4-3601X	216N 4 3601X				
N5-4-3611X	5-4-3611X	216N 4 3611X				
N5-4-3621	5-4-3621	216N 4 3621				
N5-4-4401	5-4-4401	216N 4 4401				
N5-4-4461	5-4-4461					
N5-4-4491X	5-4-4491X					
N5-4-4541	5-4-4541	216N 4 4541				
N5-4-4551	5-4-4551	216N 4 4551				
N5-4-5721	5-4-5721	216N 4 5721				
N5-4-5731	5-4-7181X					
N5-4-5751	5-4-5751	216N 4 5751				
N5-4-6291X	5-4-6291X	216N 4 6291X				
N5-4-6441-1X	5-4-6441-1X	216TYS32 86A				
N5-4-7171-1	5-4-7171-1					
N5-53-141	5-53-141	216N 53 141				

U-Joints

Neapco #	Spicer #	Meritor #	Transtar #	Precision #	Alternate #	Alternate #
N5-53-191	5-53-191					
N5-53-271	90-53-11					
N5-86-68	5-86-68					
N6.3-2-19	6.3-2-19					
N6.3-28-17	6.3-28-17	2176N 28 17			N6.3-28-17B	
N6.3-3-21KX	6.3-3-21KX	2176N 3 21X			N6.3-3-21KXB	
N6.3-3-41KX	6.3-3-41KX	2176N 3 41X			N6.3-3-41KXB	
N6.3-4-1041-1X	6.3-4-1041-1X	2176TYS38 27A				
N6.3-4-1041X	6.3-4-1041X	2176NYS38 14A				
N6.3-4-1391-1X	6.3-4-1391-1X					
N6.3-4-1521-1X	6.3-4-1521-1X					
N6.3-4-161	6.3-4-161	2176N 4 161				
N6.3-4-161-1	6.3-4-161-1	2176N 4 161 1				
N6.3-4-1681-1	6.3-4-1681-1					
N6.3-4-331-1X	6.3-4-331-1X	2176N 4 331 1X				
N6.3-4-331X	6.3-4-331X	2176N 4 331X				
N6.3-4-391	6.3-4-391	2176N 4 391				
N6.3-4-5221-1X	6.3-4-5221-1X					
N6.3-4-5221X	6.3-4-5221X					
N6.3-4-541-1X	6.3-4-541-1X	2176N 4 541 1X				
N6.3-4-541X	6.3-4-541X	2176N 4 541X				
N6.3-4-641	6.3-4-1281X					
N6.3-4-781-1X	6.3-4-781-1X	2176N4 781 1X				
N6.3-4-781X	6.3-4-781X	2176N 4 781X				
N6.3-4-791-1X	6.3-4-791-1X	2176N 4 791 1X				
N6.3-4-791X	6.3-4-791X	2176N 4 791X				
N6.3-4-821-1	6.3-4-821-1	2176N 4 821 1				
N6.3-53-21	6.3-53-21	2176N 53 21				
N6.3-86-18	6.3-86-18	2SE RUR33 4				
N6.5-1-533	6.5-1-533					
N6.5-1-533-2	6.5-1-533-2					
N6.5-1-533-4	6.5-1-533-4					
N6.5-1-533-6	6.5-1-533-6					
N6.5-2-329	6.5-2-329				N6.5-2-329B	
N6.5-28-117	6.5-28-117	218N 28 117			N6.5-28-117B	
N6.5-28-127	6.5-28-127	218N 28 127				
N6.5-3-1351KX	6.5-3-1351KX	218N 3 1351X			N6.5-3-1351KXB	
N6.5-3-1371KX	6.5-3-1371KX	218N 3 1371X			N6.5-3-1351KXB	
N6.5-40-191	6.5-40-191	218N 40 191			N6.5-40-191B	
N6.5-40-201	6.5-40-201	218N 40 201				
N6.5-4-1891	6.5-4-1891	218N 4 1891				
N6.5-4-2171	6.5-4-2171	218N 4 2171				
N6.5-4-2271X	6.5-4-2271X	218N 4 2271X				
N6.5-4-2531X	6.5-4-2531X	218N 4 2531X				
N6.5-4-2701	6.5-4-2701	218N 4 2701				
N6.5-4-2711X	6.5-4-2711X	218N 4 2711X				
N6.5-4-3221X	6.5-4-3221X	218N 4 3221X				
N6.5-4-3251	6.5-4-4271X					
N6.5-4-3281-1X	6.5-4-3281-1X	218TYS36 11A				
N6.5-4-3281X	6.5-4-3281X	218N 4 3281X				
N6.5-4-3381-1X	6.5-4-3381-1X	218N 4 3381 1X				
N6.5-4-3381X	6.5-4-3381X	218N 4 3381X				
N6.5-4-3441	6.5-4-3441	218NYS38 15				
N6.5-4-3551-1X	6.5-4-3551-1X	218N 4 3551 1X				
N6.5-4-3551X	6.5-4-3551X	218N 4 3551X				

U-JOINTS

U-Joints

Neapco #	Spicer #	Meritor #	Transtar #	Precision #	Alternate #	Alternate #
N6.5-4-3561-1X	6.5-4-3561-1X	218N 4 3561 1X				
N6.5-4-3561X	6.5-4-3561X	218N 4 3561X				
N6.5-4-3591-1	6.5-4-3591-1	218N 4 3591 1				
N6.5-4-3731-1X	6.5-4-3731-1X	218TYS38 27A				
N6.5-4-3731X	6.5-4-3731X	218NYS38 27A				
N6.5-4-3921-1X	6.5-4-3921-1X	218N 4 3921 1X				
N6.5-4-3921X	6.5-4-3921X	218N 4 3921X				
N6.5-4-4571-1X	6.5-4-4351-1X	218N 4 4351 1X				
N6.5-4-4631-1	6.5-4-4631-1					
N6.5-53-171	6.5-53-171	218N 53 171				
N6.5-53-181	6.5-53-181					
N6.5-53-51	6.5-53-51	218N 53 51				
N6.5-53-91	6.5-53-91	218N 53 91			N6.5-53-91B	
N6.5-86-38	6.5-86-38					
N6-1-1253	6-1-1253					
N6-1-1253-1	6-1-1253-1					
N6-1-1253-3	6-1-1253-3					
N6-1-1253-4	6-1-1253-4					
N6-1-1253-6	6-1-1253-6					
N6-2-739	6-2-739	217N 2 739				
N6-2-749	6-2-749	217NF20			N6-2-749B	
N6-28-137	6-28-137	217N 28 137				
N6-28-347	6-28-347	217N 28 347			N6-28-347B	
N6-28-407	6-28-407	217N 28 407				
N6-3-2651KX	6-3-2651KX	217N 3 2651X			N6-3-2651KXB	
N6-3-2671KX	6-3-2671KX	217N 3 2671X			N6-3-2671KXB	
N6-40-521	6-40-521	217N 40 521			N6-40-521B	
N6-40-541	6-40-541	217N 40 541			N6-40-541B	
N6-40-621	6-40-621					
N6-40-631	6-40-631					
N6-40-741	6-40-741					
N6-4-1981	6-4-1981	217N 4 1981				
N6-4-1981-1	6-4-1981-1	217TYSC31 54				
N6-4-1991	6-4-1991	217N 4 1991				
N6-4-2141	6-4-2141	217N 4 2141				
N6-4-2381	6-4-2381	217N 4 2381				
N6-4-2391	6-4-2391	217N 4 2391				
N6-4-2441	6-4-2441	217N 4 2441				
N6-4-3031	6-4-3031	217N 4 3031				
N6-4-3041X	6-4-3041X	217N 4 3041X				
N6-4-3241	6-4-3241	217N 4 3241				
N6-4-3611	6-4-3611	217N 4 3611				
N6-4-3791	6-4-3791	217N 4 3791				
N6-4-4091	6-4-4091	217N 4 4091			N6-4-4831X	N6-4-4841X
N6-4-4291X	6-4-4291X	217N 4 4291X				
N6-4-4411X	6-4-4411X	217N 4 4411X			N6-4-4191X	
N6-4-4551	6-4-4551	217N 4 4551				
N6-4-4561	6-4-4561	217N 4 4561				
N6-4-4601	6-4-4601	217N 4 4601				
N6-4-4601-1	6-4-4601-1	217N 4 4601 1				
N6-4-4741X	6-4-4741X	217N 4 4741X				
N6-4-4831X	6-4-4831X	217N 4 4831X				
N6-4-5041X	6-4-5041X	217N 4 5041X				
N6-4-5071X	6-4-5071X	217N 4 5071X				
N6-4-5131X	6-4-5131X	217N 4 5131X				

Neapco #	Spicer #	Meritor #	Transtar #	Precision #	Alternate #	Alternate #
N6-4-5151	6-4-5141	217N 4 5141				
N6-4-5151X	6-4-5151X					
N6-4-5461X	6-4-5461X	217N 4 5461X				
N6-4-5711	6-4-7191X					
N6-4-5791	6-4-5791	217N 4 5791				
N6-4-5991	6-4-5991	217N 4 5991				
N6-4-6001X	6-4-6001X	217N 4 8531X				
N6-4-6021X	6-4-6021X	217N 4 6021X				
N6-4-6041-1X	6-4-6041-1X	217N 4 6041 1X				
N6-4-6041X	6-4-6041X	217N 4 8551X				
N6-4-6331	6-4-6331	217N 4 6331				
N6-4-6371	6-4-6371	217NYS32 99				
N6-4-6371-1	6-4-6371-1	217TYS32 99				
N6-4-6391-1X	6-4-6391-1X	217TYS32 99A				
N6-4-6391X	6-4-6391X	217N 4 6391X				
N6-4-6401	6-4-6401	217NYS32 100				
N6-4-6411X	6-4-6411X	217N 4 6411X				
N6-4-6421X	6-4-6421X	217NYS32 100A				
N6-4-6451	6-4-6451	217N 4 6451				
N6-4-6481	6-4-6481	217N 4 6481				
N6-4-6841X	6-4-6841X	217N 4 6841X				
N6-4-6871X	6-4-6871X	217N 4 6871X				
N6-4-6921	6-4-6921X	217N 4 6921X				
N6-4-6921-1X	6-4-6921-1X	217N 4 6921 1X				
N6-4-6931-1X	6-4-6931-1X	217N 4 6931 1X				
N6-4-6931X	6-4-6931X	217N 4 6931X				
N6-4-6941X	6-4-6941X	217N 4 6941X				
N6-4-6951X	6-4-6951X	217N 4 6951X				
N6-4-7141-1	6-4-7141-1	217N 4 7141 1				
N6-4-7181-1X	6-4-7181-1X	217N 4 7181 1X				
N6-4-7181X	6-4-7181X	217N 4 7181X				
N6-4-7481-1	6-4-7481-1					
N6-4-7541	6-4-7541	217N 4 7541				
N6-4-7561X	6-4-7561X	217NYS34 19A1				
N6-4-7631-1X	6-4-7631-1X	217N 4 7631 1X				
N6-4-7641-1X	6-4-7641-1X	217N 4 7641 1X				
N6-4-7771X	6-4-7771X	217NYS38 38A				
N6-4-8331-1X	6-4-8331-1X					
N6-4-8511X	6-4-8511X					
N6-4-8521X	6-4-8521X	217N 4 8521X				
N6-4-8531X	6-4-8531X	217N 4 8531X				
N6-4-8551X	6-4-8551X					
N6-4-8681-1	6-4-8681-1					
N6-4-8681-1X	6-4-8681-1X					
N6-4-8991-1X	6-4-8991-1X					
N6-4-9001-1X	6-4-9001-1X					
N6-53-151	6-53-151	217N 53 151				
N6-53-201	6-53-201	217N 53 201			N6-53-201B	
N6-53-241	6-53-241					
N6-53-311	6-53-311	217N 53 311			N6-53-311B	
N6-53-411	6-53-411	217N 53 411				
N7703-SF	7703-5204SF					
N8-40-101	8-40-101	2PS48 16 16				
N8-68-13	8-68-13					
N903862-1409W	903862-1409	2R903862 1409W				

U-JOINTS

Neapco #	Spicer #	Meritor #	Transtar #	Precision #	Alternate #	Alternate #
N903862-1602W	903862-1602	2R903862 1602W				
N90-70-28X	90-70-28X					
N909363-2600	909363-2600	2R909363 2600			5009643-2600	
N909365-2600	909365-2600	2R909365 2600			5009642-2600	
N911818-2600	911818-2600	2R911818 2600			5009645-2600	
N912170-1511W	912170-1511	2R912170 1511W				
N91382-SF	-	2R91382SF				
N914156-1324W	-	2R914156 1324W				
N9553-SF	9553-4724	2R9553SF				
N98-1361	98-1361	2DEFR47 3				
ND2C	D2C	2ND2C				
ND2K	D2K					
ND3A	D3A	2ND3A				
ND3E	D3E					
ND3G	D3G					
ND3H	D3H	2DC148N 1				
ND3K	D3K	2DC141N 1				
ND4J	D4J	2DC155N 1				
ND4K	D4K					
S912170-1803W	912170-1803	2R912170 1803W				
S91397-2000	913971-2600	2R91397 2000				
N/A	5-297X	2CP297X				
N/A	5-101X	2CP101X	UJ512	340		
N/A	5-111X	2CP111X				
N/A	101V	2GCP 101X				
N/A	10-32-92-10800	2RT 125 11 108				
N/A	10-32-92-5400	2RT 125 11 72				
N/A	10-4-611	210N 4 611				

U-Joints