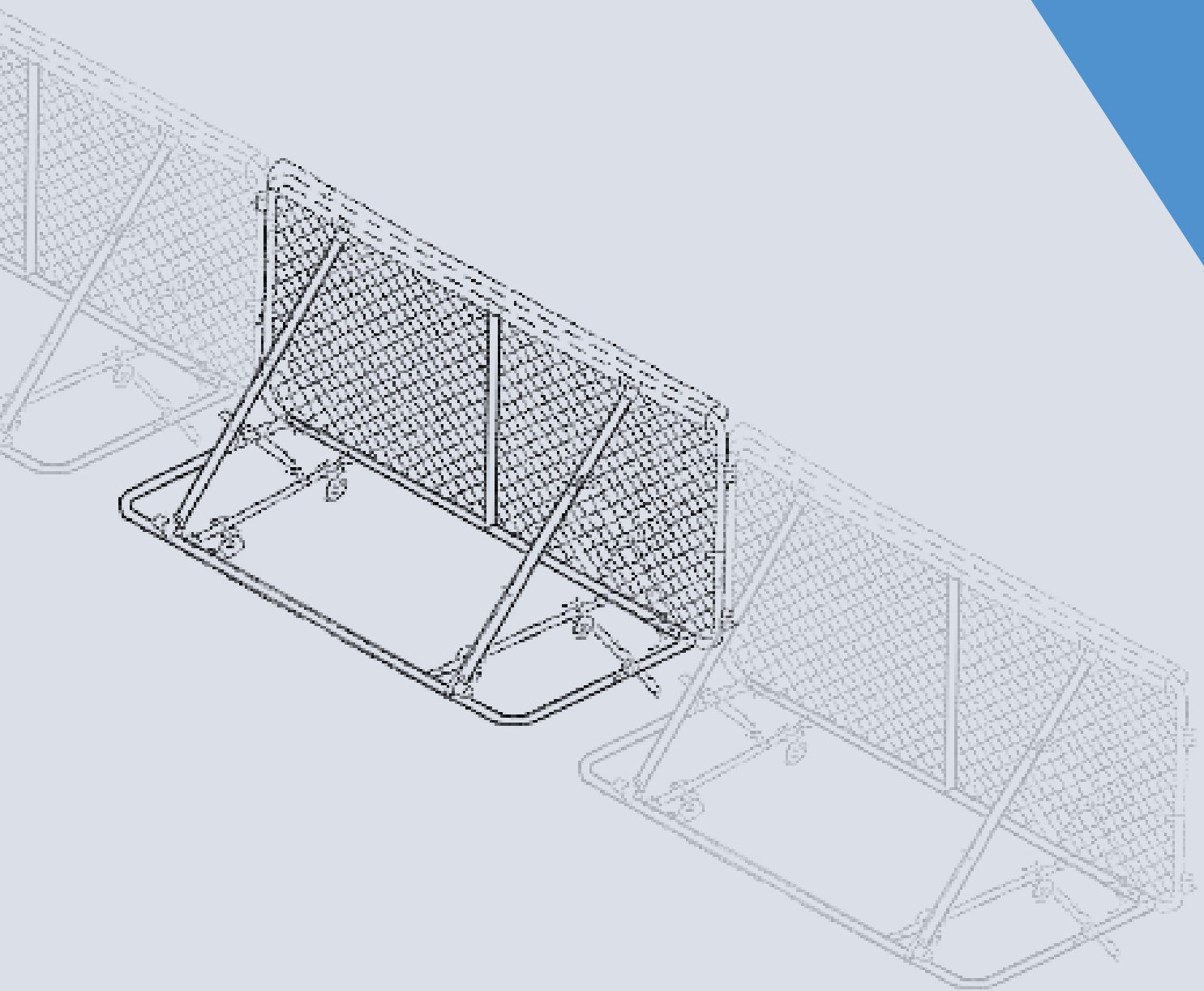


Owner's Manual



Maintenance & Storage

Maintenance Requirements:

There is minimum upkeep for SportaFence®. However, several items should be checked annually. The framework is galvanized, but the welds are not. After the frame is welded together, all of the welds are cleaned, primed and painted to match the silver color of the frame. There will be some rusting of the welds which can be cleaned up with a wire brush and touched-up using a cold galvanizing spray paint. Fertilizers may exacerbate rust. Cold galvanizing paint should be applied if significant rust results. The wheels have a Zerk fitting that should be greased annually, at the beginning of each year. The fence panel should be checked to make sure that all the tie wires that hold the fence fabric to the frame are tight and have not broken off. Loose ties can be tightened with pliers. Annually, inspect the bands that hold the fabric to the frame on each end of each panel, ensuring that the nuts are tight and that the bar that runs through the end of the chain link fabric has not slipped down. If this is the case then the bar should be put back into proper position and the nuts tightened.

Storage Suggestions:

For SportaFence® winter storage, pull the bolt out of the top of each brace and fold them down, so they lay along the back of the base frame. Note: When the pins are removed, the fence panel will be unsupported. Prior to removing pins, have bracing ready. Pull the pins that hold the base frame to the fence panel. After pulling the pins, the fence panel and base frame will pull apart along with the two wheel axles. The fence panels may be stacked in a location suitable for storage. All of the frames are interchangeable so SportaFence® panels may be easily be reassembled for the sport season or special event. SportaFence® shipping rack can be used for storage.

SportaFence

Assembly Instructions

1. Carefully unwire each panel and component one at a time, making sure to remove each one from the rack so they don't fall and hurt someone. **Note: Assembly requires two people!**
2. Take diagonal brace (D) (2 each) and bolt them to base (B).
3. Take the chain link panel (A), and lay it flat on the ground. Then take base (B), with the diagonal braces (D) attached and with the two quick latch pins and attach base (B) to panel (A). Then attach diagonal braces (D) to top of panel (A) with the attached bolt.
4. Installing the axles: Stand the panel upright with base (B) sitting flat on the ground. Make sure you have the left axle on the left side. When the wheels are down and the panels is in the rolling position, the axle handle will be closest to the panel (A) and the handle will extend outward so it can look into the (C) hook on base (B).

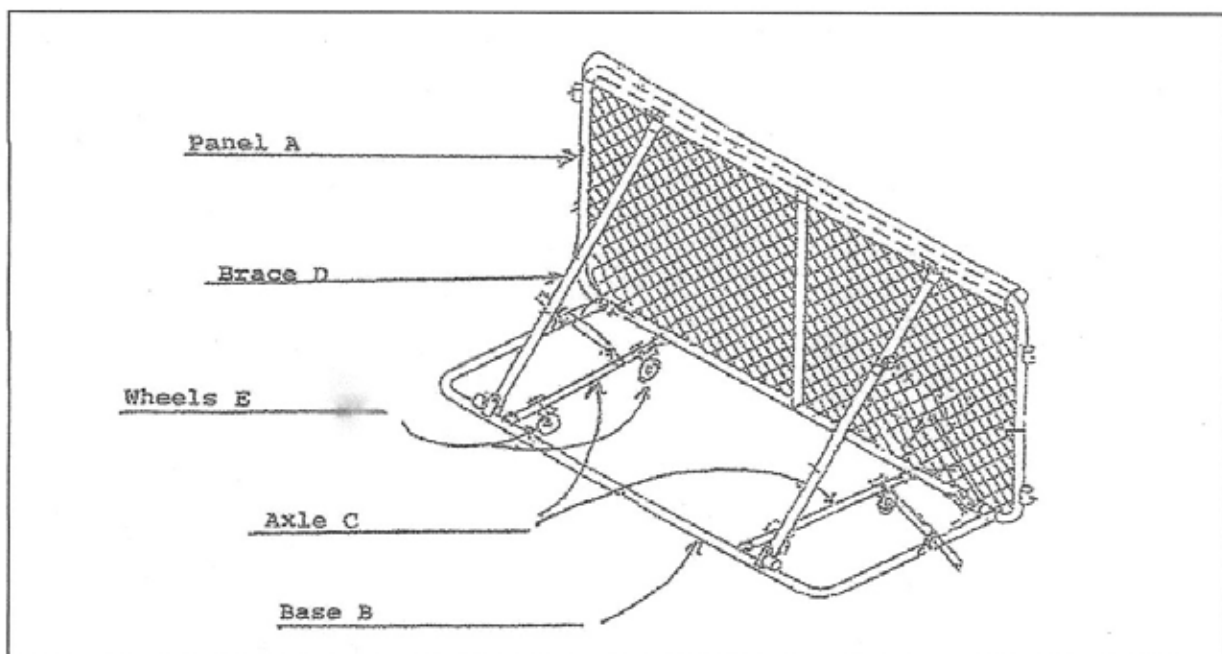
Now with the proper axle take the end away from the axle handle and slip into the longer receiver on the back of base (B). Once that is slipped in far enough, slip the other end into the receiver on the panel (A). When that is in you can slip a quick latch pin and slip it through the receiver, on the base (B) end, behind the axle, to prevent the axle from coming out.

Now do the same steps with the other axle.

5. Installing the baseball cap: It is best to let the yellow cap warm in the sun for a while. It will be more flexible and easier to install.

Take a section of the yellow cap and open it enough to put the install tool in place. Place the cap with tool started and place on top of the panel lined up with final position of the cap. As the cap goes on push it all the way down onto the panel with one person holding it in place and another pulling the tool along the top of the panel being careful where the cap has notches in it for the diagonal braces. Once in place add five zip ties to each panel.

Your panel is now put together with the connecting pin you can link the panels together on the field and now you are ready to play ball.



Product Warranty

Product Description and Coverage

The SportaFence® portable outfield fence is constructed of commercial-grade fencing materials to provide many years of successful operation as an outfield fence for baseball, softball, little league, youth league baseball, and temporary fencing for special events. This revolutionary new patent-pending device is designed to sustain the “game like” impacts that may normally occur during the course of baseball or softball games. It is also designed to absorb normal and routine contact when used as a barrier for special event uses.

The SportaFence® device is primarily designed for the purpose of functioning as a portable temporary fencing or barrier system for special events and as a portable outfield fence for baseball and/or softball diamonds. As such, the use of the SportaFence® for other non-compatible purposes for which it was not designed or intended may void this warranty.

This warranty agreement guarantees that the SportaFence® will function as intended and the manufacturer will fix, repair, and/or replace defective part(s) should the parts cease to function through normal and reasonable use, movement, transit or transportation of the Sporta-Fence® product.

Normal and reasonable use is defined herein as using the SportaFence® as a portable outfield fence device during sporting events such as baseball or softball at any level of play (youth leagues, Little Leagues, high school, college, tournaments, etc).

When using the wheel system as intended, the SportaFence® can be moved in single unit panels or in multiple unit panels; however, the manufacturer recommends no more than a maximum of five panels be moved at a time. Transport is expected to be across reasonably smooth, flat, and level ground without impediments; ground conditions which are consistent with typical smooth and level manicured athletic fields. Please note, the SportaFence® is not designed to carry the additional weight of any materials, objects, or persons.

Terms on Coverage

Parts guaranteed and covered by this warranty agreement include the SportaFence® frame, the barrier fabric (typically made of chain link material), the bracing system, the wheel system, the wheels, the connecting rods, the welds, and the nuts and bolts holding the device together.

The manufacturer of the SportaFence® device will unconditionally replace or repair any of the above for a period of one year from the date of delivery provided said damage was not attributed to said exclusions noted above.

Please note, any attendant or additional charges, fees, taxes, or tariffs (such as shipping fees) may be the responsibility of the buyer or owner, user, or person requesting warranty coverage of the SportaFence® device. Such charges are not included as a part of this warranty agreement, and the responsible party may be asked to cover such expenses in advance and prior to delivery or repair of the damaged part(s).

After the first year (one calendar year from the date of delivery) the cost of repair and/or replacement of parts will be covered on a prorated basis. For the purposes of this warranty, the costs shall be allocated as follows:

- **2nd year:** Manufacturer shall pay for 75% of the eligible retail costs of replacement and/or repair.
- **3rd year:** Manufacturer shall pay 50% of the eligible retail costs of replacement and/or repair.
- **4th year:** Manufacturer shall pay 25% of the eligible retail costs of replacement and/or repair.

Cost of repair shall be determined by market conditions of materials or labor at the time of damage, and not based on the cost of materials at the time of manufacture as materials for the construction of the SportaFence® can and do fluctuate depending on various market forces beyond the control of the manufacturer.



Exclusions

Repairs, replacement, or damages under this warranty may exclude certain conditions for which the manufacturer of the SportaFence® device will not be held liable or responsible. These certain conditions include but are not limited to the following:

- Moving the SportaFence® over rough and uneven ground, Moving the SportaFence® over undulated surfaces (such as dips, hills, rises, curvatures,
- Moving the SportaFence® over curbs, gutters, speed bumps, railings, railroad tracks, or any other similar impediments that would make an otherwise flat surface unsmooth or uneven,
- Hitting baseballs or softballs into the fence from a short distance intentionally or unintentionally as in games of «pepper» or using it as a barrier for batting practice or toss up or any such close range activity where a baseball or softball or any other hard object could be directed into the SportaFence® from the front or the back and thus cause damage to the fabric or frame or any other part of the device.
- Deliberately throwing baseballs, softballs, or any other hard object into the SportaFence® at close range and with enough force or potential force to dent, damage, bend, disable, or deface. This includes using the SportaFence® for a backstop when warming up throwing arms or pitching or any other circumstance that could cause a ball to be thrown into the fence intentionally or not except for activity that occurs during the normal course of a baseball or softball game.
- Collisions with the fence with other than a human body during normal playing conditions. The SportaFence® is designed to withstand the force of a human body running or colliding with it under normal playing conditions. Purposely running into, colliding with, or impacting the fence from the «backside» or non-playing side, climbing on the fence, having multiple persons colliding with, impacting, sitting on, or otherwise inappropriately making contact with the fence.
- Impacts from non-human sources such as but not limited to bats, pipes, clubs, spikes, rocks, stones, wood, lumber, cars, trucks, carts, concrete, lawnmowers, picks, shovels, hammers, blades, cutters, shears, barriers, or any other hard object or objects capable of denting, scratching, bending or damaging the SportaFence® in any way not otherwise listed whether said object is known to be capable of causing damage or the SportaFence® or not.



Filing Requirements for Warranty Coverage

Photos and a detailed description of the damage and date of occurrence, and a detailed explanation of the circumstances under which the damage occurred are necessary to determine eligibility of coverage under this warranty.

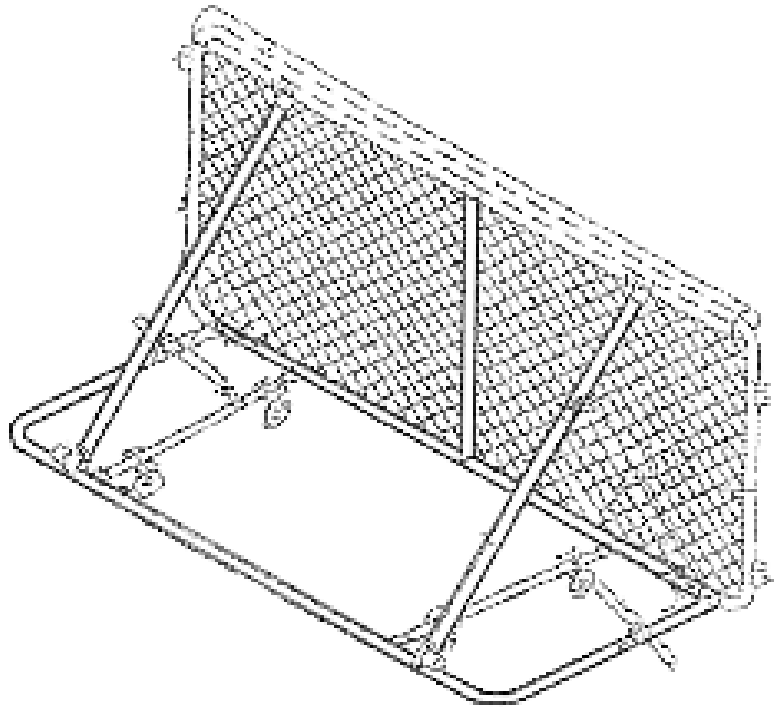
Information must be submitted to:

SportaFence Holdings Inc.

11123 Upper 33rd St N,

Lake Elmo, MN 55042

1-888-201-2578





SPORTAFENCE

WWW.SPORTAFENCE.COM

©2021 SportaFence® All Rights Reserved.