



FT-SL-15 INSTRUCTION MANUAL

Pole Mounted Scene Lights

FT-SL-15 & FT-SL-X-15



HiViz LED Lighting
HiViz Lighting, Inc
Phone: 703-662-3458
Email: sales@hivizleds.com
PO Box 565, Naples, NC 28760



TABLE OF CONTENTS

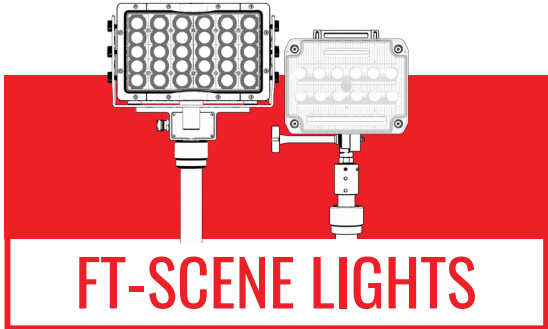
Safety Notice & Warranty.....3

What's Included.....4

Technical Specifications.....5

Wiring Information.....6-7

Installation Instructions.....8



SAFETY NOTICE & WARRANTY

WARNING: INSTALLATION MUST BE CONDUCTED BY A QUALIFIED TECHNICIAN.

IMPROPER INSTALLATION CAN RESULT IN INJURY OR DEATH.

- Installation must be conducted by a qualified automotive electrician or emergency vehicle technician in accordance with the applicable NFPA standard(s) and procedures (Including but not limited to NFPA 1901, 1906, 1911, 414, 1900)
- Improperly installed, aimed, or operated lights can create significant hazard to motorists which can result in collision. Ensure light fixtures are installed and operated such that their beam does not shine into oncoming traffic
- All circuits must be fused at 125% of the rated power consumption of the loads on the circuit
- A voltage drop greater than 10% in the power feed to a fixture could be an indicator of an under-sized conductor. Use of improperly sized conductors will, at a minimum, result in poor performance, and at a maximum could result in fire
- Verify input voltage is within fixture range before installation. Voltage range information can be found in this manual or printed on the fixture body
- The use of personal protective equipment (safety glasses and gloves) is highly recommended
- Allow proper cooling time before handling the fixture if it has been installed & powered to prevent burns
- Any modifications to the fixture will void warranty and are not authorized by the manufacturer
- Always inspect the fixture for any damage prior to installing and DO NOT install if any damage is present



PLEASE READ ALL INSTRUCTIONS BEFORE INSTALLATION

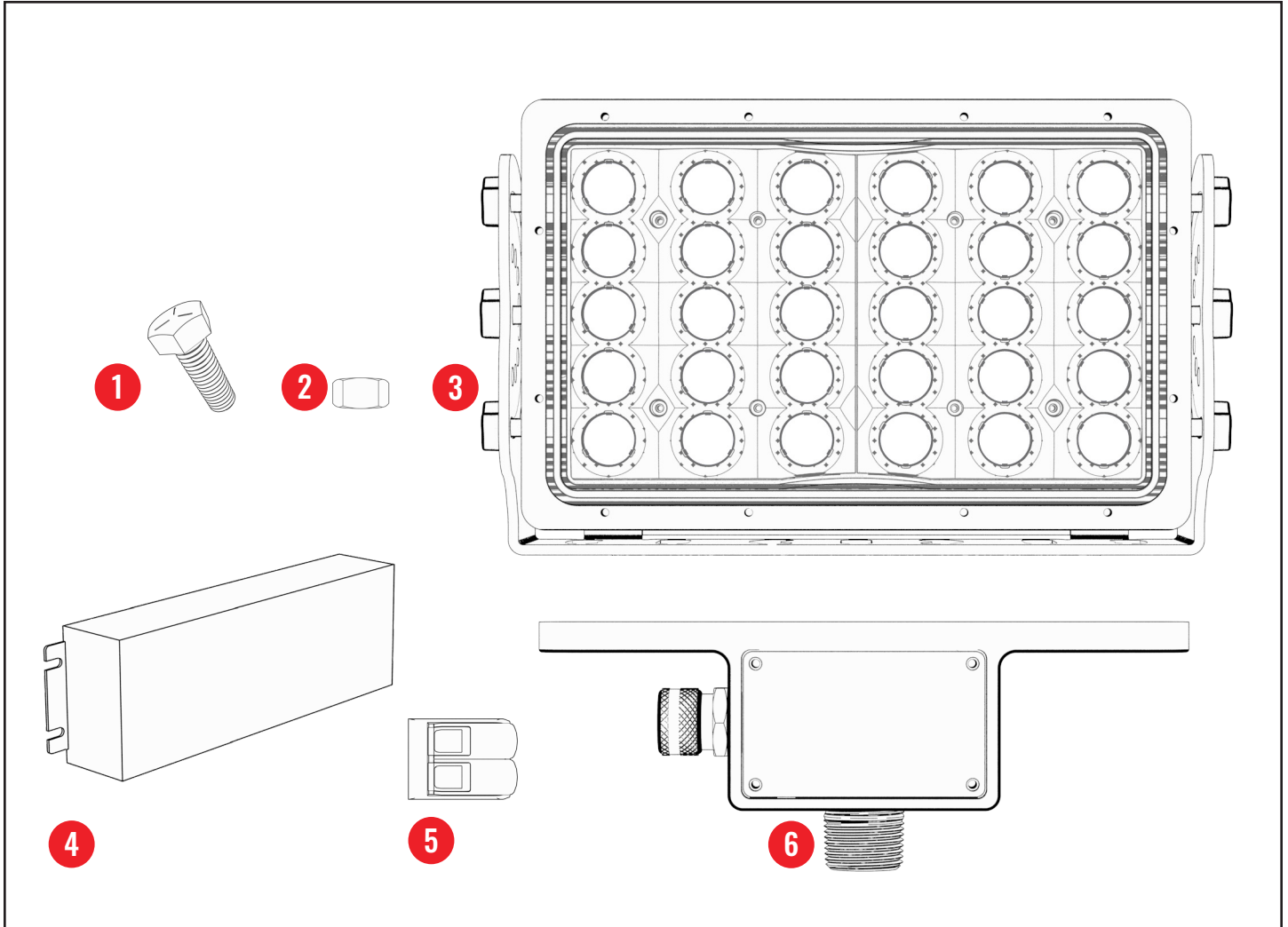


Warranty Information: Full policy available Online at www.hivizleds.com/warranty

- Proof of purchase may be required to validate warranty. All FireTech products are warranted for the useful service life of the vehicle for which they were first installed
- Improper installation, accident, physical damage, neglect, and normal wear and tear are not covered under warranty
- Lights operated in environments over 150° Fahrenheit are not covered under warranty
- All advance-exchange warranty claims must be validated with HiViz Technical Support prior to issuance of a shipping label. Failure to return defective product will result in an invoice for the full replacement value of the product
- HiViz Lighting will repair or replace defective product at its discretion. Replacement product will be in similar or better cosmetic condition than the defective part
- Warranties should be handled through the dealer/reseller the product was purchased from; customer is responsible for delivery
- If product is found to have damage not covered under warranty, customer will be responsible for return shipping charges and/or cost of repair
- Non-warranted items can be repaired at the customer's expense of parts and labor, at the discretion of HiViz LED Lighting, who will provide an estimated repair cost before proceeding with the repair



WHAT'S INCLUDED



PIECES INCLUDED

- | | |
|------------------------|--------------------------------|
| 1 Bolt | 4 Power Supply |
| 2 Nut | 5 Wago (3 Total) |
| 3 Light Fixture | 6 Pole Mounting Adaptor |

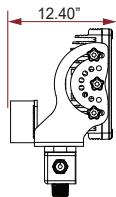
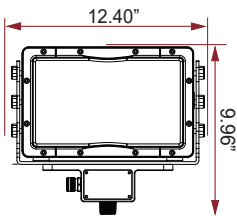
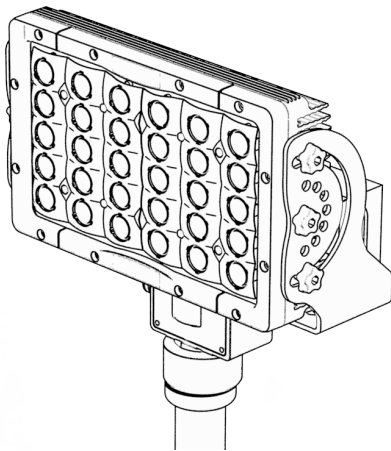
TOOLS REQUIRED

- 5/64 Allen Wrench
- Wire Strippers



TECHNICAL SPECIFICATIONS

20,000 RAW LUMEN LED SCENE LIGHT



FT-SL-15 / FT-SL-X-15

LEDS	30 X 5W
RAW LUMENS	20,000
EFFECTIVE LUMENS	11,888
OPT. HOUSING COLORS	BLACK OR WHITE
OPT. BEAM PATTERNS	SPOT, FLOOD, COMBO
DIMENSIONS	11.75" X 7.54" X 4.94"
WATTAGE	150W
AMP DRAW (@12V)	12.5A
INPUT VOLTAGE	11-65V DC OR 90-277V AC

*FOR UPGRADED OUTPUT SEE "X" SPECS BELOW

LEDS	30 X 7W
RAW LUMENS	28,000
EFFECTIVE LUMENS	15,305
OPT. HOUSING COLORS	BLACK OR WHITE
OPT. BEAM PATTERNS	SPOT, FLOOD, COMBO
DIMENSIONS	11.75" X 7.54" X 4.94"
WATTAGE	185W
AMP DRAW (@12V)	15.4A
INPUT VOLTAGE	11-65V DC OR 90-277V AC

CONFIGURE PART

AVAILABLE BEAM PATTERNS

S=SPOT
LONG DISTANCE

F=FLOOD
AMPLE COVERAGE

FT=FIREFTECH OPTICS
BEST OF BOTH

AVAILABLE OUTPUT AND POWER OPTIONS

"X" DESIGNATES 7W LEDES - HIGH OUTPUT

"110" DESIGNATES 90-277V AC POWER

SWITCH OR NO SWITCH OPTION

"SW" DESIGNATES SWITCH OPTION

HOUSING COLOR OPTIONS

W=WHITE B=BLACK

(OPT) | BEAM | (OPT) | HOUSING | SWITCH
(OPT. GEN) | | | | |
↓ ↓ ↓ ↓ ↓
FT-SL-X-15-110- - -
S F FT B W

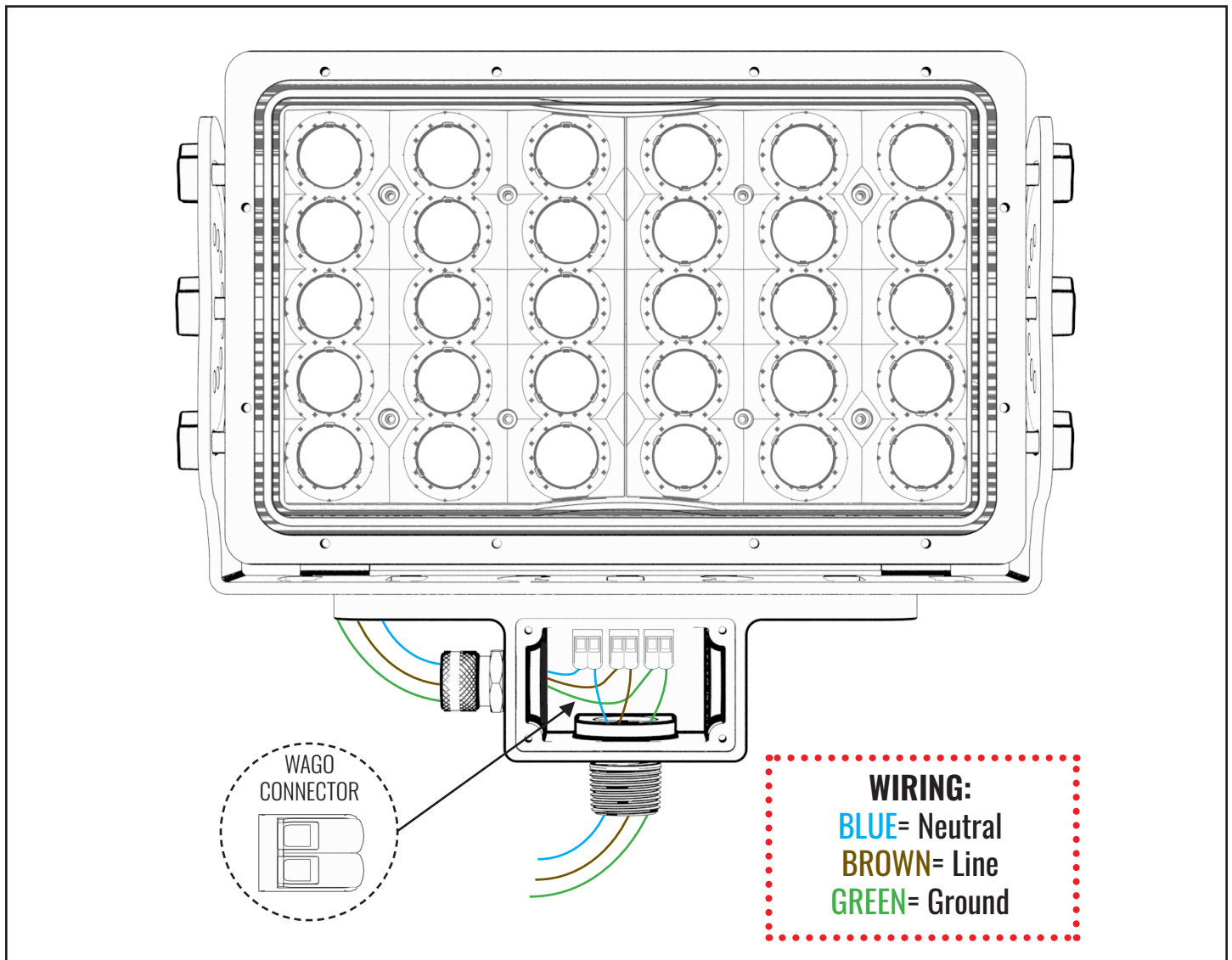
EXAMPLE CONFIGURATION

FT-SL-15-F-110-W-SW

SCENE LIGHT - 30 LED - FLOOD BEAM
AC POWER MODULE - WHITE HOUSING-SWITCH



AC WIRING INFORMATION



DC

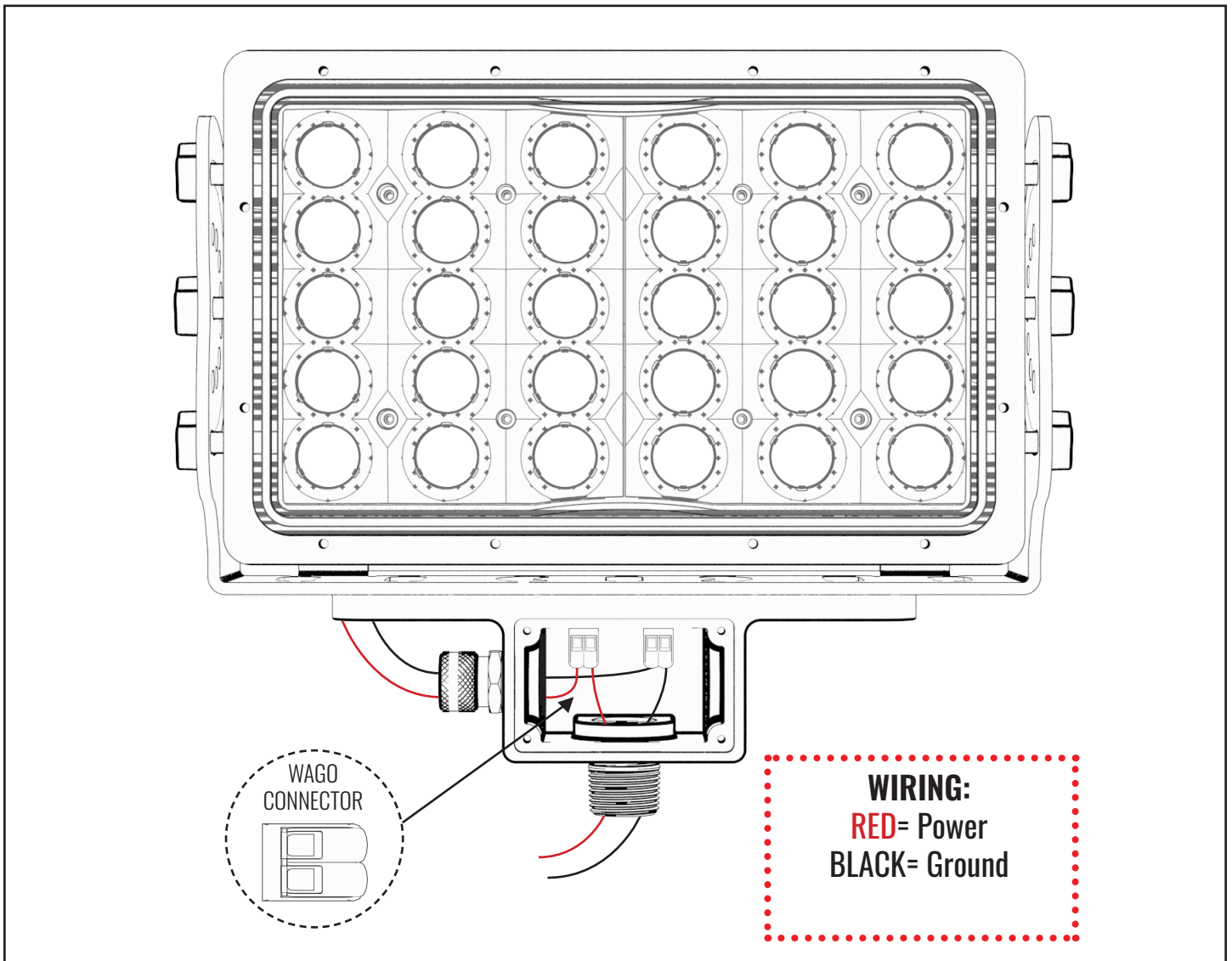
- FT-SL-15 - 12.5 A - 15 A
- FT-SL-X-15 - 15.41 A - 20 A

AC

- FT-SL-15 - 1.254 A
- FT-SL-X-15 - 15.4 A

- Available in AC or DC
- Power supply for the AC configuration attaches to the back of the light fixture mounting bracket
- All connections made in junction box

DC WIRING INFORMATION



DC

- FT-SL-15 - 12.5 A - 15 A
- FT-SL-X-15 - 15.41 A - 20 A

AC

- FT-SL-15 - 1.254 A
- FT-SL-X-15 - 15.4 A

- Available in AC or DC
- Power supply for the AC configuration attaches to the back of the light fixture mounting bracket
- All connections made in junction box



INSTALLATION INSTRUCTIONS (AC & DC)

1. Unscrew old light from the pole, disconnect old wiring.
2. Prepare the new light by opening the junction box access cover and bringing it next to the pole.
3. Pull old wiring up and into the junction box on new light fixture, and align the threads of the new fixture with the old pole.
4. Carefully thread the new fixture onto the old pole, being cautious as to not damage or pinch the wires while tightening the light.
5. Tighten the light until snug, or until the fixture bottoms out in the fitting. Depending on the model of pole, tightening the set screws may be required.
6. Once the light is securely mounted, proceed to connect wiring. **BE SURE THE CIRCUIT IS NOT LIVE WHEN MAKING CONNECTIONS.**
 - 6a. On AC fixtures, The green wire is for ground, the brown wire is for line, and the blue wire is for neutral.
 - 6b. On DC fixtures, the red wire is for power, the black wire is for ground.
7. Before reinstalling panel cover, inspect wiring for any nicks or abrasions. Test fixture operation.
8. Once proper operation is verified, reinstall junction box access cover.



SL-15 Product Page

Below, **Blue Sea Systems** has provided a chart documenting proper wire size selections for automotive applications. NFPA 1901 13.2.1.1 allows for up to 10% voltage drop on automotive fire apparatus. Please be sure to reference proper conductor size below. Visit blueseasystems.com for more information.

CIRCUIT LENGTH	CIRCUIT TYPE				CURRENT FLOW IN AMPS																	
	10% VOLTAGE DROP Non Critical		3% VOLTAGE DROP Critical		5A	10A	15A	20A	25A	30A	40A	50A	60A	70A	80A	90A	100A	120A	150A	200A		
	0 to 20 ft.	0 to 6.1 M	0 to 6 ft.	0 to 1.8 M	16 AWG	14 AWG	12 AWG	10 AWG	8 AWG	6 AWG	4 AWG	2 AWG	1 AWG	0 AWG	2 0 AWG	3 0 AWG	4 0 AWG	2 AWG	1 AWG	0 AWG	2 0 AWG	3 0 AWG
30 ft.	9.1 M	10 ft.	3.0 M	16 AWG	14 AWG	12 AWG	10 AWG	8 AWG	6 AWG	4 AWG	2 AWG	1 AWG	0 AWG	2 0 AWG	3 0 AWG	4 0 AWG	2 AWG	1 AWG	0 AWG	2 0 AWG	3 0 AWG	4 0 AWG
50 ft.	15.2 M	15 ft.	4.6 M	14 AWG	12 AWG	10 AWG	8 AWG	6 AWG	4 AWG	2 AWG	1 AWG	0 AWG	2 0 AWG	3 0 AWG	4 0 AWG	2 AWG	1 AWG	0 AWG	2 0 AWG	3 0 AWG	4 0 AWG	2 0 AWG
65 ft.	19.8 M	20 ft.	6.1 M	12 AWG	10 AWG	8 AWG	6 AWG	4 AWG	2 AWG	1 AWG	0 AWG	2 0 AWG	3 0 AWG	4 0 AWG	2 AWG	1 AWG	0 AWG	2 0 AWG	3 0 AWG	4 0 AWG	2 0 AWG	3 0 AWG
80 ft.	24.4 M	25 ft.	7.6 M	10 AWG	8 AWG	6 AWG	4 AWG	2 AWG	1 AWG	0 AWG	2 0 AWG	3 0 AWG	4 0 AWG	2 AWG	1 AWG	0 AWG	2 0 AWG	3 0 AWG	4 0 AWG	2 0 AWG	3 0 AWG	4 0 AWG
100 ft.	30.5 M	30 ft.	9.1 M	8 AWG	6 AWG	4 AWG	2 AWG	1 AWG	0 AWG	2 0 AWG	3 0 AWG	4 0 AWG	2 AWG	1 AWG	0 AWG	2 0 AWG	3 0 AWG	4 0 AWG	2 0 AWG	3 0 AWG	4 0 AWG	2 0 AWG
130 ft.	39.6 M	40 ft.	12.2 M	6 AWG	4 AWG	2 AWG	1 AWG	0 AWG	2 0 AWG	3 0 AWG	4 0 AWG	2 AWG	1 AWG	0 AWG	2 0 AWG	3 0 AWG	4 0 AWG	2 0 AWG	3 0 AWG	4 0 AWG	2 0 AWG	3 0 AWG
165 ft.	50.3 M	50 ft.	15.2 M	4 AWG	2 AWG	1 AWG	0 AWG	2 0 AWG	3 0 AWG	4 0 AWG	2 AWG	1 AWG	0 AWG	2 0 AWG	3 0 AWG	4 0 AWG	2 0 AWG	3 0 AWG	4 0 AWG	2 0 AWG	3 0 AWG	4 0 AWG
200 ft.	61.0 M	60 ft.	18.3 M	2 AWG	1 AWG	0 AWG	2 0 AWG	3 0 AWG	4 0 AWG	2 AWG	1 AWG	0 AWG	2 0 AWG	3 0 AWG	4 0 AWG	2 0 AWG	3 0 AWG	4 0 AWG	2 0 AWG	3 0 AWG	4 0 AWG	2 0 AWG
		70 ft.	21.3 M	1 AWG	0 AWG	2 0 AWG	3 0 AWG	4 0 AWG	2 AWG	1 AWG	0 AWG	2 0 AWG	3 0 AWG	4 0 AWG	2 0 AWG	3 0 AWG	4 0 AWG	2 0 AWG	3 0 AWG	4 0 AWG	2 0 AWG	3 0 AWG
		80 ft.	24.4 M	0 AWG	2 0 AWG	3 0 AWG	4 0 AWG	2 AWG	1 AWG	0 AWG	2 0 AWG	3 0 AWG	4 0 AWG	2 0 AWG	3 0 AWG	4 0 AWG	2 0 AWG	3 0 AWG	4 0 AWG	2 0 AWG	3 0 AWG	4 0 AWG
		90 ft.	27.4 M	2 0 AWG	3 0 AWG	4 0 AWG	2 AWG	1 AWG	0 AWG	2 0 AWG	3 0 AWG	4 0 AWG	2 0 AWG	3 0 AWG	4 0 AWG	2 0 AWG	3 0 AWG	4 0 AWG	2 0 AWG	3 0 AWG	4 0 AWG	2 0 AWG
		100 ft.	30.5 M	3 0 AWG	4 0 AWG	2 AWG	1 AWG	0 AWG	2 0 AWG	3 0 AWG	4 0 AWG	2 0 AWG	3 0 AWG	4 0 AWG	2 0 AWG	3 0 AWG	4 0 AWG	2 0 AWG	3 0 AWG	4 0 AWG	2 0 AWG	3 0 AWG
		110 ft.	33.5 M	4 0 AWG	2 AWG	1 AWG	0 AWG	2 0 AWG	3 0 AWG	4 0 AWG	2 0 AWG	3 0 AWG	4 0 AWG	2 0 AWG	3 0 AWG	4 0 AWG	2 0 AWG	3 0 AWG	4 0 AWG	2 0 AWG	3 0 AWG	4 0 AWG
		120 ft.	36.6 M	2 0 AWG	3 0 AWG	4 0 AWG	2 AWG	1 AWG	0 AWG	2 0 AWG	3 0 AWG	4 0 AWG	2 0 AWG	3 0 AWG	4 0 AWG	2 0 AWG	3 0 AWG	4 0 AWG	2 0 AWG	3 0 AWG	4 0 AWG	2 0 AWG
		130 ft.	39.6 M	3 0 AWG	4 0 AWG	2 AWG	1 AWG	0 AWG	2 0 AWG	3 0 AWG	4 0 AWG	2 0 AWG	3 0 AWG	4 0 AWG	2 0 AWG	3 0 AWG	4 0 AWG	2 0 AWG	3 0 AWG	4 0 AWG	2 0 AWG	3 0 AWG

