

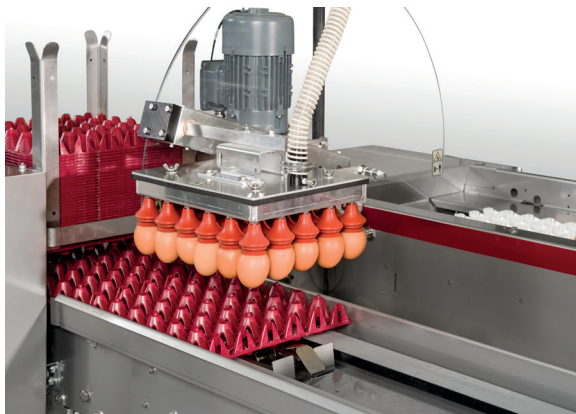
Think
ahead with
**poultry
people**

Prinzen 50

Automatic egg packer



The Prinzen 50 represents a new packer generation and is the successor of the former PSPC 30. The proven technology for careful egg packing on 30-cell trays with the unequalled point down setting is fully maintained. New design details are incorporated with a welded frame which makes the packer even more solid and hygienic. Modern machine controls are combined with a touch panel for easy operation and access for information. Equipment for packer integrated egg coding is available as an option, as well as an automatic stacking unit: Ergostack 50.



The compact and flexible design of the Prinzen 50 packer makes daily egg collecting a quick and comfortably task at any size farm. In addition, the low energy consumption and operational costs ensures a quick return on investment.



Features

- Suitable for almost every type of tray (paper/plastic 5x6)
- Ergonomic design: different lay-out options possible
- Ease in operation
- Compact lay-out: fits into almost every egg room

Better results

- > 99.7% Points down correction
- Gentle egg handling
- Egg coding (Ovoprint or Ovostamp)
- Control from input to output

Durable and low maintenance

- Stainless steel for easy cleaning
- Durable materials and construction
- Vital parts are easy to reach for cleaning and servicing
- Rapid return on investment

Prinzen 50

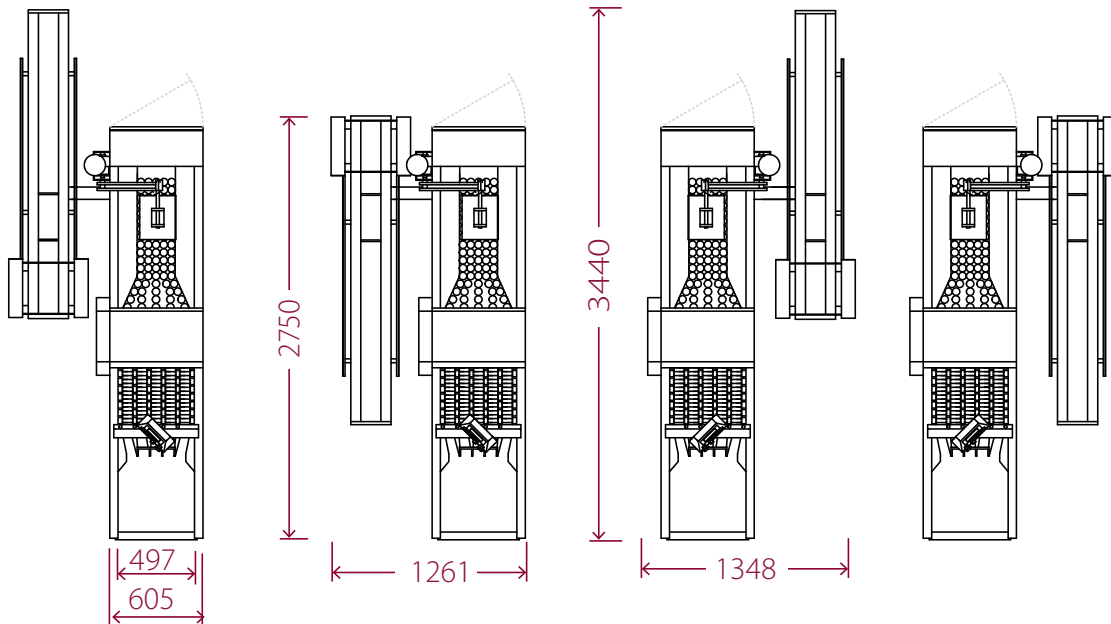
Automatic egg packer

Technical specifications

Capacity:	18,000 eggs per hour
Power supply:	400V – 3 Phase – 50/60Hz – neutral/earth 230V – 1 Phase – 50/60Hz – neutral/earth 230V – 2 Phase – 50/60Hz – earth 230V – 3 Phase – 50/60Hz – earth
Energy consumption (0.75 Cosφ)	1.9 kVA (full option)
Fuse rating	Min. 16 Amps per Phase Max. 25 Amps per Phase
RCD/RCCD Rating	300 mA
Air	Not applicable
Weight	475 Kg. / 575 Kg. (incl. pallet and without option)
Capacity of tray denester	30-cell tray plastic: 50 pcs 30-cell tray paper: 75 pcs
Buffer on output belt	30-cell tray plastic/paper: 4 pcs
Possible tray types	30-cell cardboard (5x6) 30-cell plastic (5x6)

Available options

Extension of infeed belt
Egg infeed belt(s)
Inspection roller conveyor
Egg coding: Ovoprint X5 or Ovostamp 5R
Automatic tray stacking: Ergostack 50
Leaker-detection: max 3 pcs



Prinzen 50 **L**

Prinzen 50 **LB**

Prinzen 50 **R**

Prinzen 50 **RB**