

Think
ahead with
**poultry
people**

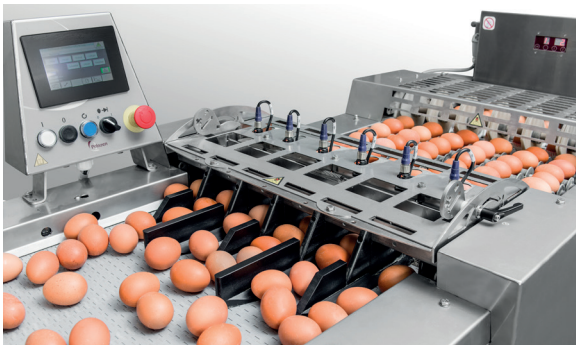
Prinzen 100

Automatic egg packer



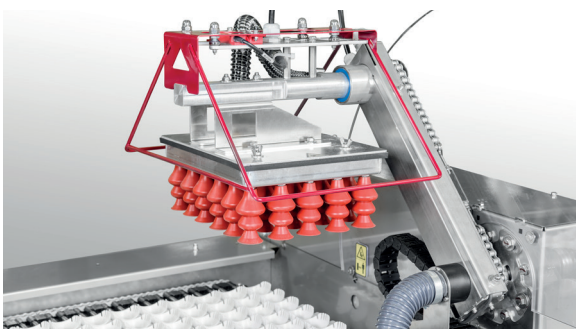
With the Prinzen 100 daily egg packing becomes an easy task. It is cleverly designed, ensures gentle egg handling and it reaches for a capacity of 36,000 eggs per hour.

Clever design - The Prinzen 100 can be configured to fit any egg packing room and allows an overview of the complete packing process. Working with the packer goes without saying. Essential parts of the machine are easy to reach and make it simple to operate and to clean.



Individual egg handling – Safeguarding egg quality is a key priority. Eggs are handled with the outmost care, preserving its quality during the entire packing process, including automatic tray stacking and additional palletising.

Additional systems for further automation - The processing capacity of the Prinzen 100 calls for a further automatic handling. For stacking the PS4 stacker is optional available. For automatic palletising of the stacks a combination can be made with either the Palletiser 110 or the Pallet Loader.



Features

- Suitable for almost every type of tray (paper/plastic 5x6)
- Flexible and compact: fits into almost every egg packing room
- Ease in operation
- Low cost(s) of ownership

Better results

- > 99.7% Points down setting
- Gentle egg handling
- Complete process overview

Durable and low maintenance

- Stainless steel for easy cleaning
- Durable materials
- Vital parts are easy to reach for cleaning and servicing

Prinzen 100

Automatic egg packer

Technical specifications

Capacity:	36,000 eggs per hour
Power supply:	400V-3Phase +N +PE, 50/60Hz 230V-1Phase +N +PE, 50/60Hz 230V-2Phase +PE, 50/60Hz 230V-3Phase +PE, 50/60Hz
Energy consumption	1.85 kVA
Minimum fuse rating	16 Amps per Phase
RCD/RCCD Rating	300 mA (minimum)
Air	Not applicable
Weight	570 Kg. / 670 Kg. (incl. pallet)
Capacity of tray denester	30-cell tray plastic: 100 pcs 30-cell tray paper: 130 pcs
Buffer on output belt	30-cell tray plastic/paper: 5 pcs
Possible tray types	30-cell cardboard (5x6), 30-cell plastic (5x6), other tray types on request

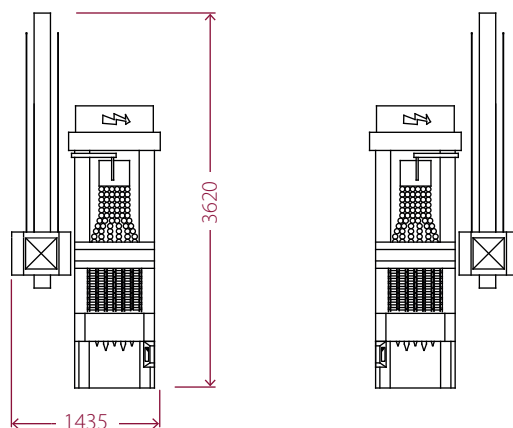
Available options

Egg infeed belt(s)
Inspection roller conveyor
Egg coding: Ovoprint X6
Automatic tray stacking: PS4
Various stack output belts (i.e. straight, 90°curve)
Automatic palletising: Palletiser 110 or Pallet Loader



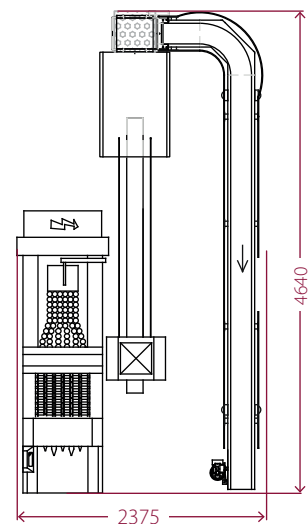
Palletiser 110

PS4 Tray Stacker



Prinzen 100 L

Prinzen 100 R



Prinzen 100 R + PS4 Stacker
+ Curved conveyor for stacks