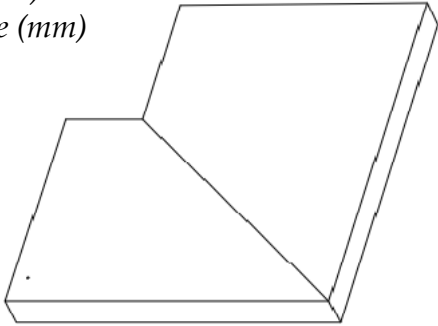
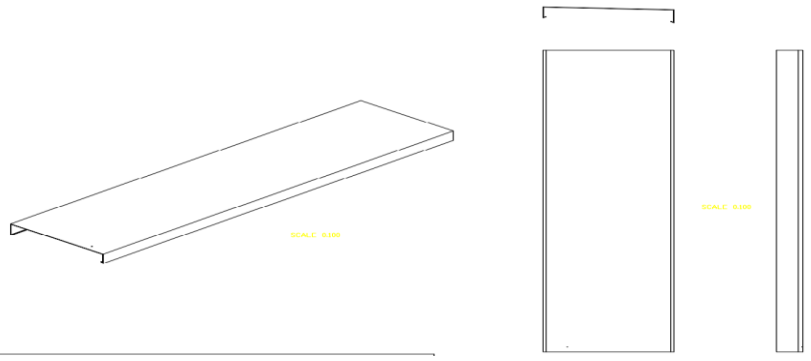
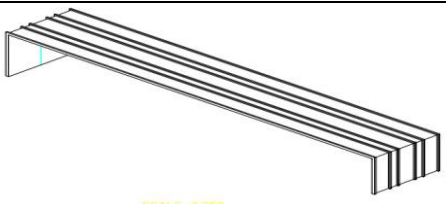


HJA Secret Fix Order Sheet



Company Name:.....

Contact Name & No:.....

Corners		<p><i>Add sizes to each side (mm)</i> <i>Add leg lengths each side (mm)</i></p> <p>Inside angle:</p>	
Qty			
Length			
Width			
Inside Leg			
Outside Leg			
Straights			
Qty			
Length			
Width			
Inside Leg			
Outside Leg			
Brackets			
Qty			
Stop Ends		<i>Loose Or Welded to the Capping Length</i>	
Qty			
RAL Colour		RAL:	
Additional Notes			

Email: Enquiries@hjafabrications.co.uk

Call: 01905 454790