

Solar Clips

Solar farms consist of thousands of solar panels to provide a green power alternative. These solar panels are installed on metal frames that support the weight of the solar panels and provide a pathway to route wire and cabling from the solar panel to the inverter. Panduit provides a variety of clips that can be used to improve installation efficiency in the field and offer a robust solution that can withstand the UV environment. These clips are manufactured from materials that is expected to offer a lifespan of 20 years. Being manufactured from a polymer material, the concerns of galvanic corrosion and any scratches to the solar panel frame are eliminated, assuring a reliable solution.



Key Features

Benefits

Polyoxymethylene resin material	Eliminates concern of dis-similar metals and prevents scratches to the solar panel frame
Outdoor Durability	Resin material is rated for an outdoor lifespan of 20 years, eliminating rework and providing a long term, quality, cost effective solution
Patented Retention Lock Pin Design	Assures a secure installation on a wide range of solar panel frames
Toolless Installation	Eliminates the need to carry and maintain tools required to install the product
Integral Spring	Holds wire(s) securely within the cable retention area
Multiple mounting options	Provides alternative solutions for wires to run parallel or perpendicular to the frame as well as inside or outside the frame member

Application Examples



Wires routed inside and parallel to the frame member.



Wires routed outside and perpendicular to the frame member.

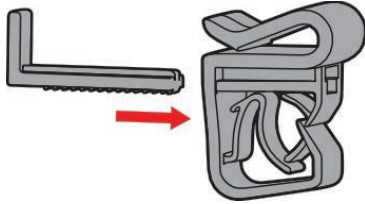


Wires routed outside and parallel to the frame member.

Solar Clips

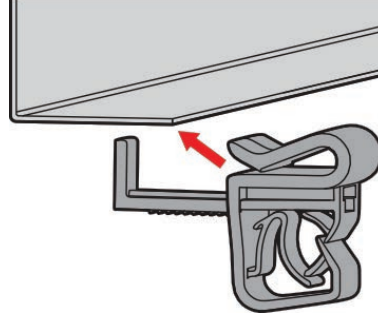
Application Examples

1 Clip body assembly



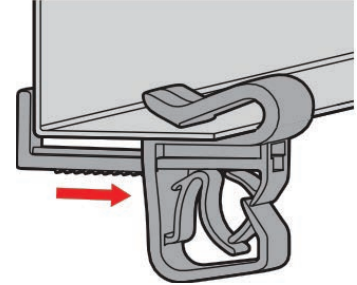
Insert the lock pin into the lock pin hole of the clip body as shown in the figure, with 1-2 times of "click" sound.

2 Clip mounting to the frame



Clamp the clip onto the solar panel frame.

3 Locking and fixing



Press the lock pin completely into the lock pin hole to finish the installation.

Ordering Information

- Material: Black Weather Resistant Polyoxymethylene
- Suitable for frame that is 0.04" (1mm) - 0.12" (3mm) thick and 0.79"(20mm) - 1.38"(35mm) wide.
- Designed to manage up to 3 wires within cable retaining area
- Accompanies wire with an outer diameter of 0.24" (6mm) up to 0.3" (7.5mm)



Part Number	Description	Color	Std. Pkg. Qty.
UCCAD-C130	Use to route wiring on the outside of the frame and perpendicular to the frame member. Includes lock pin.	Black	100
UCCPD-C130	Use to route wiring on the outside of the frame and parallel to the frame member. Includes lock pin.		
UCCPU-C130	"Use to route wiring on the inside of the frame and parallel to the frame member. Includes lock pin.		
UCCCDL-X130	Spare lock pin for UCCAD-C130 and UCCPD-C130 parts.	Black	10
UCCCUL-X130	Spare lock pin for UCCPU-C130 part.		

*Confirm the outer diameter of cable. When using, please confirm whether it is suitable for the actual application and use environment, then judge whether to when use it after confirmed.

WORLDWIDE SUBSIDIARIES AND SALES OFFICES

PANDUIT US/CANADA
Phone: 800.777.3300

PANDUIT EUROPE LTD.
London, UK
Phone: 44.20.8601.7200

PANDUIT SINGAPORE PTE. LTD.
Republic of Singapore
Phone: 65.6305.7575

PANDUIT JAPAN
Tokyo, Japan
Phone: 81.3.6863.6000

PANDUIT LATIN AMERICA
Guadalajara, Mexico
Phone: 52.33.3777.6000

PANDUIT AUSTRALIA PTY. LTD.
Victoria, Australia
Phone: 61.3.9794.9020

For a copy of Panduit product warranties, log on to www.panduit.com/warranty

PANDUIT®

Visit us at www.panduit.com/intravue
iai@panduit.com

©2020 Panduit Corp.
ALL RIGHTS RESERVED.
Printed in the U.S.A.
WACB36--SA-ENG
2/2020