



PRESSALIT®



Meeting bariatric needs

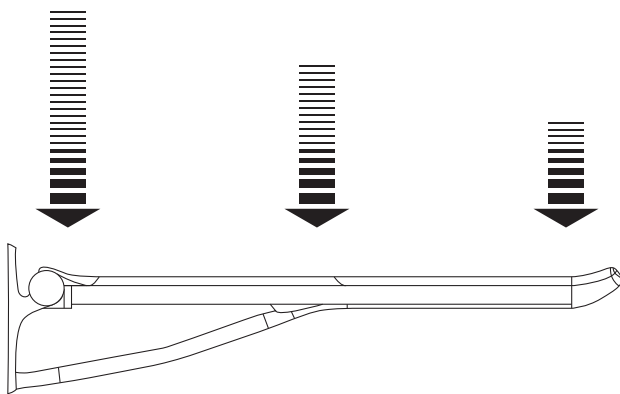
Test methods and loads



Test methods

At Pressalit we test our products so we can be completely sure that they can withstand extreme real-life conditions. We push the products to the very limit to identify any weaknesses by subjecting them to rigorous tests. The products are tested according to the requirements in the international standard for "Assistive Products for Personal Hygiene" ISO 17966:2016. In addition, Pressalit has developed a number of tests which we believe are relevant to the individual types of equipment.

For example, the illustration below shows our test method for a fold down grab bar. The weight which the product can withstand increases as we get closer to the wall.



All tests have been conducted by mounting the products on a solid wall. This is what Pressalit recommends. The lifespan of the product is not affected by the wall type. However, the overall solution will inevitably be influenced by the condition and material of the wall. Therefore, reinforcement should always be used if the wall is not stable.



Static test

We also conduct a static test on our products. We know exactly how many pounds each product can carry for 1 minute. The test is also carried out on the weakest part of each product.



Safety factor

According to the International standard "Assistive Products for Personal Hygiene" (ISO 17966) the manufacturer must declare the maximum weight capacity of a product. However, our products have been tested with an even greater load. We test at 1.5 times the maximum declared weight capacity of the product. This addition is called the safety factor.

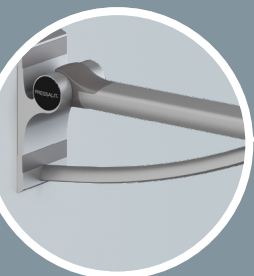
$$\text{Maximum Load} \times \text{Safety Factor} = \text{Test Weight}$$

This catalogue shows the test weight



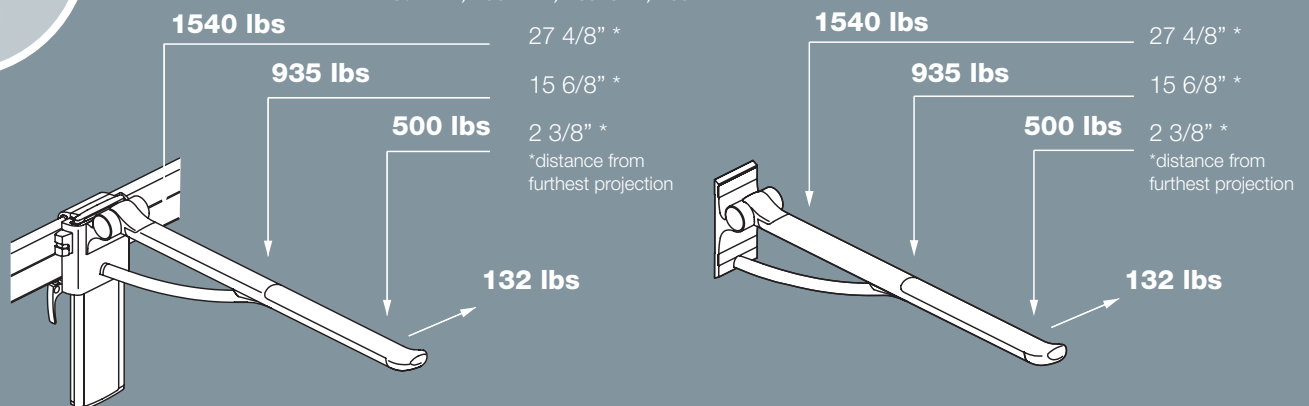
Lateral test

In addition to the above testing methods, we subject our support arms and armrests to a lateral test. The lateral test involves pressing the product 10,000 times at a 45° angle for 2 seconds at a time.



Fold down grab bars

Model: R3600XX, R30703XX, R315704EP, R3714XX, R3814XX, R3913XX, R3914XX

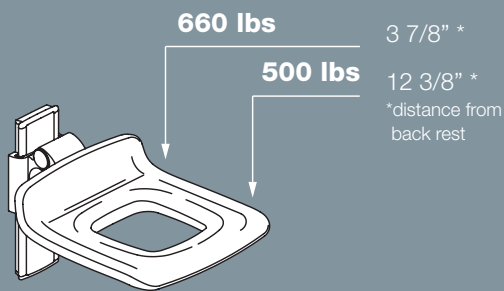
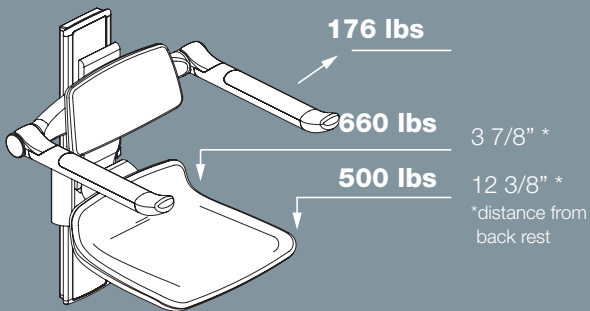
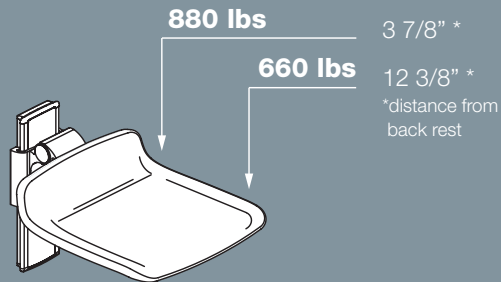
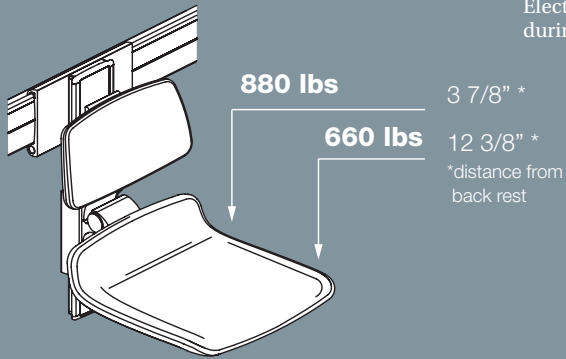
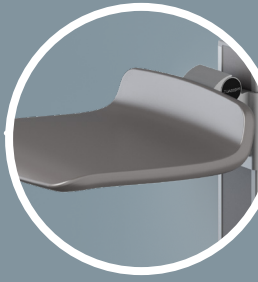


Shower seats 310 + 450



Model: R7304-R7665

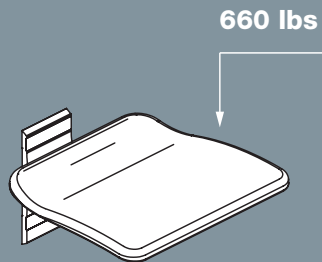
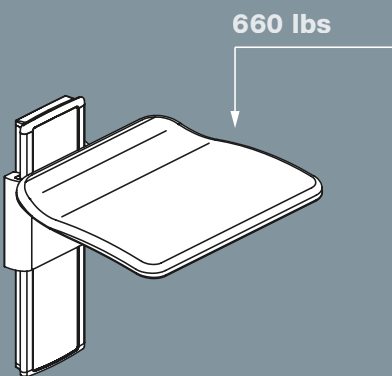
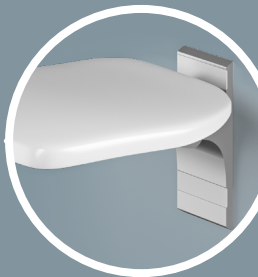
Electrically operated shower seats have a maximum load of 330 lbs during height adjustment.



Folding seats



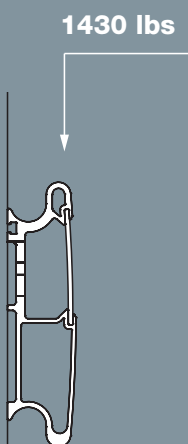
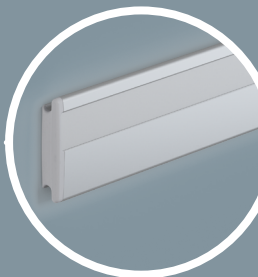
Model: R5510, R5520

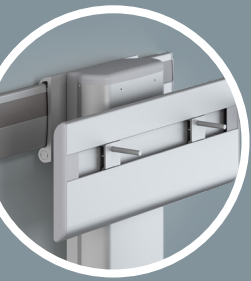


Wall tracks



Model: R9806 - R9839

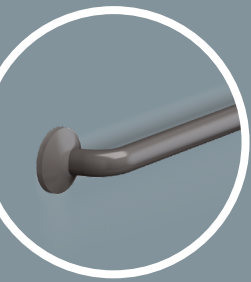
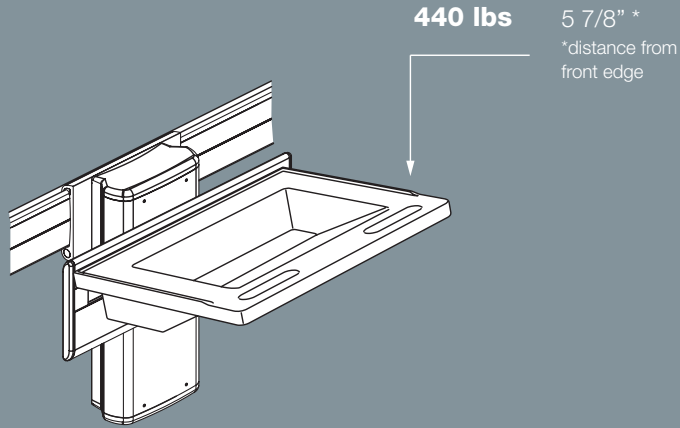




Sink brackets

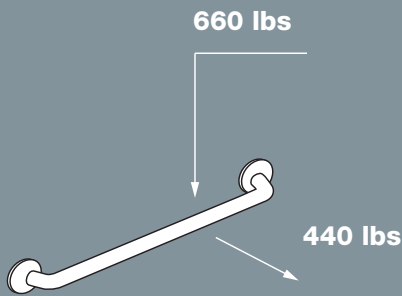
Model: R4550-R4781

Electrically operated sink brackets have a maximum load of 220 lbs during height adjustment



Grab bars

Model: RT018-RT042



PRESSALIT SUPPORTS UNITED NATIONS GLOBAL GOALS



WE SUPPORT



Pressalit A/S
Pressalitvej 1
8680 Ry
Denmark, Europe
T: +45 8788 8989
F: +45 8788 8669
pressalit@pressalit.com
pressalit.com

Pressalit Inc. North America
Herman Walker
U.S. National Sales Director
T: 317-494-2889
hwa@pressalit.com
pressalit.com