



NL5060 G5 Parts Manual

UNIT SERIAL NUMBER _____

TR3000 SERIAL NUMBER _____

MANUAL NUMBER: 315924-AB-C

EFFECTIVE 06/2020



1330 76TH AVE SW
CEDAR RAPIDS, IA 52404-7052
PHONE (800) 363-1771 | FAX (319) 286-3350
www.newleader.com

Copyright 2019 Highway Equipment Company, Inc.
Now doing business as New Leader Manufacturing

Interactive Features	4
Instructions for Ordering Parts	5
Body.....	7
Mounting.....	7
Inverted "V"	8
Sight Window	9
Ladder	10
Lubrication	12
Lighting & Visibility.....	14
Fenders	16
Side Boards.....	17
Side Boards - With Multiplier	18
Side Boards - With Multiplier	19
Endgate	20
Endgate Assembly	20
Body Hydraulics	22
Tractor Hookups - Main	22
Body Hydraulics	26
Main Bin	26
Spreader Control Valve Assy	38
Cylinder Control Valve Assy.....	40
MultApplier Hydraulics	42
Left Hand Hydraulics - Insert.....	46
Conveyor	48
#4 Belt-Over-Chain Conveyor	48
Chain Shields.....	49
Conveyor Idler	50
Conveyor Drive.....	51
Gearcase Assembly.....	52
Gearcase Service Parts.....	53
Gearcase Breather Tube	54
Encoder.....	55
Conveyor Chain Oiler	56
Wiper - Front	58
Front Conveyor Guard	59
Electronics	60
Bin Sensors	60
Enclosure Assembly Mount.....	61
Enclosure Assembly	62
Controller - Main Bin	64
Controller - MultApplier	68
Scale System	70
Scale System	71
Switch Box & Harness	72
Spinner Speed Sensors.....	73

Decals	74
Spinners.....	76
Material Divider	76
Hillside Divider	77
Vane Assembly.....	78
Spinner Guards & Deflectors.....	79
Spinner Assembly.....	80
MultApplier	86
Mounting Hardware	86
Rear Feedgate	88
Rear Feedgate	89
Hillside Divider & Conveyor Cover	90
Front Feedgate.....	91
Front Wiper.....	92
Sealers.....	93
#4 BOC Conveyor.....	94
Conveyor Idler	96
Conveyor Drive & Encoder.....	97
Chain Shields - MultApplier	98
Hydraulics.....	99
Electrical.....	101
Lubrication	102
Mounts	104
Decals.....	105
TR3000	106
Electrical.....	108
Tongue Assembly	110
Wheel End & Tires.....	112
Hydraulic Brakes.....	114
Walking Beam Suspension	118
Lubrication	119
Decals.....	120

NOTE:

This manual incorporates several interactive features to provide supplemental information and ease of navigation. The information below is to aid in the identification and use of these features.

Hyperlinks

Hyperlinks provide direct access to a specific destination when clicked. The entire Table of Contents of this manual is hyperlinked to provide quick access to all sections of this manual when viewing the electronic version.

Hyperlinks within the content are denoted by blue, bold underlined text. Electronic format viewers can click these links for direct access to New Leader online features. Internet access is required.



Order from the AUTHORIZED DEALER in your area.

Always give the pertinent model and serial number.

Give part name, part number and the quantity required.

Give the correct address to where the parts are to be shipped, and the carrier if there is a preference.

Unless claims for shortages or errors are made immediately upon receipt of goods they will not be considered. Any part returns should be directed through the dealer from which they were purchased.

When broken goods are received, a full description of the damage should be made by the carrier agent on the freight bill. If this description is insisted upon, full damage can always be collected from the transportation company.

No responsibility is assumed for delay or damage to merchandise while in transit. Our responsibility ceases upon delivery of shipment to the transportation company from whom a receipt is received showing that shipment was in good condition when delivered to them, therefore, claims (if any) should be filed with the transportation company and not with New Leader Manufacturing.

If your claims are not being handled (by the transportation company) to your satisfaction, please call our Product Sales & Support Department at New Leader Manufacturing at (800) 363-1771 for assistance.

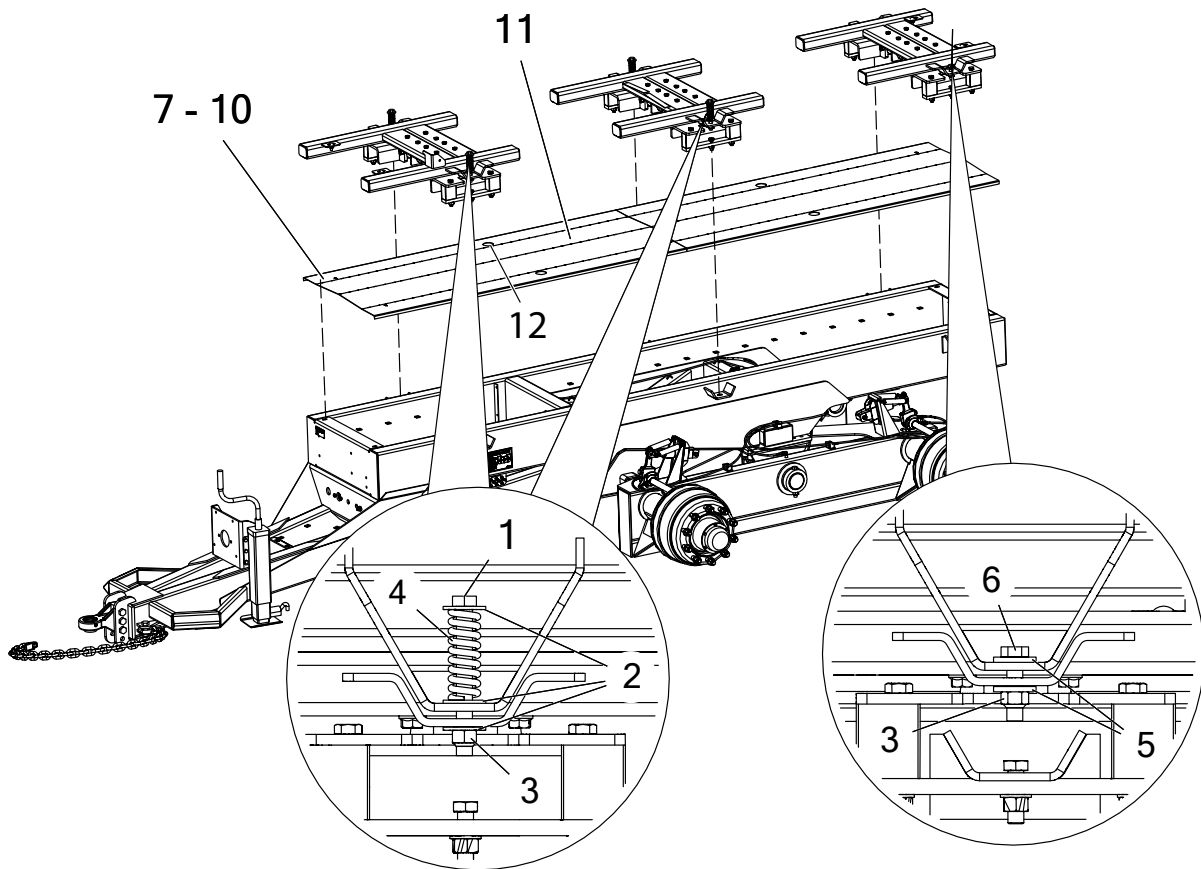
In the parts list the following symbols and abbreviations stand for:

- * - Not Shown
- AR – As Required
- CS – Carbon Steel
- SS – Stainless Steel
- NS – Not Serviced

The parts listed under the different steel types (CS, 409 SS and 304 SS) are for that type of unit and do not necessarily mean the part is made of that type of steel.

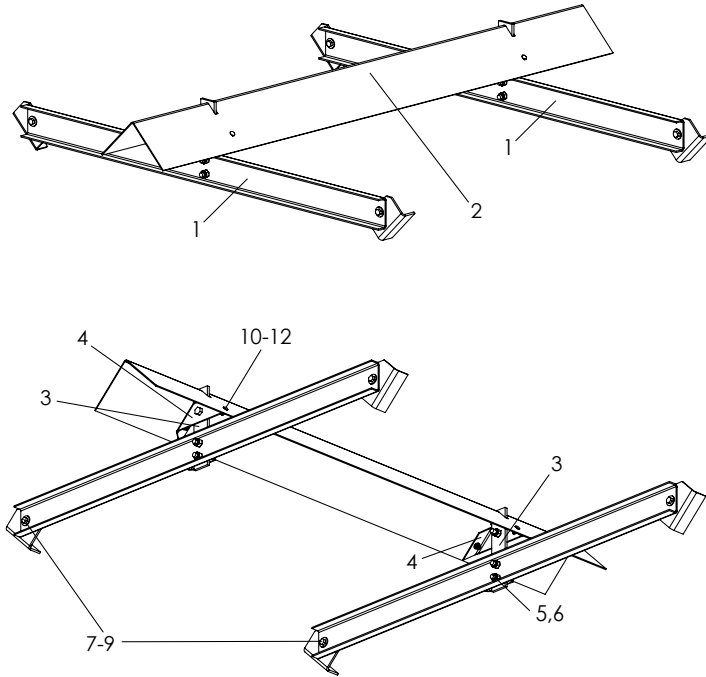
This page is intentionally left blank.

Mounting



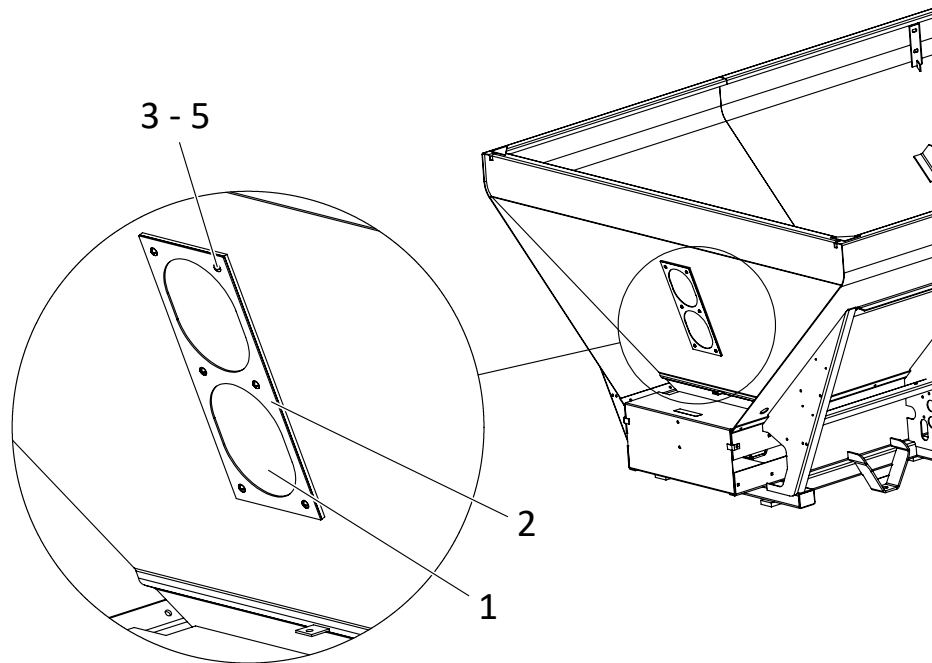
ITEM	PART NO.	DESCRIPTION	QTY
1	58560	Cap Screw - 3/4-10NC x 7	4
2	20698	Washer - Flat 3/4	12
3	20683	Nut - Lock 3/4-10NC	6
4	305220	Spring - Compression	4
5	310487	Washer - Flat .781 x 2 304	4
6	20209	Cap Screw - 3/4-10NC x 3	2
7	36411	Bolt - Carriage 1/2-13NC x 1-1/2 SS	4
8	36426	Washer - Flat 1/2 SS	4
9	36422	Washer - Lock 1/2 SS	4
10	36416	Nut - Hex 1/2-13NC SS	4
11	305222	Panel - Wldmt Underbody 304	2
12	307583	Grommet - Rubber	1

Inverted "V"



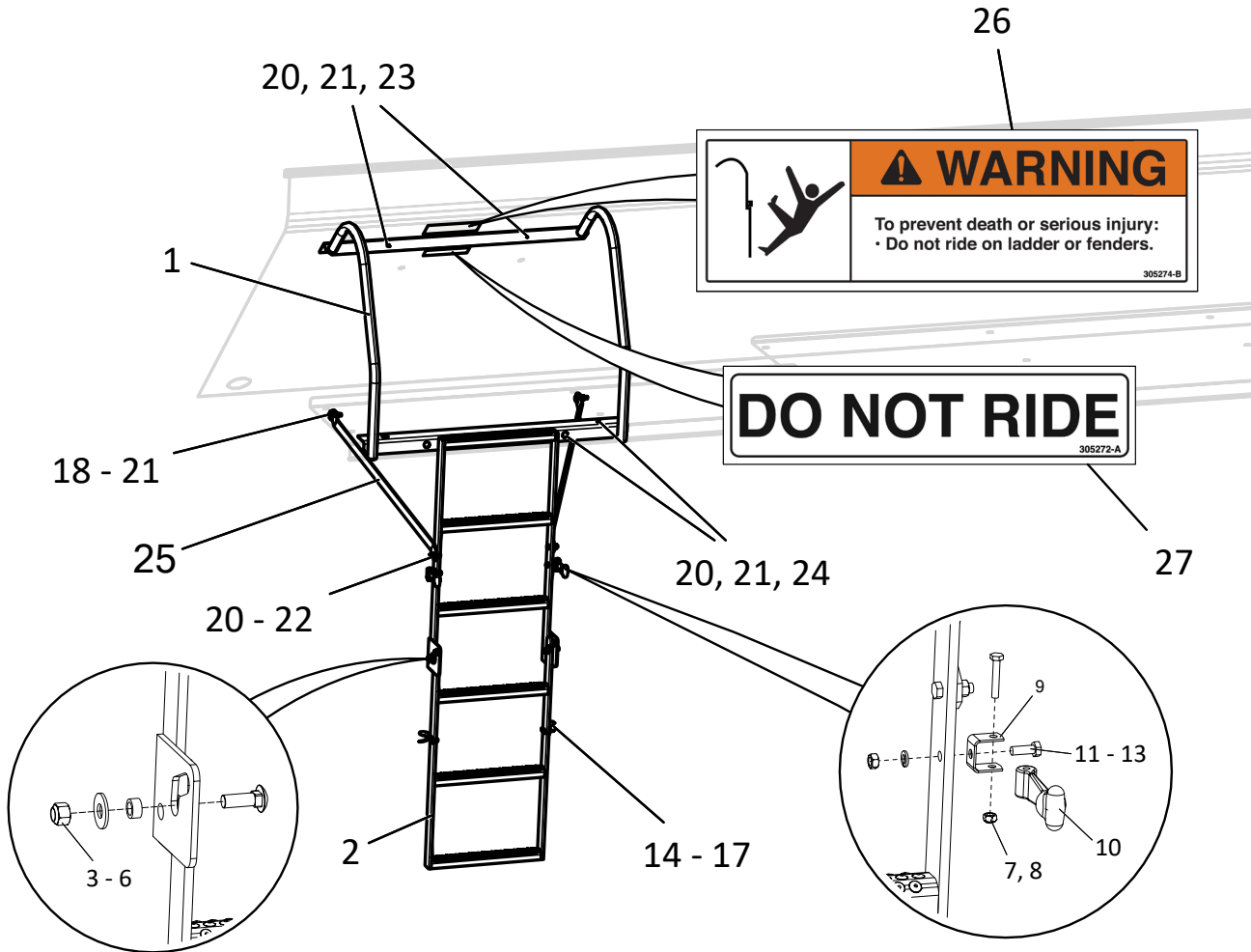
ITEM	PART NO.	DESCRIPTION	QTY
	<u>304 SS</u>		
1	81263	Hanger – V Wldmt	3
2	82624	Inverted V - 11'	1
3	308646	Bar – Adjusting	3
4	302371	Bracket – V Bolt-on	3
5	58800	Cap Screw – 5/8-11NC x 1-3/4 SS	9
6	41762	Nut - Lock 5/8-11NC SS	9
7	36402	Cap Screw - 1/2-13NC x 1-1/4 SS	6
8	36426	Washer - Flat 1/2 SS	6
9	39016	Nut - Lock 1/2-13NC SS	6
10	42639	Bolt - Carriage 5/16-18NC x 1 SS	6
11	36424	Washer - Flat 5/16 SS	6
12	42221	Nut - Lock 5/16-18NC SS	6

Sight Window



ITEM	PART NO.	DESCRIPTION	QTY
1	305216	Window - Sight 8 x 20 x 1/4	1
2	305217	Frame - Sight Window 304	1
3	42033	Screw - Truss Head 1/4-20NC x 1 SS	6
4	36412	Nut - Hex 1/4-20NC SS	6
5	36418	Washer - Lock 1/4 SS	6

Ladder

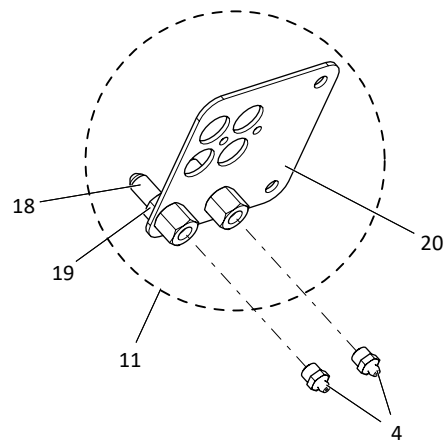
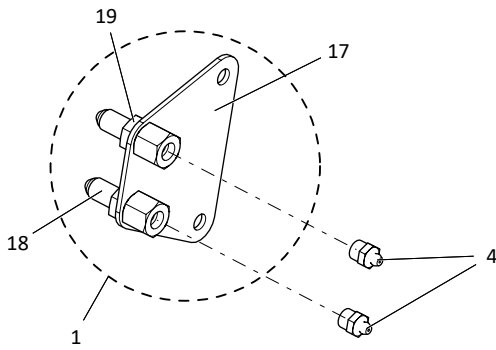
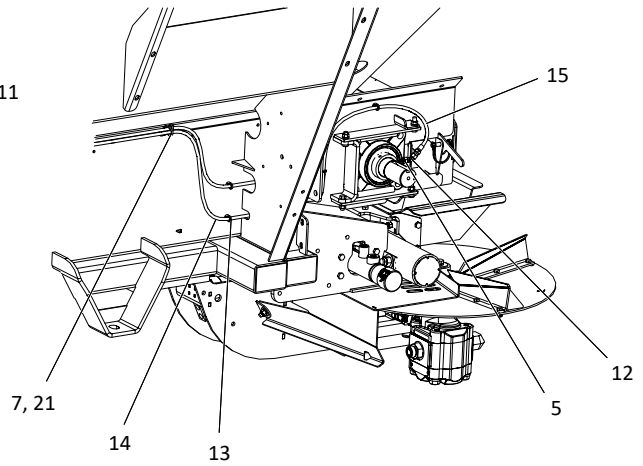
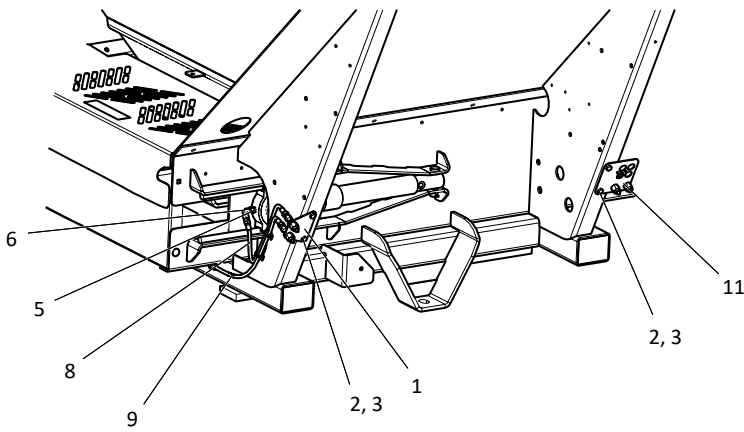
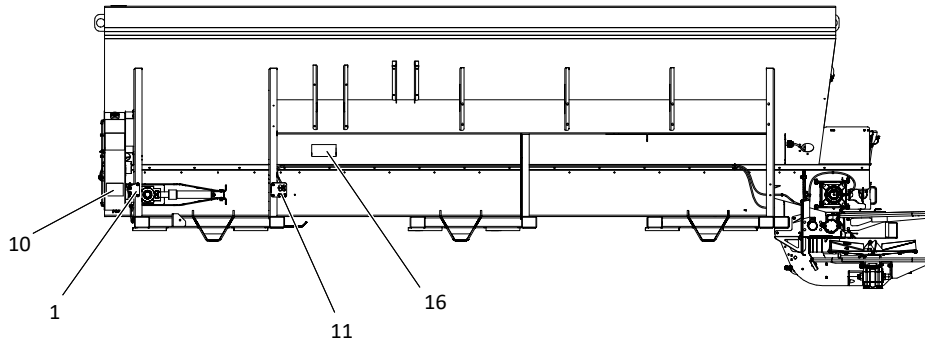


Ladder Cont.

ITEM	PART NO.	DESCRIPTION	QTY
	306112	Ladder - Kit, Includes Items 1 - 27	1
	306113	Ladder - Assy Folding, Includes Items 1 - 17	1
1	306115	Ladder - Wldmt Upper	1
2	89044	Ladder - Wldmt Insp Lower CS	1
3	20680	Nut - Lock 1/2-13NC	2
4	20695	Washer - Flat 1/2	2
5	88638	Spacer - Bushing	2
6	20366	Bolt - Carriage 1/2-13NC x 1-1/2	2
7	20007	Cap Screw - 1/4-20NC x 1-1/2	2
8	20676	Nut - Lock 1/4-20NC	2
9	73344	Bracket - Anchor	2
10	73343	Hook - Rubber	2
11	20035	Cap Screw - 5/16-18NC x 7/8	2
12	20711	Washer - Lock 5/16	2
13	20643	Nut - HEx 5/16-18NC	2
14	150043	Bracket - Hood	2
15	20572	Screw - #10-24 x 3/4	4
16	20709	Washer - Lock #10	4
17	20641	Nut - Hex #10-24	4
18	34858	Cap Screw - 3/8-16NC x 1-1/2 SS	2
19	36425	Washer - Flat 3/8 SS	2
20	36420	Washer - Lock 3/8 SS	10
21	36414	Nut - Hex 3/8-16NC SS	10
22	36399	Cap Screw - 3/8-16NC x 1-1/4 SS	2
23	36398	Cap Screw - 3/8-16NC x 1 SS	2
24	36408	Bolt - Carriage 3/8-16NC x 1 SS	4
25	305792	Strap - Support Ladder	2
26	305274	Decal - Warning, Do Not Ride	1
27	305272	Decal - Do Not Ride	1

AR - As Required

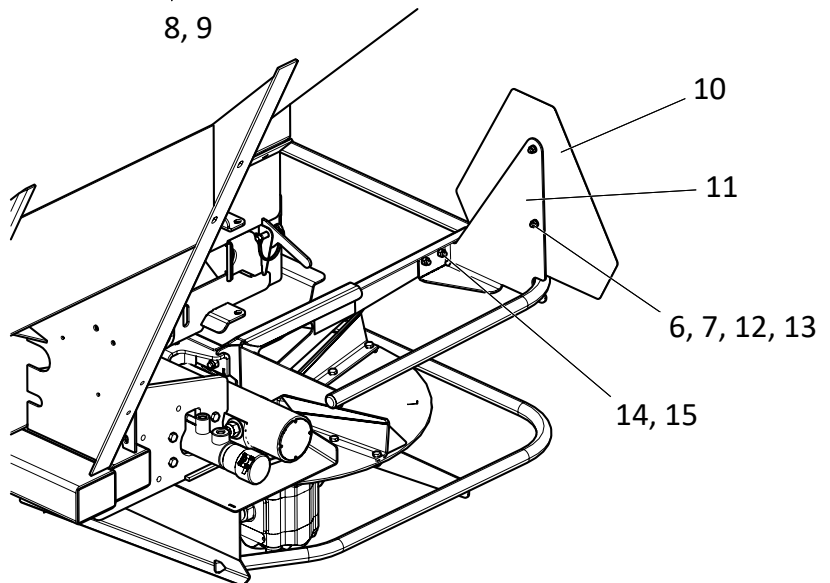
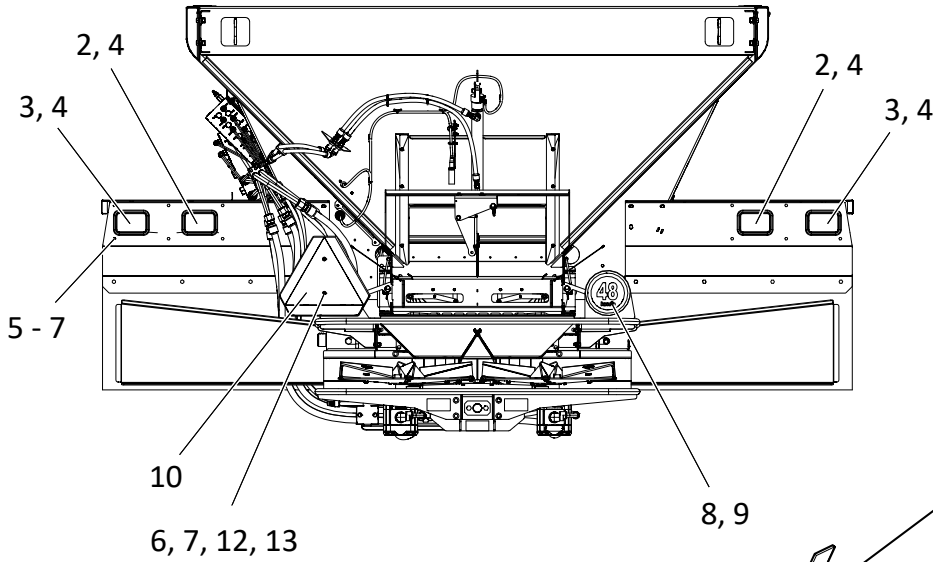
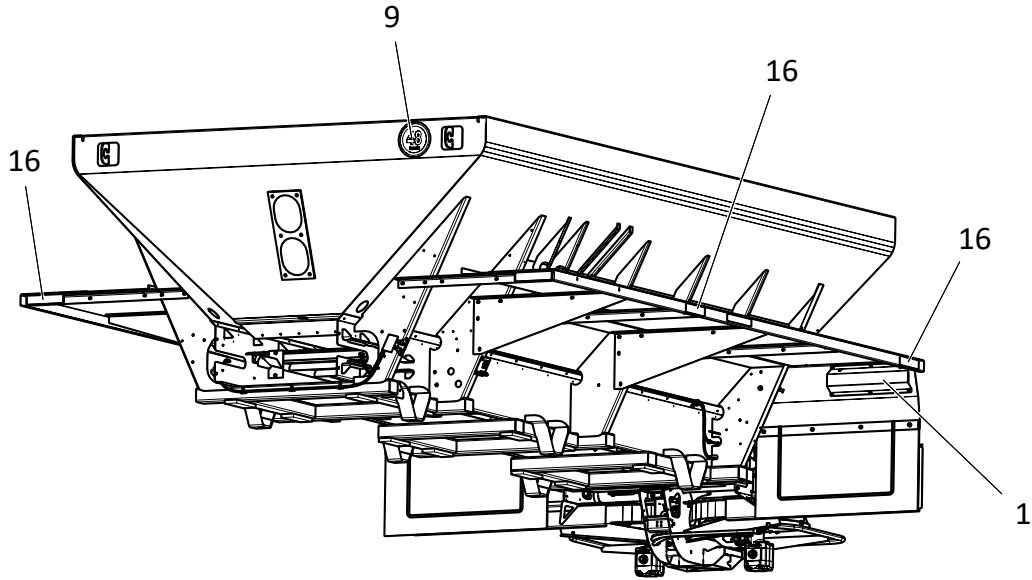
Lubrication



Lubrication Cont.

<u>ITEM</u>	<u>PART NO.</u>	<u>DESCRIPTION</u>	<u>QTY</u>
1	313913	Lube Bank - Assy 2 Position, Includes Items 17 - 19	1
2	56858	Cap Screw - 5/16-18NC x 3/4 SS	4
3	42221	Nut - Lock 5/16-18NC SS	4
4	313917	Zerk - Grease 1/8-27 NPT 304	4
5	34787	Fitting - 4-2 070102	4
6	34868	Fitting - 4-4 070221	2
7	99674	Tie - Wire	19
8	313663	Hose - Assy LH Front Bearing	1
9	313664	Hose - Assy RH Front Bearing	1
10	311814	Decal - Lubrication Chart	1
11	315918	Lube Bank - Assy 6 Position, Includes Items 18 - 20	1
12	313501	Fitting - 4-4 070321	2
13	311806	Tie - Wire Fir Tree	14
14	315919	Hose - Assy RH Rear Bearing	1
15	315920	Hose - Assy .125 x 181 HLB	1
16	313918	Decal - Lubrication Chart	1
17	313910	Plate - Lube Bank 2 Position 409	1
18	313916	Fitting - 4-2 Non-Standard	4
19	311489	Nut - Bulkhead 4 070118	4
20	313911	Plate - Lube Bank 6 Position 409	1
21	313047	Mount - Cable	11

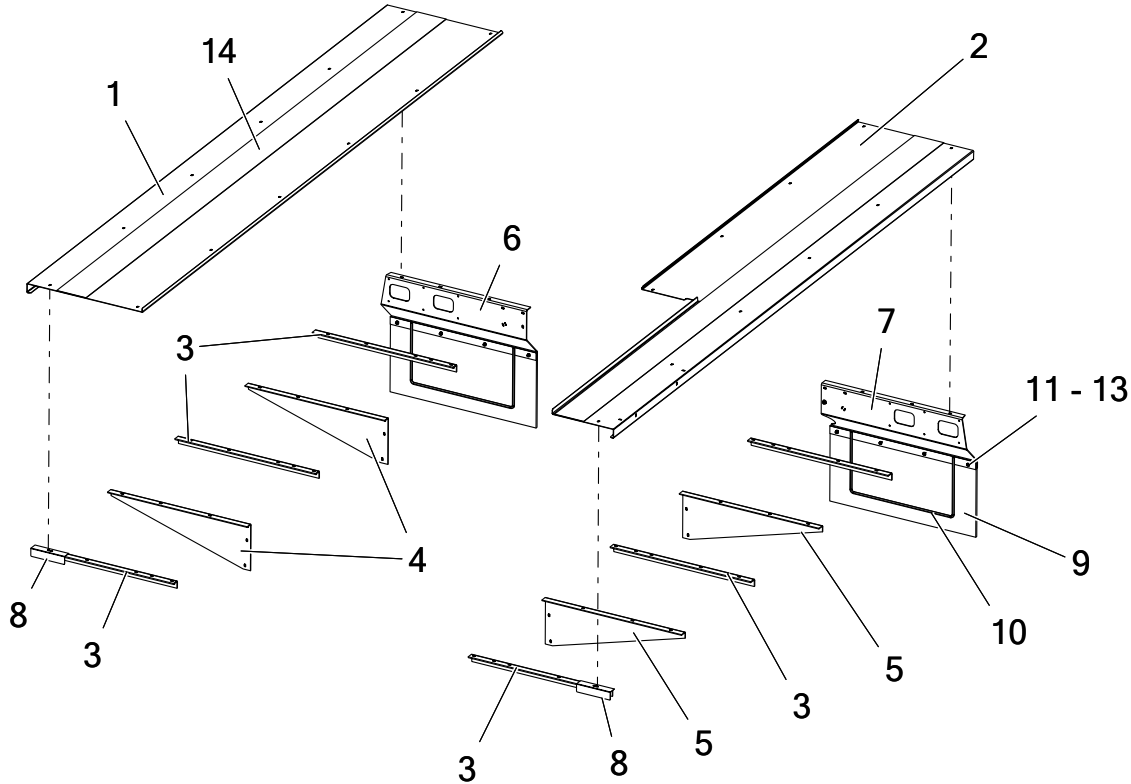
Lighting & Visibility



Lighting & Visibility Cont.

<u>ITEM</u>	<u>PART NO.</u>	<u>DESCRIPTION</u>	<u>QTY</u>
1	305213	Guard - Tail Light 304	2
2	300150	Light - SST Red	2
3	304715	Light - Super 45 Yellow	2
4	304704	Grommet - Super 45	4
5	36393	Cap Screw - 1/4-20 NC x 3/4 SS	12
6	36418	Washer - Lock 1/4 SS	14
7	36412	Nut - Hex 1/4-20 NC SS	14
8	315622	Bracket - SIS 304	1
9	313835	Decal - 48 km/h	2
10	305229	Sign - SMV	1
11	315621	Bracket - SMV 304	1
12	32446	Screw - Truss Head 1/4-20 x 3/4 SS	2
13	36423	Washer - Flat 1/4 SS	2
14	56858	Cap Screw - 5/16-18NC x 3/4 SS	4
15	42221	Nut - Lock 5/16-18NC SS	4
16	305186	Kit - Reflective Farm Implement	1
17	*305414-AB	Harness - LH Tail Lights TR3000	1
18	*305414-AC	Harness - RH Tail Lights TR3000	1

Fenders



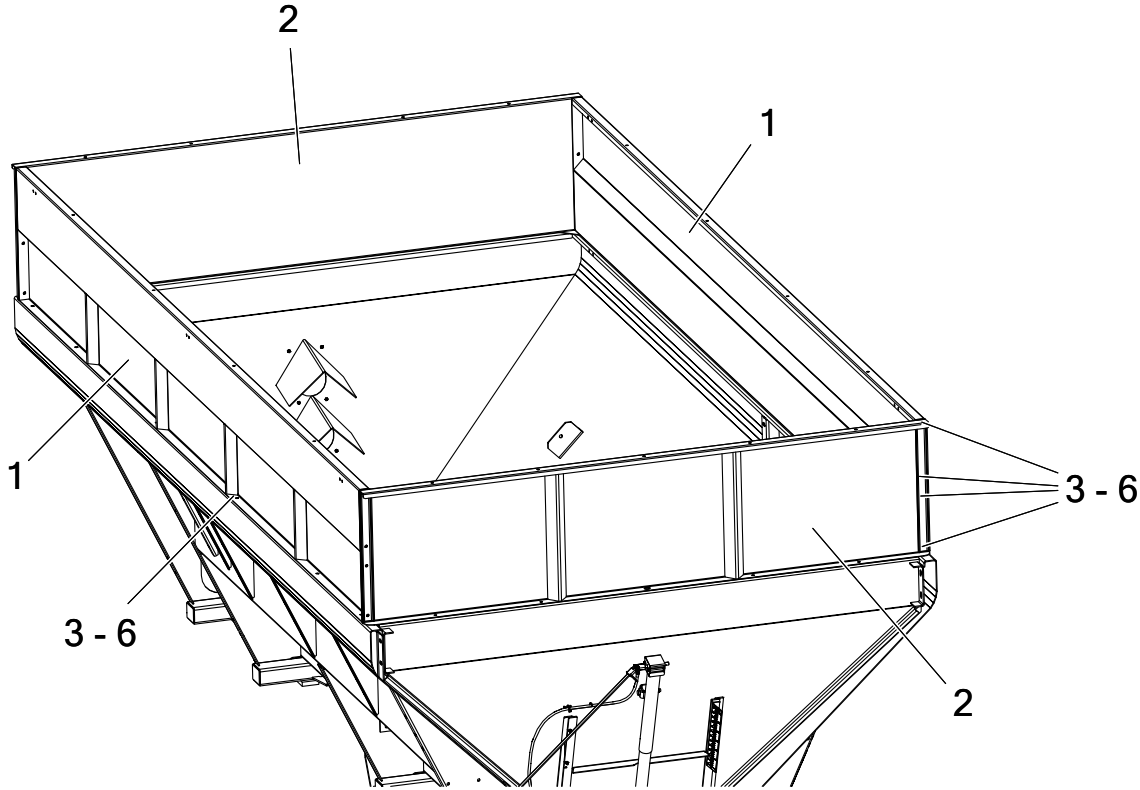
ITEM	PART NO.		DESCRIPTION	QTY
	409 SS	304 SS		
1	312869	312867	Fender - 16' x 32" RH	1
2	313830	313829	Fender - 16' x 32" LH	1
3	96972	96972	Angle - Fender 132" 304	6
4	96970	96970	Support - Fender RH 304	2
5	96971	96971	Support - Fender LH 304	2
6	315922	315922	Support - Rear Fender RH 304	1
7	315923	315923	Support - Rear Fender LH 304	1
8	305276	305276	Angle - Decal Mt	2
9	312874	312874	Mud Flap - 20 x 40	2
10	305425	305425	Anti-Sail - Wldmt Mud Flap	2
11	34858	34858	Cap Screw - 3/8-16NC x 1-1/2 SS	8
12	36420	36420	Washer - Lock 3/8 SS	8
13	36414	36414	Nut - Hex 3/8-16NC SS	8
14	21699	21699	Skid Fabric - 8"	AR

AR - As Required * - Not Shown



Body

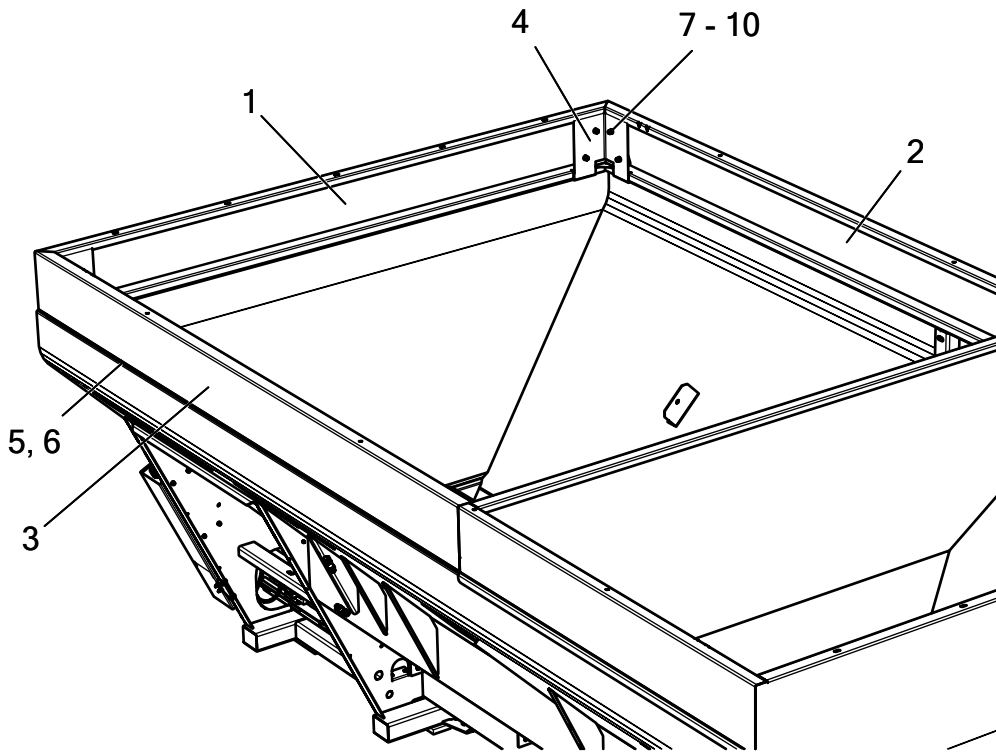
Side Boards



ITEM	PART NO.	DESCRIPTION	QTY
	313826	Kit - Hardware Side Boards, Includes Items 3 - 6	
1	313818	Side Board - Wldmt Side 304	2
2	313819	Side Board - Wldmt End 304	2
3	71772	Screw - Button Head 3/8-16NC x 1-1/4 SS	38
4	36425	Washer - Flat 3/8 SS	38
5	36420	Washer - Lock 3/8 SS	38
6	36414	Nut - Hex 3/8-16NC SS	38

Body

Side Boards - With Multiplier



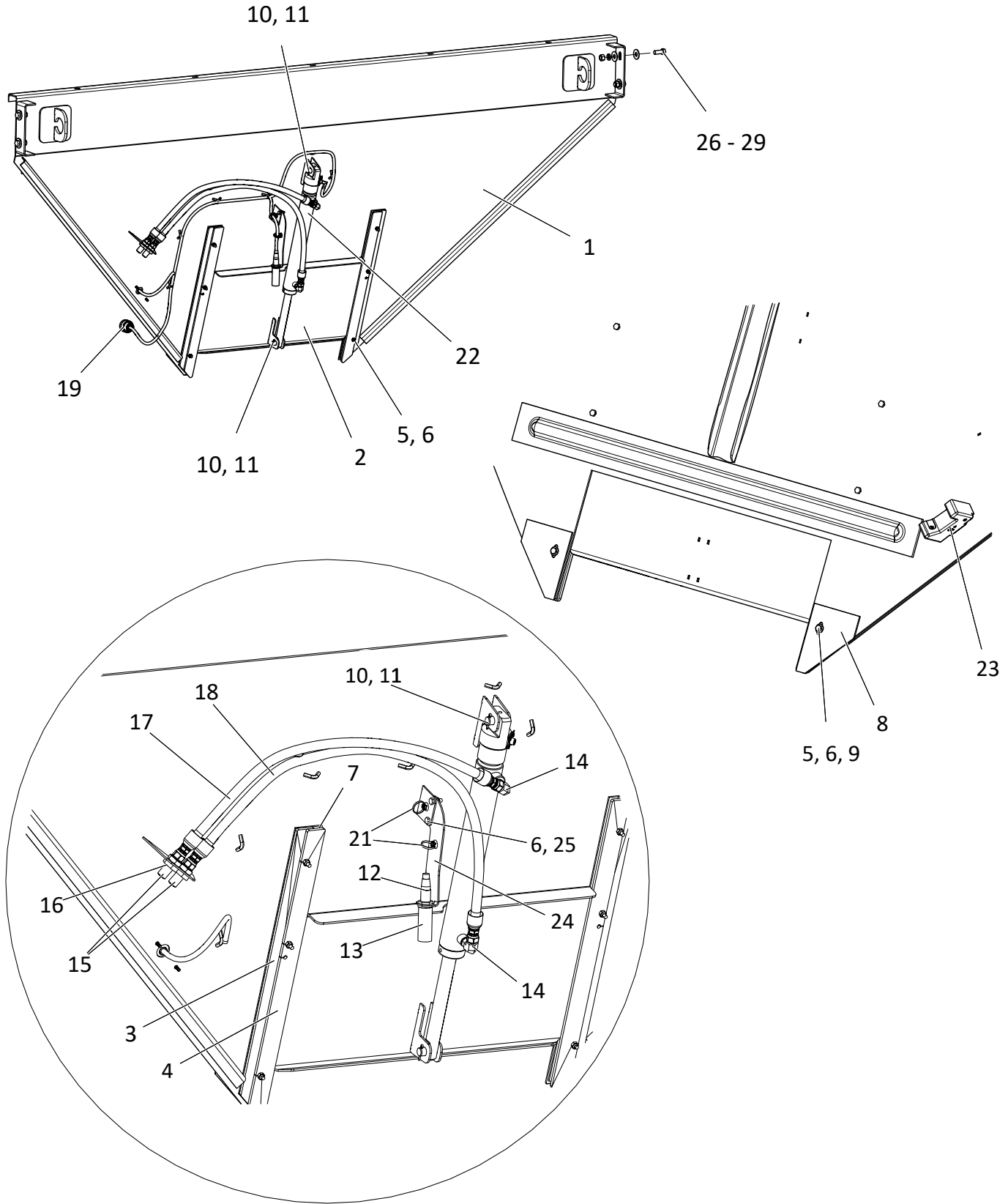
Body**Side Boards - With Multiplier**

<u>ITEM</u>	<u>PART NO.</u>	<u>DESCRIPTION</u>	<u>QTY</u>
	98746	Kit - Hardware Side Boards SS, Includes Items 7 - 10	1
1	312601	Side Board – Front Wldmt	1
2	312928	RH Side Board Wldmt - 9'	1
3	312929	LH Side Board Wldmt - 9'	1
4	86867	Pocket – Side Board	2
5	53950	Rubber – 1/4 x 2-1/4	AR
6	96254-AB	Adhesive – Blk Cyanoacrylate*	AR
7	36398	Cap Screw – 3/8 x 1	12
8	36425	Washer – Flat 3/8	12
9	36420	Washer – Lock 3/8	12
10	36414	Nut – Hex 3/8	12

AR - As Required

* - Use adhesive to attach rubber to bottom of side boards.

Endgate Assembly



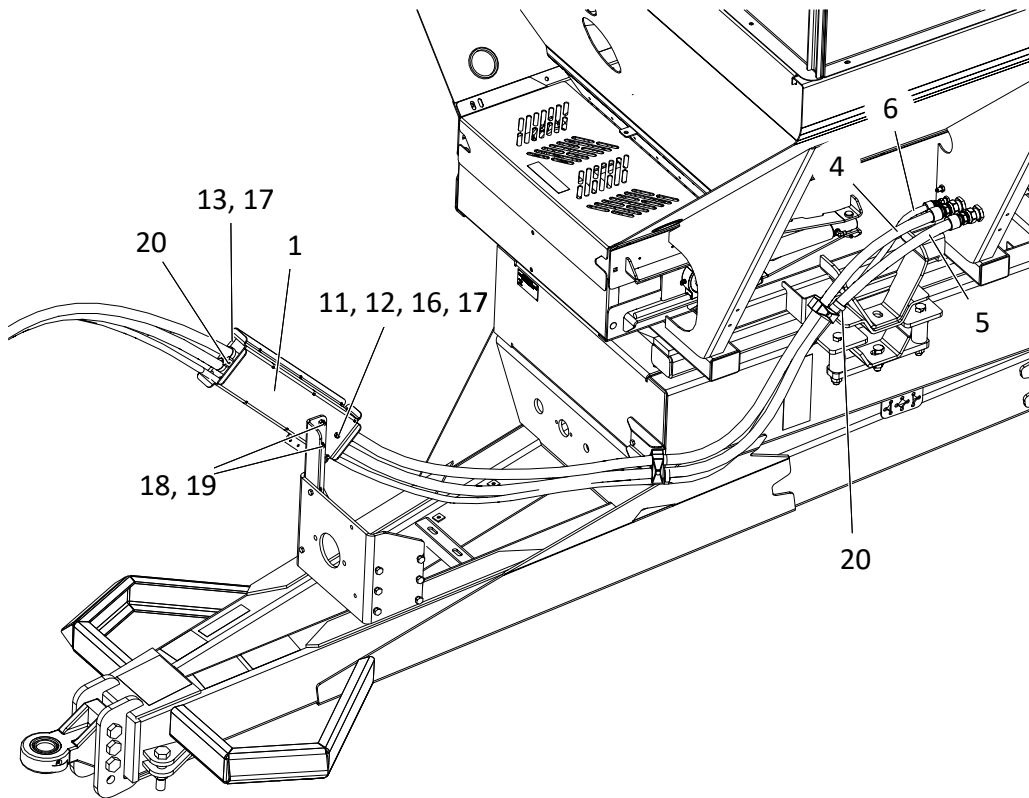
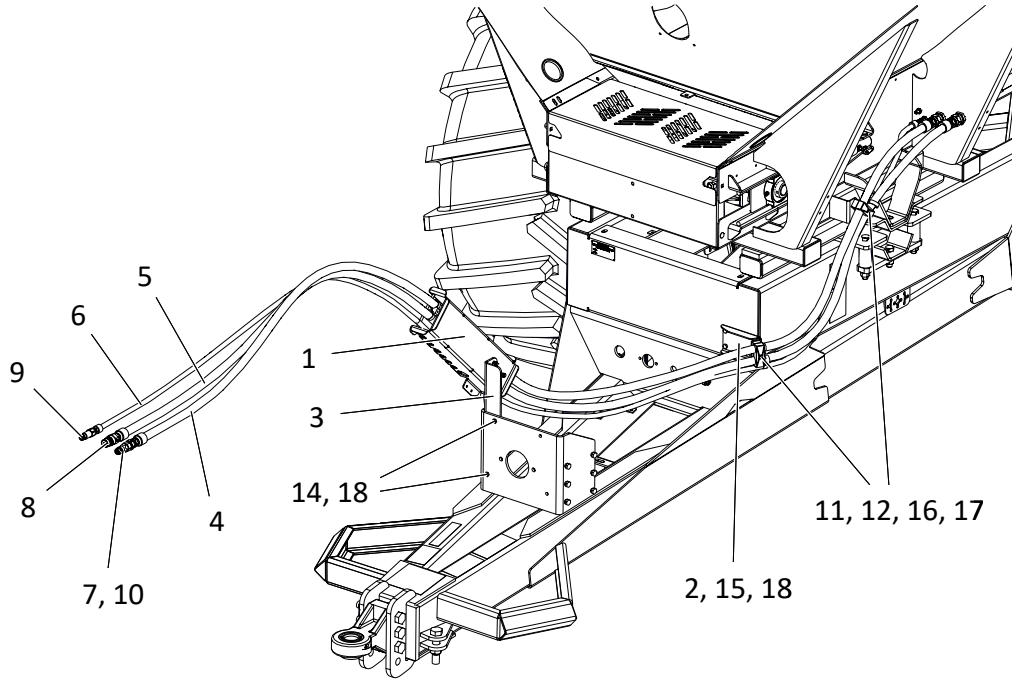
Endgate Assembly Cont.

<u>ITEM</u>	<u>PART NO.</u>	<u>DESCRIPTION</u>	<u>QTY</u>	
	<u>409 SS</u>	<u>304 SS</u>		
	314259	313502	Endgate - Assembly, Includes Items 1 - 25	1
	86951	86951	Kit - Hardware, Includes Items 26 - 29	1
1	314257	313503	Endgate - Wldmt Rear 102 + 6	1
2	314255	313506	Feedgate - Wldmt 30" 304	1
3	36385	36385	Bar - Feedgate Guide 304	2
4	36384	36384	Bar - Feedgate Slide 304	2
5	312394	312394	Cap Screw - 1/4-20NC x 1-3/8 SS	6
6	42034	42034	Nut - Lock 1/4-20NC SS	8
7	86090	86090	Spacer - Shim Plastic	2
8	305079	305079	Sealer - Endgate Bolt-In 304	2
9	36423	36423	Washer - Flat 1/4 SS	2
10	313173	313173	Pin - Clevis SS	2
11	36427	36427	Pin - Cotter SS	2
12	313377	313377	Sensor - Ultrasonic	1
13	313378	313378	Cover - Sensor	1
14	313465	313465	Fitting - 6-4 520220	2
15	313486	313486	Fitting - 6-6 520601S 304	2
16	313485	313485	Fitting - 6 520118S 304	2
17	313543	313543	Hose - Assy SAE 6 x 30 100R1	1
18	314398	314398	Hose - Assy SAE 6 x 38 100R1	1
19	313999	313999	Harness - Bin 2 Insert Control	1
20	*99674	*99674	Tie - Wire	8
21	311806	311806	Tie - Wire Fir Tree	2
22	312952	312952	Cylinder - 1.5 x 12 w/ Sensor	1
23	98787-AB	98787-AB	Sensor - Bin Level	1
24	313505	313505	Mount - Sensor 304	1
25	36393	36393	Cap Screw - 1/4-20NC x 3/4 SS	2
26	20128-X1	20128-X1	Cap Screw - 1/2-13NC x 1-1/4 GR8	4
27	20695	20695	Washer - Flat 1/2	8
28	20714	20714	Washer - Lock 1/2	4
29	20646	20646	Nut - 1/2-13NC	4
30	307181-AB	307181-AB	Plug Assy.	1

* - Not Shown



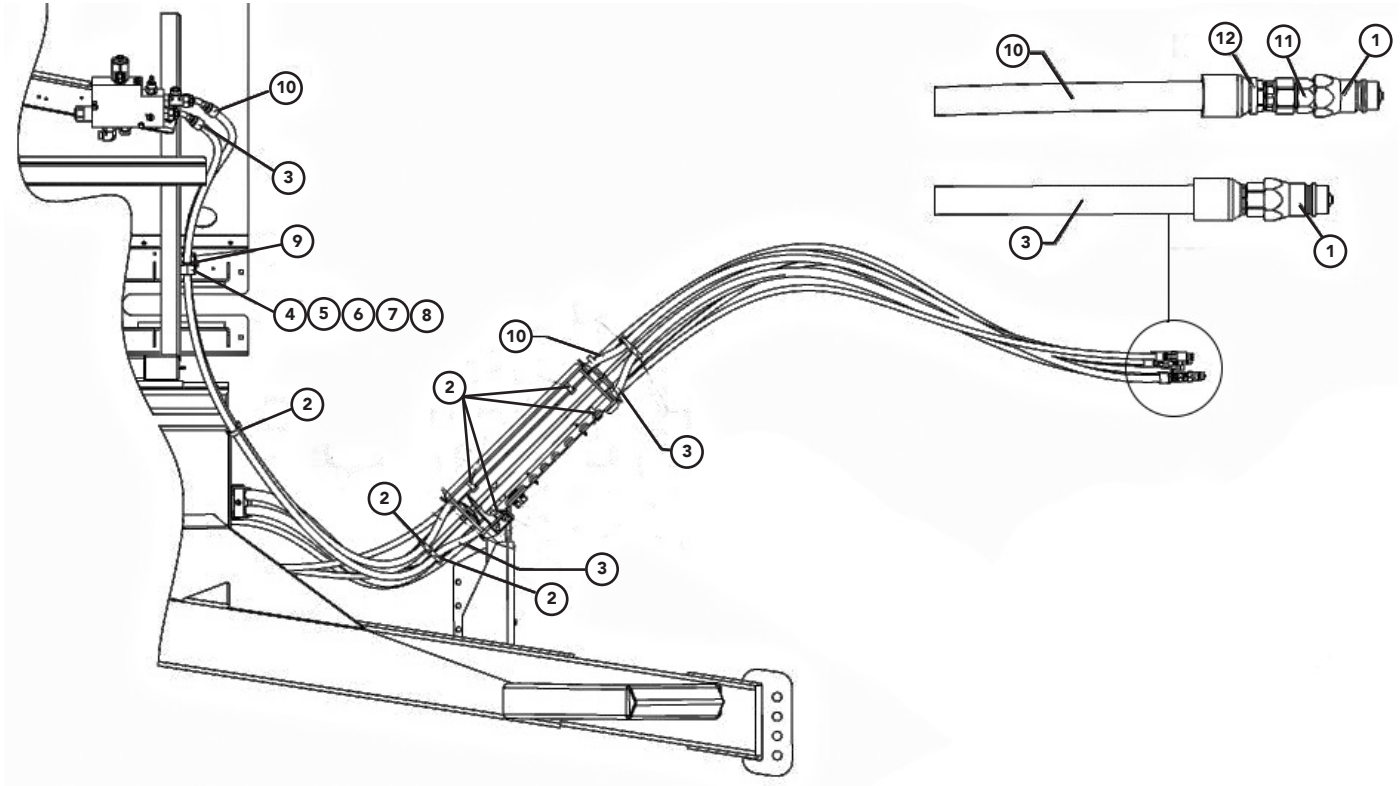
Tractor Hookups - Main



Tractor Hookups - Main Cont.

<u>ITEM</u>	<u>PART NO.</u>	<u>DESCRIPTION</u>	<u>QTY</u>
1	313843	Channel - Hose Guide	1
2	313844	Bracket - Hose Clamp	1
3	312885	Angle - Upright	1
4	315927	Hose - Assy SAE 12 x 185 100R12	1
5	315928	Hose - Assy SAE 12 x 185 100R1	1
6	315929	Hose - Assy SAE 6 x 185 100R1	1
7	305262	Nipple - QD 1/2 AG, 8 ORB	1
8	309294	Disconnect - Quick 12 Male	1
9	309295	Disconnect - Quick 6 Male	1
10	315940	Fitting - 12-8 520120	1
11	305266	Clamp - Hose 1.18 Double	3
12	305267	Plate - Cover Hose Clamp 304	3
13	20056	Cap Screw - 5/16-18NC x 6	2
14	20068	Cap Screw - 3/8-16NC x 1-1/4	2
15	20067	Cap Screw - 3/8-16NC x 1	2
16	20042	Cap Screw - 5/16-18NC x 2-1/2	3
17	20677	Nut - Lock 5/16-18NC	5
18	20678	Nut - Lock 3/8-16NC	7
19	20318	Bolt - Carriage 3/8-16NC x 1	3
20	310648	Tie - Dual Clamp	13

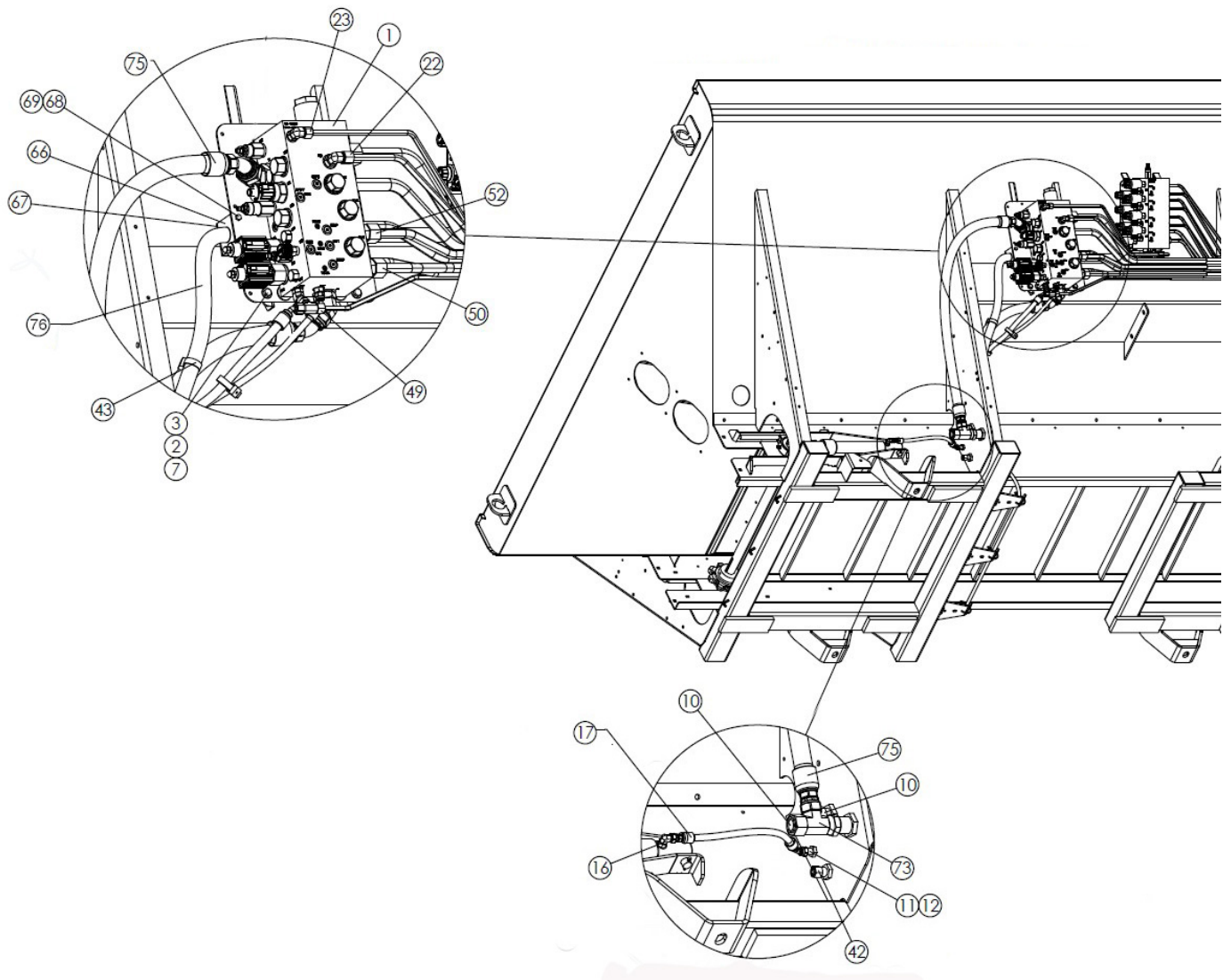
Tractor Hookups - Multitapplier



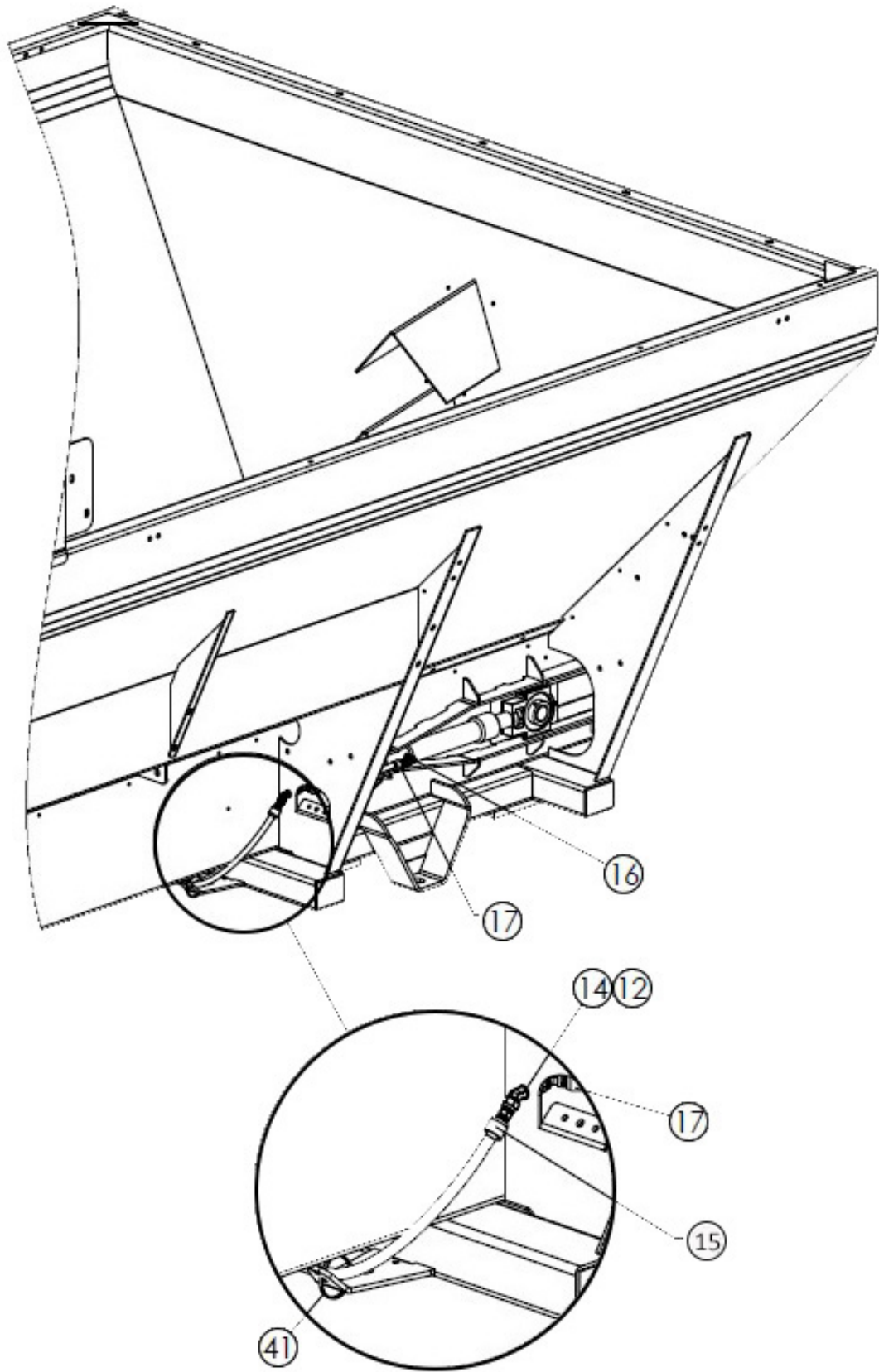
Tractor Hookups - Multapplier Cont.

<u>ITEM</u>	<u>PART NO.</u>	<u>DESCRIPTION</u>	<u>QTY</u>
1	305262	Nipple - QD 1/2 Ag 8 Orb	2
2	310648	Tie - Dual Clamp	9
3	317264	Hose - Assy .5 X 173 100R1	2
4	36424	Washer - Flat .313 SS	1
5	42221	Nut - Lock .313-18NC SS	1
6	305266	Clamp - Hose 1.18 Double	1
7	305267	Plate - Cover Hose Clamp 304	1
8	96258	Capscrew - .313-18NC X 3 SS	1
9	305073	Bushing - Rubber Hose	2
10	316572	Hose - Assy .5 X 173 100R1	1
11	317193	Valve - Check 80RFS X 12 Orb	1
12	313797	Tie - Cable 8" Blue	1

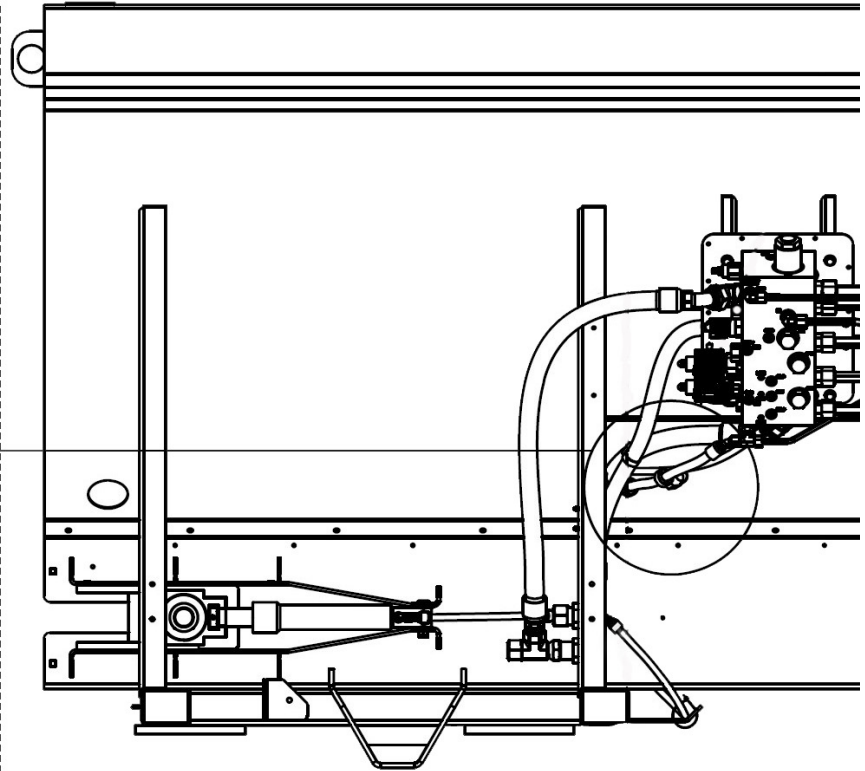
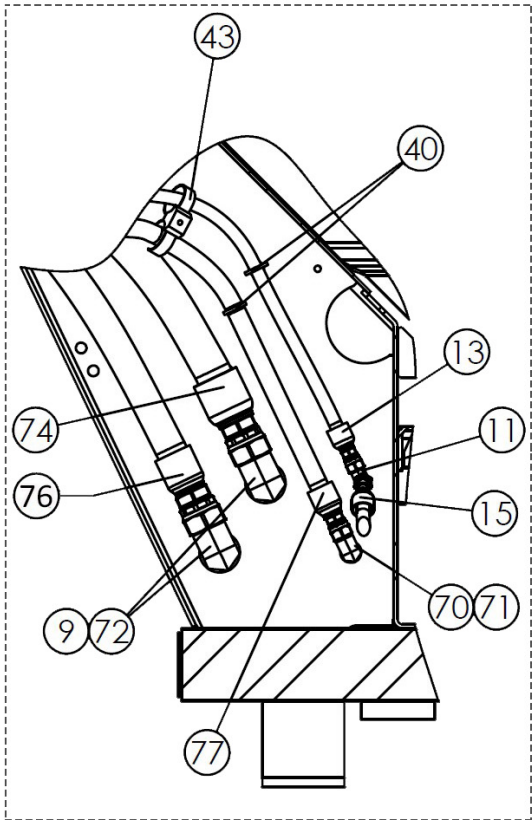
Main Bin



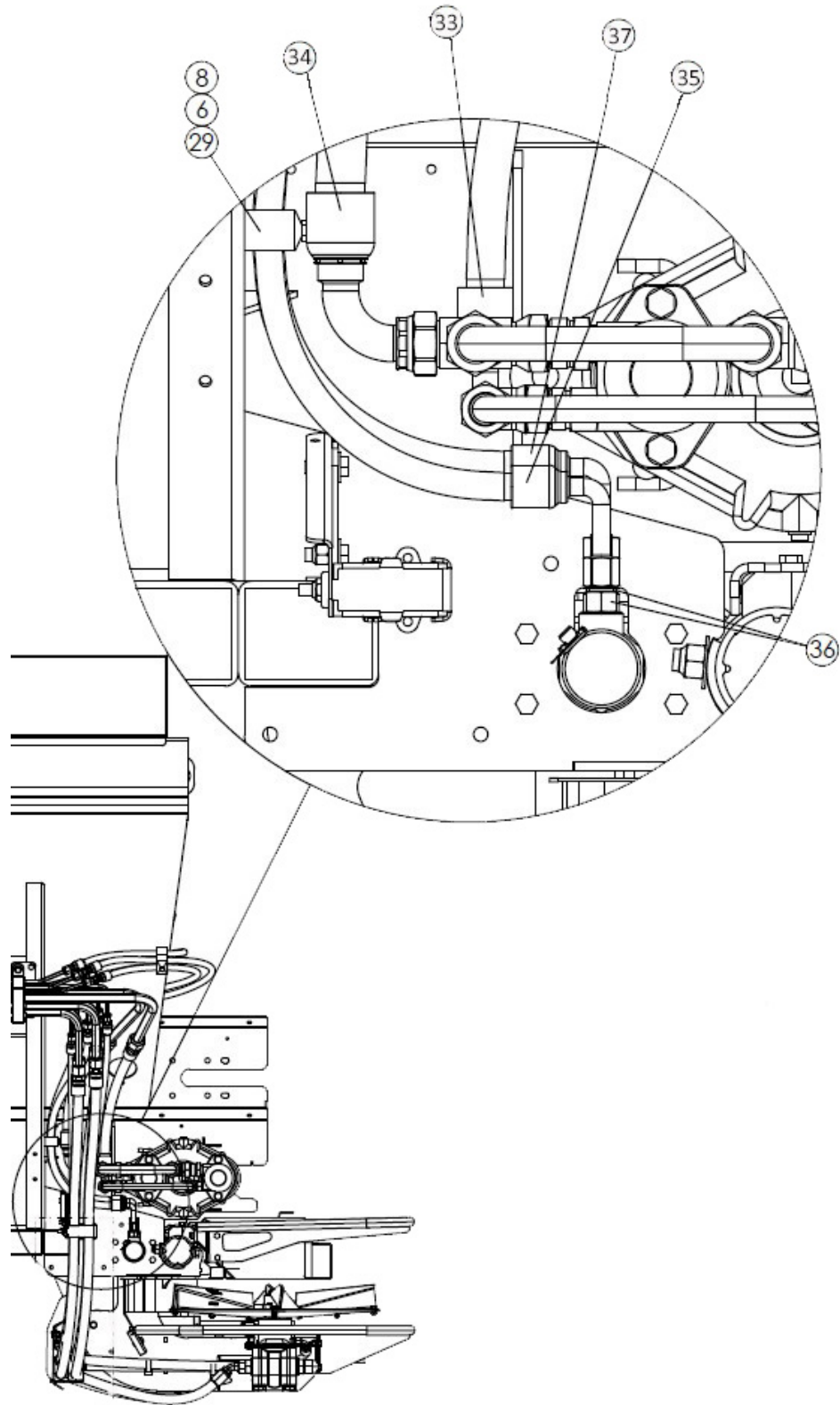
Main Bin Cont.



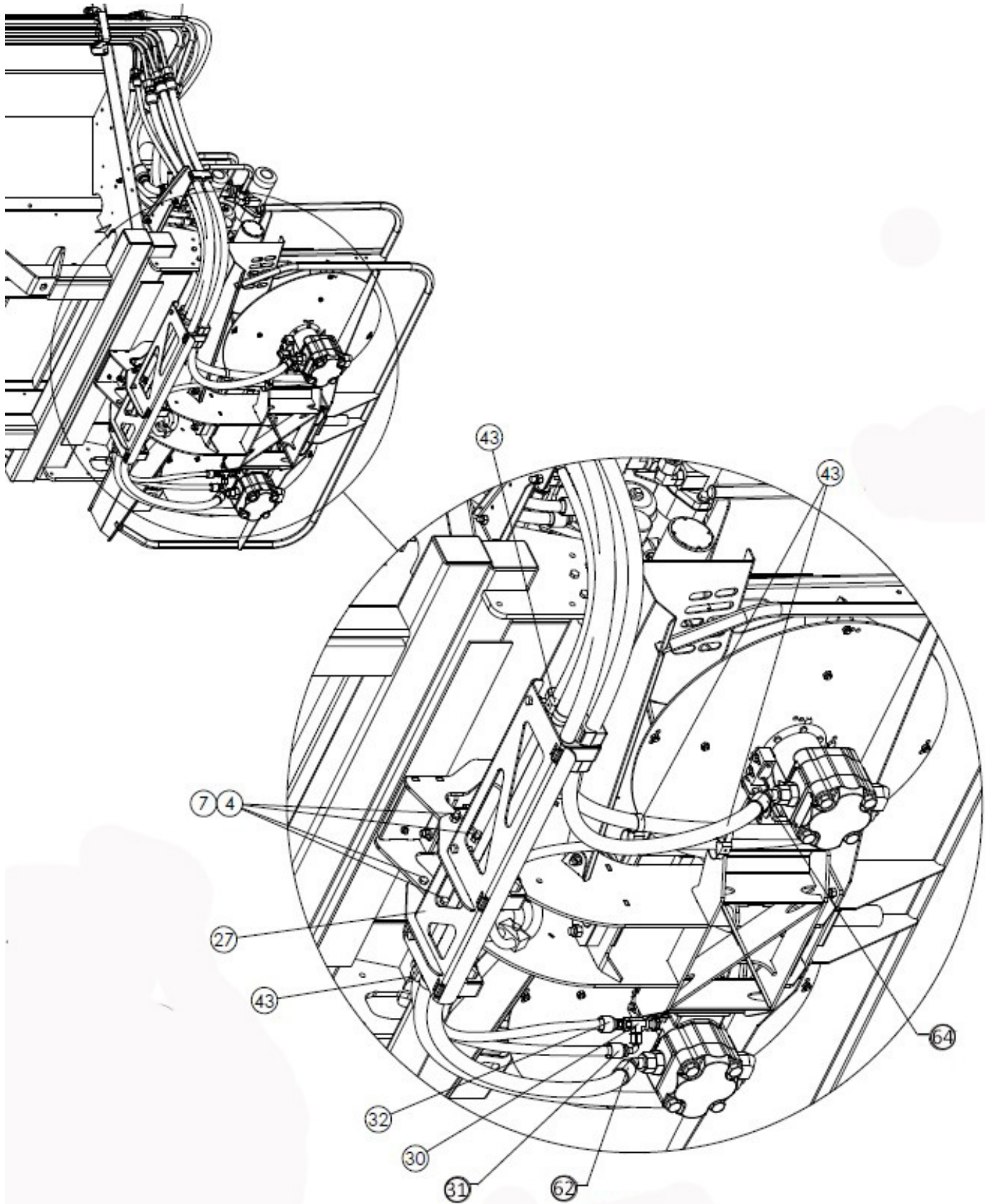
Main Bin Cont.



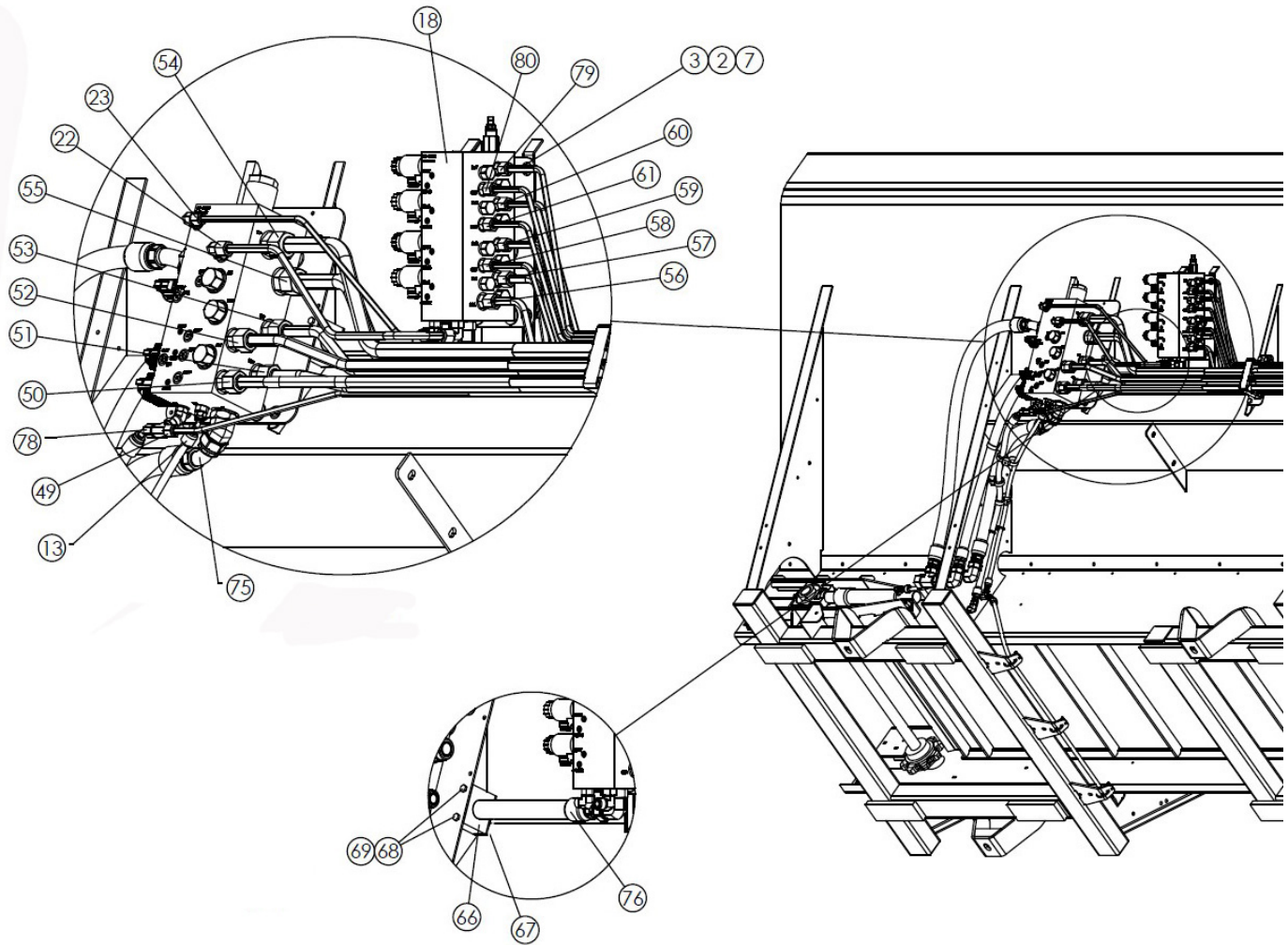
Main Bin Cont.



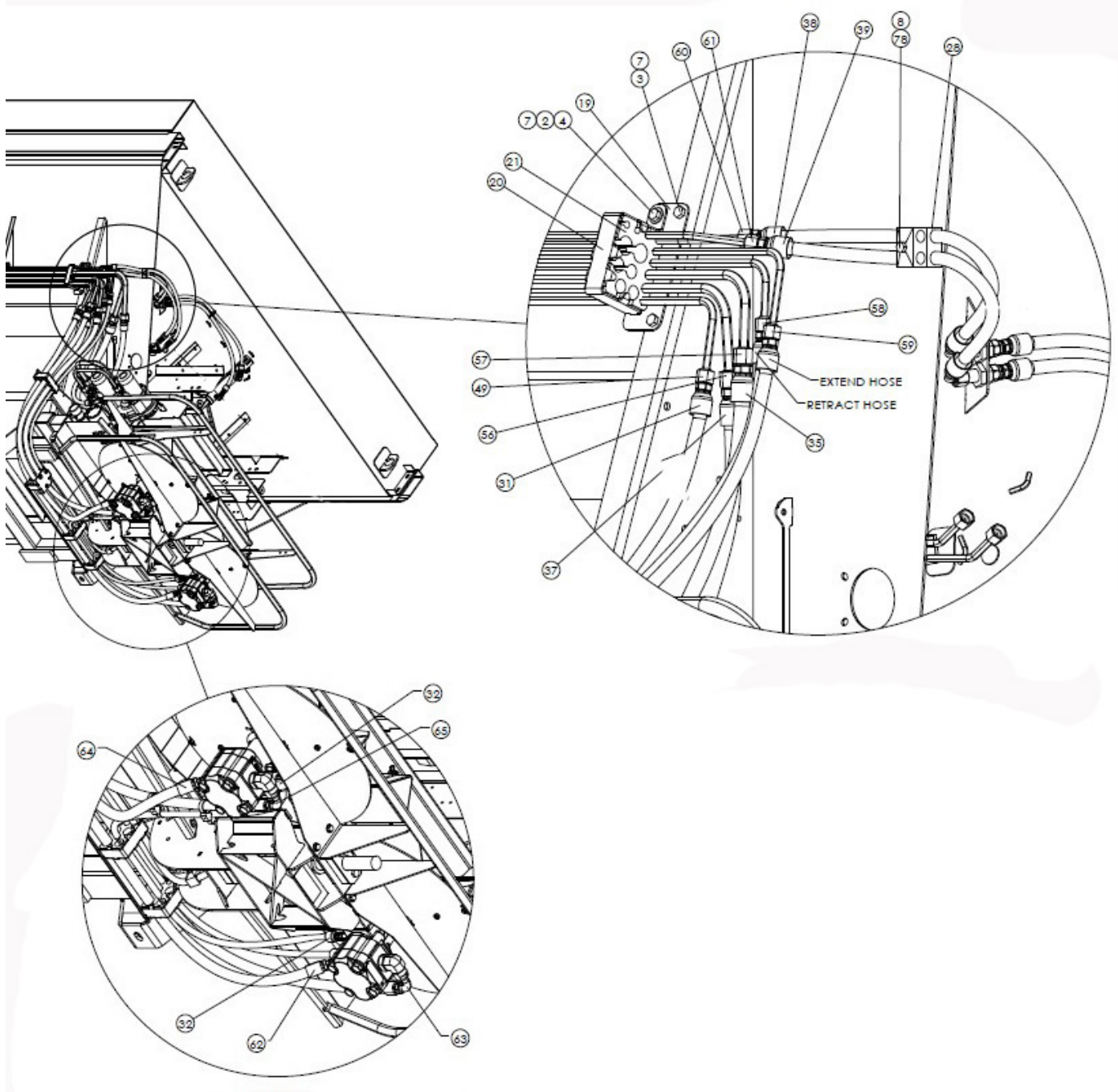
Main Bin Cont.



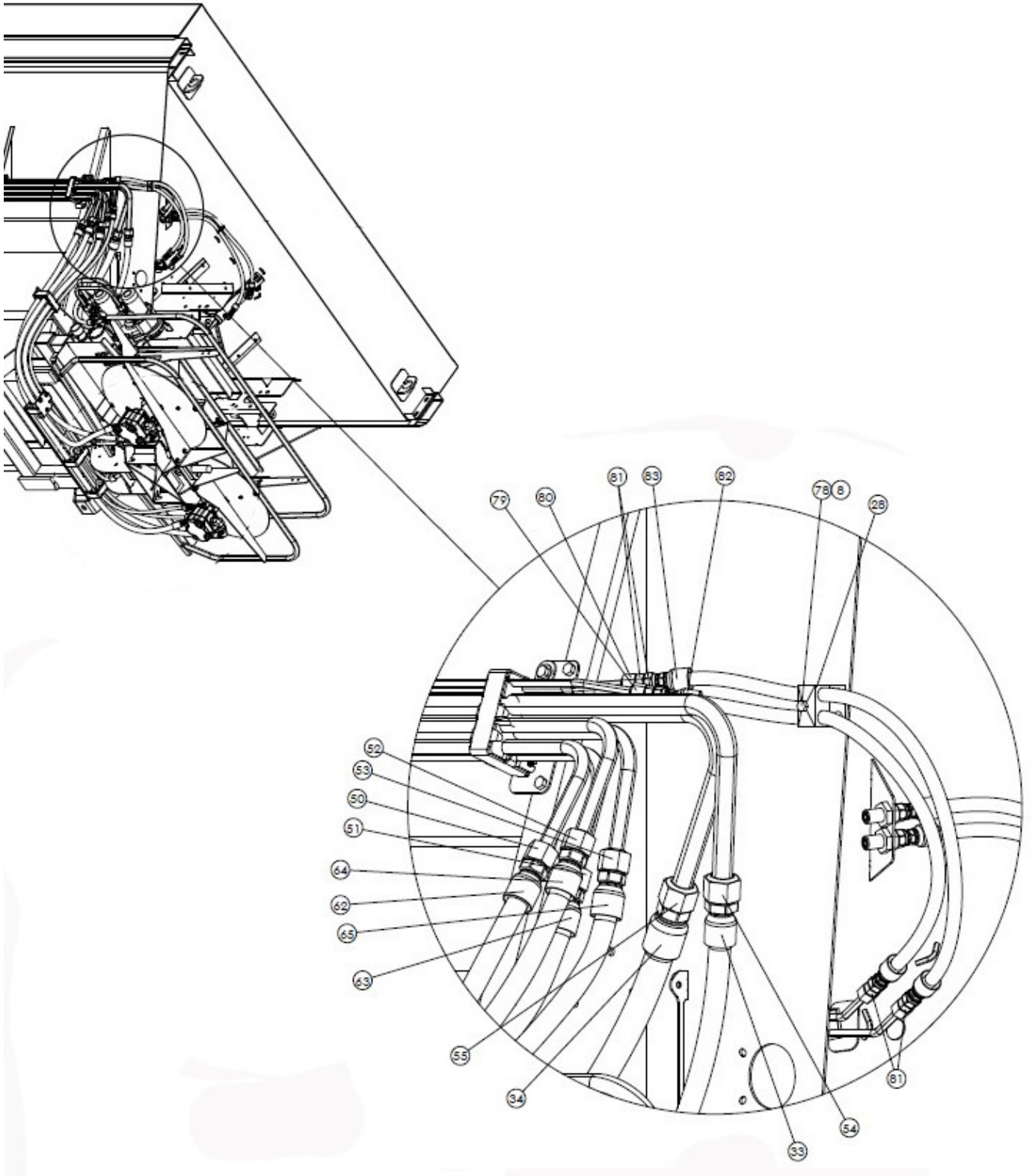
Main Bin Cont.



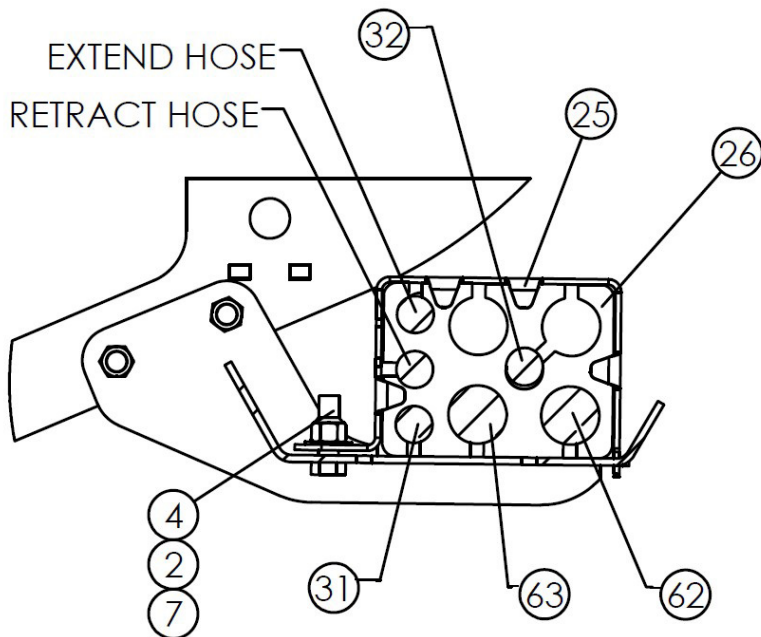
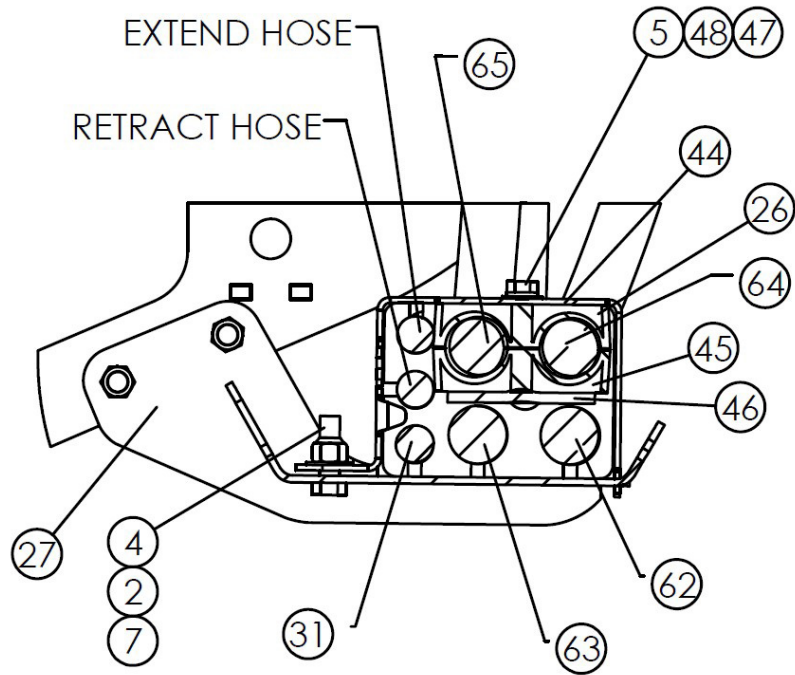
Main Bin Cont.



Main Bin Cont.



Main Bin Cont.



Body Hydraulics**Main Bin Cont.**

<u>ITEM</u>	<u>PART NO.</u>	<u>DESCRIPTION</u>	<u>QTY</u>
1	316269	VALVE - ASSY MOUNTING SPREADER CONTROL	1
2	36425	WASHER - FLAT .375 SS	18
3	36398	CAPSCREW - .375-16NC X 1 SS	18
4	36399	CAPSCREW - .375-16NC X 1.25 SS	12
5	309619	CAPSCREW - .313-18NC X 2.00 SS	2
6	71830	CAPSCREW - .313-18NC X 2.5 SS	1
7	72054	NUT - LOCK .375-16NC SS	30
8	42221	NUT - LOCK .313-18NC SS	2
9	313444	FITTING - 16 520118	2
10	312674	FITTING - 16 520112	2
11	313440	FITTING - 4-4-4 520958	1
12	313442	FITTING - 4 520118	2
13	313555	HOSE - ASSY .25 X 33 100R1	1
14	313441	FITTING - 4-4 520801	1
15	313556	HOSE - ASSY .25 X 52.5 100R1	1
16	312654	FITTING - 4-4 520220	2
17	313557	HOSE - ASSY .25 X 14.25 100R1	2
18	313896	VALVE - ASSY MOUNTING CYLINDER CONTROL	1
19	313394	PLATE - TUBE CLAMP MOUNT 304	4
20	313395	CLAMP - BAR TUBE 304	4
21	313396	CLAMP - RUBBER INSERT	4
22	315440	TUBE - ASSY .50OD X .049 X 17.46 304	1
23	313332	TUBE - ASSY .375OD X .035 X 19.24 304	1
24	313397	ANGLE-HOSE CLAMP MOUNT 304	1
25	313398	CLAMP BAR - HOSE 304	3
26	313399	CLAMP - RUBBER INSERT	4
27	313400	CHANNEL - WLDMNT HOSE CARRIER	1
28	305410	CLAMP - TUBING TWIN .625"	2
29	75036	CLAMP - TUBING TWIN .75"	1

Main Bin Cont.

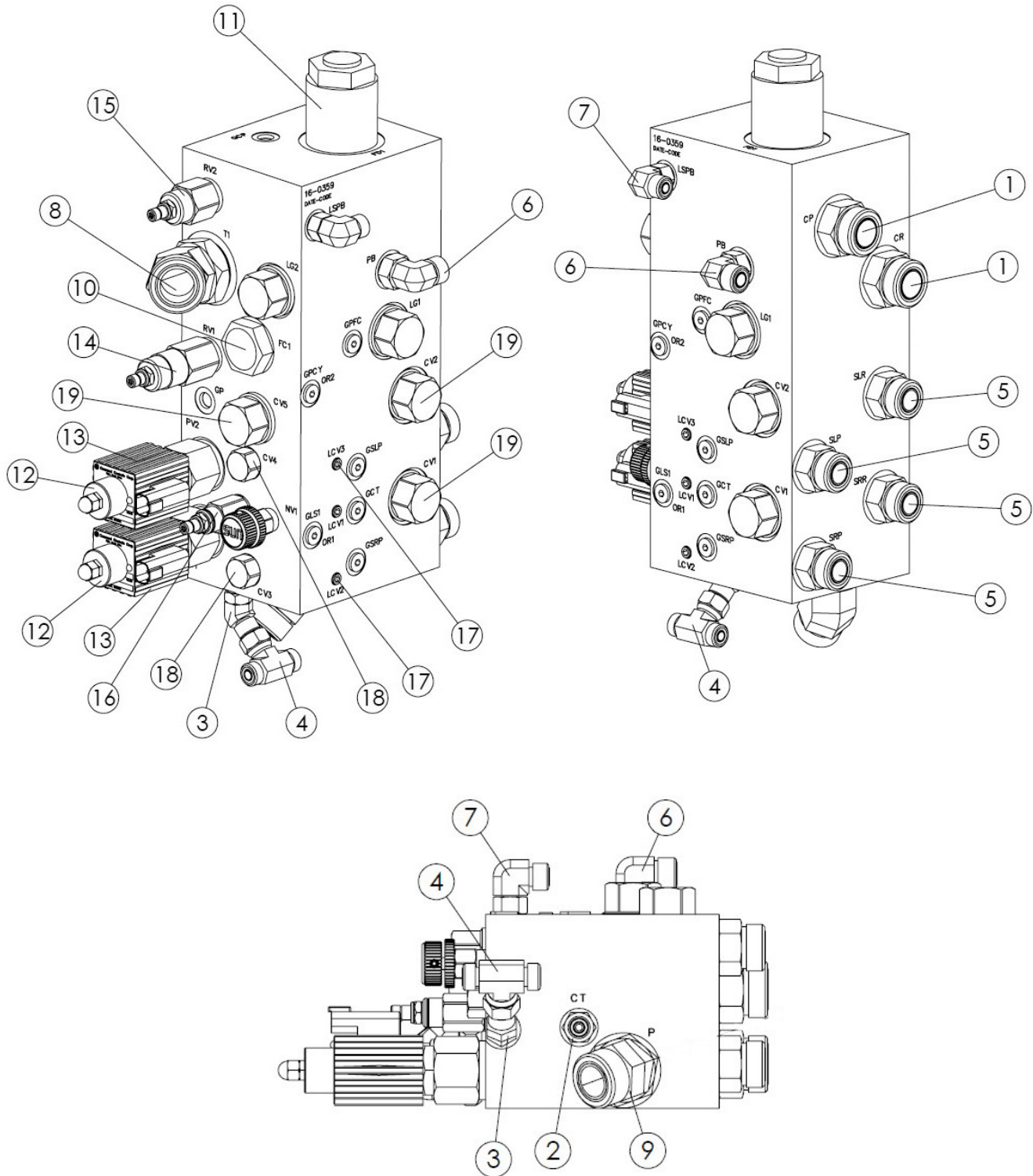
<u>ITEM</u>	<u>PART NO.</u>	<u>DESCRIPTION</u>	<u>QTY</u>
30	313457	FITTING - 6-6-6 520432	1
31	313536	HOSE – ASSY .38 X 102 100R1	1
32	313533	HOSE – ASSY .38 X 65 100R1	1
33	313541	HOSE – ASSY .75 X 20.5 100R16	1
34	313542	HOSE – ASSY 1 X 18.5 100R1	1
35	313539	HOSE – ASSY .5 X 32 100R16	1
36	313456	FITTING - 8-6 520120	2
37	313540	HOSE – ASSY .5 X 30.75 100R16	1
38	313545	HOSE – ASSY .38 X 27.5 100R1	1
39	313546	HOSE – ASSY .38 X 25.25 100R1	1
40	311806	TIE – WIRE FIR TREE	2
41	99674	TIE - WIRE	3
42	314506	FITTING – 6 520112	1
43	310648	TIE – DUAL CLAMP	8
44	315720	CLAMP BAR – HOSE 304	1
45	315721	CLAMP – TUBING TWIN 1.10"	2
46	314038	PLATE – WELD 304	2
47	36424	WASHER – FLAT .313 SS	2
48	36419	WASHER – LOCK .313 SS	2
49	315897	TUBE – ASSY .375OD X .035 X 123.06 304	1
50	315893	TUBE – ASSY .75OD X .065 X 118.13 304	1
51	315894	TUBE – ASSY .75OD X .065 X 118.13 304	1
52	315891	TUBE – ASSY .75OD X .065 X 120.13 304	1
53	315892	TUBE – ASSY .75OD X .065 X 120.13 304	1
54	315895	TUBE – ASSY 1.00OD X .083 X 124.65 304	1
55	315896	TUBE – ASSY 1.00OD X .049 X 121.37 304	1
56	315898	TUBE – ASSY .50OD X .049 X 99.13 304	1
57	315899	TUBE – ASSY .50OD X .049 X 100.50 304	1
58	315900	TUBE – ASSY .375OD X .035 X 101.81 304	1
59	315901	TUBE – ASSY .375OD X .035 X 102.81 304	1

Body Hydraulics

Main Bin Cont.

ITEM	PART NO.	DESCRIPTION	QTY
60	315903	TUBE – ASSY .375OD X .035 X 98.16 304	1
61	315904	TUBE – ASSY .375OD X .035 X 99.41 304	1
62	313534	HOSE – ASSY .75 X 102.75 100R16	1
63	313535	HOSE – ASSY .75 X 110 100R16	1
64	313531	HOSE – ASSY .75 X 77.75 100R16	1
65	313532	HOSE – ASSY .75 X 86.50 100R16	1
66	96926	CLAMP PAIR - 1.25" TUBE	2
67	96925	PLATE – TOP 1.25 TUBE	2
68	36396	CAPSCREW - .25-20NC X 3 SS	4
69	42034	NUT - LOCK .25-20NC SS	4
70	313468	FITTING - 6-6 520701	1
71	313467	FITTING – 6 520118	1
72	315939	FITTING - 16-16 520701	2
73	313463	FITTING - 16-16-16 520432	1
74	315935	HOSE – ASSY 1	1
75	315936	HOSE – ASSY 1	1
76	315937	HOSE – ASSY .75 X 58 100R4	1
77	315938	HOSE – ASSY .38 X 32 100R1	1
78	96258	CAPSCREW - .313-18NC X 3 SS	1
79	316105	TUBE – ASSY .375OD X .035 X 100.39 304	1
80	316106	TUBE – ASSY .375OD X .035 X 99.16 304	1
81	313487	FITTING - 6-6 520101S 304	4
82	313658	HOSE – ASSY .38 X 28.5 100R1 SS	1
83	313548	HOSE – ASSY .38 X 32.5 100R1 SS	1

Spreader Control Valve Assy



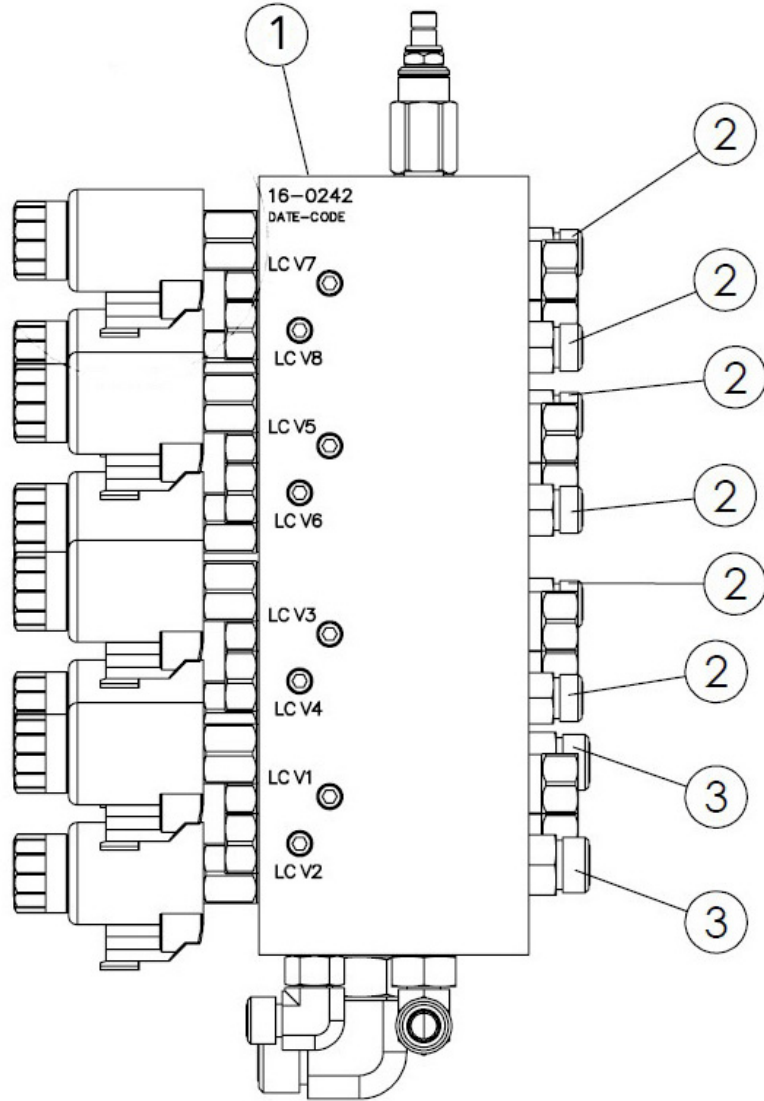
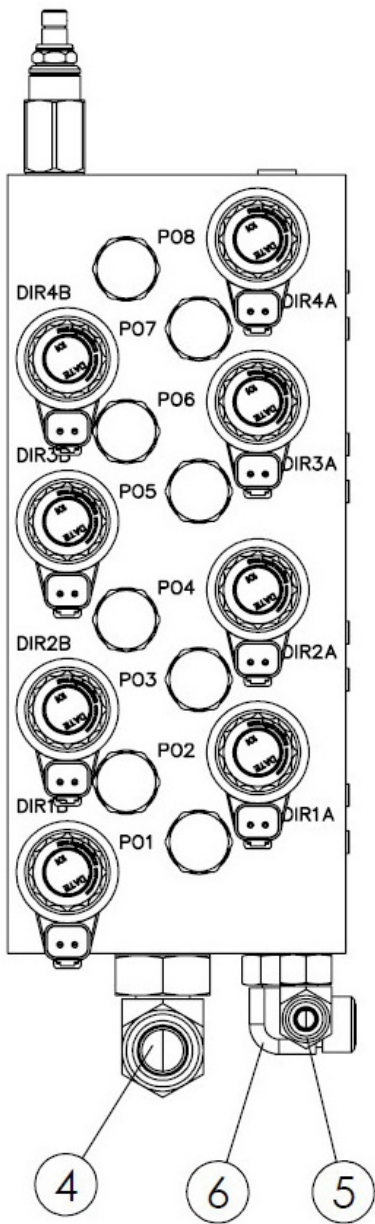
Body Hydraulics

Spreader Control Valve Assy Cont.

ITEM	PART NO.	DESCRIPTION	QTY
	316270	Valve - Assy Spreader Control W/ Flow Control Valve	1
	316271	Valve - Assy Spreader Control	1
1	312655	FITTING - 16-16 520120	2
2	313447	FITTING - 4-6 520120	1
3	313445	FITTING - 6-6 520320	1
4	313446	FITTING - 6-6-6 520433	1
5	313450	FITTING - 12-12 520120	4
6	313451	FITTING - 8-8 520220	1
7	3134526	FITTING - 6-6 520220	1
8	313449	FITTING - 20-20 520320	1
9	313448	FITTING - 16-16 520320	6
10	56311	FITTING - 16 090109A	1
11	316271-AA	VALVE - COMPENSATOR 50GPM SFP	1
12	317358	VALVE-PWM FLOW CONTROL 20GPM W/COIL	2
13	317359	COIL - PROPORTION 10 VDC DEUTSCH	2
14	311515-AD	VALVE-RELIEF SOFT START	1
15	311515-AE	VALVE - RELIEF	1
16	311515-AF	VALVE-PRESSURE REDUCING	1
17	311515-AG	VALVE- CHECK	2
18	311515-AH	VALVE- CHECK	2
19	311515-AI	VALVE- CHECK	3
20	*36398	Cap Screw - 3/8-16 NC x 1 SS	4
21	*311798	Washer - 13/32 ID x 1-1/4 OD x 10ga 304	4
22	*88050	Spacer	4
23	*311664	Washer - Step 5/8 ID x 7/8 OD x 1-1/4 OD x 7/64 Poly	8
24	*313392	Plate - Mount Valve 304	1

* - NOT SHOWN

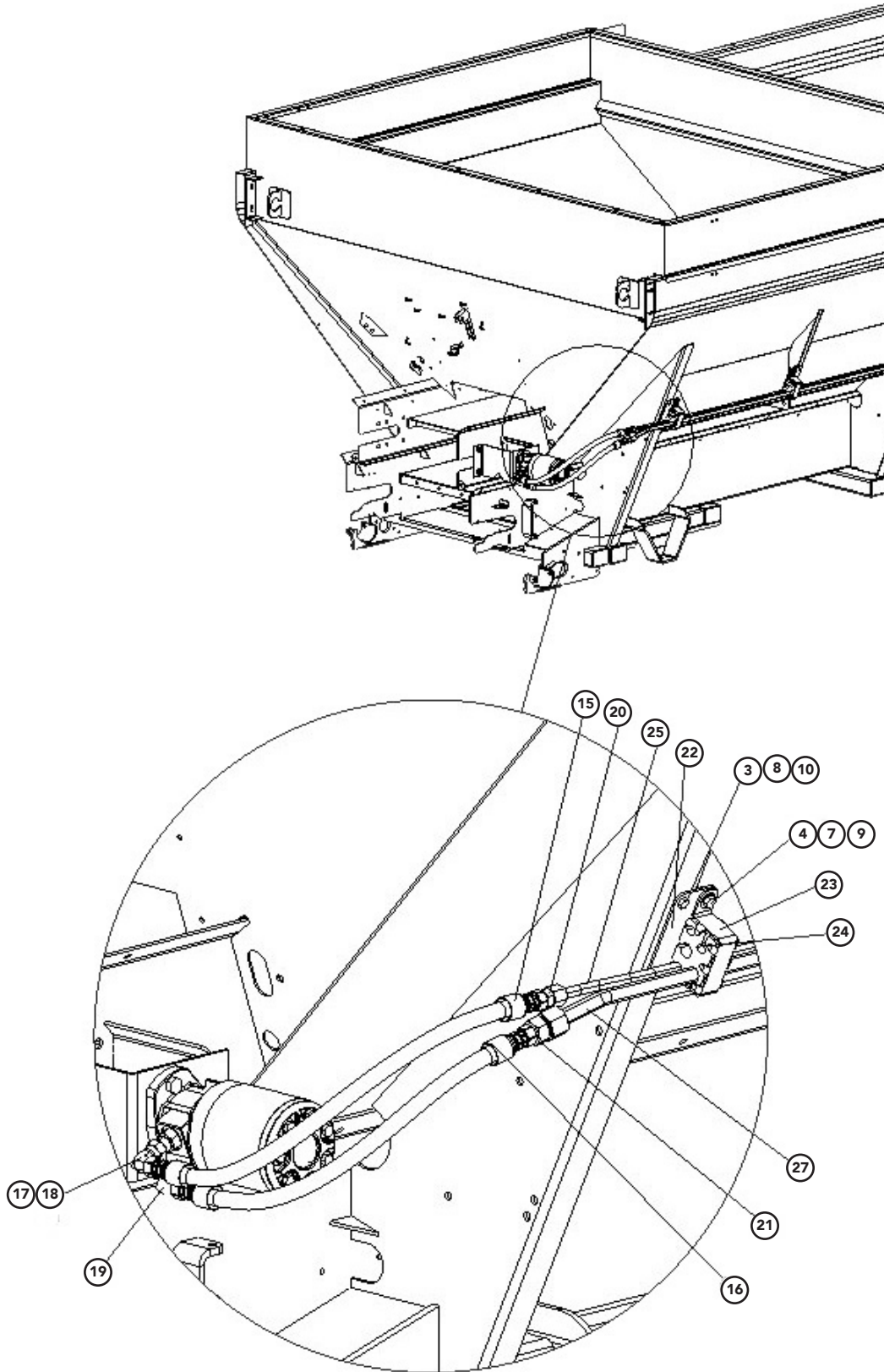
Cylinder Control Valve Assy



Cylinder Control Valve Assy Cont.

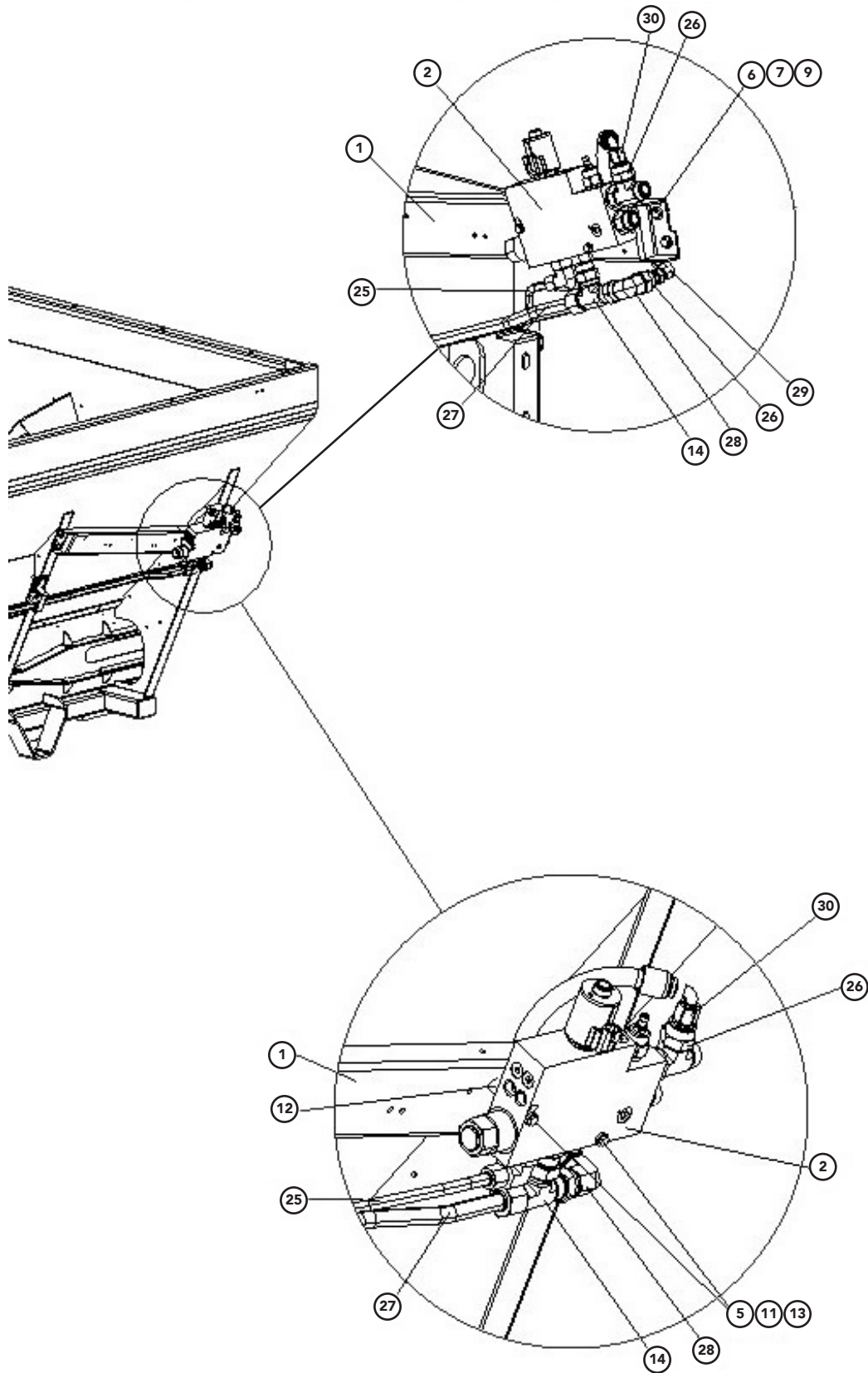
<u>ITEM</u>	<u>PART NO.</u>	<u>DESCRIPTION</u>	<u>QTY</u>
	313896	Valve - Assy Mounting Cylinder Control	1
1	313895	Valve - Assy Cylinder Control	1
2	313455	Fitting - 6-6 520120	6
3	313454	Fitting - 8-8 520120	2
4	313453	Fitting - 12-12 520220	1
5	313452	Fitting - 6-6 520220	1
6	313451	Fitting - 8-8 520220	1
7	*313393	Plate - Valve Mount 304	1
8	*36398	Cap Screw - 3/8-16NC x 1 SS	4
9	*311798	Washer - Special	4
10	*311664	Washer - Step Poly	8
11	*88050	Spacer	4

* - NOT SHOWN



Body Hydraulics

MultApplier Hydraulics Cont.

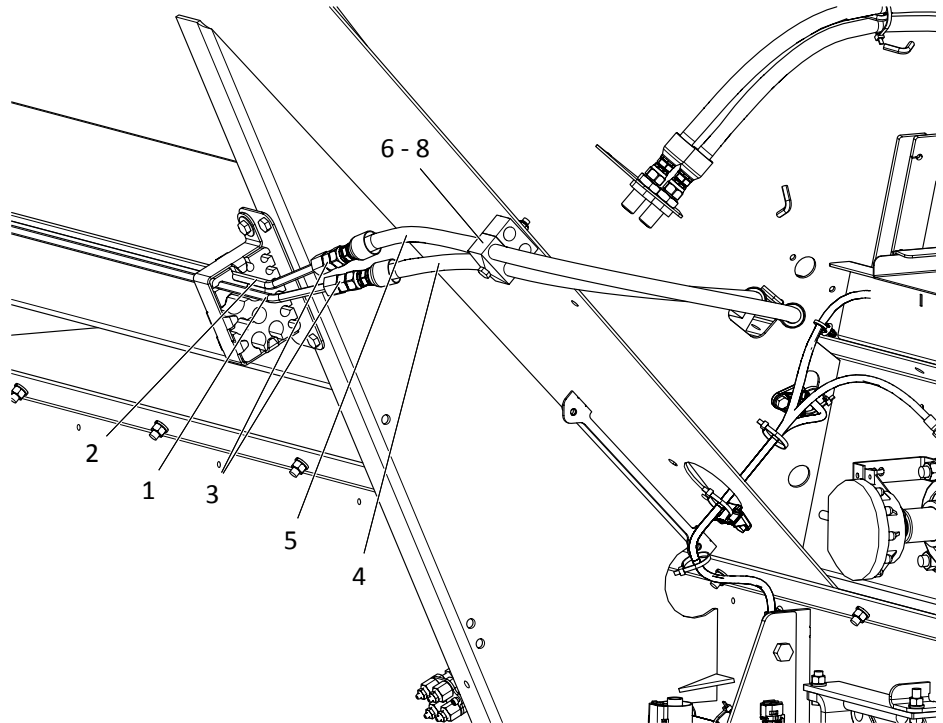
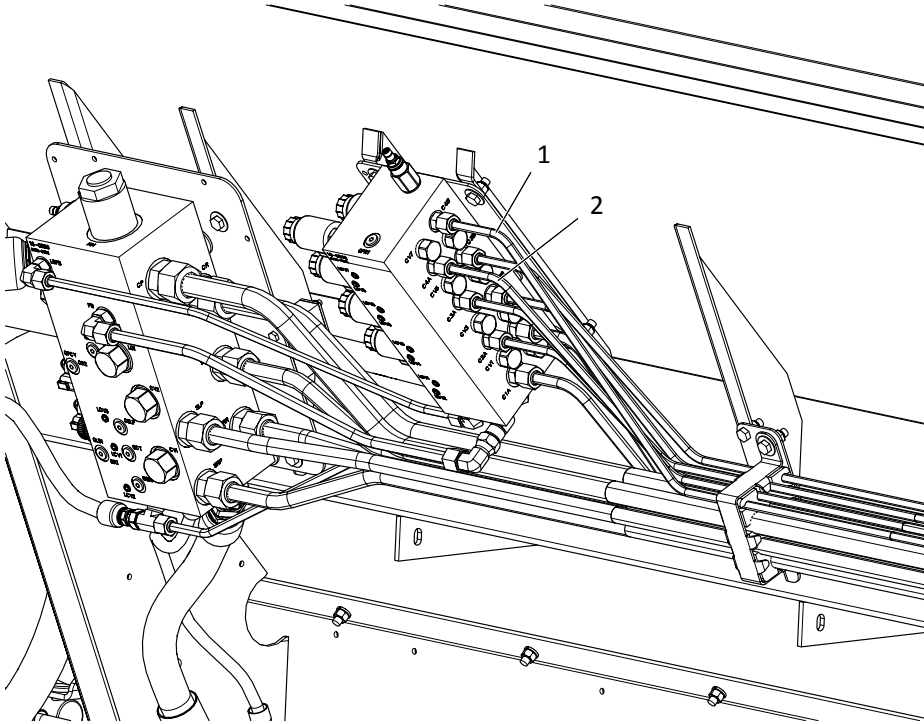


MultApplier Hydraulics Cont.

<u>ITEM</u>	<u>PART NO.</u>	<u>DESCRIPTION</u>	<u>QTY</u>
1	313388	BRACKET - VALVE MNTG SFP	1
2	316253	VALVE - ASSY W/ RELIEF	1
3	34580	CAPSCREW - .313-18NC X 1 SS	10
4	36399	CAPSCREW - .375-16NC X 1.25 SS	5
5	56396	CAPSCREW - .25-20NC X 3.25 SS	2
6	36398	CAPSCREW - .375-16NC X 1 SS	4
7	36425	WASHER- FLAT .375 SS	9
8	36424	WASHER - FLAT .313 SS	10
9	72054	NUT - LOCK .375-16NC SS	9
10	42221	NUT - LOCK .313-18NC SS	10
11	42034	NUT - LOCK .25-20NC SS	2
12	302098	WASHER - STEP .25ID X .4OD X .5THK	2
13	302097	WASHER - STEP .25ID X .4OD X .13THK	2
14	314789	FITTING - 12-12-12 520433S 304	1
15	313578	HOSE - ASSY .5 X 25.5 100R1 SS	1
16	313659	HOSE - ASSY .5 X 24 100R1 SS	1
17	313481	FITTING - 8-8 520221S 304	1
18	313480	FITTING - 8-10 520120S 304	1
19	313479	FITTING - 8-10 520220S 304	1
20	313477	FITTING - 8-8 520101S 304	1
21	313478	FITTING - 12-8 520101S 304	1
22	313389	PLATE - BRKT TUBE CLAMP MNTG 304	5
23	313390	CLAMP - BAR TUBE 304	5
24	313391	CLAMP - RUBBER INSERT	5
25	316103	TUBE - ASSY .50OD X .049 X 165.88 304	1
26	313475	FITTING - 12-8 520123A	2
27	317261	TUBE - ASSY .75OD X .065 X 170.09 304	1
28	313473	FITTING - 12-12 520221	1
29	304306	FITTING - 8-8 520221	1
30	316256	HOSE - ASSY .5 X 18.00 100R1	1

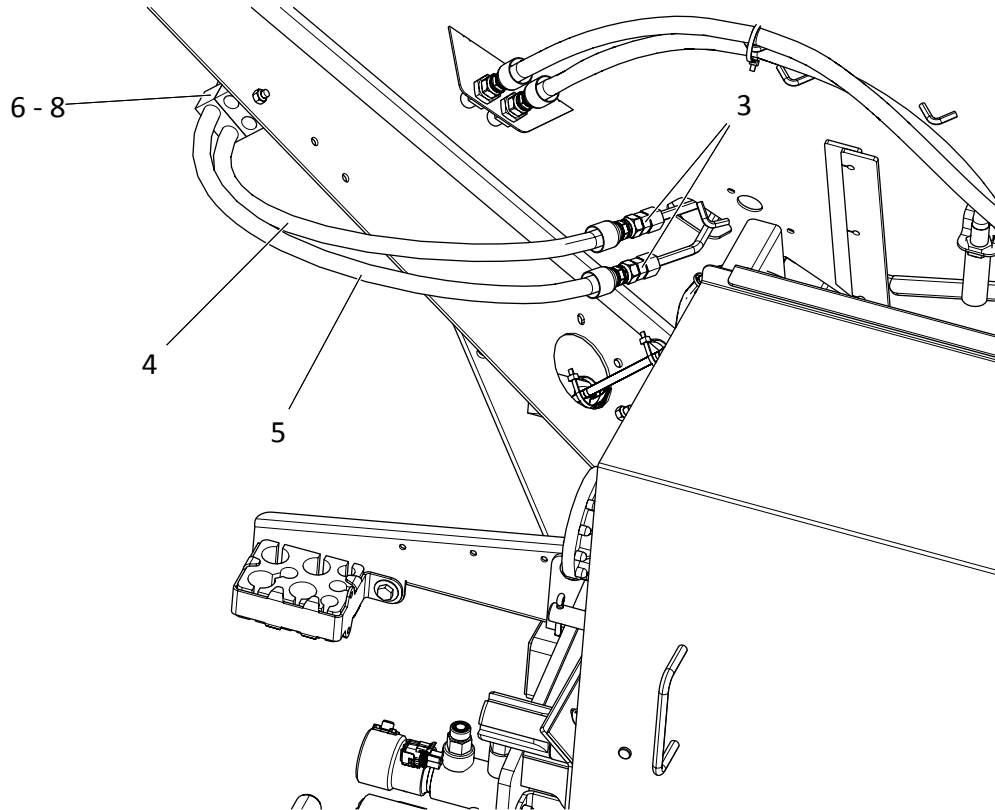
This page is intentionally left blank.

Left Hand Hydraulics - Insert



Body Hydraulics

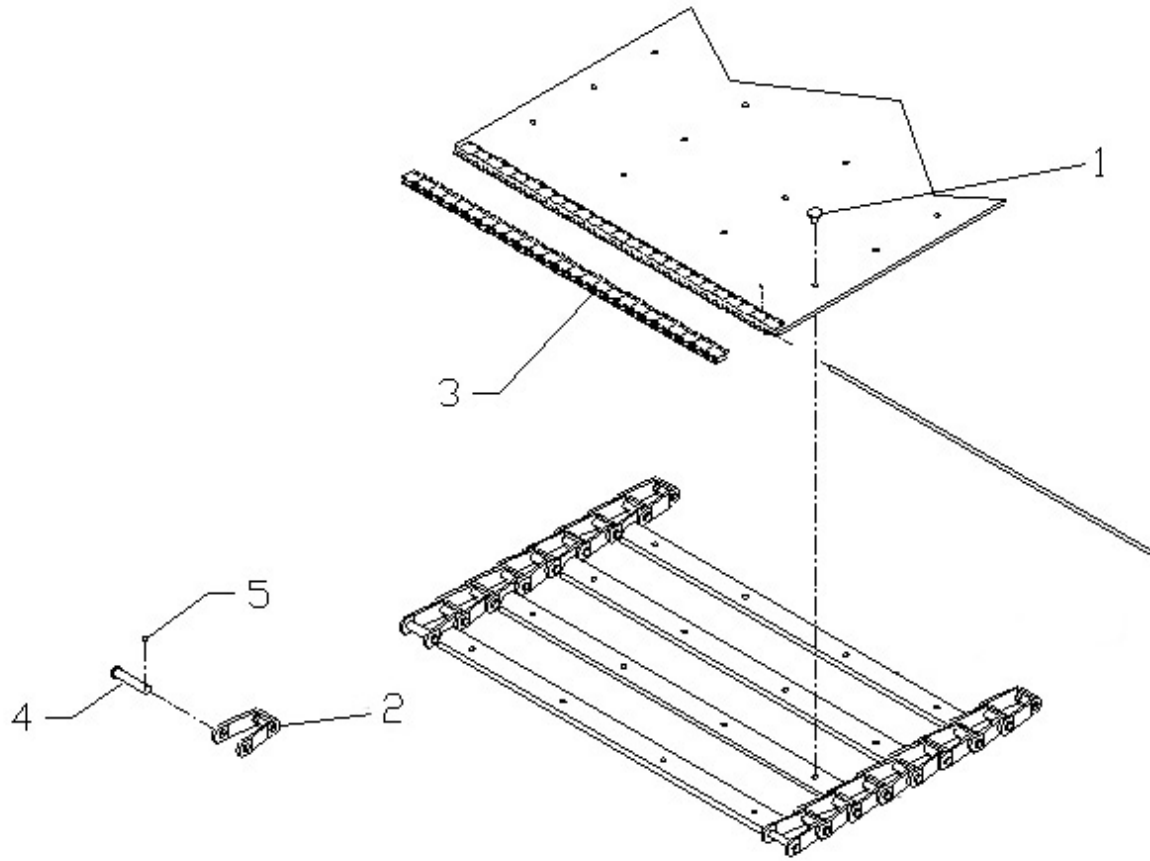
Left Hand Hydraulics - Insert Cont.



ITEM	PART NO.	DESCRIPTION	QTY
1	316105	Tube - Assy 3/8 x .035 304, 16' Unit	1
2	316106	Tube - Assy 3/8 x .035 304, 16' Unit	1
3	313487	Fitting - 6-6 520101S 304	4
4	313548	Hose - Assy SAE 6 x 32-1/2 100R1 SS	1
5	313658	Hose - Assy SAE 6 x 28-1/2 100R1 SS	1
6	96258	Cap Screw - 5/16-18NC x 3 SS	1
7	42221	Nut - Lock 5/16-18NC SS	1
8	305410	Clamp - Tubing Twin 5/8	1

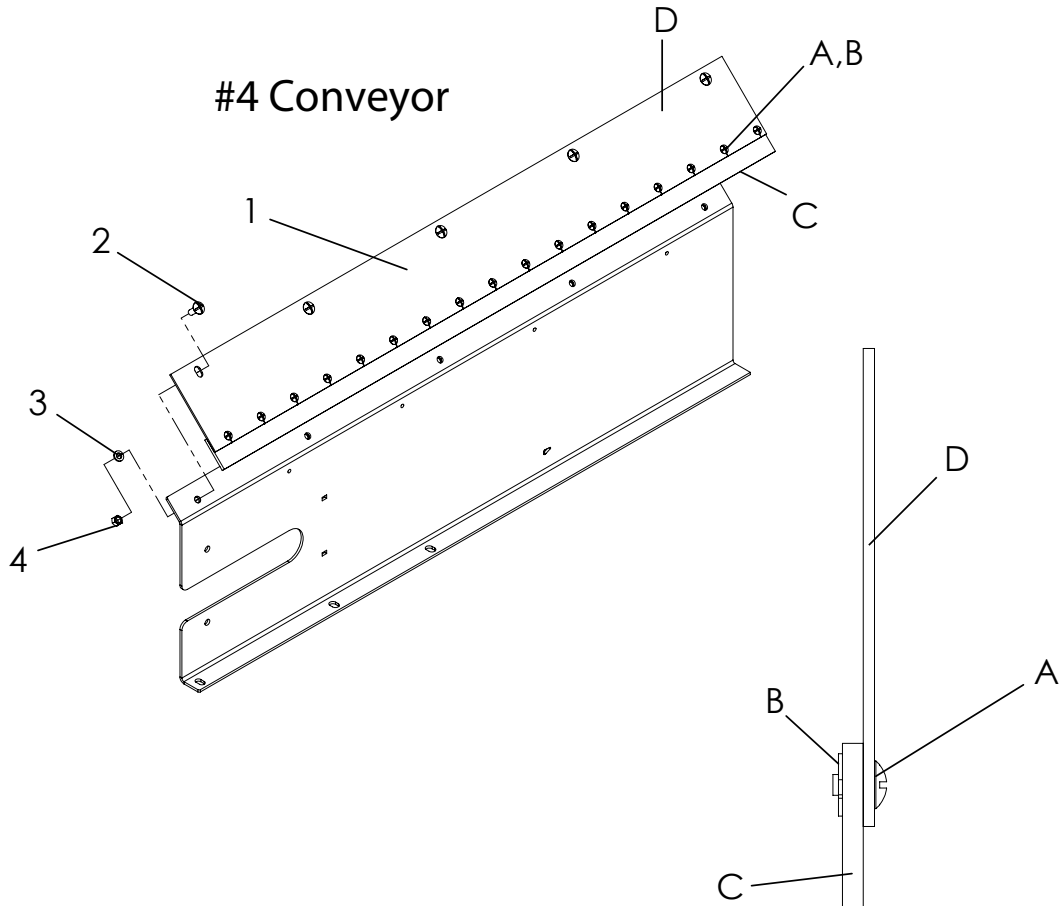
NOTE: The following parts are required to convert a single bin unit to MultiApplier or MultiBin ready. See previous pages for details on main bin hydraulics.

#4 Belt-Over-Chain Conveyor



ITEM	PART NO.	DESCRIPTION	QTY
	311465-AE	Belt-Over-Chain - #4 16' MOR	1
1	305646	Screw - #4BOC 1/4 x 9/16 torx Flat Head	336
2	310295	Crossbar - Wldmt w/ Links, Includes Items 4 & 5	AR
3	73317	Kit – Splicer	1
4	36697	Pin – Pintle Chain	AR
5	20817	Pin – Cotter	AR
6	36699	Link – Pintle Chain	AR

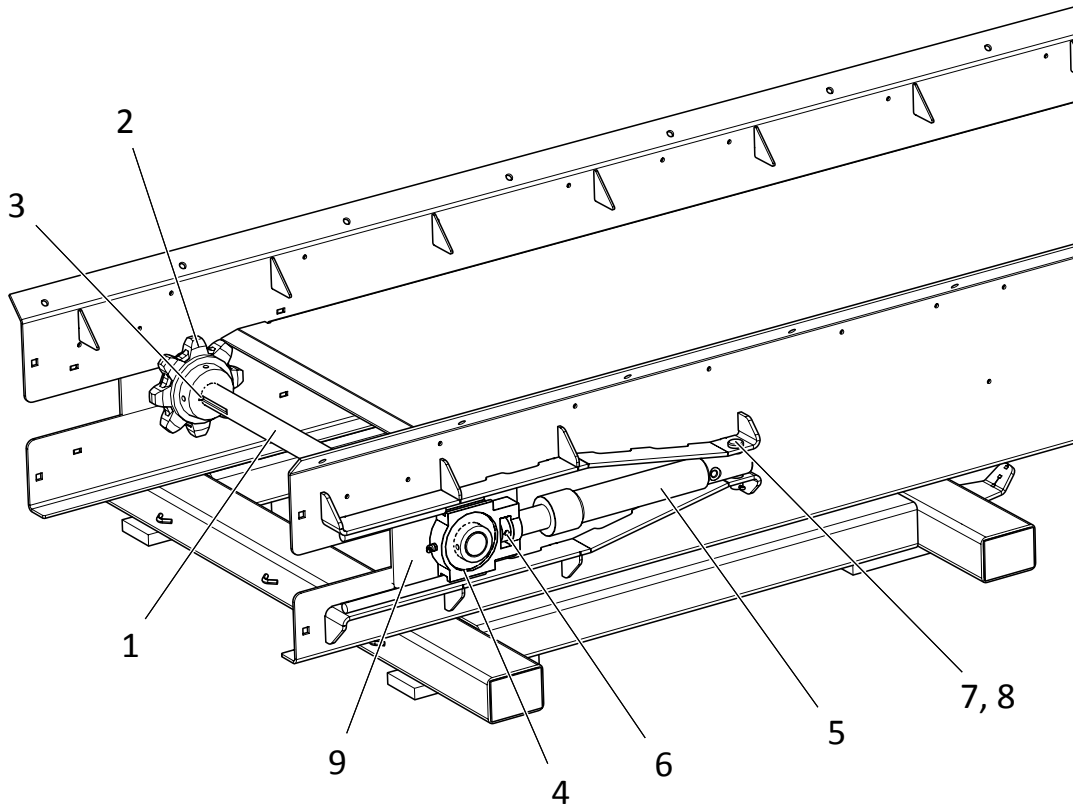
Chain Shields



<u>ITEM</u>	<u>PART NO.</u>	<u>DESCRIPTION</u>	<u>QTY</u>
1	315915	Chain Shield – #4 Chain, Includes A - C	2
A	56258	Screw – Truss Head 1/4-20NC x 1/2 SS	68
B	88931	Nut – Tee 1/4 x 1/4	68
C	313235	Sealer - Belt, #4 BOC Shield	AR
2	71829	Screw - Truss Head 3/8-16NC x 1 SS	25
	98321	Screw - Truss Head 3/8-16NC x 1-1/4 SS	11
3	36420	Washer – Lock 3/8-16NC SS	36
4	36414	Nut – Hex 3/8-16NC SS	36

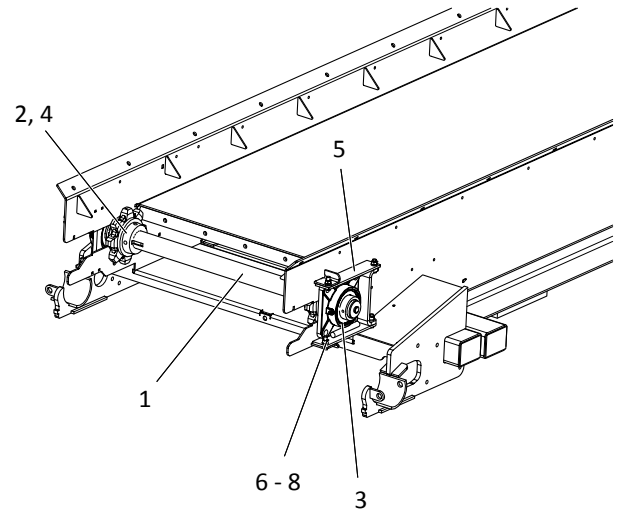
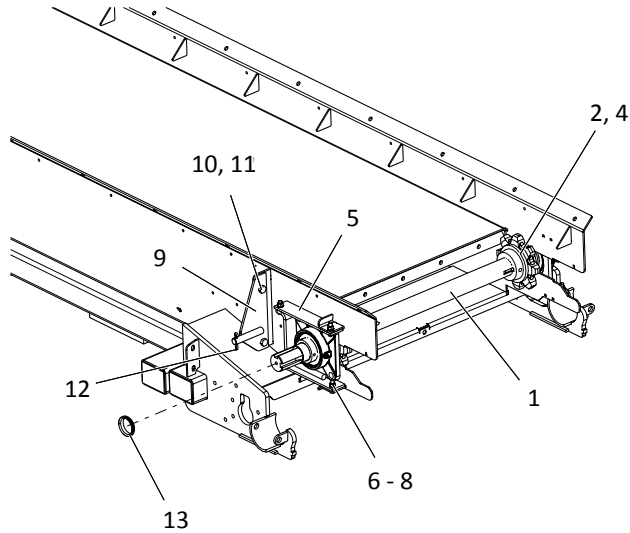
AR - As Required

Conveyor Idler



ITEM	PART NO.	DESCRIPTION	QTY
	97053	Shaft - Idler Assembly, Includes Items 1 - 4	1
1	82799	Shaft - Idler	1
2	97051	Sprocket - Idler	2
3	2135	Key - Square 5/16 x 2-1/2	2
4	22511	Bearing - Take-up	2
5	311359	Cylinder - Ram 1-1/2 x 8"	2
	312938	Kit - Seal, Snap-in Rod Wiper	1
	312939	Kit - Seal, Press-in Rod Wiper	1
6	2696	Collar - Set 1"	2
7	89630	Pin - Clevis 3/4 x 2-3/4	2
8	20822	Pin - Cotter	2
9	311670	Plate - Cover	2

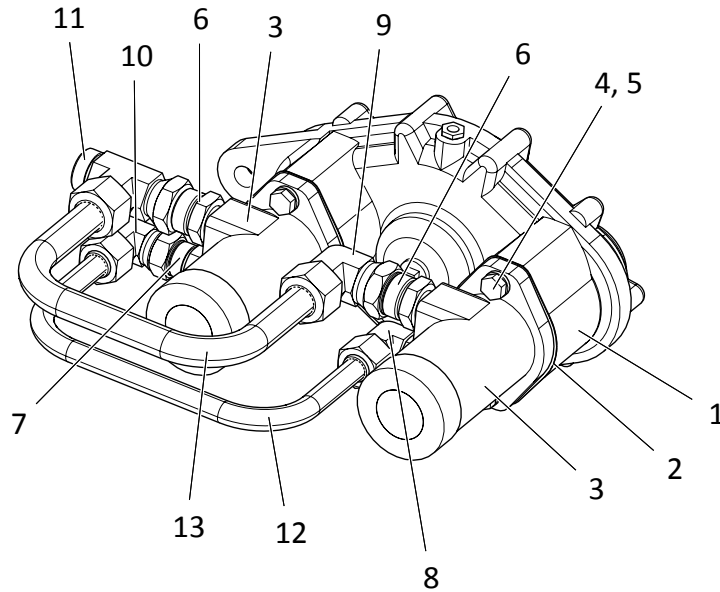
Conveyor Drive



<u>ITEM</u>	<u>PART NO.</u>	<u>DESCRIPTION</u>	<u>QTY</u>
	97052	Shaft - Drive Assy, Includes Items 1 - 5	
1	310606	Shaft – Drive	1
2	88276	Sprocket	2
	20743	Screw – Set 5/16 x 3/8	1
3	6465	Bearing	2
4	6131	Key – Square 3/8 x 1 1/2	2
5	82885	Guide – Bearing	4
6	36399	Cap Screw - 3/8 x 1 1/4	8
7	36420	Washer – Lock 3/8	8
8	36414	Nut – Hex 3/8	8
9	313231	Bracket – Torque Arm LH	1
10	20128	Cap Screw - 1/2 x 1 1/4	2
11	20680	Nut – Lock 1/2	2
12	20833	Pin – Cotter 1/4 x 1 1/2	1
13	311172	V-Ring Seal	1

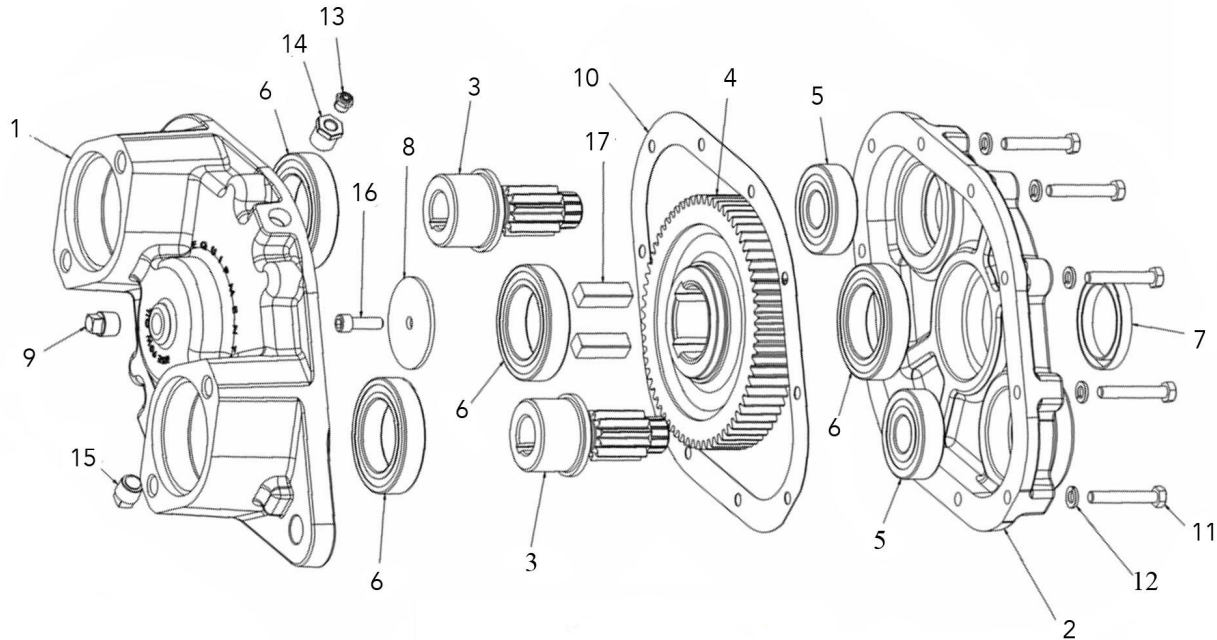
* Not Shown

Gearcase Assembly



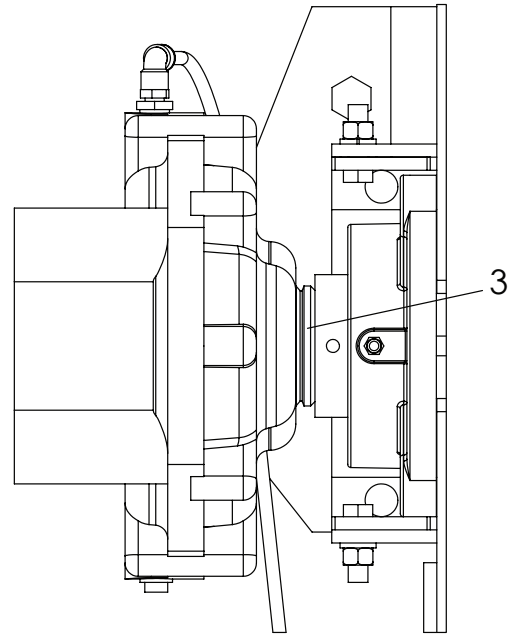
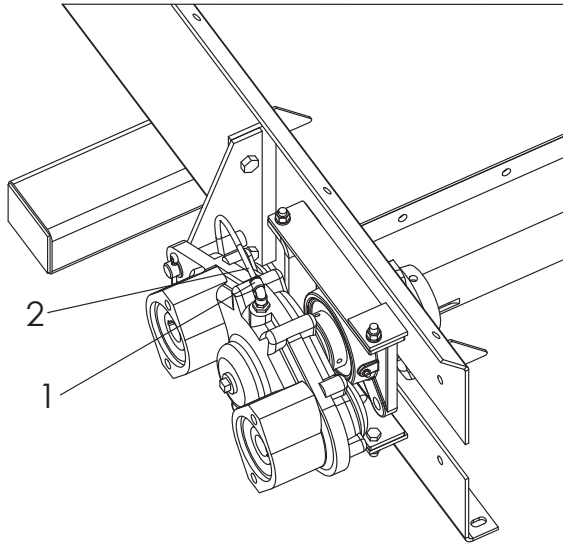
ITEM	PART NO.	DESCRIPTION	QTY
1	37985	Gearcase - Assy Dual Pinion 6:1	1
2	74524	Gasket - SAE 101-2 (B)	2
3	55970	Motor - Hydraulic 11.3 CID	2
4	20714	Washer - Lock 1/2	4
5	20129	Cap Screw - 1/2-13NC x 1-1/2	4
6	313460	Fitting - 16-10 520120	2
7	313459	Fitting - 12-10 520120	1
8	313458	Fitting - 12-10 520220	1
9	313461	Fitting - 16-16 520221	1
10	313462	Fitting - 12-12-12 520433	1
11	313463	Fitting - 16-16-16 520432	1
12	313318	Tube - Assy 304	1
13	313319	Tube - Assy 304	1

Gearcase Service Parts



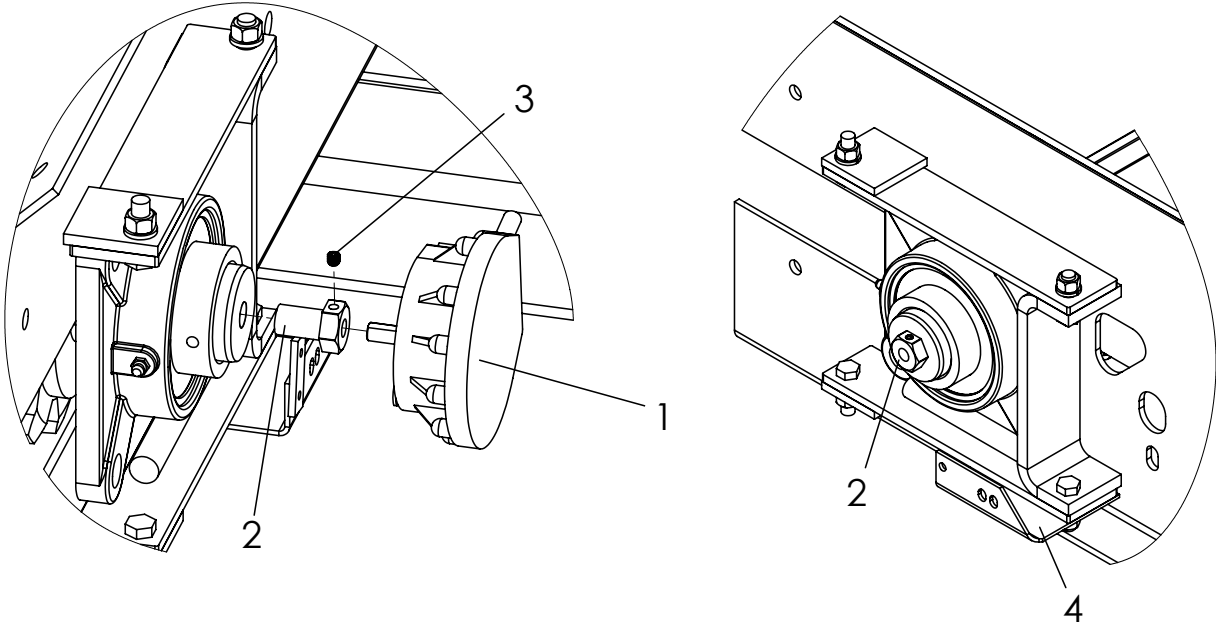
ITEM	PART NO.	DESCRIPTION	QTY
	37985	Gearcase - Assy Dual Pinion 6:1	1
1	304557	Housing – Outboard	1
2	304558	Housing – Inboard	1
3	304561	Gear – Pinion 11 Tooth	2
4	304562	Gear – Driven 67 Tooth	1
5	37007	Bearing	2
6	37008	Bearing	4
7	37006	Seal – Oil	1
8	38979	Washer – Flat 2-1/2 x 11/32	1
9	6031	Plug – Pipe	1
10	304564	Gasket – Housing	1
11	20040	Cap Screw – 5/16NC x 2	10
12	20711	Washer – Lock 5/16	10
13	2564	Cap – Breather	1
14	27465	Bushing – Pipe 1/8 x 3/8	1
15	21490	Plug – Pipe Magnetic	1
16	38980	Screw – Allen Head 5/16-18 x 1	1
17	37010	Key - 1/2 x 1/2 x 1-1/2	2

Gearcase Breather Tube



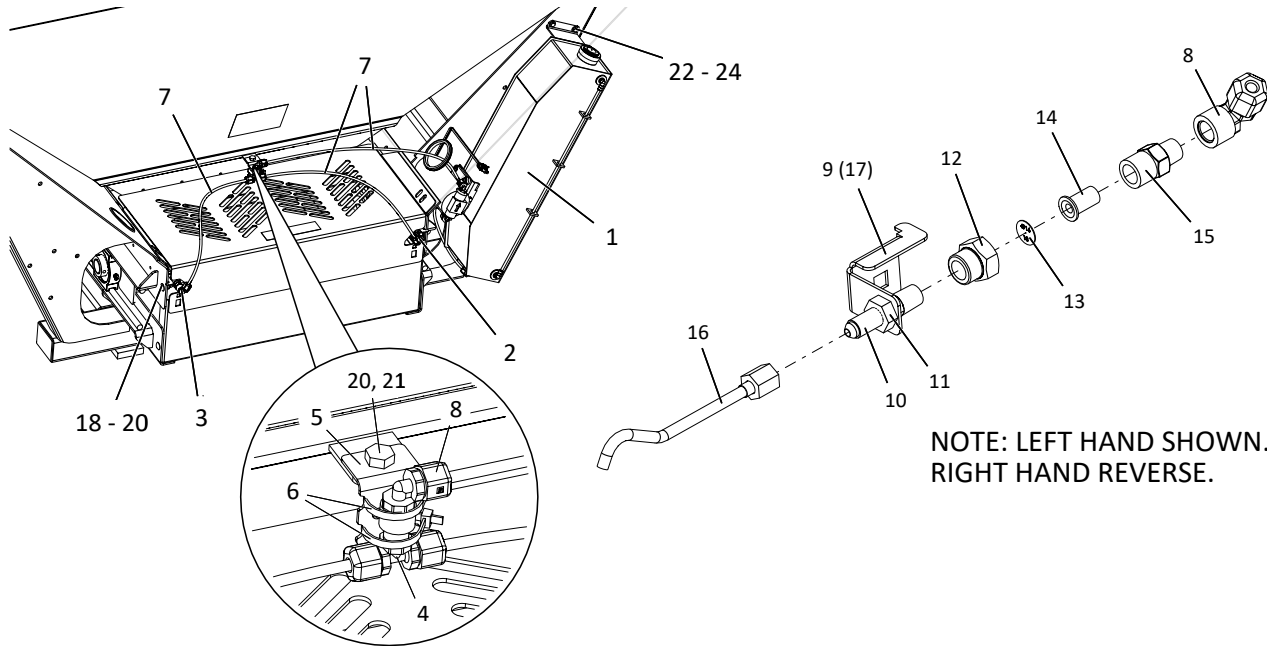
ITEM	PART NO.	DESCRIPTION	QTY
1	306891	Fitting - 4-2 630202K	1
2	9005-0-7761	Tubing - 1/4" OD Air Brake Black	1.5 ft
3	311172	V-Ring Seal	1

Encoder



<u>ITEM</u>	<u>PART NO.</u>	<u>DESCRIPTION</u>	<u>QTY</u>
1	303994	Encoder – 180 with Hardware	1
2	310601	Coupler - Rate Sensor SS	1
3	310603	Screw - Set 1/4-20NC x 5/16 SS	1
4	304946	Bracket - Sensor, Drive Mount	1

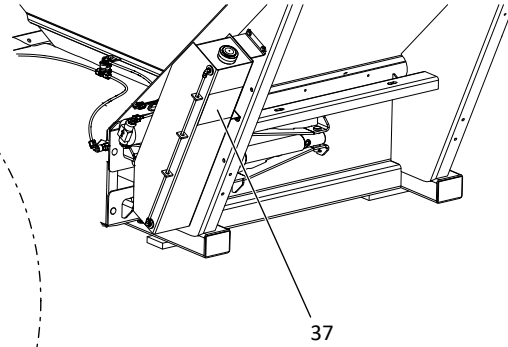
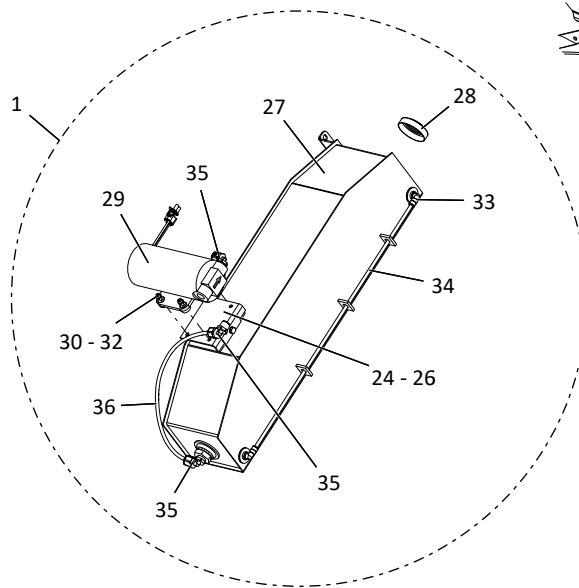
Conveyor Chain Oiler



NOTE: LEFT HAND SHOWN.
RIGHT HAND REVERSE.

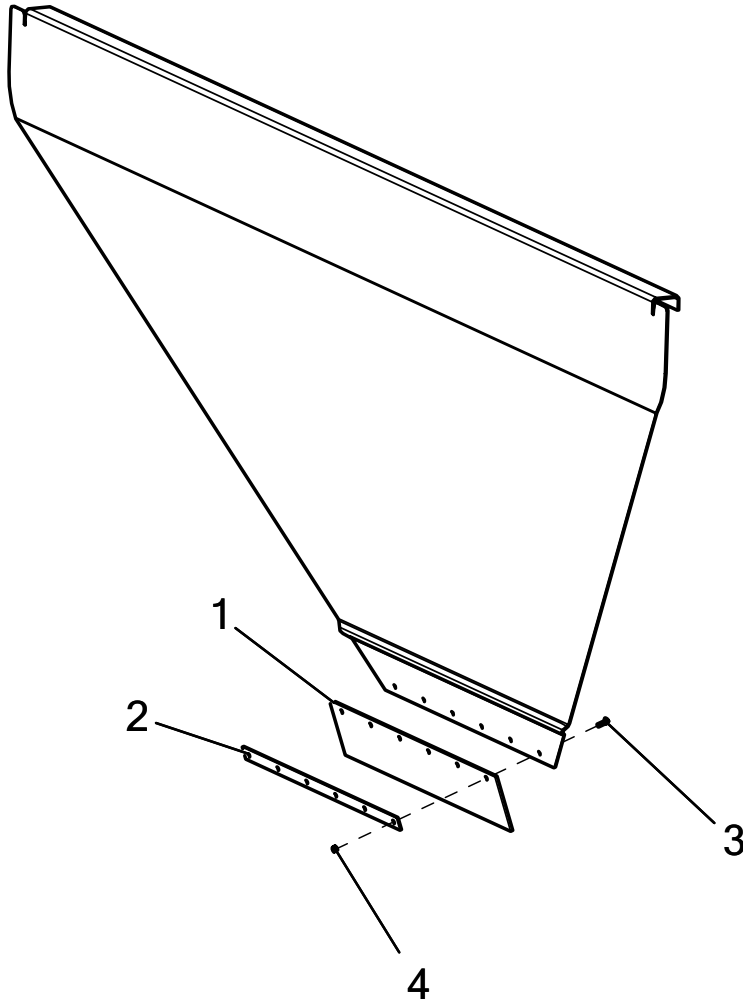
ITEM	PART NO.	DESCRIPTION	QTY
1	310760	Tank - Assy Chain Oiler, Includes Items 24 - 37	1
2	314019	Nozzle - Assy LH, Includes Items 8 - 16, 37	1
3	314020	Nozzle - Assy RH, Includes Items 8, 10 - 17, 37	1
4	309905	Tee - HDPP 1/4 NPT Male x 1/4 Tube	1
5	306804	Bracket - Coupling	1
6	99674	Tie - Wire	2
7	301338	Tubing - Black 1/4" Nylon	24" 1 20" 2
8	309904	Elbow - HDPP 1/4 NPT Fem x 1/4 Tube	3
9	314016	Angle - Nozzle Mount LH	1
10	314012	Fitting - 4-4 070602	2
11	314261	Fitting - 4 070118	2
12	314014	Fitting - Outlet 1/4 NPT Fem x 1/4 TT Fem Nylon	2
13	314013	Plate - Orifice SS	2
14	306651	Strainer - w/ Check Valve	2
15	314015	Fitting - Adapter 1/4 NPT Male x 1/4 TT Male Nylon	2
16	314018	Nozzle - Tube 304	2
17	314017	Angle - Nozzle Mount RH	1
18	36398	Cap Screw - 3/8-16NC x 1 SS	2
19	36425	Washer - Flat 3/8 SS	4

Conveyor Chain Oiler Cont.



<u>ITEM</u>	<u>PART NO.</u>	<u>DESCRIPTION</u>	<u>QTY</u>
20	72054	Nut - Lock 3/8-16NC SS	3
21	36293	Cap Screw - 3/8-16NC x 3/4 SS	1
22	36423	Washer - Flat 1/4 SS	8
23	42034	Nut - Lock 1/4-20NC SS	4
24	36393	Cap Screw - 1/4-20NC x 3/4 SS	5
25	36418	Washer - Lock 1/4 SS	1
26	304409	Mount - Pump	1
27	304398	Tank - Wldmt Chain Oiler, Includes Cap	1
28	21980	Cap - Vented	1
29	304390	Pump - Assy w/ Connector	1
30	44454	Screw - Socket Head #10-24NC x 1 SS	4
31	171052	Washer - Flat #10 SS	8
32	56355	Nut - Lock #10-24NC SS	4
33	301337	Fitting - 90° Male 1/8 NPT	2
34	306437	Tubing - Clear .25"OD X .180 ID X 24.75"	1
35	309902	Elbow - HDPP 3/8 NPT Male x 1/4 Tubing	3
36	301338	Tube - 1/4 Black Nylon	15" 1
37	21476	Decal - Notice, Conveyor Chain Life	1

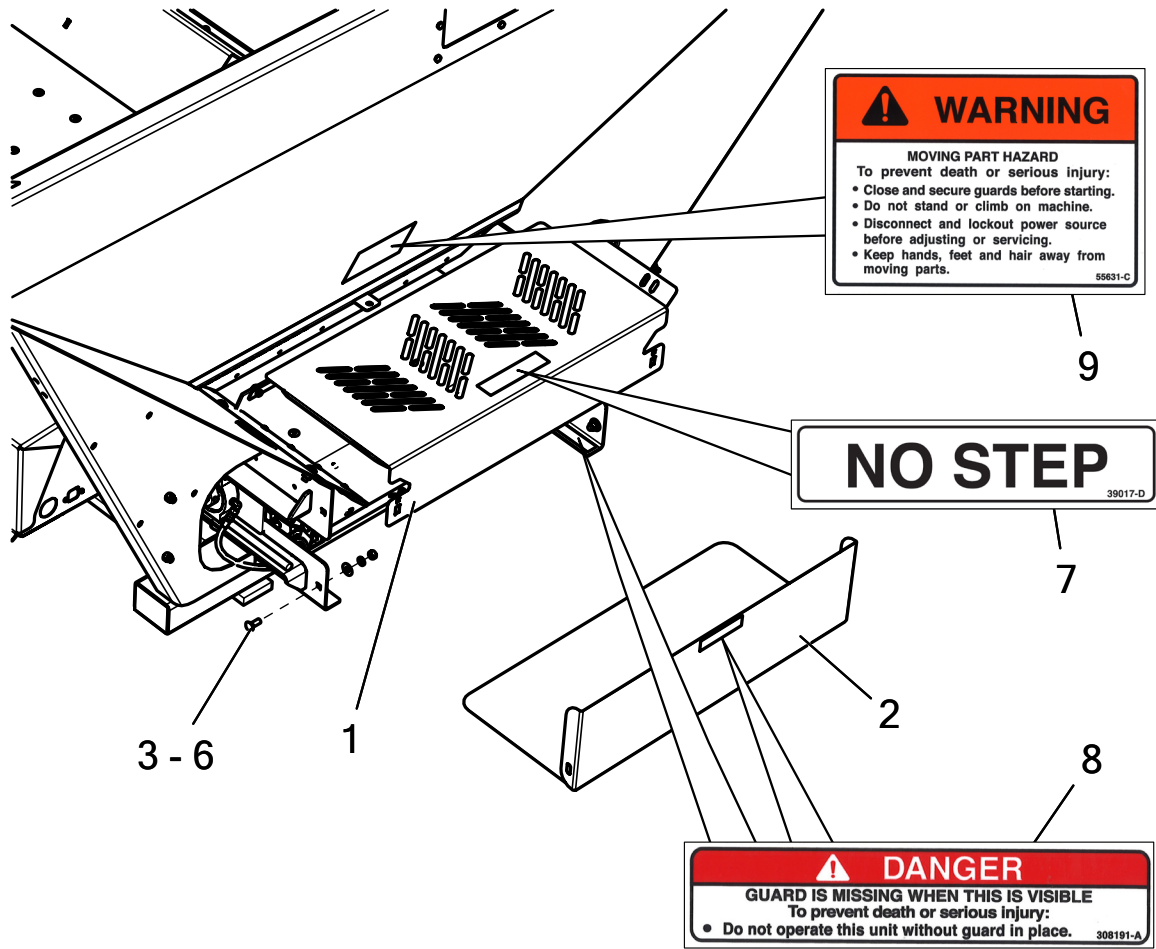
Wiper - Front



<u>ITEM</u>	<u>PART NO.</u>	<u>DESCRIPTION</u>	<u>QTY</u>
1	14743	Wiper – Belt	1
2	71656	Retainer – Belt 304	1
3	32446	Screw – TR HD 1/4 x 3/4	6
4	36412	Nut – Hex 1/4	6

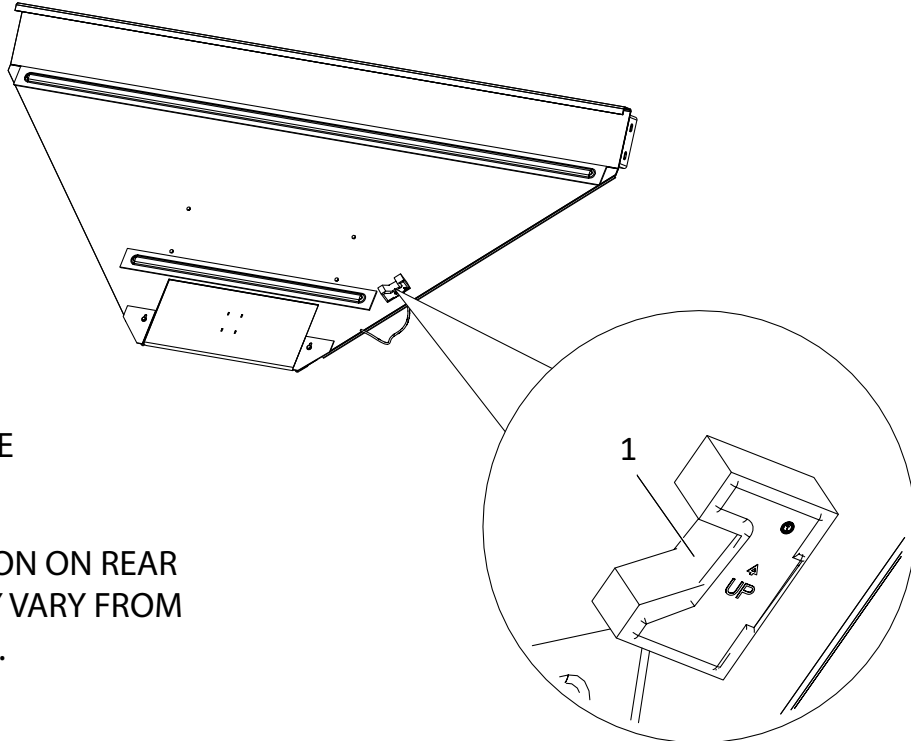
Conveyor

Front Conveyor Guard



ITEM	PART NO.	DESCRIPTION	QTY
1	314316	Guard - Front Top, Includes Item 7	1
2	308860	Guard - Front Bottom, Includes Item 8	1
3	36408	Bolt - Carriage 3/8-16NC x 1 SS	2
4	36425	Washer - Flat 3/8 SS	2
5	36420	Washer - Lock 3/8 SS	2
6	36414	Nut - Hex 3/8-16NC SS	2
7	39017	Decal - No Step	1
8	308191	Decal - Danger, Guard is Missing	2
9	55631	Decal - Danger, Moving Part Hazard	1

Bin Sensors

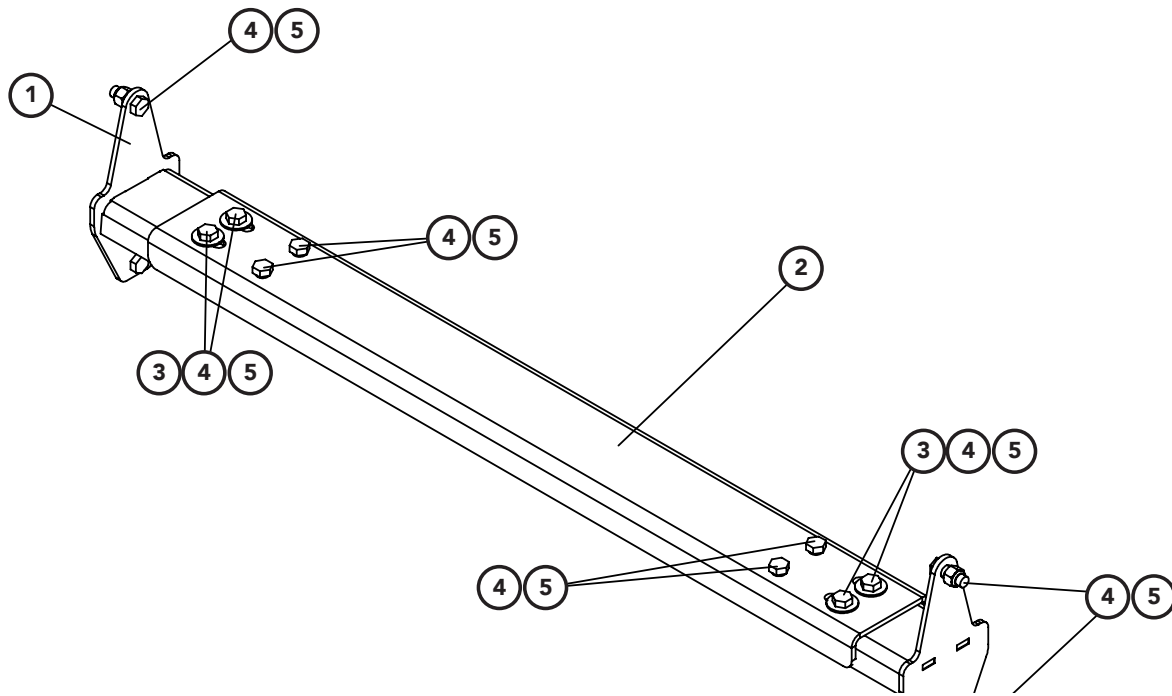


REAR ENDGATE

NOTE: LOCATION ON REAR
ENDGATE MAY VARY FROM
ILLUSTRATION.

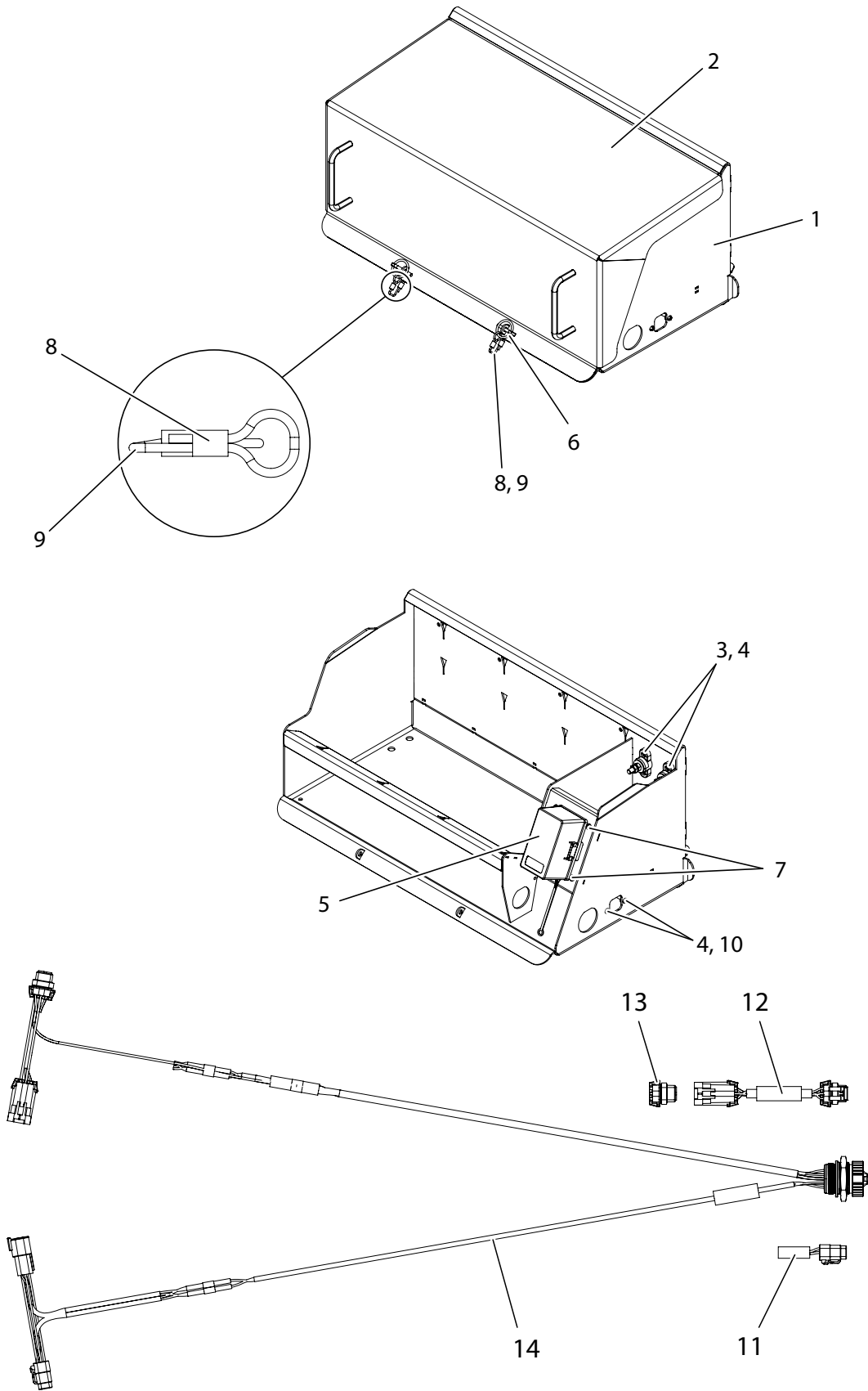
<u>ITEM</u>	<u>PART NO.</u>	<u>DESCRIPTION</u>	<u>QTY</u>
1	98787-AB	Sensor - Bin Level w/ 18" Lead	1

Enclosure Assembly Mount



<u>ITEM</u>	<u>PART NO.</u>	<u>DESCRIPTION</u>	<u>QTY</u>
1	311850	Mount - Wldmt	2
2	310717	Channel - Mount	1
3	36425	Washer - Flat 3/8 SS	4
4	36398	Cap Screw - 3/8-16NC x 1 SS	12
5	72054	Nut - Lock 3/8-16NC SS	12

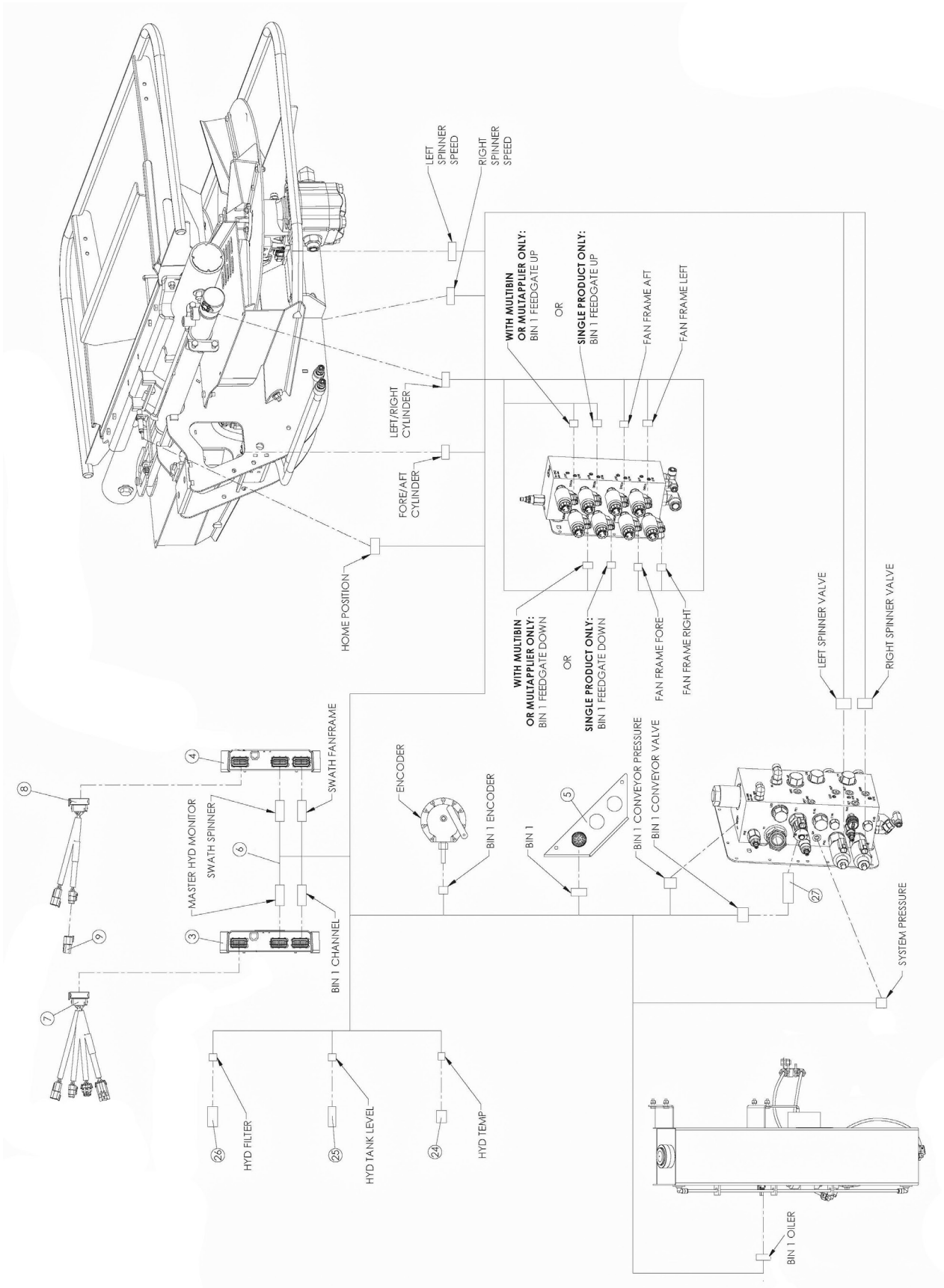
Enclosure Assembly



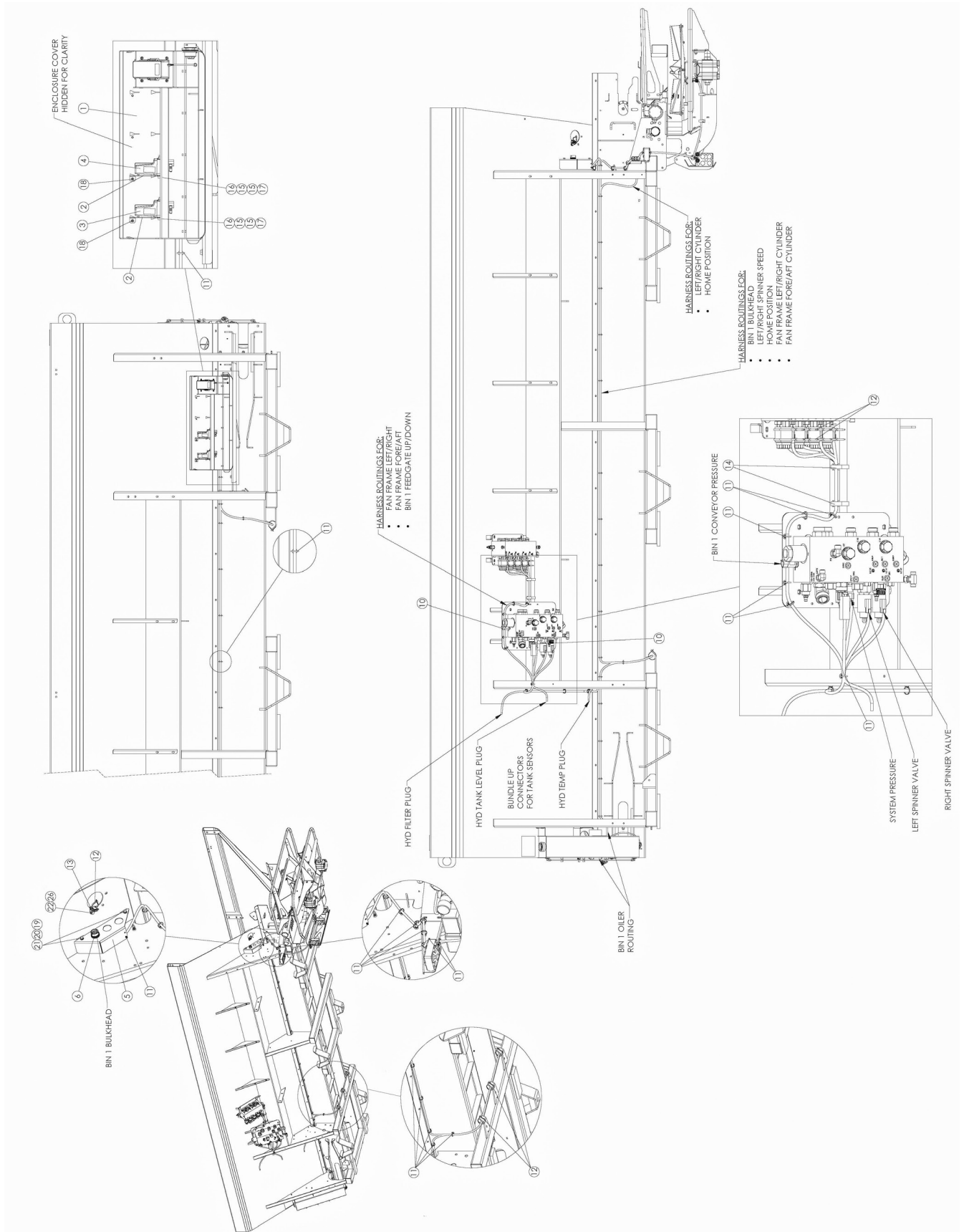
Enclosure Assembly Cont.

<u>ITEM</u>	<u>PART NO.</u>	<u>DESCRIPTION</u>	<u>QTY</u>
	311841	Enclosure - Assy 304, Includes Items 1 - 15	1
1	310722	Enclosure - Weldment Controller 304	1
2	310724	Cover - Weldment 304	1
3	310740	Post - Power Distribution	2
4	44483	Screw - Panhead #10-24 x 3/4 SS	6
5	310739	Harness - New Leader ECU Enclosure	1
6	310732	Pin - Lynch .188 x 1.25 SS	2
7	310733	Screw - Panhead #10-32 x 1/2 SS	4
8	308085	Ferrule - .185 x .734	4
9	311731	Cable - 12 Coated SS	2
10	56355	Nut - Lock #10-24 SS	2
11	311068	Plug - Terminating Local CAN	1
12	311070	Harness - ISOBUS Active Termination, Includes Item 13	1
13	311069	Circuit - Terminating Bias ISO CAN	1
14	312448	Harness - ISOBUS Diagnostic Tee	1

Controller - Main Bin



Controller - Main Bin Cont.

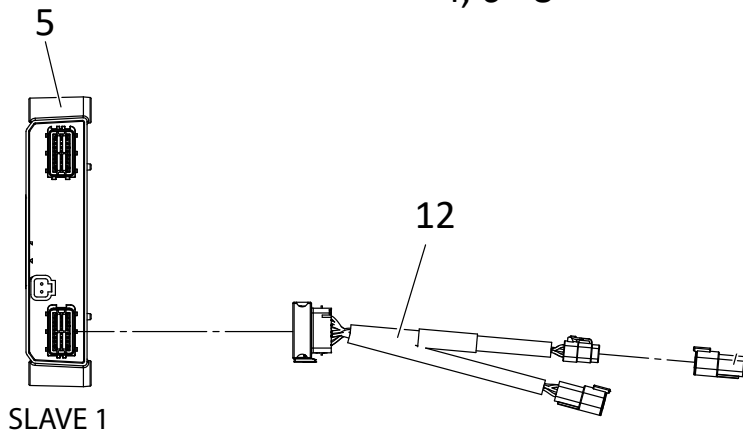
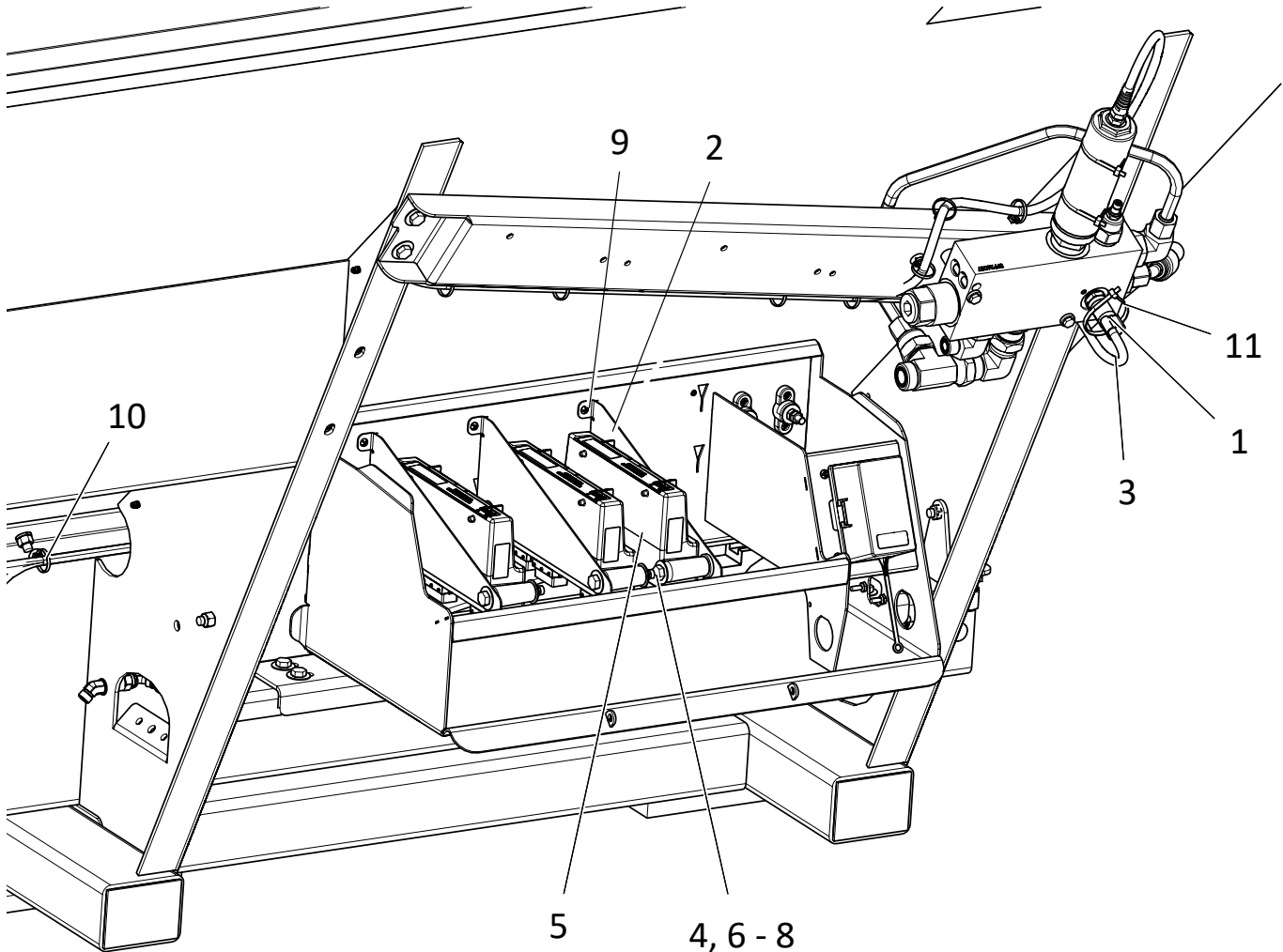


Controller - Main Bin Cont.

<u>ITEM</u>	<u>PART NO.</u>	<u>DESCRIPTION</u>	<u>QTY</u>
1	311841	Enclosure - Assy	1
2	310718	Bracket - Module 304	2
3	310734	Module - Master Control	1
4	313689	Module - Swath Control	1
5	316583	Bulkhead - Harness Brkt Formed	1
6	316549	Harness - G5 Master Control	1
7	310754	Harness - Isobus Breakout	1
8	311060	Harness - Local Can Breakout	1
9	311067	Receptacle - Terminating Local	1
10	311074	Transducer - Pressure	2
11	311806	Tie - Wire Fir Tree	67
12	99674	Strap - Zip Tie 8 Black	23
13	312964	Clip - Harness Mounting	1
14	310648	Tie - Dual Clamp	6
15	36425	Washer - Flat .375 SS	8
16	36296	Capscrew - .3846 X 2.75 SS	4
17	307395	Nut - Lock Thin .375-16nc SS	4
18	44483	Screw - Round Head #10-24nc X .75 SS	2
19	36423	Washer - Flat .25 SS	2
20	36418	Washer - Lock .25 SS	2
21	36393	Capscrew - .25-20nc X .75 SS	2
22	34580	Capscrew - .313-18nc X 1 SS	1
23	42221	Nut - Lock .313-18nc SS	1
24	311176	Receptacle - Amp Jpt 2 Pin	1
25	311177	Receptacle - Deutsch Dtm 2 Pin	1
26	313691	Receptacle - Metripack 2 Pin	1
27	316277	Harness - Adapter Metripack	1

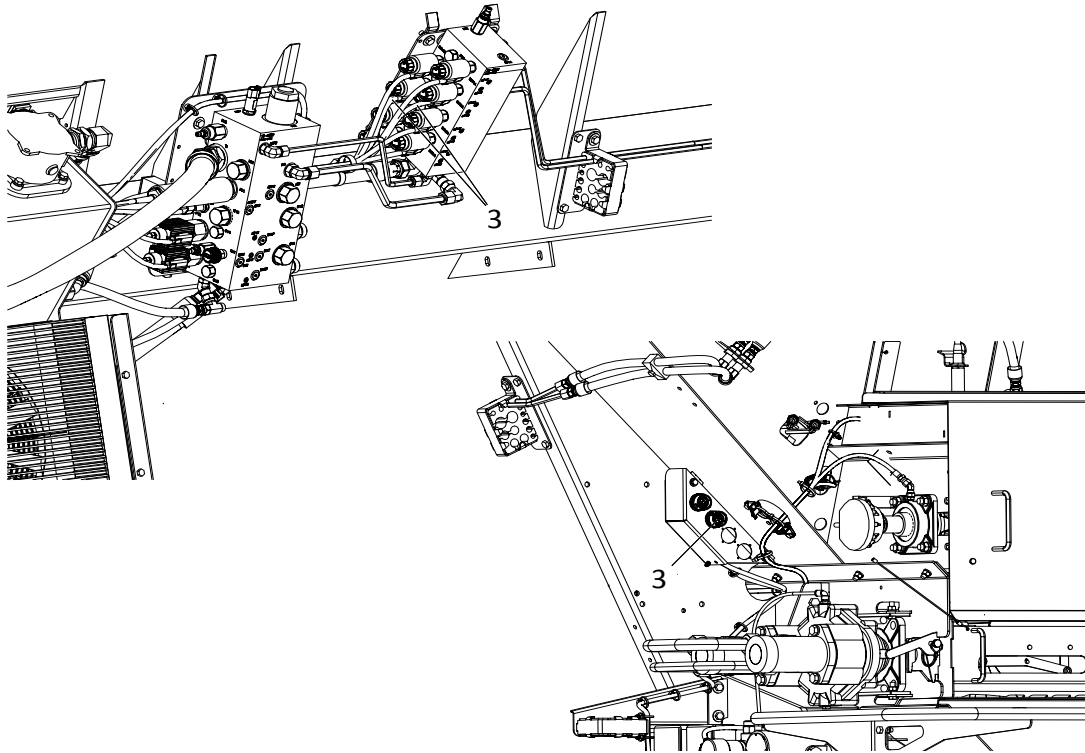
This page is intentionally left blank.

Controller - MultiApplier



Electronics

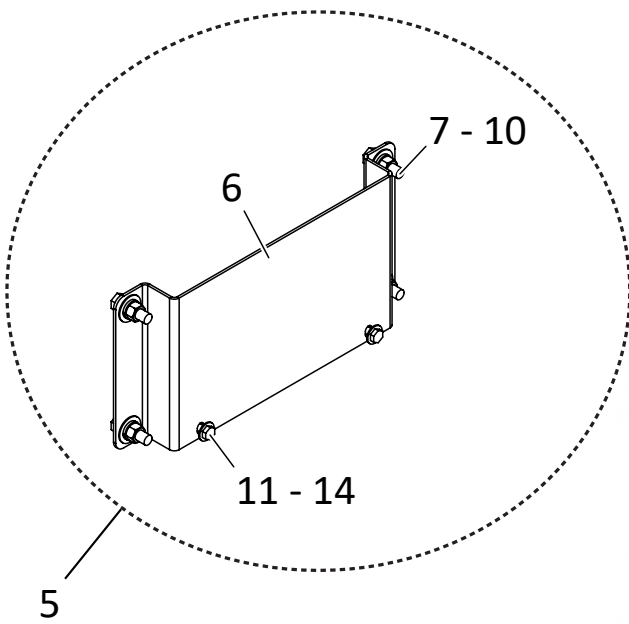
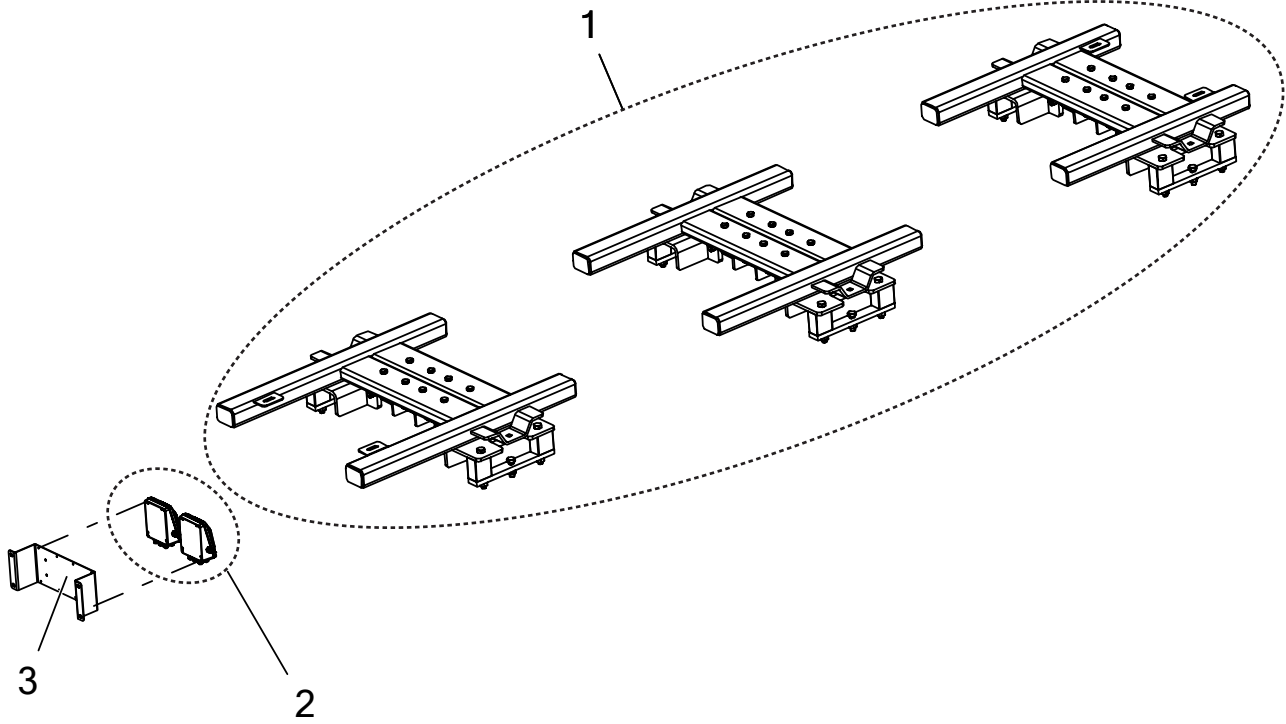
Controller - MultiApplier Cont.



<u>ITEM</u>	<u>PART NO.</u>	<u>DESCRIPTION</u>	<u>QTY</u>
1	311074	Transducer - Pressure	1
2	310718	Bracket - Module 304	1
3	316550	Harness - Bin 2 Control 15-16'	1
4	313975	Spacer - 10ga 304	2
5	310735	Module - Slave Control	1
6	36425	Washer - Flat 3/8 SS	4
7	36296	Cap Screw - 3/8-16NC x 2-3/4 SS	2
8	307395	Nut - Lock Thin 3/8-16NC SS	2
9	44483	Screw - Panhead PHLP #10-24NC x 3/4 SS	1
10	311806	Tie - Wire Fir Tree	12
11	99674	Tie - Wire	3
12	311060	Harness - Local CAN Breakout Type I	1
13	*316277	Harness Adapter Metripack 3 Pin to Deutsch 2 Pin	1

* - NOT SHOWN

NOTE: See "Controller - Main Bin" on previous pages for Bin 1 controller components.

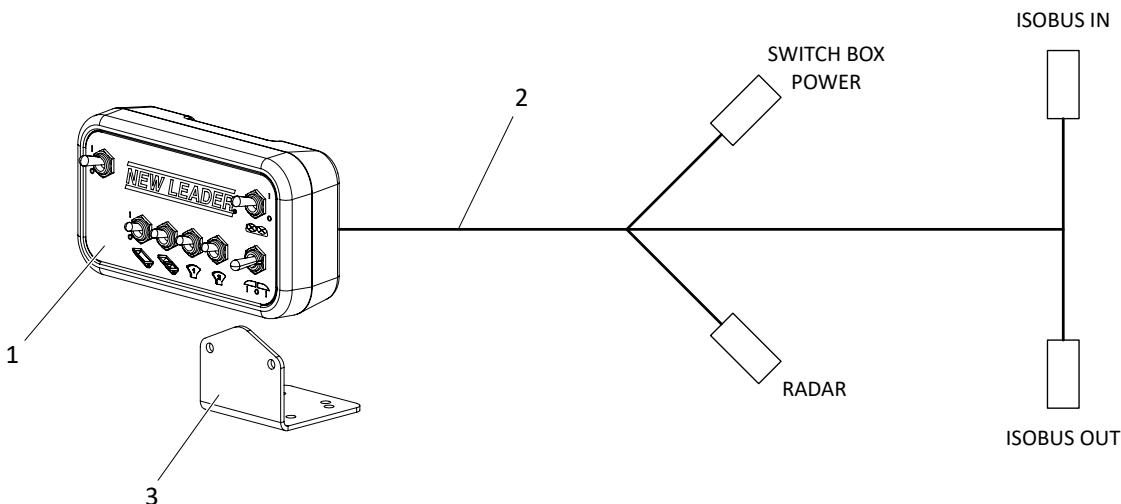


Scale System

<u>ITEM</u>	<u>PART NO.</u>	<u>DESCRIPTION</u>	<u>QTY</u>
1	313850	Kit - Scale System	1
2	313851	Kit - Scale Link	1
3	313848	Bracket - Scale Link 304	1
4	313852	Display - Kit Remote	1
5	313857	Kit - Bracket Remote Display w/ Hardware Includes Items 8 - 16	1
6	313853	Bracket - Remote Display 304	1
7	36399	Cap Screw - 3/8-16NC x 1-1/4 SS	4
8	36425	Washer - Flat 3/8 SS	4
9	36420	Washer - Lock 3/8 SS	4
10	36414	Nut - Hex 3/8-16NC SS	4
11	36395	Cap Screw - 1/4-20NC x 1 SS	2
12	36423	Washer - Flat 1/4 SS	4
13	36418	Washer - Lock 1/4 SS	2
14	36412	Nut - Hex 1/4-20NC SS	2
15	*313859	Harness - Scale Link ISOBUS	1

* - Not Shown

Switch Box & Harness

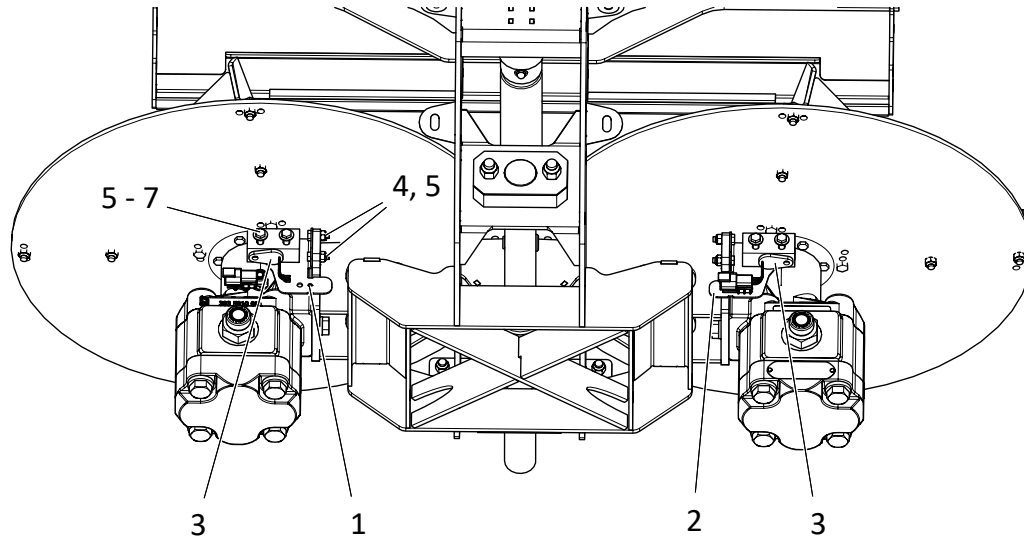


ITEM	PART NO.	DESCRIPTION	QTY
1	310742	Switch Box - NL G5	1
2	310743	Harness - ISO AUX Console	1
3	313884	Mount - Switch Box	1
4	*314488	Harness - Extension	1
5	*313581	Hardware - Kit Switch Box	1
6	**314222	Harness - Power WP	AR
	**314223	Harness - Power John Deere Strip	AR
	**314224	Harness - 9 Pin AMP ISO AUX Console	AR

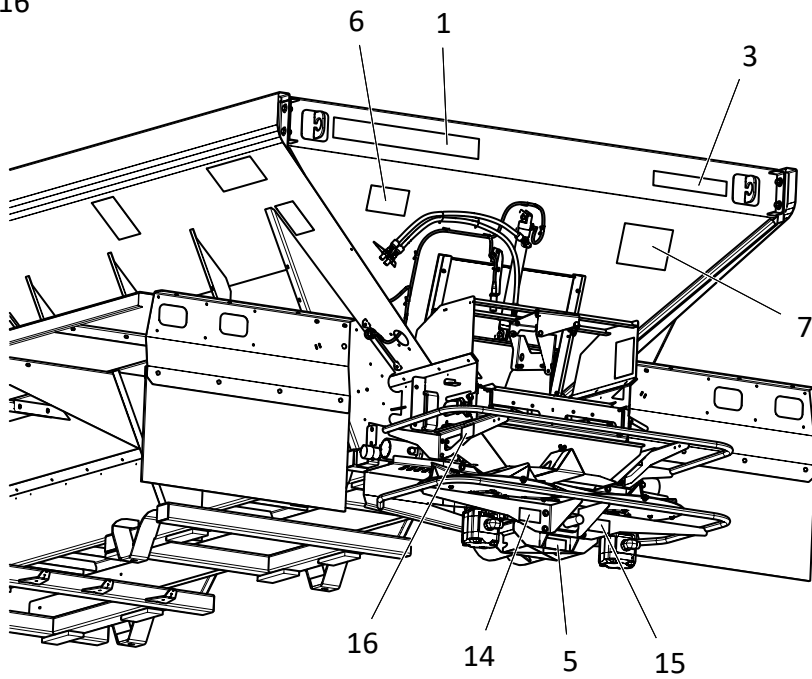
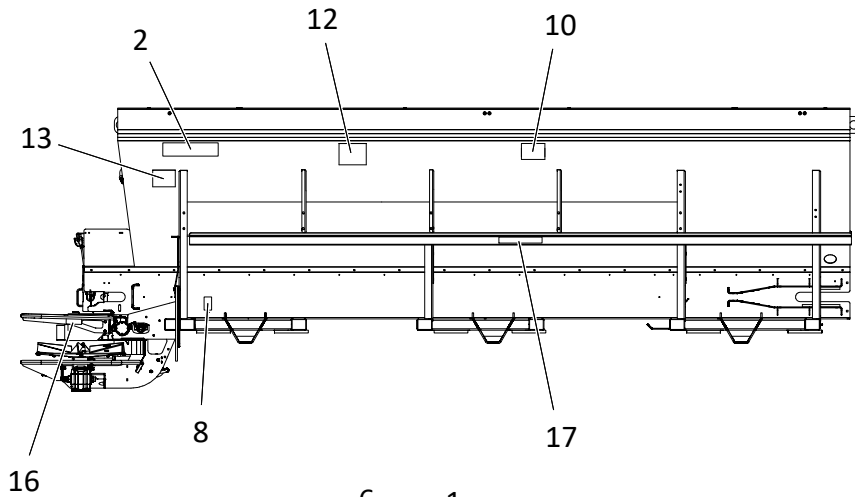
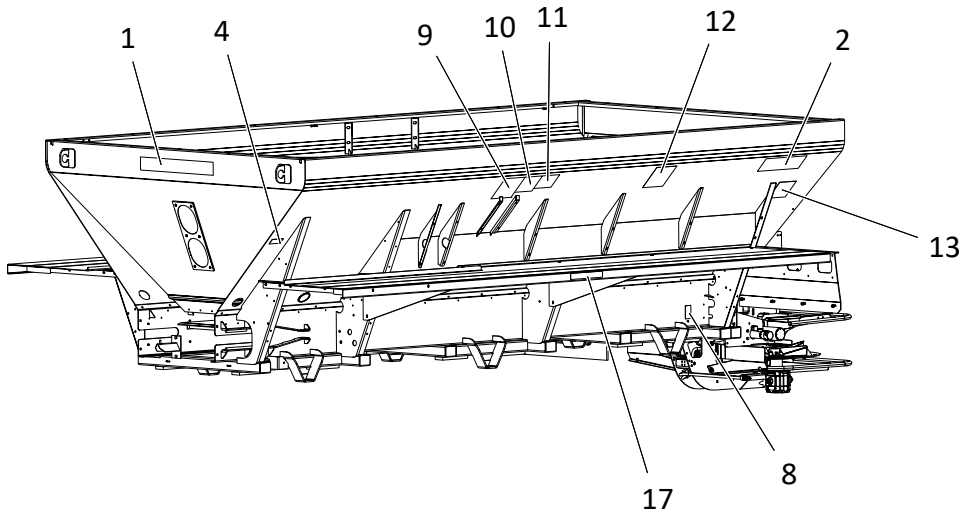
* - Not Shown.

** - Harness required depends on tractor used with implement. Contact your New Leader parts dealer for details.

Spinner Speed Sensors



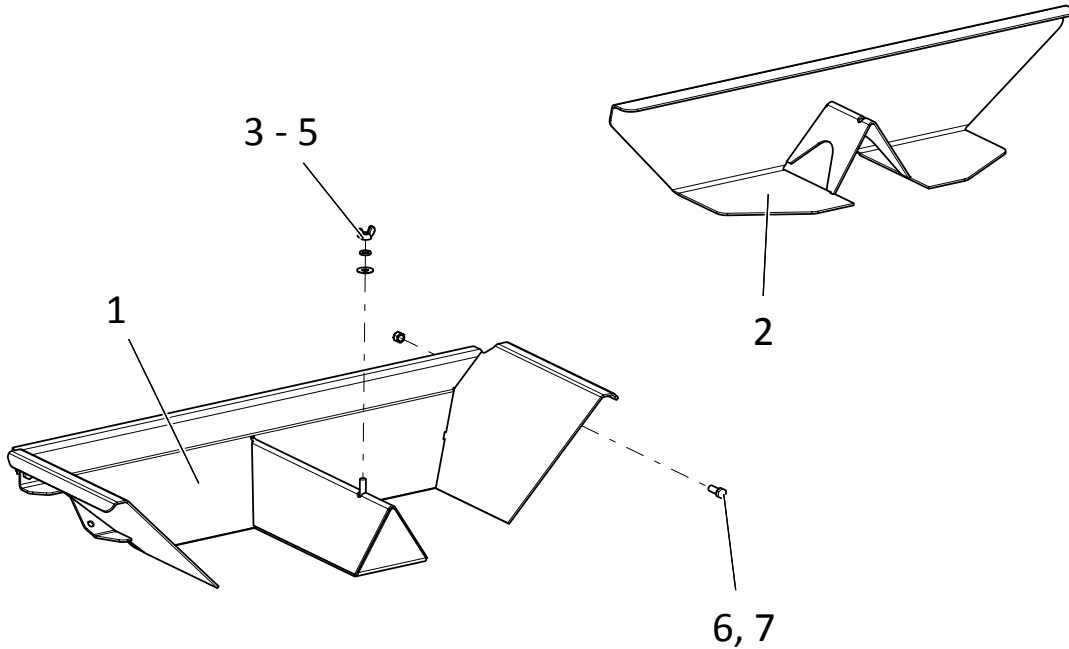
ITEM	PART NO.	DESCRIPTION	QTY
1	313432-AA	Bracket - Spinner Speed Sensor RH	1
2	313432-AB	Bracket - Spinner Speed Sensor LH	1
3	313971	Sensor - Assy w/ Block, Includes Items 3 & 4	2
4	36394	Cap Screw - 1/4-20NC x 7/8 SS	4
5	42034	Nut - Lock 1/4-20NC SS	8
6	42448	Cap Screw - 1/4-20NC x 1-1/2 SS	4
7	36423	Washer - Flat 1/4 SS	4



<u>ITEM</u>	<u>PART NO.</u>	<u>DESCRIPTION</u>	<u>QTY</u>
1	312561	Decal - New Leader, Black	2
2	313520	Decal - G5 Black	2
3	315907	Decal - NL5060, Black	1
4	302601	Decal - Patent 6,817,551	1
5	314775	Decal - Patent 9,649,646	1
6	312276	Decal - Notice Spread Pattern	1
7	368	Decal - Danger, Flying Material	1
8	311828	Decal - Important, Chain Tension	2
9	150034	Decal - Caution, Proper Operation	1
10	364	Decal - Danger, Moving Part	2
11	321	Decal - Caution, Hazardous Material	1
12	39138	Decal - Warning, High Pressure Fluid	2
13	55241	Decal - Danger, Pinch Point Hazard	2
14	315640	Decal - Warning, Falling Hazard	1
15	315641	Decal - Warning Moving Part Hazard	1
16	315639	Decal - Danger, Pinch Point Hazard	2
17	39200	Decal - Keep Off (fenders)	2

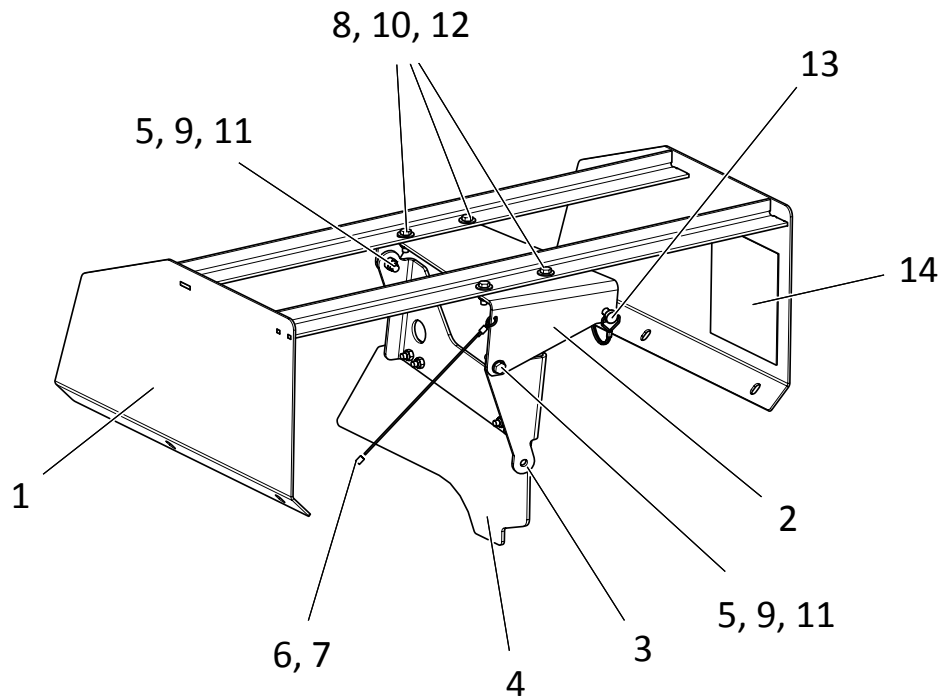
NOTE: Refer to "Safety Decals" and "Informational Decals" in Safety section of operator's manual for details.

Material Divider



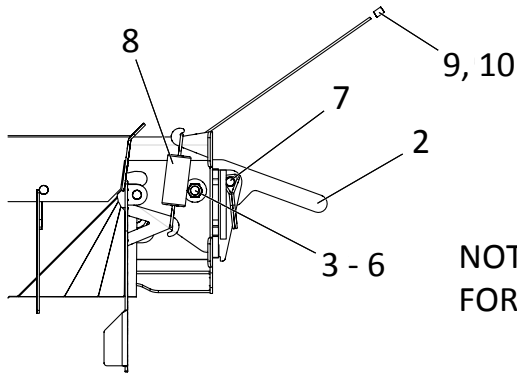
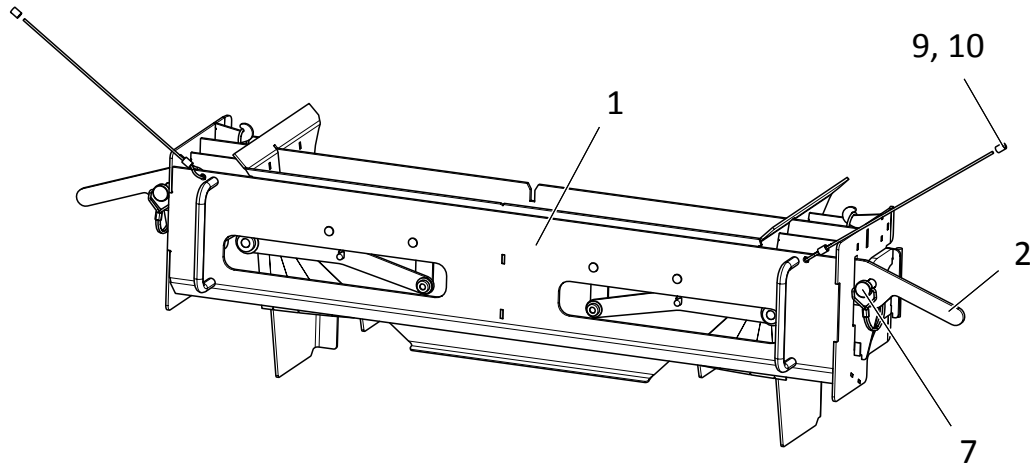
<u>ITEM</u>	<u>PART NO.</u>	<u>DESCRIPTION</u>	<u>QTY</u>
	313154	Divider – Material Assy 304	1
1	313155	Divider – Wldmt 304	1
2	313159	Deflector – Rear Wldmt 304	1
3	36425	Washer – Flat 3/8 SS	1
4	36420	Washer – Lock 3/8 SS	1
5	20673	Nut – Wing 3/8-16NC SS	1
6	36398	Cap Screw – 3/8-16NC x 1 SS	4
7	36425	Washer - Flat 3/8 SS	4

Hillside Divider



ITEM	PART NO.	DESCRIPTION	QTY
	313508	Divider - Hillside Assy 304	1
1	311721	Support - Wldmt	1
2	311725	Bracket - Upper	1
3	311728	Bracket - Lower	1
4	313509	Panel - Divider	1
5	311730	Bushing - Pivot	2
6	311731	Cable 12" Coated SS	1
7	308085	Ferrule	2
8	34580	Cap Screw - 5/16-18NC x 1 SS	8
9	36399	Cap Screw - 3/8-16NC x 1-1/4 SS	2
10	42221	Nut - Lock 5/16-18NC SS	8
11	72054	Nut - Lock 3/8-16NC SS	2
12	36424	Washer - Flat 5/16 SS	8
13	311732	Pin - Lock	1
14	55241	Decal - Danger, Pinch Point Hazard	1

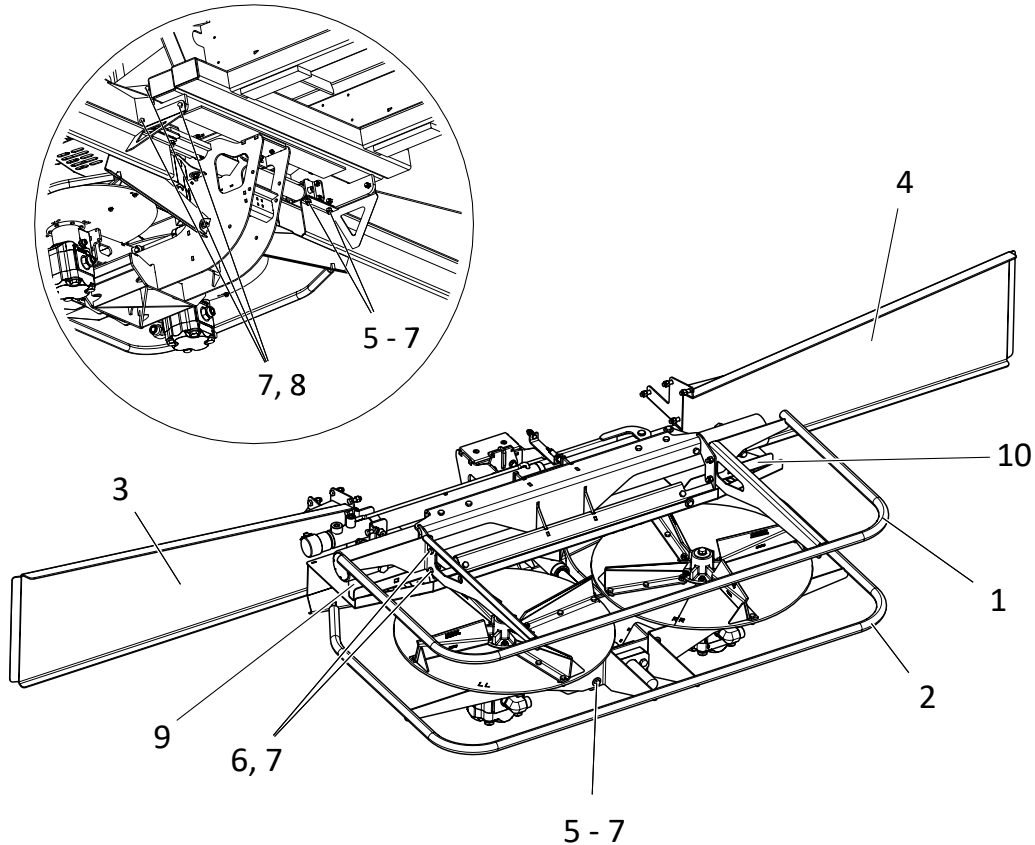
Vane Assembly



NOTE: COMPONENTS HIDDEN FOR CLARITY

ITEM	PART NO.	DESCRIPTION	QTY
	313267	Vane - Assy 304	1
1	316060	Vane - Wldmt 304	2
2	313315	Handle - 304	2
3	36425	Washer - Flat 3/8 SS	2
4	311730	Bushing - Pivot 304	2
5	36398	Cap Screw - 3/8-16NC x 1 SS	2
6	72054	Nut - Lock 3/8-16NC SS	2
7	311732	Pin - Lock	2
8	314311	Spring - SS	2
9	311731	Cable - 12" Coated SS	2
10	308085	Ferrule	4

Spinner Guards & Deflectors

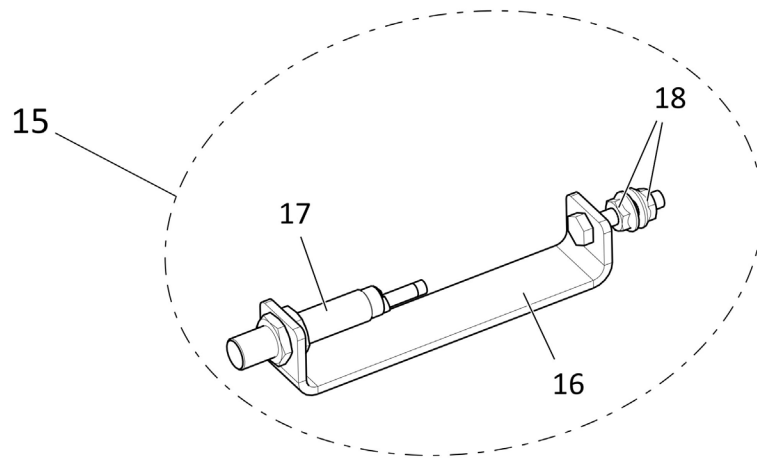
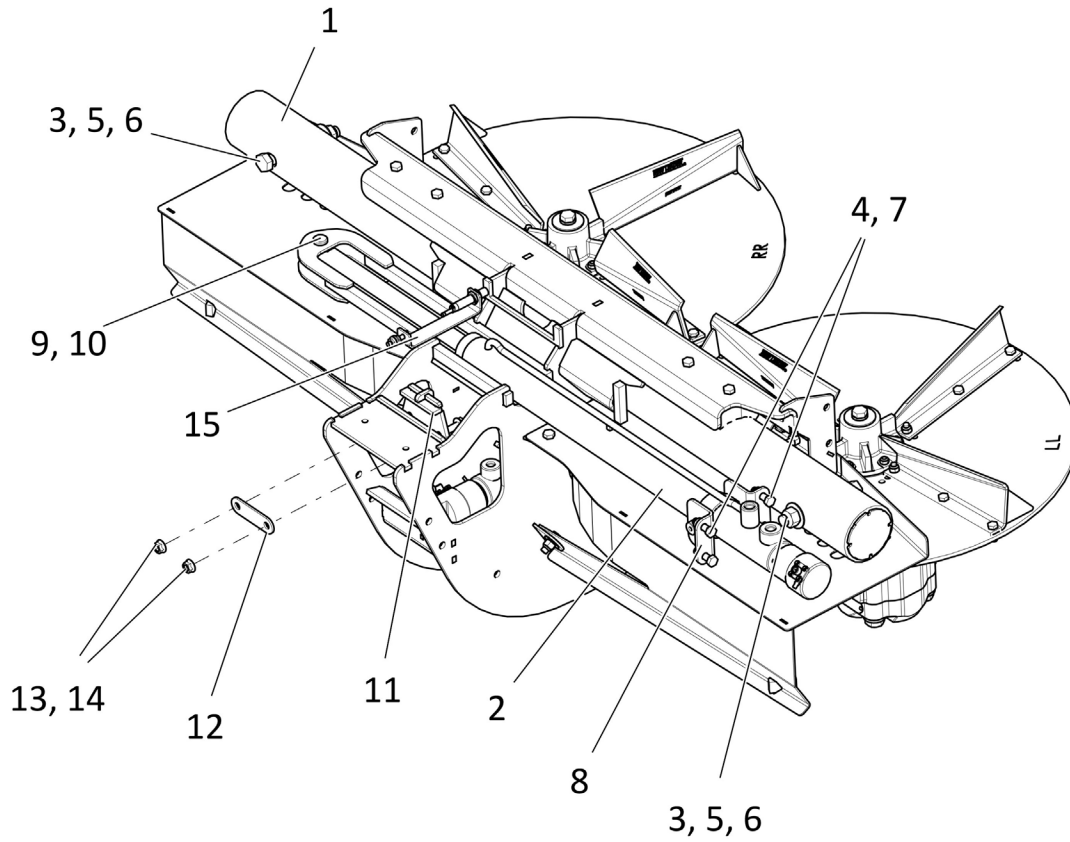


WARNING

Guards are intended to reduce hazard of entanglement with machinery and injury. All guards must be installed per this drawing before spreader is put into operation.

ITEM	PART NO.	DESCRIPTION	QTY
1	315710	Guard - Wldmt Upper	1
2	315711	Guard - Wldmt Lower	1
3	313223	Deflector - Wldmt LH	1
4	313224	Deflector - Wldmt RH	1
5	36425	Washer - Flat 3/8 SS	8
6	36398	Cap Screw - 3/8-16NC x 1 SS	12
7	72054	Nut - Lock 3/8-16NC SS	24
8	36399	Cap Screw - 3/8-16NC x 1-1/4 SS	8
9	313229-AA	Deflector - LH 304	1
10	313229-AB	Deflector - RH 304	1

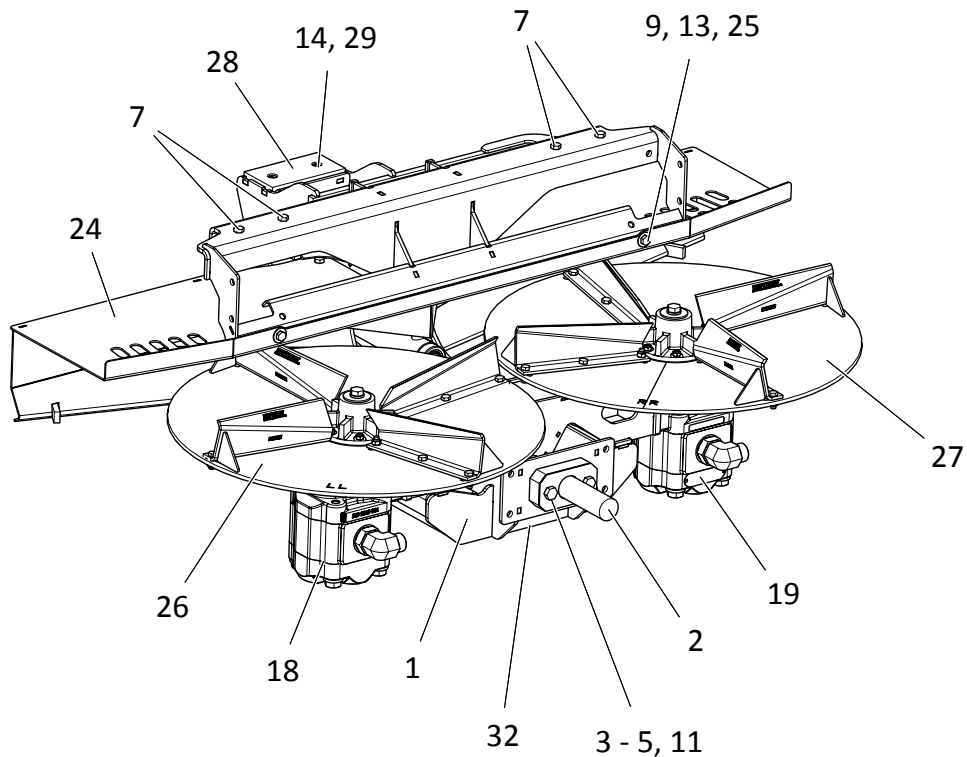
Spinner Assembly



Spinner Assembly Cont.

ITEM	PART NO.	DESCRIPTION	QTY
1	313192	Tube - Wldmt Support 304	1
2	312950	Cylinder - 1.5 x 23 w/ Sensor	1
3	313180	Cap Screw - 5/8-11NC x 5 SS	2
4	36399	Cap Screw - 3/8-16NC x 1-1/4 SS	4
5	56857	Washer - Flat 5/8 SS	2
6	41762	Nut - Lock 5/8-11NC SS	2
7	72054	Nut - Lock 3/8-16NC SS	4
8	313193	Mount - Cylinder 304	2
9	313173	Pin - Clevis	1
10	36427	Pin - Cotter	1
11	313186	Retainer - Wldmt Front 304	1
12	313194	Plate - Backing 304	1
13	313195	Bolt - Flanged 3/8-16NC x 1-1/4 SS	2
14	313196	Nut - Flanged 3/8-16NC SS	2
15	313214	Sensor - Assy 304, Includes Items 16 - 18	1
16	313215	Mount - Wldmt Sensor 304	1
17	308175	Sensor - 12mm w/ Connector	1
18	313217	Nut - Flange 1/4-20NC SS	2

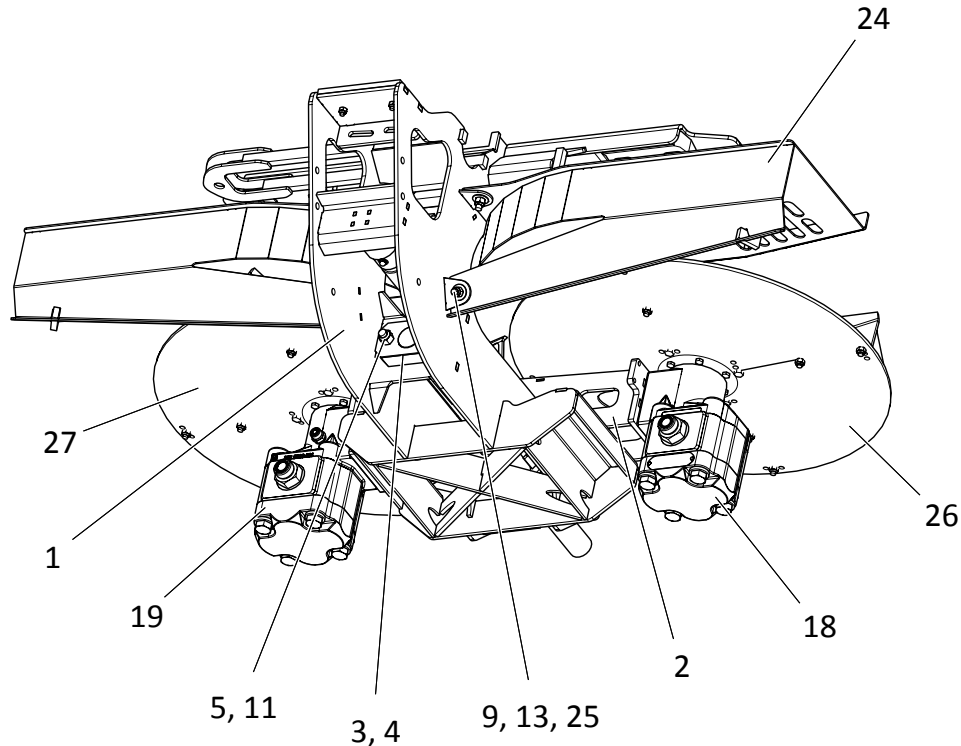
Spinner Assembly Cont.



ITEM	PART NO.	DESCRIPTION	QTY
1	313112	Frame - Wldmt Spinner 304	1
2	313140	Mount - Wldmt Motor 304	1
3	313174	Guide - Assy Rod	4
4	313177	Plate - Backing 304	4
5	313178	Cap Screw - 1/2-13NC x 3-1/4 SS	4
6	36402	Cap Screw - 1/2-13NC x 1-1/4 SS	8
7	36293	Cap Screw - 3/8-16NC x 3/4 SS	6
8	313179	Cap Screw - 3 Full Thread SS	1
9	36398	Cap Screw - 3/8-16NC x 1 SS	10
10	36401	Cap Screw - 1/2-13NC x 1 SS	2
11	39016	Nut - Lock 1/2-13NC SS	4
12	36416	Nut - Hex 1/2-13NC SS	1
13	72054	Nut - Lock 3/8-16NC SS	10

AR - As Required

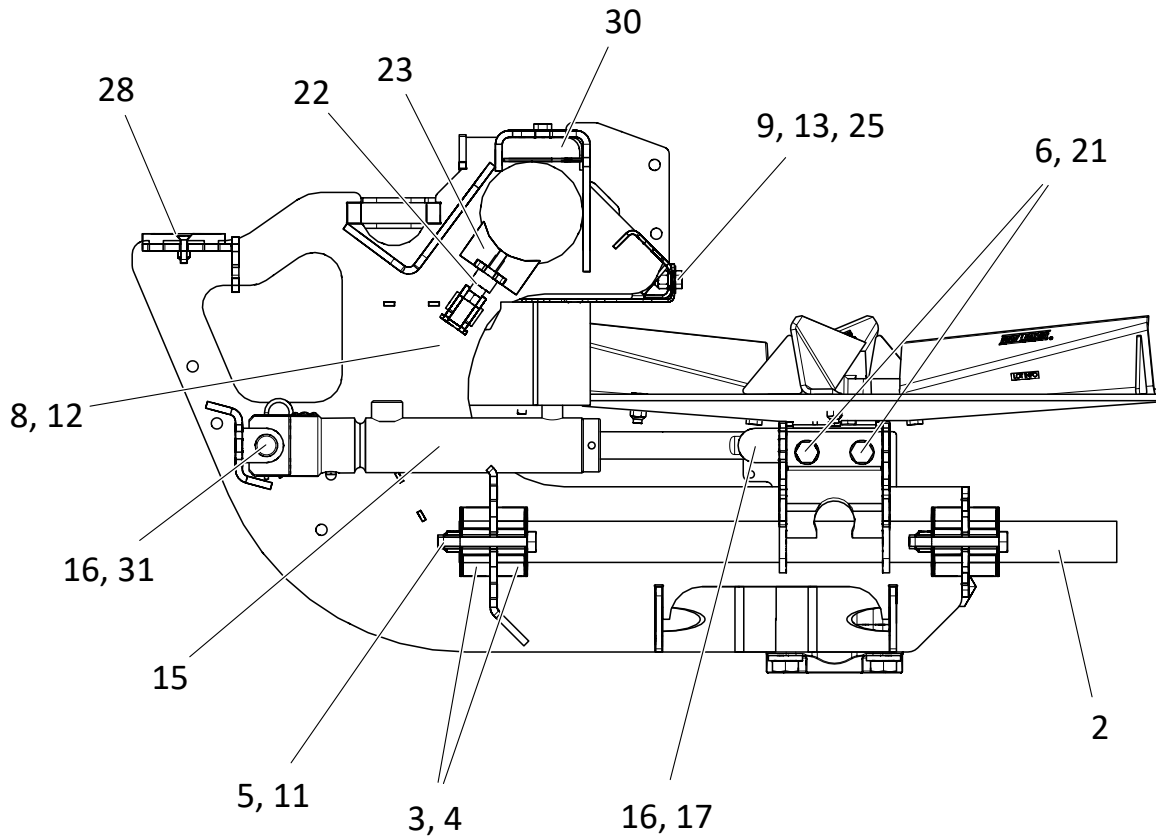
Spinner Assembly Cont.



<u>ITEM</u>	<u>PART NO.</u>	<u>DESCRIPTION</u>	<u>QTY</u>
14	42034	Nut - Lock 1/4-20NC SS	2
15	312951	Cylinder - 1.5 x 4.75 w/ Sensor	1
16	313173	Pin - Clevis	2
17	36427	Pin - Cotter	1
18	315876	Motor - Spinner Assy LH, Includes Items 42 - 45	1
19	315877	Motor - Spinner Assy RH, Includes Items 42 - 45	1
20	305571	Washer - Rubber	2
21	36422	Washer - Lock 1/2 SS	10
22	313148	Mount - Wldmt Bearing Lower 304	1
23	313169	Bearing - Lower	1
24	313151	Shroud - Wldmt Disc 304	1
25	36425	Washer - Flat 3/8 SS	8
26	87106	Disc - Assy LH 7ga, Includes Items 33 - 39	1

AR - As Required

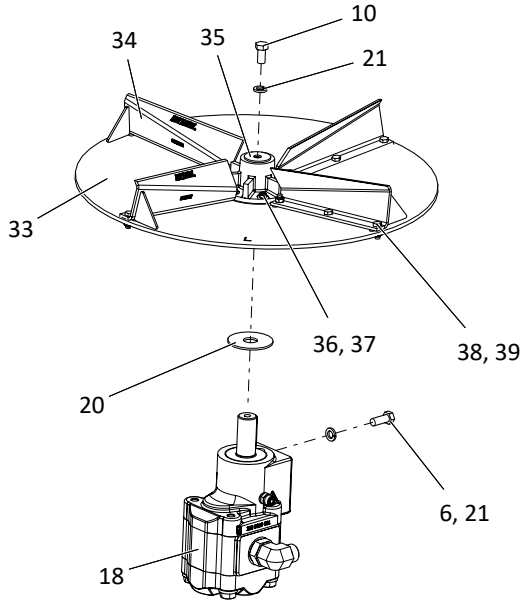
Spinner Assembly Cont.



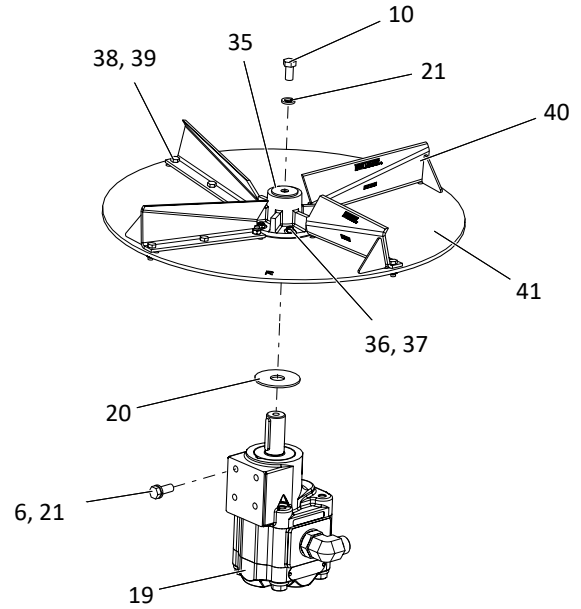
ITEM	PART NO.	DESCRIPTION	QTY
27	87105	Disc - Assy RH 7ga, Includes Items 35 - 41	1
28	313170	Bearing - Front	1
29	47268	Screw - Flat Head 1/4-20NC x 1 SS	2
30	313171	Bearing - Assy Upper	2
31	36429	Pin - Hair	1
32	314775	Decal - US Patent No. 9,649,646	1
33	27056-X5	Disc - Distributor LH	1
34	309092	Fin - Wldmt LH	4
35	10877	Hub - Wldmt	2
36	20004	Cap Screw - 1/4-20NC x 7/8	12
37	20676	Nut - Lock 1/4-20NC	12
38	20034	Cap Screw - 5/16-18NC x 3/4	24
39	20677	Nut - Lock 5/16-18NC	24

AR - As Required

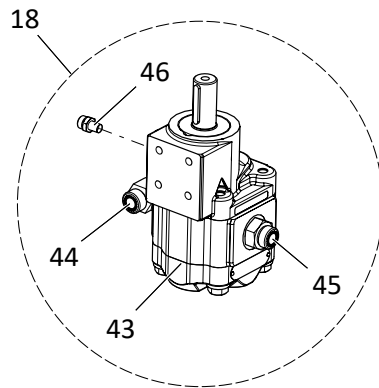
Spinner Assembly Cont.



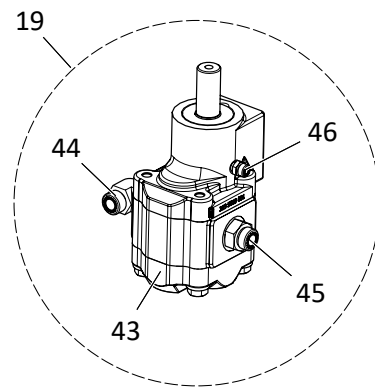
LEFT HAND



RIGHT HAND



LEFT HAND

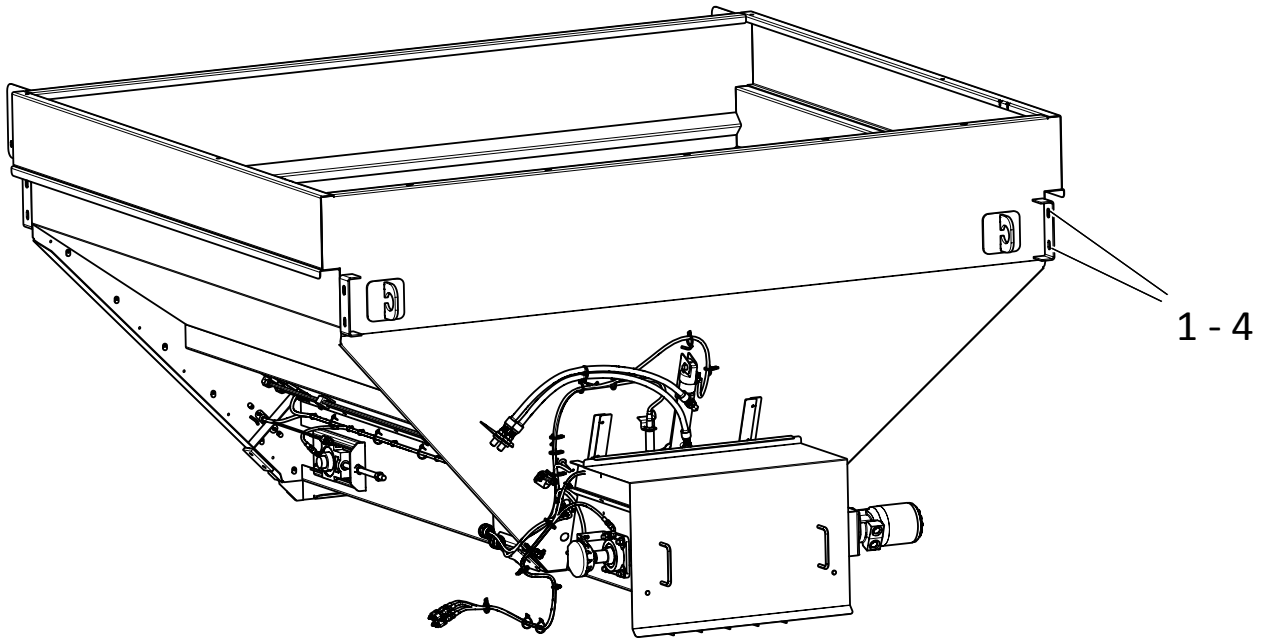


RIGHT HAND

ITEM	PART NO.	DESCRIPTION	QTY
40	309091	Fin - Wldmt RH	4
41	27056-X4	Disc - Distributor RH	1
42	313510	Motor - Spinner 3.19 CID	2
43	315949	Fitting - 12-16 520220	2
44	315950	Fitting - 12-16 520120	2
45	313185	Fitting - 6-4 Non-Standard	2

AR - As Required

Mounting Hardware

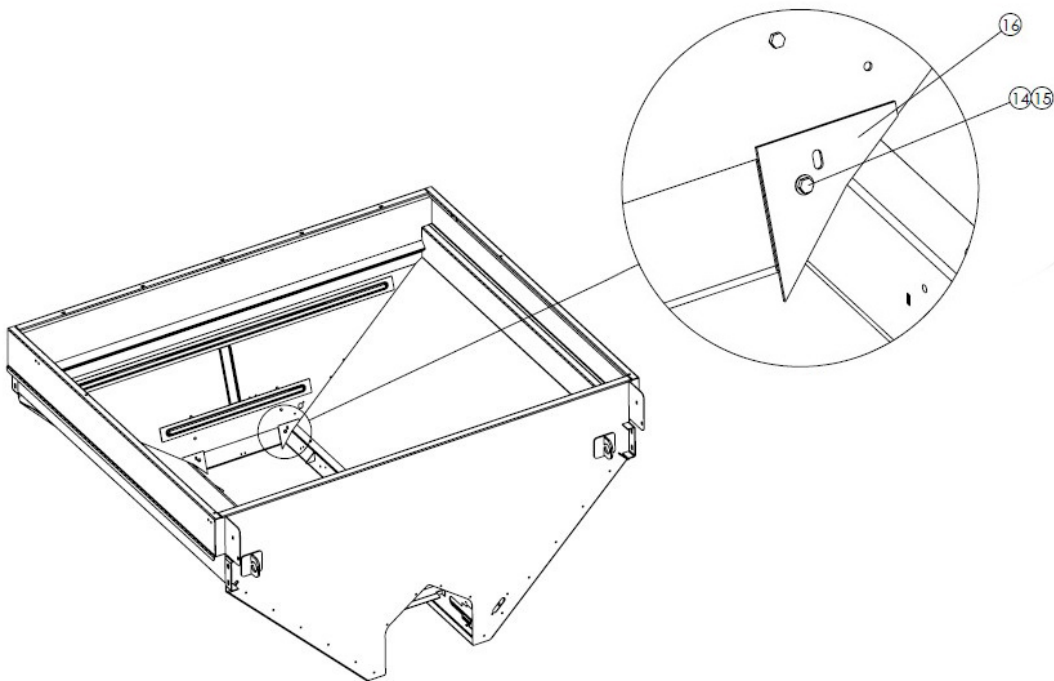
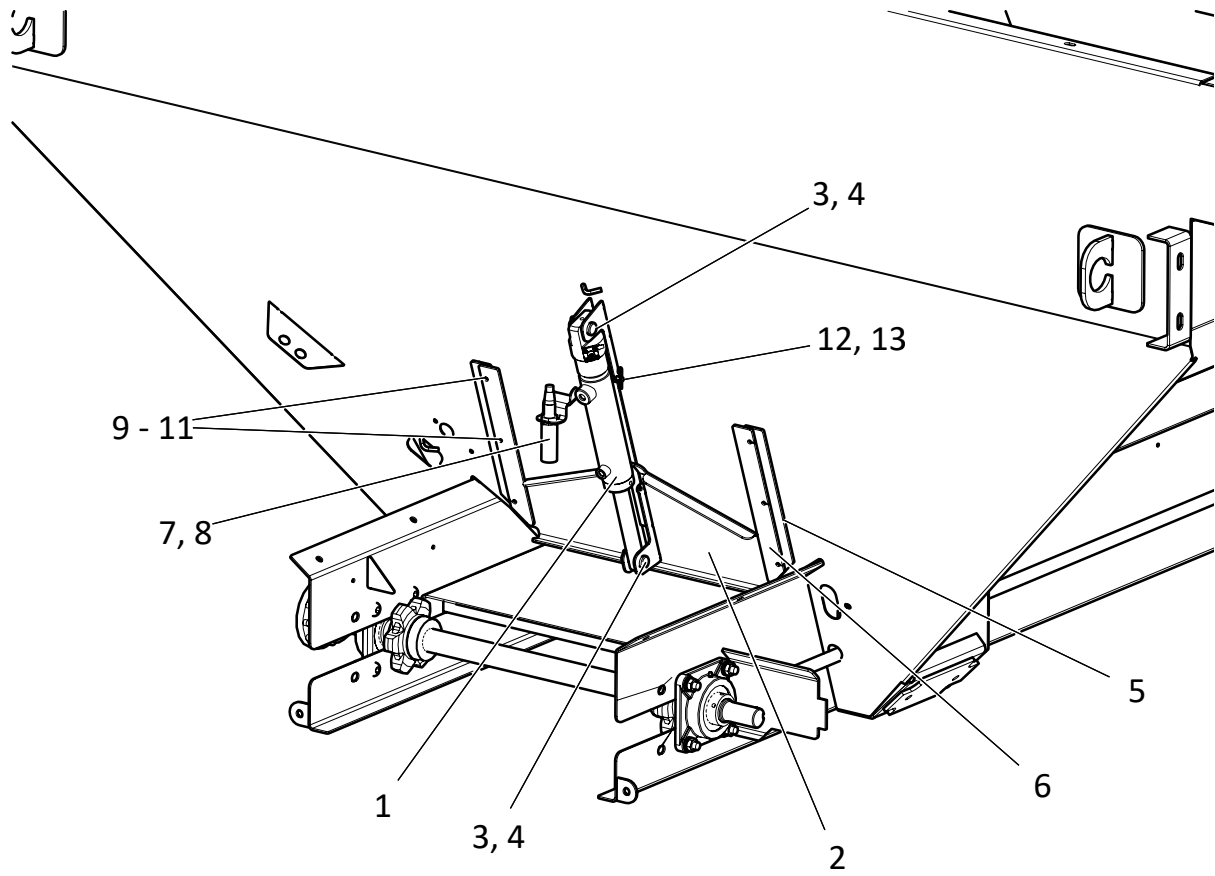


MultApplier**Mounting Hardware**

<u>ITEM</u>	<u>PART NO.</u>	<u>DESCRIPTION</u>	<u>QTY</u>
	86951	Hardware - Kit Mount	
1	20128-X1	Cap Screw - 1/2 x 1 1/4 Grade 8	8
2	20695	Washer - Flat 1/2	16
3	20714	Washer - Lock 1/2	8
4	20646	Nut - Hex 1/2	8

AR - As Required

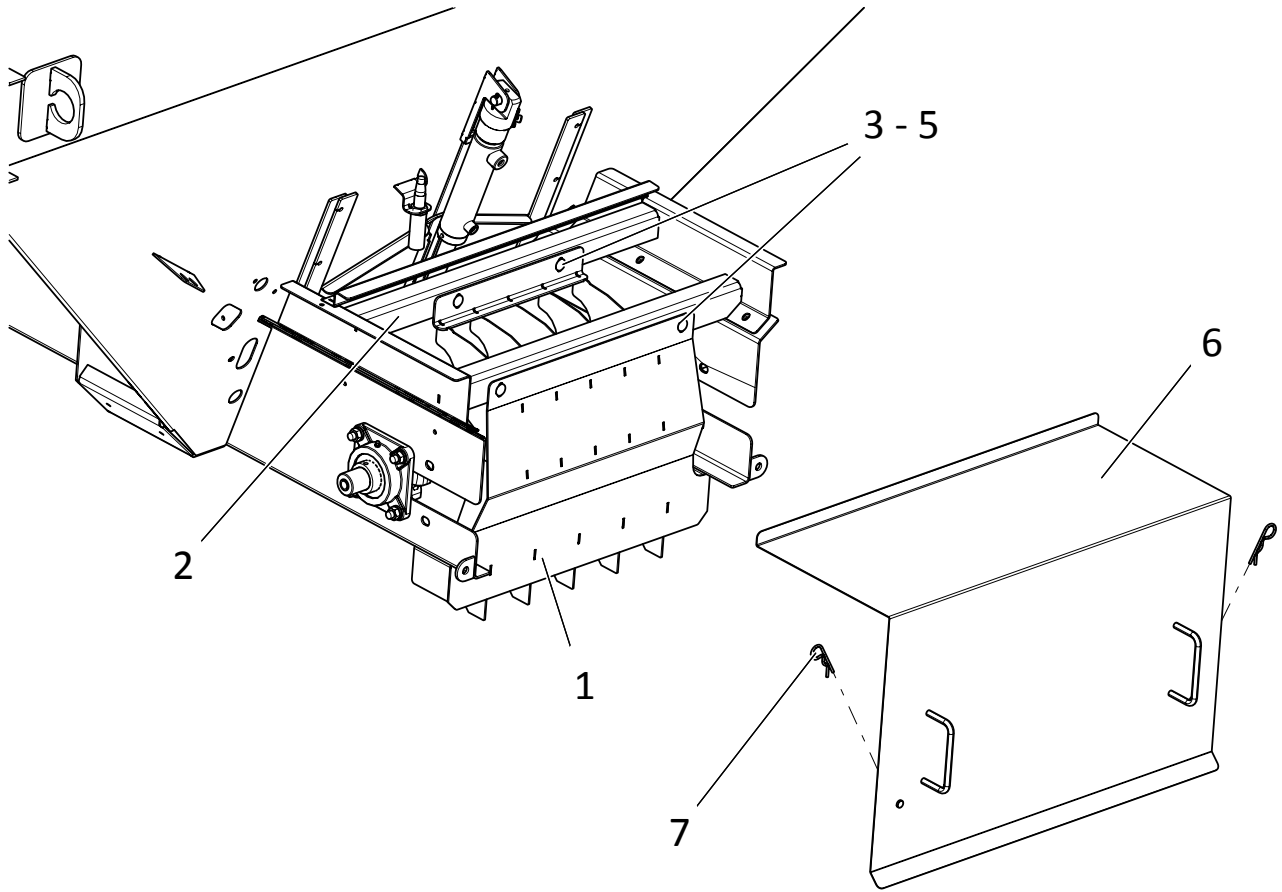
Rear Feedgate



MultApplier**Rear Feedgate**

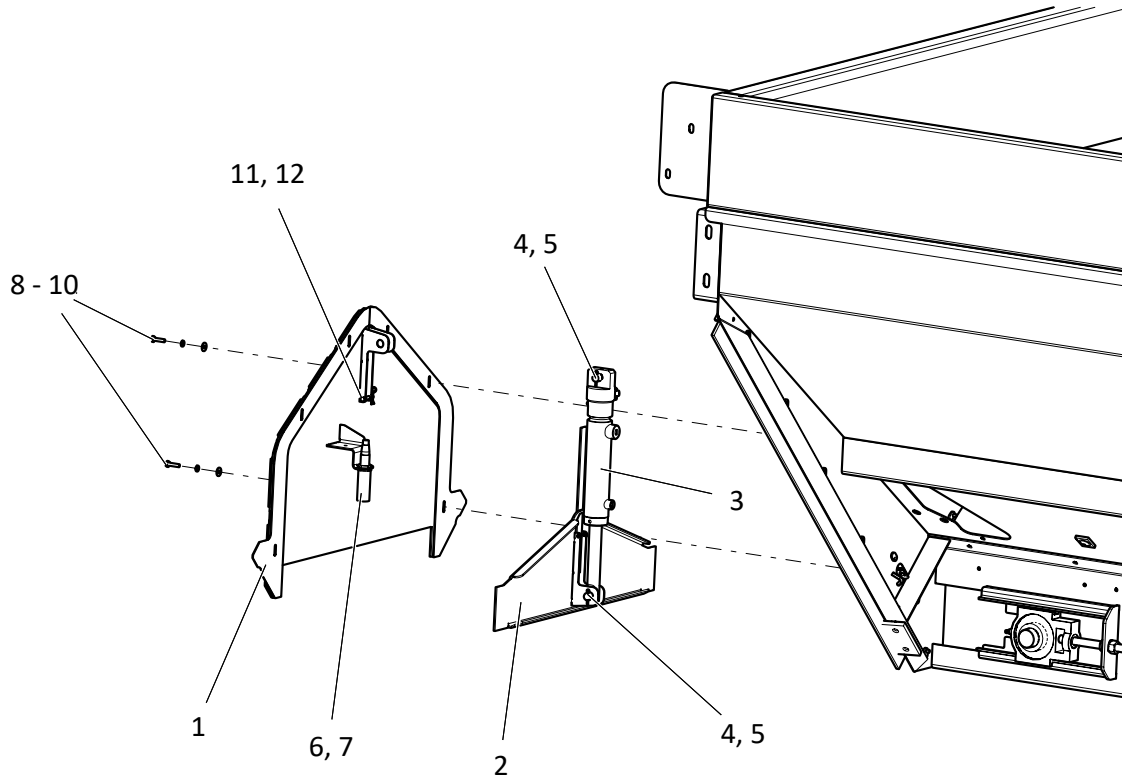
<u>ITEM</u>	<u>PART NO.</u>	<u>DESCRIPTION</u>	<u>QTY</u>
1	312951	Cylinder - 1.5 x 4.75 w/ Sensor	1
2	313265	Feedgate - Wldmt 304	1
3	313173	Pin - Clevis	2
4	36427	Pin - Cotter	2
5	313375	Bar - Feedgate Guide 304	2
6	313376	Bar - Feedgate Slide 304	2
7	313377	Sensor - Ultrasonic	1
8	313378	Cover - Sensor	1
9	36394	Cap Screw - 1/4-20NC x 7/8 SS	6
10	36418	Washer - Lock 1/4 SS	6
11	36412	Nut - Hex 1/4-20NC SS	6
12	98476	Pin - Clevis	1
13	41779	Pin - Hair	1
14	36395	Capscrew - .25-20NC x 1 SS	2
15	36423	Washer - Flat .25 SS	2
16	306558	Sealer - Feedgate Bolt-In 304	2

Hillside Divider & Conveyor Cover



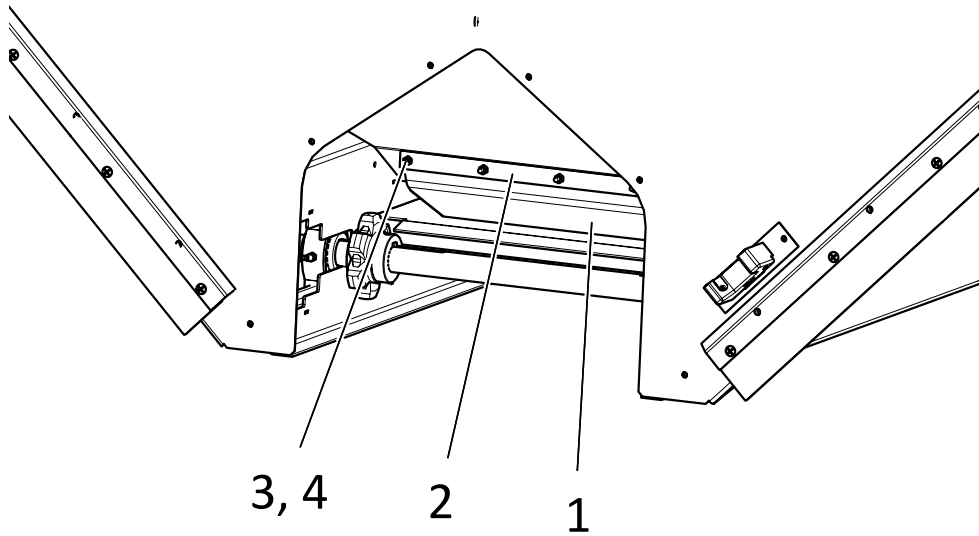
<u>ITEM</u>	<u>PART NO.</u>	<u>DESCRIPTION</u>	<u>QTY</u>
1	313236	Hillside Divider Wldmt 304	1
2	313246	Support - Hillside Divider Wldmt 304	1
3	36408	Bolt - Carriage 3/8-16NC x 1 SS	4
4	36425	Washer - Flat 3/8 SS	4
5	72054	Nut - Lock 3/8-16NC SS	4
6	313249	Cover - Wldmt Rear 304	1
7	36429	Pin - Hair	2

Front Feedgate



<u>ITEM</u>	<u>PART NO.</u>	<u>DESCRIPTION</u>	<u>QTY</u>
	313254	Feedgate - Assy Front, Includes Items 1 - 7	1
1	313255	Insert - Wldmt Feedgate Front 304	1
2	313262	Feedgate - Wldmt 304	1
3	312951	Cylinder - 1.5 x 4.75 w/ Sensor	1
4	313173	Pin - Clevis	2
5	36427	Pin - Cotter	2
6	313377	Sensor - Ultrasonic	1
7	313378	Cover - Sensor	1
8	36395	Cap Screw - 1/4-20NC x 1 SS	6
9	36423	Washer - Flat 1/4 SS	6
10	36418	Washer - Lock 1/4 SS	6
11	98476	Pin - Clevis	1
12	41779	Pin - Hair	1

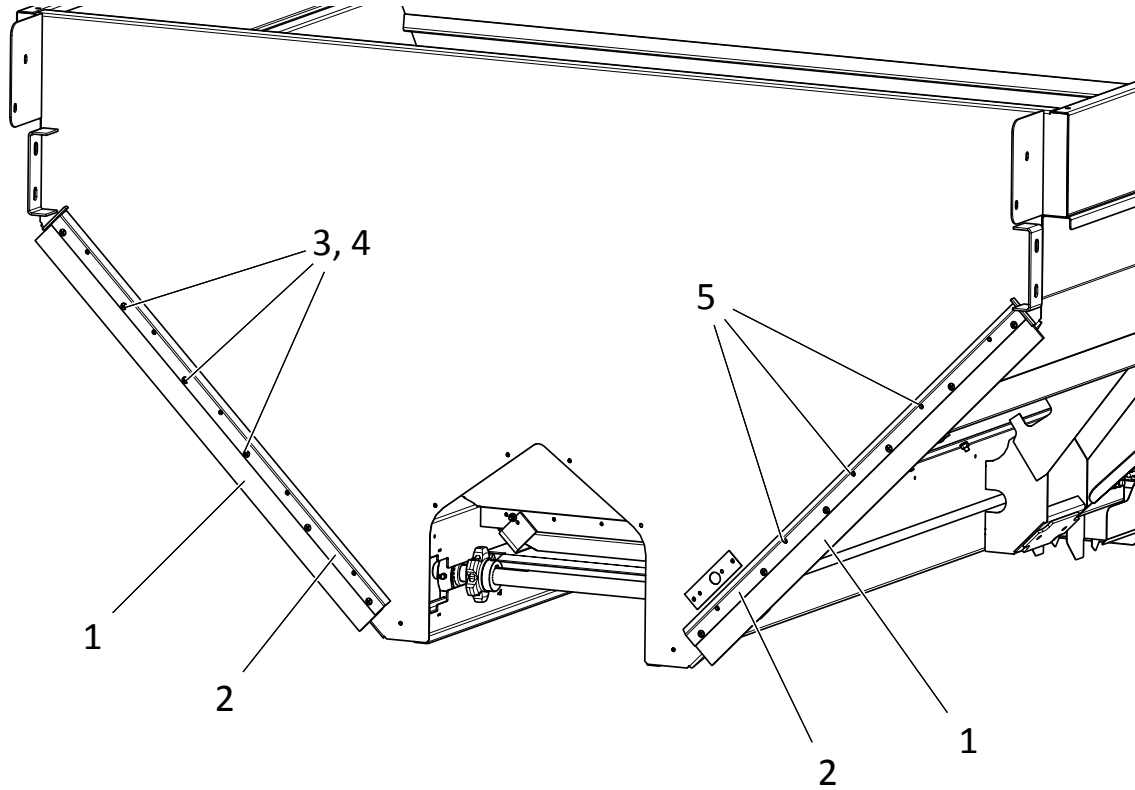
Front Wiper



<u>ITEM</u>	<u>PART NO.</u>	<u>DESCRIPTION</u>	<u>QTY</u>
	86894	Wiper - Group Front, Includes Items 1 - 4	1
1	39426	Wiper – Belt Front	1
2	54230	Retainer – Wiper	1
3	42033	Screw – Machine 1/4-20NC x 1	5
4	36412	Nut – Hex 1/4-20NC	5

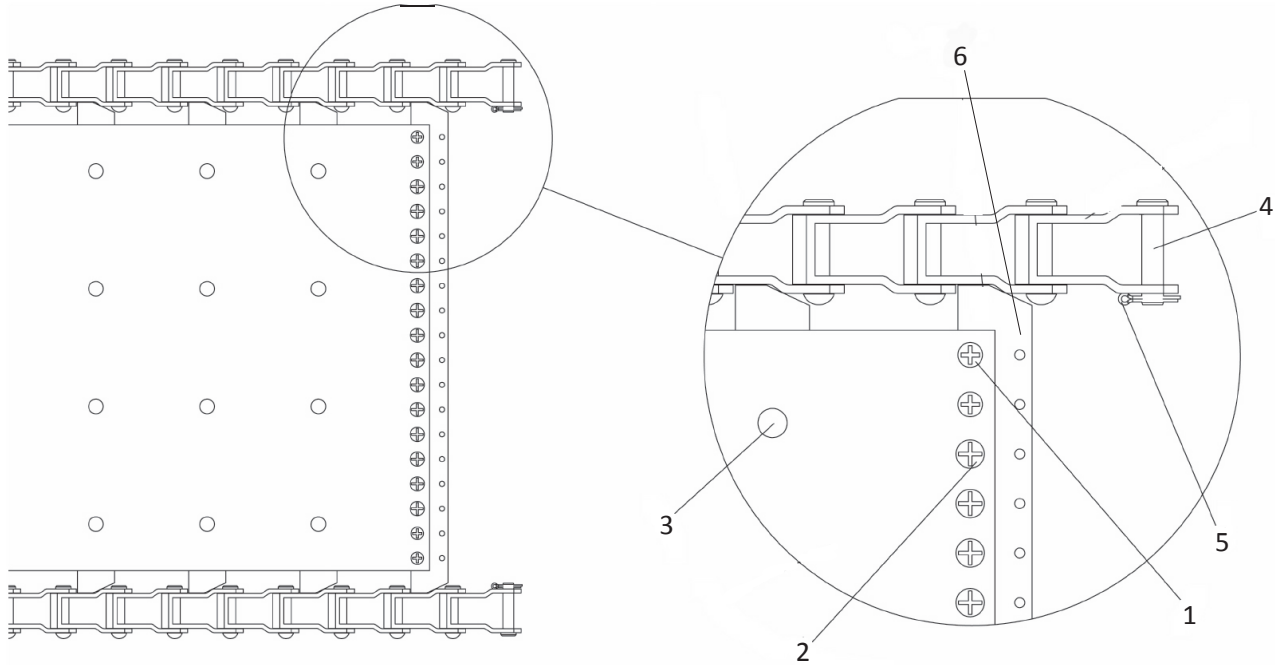
MultApplier

Sealers



<u>ITEM</u>	<u>PART NO.</u>	<u>DESCRIPTION</u>	<u>QTY</u>
	313408	Sealer - Group Front, Includes Items 1 - 5	1
	306637	Seal - Assy 304, Includes Items 1 - 4	2
1	306582	Seal - Belting Pre-Cut	2
2	306581	Retainer - Seal 304	2
3	56258	Screw - TruSS Head 1/4-20NC x 1/2 SS	12
4	88931	Nut - Tee 1/4-20NC x 1/4	12
5	36395	Cap Screw - 1/4-20NC x 1 SS	10

#4 BOC Conveyor

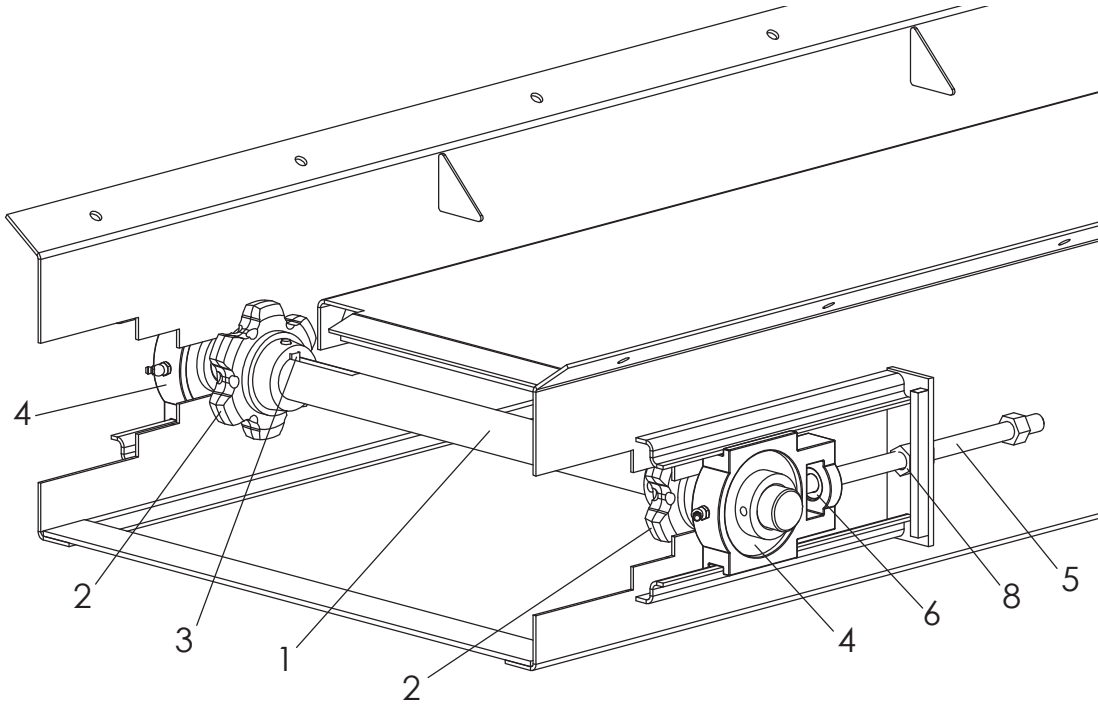


<u>ITEM</u>	<u>PART NO.</u>	<u>DESCRIPTION</u>	<u>QTY</u>
	308712-AC	Chain Wldmt - 7', Includes Items 1 - 6	1
1	20617	Screw - Flat 1/4-20NC x 1/2	8
2	20624	Screw - Truss Head 1/4-20NC x 1/2	28
3	308534	Screw - 1/4 x 1/2-20NC	AR
4	21118	Pin - Chain Pintle	2
5	20817	Pin - Cotter	2
6	70473	Bar - Splicer	1

This page is intentionally left blank.

MultApplier Conveyor Idler

NL5060

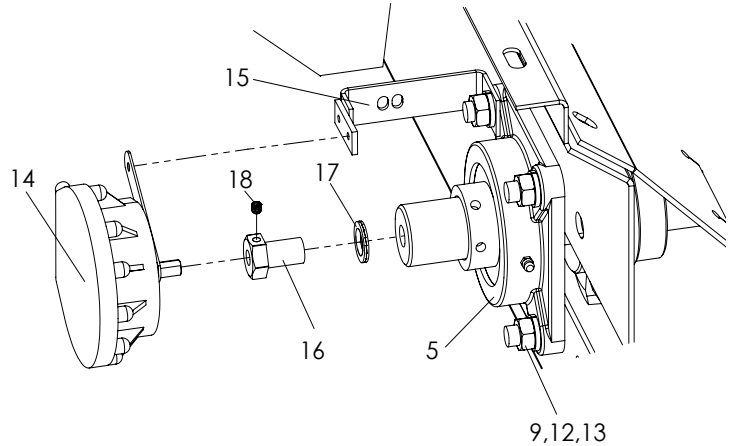
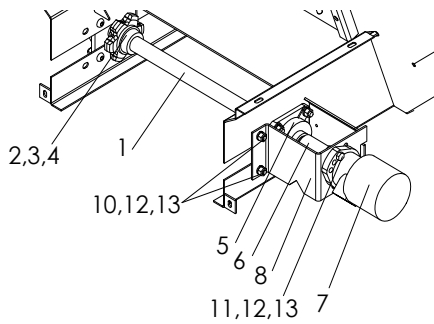


ITEM	PART NO.	DESCRIPTION	QTY
	89780	Shaft - Idler Assy, Includes 1-5	
1	89779	Shaft - Idler	1
2	86757	Sprocket	2
	20743	Screw - Set 5/16-18NC x 3/8	4
3	6131	Key - Square	2
4	22511	Bearing	2
5	87857	Bolt Wldmt	2
6	17078	Collar - Set	2
7	* 36417	Nut - Hex 5/8 SS	2
8	87856	Nut Wldmt 304	2
9	306595	Extended Idler - Pipe Wldmt Adj 7' 304	2

* - Not Shown

MultApplier

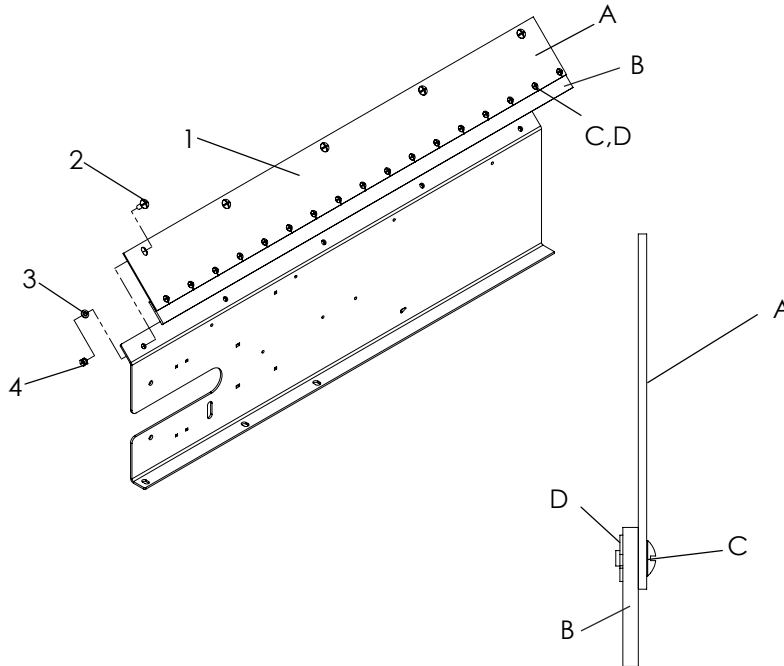
Conveyor Drive & Encoder



ITEM	PART NO.	DESCRIPTION	QTY
	86759-X1	Shaft - Drive Assy, Includes Items 1-5	
1	310644	Shaft - Drive	1
2	86757	Sprocket	2
3	6131	Key - Square	2
4	20743	Screw - Set	4
5	6697	Bearing	2
6	86762 * 4059	Coupling - Shaft Key - Square 5/16 x 1-1/2	1 1
7	311056 *56327	Motor - Hydraulic 29.1 CID Seal Kit	1 1
8	86766	Mount - Motor	1
9	304484	Screw - Button Head 1/2-13NC x 1-1/2 SS	8
10	72056	Bolt - Carriage 1/2-13NC x 1 SS	2
11	36539	Cap Screw - 1/2-13NC x 1-1/2 SS	2
12	36422	Washer - Lock 1/2 SS	12
13	36416	Nut - Hex 1/2 SS	12
14	303994	Encoder - Conveyor 180	1
15	304953- X1	Bracket - Encoder	1
16	310601	Coupler - Rate Sensor	1
17	310602	Washer - Special Lock	1
18	310603	Screw - Set 1/4-20NC x 5/16 SS	1

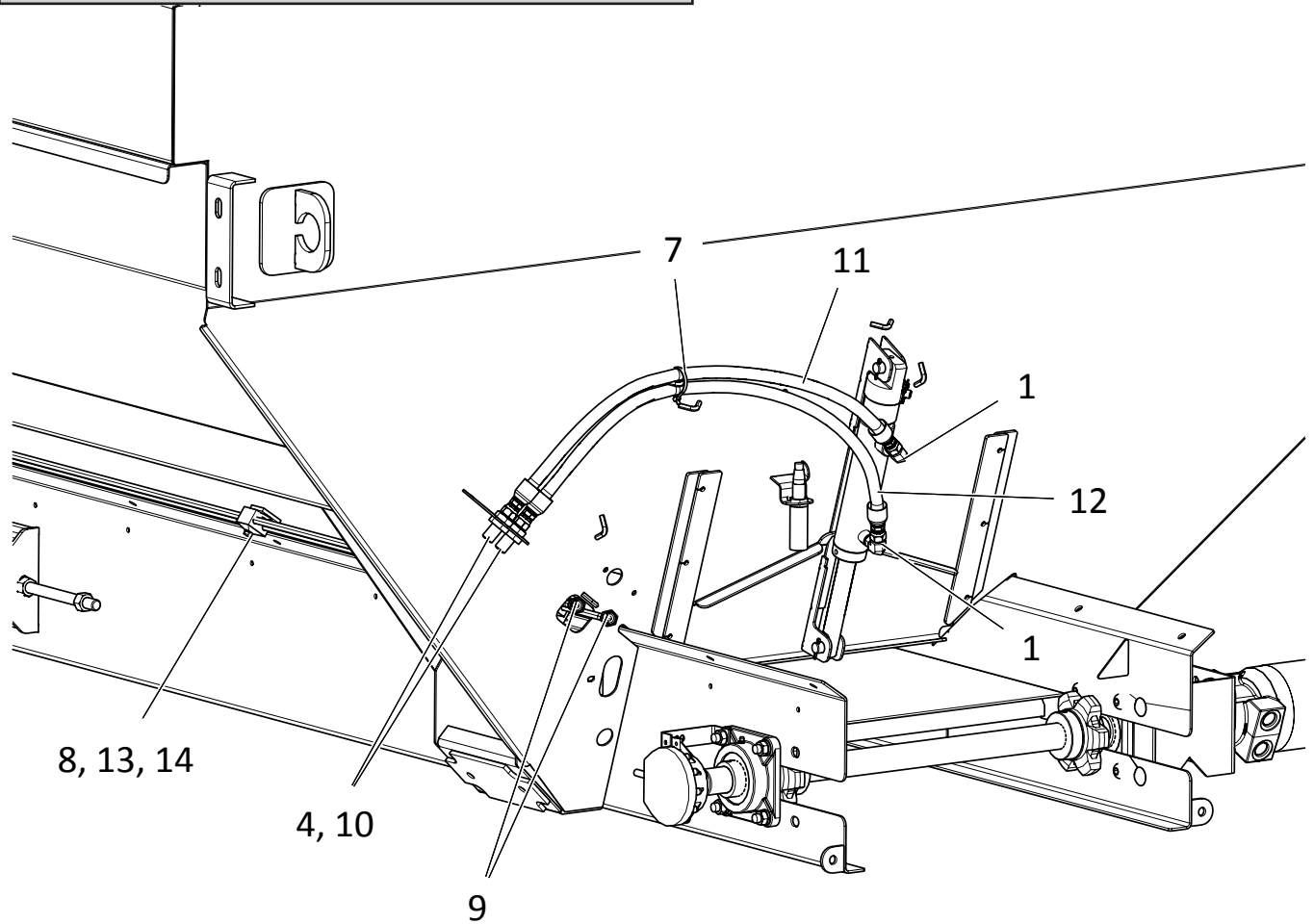
* - Not Shown

Chain Shields - MultApplier



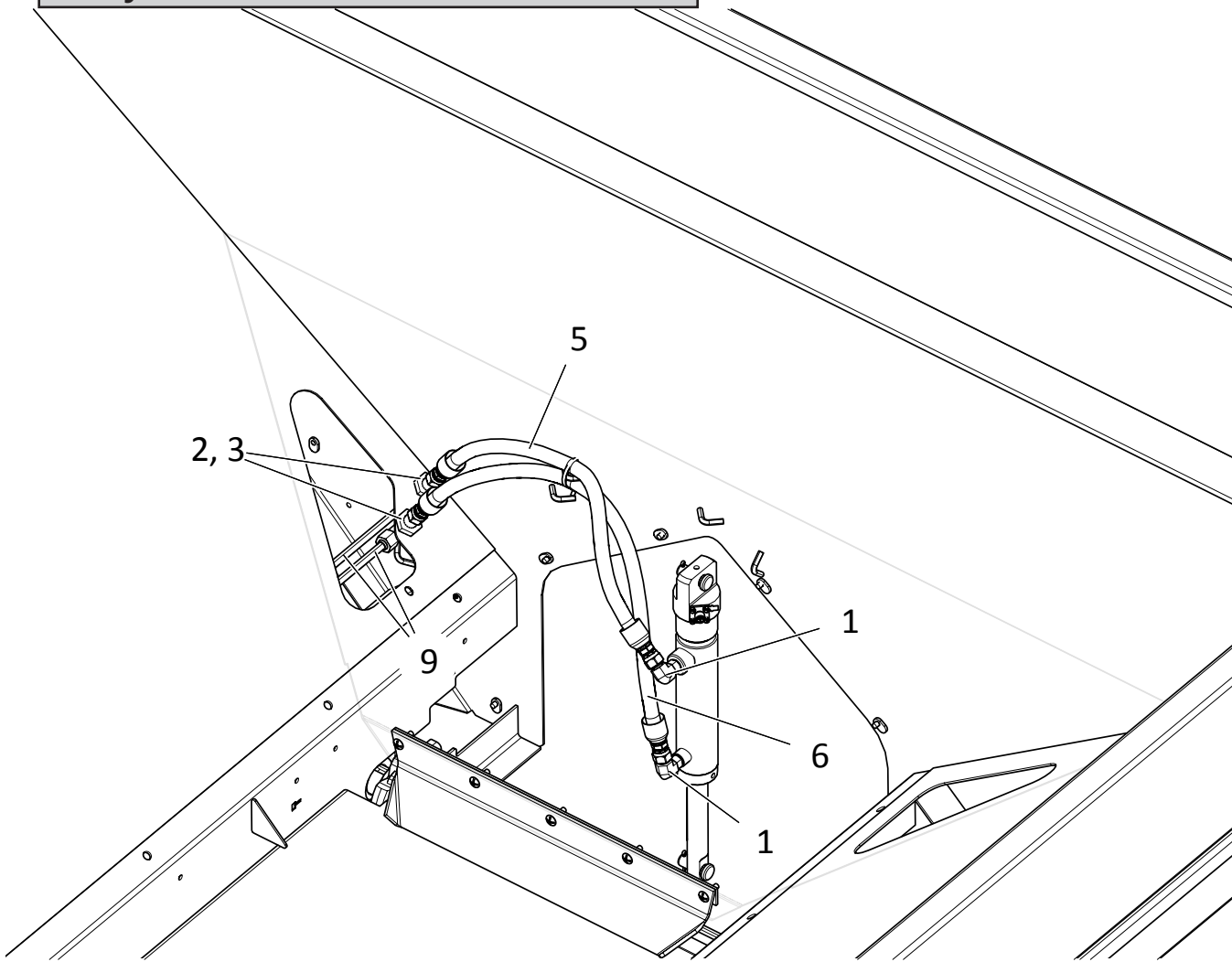
<u>ITEM</u>	<u>PART NO.</u>	<u>DESCRIPTION</u>	<u>QTY</u>
1	303977	Shield – Chain Assy - 7' Unit	2
A	303978	Shield – Chain - 7' Unit	2
B	305975	Belting – Sealer, specify length	AR
C	56258	Screw – Truss Head 1/4-20 x 1/2	AR
D	88931	Nut – Tee 1/4 x 1/4	AR
2	71829	Screw – Machine 3/8-16 x 1 SS	AR
3	36420	Washer – Lock 3/8 SS	AR
4	36414	Nut – Hex 3/8-16 SS	AR
AR – As Required			

Hydraulics



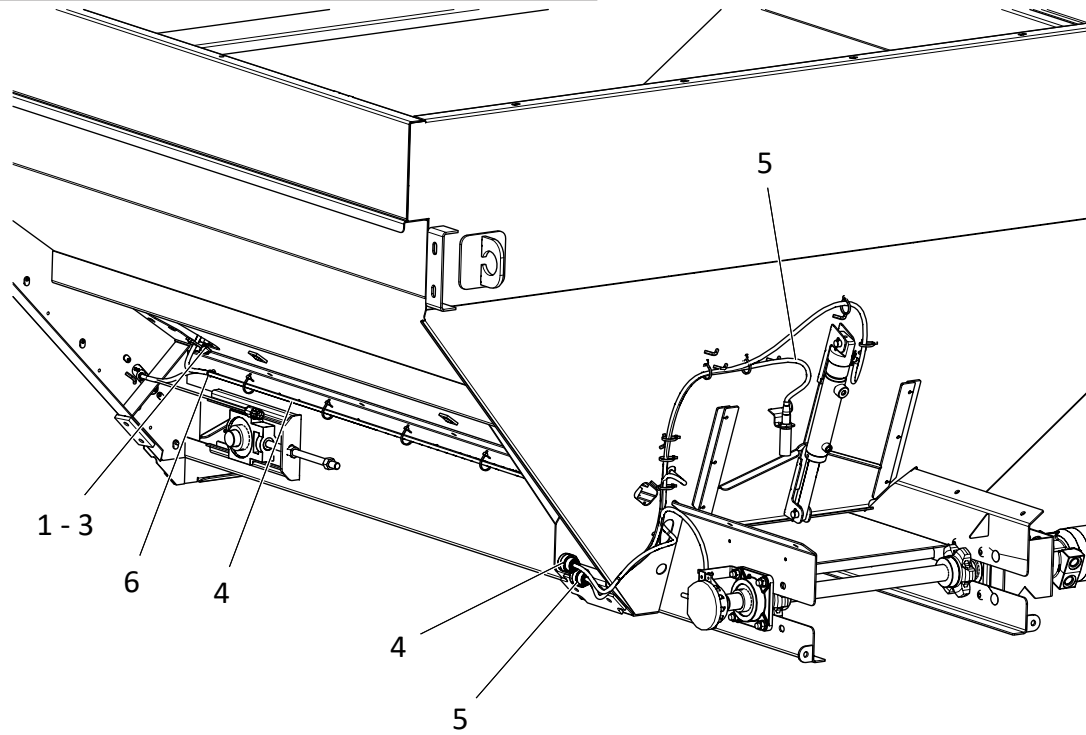
<u>ITEM</u>	<u>PART NO.</u>	<u>DESCRIPTION</u>	<u>QTY</u>
1	313465	Fitting - 6-4 520220	4
2	313468	Fitting - 6-6 520701	2
3	313467	Fitting - 6 520118	2
4	313485	Fitting - 6 520118 304	2
5	313549	Hose - Assy SAE 6 x 23 100R1	1

Hydraulics Cont.



<u>ITEM</u>	<u>PART NO.</u>	<u>DESCRIPTION</u>	<u>QTY</u>
6	313550	Hose - Assy SAE 6 x 24-1/2 100R1	1
7	99674	Tie - Wire	2
8	313385	Clamp - Tubing Twin 3/8	3
9	314428	Tube - Assy 3/8 SS 5' MultApplier	2
	313337	Tube - Assy 3/8 SS 7' MultApplier	2
10	313486	Fitting - 6-6 520601 304	2
11	313543	Hose - Assy SAE 6 x 30 100R1	1
12	313544	Hose - Assy SAE 6 x 32-1/2 100R1	1
13	36418	Washer - Lock 1/4	3
14	40750	Cap Screw - 1/4-20NC x 1-1/4 SS	3

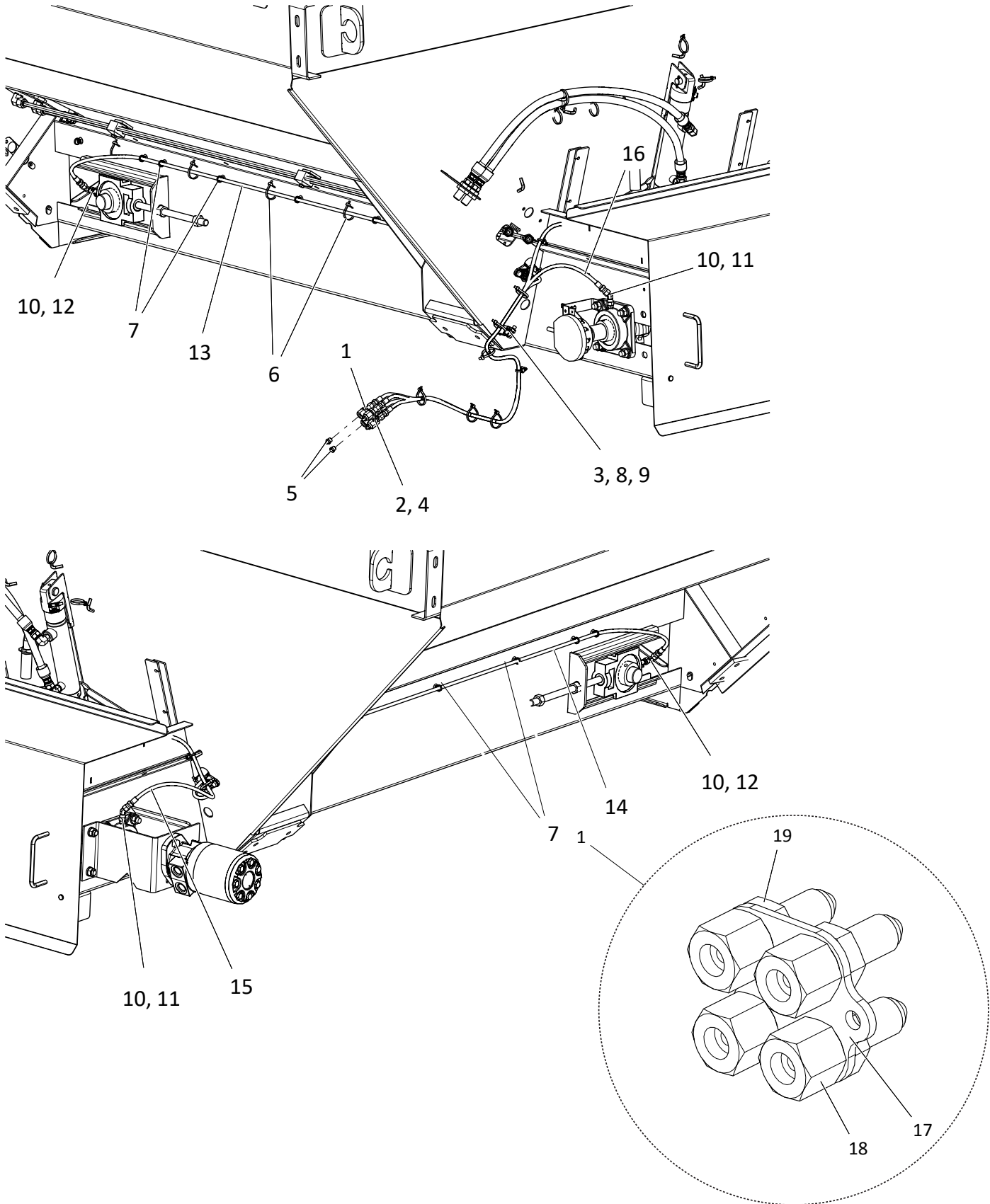
Electrical



<u>ITEM</u>	<u>PART NO.</u>	<u>DESCRIPTION</u>	<u>QTY</u>
1	312964	Clip - Harness Mounting	1
2	34580	Cap Screw - 5/16-18NC x 1 SS	1
3	42221	Nut - Lock 5/16-18NC SS	1
4	99674	Tie - Wire	18
5	313998	Harness - Bin 1 Insert Control	1
6	313999	Harness - Bin 2 Insert Control	1
7	311806	Tie - Wire Fir Tree	2

MultApplier Lubrication

NL5060

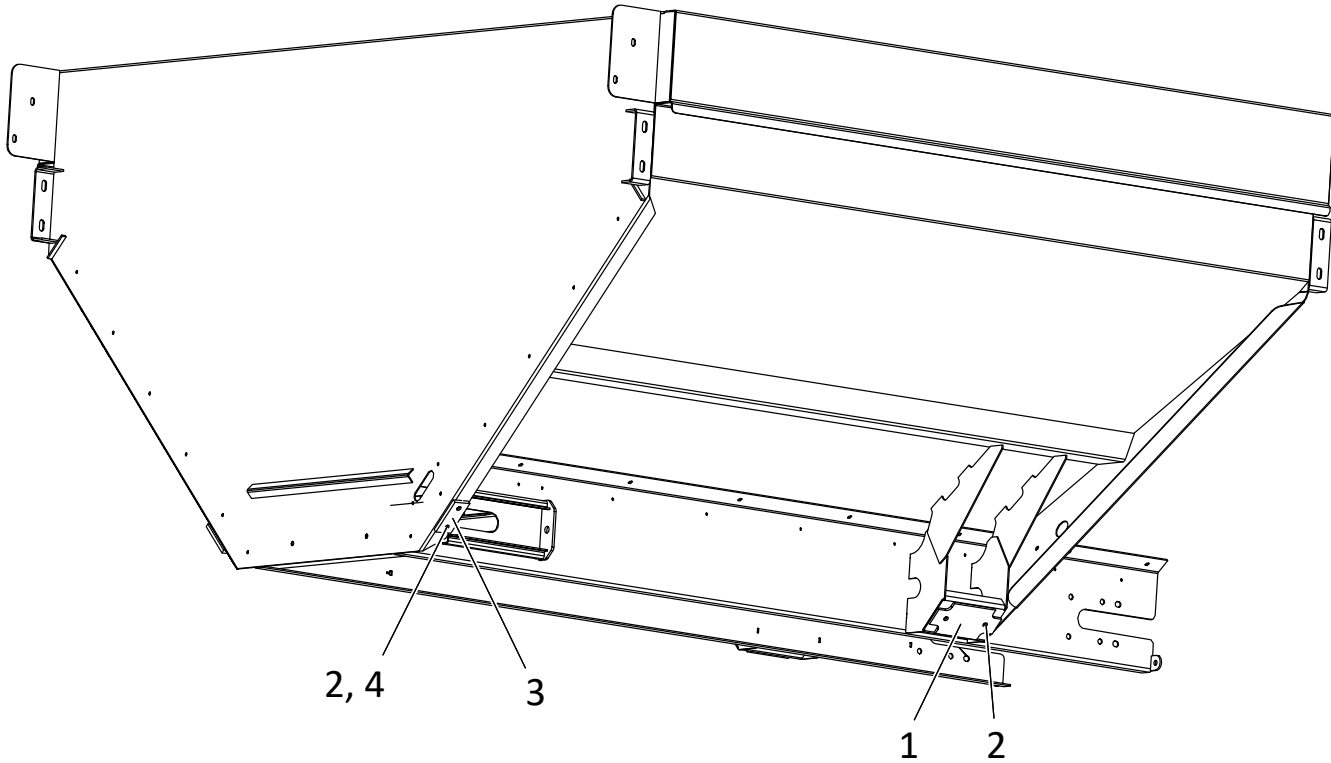


Lubrication Cont.

<u>ITEM</u>	<u>PART NO.</u>	<u>DESCRIPTION</u>	<u>QTY</u>
1	313915	Lube Bank - Assy 4 Position, Includes Items 17 - 19	1
2	44454	Screw - Socket Head @10-24NC x 1 SS	2
3	42221	Nut - Lock 5/16-18NC SS	3
4	56355	Nut - Lock #10-24NC SS	2
5	313917	Zerk - Grease 1/8-27 NPT SS	4
6	99674	Tie - Wire	19
7	311806	Tie - Wire Fir Tree	19
8	312964	Clip - Harness Mounting	3
9	34580	Cap Screw - 5/16-18NC x 1 SS	3
10	34787	Fitting - 4-2 070102	4
11	313501	Fitting - 4-4 070321	2
12	34868	Fitting - 4-4 070221	2
13	317310	Hose - Assy LH Idler Bearing 7' MultApplier	1
14	317311	Hose - Assy RH Idler Bearing 7' MultApplier	1
15	317313	Hose - Assy LH Drive Bearing	1
16	317312	Hose - Assy RH Drive Bearing	1
17	313912	Plate - Lube Bank 4 Position	1
18	313916	Fitting - 4-2 Non-Standard Bulkhead	4
19	311489	Fitting - 4 070118 Nut	4

MultApplier Mounts

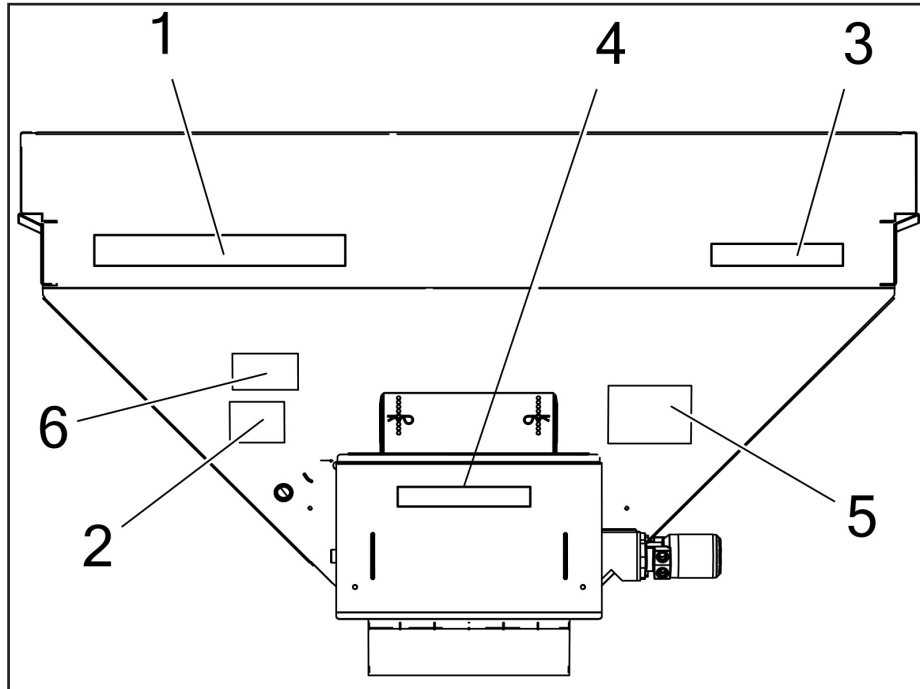
NL5060



<u>ITEM</u>	<u>PART NO.</u>	<u>DESCRIPTION</u>	<u>QTY</u>
1	306924	Mount - Foot Pad	2
2	47268	Screw - Flathead 1/4-20 x 1 SS	8
3	307097	Mount - Pad	2
4	42034	Nut - Lock 1/4-20 SS	4

MultApplier

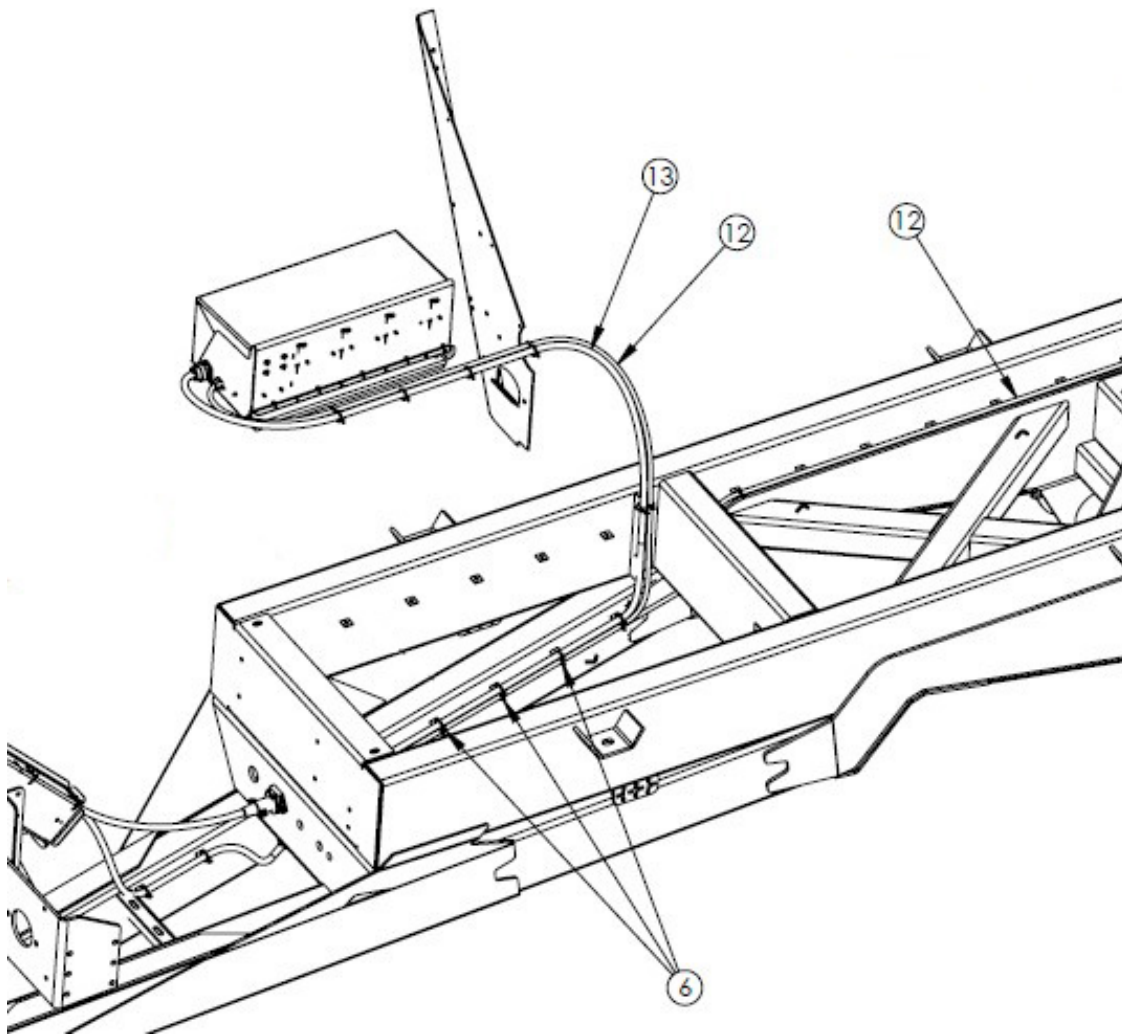
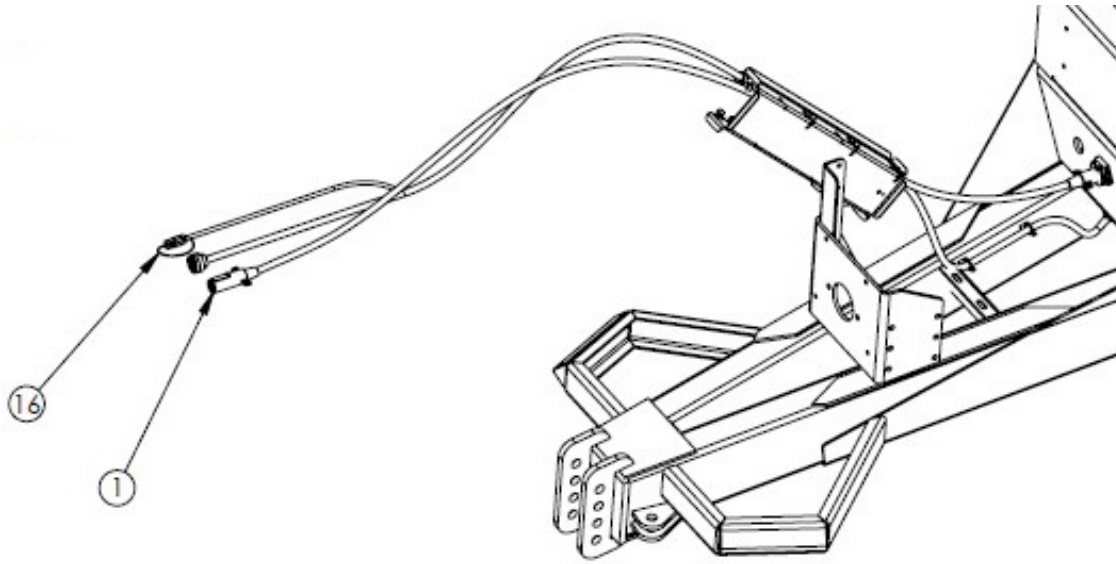
Decals



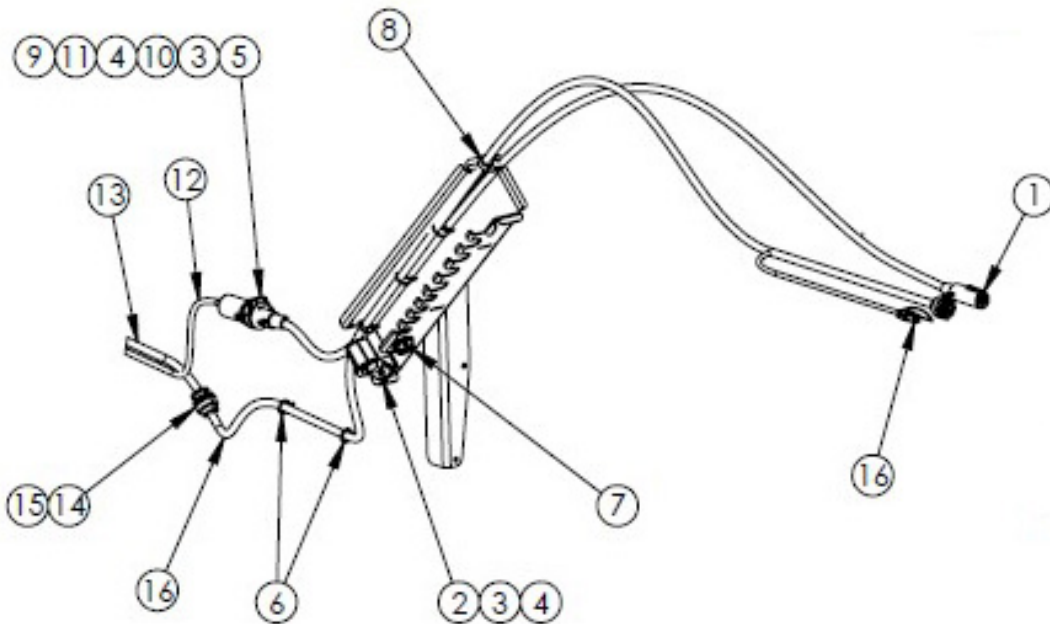
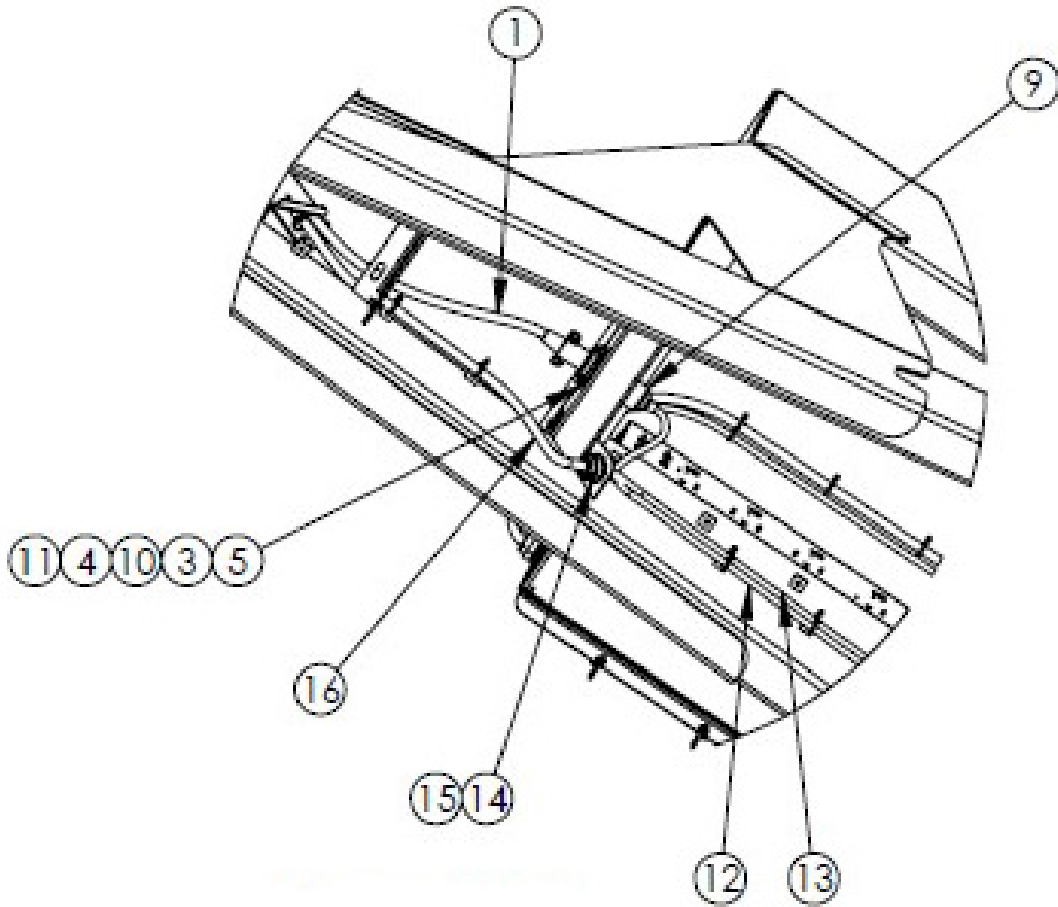
NOTE: See "Decals" in Safety section for details.

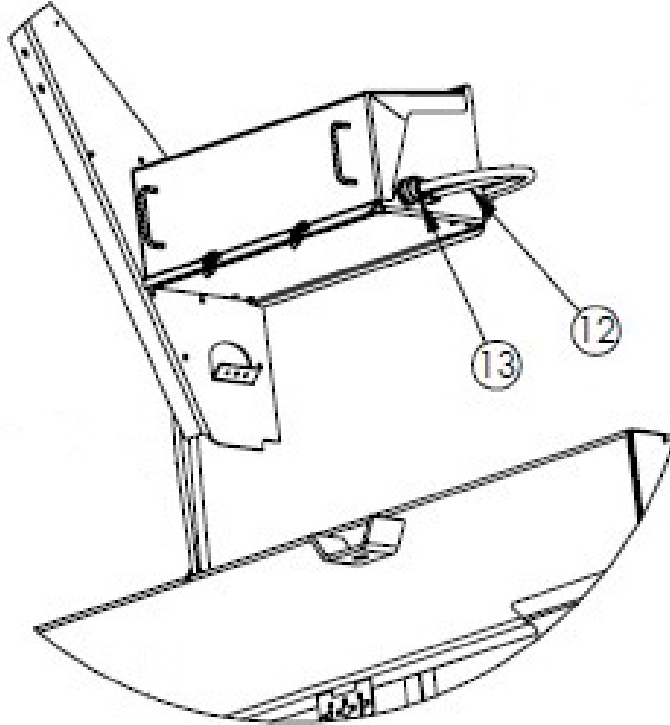
<u>ITEM</u>	<u>PART NO.</u>	<u>DESCRIPTION</u>	<u>QTY</u>
1	312561	Decal - New Leader, Black	1
2	21476	Decal - Notice, Chain Lubrication	1
3	315907	Decal - NL5060	1
4	312591	Decal - MultApplier, Black	1
5	368	Decal - Danger, Flying Material	1
6	312276	Decal - Notice, Spread Pattern	1

Electrical



Electrical

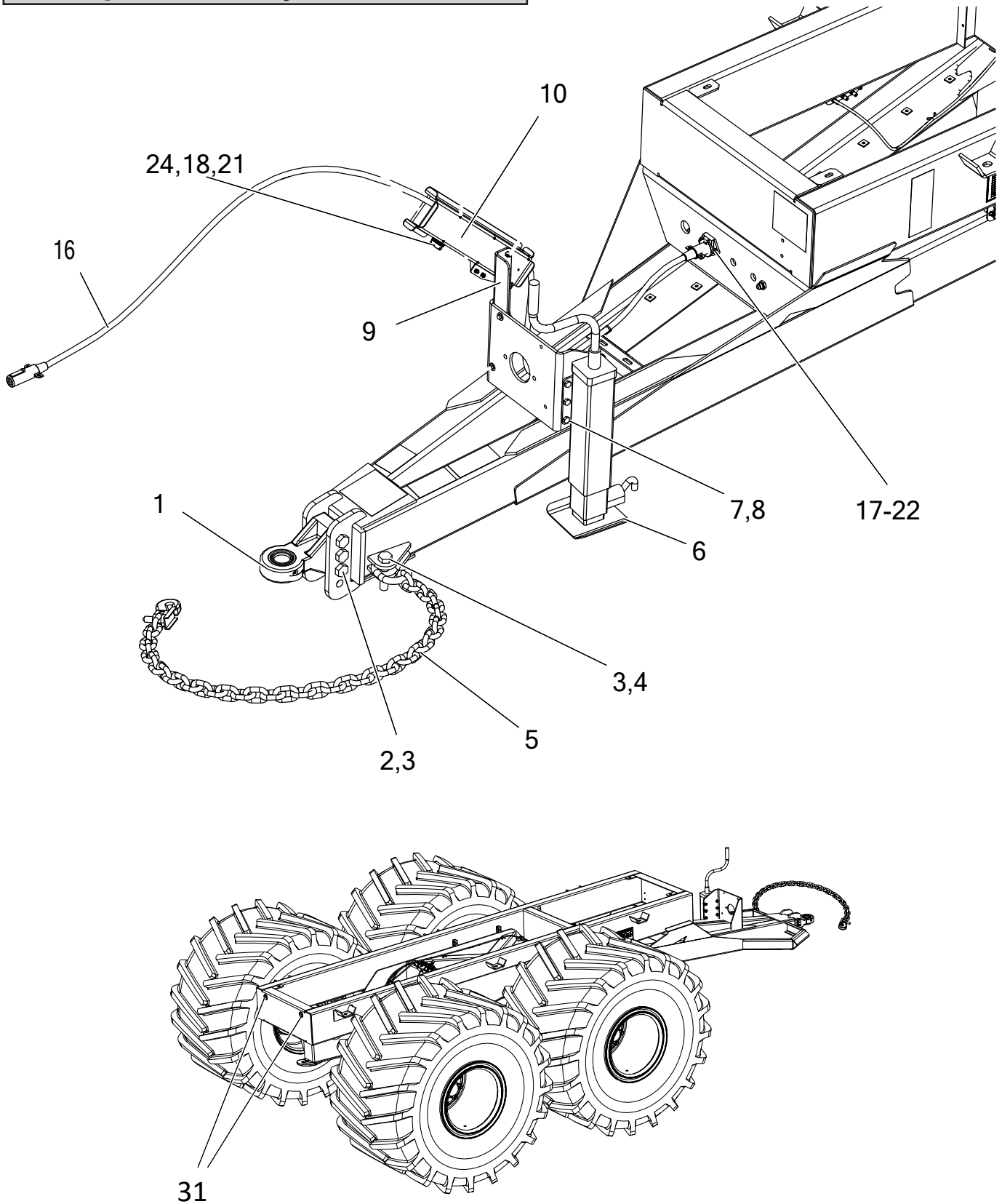




Electrical

<u>ITEM</u>	<u>PART NO.</u>	<u>DESCRIPTION</u>	<u>QTY</u>
1	312888	Cord - Connector 12'	1
2	312887	Plug - Stor A Way 7 Pole	1
3	20037	Capscrew - .313-18nc X 1.25	4
4	20643	Nut - Hex .313-18nc Zn	4
5	9011-0-7102	Receptacle - 7 Way Flush Mount	1
6	99674	Strap - Zip Tie 8 Black	57
7	313050	Receptacle - Assy	1
8	310648	Tie - Dual Clamp	5
9	9011-0-7103	Boot - Receptacle	1
10	20692	Washer - Flat .313 Zn	2
11	20711	Washer - Lock .313 Zn	2
12	312893	Harness - Tr3000	1
13	318430	Harness - Extension Isobus	1
14	317730	Nut - Panel Plastic Size 24hdp	1
15	317731	Washer - Lock Size 24 Hdp	1
16	318431	Harness - Implement Isobus	1

Tongue Assembly

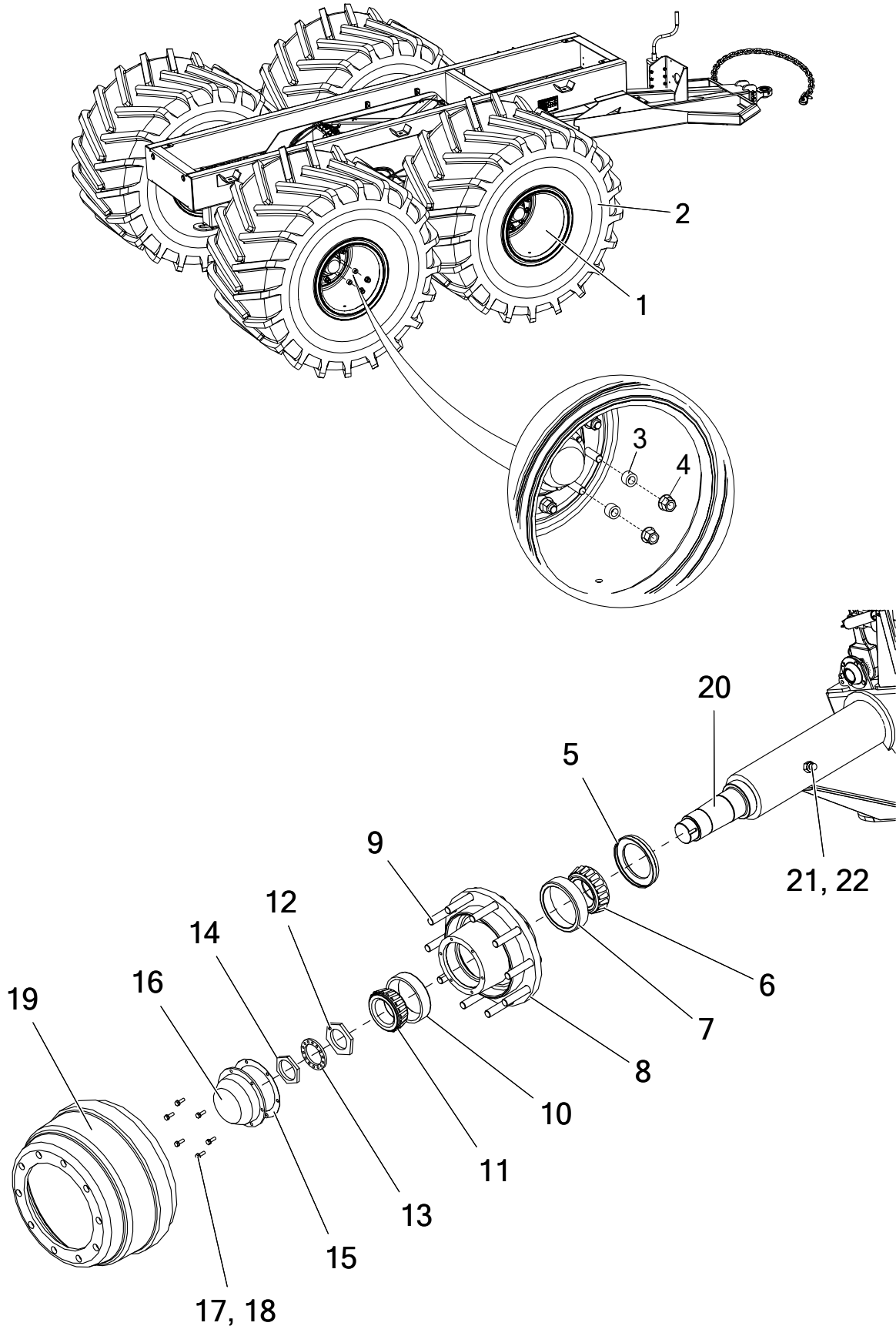


Tongue Assembly Cont.

ITEM	PART NO.	DESCRIPTION	QTY
1	314300	Hitch - Bull-Pull	1
2	89545	Cap Screw - 1-8NC x 7 GR8	3
3	20685	Nut - Lock 1-8NC	4
4	305702	Cap Screw - 1-8NC x 4-1/2 GR8	1
5	305420	Chain - Safety 60K	1
6	305678	Jack - Wldmt	1
7	20129	Cap Screw - 1/2-13NC x 1-1/2	6
8	20680	Nut - Lock 1/2-13NC	6
9	312885	Angle - Upright	1
10	312886	Channel - Hose Guide	1
11	20051	Cap Screw - 5/16-18NC x 4-3/4	2
12	20677	Nut - Lock 5/16-18NC	2
13	20318	Bolt - Carriage 3/8-16NC x 1	3
14	20678	Nut - Lock 3/8-16NC	
15	20068	Cap Screw - 3/8-16NC x 1-1/4	2
16	312888	Cord - Connector Lighting 12'	1
17	9011-0-7102	Receptacle - 7 Way Flush Mount	1
18	20037	Cap Screw - 5/16-18NC x 1-1/4	2
19	20711	Washer - Lock 5/16	2
20	20692	Washer - Flat 5/16	2
21	20643	Nut - Hex 5/16-18NC	2
22	9011-0-7103	Boot - Receptacle	1
23	*312893	Harness - Main TR3000	1
24	312887	Plug - Stor-A-Way 7 Pole	1
25	20003	Cap Screw - 1/4-20NC x 3/4	2
26	20676	Nut - Lock 1/4-20NC	2
27	313050	Receptacle - Assy Storage ISOBUS	1
28	99674	Tie - Wire	59
29	*312894	Harness - ISOBUS Implement Extension	1
30	*310648	Tie - Dual Clamp	5
31	21655	Grommet - Rubber	2

* - Not Shown

Wheel End & Tires



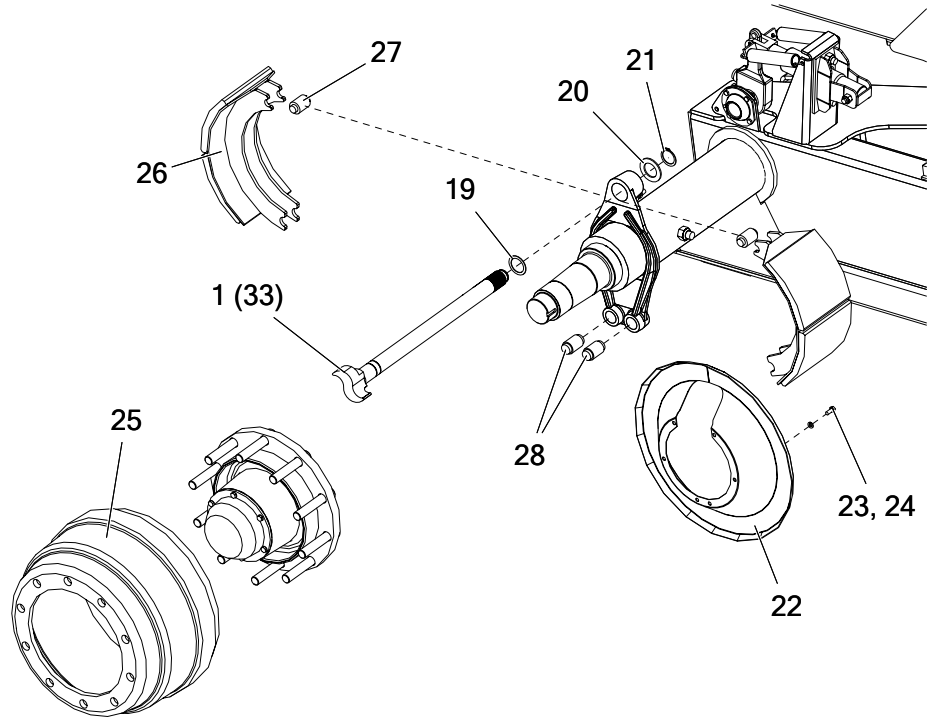
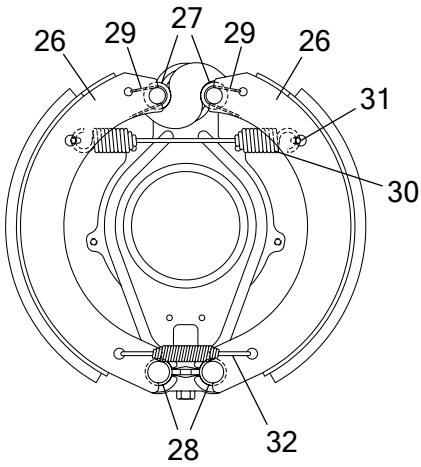
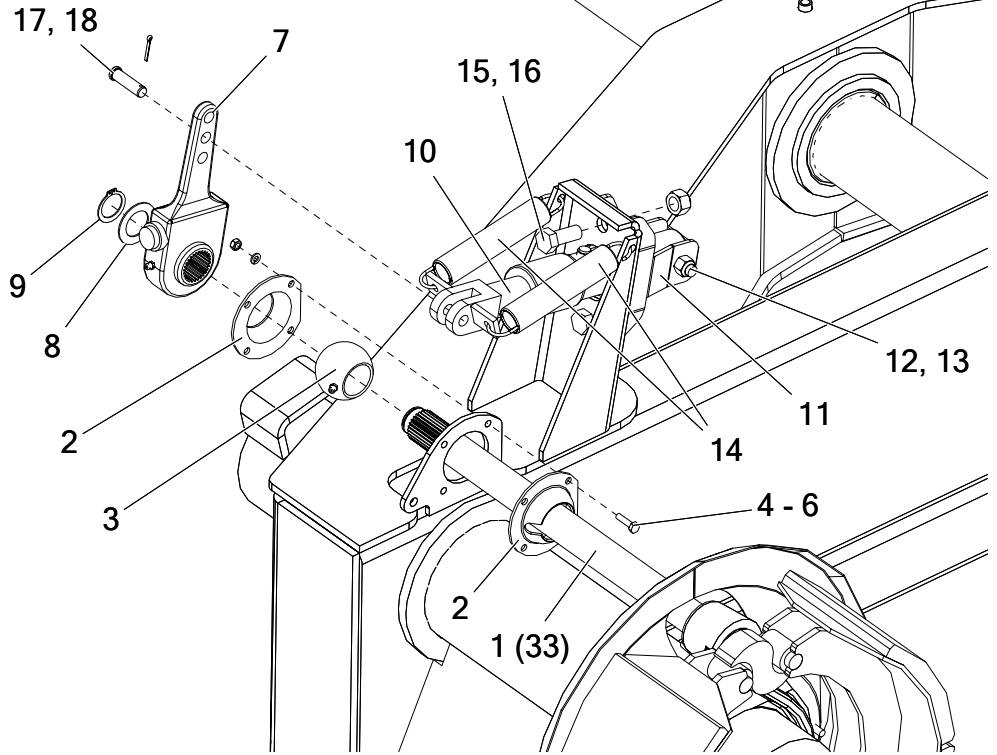
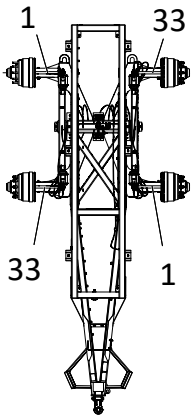
TR3000

Wheel End & Tires Cont.

ITEM	PART NO.	DESCRIPTION	QTY
	307279-AA	Tire - Assy Mounted Bias-Ply, LH	2
	307279-AB	Tire - Assy Mounted Bias-Ply, RH	2
	304926	Hub - Assy, Includes Items 4, 7-9, 10, 19	4
1	307280	Wheel - Rim 25 x 36 White	4
2	304929	Tire - Flotation 66 x 43-25	4
3	305794	Spacer - Wheel Bolt	40
4	304926-AD	Nut - Flange Swivel M22 x 1.5	40
5	304989	Seal - Grease	4
6	304936	Bearing - Inner Cone 759	4
7	304926-AE	Bearing - Race Inner	4
8	304926-AA	Hub	4
9	304926-AC	Stud	40
10	304926-AF	Bearing - Race Outer	4
11	304937	Bearing - Outer Cone 740	4
12	304938	Spindle Nut - Inner	4
13	304940	Washer - Spindle Lock	4
14	304939	Spindle Nut - Outer	4
15	304986	Gasket - Hub Cap	4
16	307283	Cap - Hub White	4
17	20036	Cap Screw - 5/16-18NC x 1	24
18	20711	Washer - Lock 5/16	24
19	304926-AB	Drum - Brake	4
20	304925	Spindle - A26	4
21	58560	Cap Screw - 3/4-10NC x 7	4
22	20683	Nut - Lock 3/4-10NC	4
23	*306671	Plug - Plastic Tapered	4

* - Not Shown

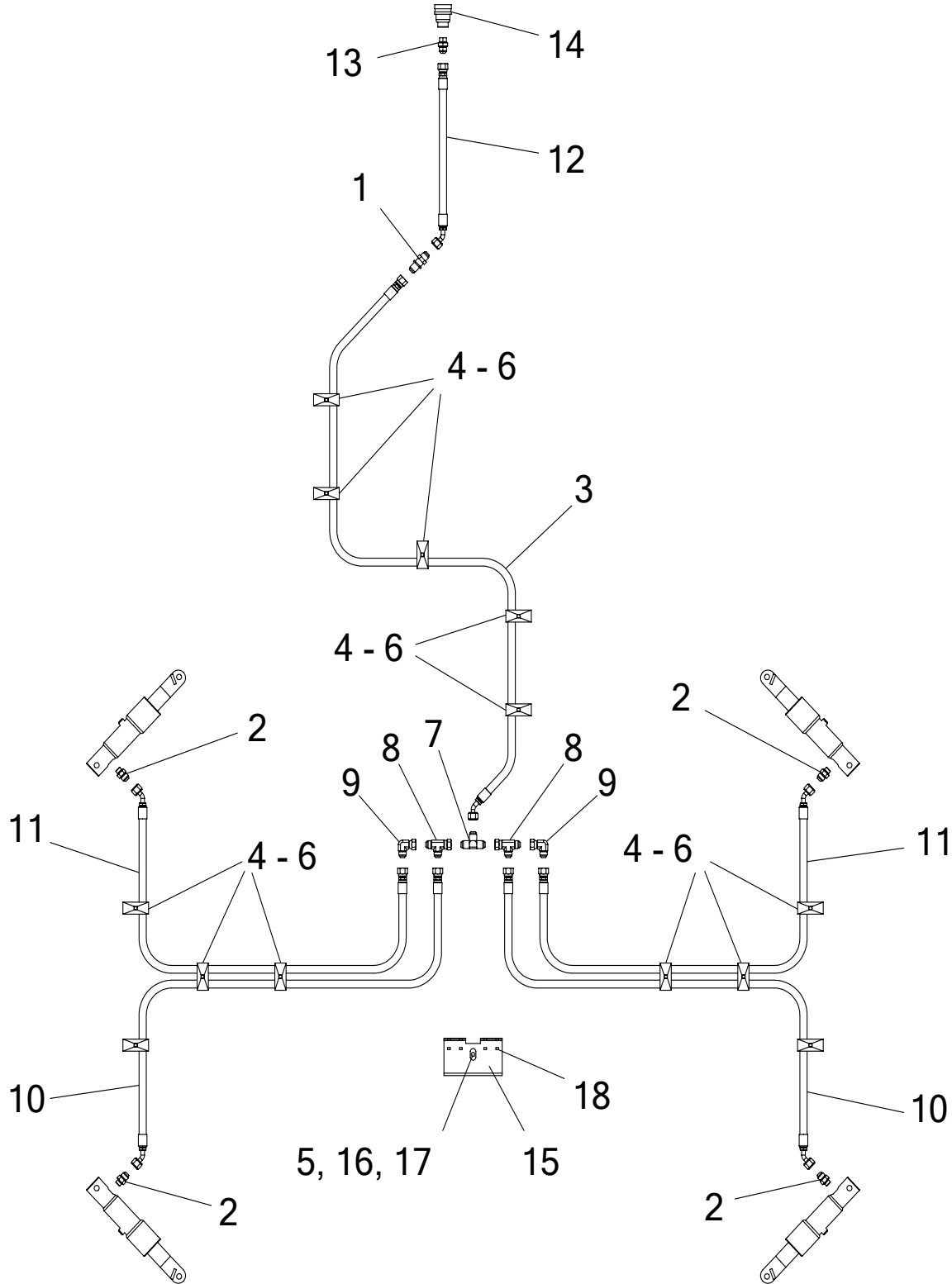
Hydraulic Brakes



Hydraulic Brakes Cont.

ITEM	PART NO.	DESCRIPTION	QTY
	304928	Brake Shoe - Assy, Includes Items 26 - 32	4
1	304934	Cam Shaft - RH	2
2	304932	Cover - Cam Bushing	8
3	304987	Bushing - Cam	4
4	20005	Cap Screw - 1/4-20NC x 1	16
5	20710	Washer - Lock 1/4	16
6	20642	Nut - Hex 1/4-20NC	16
7	304935	Slack Adjuster	4
8	304980	Spacer - Cam 1-1/4	4
9	304982	Snap Ring - 1-1/4	4
10	305358	Cylinder - Ram 1.5 x 3	4
11	305369	Mount - Wldmt Ram Brake	4
12	20135	Cap Screw - 1/2-13NC x 3	4
13	20680	Nut - Lock 1/2-13NC	4
14	305359	Spring - Ext	8
15	20175	Cap Screw - 5/8-11NC x 1-1/2	8
16	20682	Nut - Lock 5/8-11NC	8
17	21028	Pin - Clevis	4
18	20817	Pin - Cotter	4
19	304978	Spacer - Cam 1-1/4	4
20	304979	Spacer - Cam 1-1/2	4
21	304981	Snap Ring - 1-1/2	4
22	304984	Dust Shield	4
23	20034	Cap Screw - 5/16-18NC x 3/4	24
24	20711	Washer - Lock 5/16	24
25	304926-AB	Drum - Brake	4
26	304928-AA	Brake - Shoe	8
27	304928-AB	Roller	8
28	304928-AD	Pin - Anchor	8
29	304928-AC	Retainer - Roller	8
30	304928-AF	Spring - Return	4
31	304928-AE	Retainer - Spring Return	8
32	304928-AG	Spring - Retainer	4
33	304933	Cam Shaft - LH	2

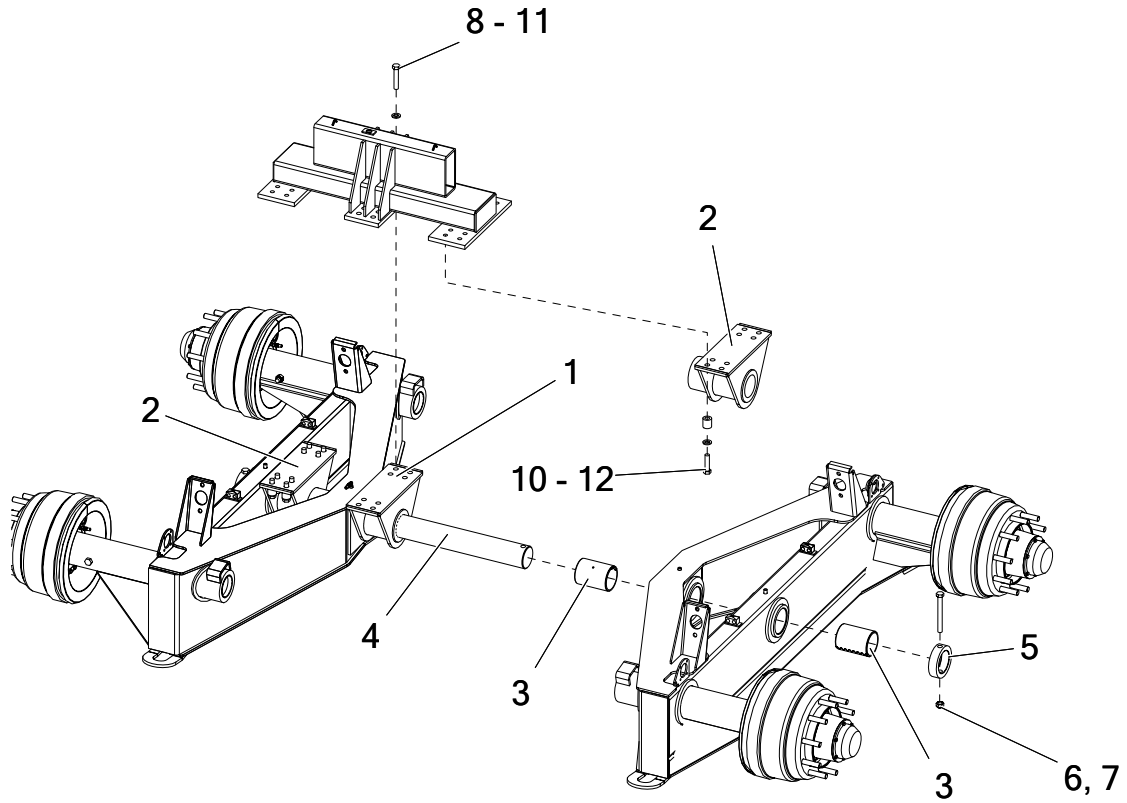
Hydraulic Brakes Cont.



Hydraulic Brakes Cont.

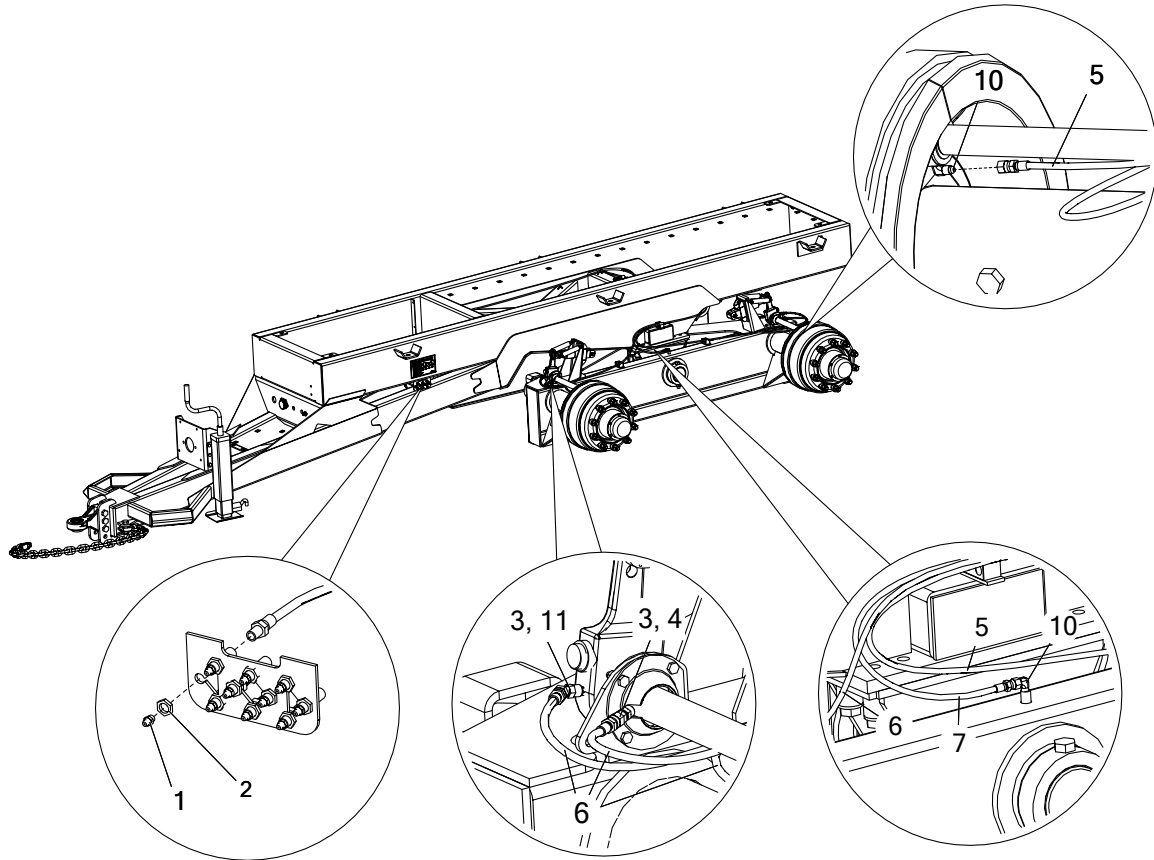
ITEM	PART NO.	DESCRIPTION	QTY
1	34839	Fitting - 8-8 070601	1
2	34809	Fitting - 8-6 070120	4
3	305408	Hose - Assy SAE 6 100R1 x 124	1
4	305410	Clamp - Tubing Twin 5/8 SS	13
5	20711	Washer - Lock 3/8	14
6	20038	Cap Screw - 5/16-18NC x 1-1/2	13
7	86419	Fitting - 8-8-8 070401	1
8	34804	Fitting - 8-8-8 070432	2
9	34803	Fitting - 8-8 070221	2
10	305409	Hose - Assy SAE 6 100R1 x 96	2
11	306049	Hose - Assy SAE 6 100R1 x 84	2
12	307304	Hose - Assy SAE 6 100R1 x 132	1
13	306050	Fitting - 8-18 x 1.5 070187	1
14	305416	Coupling - Disconnect	1
15	306058	Bracket - Fitting Bulkhead	1
16	20692	Washer - Flat 5/16	1
17	20032	Cap Screw - 5/16-18NC x 1/2	1
18	99674	Tie - Wire	4

Walking Beam Suspension



ITEM	PART NO.	DESCRIPTION	QTY
1	305663	Hanger - Wldmt Center	1
2	305664	Hanger - Wldmt Side	2
3	309351	Bushing - Walking Beam	4
4	309350	Shaft - Pivot	1
5	304991	Retainer - Pivot	2
6	58560	Cap Screw - 3/4-10NC x 7	2
7	20683	Nut - Hex 3/4-10NC	2
8	303692	Cap Screw - 3/4-10NC x 4 GR8	8
9	97015	Nut - Hex 3/4-10NC GR8	8
10	34579	Washer - Flat 3/4 Hardened	24
11	305795	Spacer - Bolt	24
12	89538	Cap Screw - 3/4-10NC x 3 GR8	16

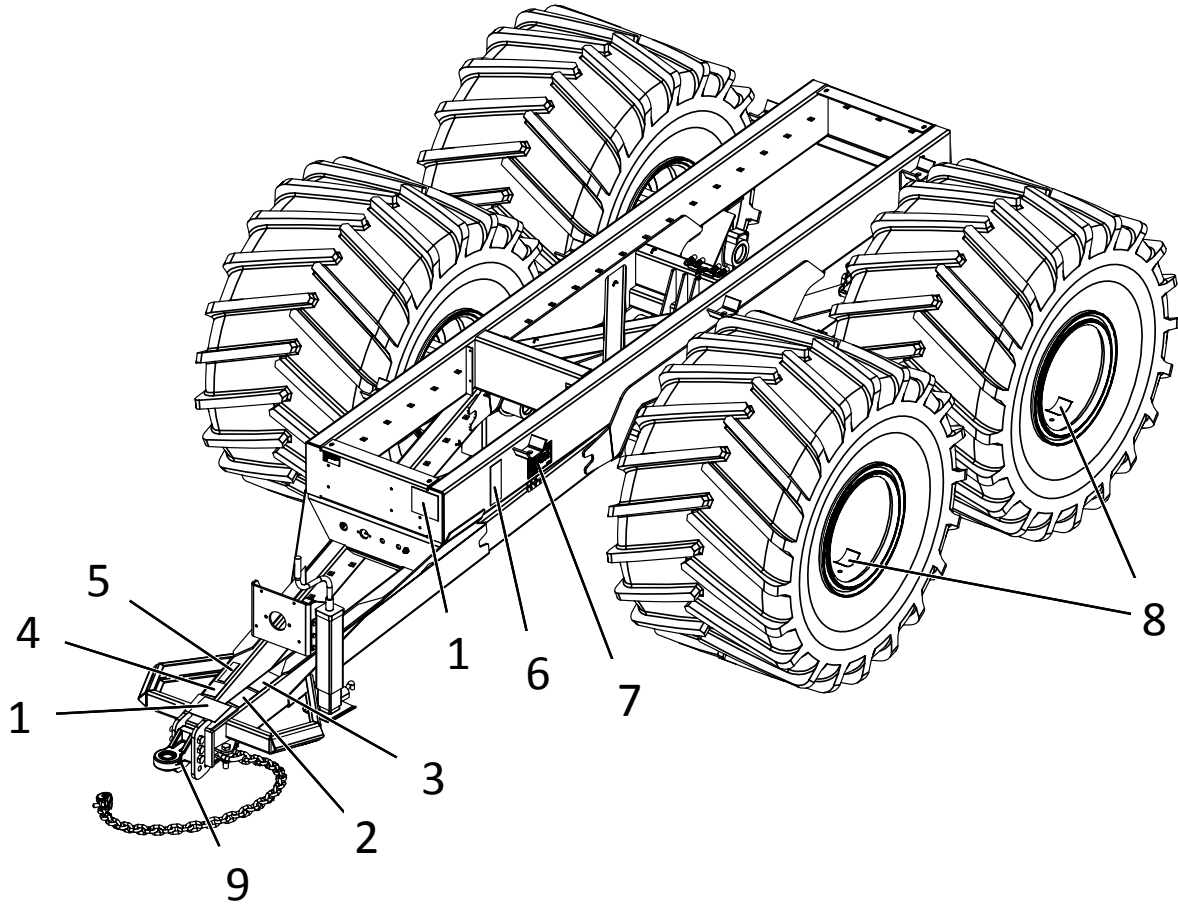
Lubrication



ITEM	PART NO.	DESCRIPTION	QTY
1	6072	Zerk - Grease	19
2	310471	Nut - Bulkhead	19
3	34798	Adapter - Zerk	8
4	34787	Adapter - NPT to JIC	4
5	310472	Hose - Assy 1/8 x 204, to Rear Wheel	6
6	310473	Hose - Assy 1/8 x 186, to Front Wheel	6
7	310474	Hose - Assy 1/8 x 156, to Outer Walking Beam	2
8	310476	Hose - Assy 1/8 x 132, to Hanger	3
9	*310477	Hose - Assy 1/8 x 126, to Inner Walking Beam	2
10	34734	Adapter - Elbow 90°	11
11	34735	Fitting - 4-2 070302	4
12	*99674	Tie - Wire	40

* - Not Shown

Decals



ITEM	PART NO.	DESCRIPTION	QTY
1	305281	Decal - Caution, Braking Requirements	2
2	313858	Decal - Caution, Towing Requirements	1
3	305289	Decal - Caution, Tipping Hazard	1
4	305298	Decal - Caution, Weight Restrictions	1
5	39017	Decal - No Step	1
6	305275	Decal - Trailer Tire Speed	2
7	310450	Decal - Lubrication Chart	2
8	305745	Decal - Notice, Wheel Lug Tightening	4
9	305239	Decal - Grease	2

NOTE: Refer to "Safety Decals" and "Informational Decals" in Safety section of operator's manual for details.