



NL4560 G4 EDGE Part's Manual

UNIT SERIAL NUMBER _____

TR3000 SERIAL NUMBER _____

MANUAL NUMBER: 313794-AB-C

EFFECTIVE 06/2020



1330 76TH AVE SW
CEDAR RAPIDS, IA 52404-7052
PHONE (800) 363-1771 | FAX (319) 286-3350
www.newleader.com

Copyright 2019 Highway Equipment Company, Inc.
Now doing business as New Leader Manufacturing

Interactive Features.....	3
Instructions for Ordering Parts.....	4
Body.....	5
Mounting.....	5
Inverted "V".....	6
Sight Window.....	7
Fenders.....	8
Side Boards.....	9
Inspection Ladder.....	10
Lubrication.....	12
Lighting & Visibility.....	14
Body Hydraulics.....	16
Tractor Hookups.....	16
Main Bin.....	18
Hydraulic Manifold Assembly.....	22
Conveyor.....	24
#4 Belt-Over-Chain Conveyor.....	24
Chain Shields.....	25
Conveyor Idler.....	26
Conveyor Drive.....	27
Gearcase Assembly - Dual Pinion.....	28
Gearcase Service Parts.....	29
Gearcase Breather Tube.....	30
Encoder.....	31
Guard - Front.....	32
Wiper - Front.....	33
Conveyor Chain Oiler.....	34
Decals.....	36
Electronics.....	38
Scale System.....	38
Bin Sensor.....	39
Switch Box & Harness.....	40
Controller Mount.....	41
Enclosure Assembly.....	42
Controller - Main Bin.....	44
Feedgate & Jack Assembly.....	48
Lubrication.....	50
Spinners.....	52
Material Divider.....	52
Anti-Slab.....	53
Spinner Assembly.....	54
Spinner Guards & Deflectors.....	56
Spinner Speed Sensors.....	57
TR3000.....	58
Electrical.....	60
Tongue Assembly.....	62
Wheel End & Tires.....	64
Hydraulic Brakes.....	66
Walking Beam Suspension.....	70
Lubrication.....	71
Decals.....	72

NOTE:

This manual incorporates several interactive features to provide supplemental information and ease of navigation. The information below is to aid in the identification and use of these features.

Hyperlinks

Hyperlinks provide direct access to a specific destination when clicked. The entire Table of Contents of this manual is hyperlinked to provide quick access to all sections of this manual when viewing the electronic version.

Hyperlinks within the content are denoted by **blue, bold underlined text**. Electronic format viewers can click these links for direct access to New Leader online features. Internet access is required.



Order from the **AUTHORIZED DEALER** in your area.

Always give the pertinent model and serial number.

Give part name, part number and the quantity required.

Give the correct address to where the parts are to be shipped, and the carrier if there is a preference.

Unless claims for shortages or errors are made immediately upon receipt of goods they will not be considered. Any part returns should be directed through the dealer from which they were purchased.

When broken goods are received, a full description of the damage should be made by the carrier agent on the freight bill. If this description is insisted upon, full damage can always be collected from the transportation company.

No responsibility is assumed for delay or damage to merchandise while in transit. Our responsibility ceases upon delivery of shipment to the transportation company from whom a receipt is received showing that shipment was in good condition when delivered to them, therefore, claims (if any) should be filed with the transportation company and not with New Leader Manufacturing.

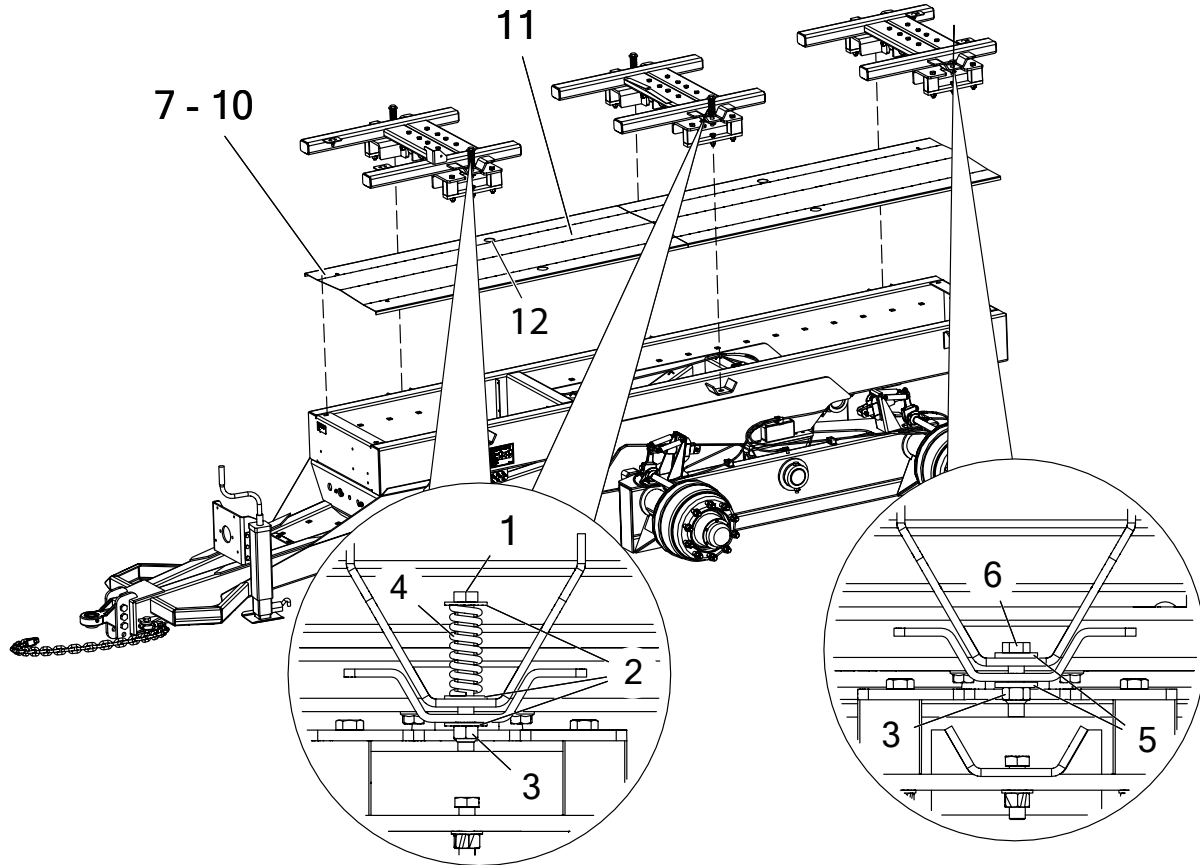
If your claims are not being handled (by the transportation company) to your satisfaction, please call our Product Sales & Support Department at New Leader Manufacturing at 888-363-8006 for assistance.

In the parts list the following symbols and abbreviations stand for:

- * - Not Shown
- AR – As Required
- CS – Carbon Steel
- SS – Stainless Steel
- NS – Not Serviced

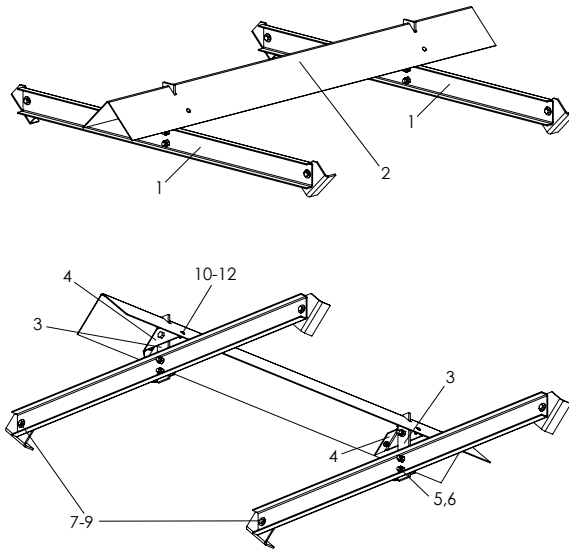
The parts listed under the different steel types (CS, 409 SS and 304 SS) are for that type of unit and do not necessarily mean the part is made of that type of steel.

Mounting



ITEM	PART NO.	DESCRIPTION	QTY
1	58560	Cap Screw - 3/4-10NC x 7	4
2	20698	Washer - Flat 3/4	12
3	20683	Nut - Lock 3/4-10NC	6
4	305220	Spring - Compression	4
5	310487	Washer - Flat .781 x 2 304	4
6	20209	Cap Screw - 3/4-10NC x 3	2
7	36411	Bolt - Carriage 1/2-13NC x 1-1/2 SS	4
8	36426	Washer - Flat 1/2 SS	4
9	36422	Washer - Lock 1/2 SS	4
10	36416	Nut - Hex 1/2-13NC SS	4
11	305222	Panel - Wldmt Underbody 304	2
12	307583	Grommet - Rubber	1

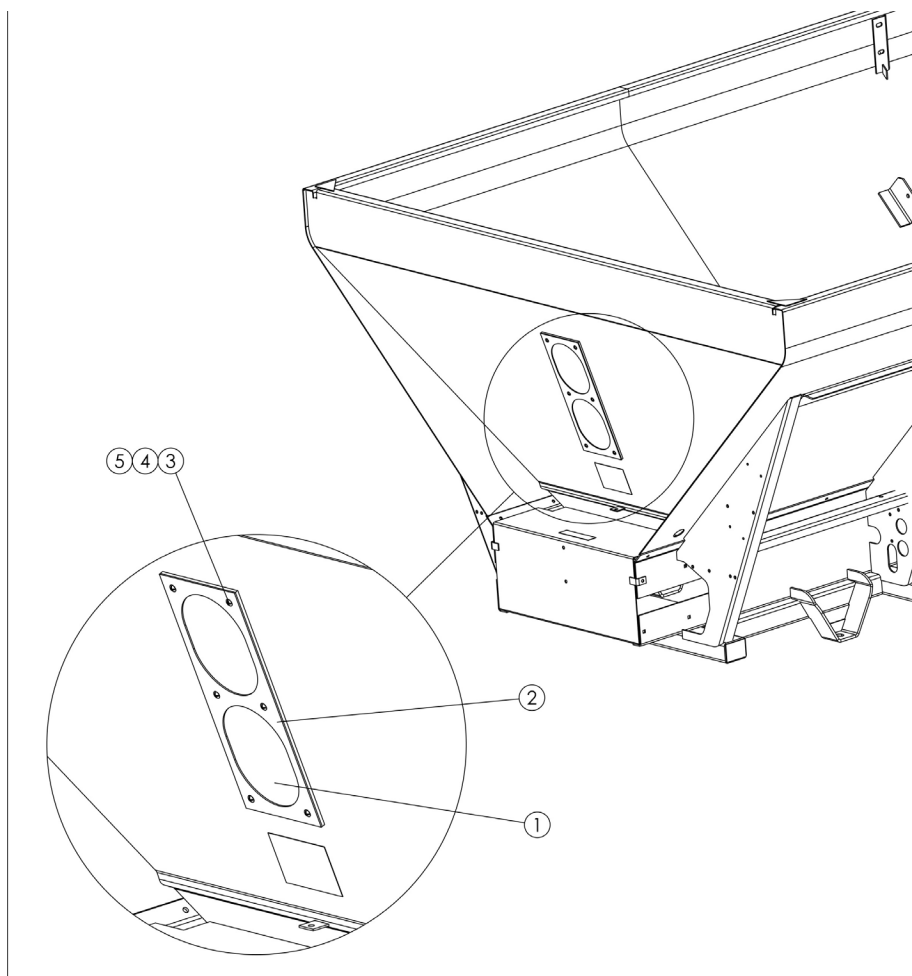
Inverted "V"



ITEM	PART NO.	DESCRIPTION	QTY
1	81263	Hanger – V Wldmt	3
2	82624	Inverted V	1
3	308646	Bar – Adjusting	3
4	302371	Bracket – V Bolt-on	3
5	58800	Cap Screw – 5/8-11NC x 1-3/4 SS	9
6	41762	Nut - Lock 5/8-11NC SS	9
7	36402	Cap Screw - 1/2-13NC x 1-1/4 SS	6
8	36426	Washer - Flat 1/2 SS	6
9	39016	Nut - Lock 1/2-13NC SS	6
10	42639	Bolt - Carriage 5/16-18NC x 1 SS	6
11	36424	Washer - Flat 5/16 SS	6
12	42221	Nut - Lock 5/16-18NC SS	6

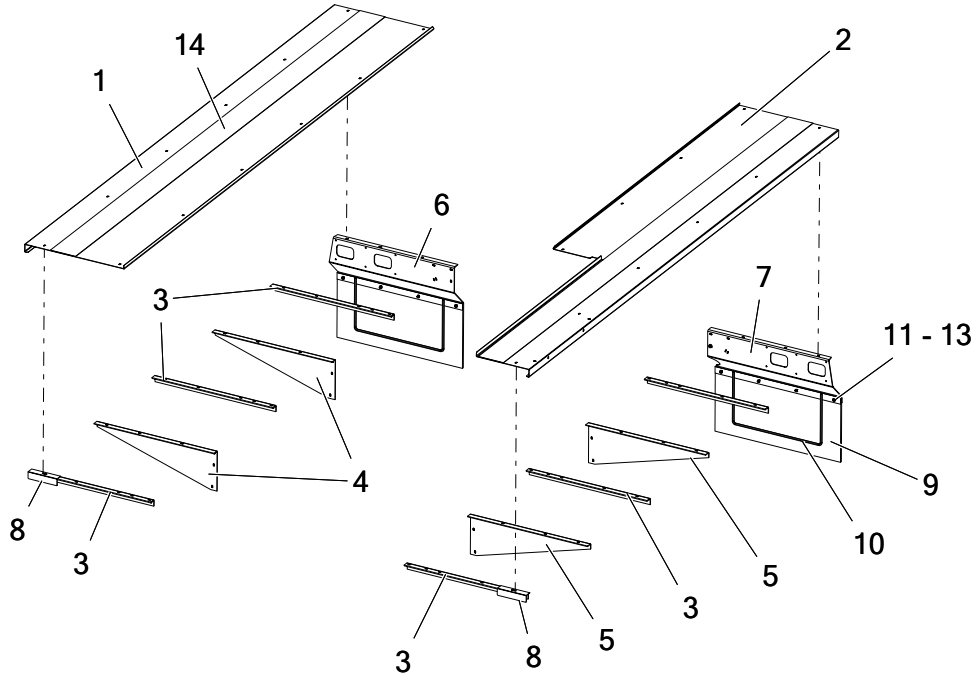
Body

Sight Window



<u>ITEM</u>	<u>PART NO.</u>	<u>DESCRIPTION</u>	<u>QTY</u>
1	305216	Window - Sight 8" X 20" X .25"	1
2	305217	Frame - Sight Window 304	1
3	42033	Screw - Truss Head .25-20NC X	6
4	36412	Nut - Hex .25-20NC SS	6
5	36418	Washer - Lock .25 SS	6

Fenders



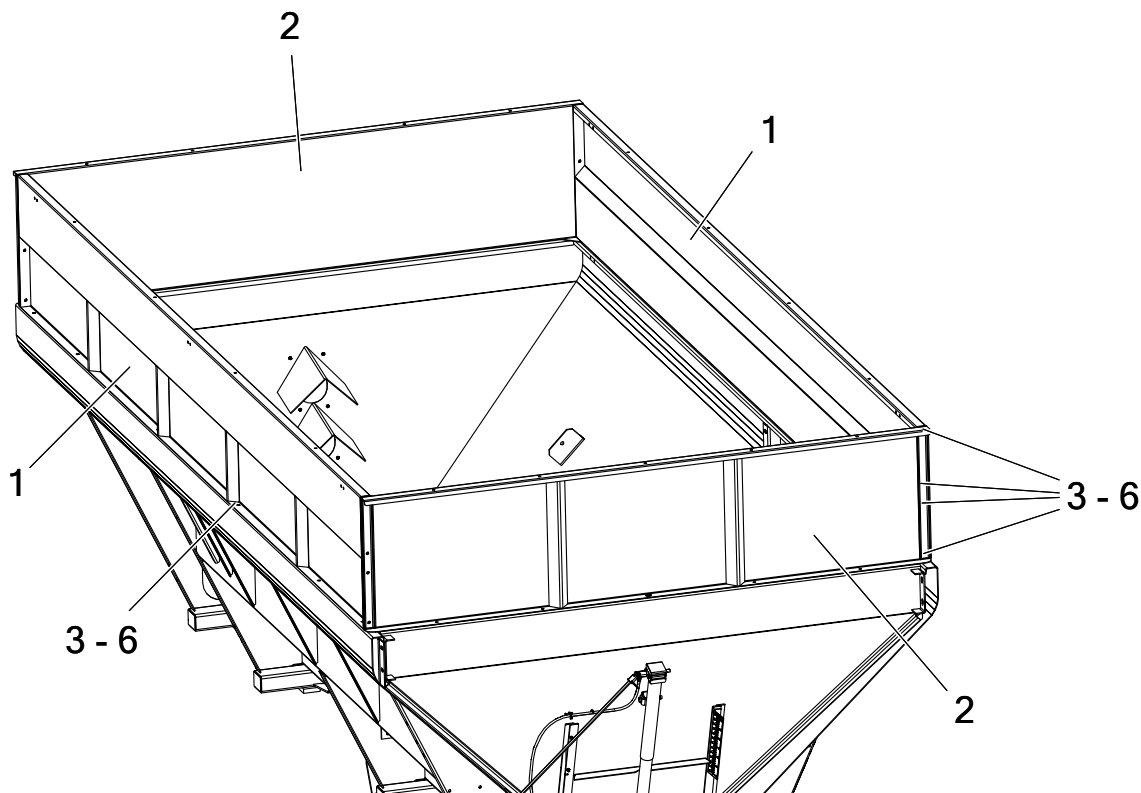
ITEM	PART NO.		DESCRIPTION	QTY
	<u>409 SS</u>	<u>304 SS</u>		
1	312869	312867	Fender - 16' x 32" RH	1
2	313830	313829	Fender - 16' x 32" LH	1
3	96972	96972	Angle - Fender 132" 304	6
4	96970	96970	Support - Fender RH 304	2
5	96971	96971	Support - Fender LH 304	2
6	305210	305210	Support - Rear Fender RH 304	1
7	312870	312870	Support - Rear Fender LH 304	1
8	305276	305276	Angle - Decal Mt	2
9	312874	312874	Mud Flap - 20 x 40	2
10	305425	305425	Anti-Sail - Wldmt Mud Flap	2
11	34858	34858	Cap Screw - 3/8-16NC x 1-1/2 SS	8
12	36420	36420	Washer - Lock 3/8 SS	8
13	36414	36414	Nut - Hex 3/8-16NC SS	8
14	21699	21699	Skid Fabric - 8"	AR

AR – As Required * - Not Shown



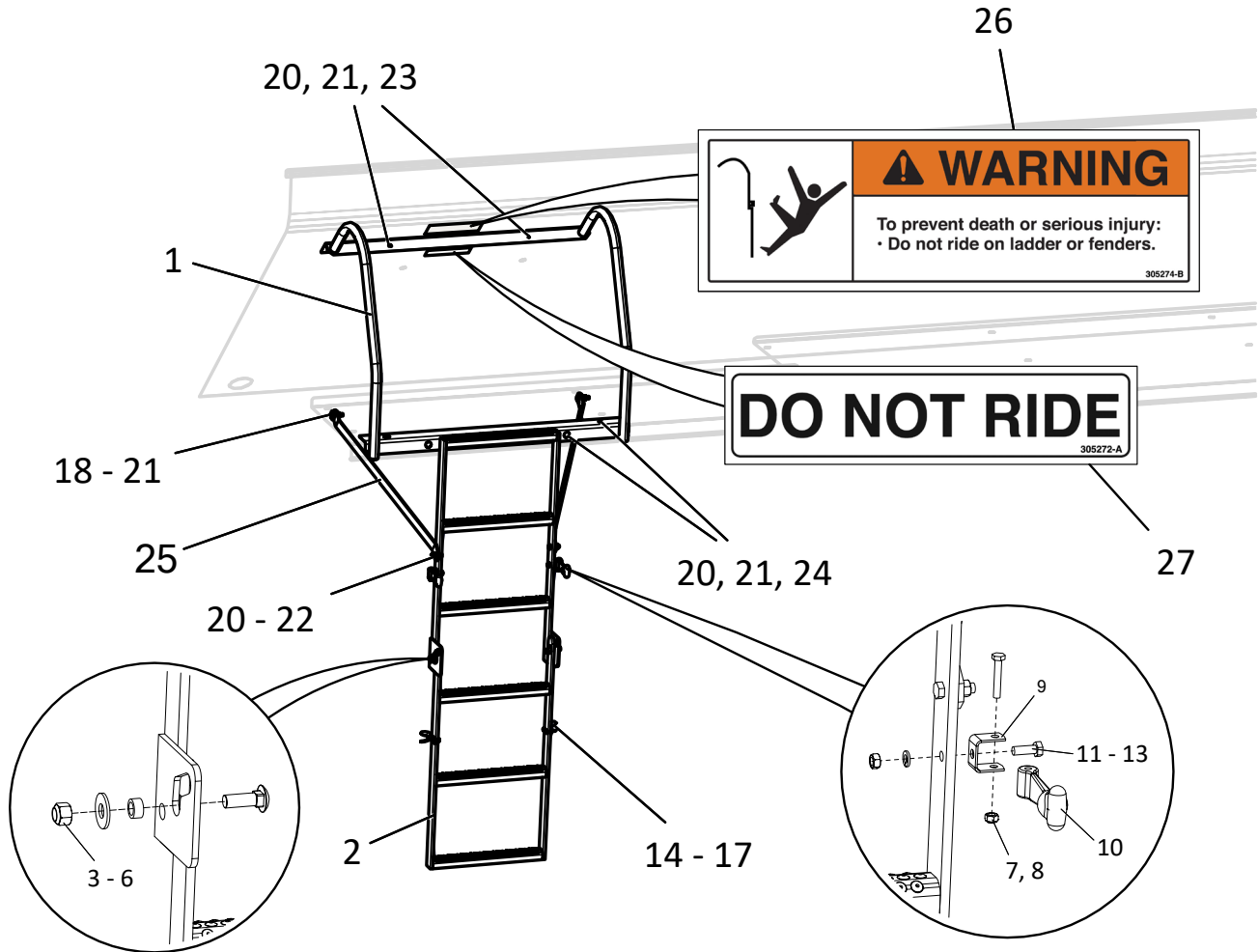
Body

Side Boards



<u>ITEM</u>	<u>PART NO.</u>	<u>DESCRIPTION</u>	<u>QTY</u>
	313826	Kit - Hardware Side Boards, Includes Items 3 - 6	
1	313818	Side Board - Wldmt Side 304	2
2	313819	Side Board - Wldmt End 304	2
3	71772	Screw - Button Head 3/8-16NC x 1-1/4 SS	38
4	36425	Washer - Flat 3/8 SS	38
5	36420	Washer - Lock 3/8 SS	38
6	36414	Nut - Hex 3/8-16NC SS	38

Inspection Ladder



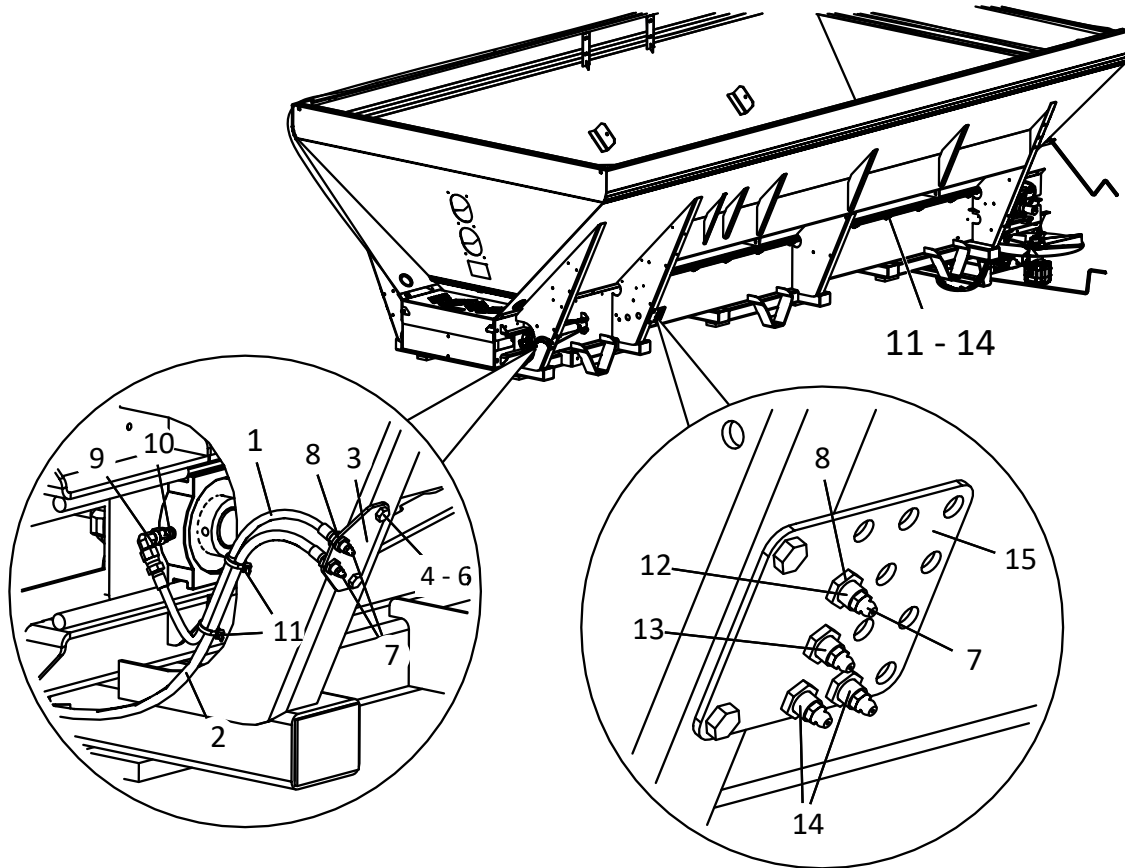
Body

Inspection Ladder Cont.

ITEM	PART NO.	DESCRIPTION	QTY
	306112	Ladder - Kit, Includes Items 1 - 27	1
	306113	Ladder - Assy Folding, Includes Items 1 - 17	1
1	306115	Ladder - Wldmt Upper	1
2	89044	Ladder - Wldmt Insp Lower CS	1
3	20680	Nut - Lock 1/2-13NC	2
4	20695	Washer - Flat 1/2	2
5	88638	Spacer - Bushing	2
6	20366	Bolt - Carriage 1/2-13NC x 1-1/2	2
7	20007	Cap Screw - 1/4-20NC x 1-1/2 G5	2
8	20676	Nut - Lock 1/4-20NC	2
9	73344	Bracket - Anchor	2
10	73343	Hook - Rubber	2
11	20035	Cap Screw - 5/16-18NC x 7/8	2
12	20711	Washer - Lock 5/16	2
13	20643	Nut - HEx 5/16-18NC	2
14	150043	Bracket - Hood	2
15	20572	Screw - #10-24 x 3/4	4
16	20709	Washer - Lock #10	4
17	20641	Nut - Hex #10-24	4
18	34858	Cap Screw - 3/8-16NC x 1-1/2 SS	2
19	36425	Washer - Flat 3/8 SS	2
20	36420	Washer - Lock 3/8 SS	10
21	36414	Nut - Hex 3/8-16NC SS	10
22	36399	Cap Screw - 3/8-16NC x 1-1/4 SS	2
23	36398	Cap Screw - 3/8-16NC x 1 SS	2
24	36408	Bolt - Carriage 3/8-16NC x 1 SS	4
25	305792	Strap - Support Ladder	2
26	305274	Decal - Warning, Do Not Ride	1
27	305272	Decal - Do Not Ride	1

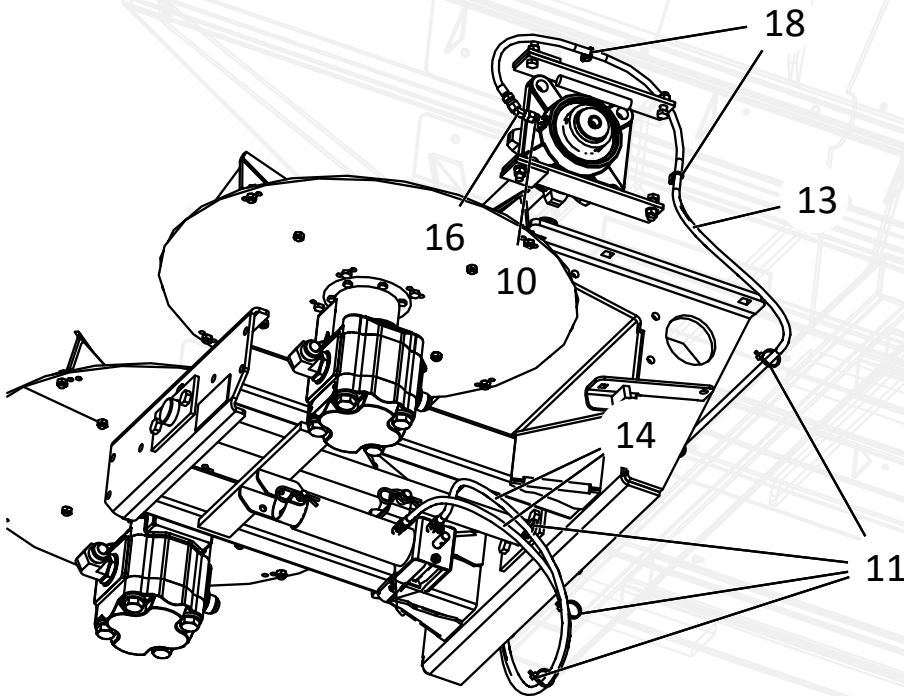
AR - As Required

Lubrication



FRONT BANK

REAR BANK

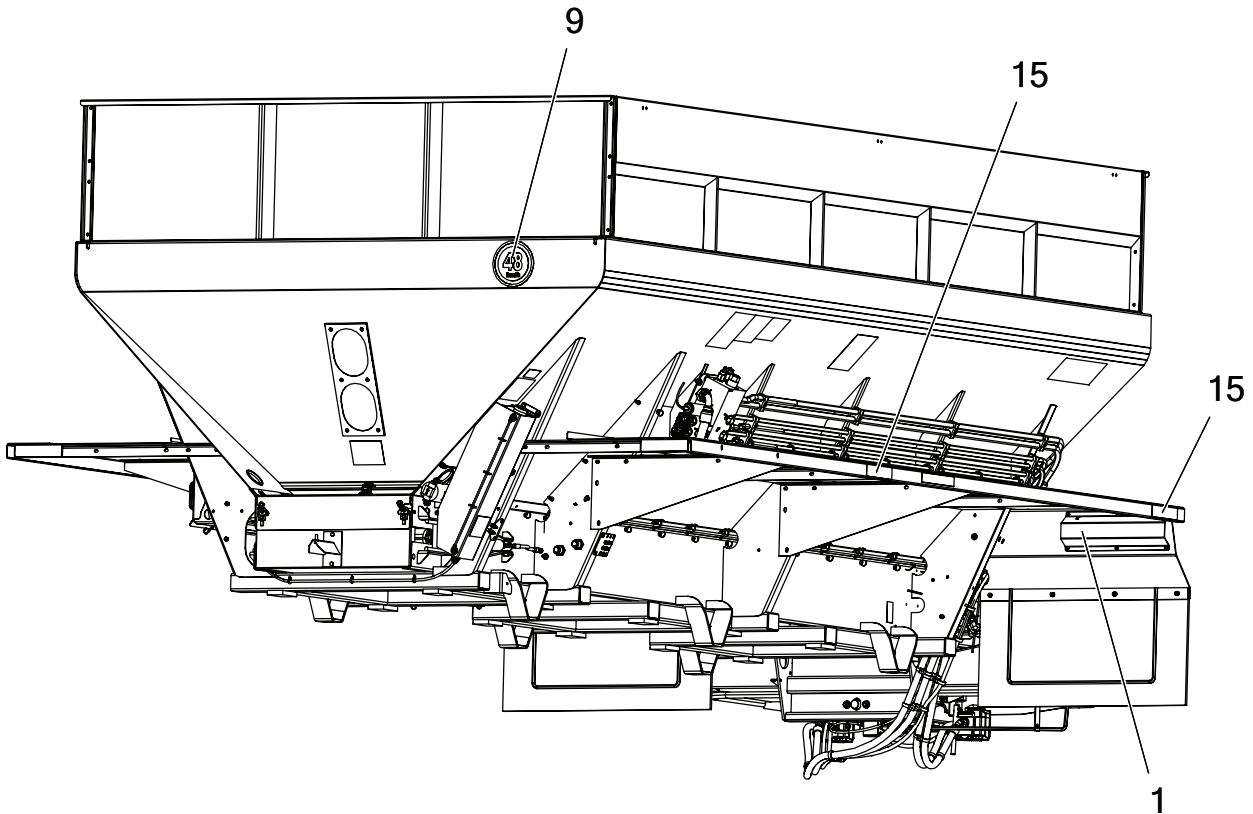
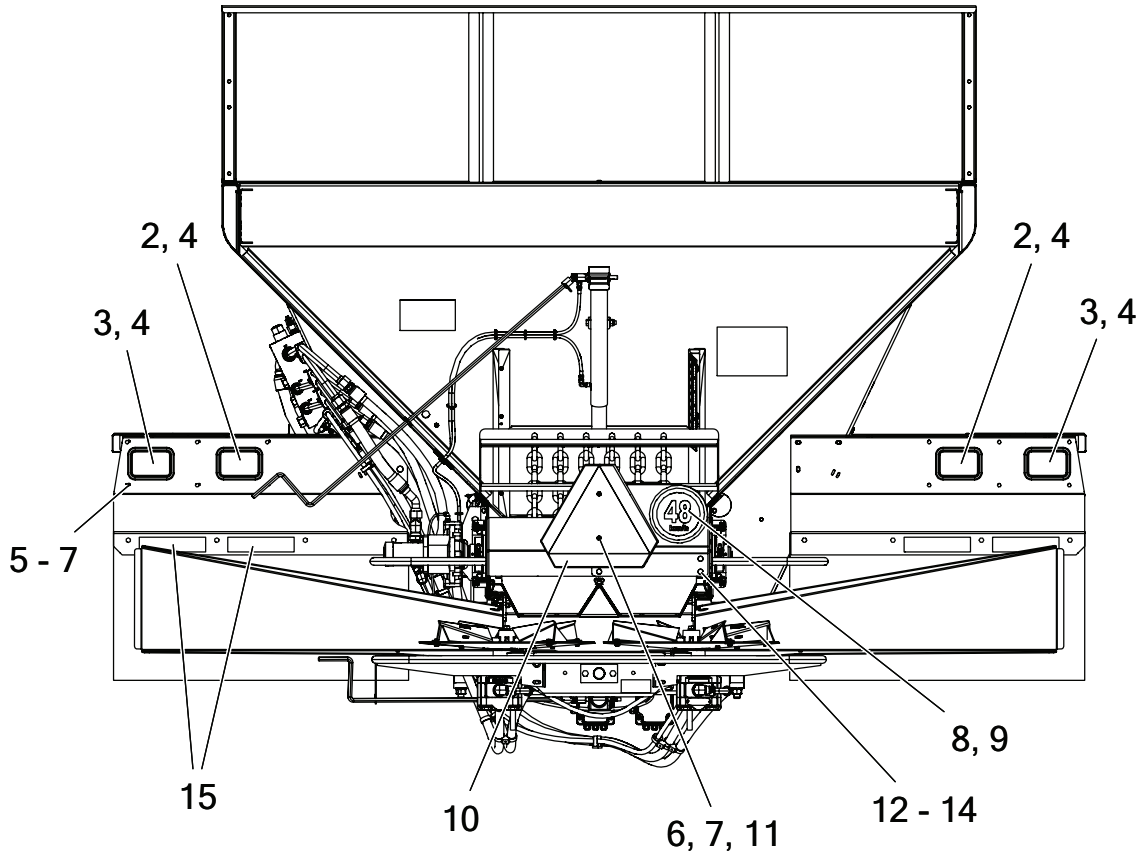


Body**Lubrication Cont.**

ITEM	PART NO.	DESCRIPTION	QTY
1	311327	Hose - Assy LH Front Idler Bearing	1
2	311326	Hose - Assy RH Front Idler Bearing	1
3	314681	Plate - Grease Bank Front	1
4	56858	Cap Screw - 5/16-18NC x 3/4 SS	4
5	36419	Washer - Lock 5/16 SS	4
6	36413	Nut - Hex 5/16-18NC SS	4
7	311663	Zerk - Grease 1/4-28 Straight SS	5
8	310471	Nut - Bulkhead 1/8-27	5
9	34868	Fitting - 4-4 070221	2
10	34787	Fitting - 4-2 070102	4
11	99674	Tie - Wire	AR
12	313036	Hose - Assy LH Rear Drive Bearing	1
13	313038	Hose - Assy RH Rear Drive Bearing	1
14	313037	Hose - Assy Spinner Jack	2
15	314682	Plate - Grease Bank Rear	1
16	313501	Fitting - 4-4 070321	2
17		NOT USED	
18	311806	Tie - Wire Fir Tree	AR
19	313047	Mount - Cable Tie 3/8 Fasten to unit using chain shield hardware	12
20	*313814	Decal - Lubrication Chart Front	1
21	*314683	Decal - Lubrication Chart Rear	1

* - Not Shown

Lighting & Visibility

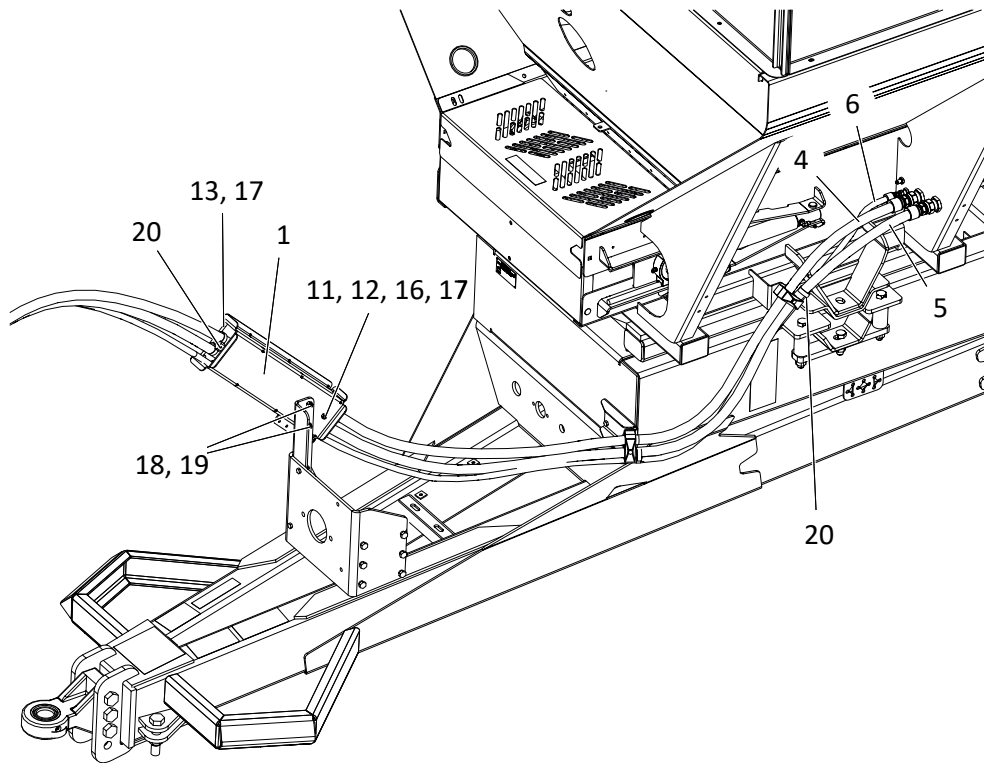
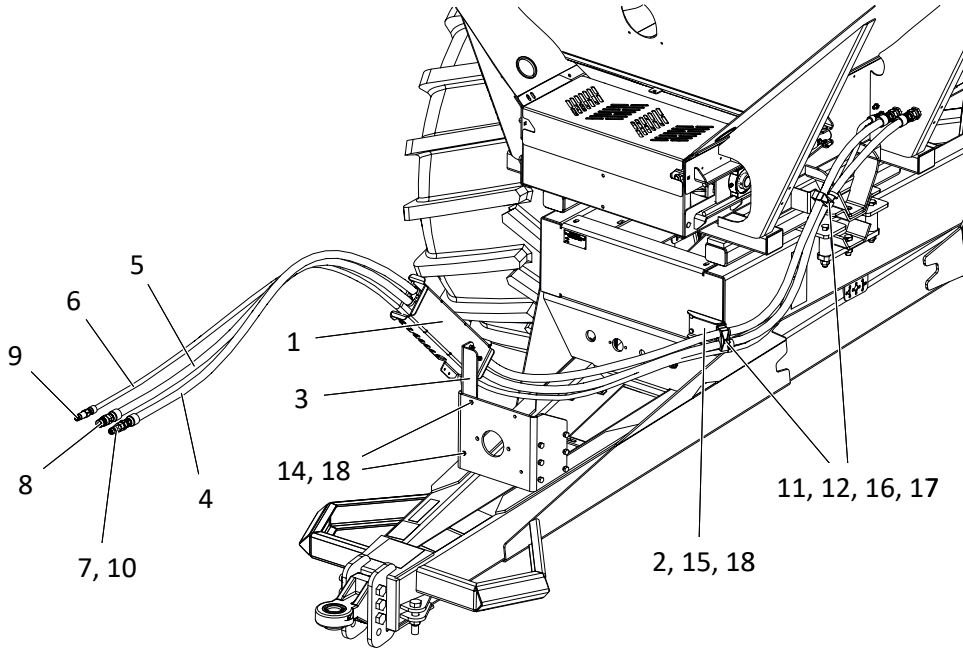


Body**Lighting & Visibility Cont.**

<u>ITEM</u>	<u>PART NO.</u>	<u>DESCRIPTION</u>	<u>QTY</u>
1	305213	Guard - Tail Light 304	2
2	300150	Light - SST Red	2
3	304715	Light - Super 45 Yellow	2
4	304704	Grommet - Super 45	4
5	36393	Cap Screw - 1/4-20 NC x 3/4 SS	12
6	36418	Washer - Lock 1/4 SS	14
7	36412	Nut - Hex 1/4-20 NC SS	14
8	305711	Plate - SMV Mounting	1
9	313835	Decal - 48 km/h	2
10	305229	Sign - SMV	1
11	32446	Screw - Truss Head 1/4-20 x 3/4 SS	2
12	42639	Bolt - Carriage 5/16-18 NC x 1 SS	4
13	36419	Washer - Lock 5/16 SS	4
14	36413	Nut - Hex 5/16-18 NC SS	4
15	305186	Kit - Reflective Farm Implement	1
16	*305414-AB	Harness - LH Tail Lights TR3000	1
17	*305414-AC	Harness - RH Tail Lights TR3000	1
18	*99674	Tie - Wire 8"	6

* Not Shown

Tractor Hookups

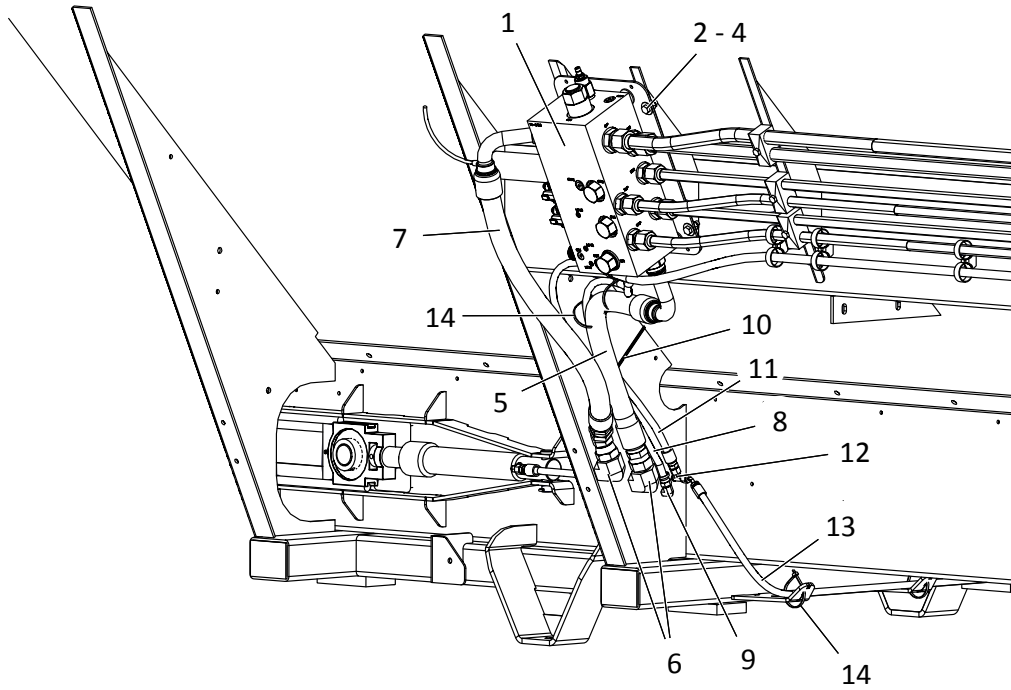


Body Hydraulics**Tractor Hookups Cont.**

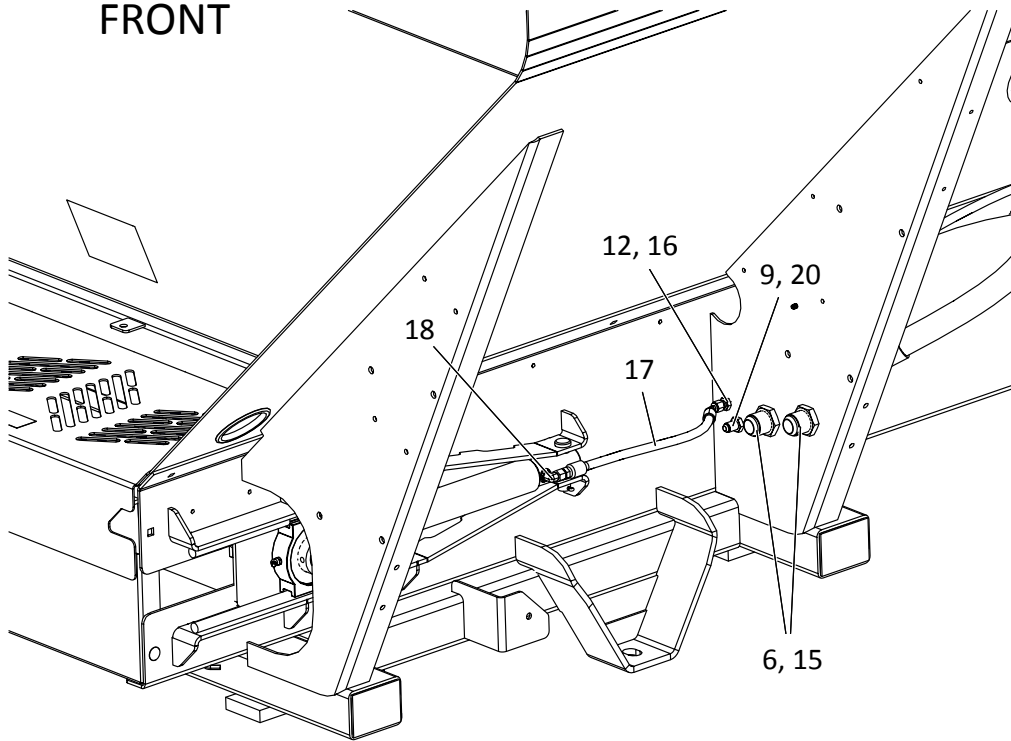
ITEM	PART NO.	DESCRIPTION	QTY
1	313843	Channel - Hose Guide	
2	313844	Bracket - Hose Clamp	1
3	312885	Angle - Upright	1
4	313845	Hose - Assy SAE 12 x 180 100R12	1
5	313846	Hose - Assy SAE 12 x 180 100R1	1
6	313847	Hose - Assy SAE 6 x 180 100R1	1
7	305262	Nipple - QD 1/2 AG, 8 ORB	1
8	309294	Disconnect - Quick 12 Male	1
9	309295	Disconnect - Quick 6 Male	1
10	34811	Fitting - 12-8 070120	1
11	305266	Clamp - Hose 1.18 Double	3
12	305267	Plate - Cover Hose Clamp 304	3
13	20056	Cap Screw - 5/16-18NC x 6	2
14	20068	Cap Screw - 3/8-16NC x 1-1/4	2
15	20067	Cap Screw - 3/8-16NC x 1	2
16	20042	Cap Screw - 5/16-18NC x 2-1/2	3
17	20677	Nut - Lock 5/16-18NC	5
18	20678	Nut - Lock 3/8-16NC	7
19	20318	Bolt - Carriage 3/8-16NC x 1	3
20	310648	Tie - Dual Clamp	AR

AR - As Required

Main Bin

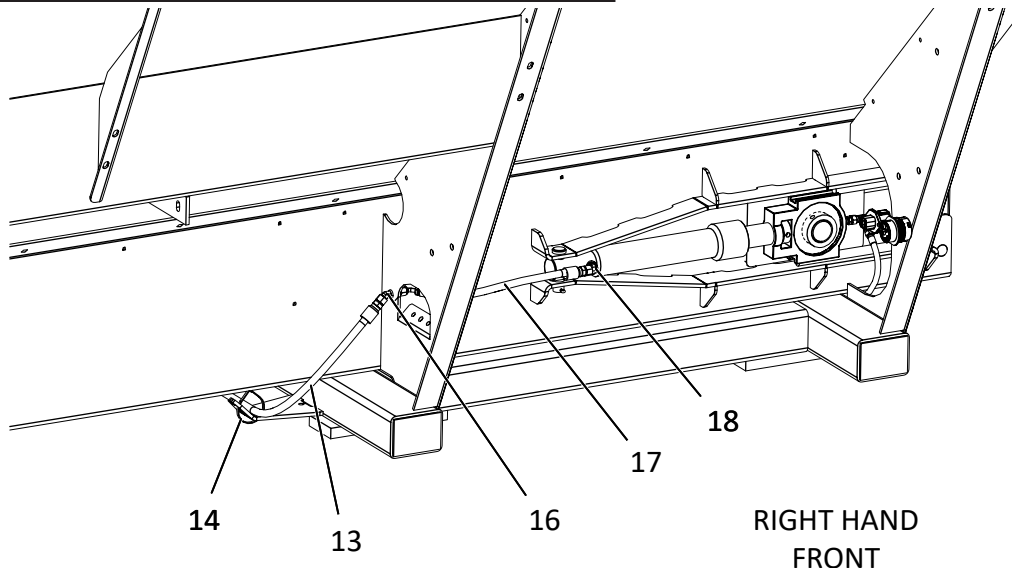


LEFT HAND FRONT



Body Hydraulics

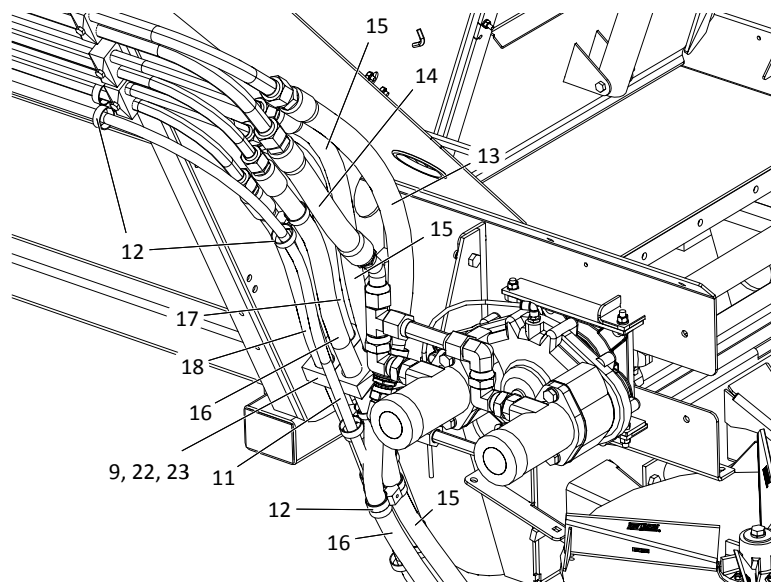
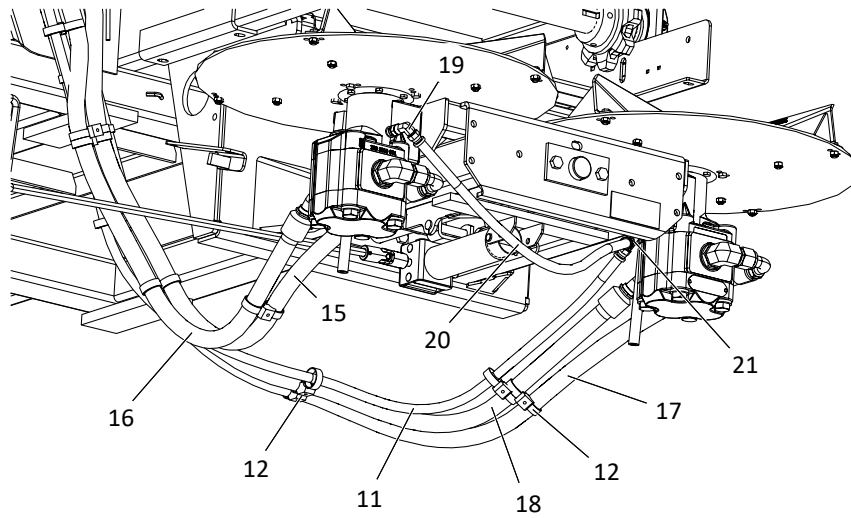
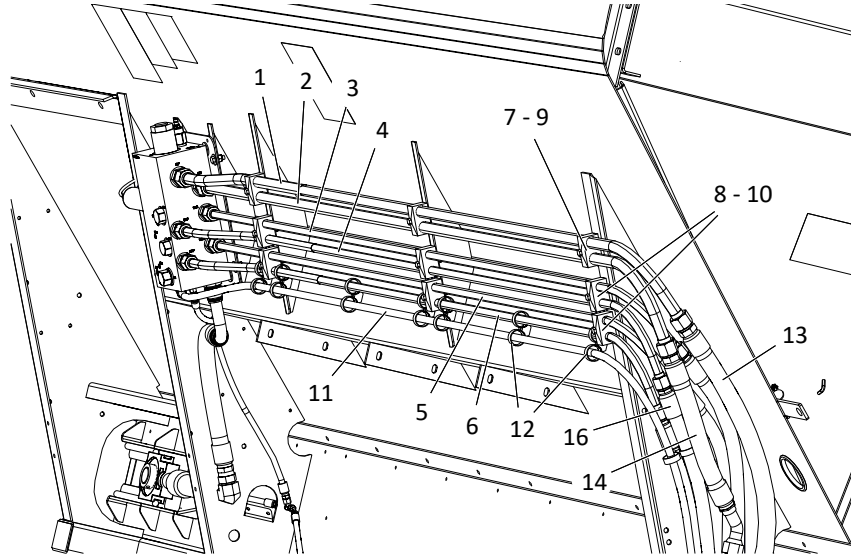
Main Bin Cont.



<u>ITEM</u>	<u>PART NO.</u>	<u>DESCRIPTION</u>	<u>QTY</u>
1	312467	Valve - Mounting Assy 30 GPM See "Valve Assembly" parts page for details.	1
2	36398	Cap Screw - 3/8-16NC x 1 SS	4
3	36425	Washer - Flat 3/8 SS	4
4	72054	Nut - Lock 3/8-16NC SS	4
5	311717	Hose - Assy SAE 16 x 28.88 100R2	1
6	306040	Fitting - 16-16 070701	2
7	313841	Hose - Assy SAE 16 x 33 100R12	1
8	313840	Hose - Assy SAE 6 x 34	1
9	29819	Fitting - 6-6 070701	1
10	311806	Tie - Wire Fir Tree	AR
11	311708	Hose - Assy SAE 4 x 36.63 100R1	1
12	311487	Fitting - 4-4-4 070958	1
13	311709	Hose - Assy SAE 4 x 52.25100R1	1
14	99674	Tie - Wire	5
15	306041	Fitting - Nut 16 Bulkhead 070118	2
16	311489	Fitting - Nut 4 Bulkhead 070118	2
17	311707	Hose - Assy SAE 4 x 14.5 100R1	2
18	29795	Fitting - 4-4 070220	2

AR - As Required

Main Bin Cont.

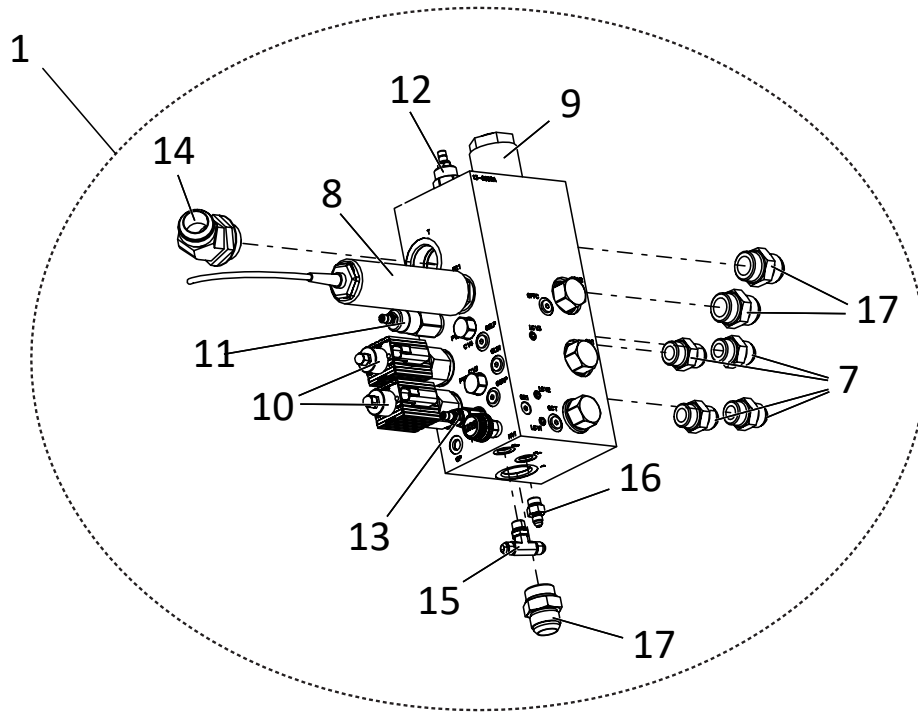
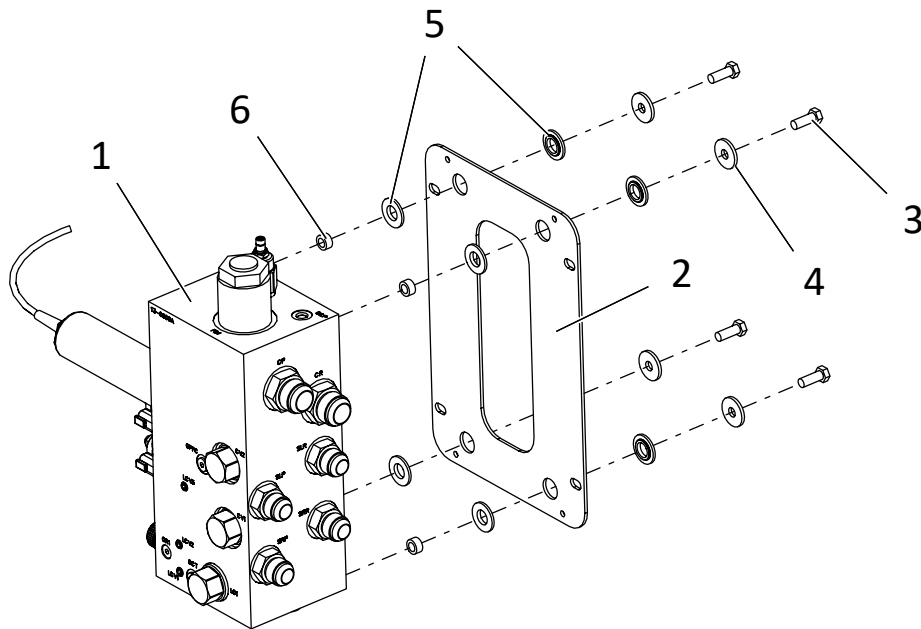


Body Hydraulics**Main Bin Cont.**

ITEM	PART NO.	DESCRIPTION	QTY
1	311763	Tube - Assy 1.0 OD 304	1
2	311762	Tube - Assy 1.0 OD 304	1
3	311761	Tube - Assy .75 OD 304	1
4	311760	Tube - Assy .75 OD 304	1
5	311759	Tube - Assy .75 OD 304	1
6	311758	Tube - Assy .75 OD 304	1
7	300033	Clamp - Tubing Twin 1	4
8	71830	Cap Screw - 5/16-18NC x 2-1/2 SS	12
9	42221	Nut - Lock 5/16-18NC SS	13
10	75036	Clamp - Tubing Twin 3/4	8
11	311715	Hose - Assy SAE 6 x 213	1
12	310648	Tie - Dual Clamp	AR
13	313839	Hose - Assy SAE 12 x 32 100R2	1
14	311703	Hose - Assy SAE 16 x 19 100R1	1
15	311702	Hose - Assy SAE 12 x 73.25 100R2	1
16	311700	Hose - Assy SAE 12 x 62.38 100R2	1
17	311701	Hose - Assy SAE 12 x 92 100R2	1
18	311699	Hose - Assy SAE 12 x 78.75 100R2	1
19	34816	Fitting - 6-6 070221	1
20	311705	Hose - Assy SAE 6 x 28.5	1
21	98724	Fitting - 6-6-6 070432	1
22	305928	Clamp - Tubing Twin 1-1/4	2
23	311665	Cap Screw - 5/16-18NC x 5 SS	1

AR - As Required

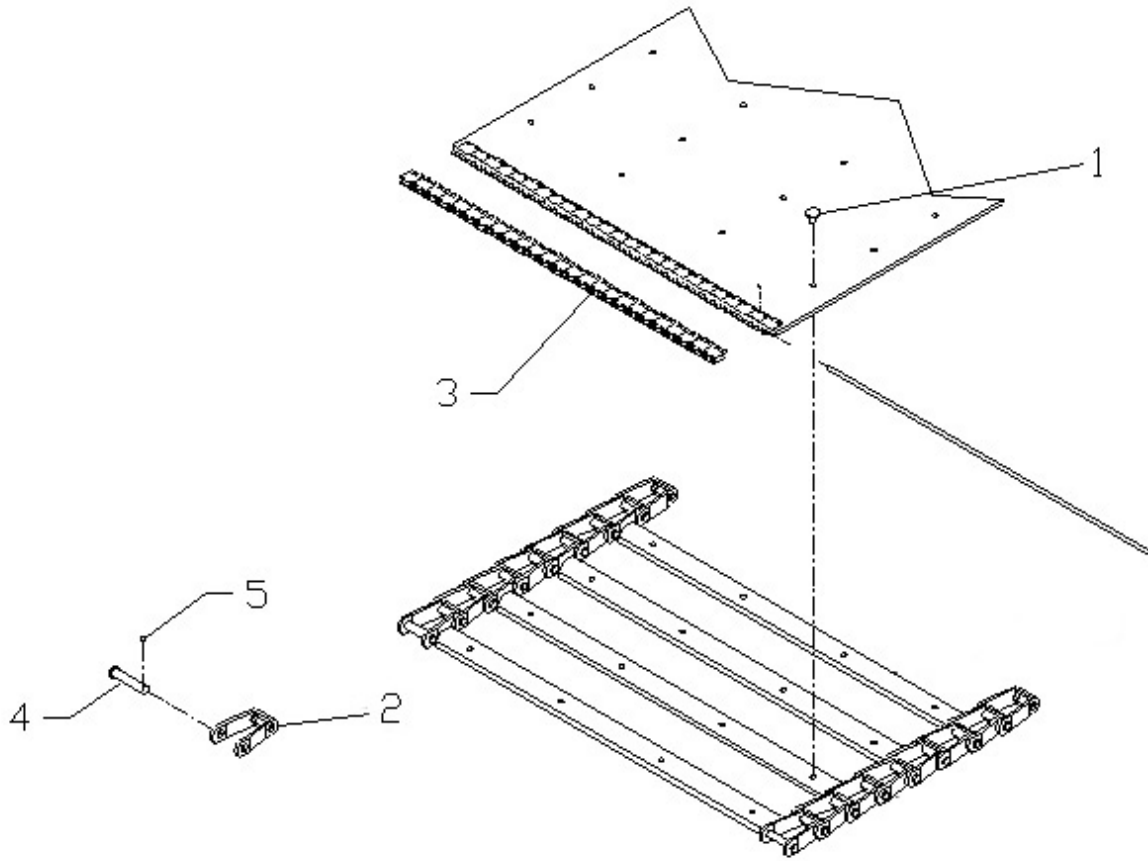
Hydraulic Manifold Assembly



Body Hydraulics**Hydraulic Manifold Assembly Cont.**

<u>ITEM</u>	<u>PART NO.</u>	<u>DESCRIPTION</u>	<u>QTY</u>
	312467	Valve - Mounting Assy 30 GPM, Includes Items 1 - 18	1
1	317361	Valve - Assy 30 GPM, Includes Items 7 - 17	1
2	311790	Plate - Valve Mount 304	1
3	36398	Cap Screw - 3/8-16NC x 1 SS	4
4	311798	Washer - Special	4
5	311664	Washer - Step Poly	8
6	88050	Spacer	4
7	29789	Fitting - 12-12 070120	4
8	306279	Valve - Flow Control 25 GPM SFP	1
9	311930-AA	Valve - Compensator 33 GPM SFP	1
10	317358 317359	Valve - PWM Flow Control 20 GPM, Includes Coil Coil - Proportion 10VDC	2 2
11	311515-AD	Valve - Relief Soft Start	1
12	311515-AE	Valve - Relief	1
13	311515-AF	Valve - Pressure Reducing / Relieving	1
14	312469	Fitting - 16-20 070320	1
15	311482	Fitting - 6-6-6 070429	1
16	311480	Fitting - 4-6 070120	1
17	29803	Fitting - 16-16 070120	3

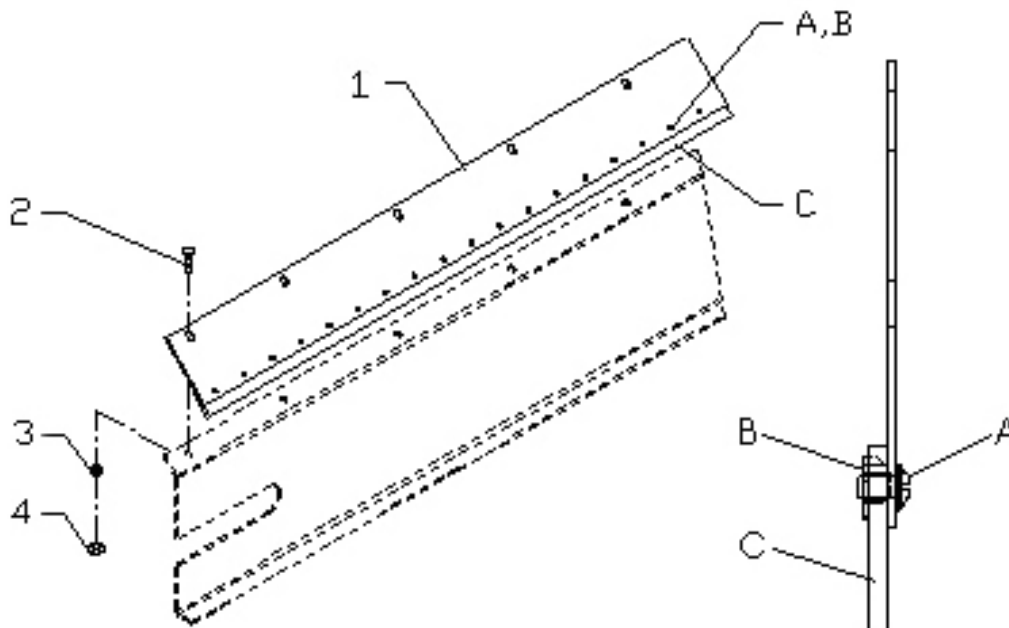
#4 Belt-Over-Chain Conveyor



<u>ITEM</u>	<u>PART NO.</u>	<u>DESCRIPTION</u>	<u>QTY</u>
	311465-AE	Belt-Over-Chain - #4 16' MOR	1
1	305646	Screw - #4BOC 1/4 x 9/16 torx Flat Head	AR
2	310295	Crossbar - Wldmt w/ Links, Includes Items 4 & 5	AR
3	73317	Kit - Splicer	1
		Lacing Strips 23"	2
	56405	Pin - Connecting	1
		Staples	AR
4	36697	Pin - Pintle Chain	AR
5	20817	Pin - Cotter	AR
6	36699	Link - Pintle Chain	AR

Conveyor

Chain Shields

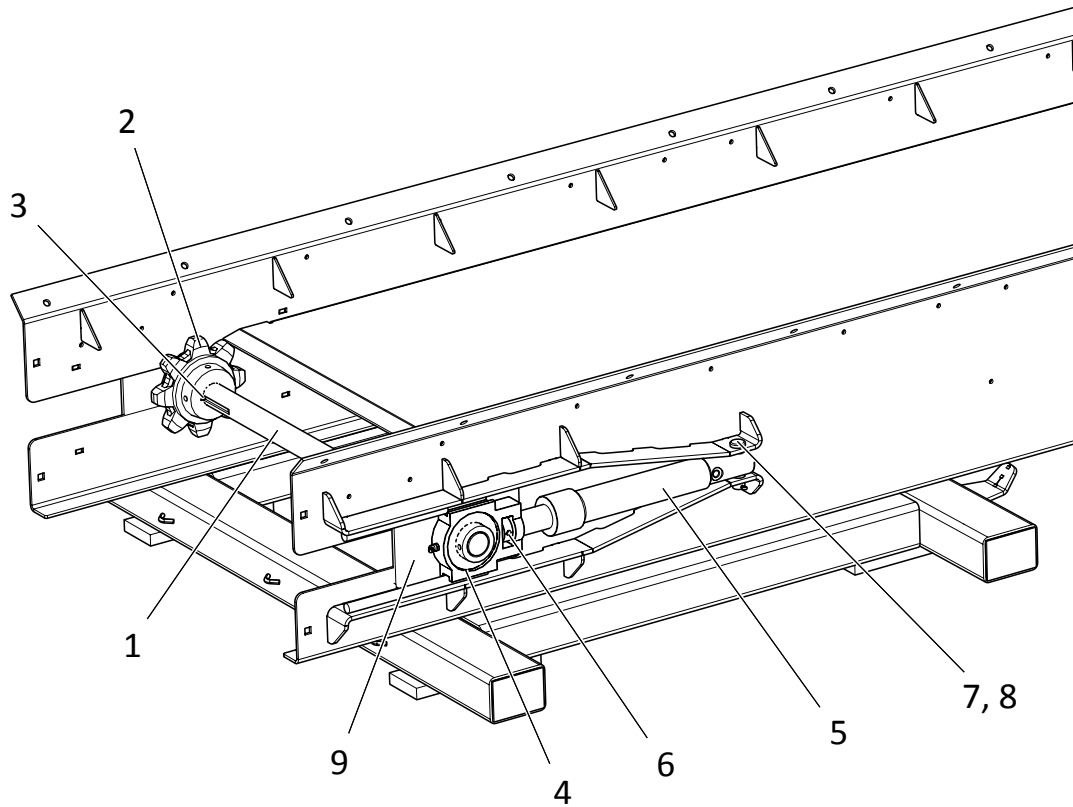


<u>ITEM</u>	<u>PART NO.</u>	<u>DESCRIPTION</u>	<u>QTY</u>
	304 SS		
1	97857	Chain Shield – #4 Chain	2
A	56258	Screw – Truss Head 1/4 x 1/2	AR
B	88931	Nut – Tee 1/4 x 1/4	AR
C	305975	Sealer - Belt, #4 BOC Shield	AR
2	71829	Screw – Truss Head 3/8 x 1 SS	24
	*98321	Screw – Truss Head 3/8 x 1-1/4 SS	12
3	36420	Washer – Lock 3/8	36
4	36414	Nut – Hex 3/8	36
5	*313047	Mount - Cable Tie 3/8	12

* - Not Shown AR - As Required

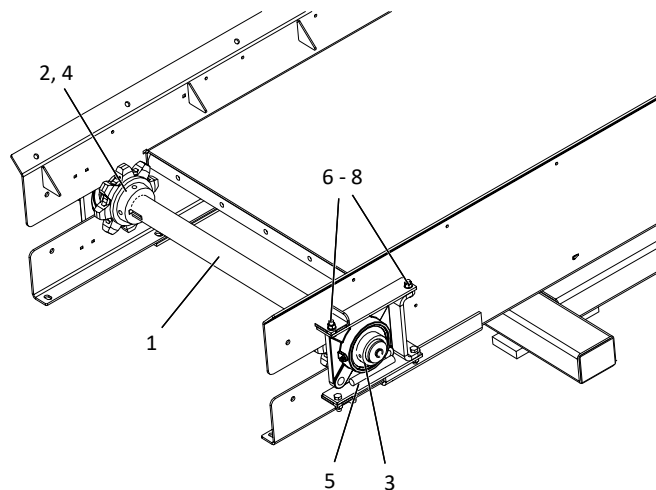
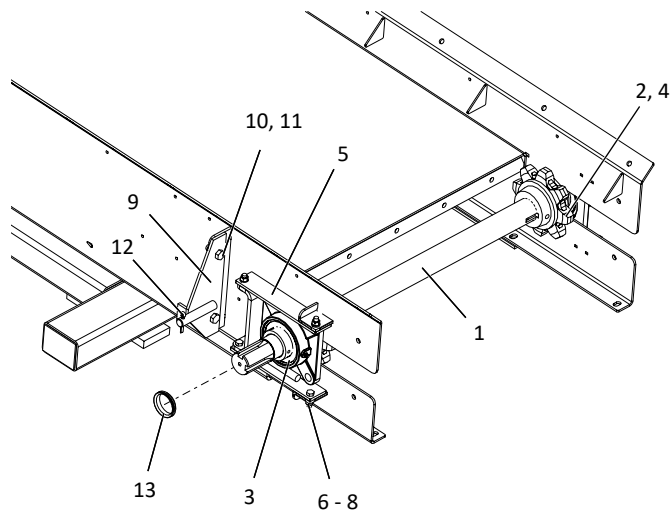
Conveyor Conveyor Idler

NL4560



ITEM	PART NO.	DESCRIPTION	QTY
	97053	Shaft - Idler Assembly, Includes Items 1 - 4	1
1	82799	Shaft - Idler	1
2	97051	Sprocket - Idler	2
3	2135	Key - Square 5/16 x 2-1/2	2
4	22511	Bearing - Take-up	2
5	311359	Cylinder - Ram 1-1/2 x 8"	2
	312938	Kit - Seal, Snap-in Rod Wiper	1
	312939	Kit - Seal, Press-in Rod Wiper	1
6	2696	Collar - Set 1"	2
7	89630	Pin - Clevis 3/4 x 2-3/4	2
8	20822	Pin - Cotter	2
9	311670	Plate - Cover	2

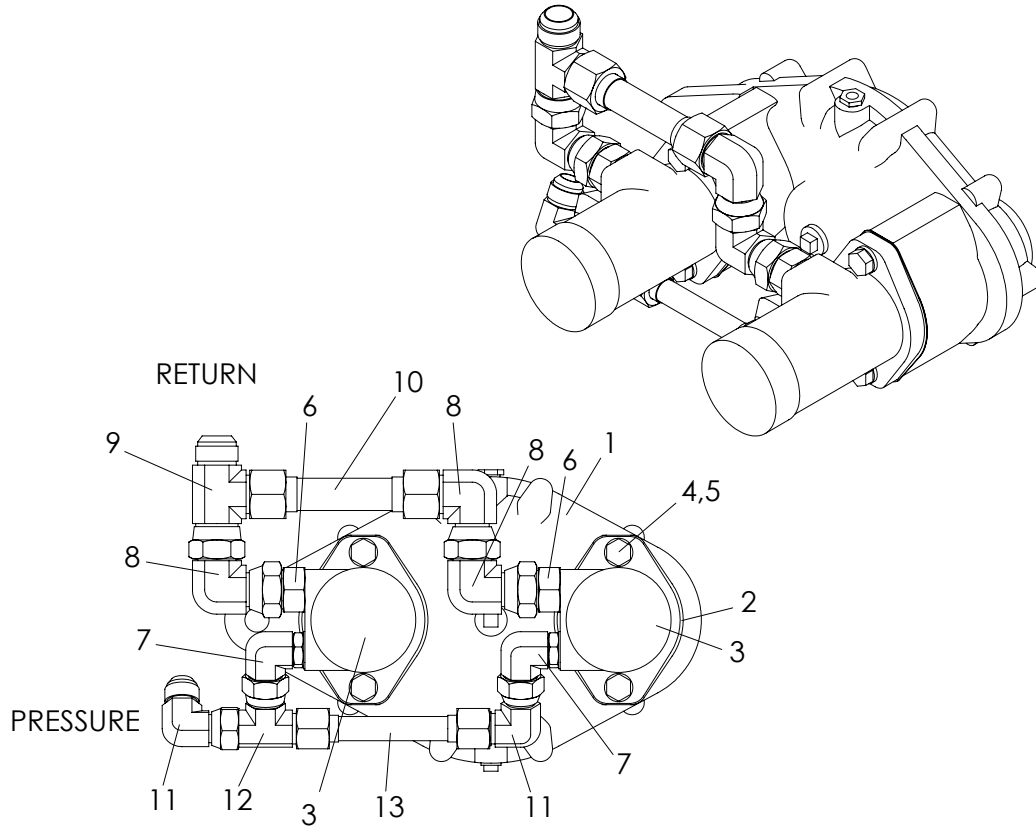
Conveyor Conveyor Drive



ITEM	PART NO.	DESCRIPTION	QTY
	97052	Shaft - Drive Assy, Includes Items 1 - 4	
1	310606	Shaft - Drive	1
2	88276	Sprocket	2
	20743	Screw - Set 5/16 x 3/8	1
3	6465	Bearing	2
4	6131	Key - Square 3/8 x 1 1/2	2
5	82885	Guide - Bearing	4
6	36399	Cap Screw - 3/8 x 1 1/4	8
7	36420	Washer - Lock 3/8	8
8	36414	Nut - Hex 3/8	8
9	82552	Bracket - Torque Arm LH	1
10	20128	Cap Screw - 1/2 x 1 1/4	2
11	20680	Nut - Lock 1/2	2
12	20833	Pin - Cotter 1/4 x 1 1/2	1
13	311172	V-Ring Seal	1

* Not Shown

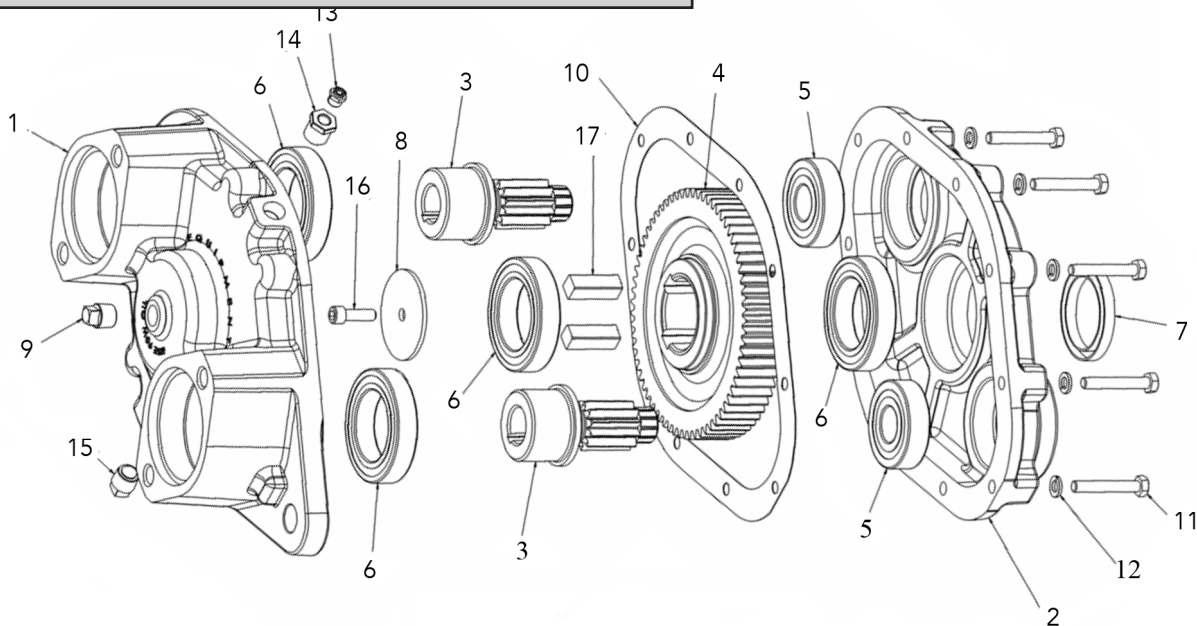
Gearcase Assembly - Dual Pinion



ITEM	PART NO.	DESCRIPTION	QTY
	313837	Gearcase - Assy Dual 11.3 CID, Includes Items 1 - 13	1
1	37985	Gearcase 6:1	1
2	74524	Gasket - SAE 101-2 (B)	2
3	55970	Motor - Hydraulic 11.3 CID	2
4	20714	Washer - Lock 1/2	4
5	20129	Cap Screw - 1/2-13NC x 1-1/2	4
6	29778	Fitting - 16-10 070120	2
7	29773	Fitting - 12-10 070220	2
8	29807	Fitting - 16-16 070221	3
9	29850	Fitting - 16-16-16 070432	1
10	80888	Tube - 1 OD x 4-5/8 Assy	1
11	34709	Fitting - 12-12 070221	2
12	29809	Fitting - 12-12-12 070433	1
13	80886	Tube - 3/4 OD x 4-7/8 Assy	1

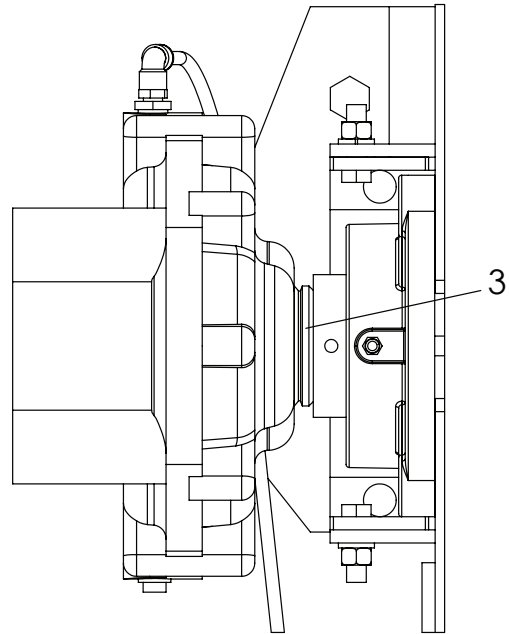
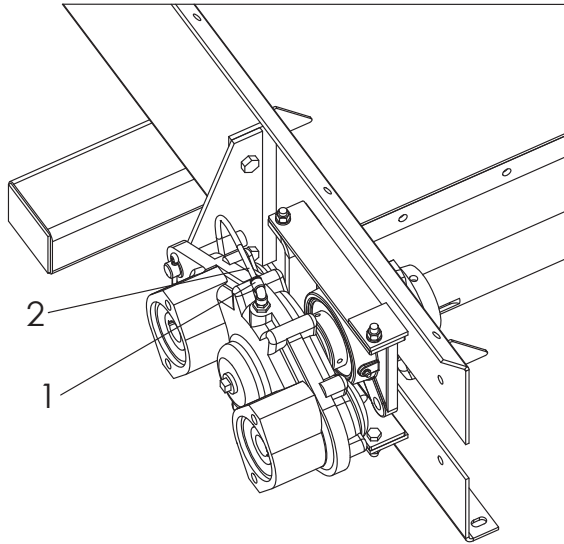
Conveyor

Gearcase Service Parts



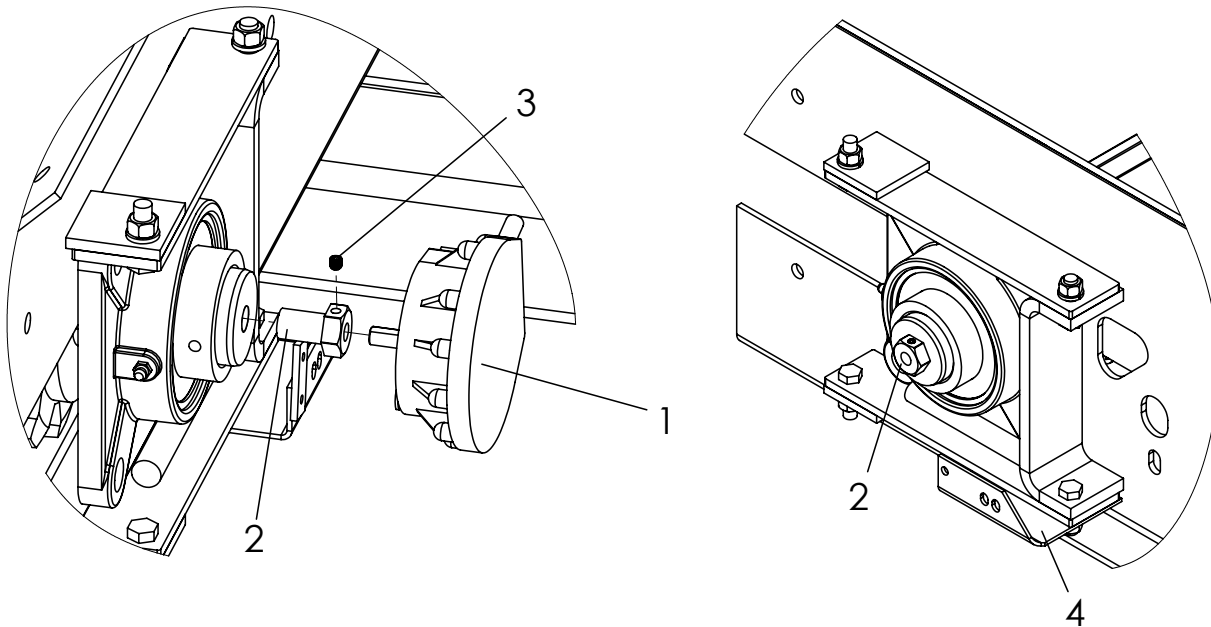
ITEM	PART NO.	DESCRIPTION	QTY
	37985	Gearcase - Assy Dual Pinion 6:1	1
1	304557	Housing – Outboard	1
2	304558	Housing – Inboard	1
3	304561	Gear – Pinion 11 Tooth	2
4	304562	Gear – Driven 67 Tooth	1
5	37007	Bearing	2
6	37008	Bearing	4
7	37006	Seal – Oil	1
8	38979	Washer – Flat 2-1/2 x 11/32	1
9	6031	Plug – Pipe	1
10	304564	Gasket – Housing	1
11	20040	Cap Screw – 5/16NC x 2	10
12	20711	Washer – Lock 5/16	10
13	2564	Cap – Breather	1
14	27465	Bushing – Pipe 1/8 x 3/8	1
15	21490	Plug – Pipe Magnetic	1
16	38980	Screw – Allen Head 5/16-18 x 1	1
17	37010	Key - 1/2 x 1/2 x 1-1/2	2

Gearcase Breather Tube



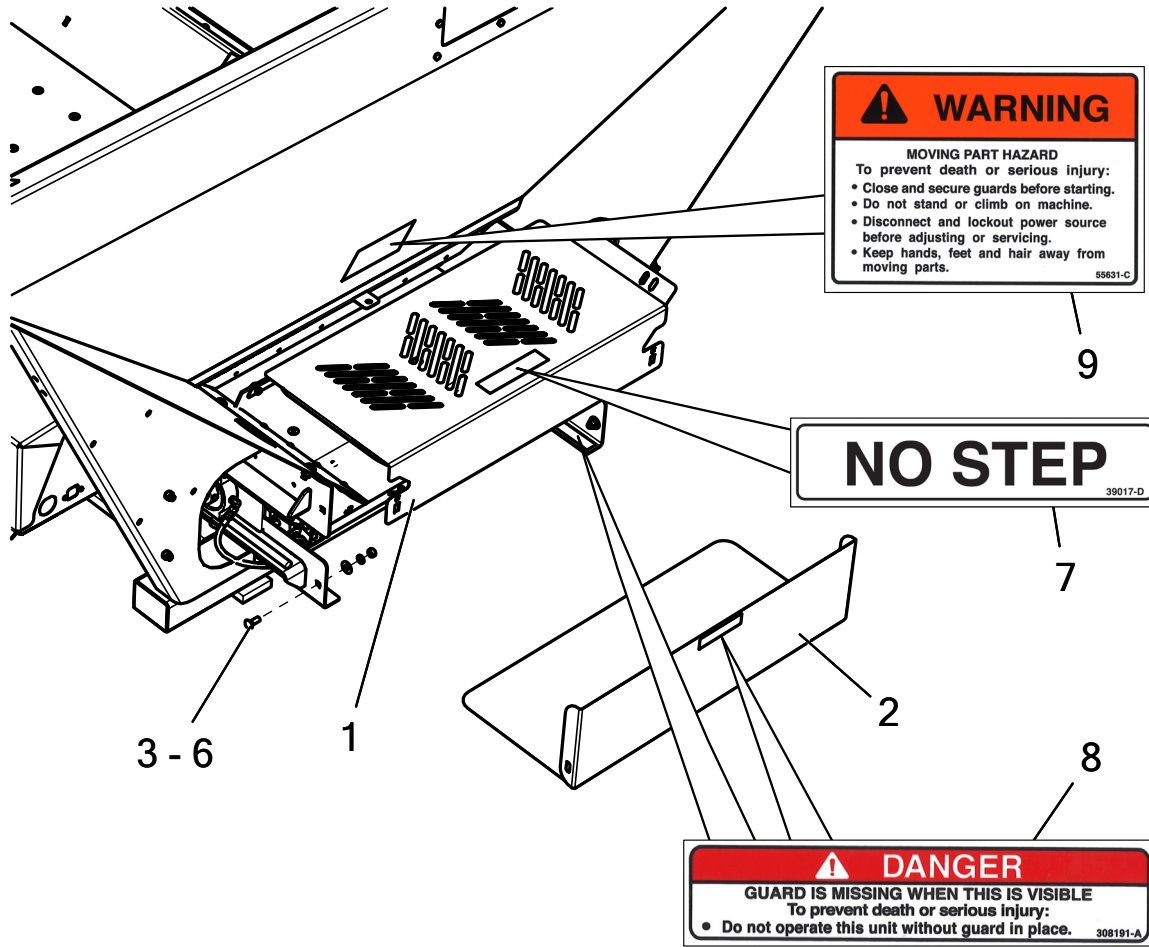
<u>ITEM</u>	<u>PART NO.</u>	<u>DESCRIPTION</u>	<u>QTY</u>
1	306891	Fitting - 4-2 630202K	1
2	9005-0-7761	Tubing - 1/4" OD Air Brake Black	1.5 ft
3	311172	V-Ring Seal	1

**Conveyor
Encoder**



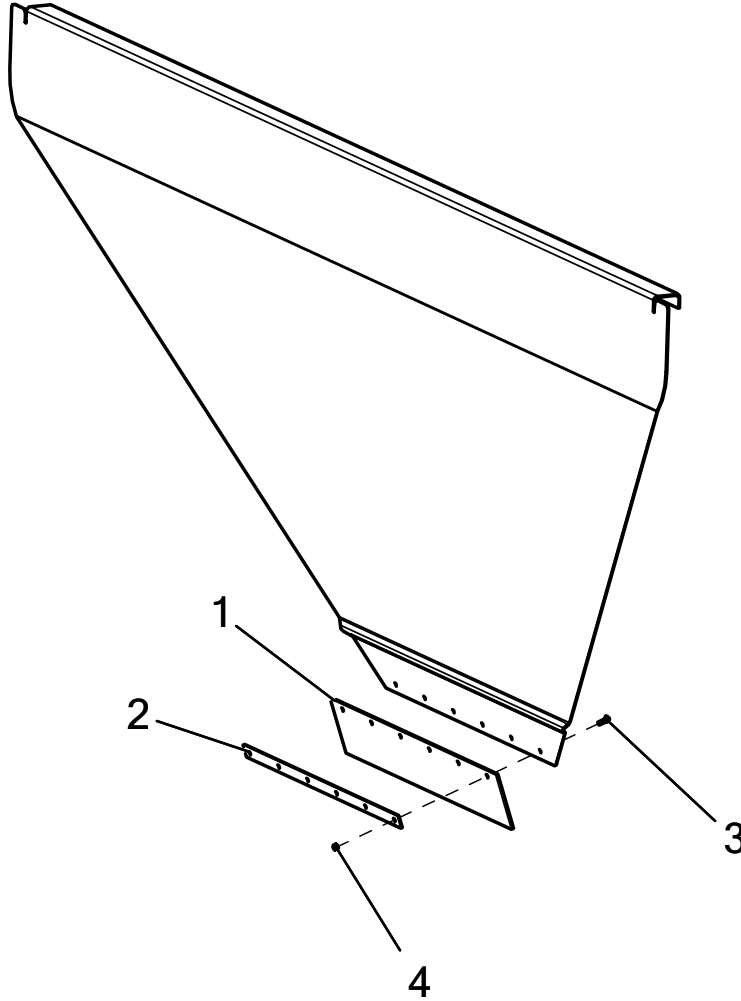
ITEM	PART NO.	DESCRIPTION	QTY
1	303994	Encoder – 180 with Hardware	1
2	310601	Coupler - Rate Sensor SS	1
3	310603	Screw - Set 1/4-20NC x 5/16 SS	1
4	304946	Bracket - Sensor, Drive Mount	1

Conveyor
Guard - Front



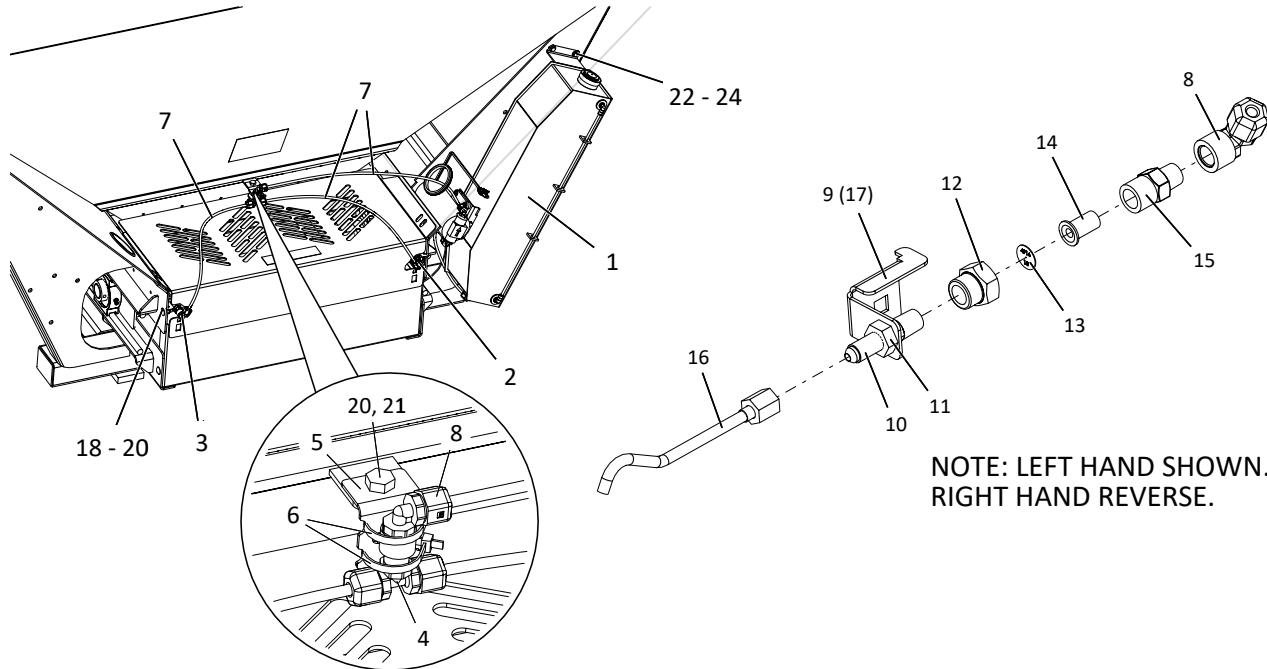
ITEM	PART NO.	DESCRIPTION	QTY
1	314316	Guard - Front Top, Includes Item 7	1
2	312877	Guard - Front Bottom, Includes Item 8	1
3	36408	Bolt - Carriage 3/8-16NC x 1 SS	2
4	36425	Washer - Flat 3/8 SS	2
5	36420	Washer - Lock 3/8 SS	2
6	36414	Nut - Hex 3/8-16NC SS	2
7	39017	Decal - No Step	1
8	308191	Decal - Danger, Guard is Missing	2
9	55631	Decal - Danger, Moving Part Hazard	1

Wiper - Front



<u>ITEM</u>	<u>PART NO.</u>	<u>DESCRIPTION</u>	<u>QTY</u>
1	14743	Wiper – Belt	1
2	71656	Retainer – Belt 304	1
3	32446	Screw – TR HD 1/4 x 3/4	6
4	36412	Nut – Hex 1/4	6

Conveyor Chain Oiler

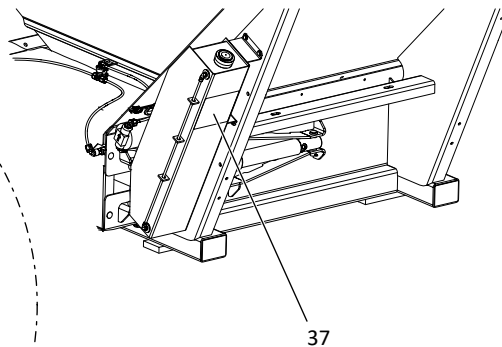
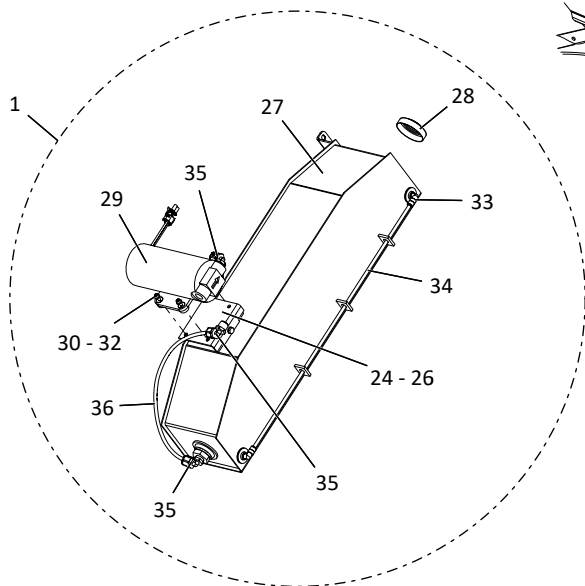


NOTE: LEFT HAND SHOWN.
RIGHT HAND REVERSE.

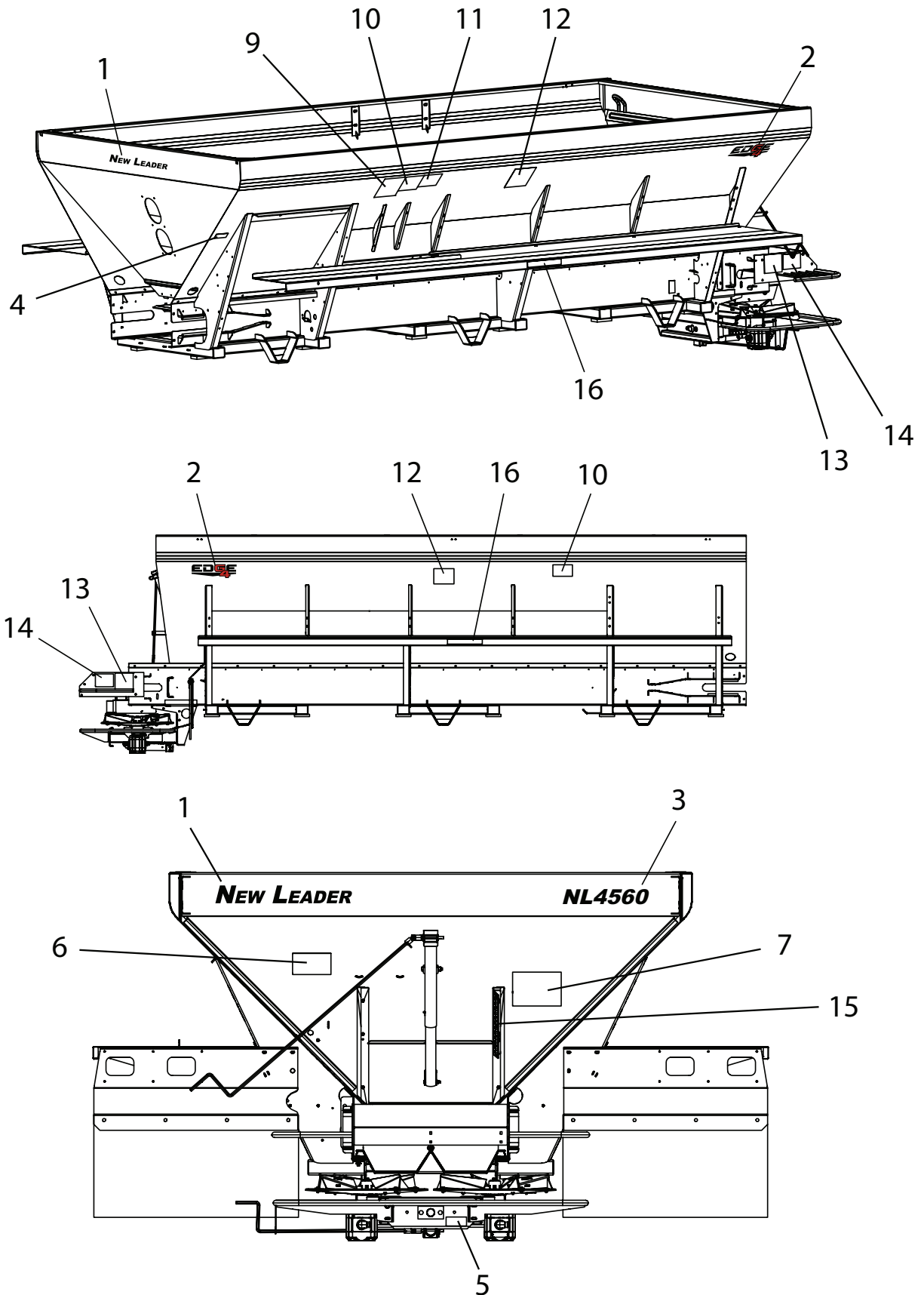
ITEM	PART NO.	DESCRIPTION	QTY
1	310760	Tank - Assy Chain Oiler, Includes Items 24 - 36	1
2	314019	Nozzle - Assy LH, Includes Items 8 - 16	1
3	314020	Nozzle - Assy RH, Includes Items 8, 10 - 17	1
4	309905	Tee - HDPP 1/4 NPT Male x 1/4 Tube	1
5	306804	Bracket - Coupling	1
6	99674	Tie - Wire	2
7	301338	Tubing - Black 1/4" Nylon	24" 1 20" 2
8	309904	Elbow - HDPP 1/4 NPT Fem x 1/4 Tube	3
9	314016	Angle - Nozzle Mount LH	1
10	314012	Fitting - 4-4 070602	2
11	314261	Fitting - 4 070118	2
12	314014	Fitting - Outlet 1/4 NPT Fem x 1/4 TT Fem Nylon	2
13	314013	Plate - Orifice SS	2
14	306651	Strainer - w/ Check Valve	2
15	314015	Fitting - Adapter 1/4 NPT Male x 1/4 TT Male Nylon	2
16	314018	Nozzle - Tube 304	2
17	314017	Angle - Nozzle Mount RH	1
18	36398	Cap Screw - 3/8-16NC x 1 SS	2
19	36425	Washer - Flat 3/8 SS	4

Conveyor

Conveyor Chain Oiler Cont.



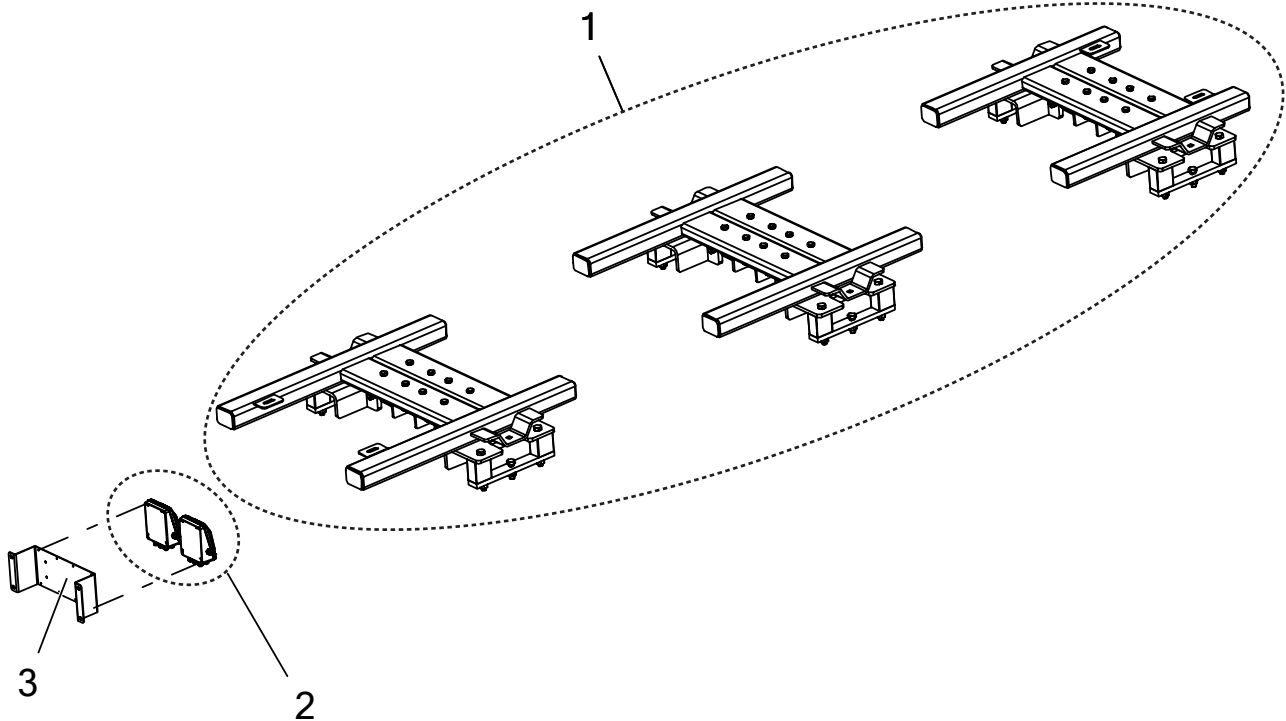
ITEM	PART NO.	DESCRIPTION	QTY
20	72054	Nut - Lock 3/8-16NC SS	3
21	36293	Cap Screw - 3/8-16NC x 3/4 SS	1
22	36423	Washer - Flat 1/4 SS	8
23	42034	Nut - Lock 1/4-20NC SS	4
24	36393	Cap Screw - 1/4-20NC x 3/4 SS	5
25	36418	Washer - Lock 1/4 SS	1
26	304409	Mount - Pump	1
27	304398	Tank - Wldmt Chain Oiler, Includes Cap	1
28	21980	Cap - Vented	1
29	304390	Pump - Assy w/ Connector	1
30	44454	Screw - Socket Head #10-24NC x 1 SS	4
31	171052	Washer - Flat #10 SS	8
32	56355	Nut - Lock #10-24NC SS	4
33	301337	Fitting - 90° Male 1/8 NPT	2
34	306437	Tubing - Clear 1/4 OD x 24-3/4	24.75" 1
35	309902	Elbow - HDPP 3/8 NPT Male x 1/4 Tubing	3
36	301338	Tube - 1/4 Black Nylon	15" 1
37	21476	Decal - Notice, Conveyor Chain Life	1



<u>ITEM</u>	<u>PART NO.</u>	<u>DESCRIPTION</u>	<u>QTY</u>
1	312561 312562	Decal - New Leader, Black Decal - New Leader, White	2 2
2	311757 312697	Decal - G4 Edge, Black/Red Decal - G4 Edge, Black/White	2 2
3	313831 313832	Decal - NL4560, Black Decal - NL4560, White	1 1
4	302601	Decal - Patent 6,817,551	1
5	98319	Decal - Patent	1
6	312276	Decal - Notice Spread Pattern	1
7	368	Decal - Danger, Flying Material	1
8	311828	Decal - Important, Chain Tension	2
9	150034	Decal - Caution, Improper Operation	1
10	364	Decal - Danger, Moving Part	2
11	321	Decal - Caution, Hazardous Material	1
12	39138	Decal - Warning, High Pressure Fluid	2
13	55630	Decal - Warning, Falling Hazard	2
14	55631	Decal - Warning Moving Part Hazard	2
15	311604	Feedgate Slide Scale	1
16	39200	Decal - Keep Off (fenders)	2

NOTE: Refer to "Safety Decals" and "Informational Decals" in Safety section of operator's manual for details.

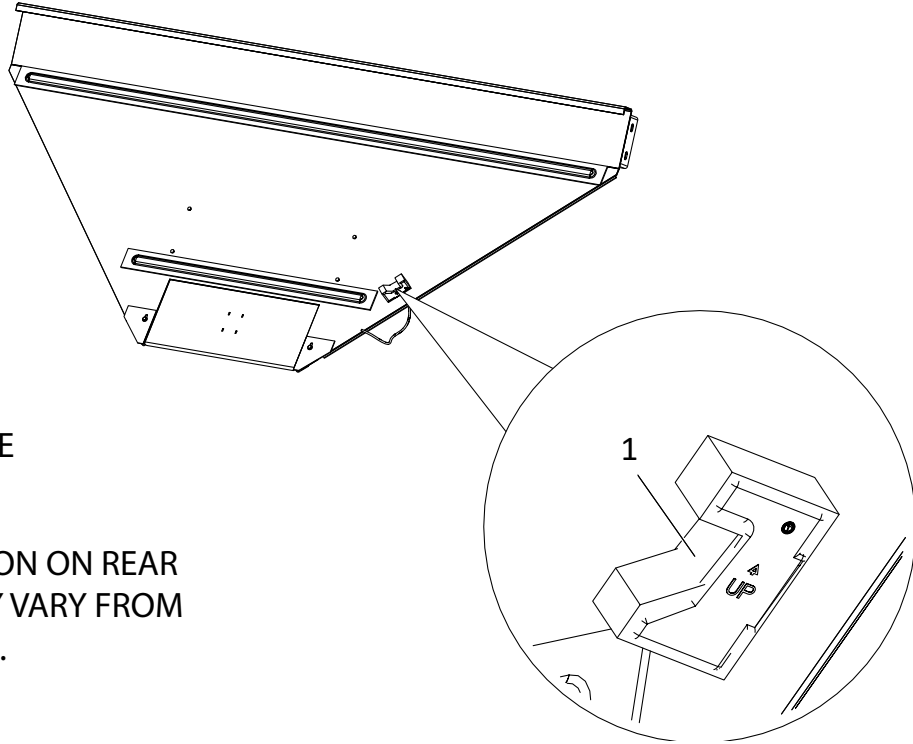
Scale System



<u>ITEM</u>	<u>PART NO.</u>	<u>DESCRIPTION</u>	<u>QTY</u>
1	313850	Kit - Scale System	1
2	313851	Kit - Scale Link	1
3	313849	Bracket - Scale Link 304	1
4	*313852	Kit - Scale Remote Display	1
5	*313857	Kit - Bracket Remote Display w/ Hardware	1
6	*313859	Harness - Scale Link	1

* - Not Shown

Bin Sensor

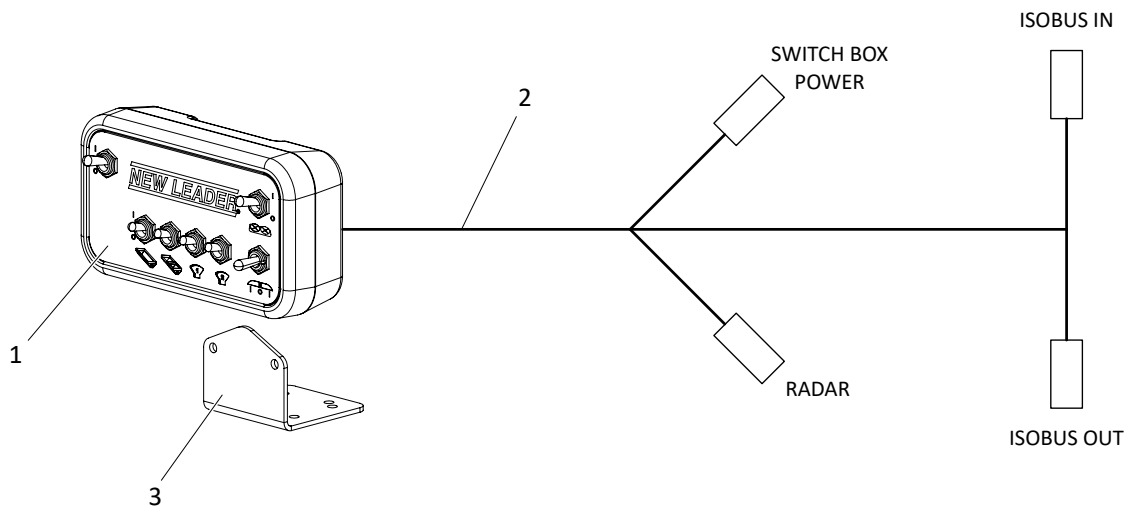


REAR ENDGATE

NOTE: LOCATION ON REAR
ENDGATE MAY VARY FROM
ILLUSTRATION.

<u>ITEM</u>	<u>PART NO.</u>	<u>DESCRIPTION</u>	<u>QTY</u>
1	98787-AB	Sensor - Bin Level w/ 18" Lead	1

Switch Box & Harness

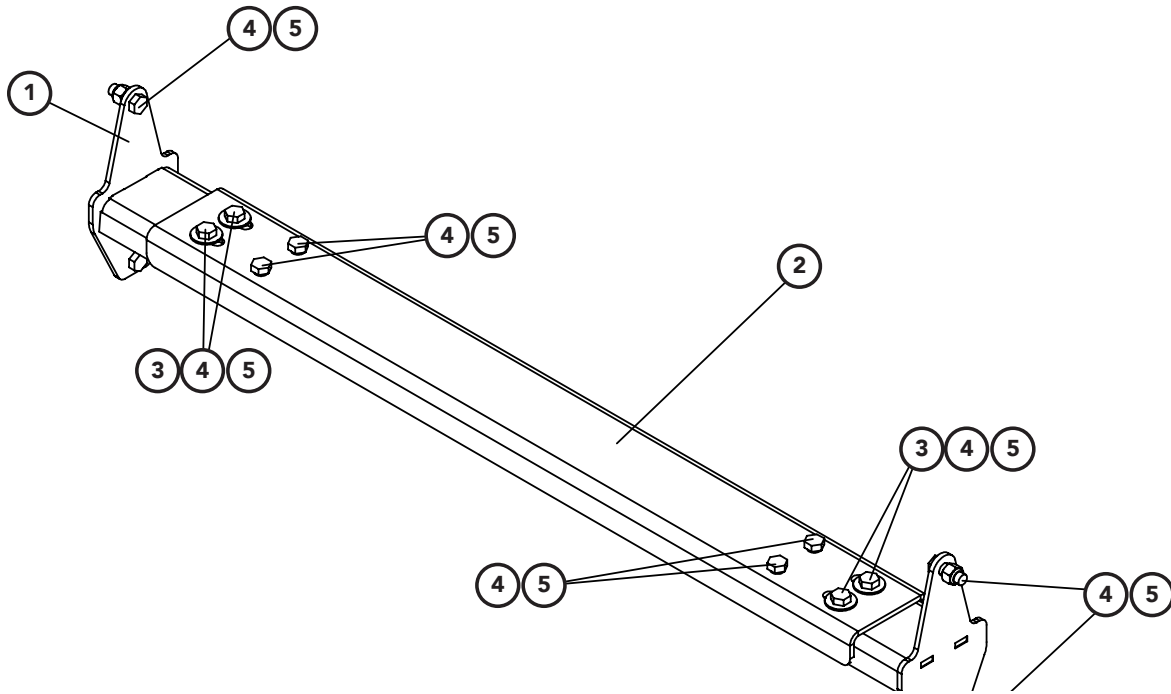


ITEM	PART NO.	DESCRIPTION	QTY
1	310742	Switch Box - NL G5	1
2	310743	Harness - ISO AUX Console	1
3	313884	Mount - Switch Box	1
4	*314488	Harness - Extension	1
5	*313581	Hardware - Kit Switch Box	1
6	**314222	Harness - Power WP	AR
	**314223	Harness - Power John Deere Strip	AR
	**314224	Harness - 9 Pin AMP ISO AUX Console	AR

* - Not Shown.

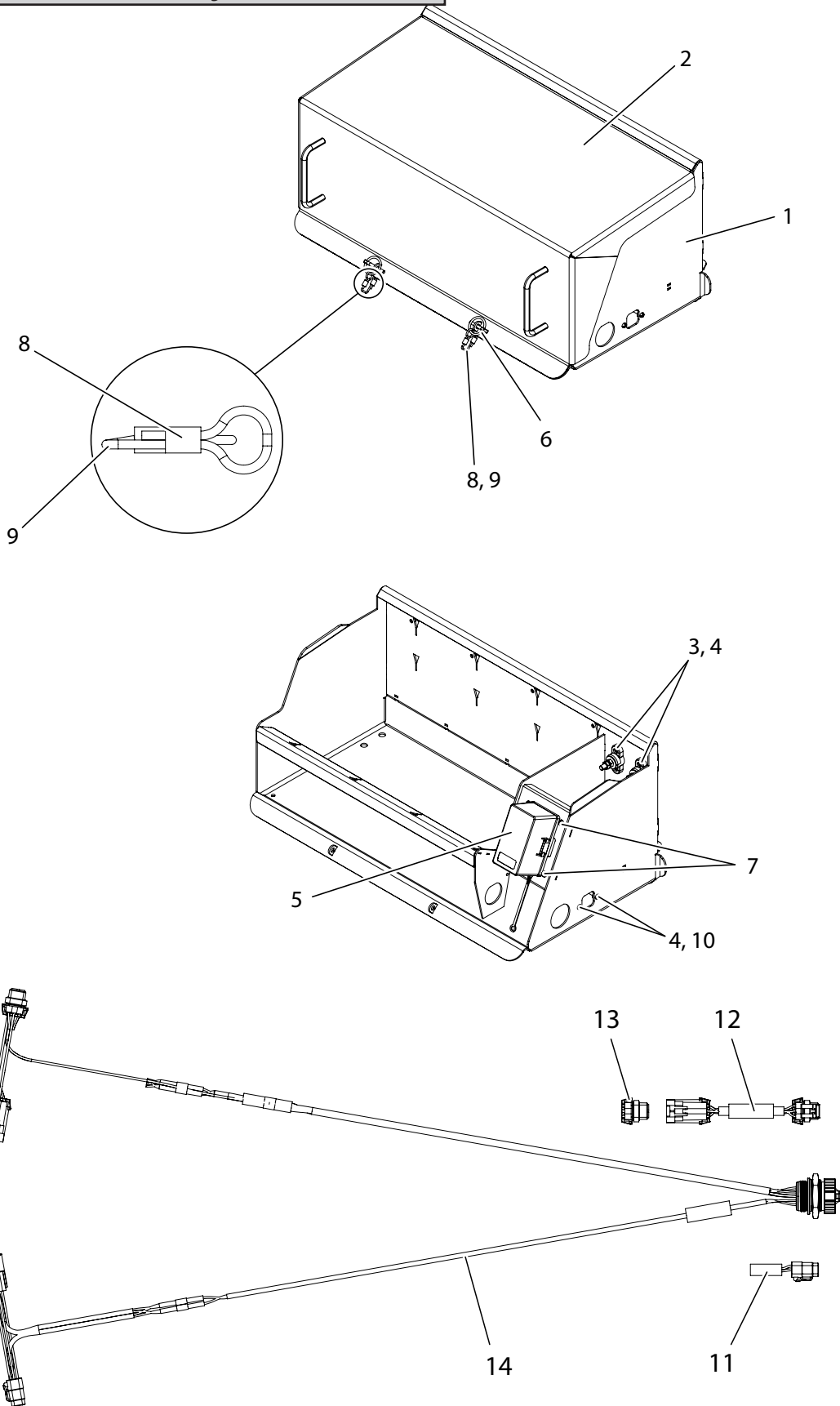
** - Harness required depends on tractor used with implement. Contact your New Leader parts dealer for details.

Controller Mount



<u>ITEM</u>	<u>PART NO.</u>	<u>DESCRIPTION</u>	<u>QTY</u>
1	311850	Mount - Wldmt	2
2	310717	Channel - Mount	1
3	36425	Washer - Flat 3/8 SS	4
4	36398	Cap Screw - 3/8-16NC x 1 SS	12
5	72054	Nut - Lock 3/8-16NC SS	12

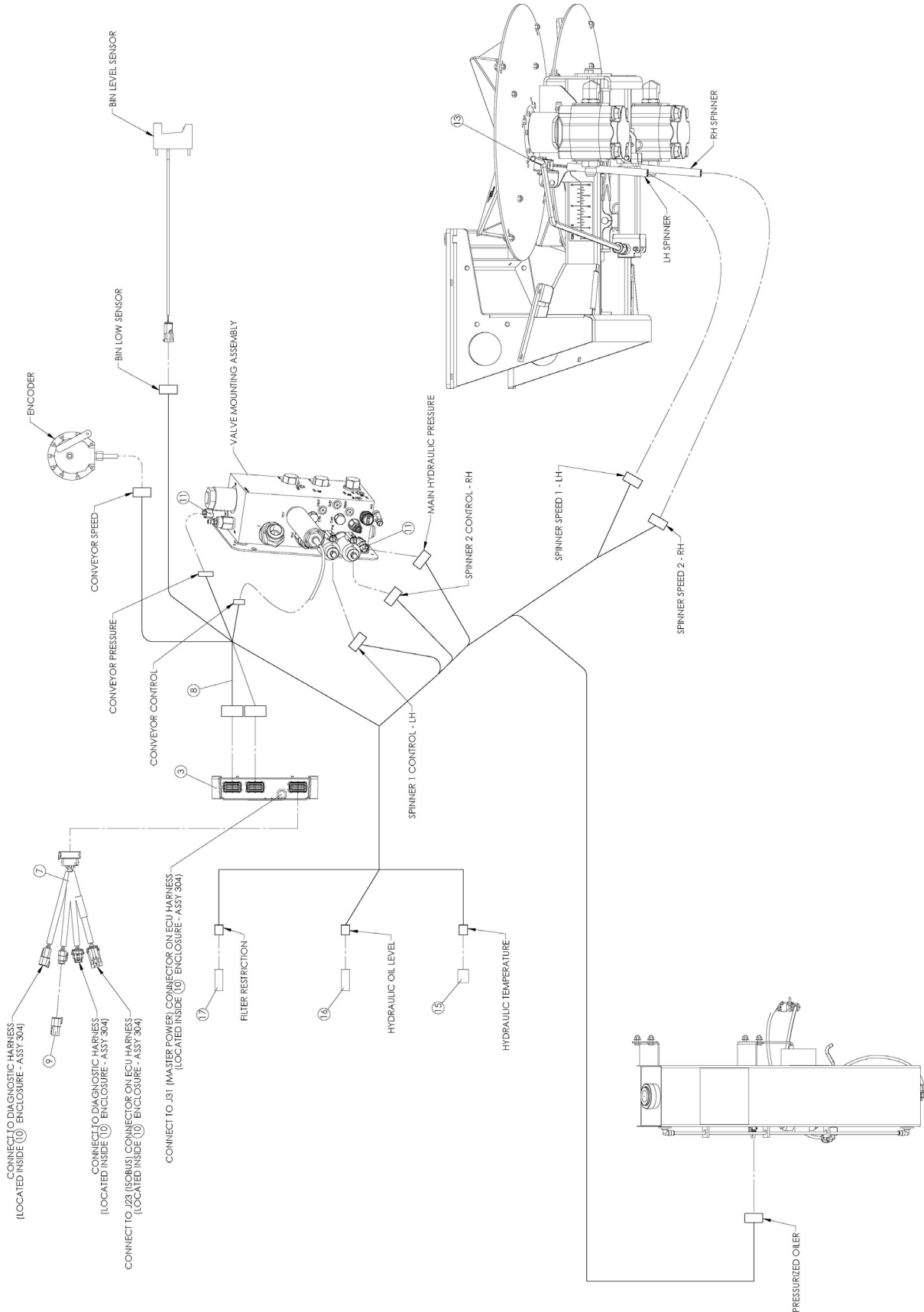
Enclosure Assembly



Enclosure Assembly Cont.

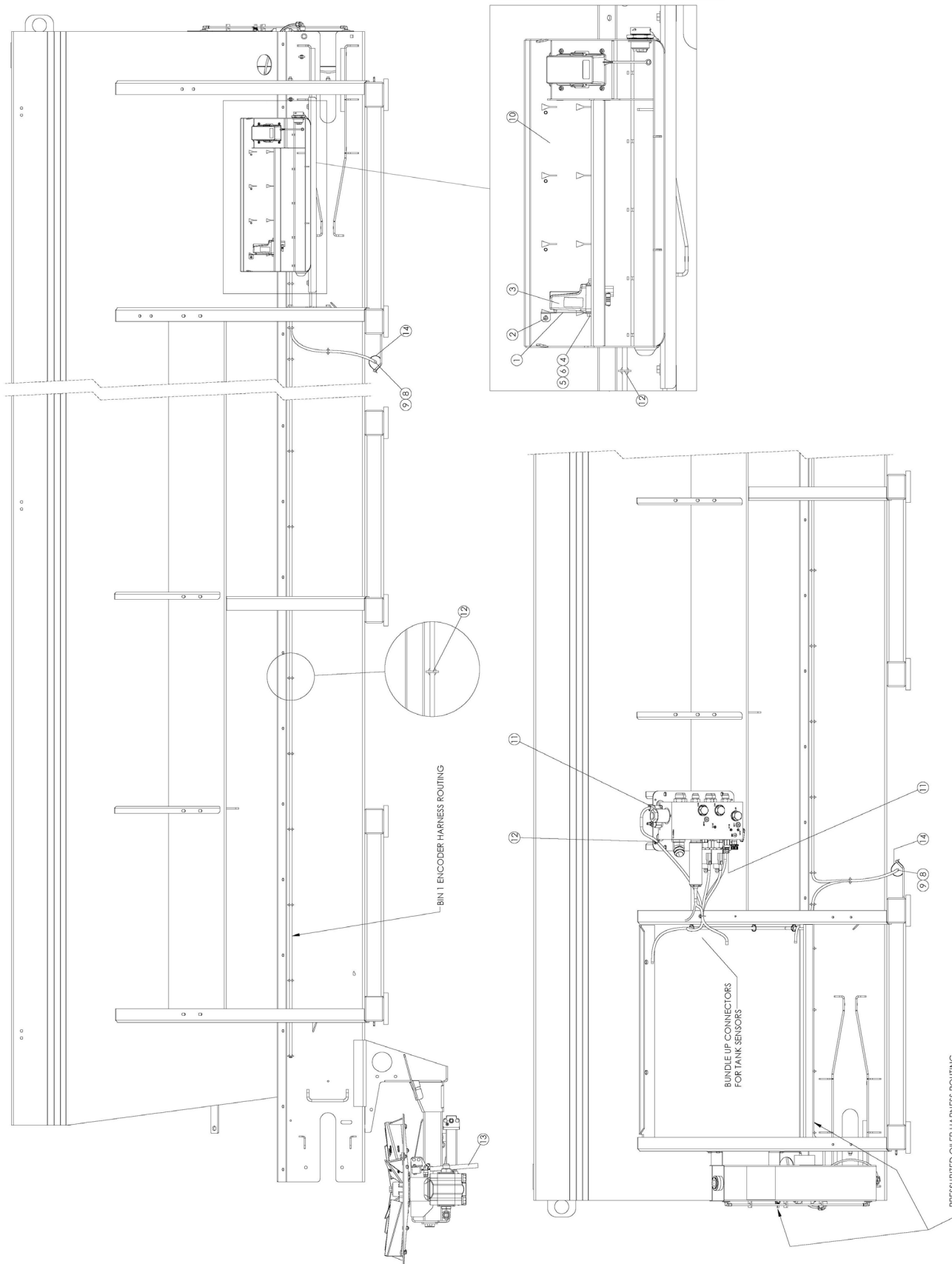
<u>ITEM</u>	<u>PART NO.</u>	<u>DESCRIPTION</u>	<u>QTY</u>
	311841	Enclosure - Assy 304, Includes Items 1 - 15	1
1	310722	Enclosure - Weldment Controller 304	1
2	310724	Cover - Weldment 304	1
3	310740	Post - Power Distribution	2
4	44483	Screw - Panhead #10-24 x 3/4 SS	6
5	310739	Harness - New Leader ECU Enclosure	1
6	310732	Pin - Lynch .188 x 1.25 SS	2
7	310733	Screw - Panhead #10-32 x 1/2 SS	4
8	308085	Ferrule - .185 x .734	4
9	311731	Cable - 12 Coated SS	2
10	*99674	Strap - Zip Tie 8" Black	12
11	56355	Nut - Lock #10-24 SS	2
12	311068	Plug - Terminating Local CAN	1
13	311070	Harness - ISOBUS Active Termination, Includes Item 14	1
14	311069	Circuit - Terminating Bias ISO CAN	1
15	312448	Harness - ISOBUS Diagnostic Tee	1

Controller - Main Bin



Electronics

Controller - Main Bin Cont.



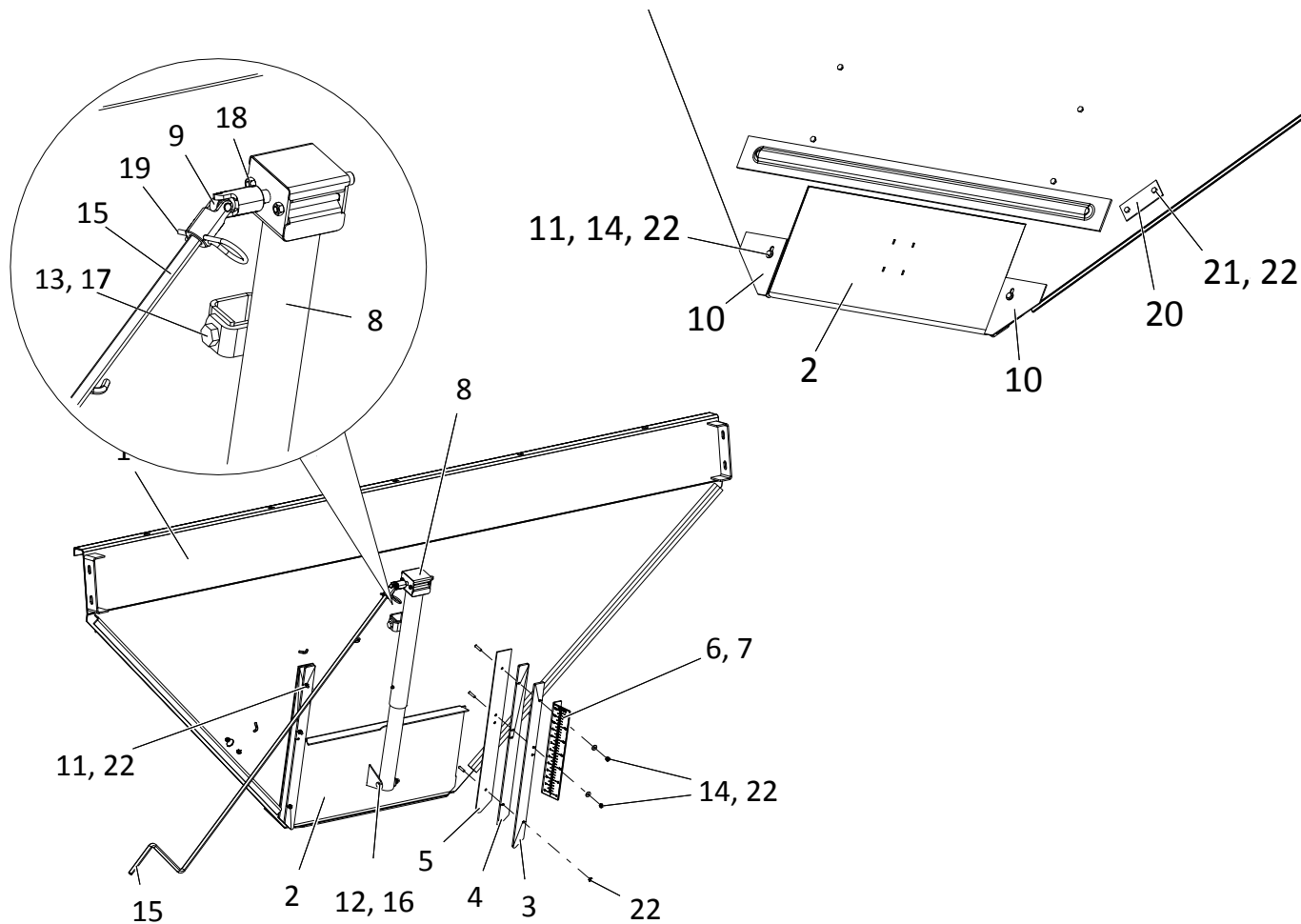
Controller - Main Bin Cont.

<u>ITEM</u>	<u>PART NO.</u>	<u>DESCRIPTION</u>	<u>QTY</u>
1	310718	BRACKET - MODULE 304	1
2	44483	SCREW - ROUND HEAD #10-24NC x	1
3	310734	MODULE - MASTER CONTROL	1
4	36296	CAPSCREW - .3846 X 2.75 SS	2
5	36425	WASHER - FLAT .375 SS	4
6	307395	NUT - LOCK THIN .375-16NC SS	2
7	310754	HARNESS - ISOBUS BREAKOUT	1
8	316949	HARNESS - MASTER CONTROL	1
9	311067	RECEPTACLE - TERMINATING LOCAL	1
10	311841	ENCLOSURE - ASSY	1
11	311074	TRANSDUCER - PRESSURE	2
12	311806	TIE - WIRE FIR TREE	47
13	311846	SENSOR - GROUP DUAL SPINNER	1
14	99674	STRAP - ZIP TIE 8 BLACK	10
15	311176	RECEPTACLE - AMP JPT 2 PIN	1
16	311177	RECEPTACLE - DEUTSCH DTM 2 PIN	1
17	313691	RECEPTACLE - METRIPACK 2 PIN	1

This page is intentionally left blank.

Endgate

Feedgate & Jack Assembly



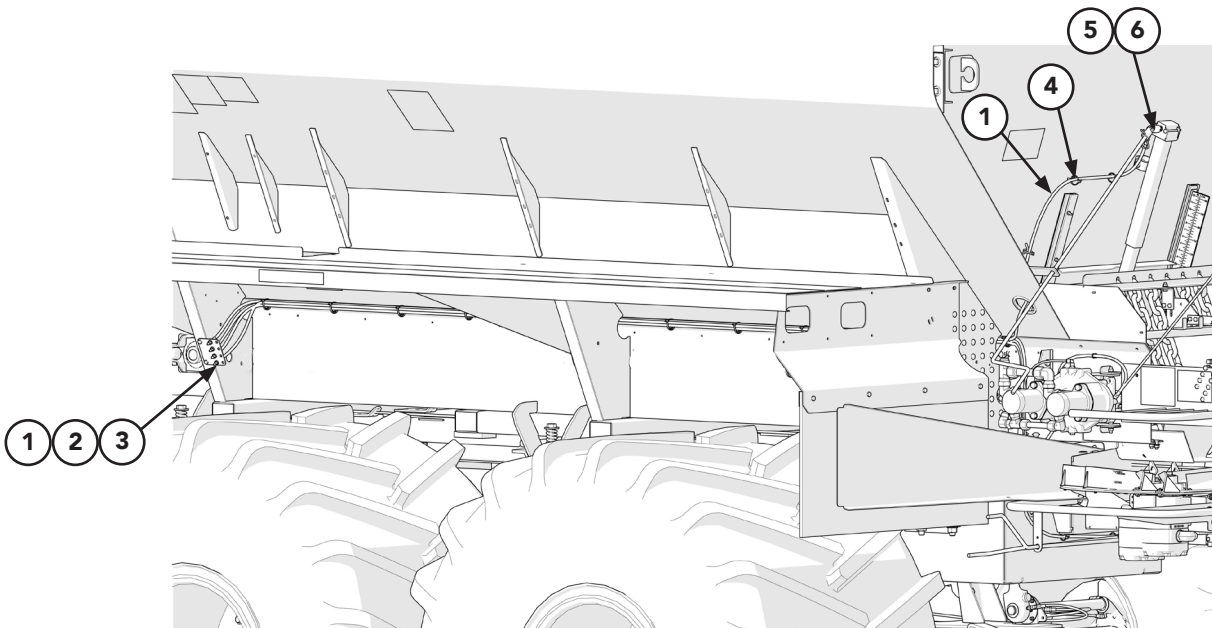
Endgate

Feedgate & Jack Assembly Cont.

ITEM	PART NO.		DESCRIPTION	QTY
	409 SS	304 SS		
	314665	311694	Endgate - Assy, Includes Items 1 - 24	1
1	313591	313594	Endgate - Removable Wldmt	1
2	311684	311685	Feedgate - Wldmt	1
3	36384	36384	Slide - Feedgate	2
4	36385	36385	Guide - Feedgate	2
5	86090	86090	Shim - Plastic	2
6	311604	311604	Scale - 0 to 12"	1
7	311690	311690	Decal Plate	1
8	312994	312994	Jack - Coated	1
9	85002	85002	U-Joint	1
10	305078	305078	Sealer - Endgate	2
11	312394	312394	Cap Screw - 1/4-20NC x 1-3/8 SS	6
12	71827	71827	Cap Screw - 3/8-16NC x 3 SS	1
13	80798	80798	Cap Screw - 1/2-13NC x 3-3/4 SS	1
14	36423	36423	Washer - Flat 1/4 SS	4
15	311605	311605	Jack Handle	1
16	72054	72054	Nut - Lock 3/8-16NC SS	1
17	39016	39016	Nut - Lock 1/2-13NC SS	1
18	312268	312268	Pin - Roll SS	1
19	86878	86878	Pin - Hair	1
20	305832	305832	Plate - Bin Sensor	1
21	36393	36393	Cap Screw - 1/4-20NC x 3/4 SS	2
22	42034	42034	Nut - Hex 1/4-20NC SS	8
23	*312276	*312276	Decal - Notice, Spread Pattern	1
24	*368	*368	Decal - Danger, Flying Material Hazard	1

* - Not Shown. See "Decals" parts page for details.

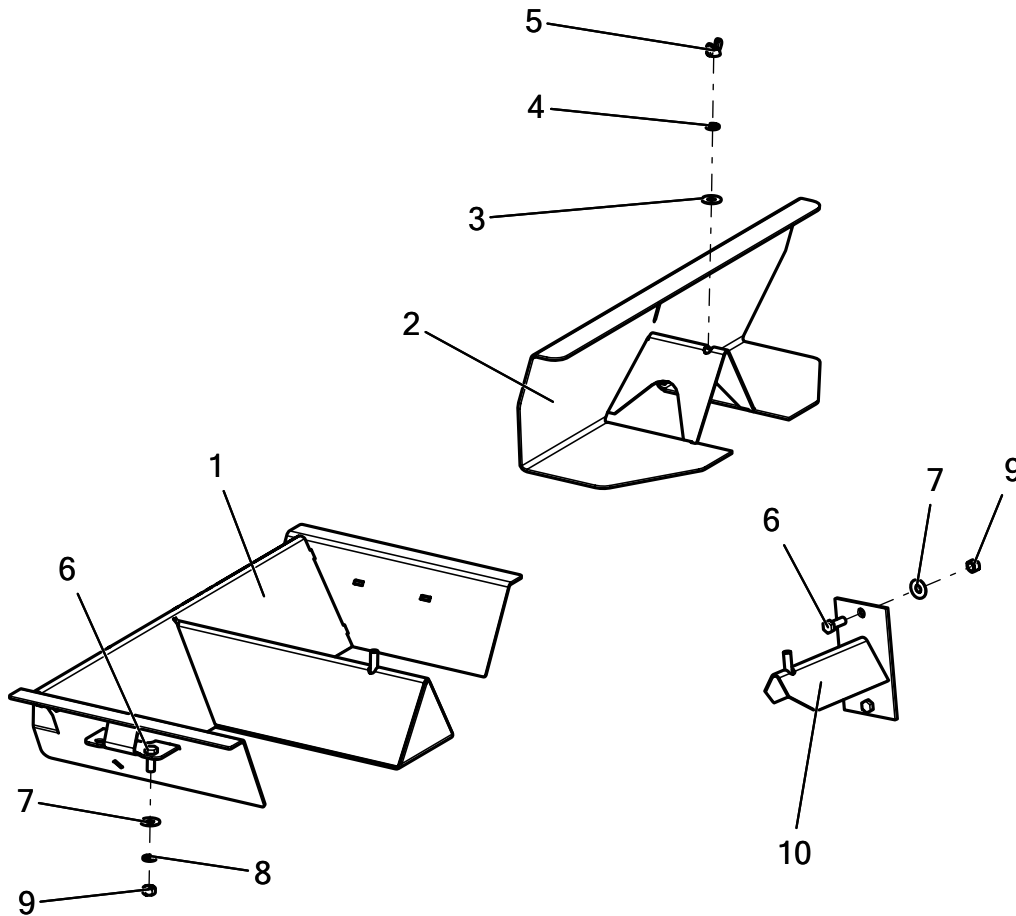
Lubrication



ITEM	PART NO.	DESCRIPTION	QTY
1	313035	Hose - Assy .125 X 197 HLB	1
2	310471	Nut - Bulkhead .125-27	1
3	311663	Zerk - Grease .25-28 Straight SS	1
4	99674	Tie - Wire	15
5	311663	Adapter - Pipe JIC	1
6	310471	Fitting - 4-4 070221	1

This page is intentionally left blank.

Material Divider

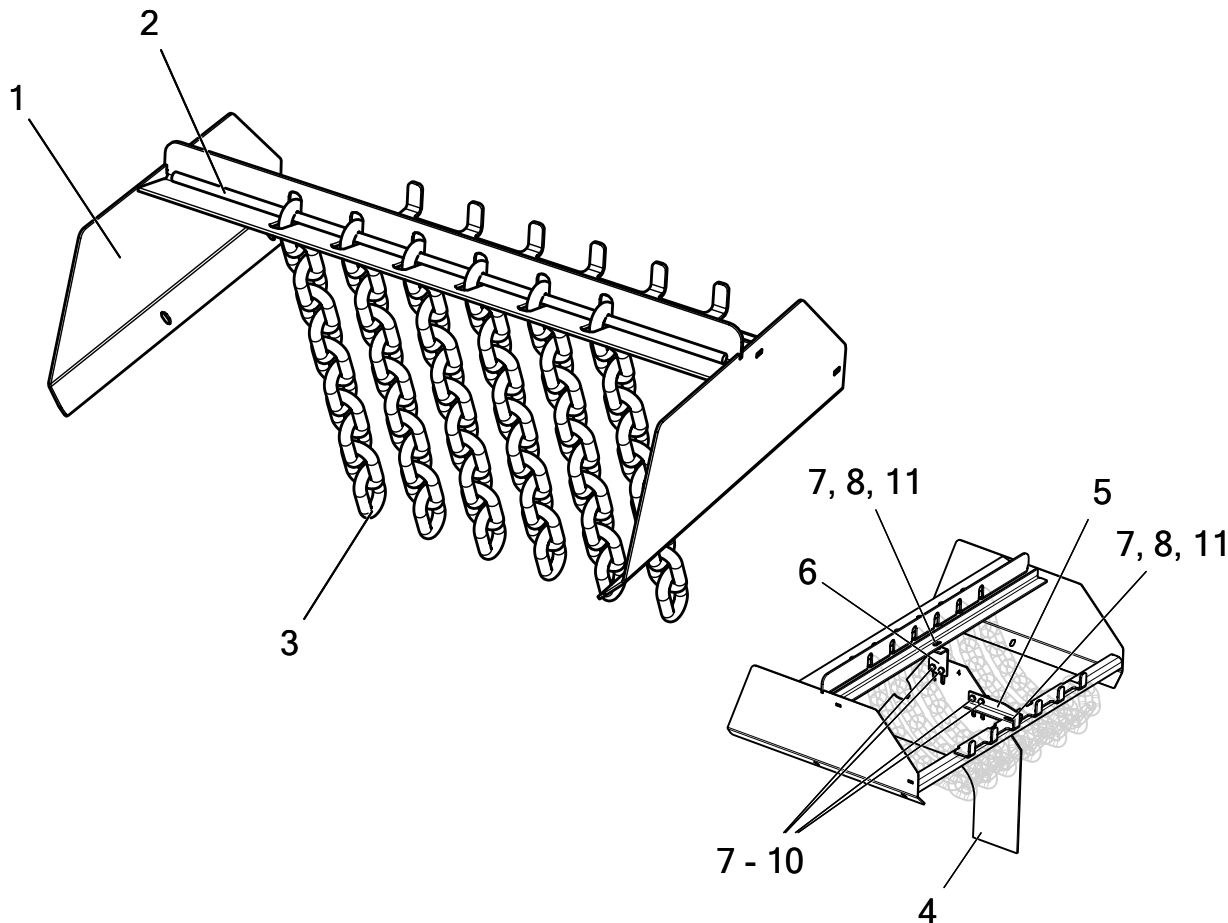


<u>ITEM</u>	<u>PART NO.</u>	<u>DESCRIPTION</u>	<u>QTY</u>
	311640	Divider – Material Assy 304	
1	311641	Divider – Wldmt 304	1
2	311648	Deflector – Rear Wldmt 304	1
3	36425	Washer – Flat 3/8 SS	1
4	36420	Washer – Lock 3/8 SS	1
5	20673	Nut – Wing 3/8 SS	1
6	36398	Cap Screw – 3/8 x 1 SS	4
7	36425	Washer - Flat 3/8 SS	4
8	36420	Washer – Lock 3/8 SS	2
9	36414	Nut – Hex 3/8 SS	4
10	87381*	Mount – Divider Wldmt	1

*Item 10 mounts on unit to hold Item 2 when not in use.

Spinners

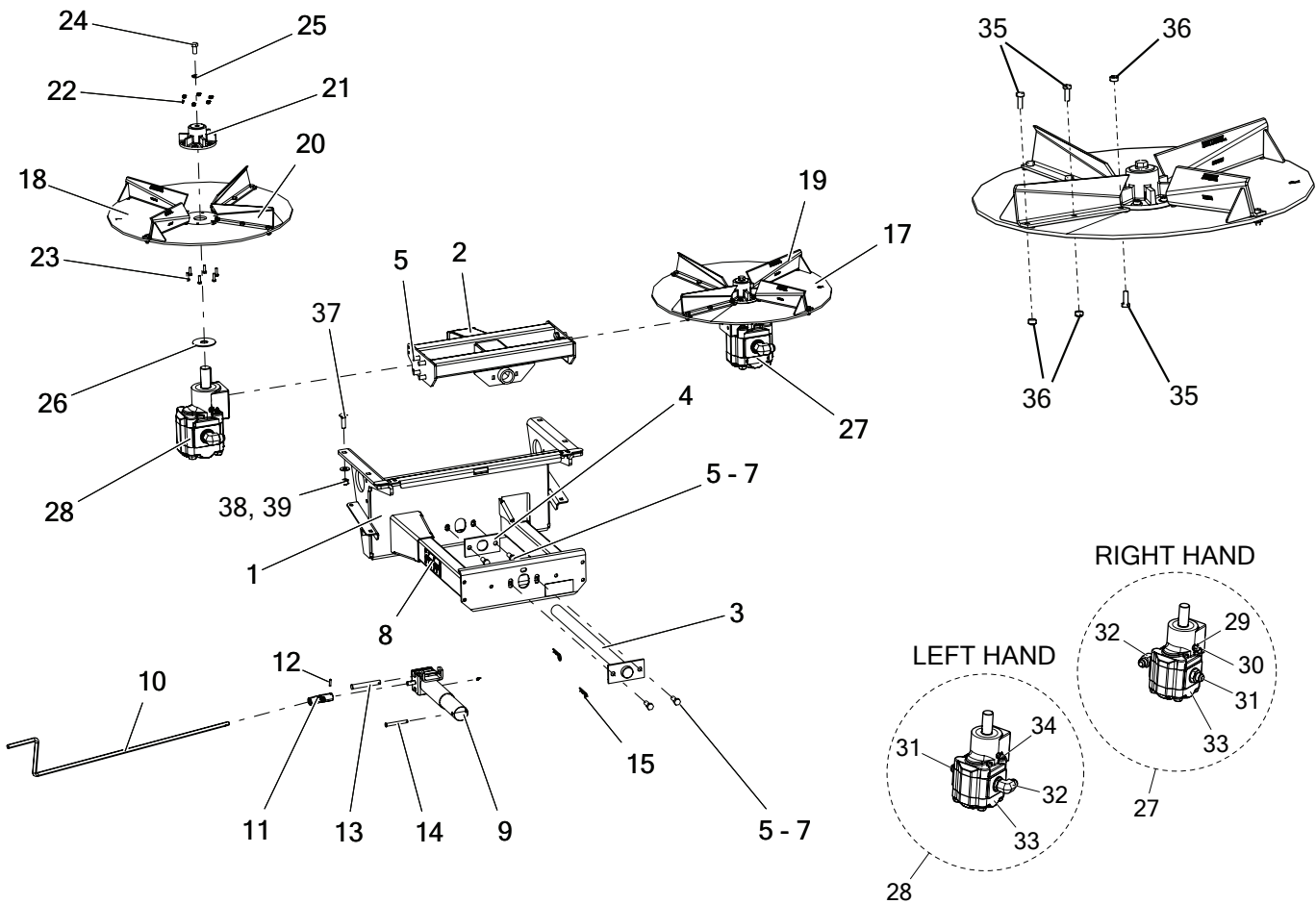
Anti-Slab



OPTIONAL HILLSIDE DIVIDER PANEL

ITEM	PART NO.	DESCRIPTION	QTY
	312953	Anti-Slab Assy, Includes Items 1 - 3	1
1	312954	Support - Wldmt 304	1
2	312959	Round - 1/2 x 31 304	1
3	312960	Chain	6
4	82288	Panel - Hillside Divider	1
5	56879	Bracket - Clamp	1
6	56880	Angle - Clamp	1
7	34580	Cap Screw - 5/16-18NC x 1 SS	6
8	36424	Washer - Flat 5/16 SS	8
9	36419	Washer - Lock 5/16 SS	4
10	36413	Nut - Hex 5/16-18NC SS	4
11	42221	Nut - Lock 5/16-18NC SS	2

Spinner Assembly



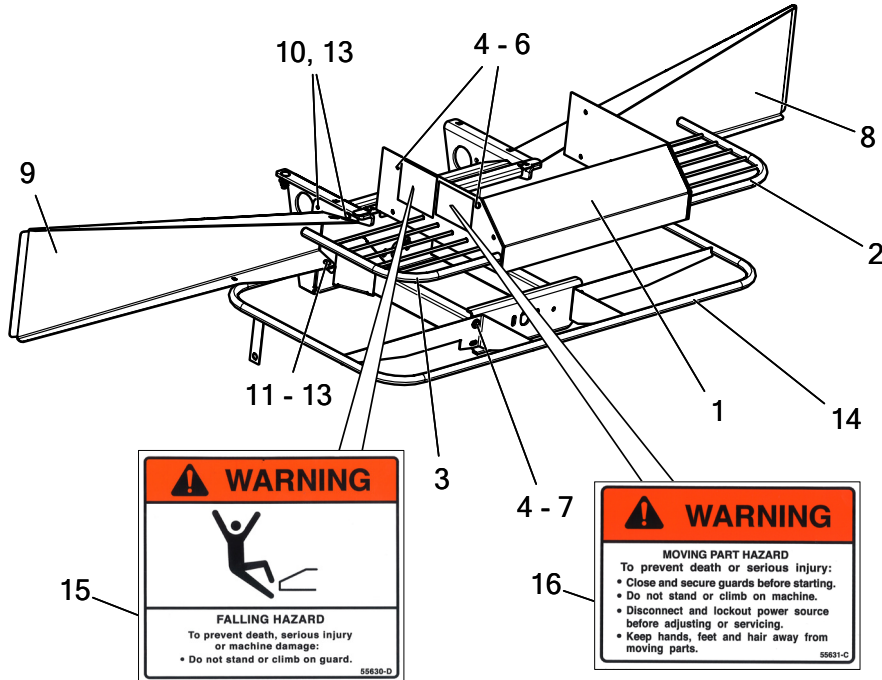
ITEM	PART NO.	DESCRIPTION	QTY
	314677	24" Spinner Assy, Includes Items 1-38	
	87105	Disc - Assy RH, Includes Items 17, 19, 21 - 23, 35, 36	
	87106	Disc - Assy LH, Includes Items 18, 20 - 23, 35, 36	
1	311388	Frame - Spinner Wldmt	1
2	311424	Mount - Motor Wldmt	1
3	87021	Shaft - Support Wldmt	1
4	87023	Plate - Shaft Mount	1
5	36402	Cap Screw - 1/2-13 NC x 1-1/4	12
6	36426	Washer - Flat 1/2	4
7	39016	Nut - Lock 1/2-13 NC	5
8	87110	Scale - Spinner Position	1
9	312975	Jack - Assy	1

Spinners**Spinner Assembly Cont.**

ITEM	PART NO.	DESCRIPTION	QTY
10	311719	Handle	1
11	85002	U-Joint	1
12	312268	Pin - Roll SS	2
13	311425	Pin - Jack	1
14	6547	Pin - Clevis	1
15	36429	Pin - Hair	2
16		NOT USED	
17	27056-X4	Disc - Spinner RH	1
18	27056-X5	Disc - Spinner LH	1
19	309091	Fin - Spinner RH Wldmt	4
20	309092	Fin - Spinner LH Wldmt	4
21	10877	Hub	2
22	20676	Nut - Lock 1/4-20 NC	12
23	20004	Cap Screw - 1/2-13 NC x 7/8	12
24	36401	Cap Screw - 1/2-13 NC x 1	2
25	36422	Washer - Lock 1/2	10
26	305571	Washer - Rubber	2
27	312461	Motor - Assy RH Style II, Includes Items 29 - 33	1
28	312462	Motor - Assy LH Style II, Includes Items 31 - 34	1
29	34763	Fitting - 6-4 070102	1
30	313945	Fitting - 6-6 070321	1
31	34717	Fitting - 12-14 070120	2
32	312476	Fitting - 12-14 070220	2
33	313510	Motor - Spinner 3.19 CID Style II	2
34	34763	Fitting - 6-4 070102	1
35	20034	Cap Screw - 5/16-18 NC x 3/4	24
36	20677	Nut - Lock 5/16-18 NC	24
37	311799	Bolt - Carriage 1/2-13 NC x 2	4
38	36426	Washer - Flat 1/2	4
39	39016	Nut - Lock 1/2-13 NC SS	4

Spinners

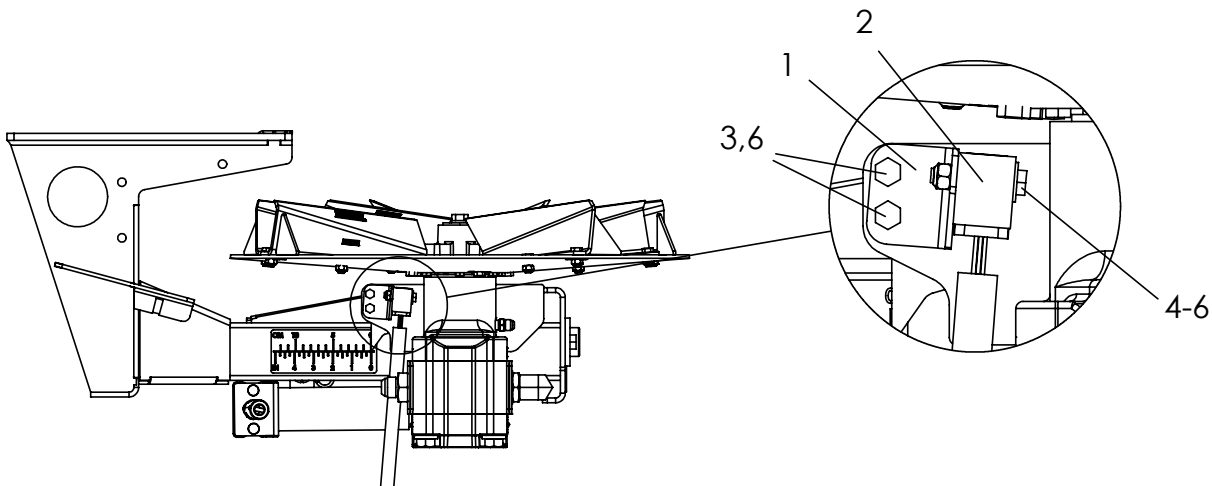
Spinner Guards & Deflectors



ITEM	PART NO.	DESCRIPTION	QTY
	311802	Kit - Hardware SS, Includes Items 4 - 7	1
	311803	Kit - Hardware, Includes Items 10- 13	1
1	305712	Guard – Center Section Assy 304, SMV	1
2	87027-X1	Guard – RH Wldmt 304	1
3	87031-X1	Guard – LH Wldmt 304	1
4	36398	Cap Screw - 3/8-16NC x 1 SS	14
5	36420	Washer – Lock 3/8 SS	14
6	36414	Nut - Hex 3/8-16NC SS	14
7	36425	Washer - Flat 3/8 SS	4
8	311341	Deflector - Wldmt RH	1
9	311340	Deflector - Wldmt LH	1
10	36399	Cap Screw - 3/8-16NC x 1-1/4 SS	6
11	36408	Bolt - Carriage 3/8-16NC x 1 SS	2
12	36425	Washer - Flat 3/8 SS	2
13	72054	Nut - Lock 3/8-16NC SS	8
14	311337	Guard - Lower Wldmt 304	1
15	55630	Decal - Warning, Falling Hazard	2
16	55631	Decal - Warning, Moving Part Hazard	2

Spinners

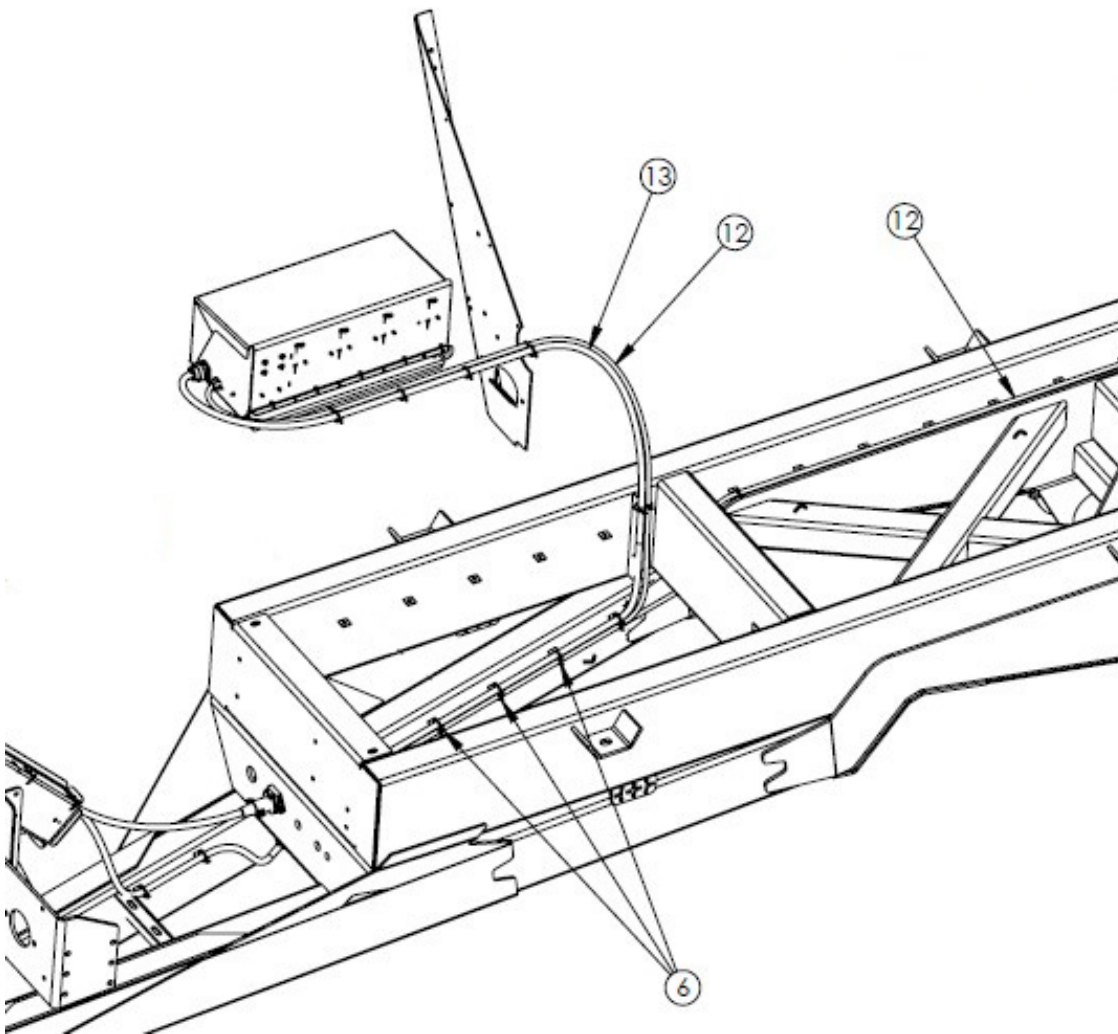
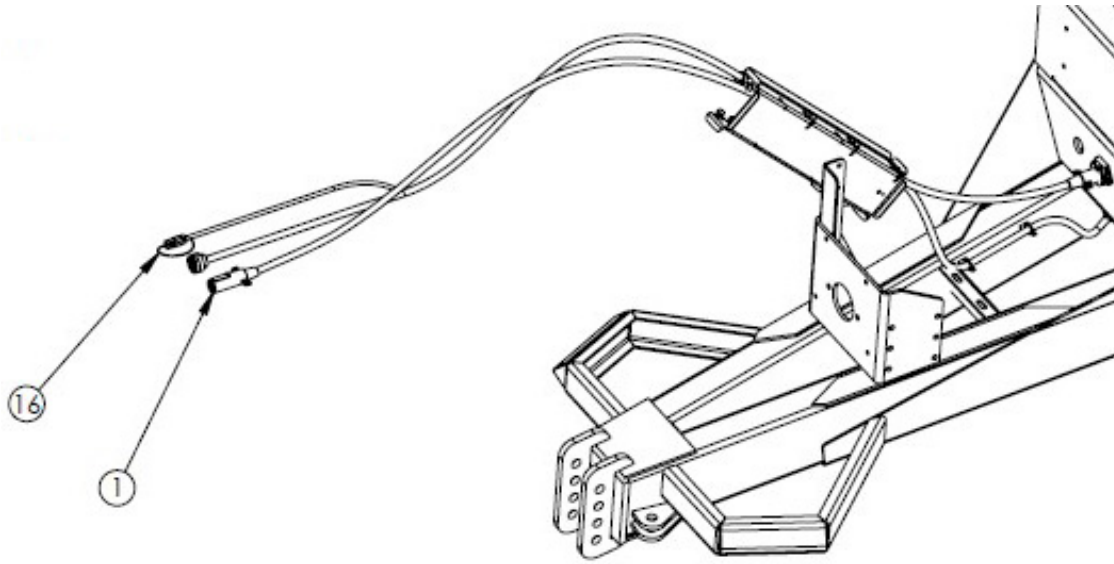
Spinner Speed Sensors



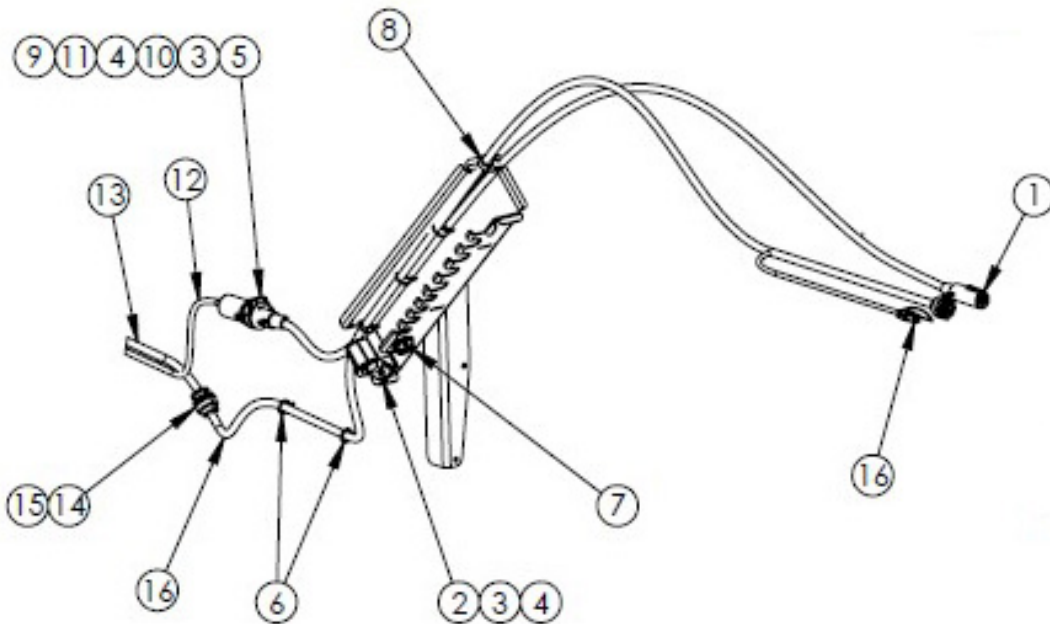
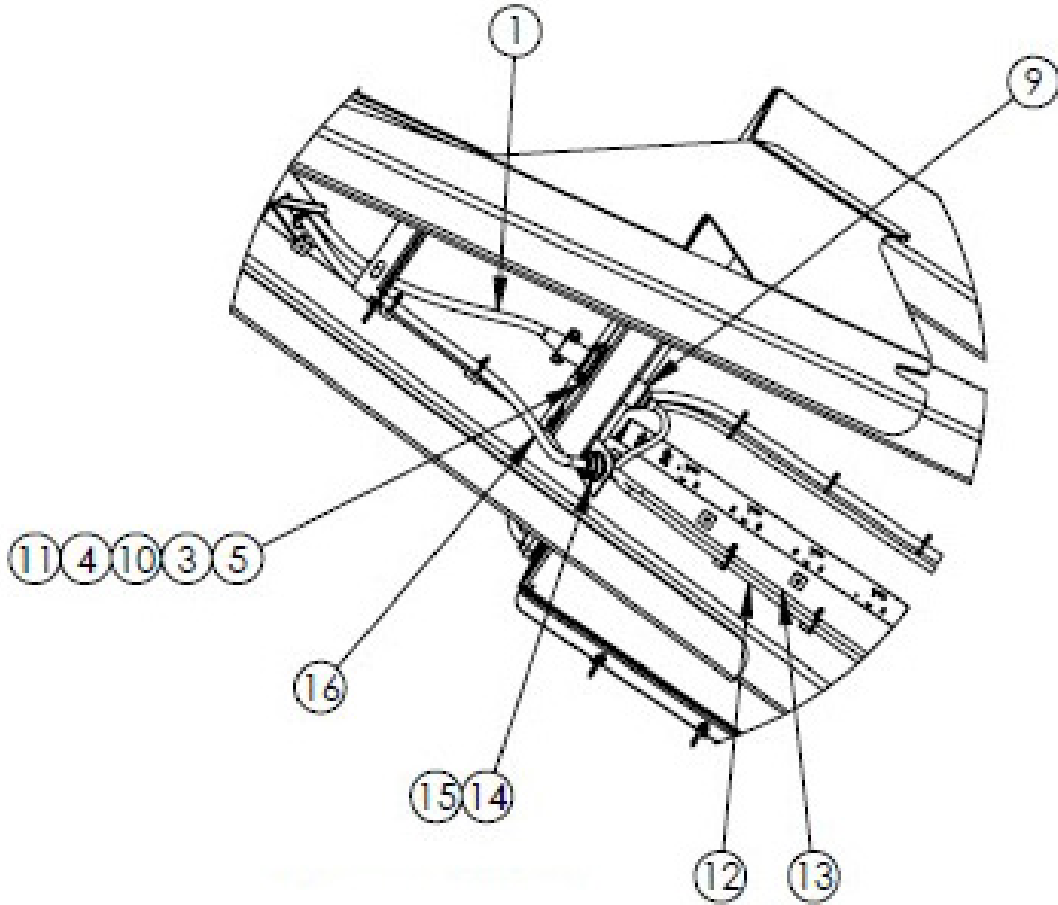
LH Side Shown

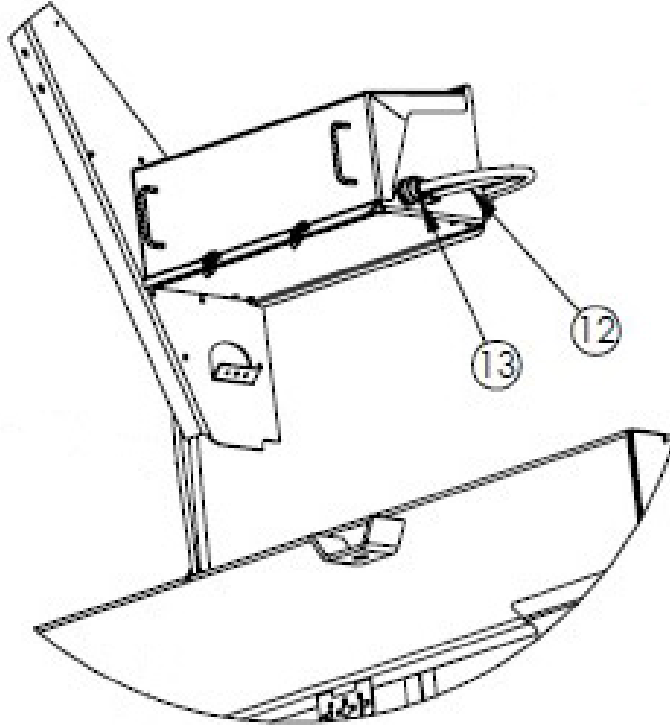
<u>ITEM</u>	<u>PART NO.</u>	<u>DESCRIPTION</u>	<u>QTY</u>
1	311852	Bracket - Speed Sensor LH 304	1
	311853	Bracket - Speed Sensor RH 304	1
2	89011	Sensor - Assy w/ Block	2
3	36393	Cap Screw - 1/4-20NC x 3/4 SS	4
4	42448	Cap Screw - 1/4-20NC x 1-1/2 SS	4
5	36423	Washer - Flat 1/4 SS	4
6	42034	Nut - Lock 1/4-20NC SS	8

Electrical



Electrical

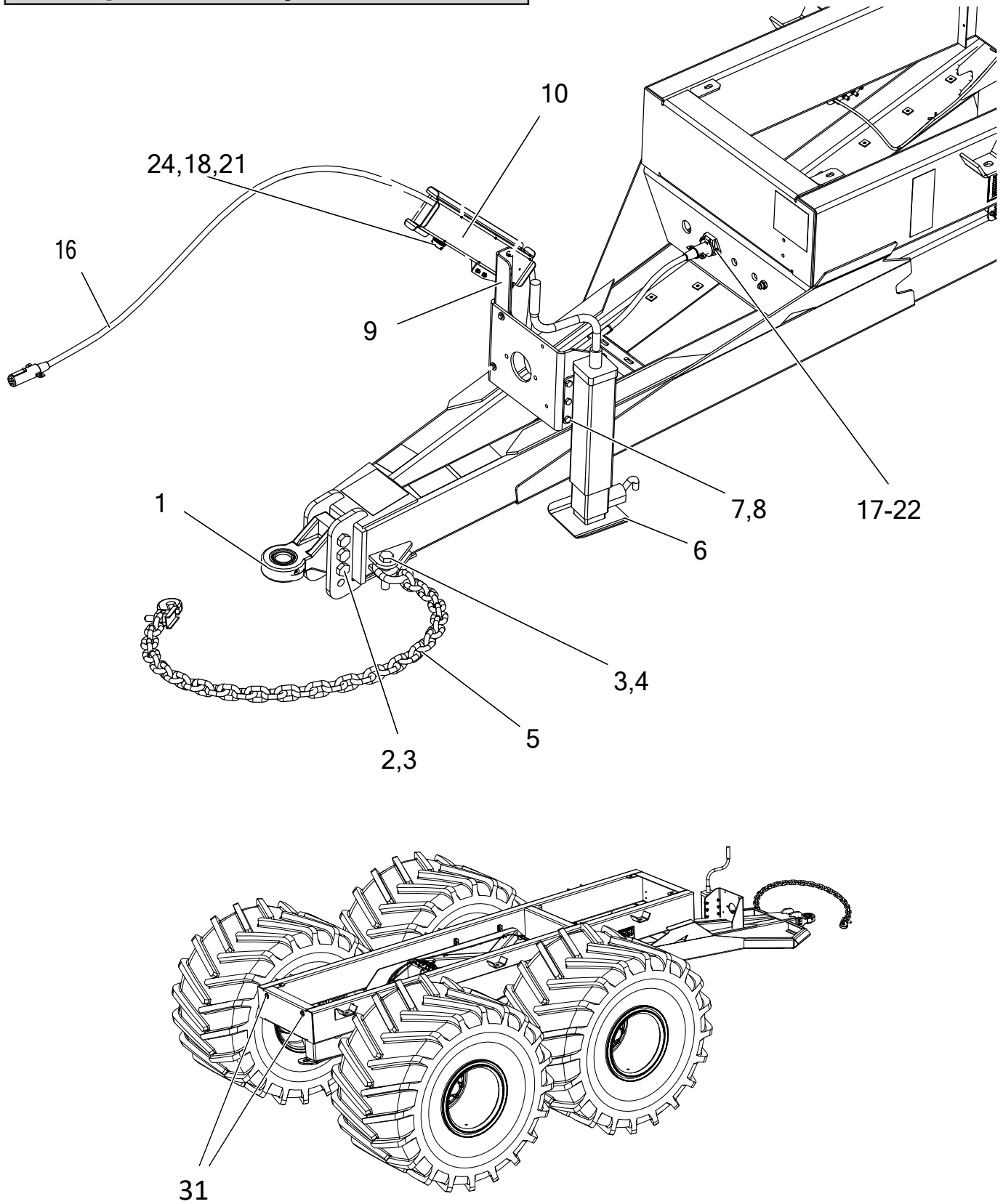




Electrical

<u>ITEM</u>	<u>PART NO.</u>	<u>DESCRIPTION</u>	<u>QTY</u>
1	312888	Cord - Connector 12'	1
2	312887	Plug - Stor A Way 7 Pole	1
3	20037	Capscrew - .313-18nc X 1.25	4
4	20643	Nut - Hex .313-18nc Zn	4
5	9011-0-7102	Receptacle - 7 Way Flush Mount	1
6	99674	Strap - Zip Tie 8 Black	57
7	313050	Receptacle - Assy	1
8	310648	Tie - Dual Clamp	5
9	9011-0-7103	Boot - Receptacle	1
10	20692	Washer - Flat .313 Zn	2
11	20711	Washer - Lock .313 Zn	2
12	312893	Harness - Tr3000	1
13	318430	Harness - Extension Isobus	1
14	317730	Nut - Panel Plastic Size 24hdp	1
15	317731	Washer - Lock Size 24 Hdp	1
16	318431	Harness - Implement Isobus	1

Tongue Assembly

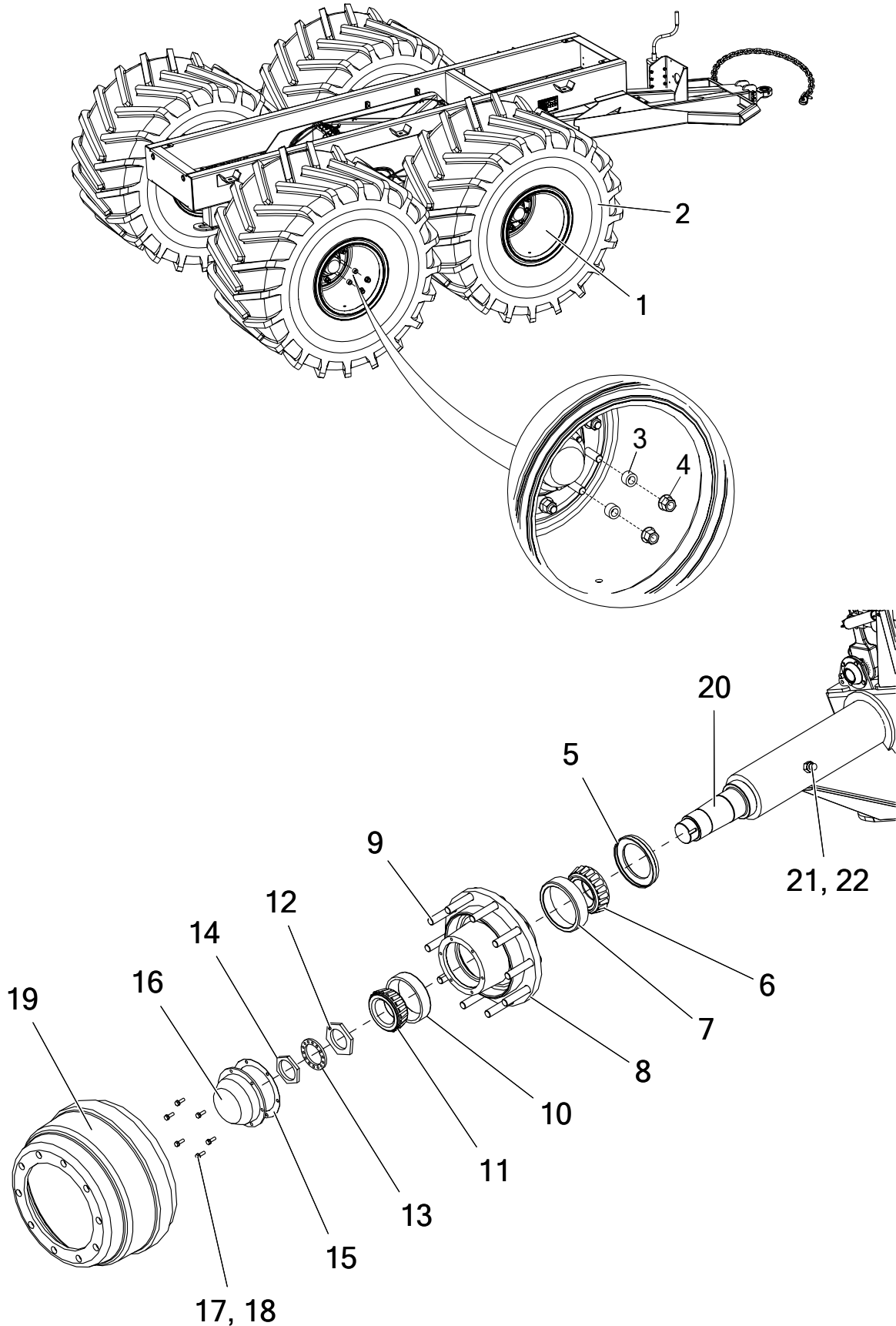


Tongue Assembly Cont.

<u>ITEM</u>	<u>PART NO.</u>	<u>DESCRIPTION</u>	<u>QTY</u>
1	314300	Hitch - Bull-Pull	1
2	89545	Cap Screw - 1-8NC x 7 GR8	3
3	20685	Nut - Lock 1-8NC	4
4	305702	Cap Screw - 1-8NC x 4-1/2 GR8	1
5	305420	Chain - Safety 60K	1
6	305678	Jack - Wldmt	1
7	20129	Cap Screw - 1/2-13NC x 1-1/2	6
8	20680	Nut - Lock 1/2-13NC	6
9	312885	Angle - Upright	1
10	312886	Channel - Hose Guide	1
11	20051	Cap Screw - 5/16-18NC x 4-3/4	2
12	20677	Nut - Lock 5/16-18NC	2
13	20318	Bolt - Carriage 3/8-16NC x 1	3
14	20678	Nut - Lock 3/8-16NC	
15	20068	Cap Screw - 3/8-16NC x 1-1/4	2
16	312888	Cord - Connector Lighting 12'	1
17	9011-0-7102	Receptacle - 7 Way Flush Mount	1
18	20037	Cap Screw - 5/16-18NC x 1-1/4	2
19	20711	Washer - Lock 5/16	2
20	20692	Washer - Flat 5/16	2
21	20643	Nut - Hex 5/16-18NC	2
22	9011-0-7103	Boot - Receptacle	1
23	*312893	Harness - Main TR3000	1
24	312887	Plug - Stor-A-Way 7 Pole	1
25	20003	Cap Screw - 1/4-20NC x 3/4	2
26	20676	Nut - Lock 1/4-20NC	2
27	313050	Receptacle - Assy Storage ISOBUS	1
28	99674	Tie - Wire	59
29	*312894	Harness - ISOBUS Implement Extension	1
30	*310648	Tie - Dual Clamp	5
31	21655	Grommet - Rubber	2

* - Not Shown

Wheel End & Tires



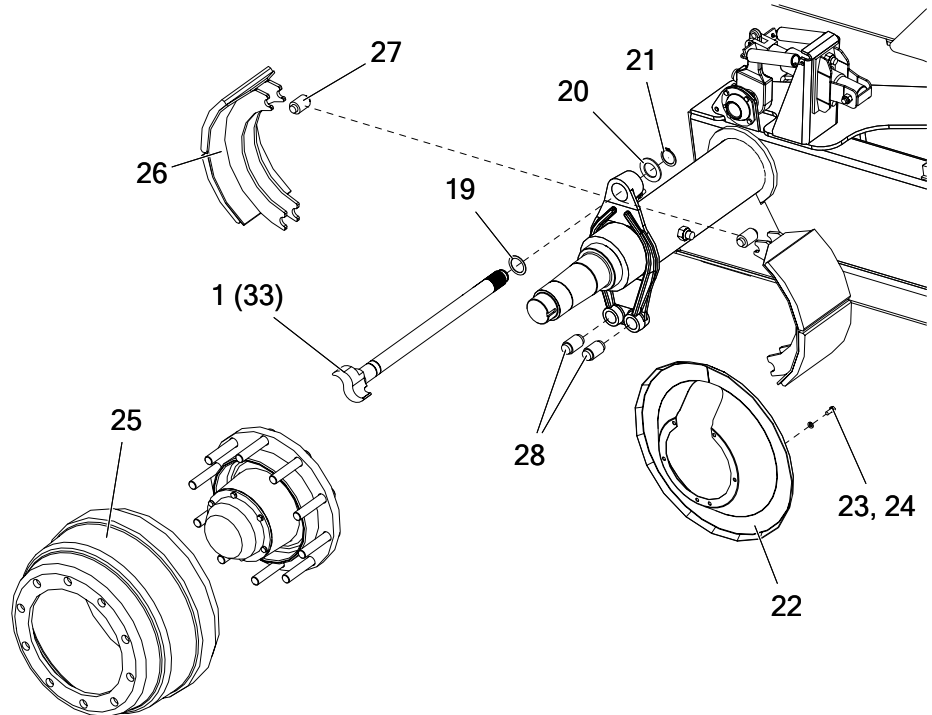
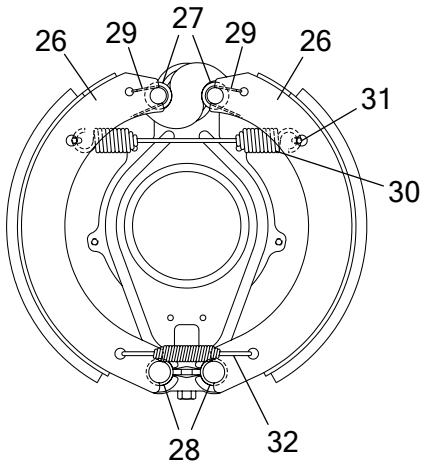
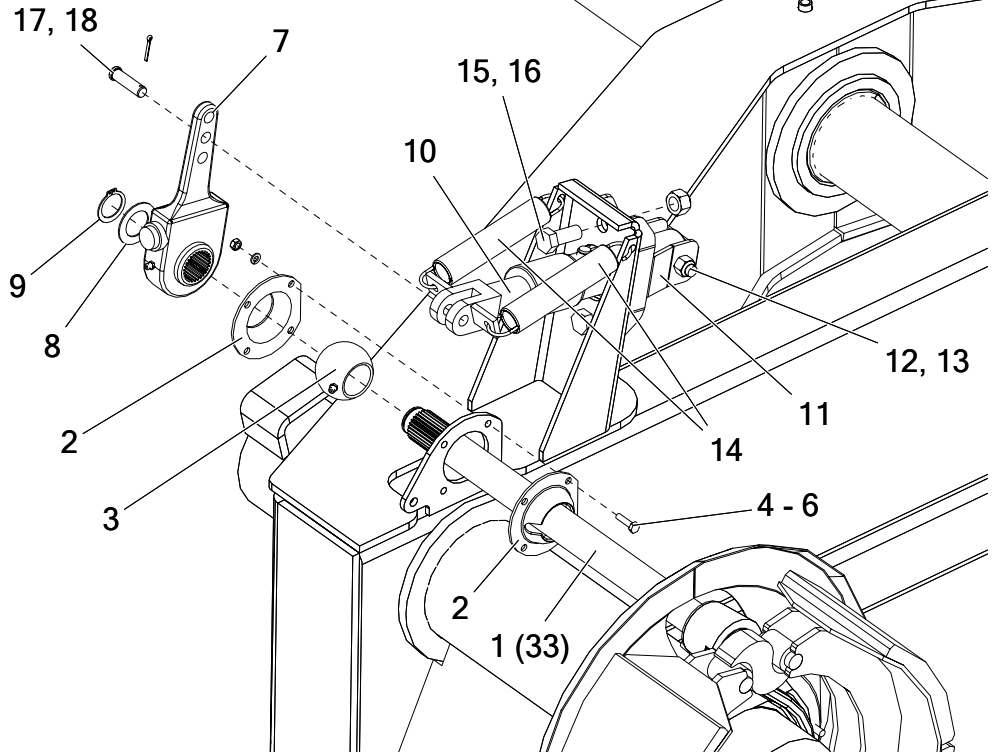
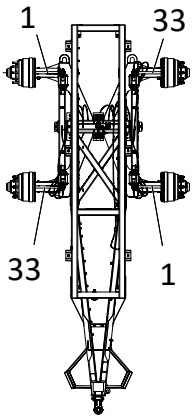
TR3000

Wheel End & Tires Cont.

ITEM	PART NO.	DESCRIPTION	QTY
	307279-AA	Tire - Assy Mounted Bias-Ply, LH	2
	307279-AB	Tire - Assy Mounted Bias-Ply, RH	2
	304926	Hub - Assy, Includes Items 4, 7-9, 10, 19	4
1	307280	Wheel - Rim 25 x 36 White	4
2	304929	Tire - Flotation 66 x 43-25	4
3	305794	Spacer - Wheel Bolt	40
4	304926-AD	Nut - Flange Swivel M22 x 1.5	40
5	304989	Seal - Grease	4
6	304936	Bearing - Inner Cone 759	4
7	304926-AE	Bearing - Race Inner	4
8	304926-AA	Hub	4
9	304926-AC	Stud	40
10	304926-AF	Bearing - Race Outer	4
11	304937	Bearing - Outer Cone 740	4
12	304938	Spindle Nut - Inner	4
13	304940	Washer - Spindle Lock	4
14	304939	Spindle Nut - Outer	4
15	304986	Gasket - Hub Cap	4
16	307283	Cap - Hub White	4
17	20036	Cap Screw - 5/16-18NC x 1	24
18	20711	Washer - Lock 5/16	24
19	304926-AB	Drum - Brake	4
20	304925	Spindle - A26	4
21	58560	Cap Screw - 3/4-10NC x 7	4
22	20683	Nut - Lock 3/4-10NC	4
23	*306671	Plug - Plastic Tapered	4

* - Not Shown

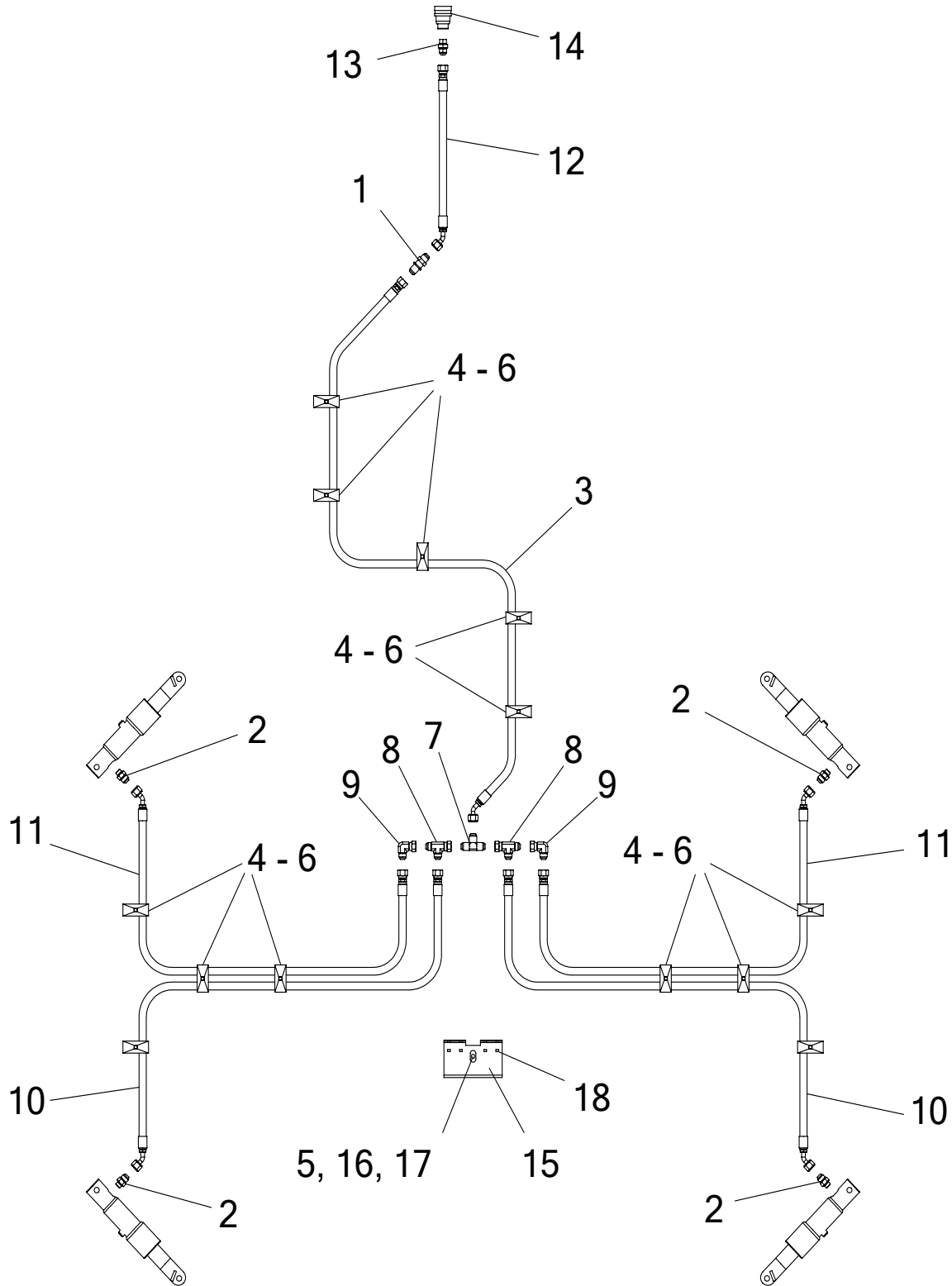
Hydraulic Brakes



Hydraulic Brakes Cont.

ITEM	PART NO.	DESCRIPTION	QTY
	304928	Brake Shoe - Assy, Includes Items 26 - 32	4
1	304934	Cam Shaft - RH	2
2	304932	Cover - Cam Bushing	8
3	304987	Bushing - Cam	4
4	20005	Cap Screw - 1/4-20NC x 1	16
5	20710	Washer - Lock 1/4	16
6	20642	Nut - Hex 1/4-20NC	16
7	304935	Slack Adjuster	4
8	304980	Spacer - Cam 1-1/4	4
9	304982	Snap Ring - 1-1/4	4
10	305358	Cylinder - Ram 1.5 x 3	4
11	305369	Mount - Wldmt Ram Brake	4
12	20135	Cap Screw - 1/2-13NC x 3	4
13	20680	Nut - Lock 1/2-13NC	4
14	305359	Spring - Ext	8
15	20175	Cap Screw - 5/8-11NC x 1-1/2	8
16	20682	Nut - Lock 5/8-11NC	8
17	21028	Pin - Clevis	4
18	20817	Pin - Cotter	4
19	304978	Spacer - Cam 1-1/4	4
20	304979	Spacer - Cam 1-1/2	4
21	304981	Snap Ring - 1-1/2	4
22	304984	Dust Shield	4
23	20034	Cap Screw - 5/16-18NC x 3/4	24
24	20711	Washer - Lock 5/16	24
25	304926-AB	Drum - Brake	4
26	304928-AA	Brake - Shoe	8
27	304928-AB	Roller	8
28	304928-AD	Pin - Anchor	8
29	304928-AC	Retainer - Roller	8
30	304928-AF	Spring - Return	4
31	304928-AE	Retainer - Spring Return	8
32	304928-AG	Spring - Retainer	4
33	304933	Cam Shaft - LH	2

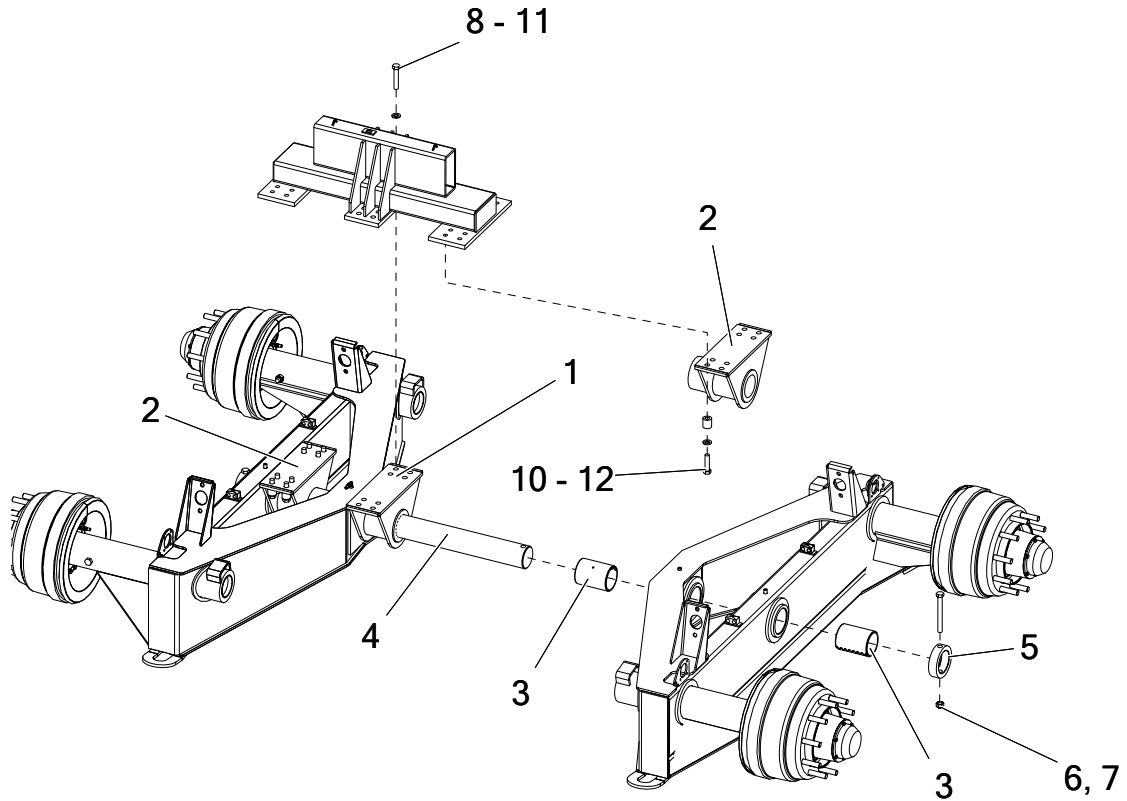
Hydraulic Brakes Cont.



Hydraulic Brakes Cont.

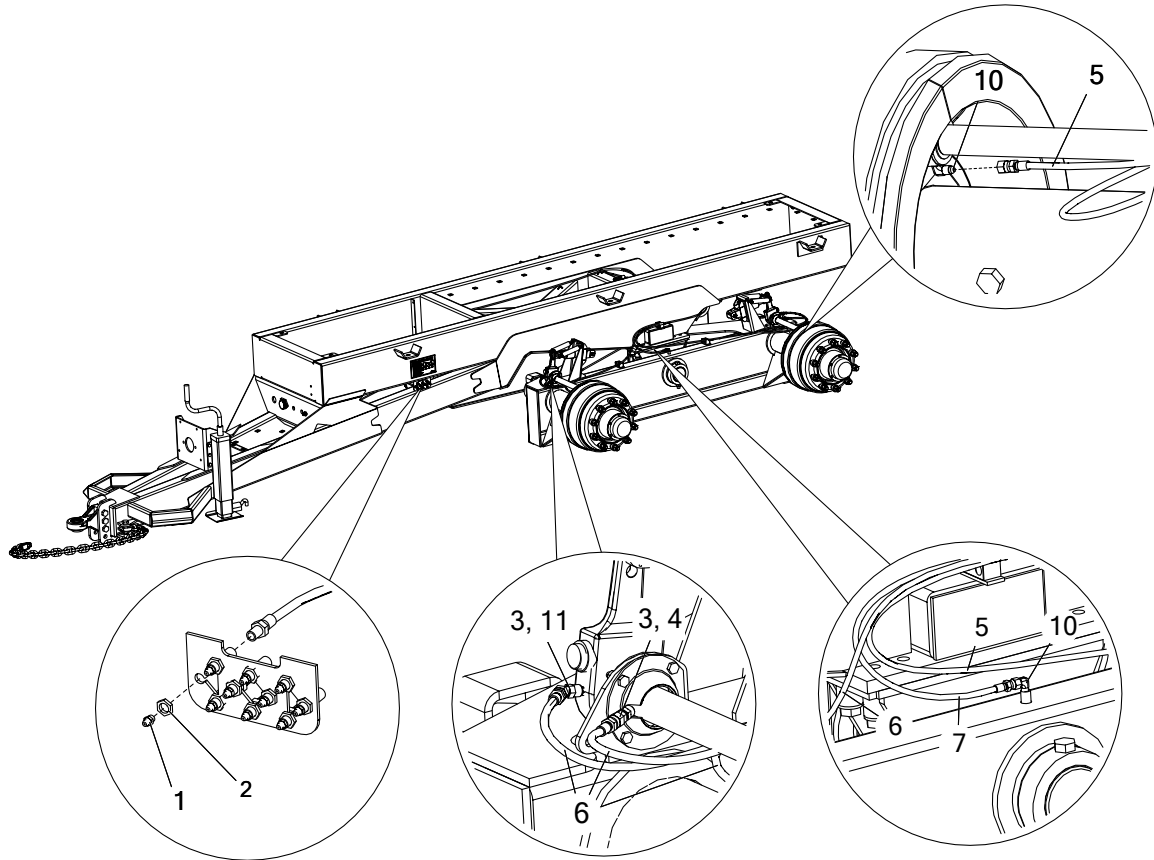
ITEM	PART NO.	DESCRIPTION	QTY
1	34839	Fitting - 8-8 070601	1
2	34809	Fitting - 8-6 070120	4
3	305408	Hose - Assy SAE 6 100R1 x 124	1
4	305410	Clamp - Tubing Twin 5/8 SS	13
5	20711	Washer - Lock 3/8	14
6	20038	Cap Screw - 5/16-18NC x 1-1/2	13
7	86419	Fitting - 8-8-8 070401	1
8	34804	Fitting - 8-8-8 070432	2
9	34803	Fitting - 8-8 070221	2
10	305409	Hose - Assy SAE 6 100R1 x 96	2
11	306049	Hose - Assy SAE 6 100R1 x 84	2
12	307304	Hose - Assy SAE 6 100R1 x 132	1
13	306050	Fitting - 8-18 x 1.5 070187	1
14	305416	Coupling - Disconnect	1
15	306058	Bracket - Fitting Bulkhead	1
16	20692	Washer - Flat 5/16	1
17	20032	Cap Screw - 5/16-18NC x 1/2	1
18	99674	Tie - Wire	4

Walking Beam Suspension



ITEM	PART NO.	DESCRIPTION	QTY
1	305663	Hanger - Wldmt Center	1
2	305664	Hanger - Wldmt Side	2
3	309351	Bushing - Walking Beam	4
4	309350	Shaft - Pivot	1
5	304991	Retainer - Pivot	2
6	58560	Cap Screw - 3/4-10NC x 7	2
7	20683	Nut - Hex 3/4-10NC	2
8	303692	Cap Screw - 3/4-10NC x 4 GR8	8
9	97015	Nut - Hex 3/4-10NC GR8	8
10	34579	Washer - Flat 3/4 Hardened	24
11	305795	Spacer - Bolt	24
12	89538	Cap Screw - 3/4-10NC x 3 GR8	16

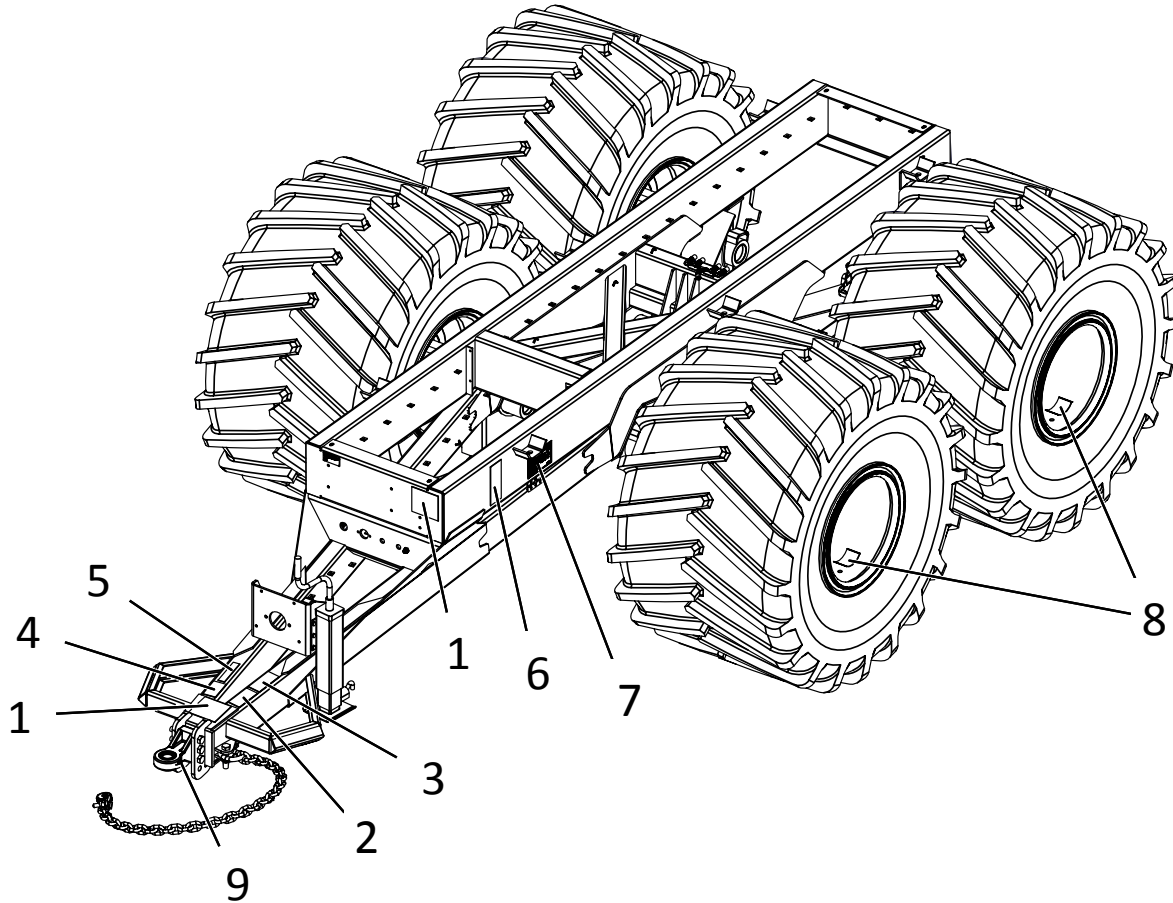
Lubrication



ITEM	PART NO.	DESCRIPTION	QTY
1	6072	Zerk - Grease	19
2	310471	Nut - Bulkhead	19
3	34798	Adapter - Zerk	8
4	34787	Adapter - NPT to JIC	4
5	310472	Hose - Assy 1/8 x 204, to Rear Wheel	6
6	310473	Hose - Assy 1/8 x 186, to Front Wheel	6
7	310474	Hose - Assy 1/8 x 156, to Outer Walking Beam	2
8	310476	Hose - Assy 1/8 x 132, to Hanger	3
9	*310477	Hose - Assy 1/8 x 126, to Inner Walking Beam	2
10	34734	Adapter - Elbow 90°	11
11	34735	Fitting - 4-2 070302	4
12	*99674	Tie - Wire	40

* - Not Shown

Decals



ITEM	PART NO.	DESCRIPTION	QTY
1	305281	Decal - Caution, Braking Requirements	2
2	313858	Decal - Caution, Towing Requirements	1
3	305289	Decal - Caution, Tipping Hazard	1
4	305298	Decal - Caution, Weight Restrictions	1
5	39017	Decal - No Step	1
6	305275	Decal - Trailer Tire Speed	2
7	310450	Decal - Lubrication Chart	2
8	305745	Decal - Notice, Wheel Lug Tightening	4
9	305239	Decal - Grease	2

NOTE: Refer to "Safety Decals" and "Informational Decals" in Safety section of operator's manual for details.