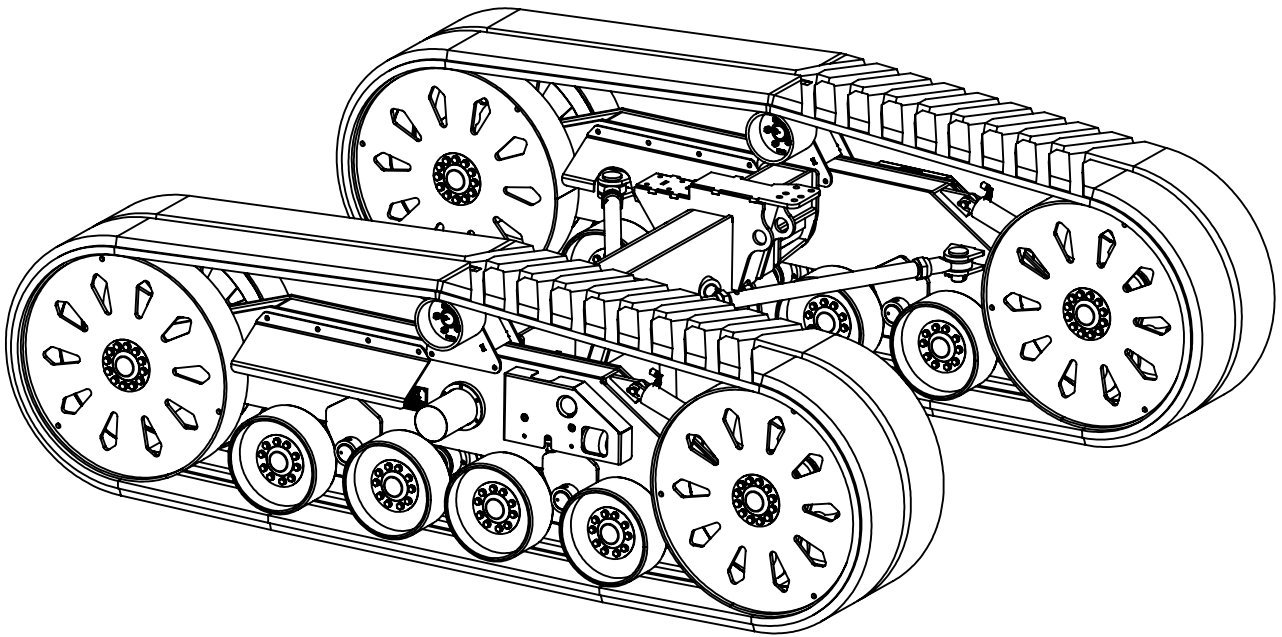


# VIMCOR TRACK SYSTEM SPARE PARTS LIST



## MODEL NUMBER

55T-SM-V2

55 Ton per pair rating  
shaft mounted

35T-HM-V1

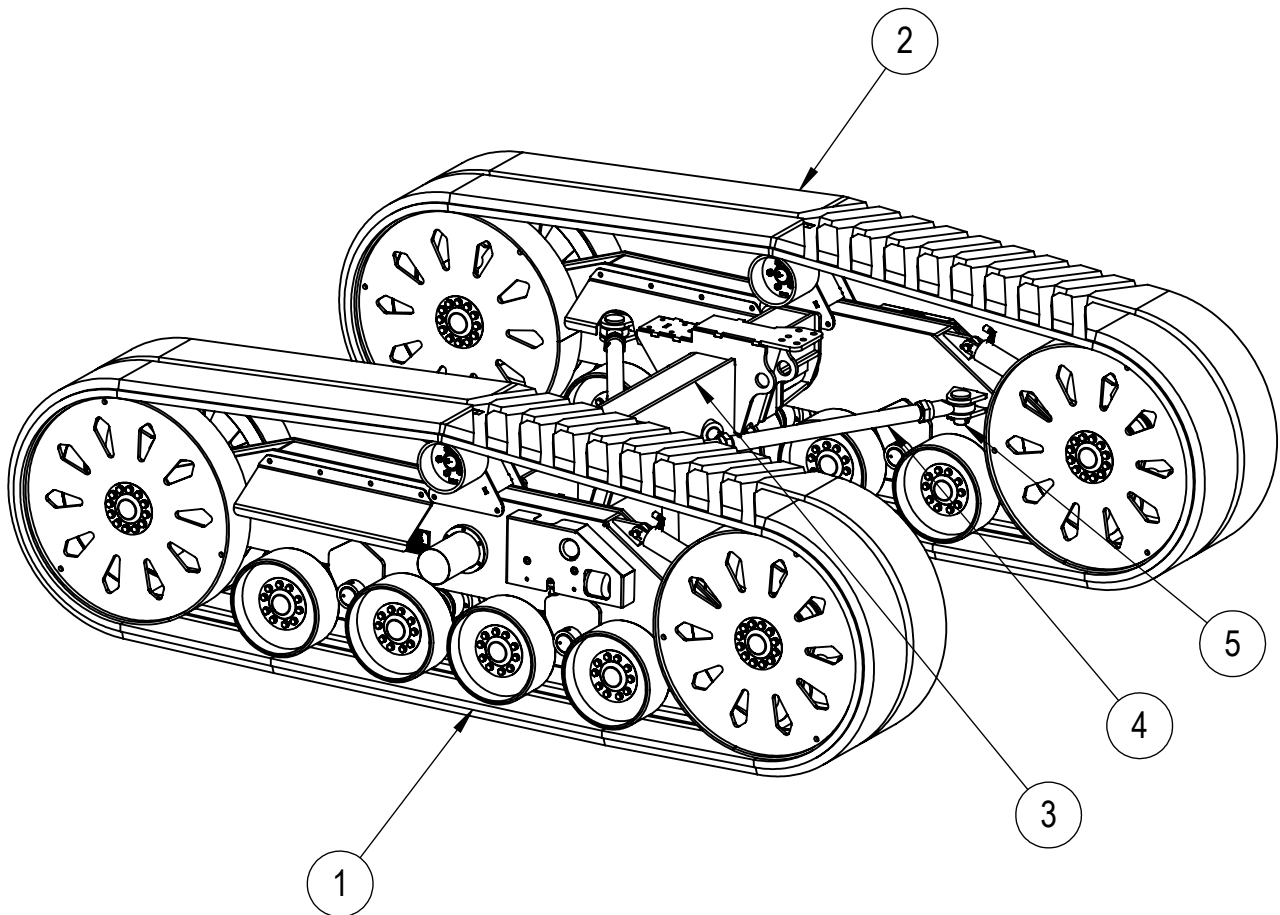
35 Ton per pair rating  
12 stud hub mounting

30T-HM-V1

30 Ton per pair rating  
10 stud hub mounting

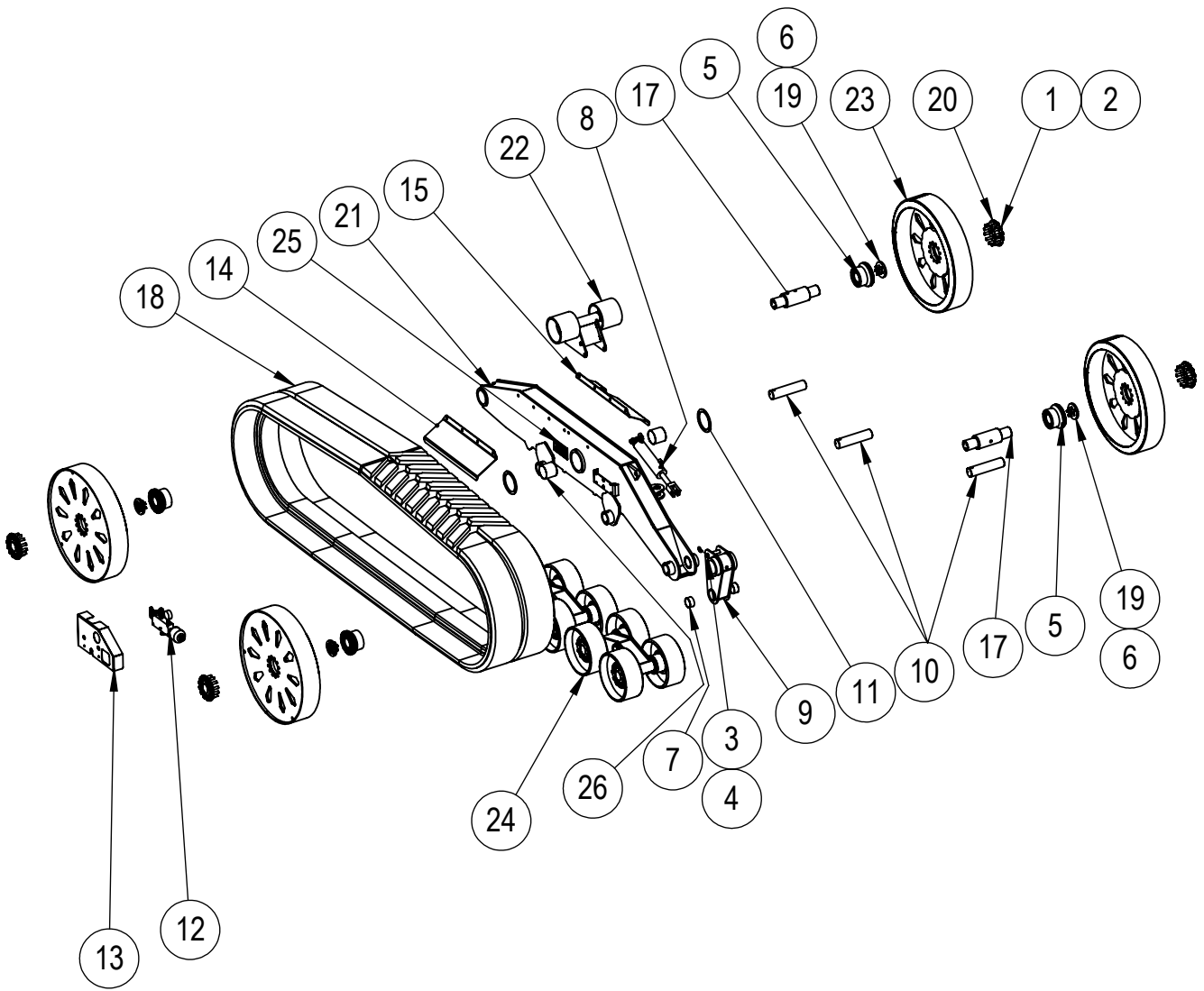
**VIMCOR**  
**TRACK SYSTEMS**

# 55T-SM-V2 AXLE ASSEMBLY



ITEM NO.	PART NUMBER	DESCRIPTION	QTY.	PAGE
1	4029104 4029100	55T-SM-V2 24" RH TRACK ASSEMBLY 55T-SM-V2 36" RH TRACK ASSEMBLY	1	3
2	4029105 4029101	55T-SM-V2 24" LH TRACK ASSEMBLY 55T-SM-V2 36" LH TRACK ASSEMBLY	1	3
3	4004007	AXLE FOR 55T-SM-V2 TRACKS	1	
4	4029017	CONNECTION ROD FOR V2	4	
5	4004006-01	PIN	4	

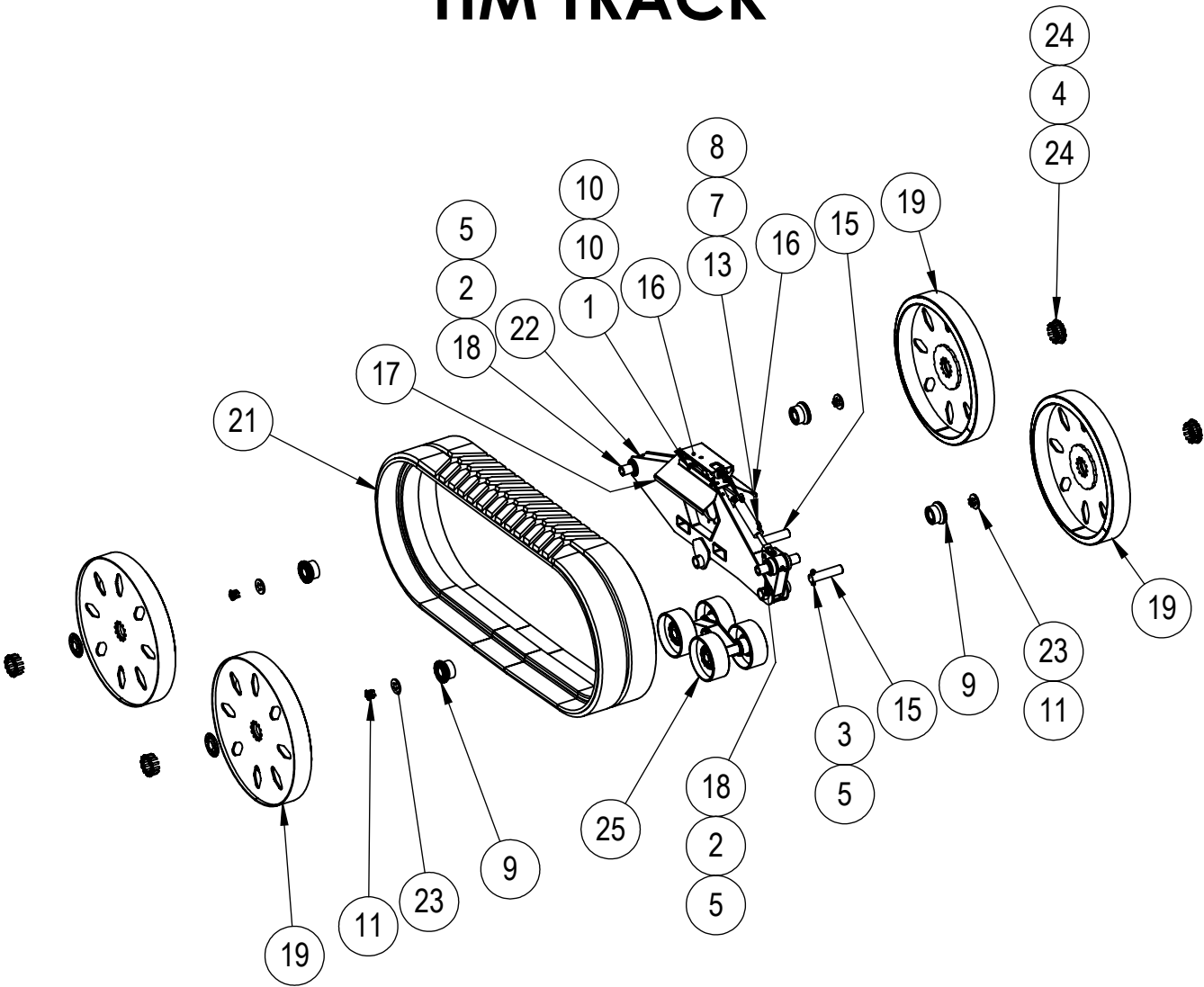
# 55T-SM-V2 TRACK



# 55T-SM-V2 TRACK MATERIAL

ITEM NO.	PART NUMBER	DESCRIPTION	QTY.	PAGE
1	133-4142	M18 x 65 HEX BOLT 1.5 TREAD ZINC GR8.8	48	
2	135-3044	M18 SAFETY WASHER 394 ST/STEEL	48	
3	140-0004	PIN CLEVIS 1" 115mm CAT 2 TOP	1	
4	140-0037	LYNCH PIN 6MM 32MM	1	
5	161-1002	BEARING AND HUB 12 STUD 82MM AXLE	4	
6	202-0122	M16 x 50 HEX FLANGE BOLT ZINC GR 8.8	20	
7	202-0130	BUSH ID 75, OD 80, Length 40	2	
8	202-0136	HYD CYLINDER PTE 2.5" x 8"	1	
9	4029009	ADJUSTMENT LEVER	1	
10	4029020-02	BOGIE PIN	3	
11	4029030-01	BEARING RETAINING RING	2	
12	4029032	SM-V1 AND V2 HYDRAULIC SYSTEM	1	
13	4029035 4029036	SM HYDRAULIC COVER RH SM HYDRAULIC COVER LH	1	
14	4029037-02 4029030-03	24" MUD DEFLECTOR OUTER 36" MUD DEFLECTOR OUTER	1	
15	4029037-03 4029030-02	24" MUD DEFLECTOR INNER RH 36" MUD DEFLECTOR INNER RH	1	
16	4029037-04 4029030-04	24" MUD DEFLECTOR INNER LH 36" MUD DEFLECTOR OUTER LH	1	
17	4029043-03	IDLER WHEEL AXLE 55T-SM-V2	2	
18	4029055 4029003	DAVIMAC TRACK 348"x24" TGGC DAVIMAC TRACK 348"x36" TJGC	1	
19	4029060-04	WHEEL BEARING RETAINING PLATE	4	
20	4029100-01	HUB CAP IDELER WHEEL	4	
21	4029102 4029103	55T-SM-V2 FRAME RH 55T-SM-V2 FRAME LH	1	
22	4029111	24" AND 36" SM TOP TENSION WHEEL (SM-V1 AND V2)	1	
23	4029114 4029110	24" IDLER WHEEL 55T-SM-V2 36" IDLER WHEEL 55T-SM-V2	4	
24	4029115 4029063	24" BOGIE ASSEMBLY V2 36" BOGIE ASSEMBLY V2	2	
25	4035000	TAG TRACK SYSTEM	1	
26	202-0129	BUSH ID 110, OD 115, LENGTH 100	2	

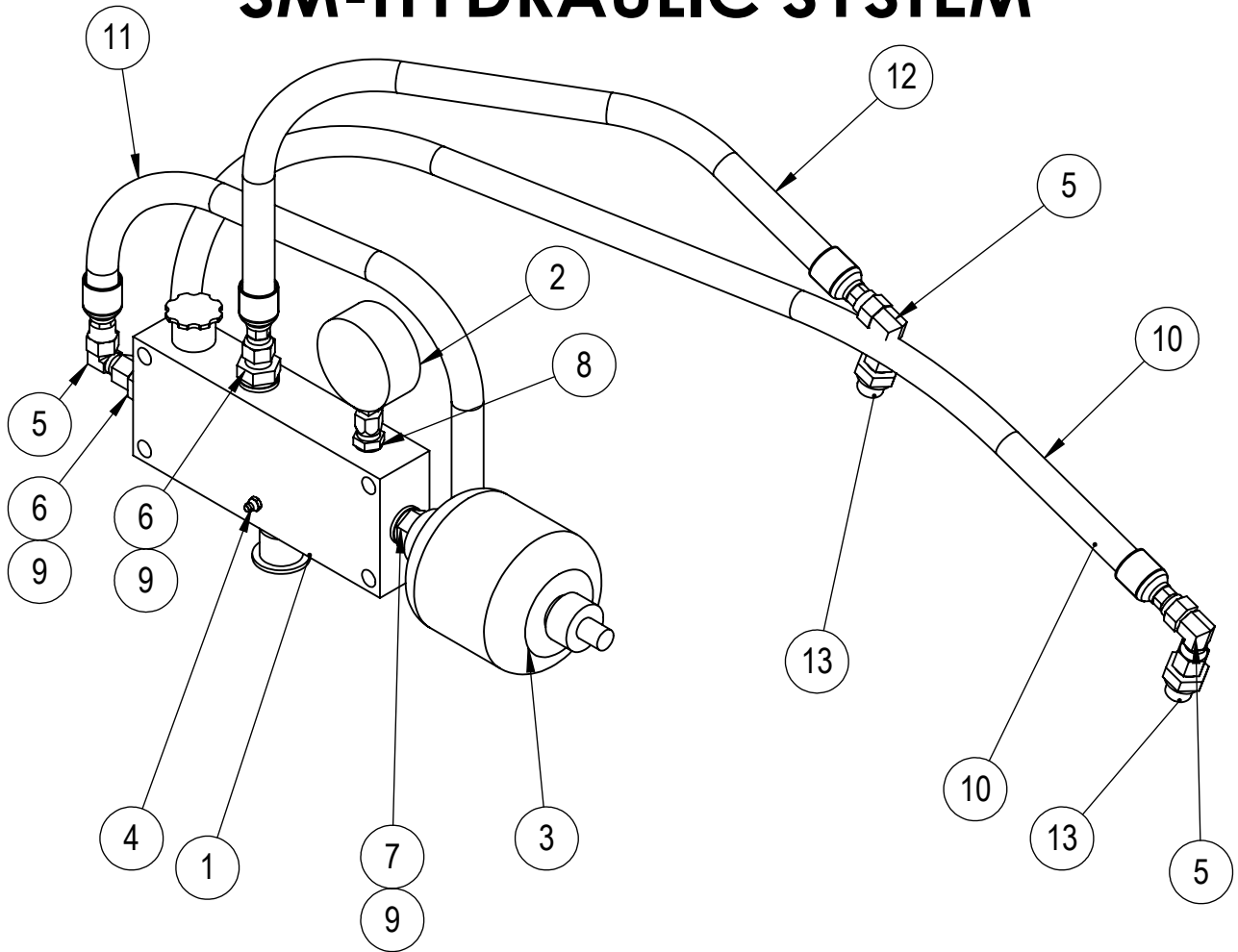
# HM TRACK



# HM TRACK MATERIAL

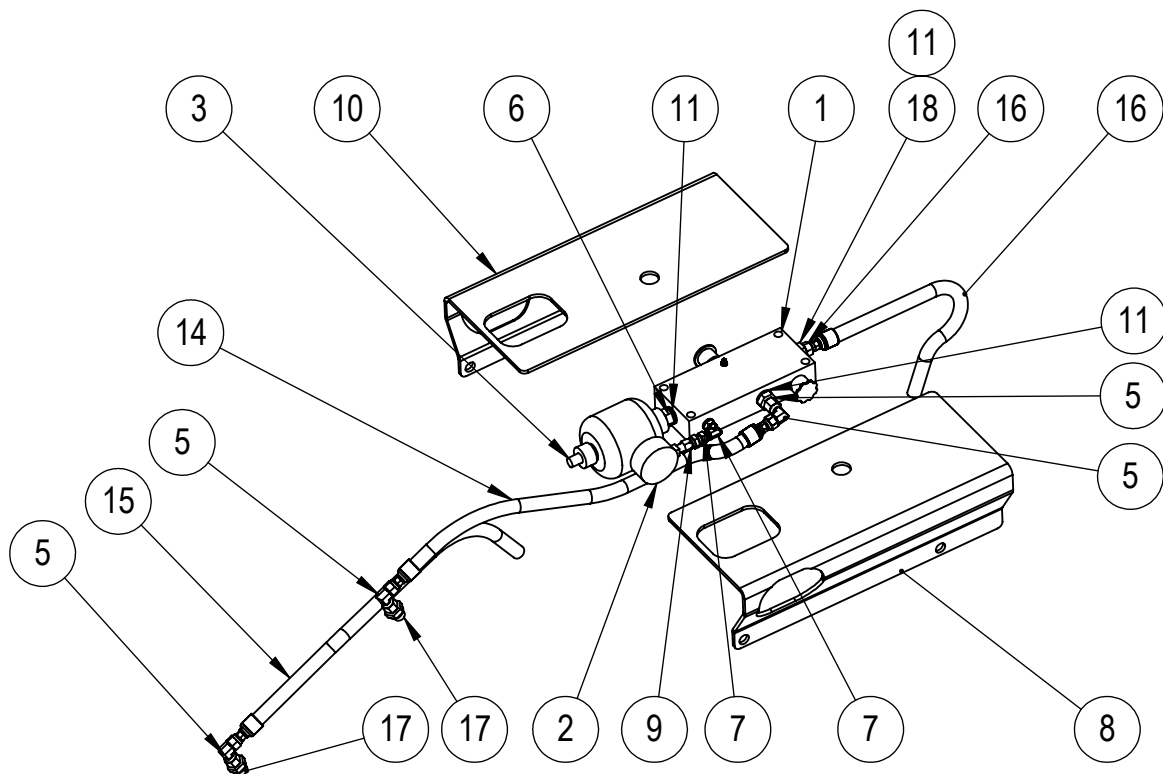
ITEM NO.	PART NUMBER	DESCRIPTION	QTY	PAGE
1	133-4087	M16 x 65 HEX BOLT ZINC GR8.8	4	
2	133-4120	M20 x 200 HEX BOLT ZINC GR8.8	2	
3	133-4126	M20 x 130 HEX BOLT ZINC GR8.8	2	
4	133-4142	M18 x 65 HEX BOLT 1.5 TREAD ZINC GR8.8	48	
5	134-1046	M20 HEX NYLOCK NUT ZINC PLATED GR 8.8	4	
6	135-3044	M18 SAFETY WASHER 394 ST/STEEL	48	
7	140-0004	PIN CLEVIS 1" 115mm CAT 2 TOP	1	
8	140-0039	LINCH PIN 11mm 32mm	1	
9	161-1002	BEARING AND HUB 12 STUD 82MM AXLE	4	
10	202-0120	M16 HEX NUT ZINC FLANGE GR 8.8	4	
11	202-0122	M16 x 50 HEX FLANGE BOLT ZINC GR 8.8	20	
12	202-0130	BUSH ID 75, OD 80, Length 40	2	
13	202-0136	HYD CYLINDER PTE 2.5" x 8"	1	
14	4029009	ADJUSTMENT LEVER	1	
15	4029020-02	BOGIE PIN	2	
16	4029043-01 4029053-01	MUD DEFLECTOR 24" OUTER MUD DEFLECTOR 36"	1	
17	4029043-02 4029053-02	MUD DEFLECTOR 24" INNER MUD DEFLECTOR 36"	1	
18	4029043-03	IDLER WHEEL AXLE 55T-SM-V2	2	
19	4029044 4029054	HM 24" IDLER WHEEL HM 36" IDLER WHEEL	4	
20	4029051	HM HYDRAULIC SYSTEM	1	
21	4029055 4029003	DAVIMAC 348" x 24" TGGC DAVIMAC 348" x 36" TJGC	1	
22	4029058 4029047	30T-HM-FRAME 35T-HM-FRAME	1	
23	4029060-04	WHEEL BEARING RETAINING PLATE	4	
24	4029100-01	HUB CAP IDELER WHEEL	4	
25	4029115 4029063	24" BOGIE ASSEMBLY (SM-V2 AND HM-V1) 36" BOGIE ASSEMBLY (SM-V2 AND HM-V1)	1	
26	4035000	TAG TRACK SYSTEM	1	

# SM-HYDRAULIC SYSTEM



ITEM NO.	PART NUMBER	DESCRIPTION	QTY	PAGE
1	154-4327	TRACK HYDRAULIC MANIFOLD	1	
2	154-4328	PRESSURE GAUGE RG01-250	1	
3	154-4326	STAUFF DIAPHRAGM ACCUMULATOR 0.5L	1	
4	154-4075	GREASE NIPPLE 1/8" B.S.P.	2	
5	154-4077	ELBOW JIC 3/4" F JIC 3/4" M	3	
6	202-0047	BSPP O RING 1/2 TO JIC 3/4	2	
7	154-4232	BSP 1/2 TO BSPP O RING 1/2	1	
8	154-4330	ADAPTOR GAUGE FITTING	1	
9	202-0196	DOWTY SEAL D-08 1/2-14	3	
10	4029070	BREATHER PIPE	1	
11	4029071	DRAIN PIPE	1	
12	4029072	CONNECTOR PIPE	1	
13	154-0019	FITTING ADAPTOR, JIC 3/4", UNO 3/4"	2	

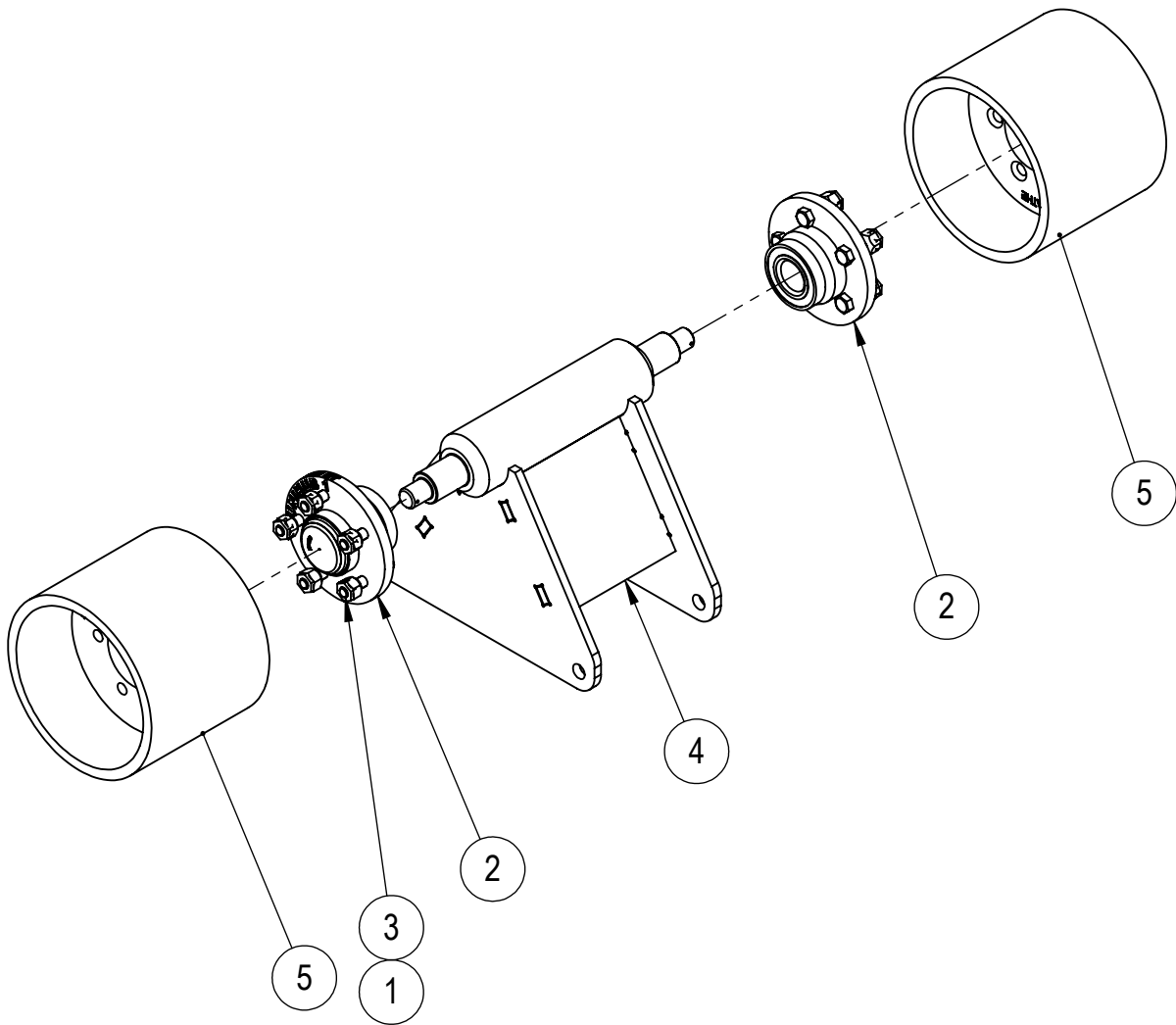
# HM-HYDRAULIC SYSTEM



ITEM NO.	PART NUMBER	DESCRIPTION	QTY	PAGE
1	154-4327	TRACK HYDRAULIC MANIFOLD	1	
2	154-4328	PRESSURE GAUGE RG01-250	1	
3	154-4326	STAUFF DIAPHRAGM ACCUMULATOR 0.5L	1	
4	154-4075	GREASE NIPPLE 1/8" B.S.P.	2	
5	154-4077	ELBOW JIC 3/4" F JIC 3/4" M	3	
6	154-4232	BSP 1/2 TO BSPP O RING 1/2	1	
7	154-4331	BSPP O RING MALE BSPP FEMALE SWIVEL 90° ELBOW	1	
8	4029051-02	LH SIDE COVER	1	
9	154-4330	ADAPTOR GAUGE FITTING	1	
10	4029051-03	RH SIDE COVER	1	
11	202-0196	DOWTY SEAL D-08 1/2-14	3	
12	154-0010	3/8" HOSE 3/8" TAIL	1	
13	202-1065	HOSE FERRULE 3/8" SFBN-06	2	
14	4029073	CONNECTOR PIPE	1	
15	4029074	BREATHER PIPE	1	
16	4029075	DRAIN PIPE	1	
17	154-0019	FITTING ADAPTOR, JIC 3/4", UNO 3/4"	2	
18	202-0047	BSPP O RING 1/2 TO JIC 3/4	1	
19	202-1066	BSPP O RING 1/2 TO JIC 9/16	1	

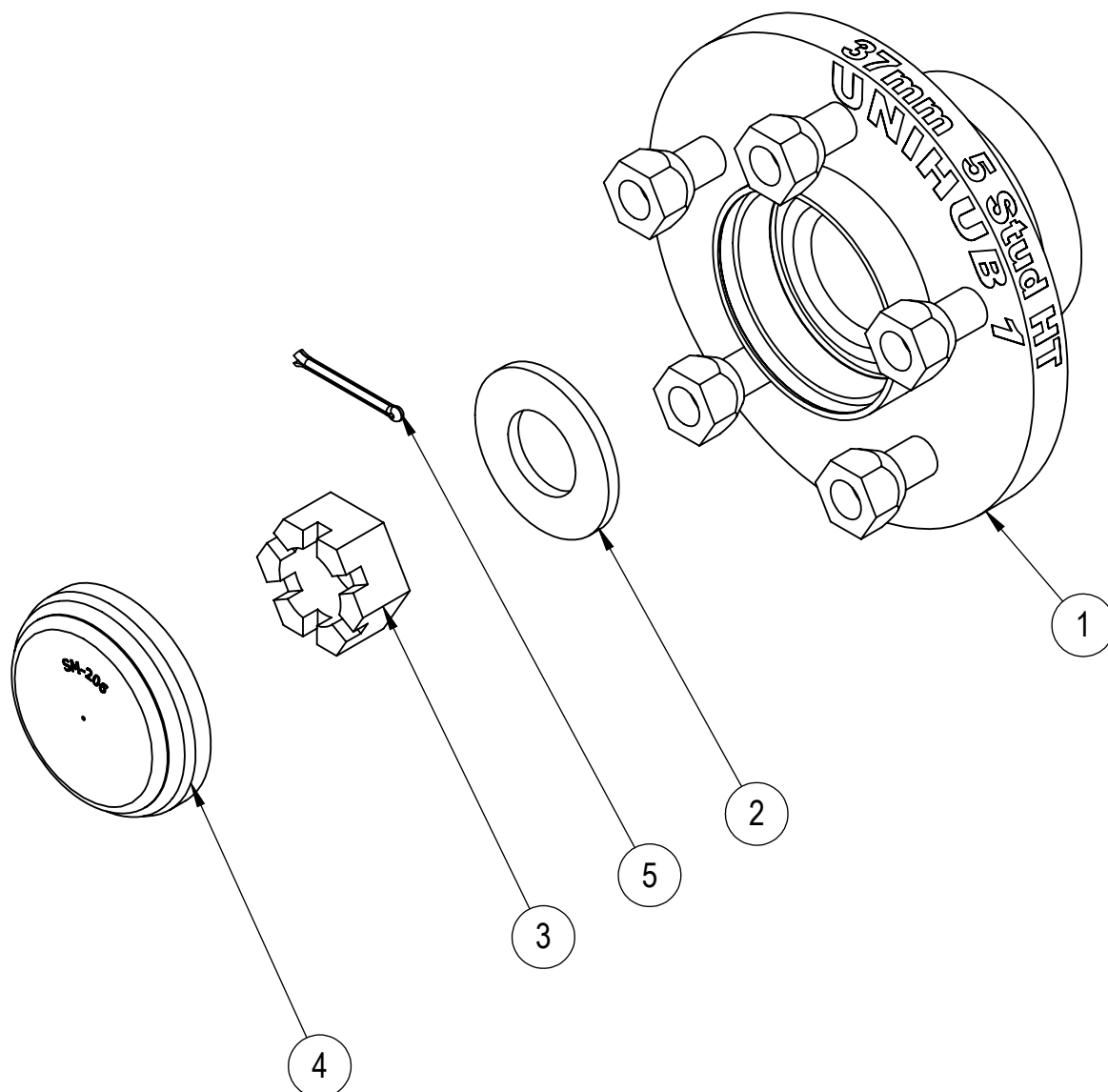


# TOP IDLER ASSY



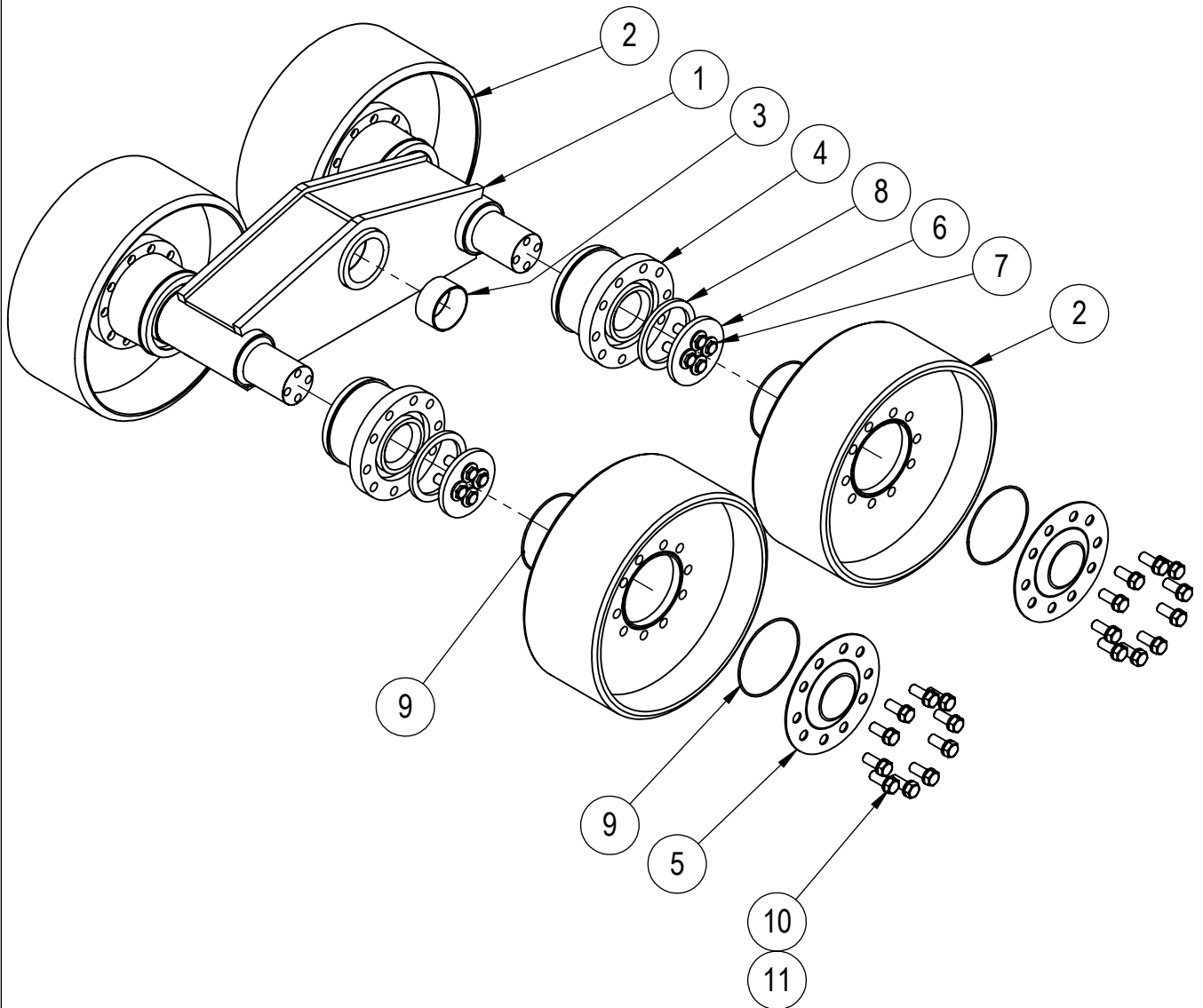
ITEM NO.	PART NUMBER	DESCRIPTION	QTY	PAGE
1	139-1036	M12 x 1.5 THREAD WHEEL NUT	10	
2	161-0001	UNI HUB 1 ASSEMBLY	2	
3	202-0149	M12 x 45 HEX BOLT 1.5 TREAD ZINC GR8.8	10	
4	4029112	TOP IDLER WHEEL FRAME	1	
5	4029113	TOP IDLER WHEEL	2	

# UNI HUB 1



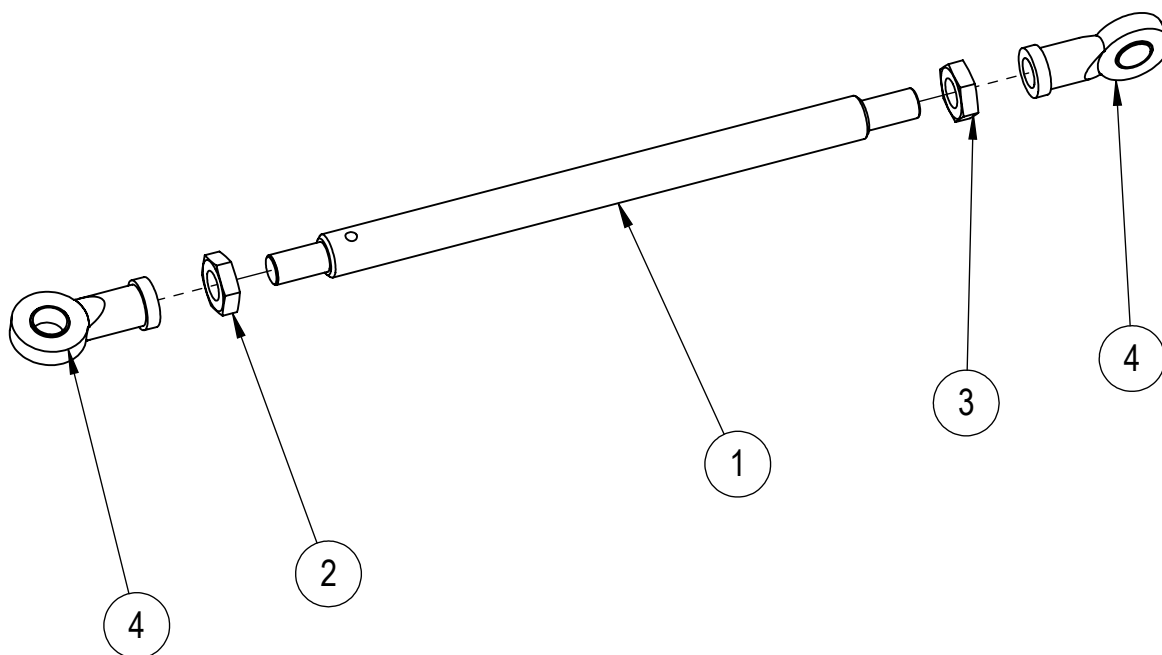
ITEM NO.	PART NUMBER	DESCRIPTION	QTY	PAGE
1	161-0120	UNI-HUB 1 37mm BEARING HUB	1	
2	161-0121	UNI-HUB 1 BEARING WASHER	1	
3	161-0113	M24 CASTLE NUT FINE THREAD 2	1	
4	161-0112	UNI HUB 3 HUB CAP	1	
5	139-4202	PIN SPLIT 3.2mm x 32mm	1	
6	139-1036	WHEEL NUT 10 x 1.5	5	

# BOGIE ASSEMBLY



ITEM NO.	PART NUMBER	DESCRIPTION	QTY	PAGE
1	4029116 4029061	24" BOGIE FRAME 36" BOGIE FRAME	1	
2	4029062 4029064	24" BOGIE WHEEL 36" BOGIE WHEEL	4	
3	202-0130	BUSH ID 75, OD 80, Length 40	2	
4	161-1001	BEARING AND HUB 10 STUD 70MM AXLE	4	
5	4029036-02	HUB CAP	4	
6	4029115-01	BOGIE HUB RETAINER	4	
7	202-0122	M16 x 50 HEX FLANGE BOLT ZINC GR 8.8	16	
8	680-4003	FELT SEAL 124x100x8 FIRM WHITE	4	
9	680-4002	O RING	8	
10	133-4140	M16 x 40 HEX BOLT 1.5 TREAD ZINC GR8.8	40	
11	135-3043	M16 SAFETY WASHER 394 ST/STEEL	40	

# CONNECTION ROD



ITEM NO.	PART NUMBER	DESCRIPTION	QTY	PAGE
1	4029017-01	STABILIZER ARM (SM-V2)	1	
2	134-4106	M45x3mm RH NUT HEX	1	
3	134-4107	M45x3mm LH NUT HEX	1	
4	202-3005		2	