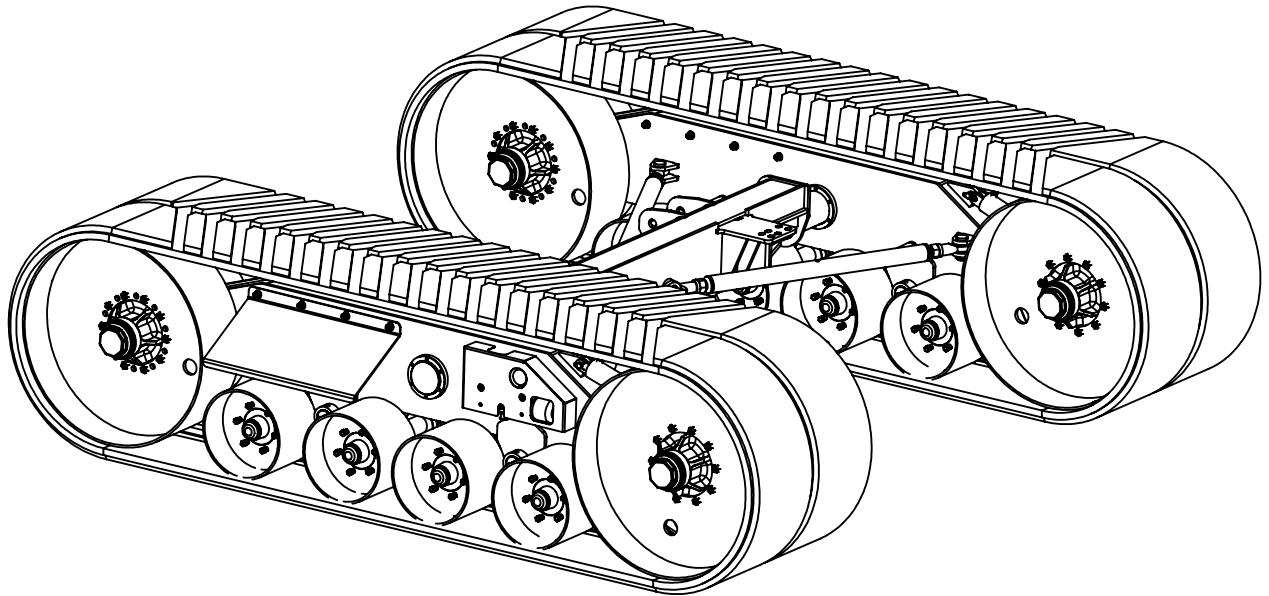


# VIMCOR TRACK SYSTEM SPARE PARTS LIST



## MODEL NUMBER

**55T-SM-V1**

**55 Ton per pair rating  
shaft mounted**

**35T-HM-V1**

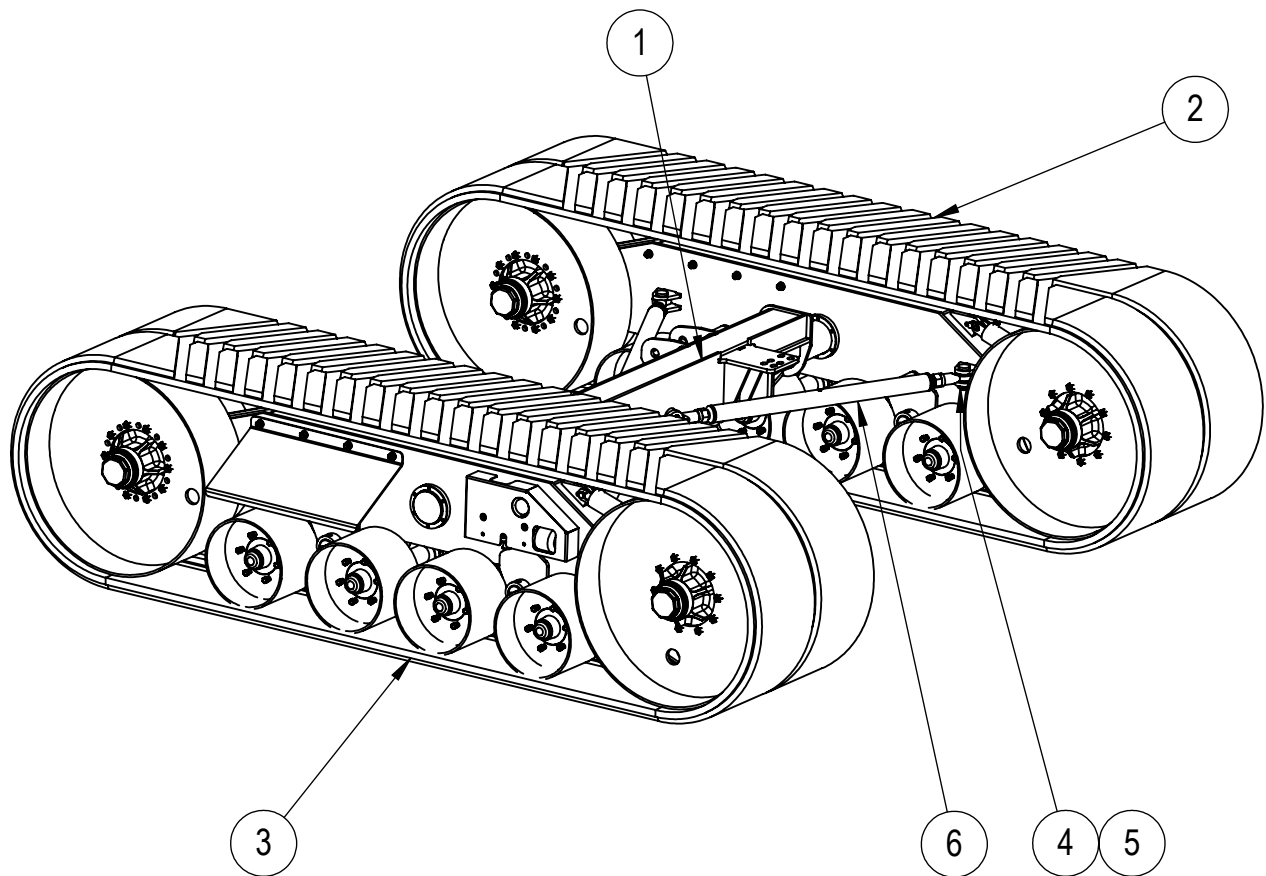
**35 Ton per pair rating  
12 stud hub mounted**

**30T-HM-V1**

**30 Ton per pair rating  
10 Stud hub mounted**

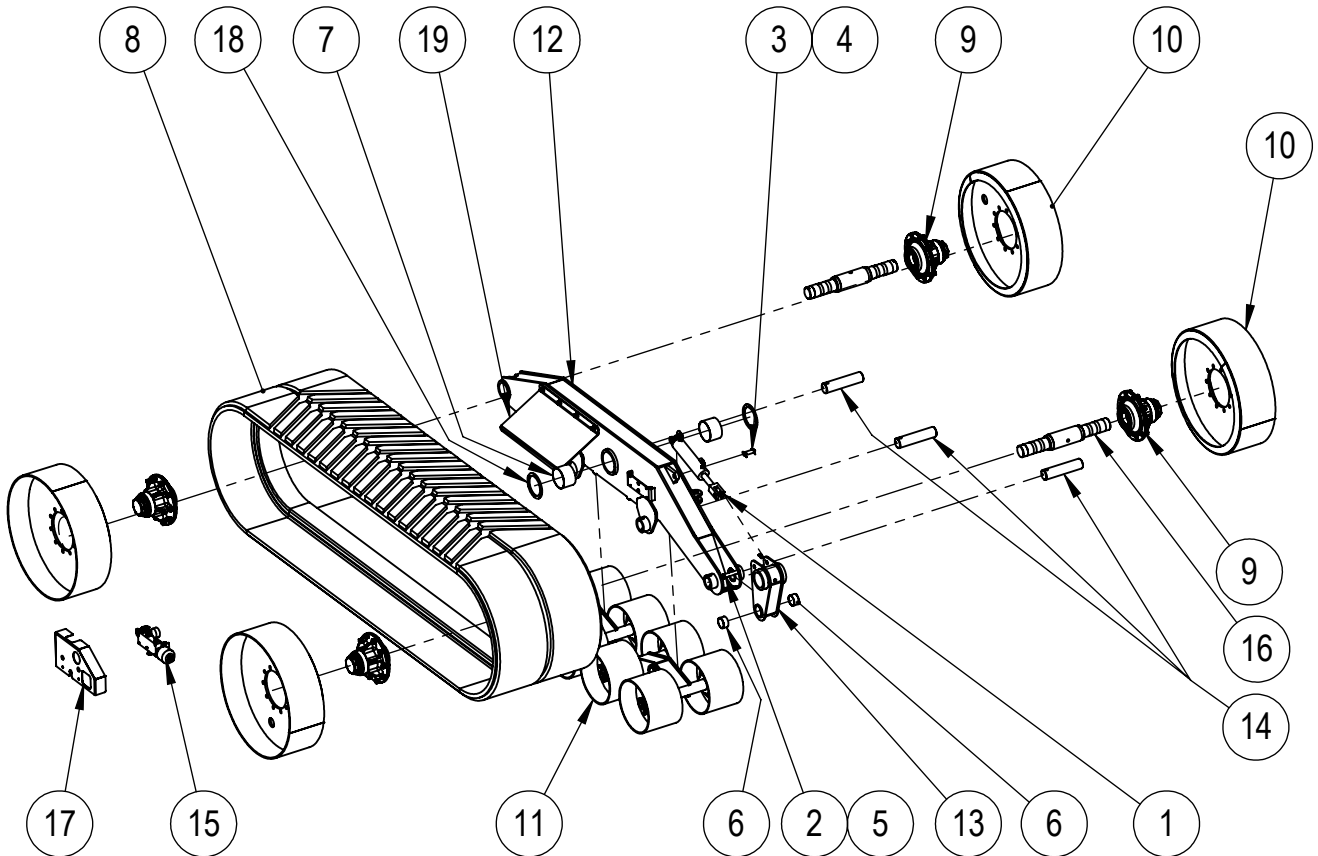
**VIMCOR**  
**TRACK SYSTEMS**

# 55T-SM-V1 TRACK AND



ITEM NO.	PART NUMBER	DESCRIPTION	QTY	PAGE
1	4004133	AXEL FOR 55T-SM-V1 TRACKS	1	-
2	4029030 4029038	55T-SM-V1 36" LH TRACK ASSEMBLY 55T-SW-V1 24" LH TRACK ASSEMBLY	1	2
3	4029031 4029037	55T-SM-V1 36" RH TRACK ASSEMBLY 55T-SM-V1 24" RH TRACK ASSEMBLY	1	2
4	1232324601	DIA 11 LINCH PIN-B2700	8	-
5	4004131-09	PIN	4	-
6	REFER TO BREAKDOWN	CONNECTION ROD	4	5

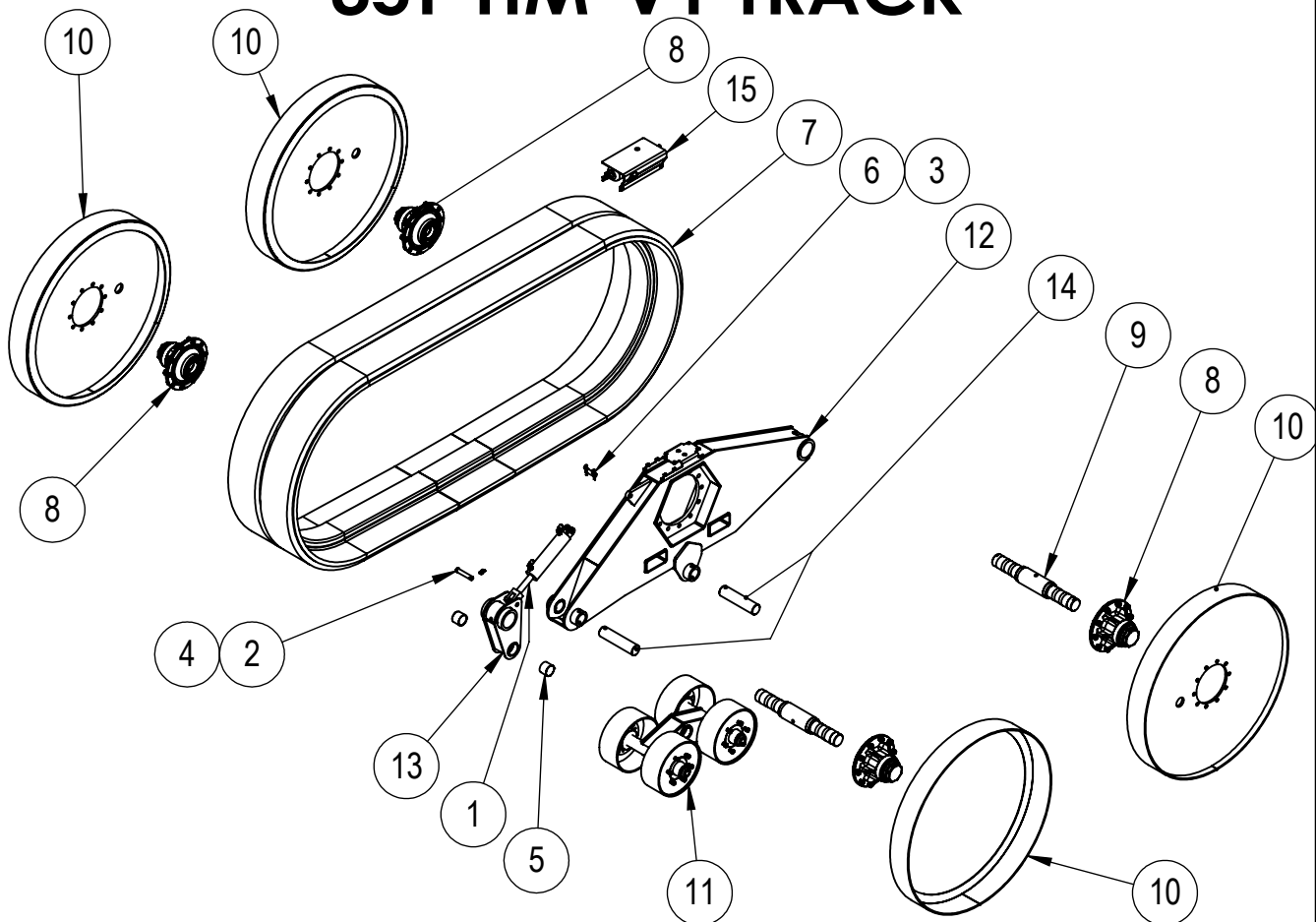
# 55T-SM-V1 TRACK



# 55T-SM-V1 TRACK MATERIAL LIST

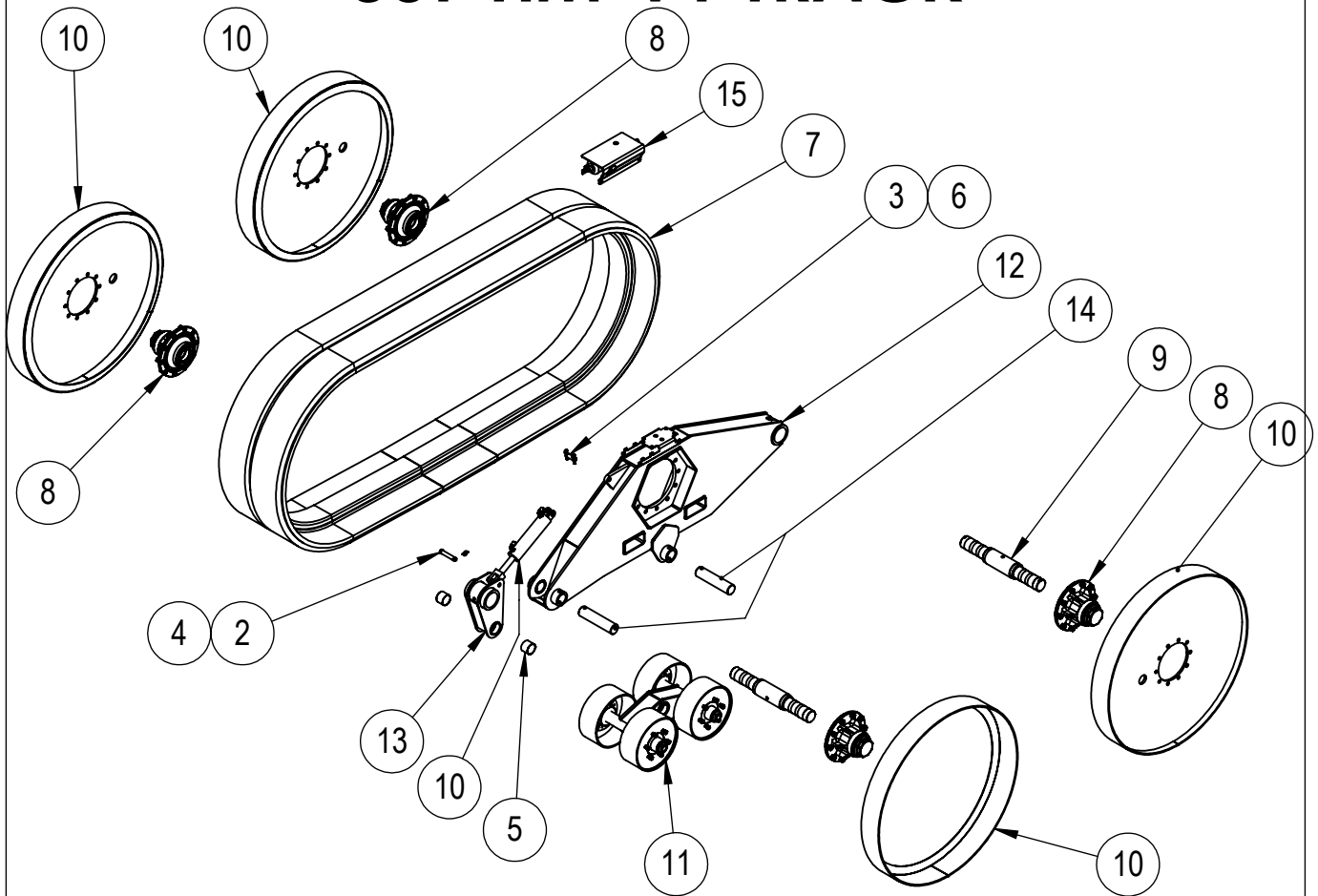
ITEM NO.	PART NUMBER	DESCRIPTION	QTY	PAGE
1	2101017	55T-SM-V1 HYDRAULIC CYLINDER	1	-
2	2508002	PIN - 25.4 x 115mm - B81	1	-
3	2508003	PIN HYD CYL - DIA 25.4mm	1	-
4	2512001	HAIR CLIP BIG	2	-
5	1206324601	DIA 6 LINCH PIN -B2	1	-
6	GSM-7580-40	BUSH	2	
7	GSM-150155-100	ID150xOD155x100Lg	2	-
8	4029003 4029055	55T-SM-V1 36" TRACK 55T-SM-V1 24" TRACK	1	
9	4029025	IDLER WHEEL HUB ASSEMBLY	4	
10	4029004 4029039	55T-SM-V1 36" IDLER WHEEL 55T-SM-V1 24" IDLER WHEEL	4	
11	4029022 4029041	36" BOGIE ASSEMBLY 24" BOGIE ASSEMBLY	2	
12	4029008 4029012	55T-SM-V1 FRAME LH 55T-SM-V1 FRAME RH	1	
13	4029009	55T-SM-V1 ADJUSTMENT LEVER	1	
14	4029020-02	BOGIE PIN	3	
15	4029032	55T-SM-V1 HYDRAULIC SYSTEM	1	
16	4029020-01	IDLER WHEEL AXLE	2	
17	0229035 0229036	55T-SM-V1 COVER RH 55T-SM-V1 COVER LH	1	
18	4029030-01	BEARING RETAINING RING	2	
19	4029030-02 4029037-02	36" TRACK MUD DEFLECTOR OPTION 24" TRACK MUD DEFLECTOR OPTION	1	

# 35T-HM-V1 TRACK



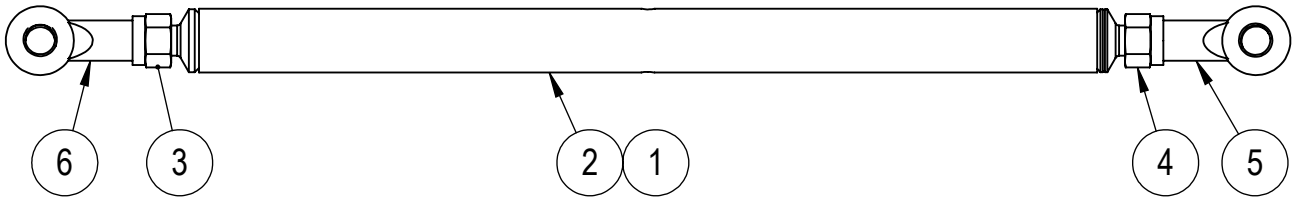
ITEM NO.	PART NUMBER	DESCRIPTION	QTY	PAGE
1	2101017	35T-HM-V1 HYDRAULIC CYLINDER	1	
2	2508002	PIN - 25.4 x 115mm - B81	1	
3	2508003	PIN HYD CYL - DIA 25.4mm	1	
4	1206324601	DIA 6 LINCH PIN -B2	1	
5	GSM-7580-60	BUSH	2	
6	2509002-02	4mm R CLIP	2	
7	4029003 4029055	35T-HM-V1 36" TRACK 35T-HM-V1 24" TRACK	1	
8	4029025	IDLER WHEEL HUB ASSEMBLY	4	
9	4029020-01	IDLER WHEEL AXLE	2	
10	4029054 4029044	35T-HM-V1 36" IDLER WHEEL 35T-HM-V1 24" IDLER WHEEL	4	
11	4029022 4029041	35T-HM-V1 36" BOGIE 35T-HM-V1 24" BOGIE	1	
12	4029047	35T-HM-V1 FRAME	1	
13	4029009	35T-HM-V1 ADJUSTMENT LEVER	1	
14	4029020-02	BOGIE PIN	2	
15	4029051	35T-HM-V1 HYDRAULIC SYSTEM	1	

# 30T-HM-V1 TRACK



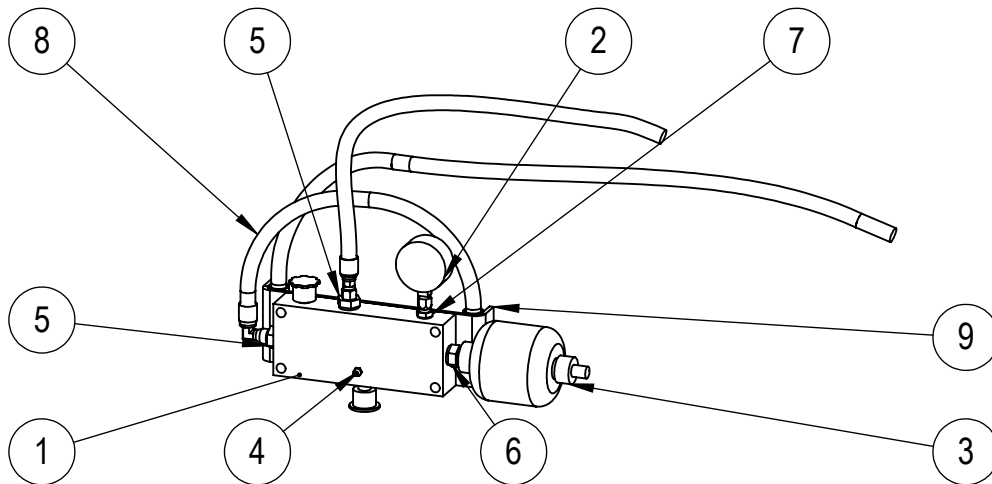
ITEM NO.	PART NUMBER	DESCRIPTION	QTY	PAGE
1	2101017	30T-HM-V1 HYDRAULIC CYLINDER	1	
2	2508002	PIN - 25.4 x 115mm - B81	1	
3	2508003	PIN HYD CYL - DIA 25.4mm	1	
4	1206324601	DIA 6 LINCH PIN -B2	1	
5	GSM-7580-60	BUSH	2	
6	2509002-02	4mm R CLIP	2	
7	4029003 4029055	35T-HM-V1 36" TRACK 35T-HM-V1 24" TRACK	1	
8	4029025	IDLER WHEEL HUB ASSEMBLY	4	
9	4029020-01	IDLER WHEEL AXLE	2	
10	4029054 4029044	35T-HM-V1 36" IDLER WHEEL 35T-HM-V1 24" IDLER WHEEL	4	
11	4029022 4029041	35T-HM-V1 36" BOGIE 35T-HM-V1 24" BOGIE	1	
12	4029047	35T-HM-V1 FRAME	1	
13	4029009	35T-HM-V1 ADJUSTMENT LEVER	1	
14	4029020-02	BOGIE PIN	2	
15	4029051	35T-HM-V1 HYDRAULIC SYSTEM	1	

# CONNECTION ROD



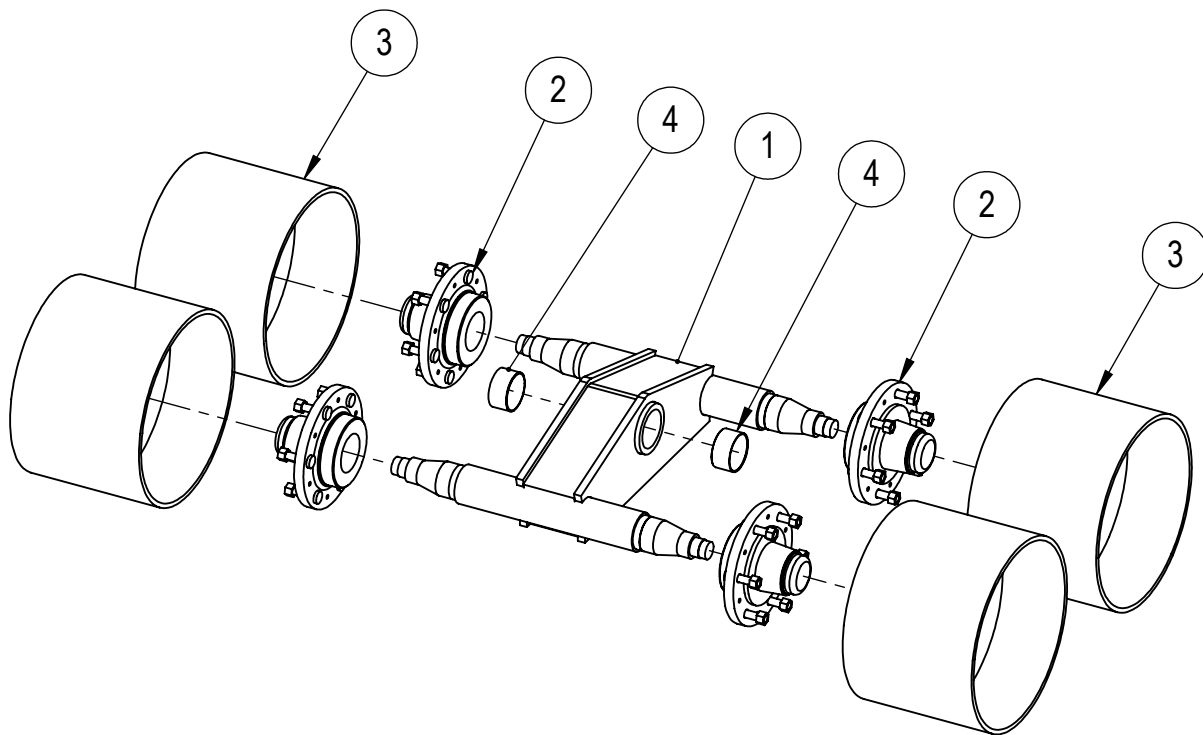
ITEM NO.	PART NUMBER	DESCRIPTION	QTY 2.65m	QTY 3m
1	4031005-01	CONNECTION ROD 2.65m	1	-
2	4031005-02	CONNECTION ROD 3m	-	1
3	2036004601	M36 HEX NUT ZINC PLATED	1	1
4	2036104601	M36 HEX NUT LH ZINC PLATED	1	1
5	SI35L/ET	METRIC FEMALE NARROW RODENDS LH	1	1
6	SI35R/ET	METRIC FEMALE NARROW RODENDS RH	1	1

# 55T-SM-V1 HYDRAULIC SYSTEM



ITEM NO.	PART NUMBER	DESCRIPTION	QTY	PAGE
1	4029032-01	TRACK HYDRAULIC MANIFOLD	1	-
2	RG01-400	PRESSURE GAUGE RANGE 0-400	1	-
3	STDA050NBRP 3BGN1	STAUFF DIAPHRAGM ACCUMULATOR	1	-
4	2525001	GREASE NIPPLE CGN29 1/8 BSP STRAIGHT	2	-
5	S74-0809	BSP O RING 1/2 TO JIC /16	2	-
6	S75-0808	BSP 1/2 TO BSP O RING 1/2	1	-
7	S43-0404	BSP O RING MALE 1/4 TO 1/4 BSP FEM SWIVEL	1	-
8	4029032-02	TRACK HYDRAULIC PIPE KIT	1	-
9	4029033	TRACK HYDRAULIC MOUNTING	1	-

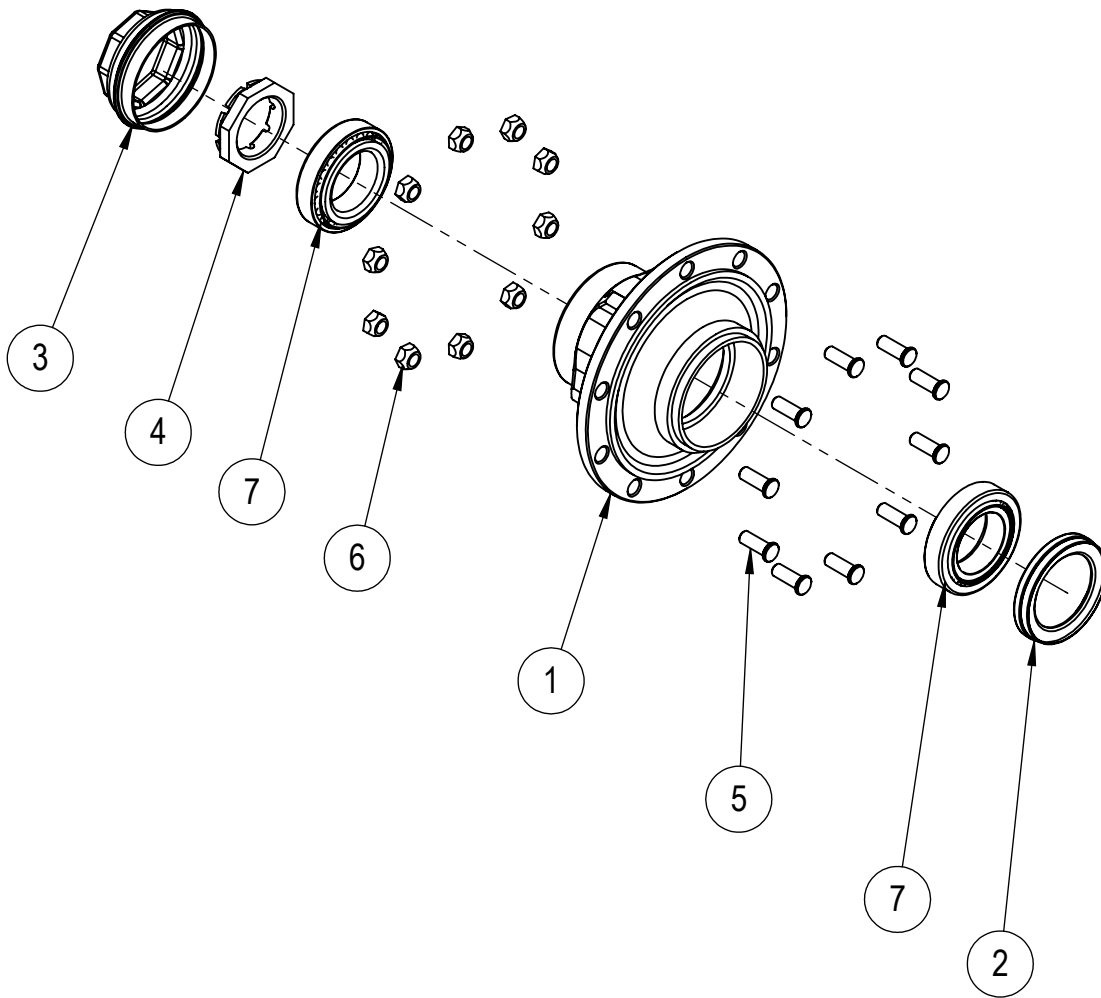
# BOGIE ASSEMBLY



ITEM NO.	PART NUMBER	DESCRIPTION	QTY	PAGE
1	4029023	55T-SM-V1, 35T-SM-V1 AND 30T-SM-V1 BOGIE FRAME	1	-
2	2204001	BOGIE WHEEL HUB	4	8
3	4029005 4029042	36" BOGIE WHEEL 24" BOGIE WHEEL	4	-
4	GSM-7580-40	BUSH	2	-

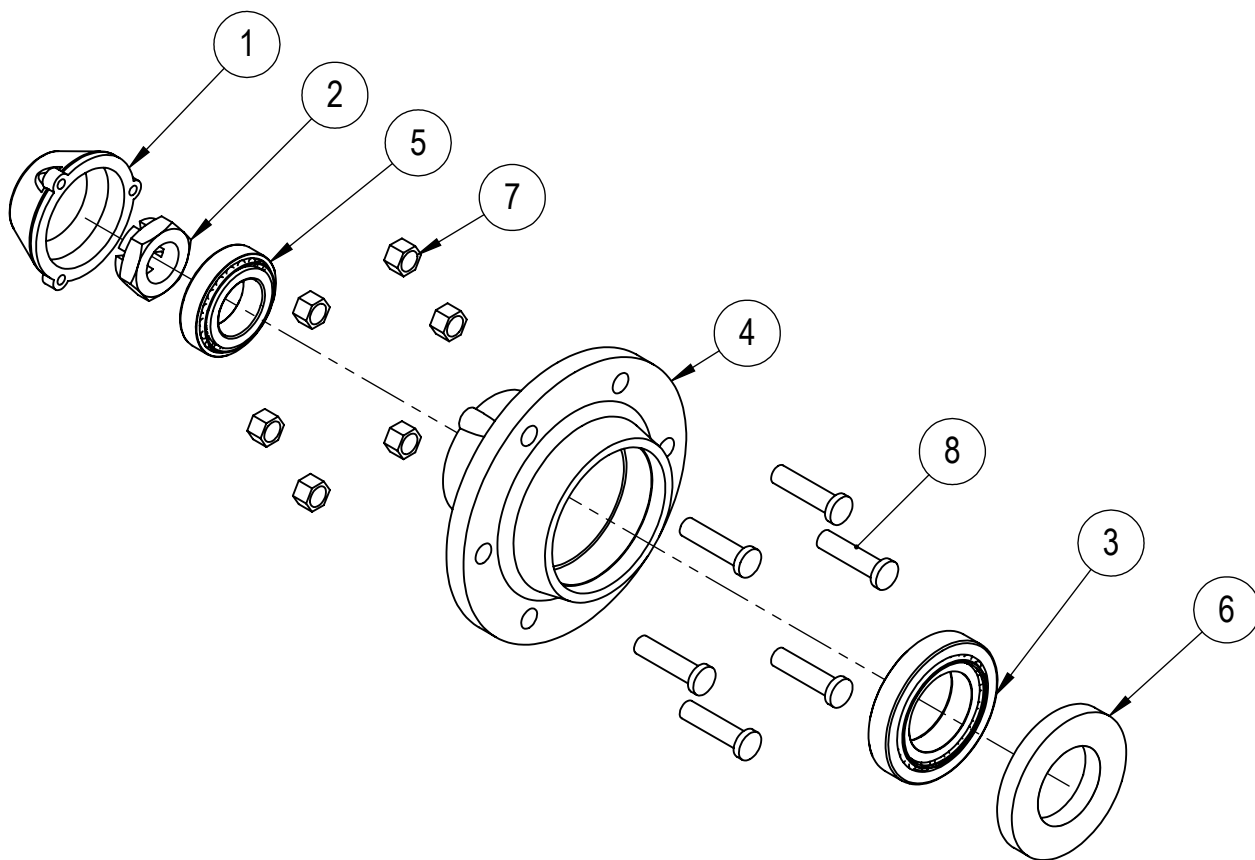


# IDELER WHEEL HUB



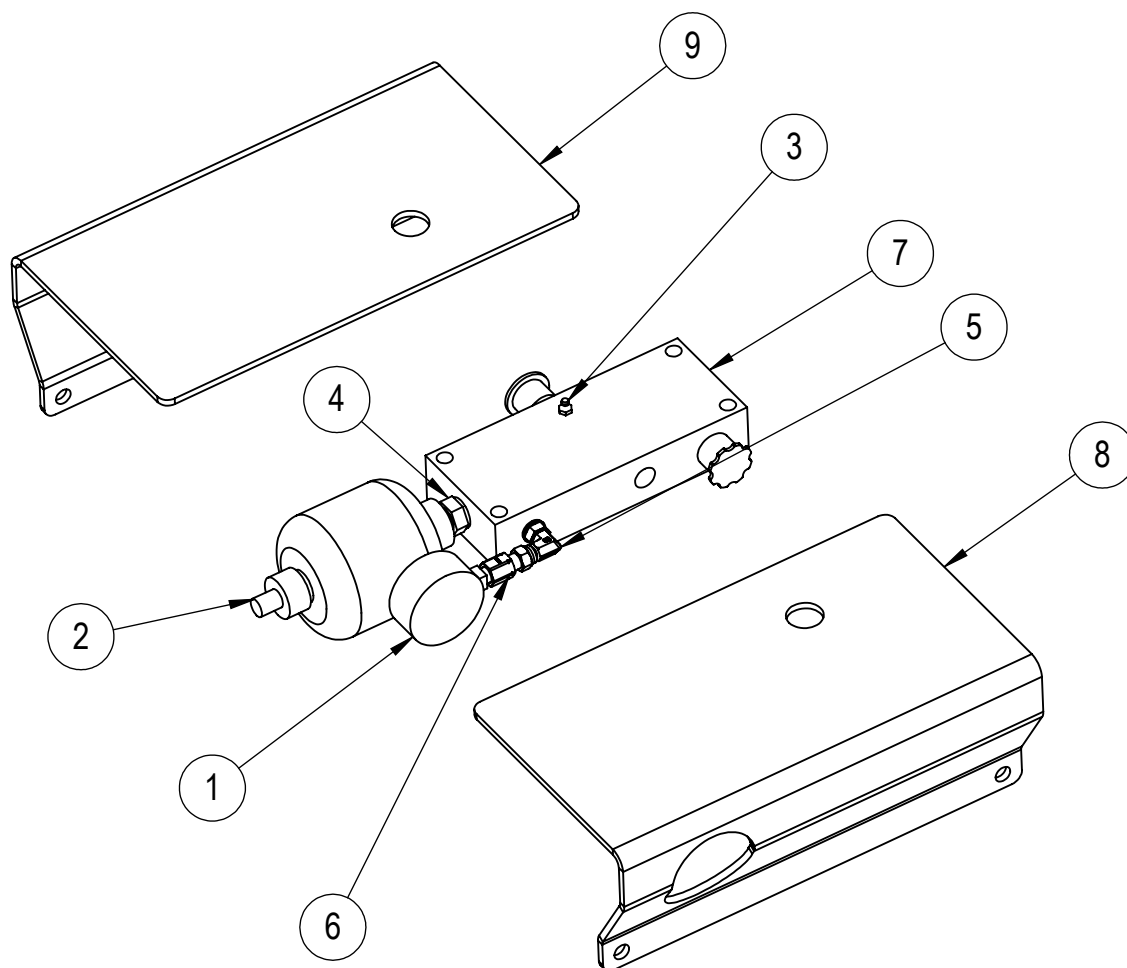
ITEM NO.	PART NUMBER	DESCRIPTION	QTY	PAGE
1	2203006-03	10 STUD HUB	1	
2	2203006-06	SEAL	1	
3	2203006-08	HUB CAP	1	
4	2203006-07	CROW NUT	1	
5	2203006-04	STUD	10	
6	2203006-05	WHEEL NUT	10	
7	2203006-09	BEARING	2	

# BOGIE WHEEL HUB



ITEM NO.	PART NUMBER	DESCRIPTION	QTY	PAGE
1	2204001-02	HUB CAP	1	
2	2204001-03	NUT	1	
3	2204001-04	BEARING	1	
4	2204001-09	6 STUD HUB	1	
5	2204001-05	BEARING	1	
6	2204001-07	SEAL	1	
7	2204001	WHEEL NUT	6	
8	2204001-08	WHEEL STUD	6	

# 35T-HM-V1 HYDRAULIC SYSTEM



ITEM NO.	PART NUMBER	DESCRIPTION	QTY	PAGE
1	RG01-400	PRESSURE GAUGE RANGE 0-400	1	
2	STDA050NBRP 3BGN1	STAUFF DIAPHRAGM ACCUMULATOR	1	
3	2525001	GREASE NIPPLE CGN29 1/8 BSP STRAIGHT	2	
4	S75-0808	BSP 1/2 TO BSPP O RING 1/2	1	
5	RYCO_S105- 0404	BSPP O RING MALE BSPP FEMALE SWIVEL 90° ELBOW	1	
6	RYCO_S72N- 0404	BSPT MALE BSPT FEM FIXED	1	
7	4029032-01	TRACK HYDRAULIC MANIFOLD	1	
8	4029051-02	LH SIDE COVER	1	
9	4029051-03	RH SIDE COVER	1	