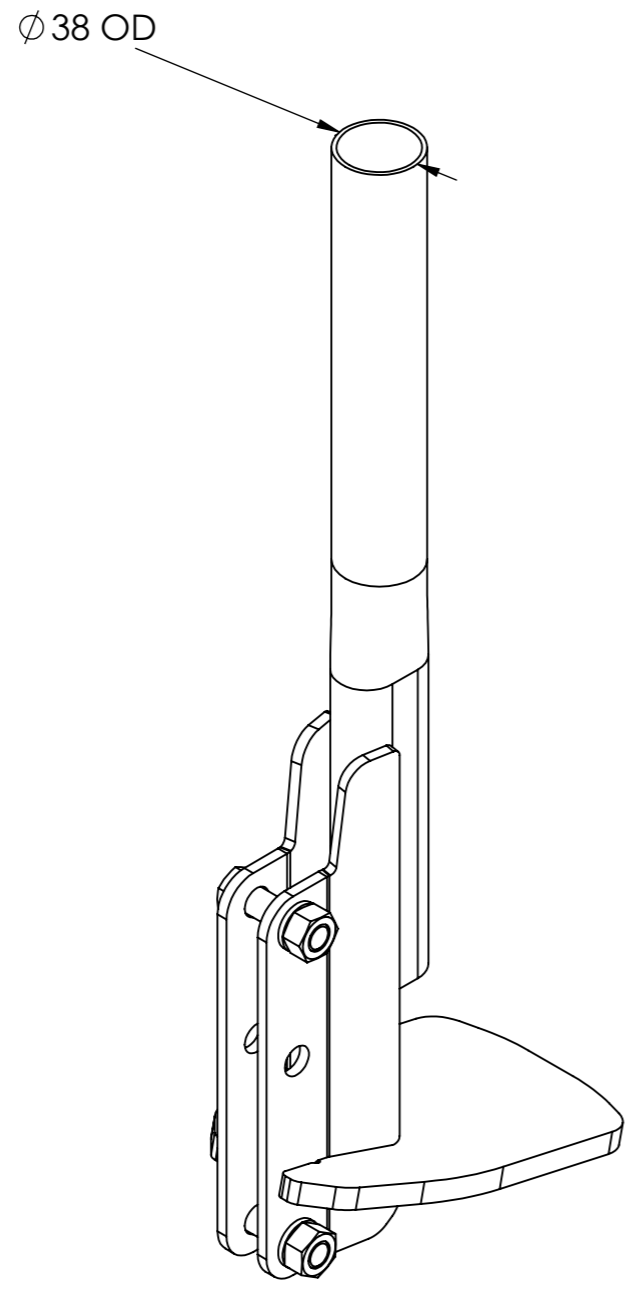


ITEM NO.	PART NUMBER	DESCRIPTION	QTY.
1	026-3001	SHANK PIPE, SINGLE WITH DEPTH STOP	1
2	133-4123	M12 x 40 HEX BOLT ZINC	2
3	134-4017	M12 HEX NUT ZINC PLATED	2
4	135-3038	SPRING WASHER M12	2

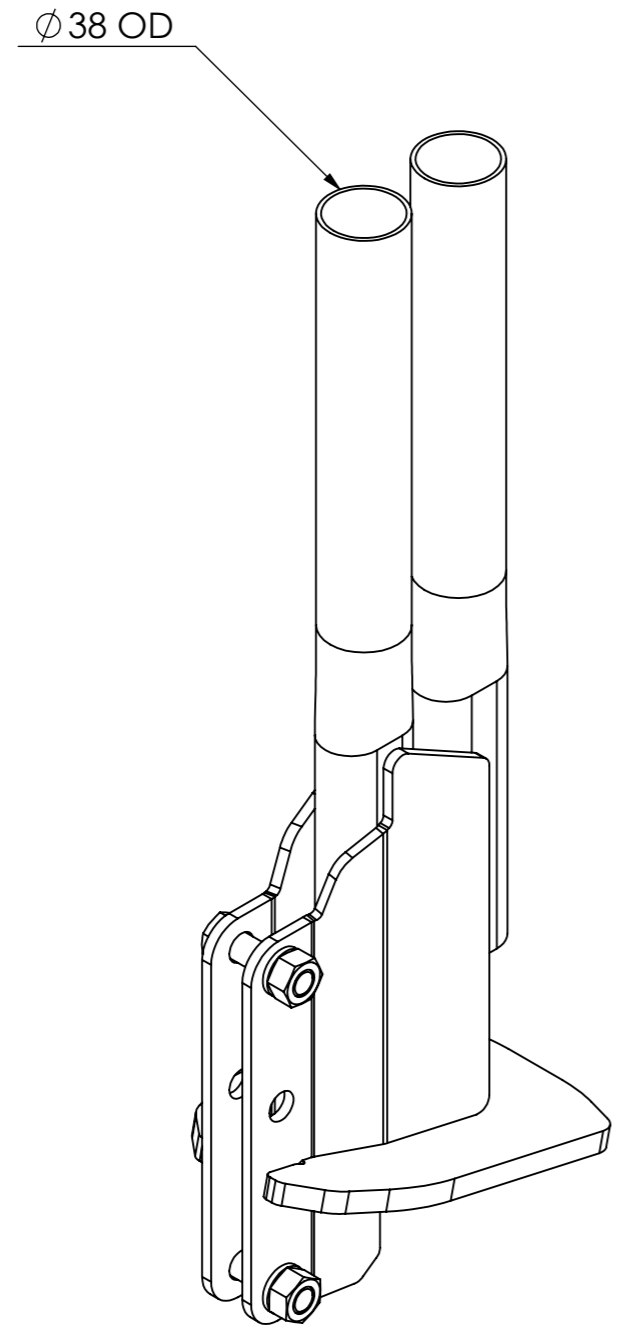


SINGLE SHANK PIPES ARE DESIGNED FOR THE #9 SHANK ASSEMBLY AND CAN FIT TO ANY SHANK WITH 22MM 1/2" HOLES. SINGLE PIPES WITH A DEPTH STOP DELIVER MATERIAL TO A SPECIFIC DEPTH IN THE GROUND. PIPES ARE SUPPLIED WITH HARDWARE AND HARDFACED.

PIPES WITH DEPTH STOP WILL AFFECT TRACTOR DRAFT REQUIREMENTS AND RECOIL ACTION. CHECK SHANK RECOIL, CLEARANCE TO FRAME AND CLEARANCE TO ANY TRAILING EQUIPMENT BEFORE PURCHASE.

<p>AGROWFLOW</p> <p><small>COPYRIGHT RESERVED</small></p> <p><small>THIS DRAWING IS THE PROPERTY AGROWFLOW PTY LTD, AND IS SUBJECT TO RETURN UPON DEMAND. IT IS SUBMITTED FOR USE ONLY IN CONNECTION WITH PROPOSALS OR CONTRACTS OF THIS ORGANISATION UPON THE EXPRESS CONDITION THAT IT IS NOT TO BE USED DIRECTLY OR INDIRECTLY IN ANY WAY DETRIMENTAL TO THE INTERESTES OF AGROWFLOW PTY LTD.</small></p>	<p>TITLE:</p> <p>SHANK PIPES SINGLE WITH DEPTH STOP</p> <p>38mm</p>	<p>PART NUMBER</p> <p>026-2001</p>
	<p>16-Mar-17</p>	

ITEM NO.	PART NUMBER	DESCRIPTION	QTY.
1	026-3002	SHANK PIPES, DUAL	1
2	133-4123	M12 x 40 HEX BOLT ZINC	2
3	134-4017	M12 HEX NUT ZINC PLATED	2
4	135-3038	SPRING WASHER M12	2

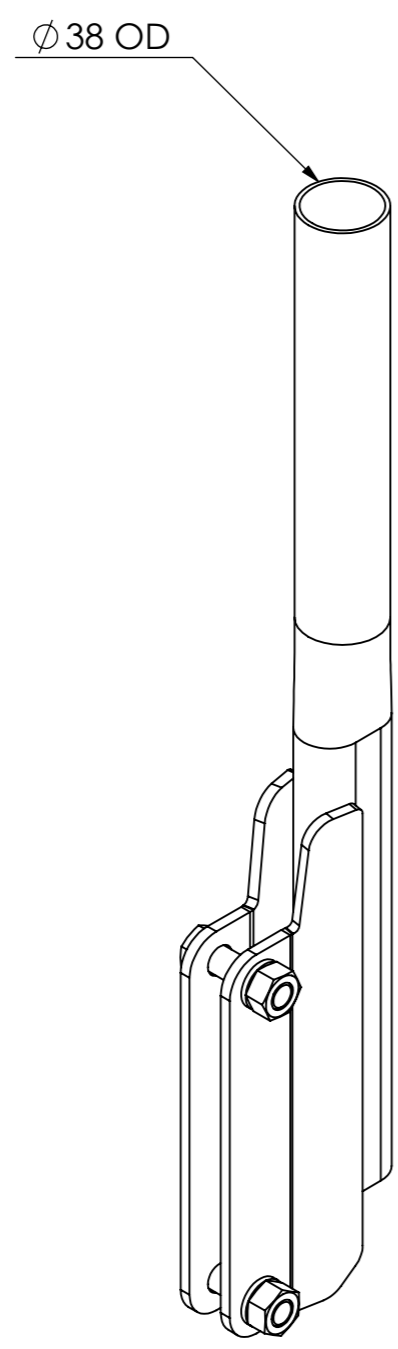


DUAL SHANK PIPES ARE DESIGNED FOR THE #9 SHANK ASSEMBLY AND CAN FIT TO ANY SHANK WITH 22MM 1/2" HOLES. DUAL PIPES WITH A DEPTH STOP DELIVER MATERIAL TO A SPECIFIC DEPTH IN THE GROUND AND TO THE BOTTOM OF THE SHANKS WORKING DEPTH. PIPES ARE SUPPLIED WITH HARDWARE AND HARDFACED.

PIPES WITH DEPTH STOP WILL AFFECT TRACTOR DRAFT REQUIREMENTS AND RECOIL ACTION. CHECK SHANK RECOIL, CLEARANCE TO FRAME AND CLEARANCE TO ANY TRAILING EQUIPMENT BEFORE PURCHASE.

<p>AGROWFLOW</p> <p><small>COPYRIGHT RESERVED</small></p> <p><small>THIS DRAWING IS THE PROPERTY AGROWFLOW PTY LTD, AND IS SUBJECT TO RETURN UPON DEMAND. IT IS SUBMITTED FOR USE ONLY IN CONNECTION WITH PROPOSALS OR CONTRACTS OF THIS ORGANISATION UPON THE EXPRESS CONDITION THAT IT IS NOT TO BE USED DIRECTLY OR INDIRECTLY IN ANY WAY DETRIMENTAL TO THE INTERESTES OF AGROWFLOW PTY LTD.</small></p>	<p>TITLE:</p> <p>SHANK PIPES DUAL WITH DEPTH STOP</p> <p>38mm</p>	<p>PART NUMBER</p> <p>026-2002</p>
	<p>16-Mar-17</p>	

ITEM NO.	PART NUMBER	DESCRIPTION	QTY.
1	026-3003	SHANK PIPES, SINGLE	1
2	133-4123	M12 x 40 HEX BOLT ZINC	2
3	134-4017	M12 HEX NUT ZINC PLATED	2
4	135-3038	SPRING WASHER M12	2



SINGLE SHANK PIPES ARE DESIGNED FOR THE #9 SHANK ASSEMBLY AND CAN FIT TO ANY SHANK WITH 22MM 1/2" HOLES. PIPES DELIVER MATERIAL TO THE BOTTOM OF THE SHANKS WORKING DEPTH. PIPES ARE SUPPLIED WITH HARDWARE AND HARDFACED.

PIPES MAY AFFECT TRACTOR DRAFT REQUIREMENTS AND RECOIL ACTION. CHECK SHANK RECOIL, CLEARANCE TO FRAME AND CLEARANCE TO ANY TRAILING EQUIPMENT BEFORE PURCHASE.

AGROWFLOW <small>COPYRIGHT RESERVED</small> <small>THIS DRAWING IS THE PROPERTY AGROWFLOW PTY LTD, AND IS SUBJECT TO RETURN UPON DEMAND. IT IS SUBMITTED FOR USE ONLY IN CONNECTION WITH PROPOSALS OR CONTRACTS OF THIS ORGANISATION UPON THE EXPRESS CONDITION THAT IT IS NOT TO BE USED DIRECTLY OR INDIRECTLY IN ANY WAY DETRIMENTAL TO THE INTERESTES OF AGROWFLOW PTY LTD.</small>	TITLE: SHANK PIPE SINGLE 38mm	PART NUMBER 026-2003
	16-Mar-17	