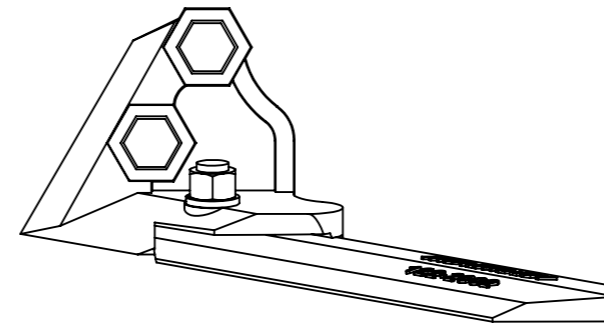
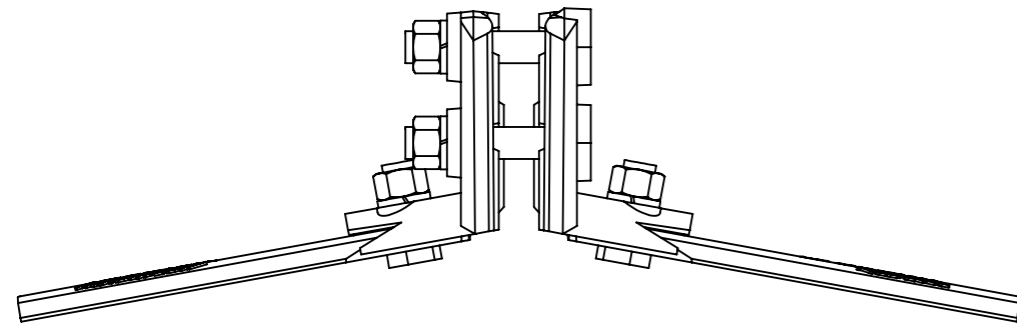
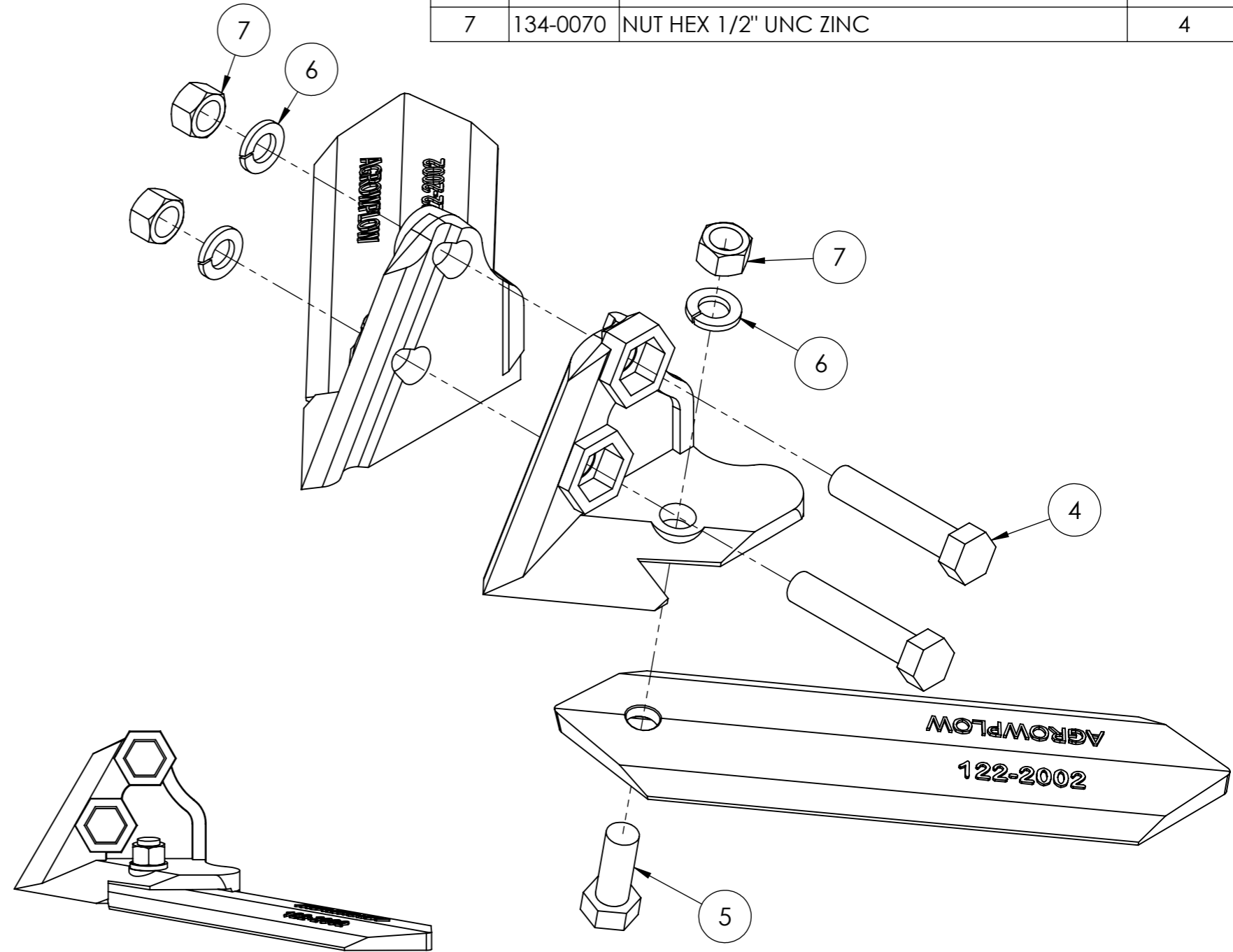
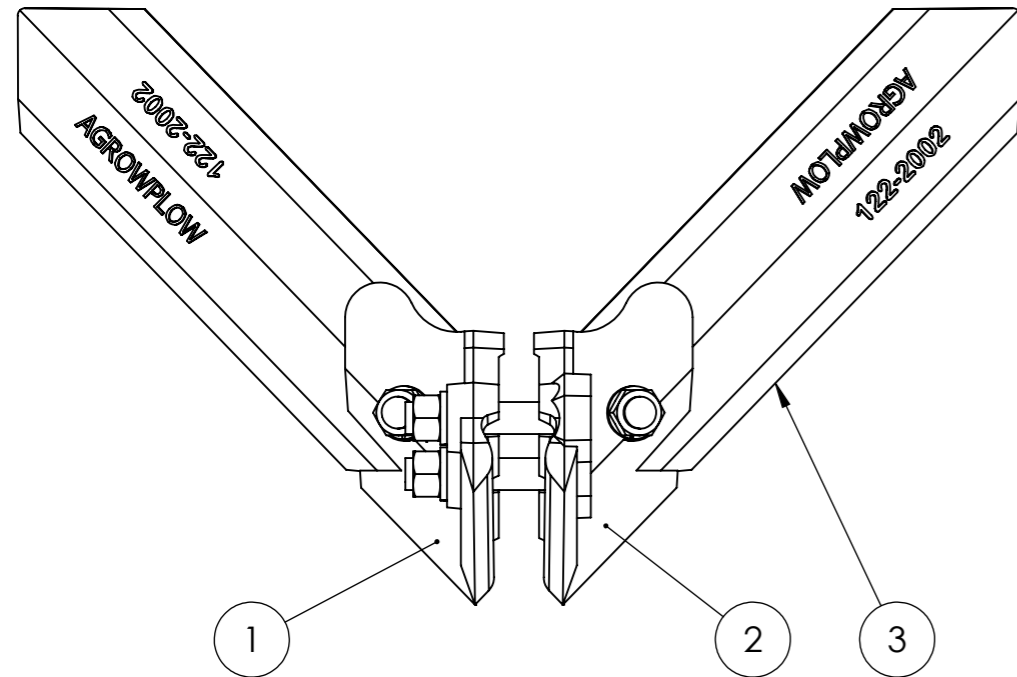


ITEM NO.	PART NUMBER	DESCRIPTION	QTY.
1	122-1001	MULCH BLADE, CLAMP RH	1
2	122-1002	MULCH BLADE, CLAMP LH	1
3	122-2002	MULCH BLADE	2
4	133-1090	BOLT 1/2" x 2.1/2" UNC G8 Zinc	2
5	133-1070	BOLT 1/2" x 1.1/4" UNC G8 Zinc	2
6	135-0050	WASHER SPRING 1/2" OD THICK ZINC	4
7	134-0070	NUT HEX 1/2" UNC ZINC	4



<p><b>AGROWFLOW</b></p> <p><small>COPYRIGHT RESERVED</small></p> <p><small>THIS DRAWING IS THE PROPERTY AGROWFLOW PTY LTD, AND IS SUBJECT TO RETURN UPON DEMAND. IT IS SUBMITTED FOR USE ONLY IN CONNECTION WITH PROPOSALS OR CONTRACTS OF THIS ORGANISATION UPON THE EXPRESS CONDITION THAT IT IS NOT TO BE USED DIRECTLY OR INDIRECTLY IN ANY WAY DETRIMENTAL TO THE INTERESTS OF AGROWFLOW PTY LTD.</small></p>	<p>TITLE: <b>MULCH BLADE KIT</b></p> <p>LAST PRINTED 6/08/2019</p>	<p>PART NUMBER <b>123-0001</b></p> <p>SHEET: 1 OF 1</p>
	<p>TOTAL MASS 5.68 Kg</p>	