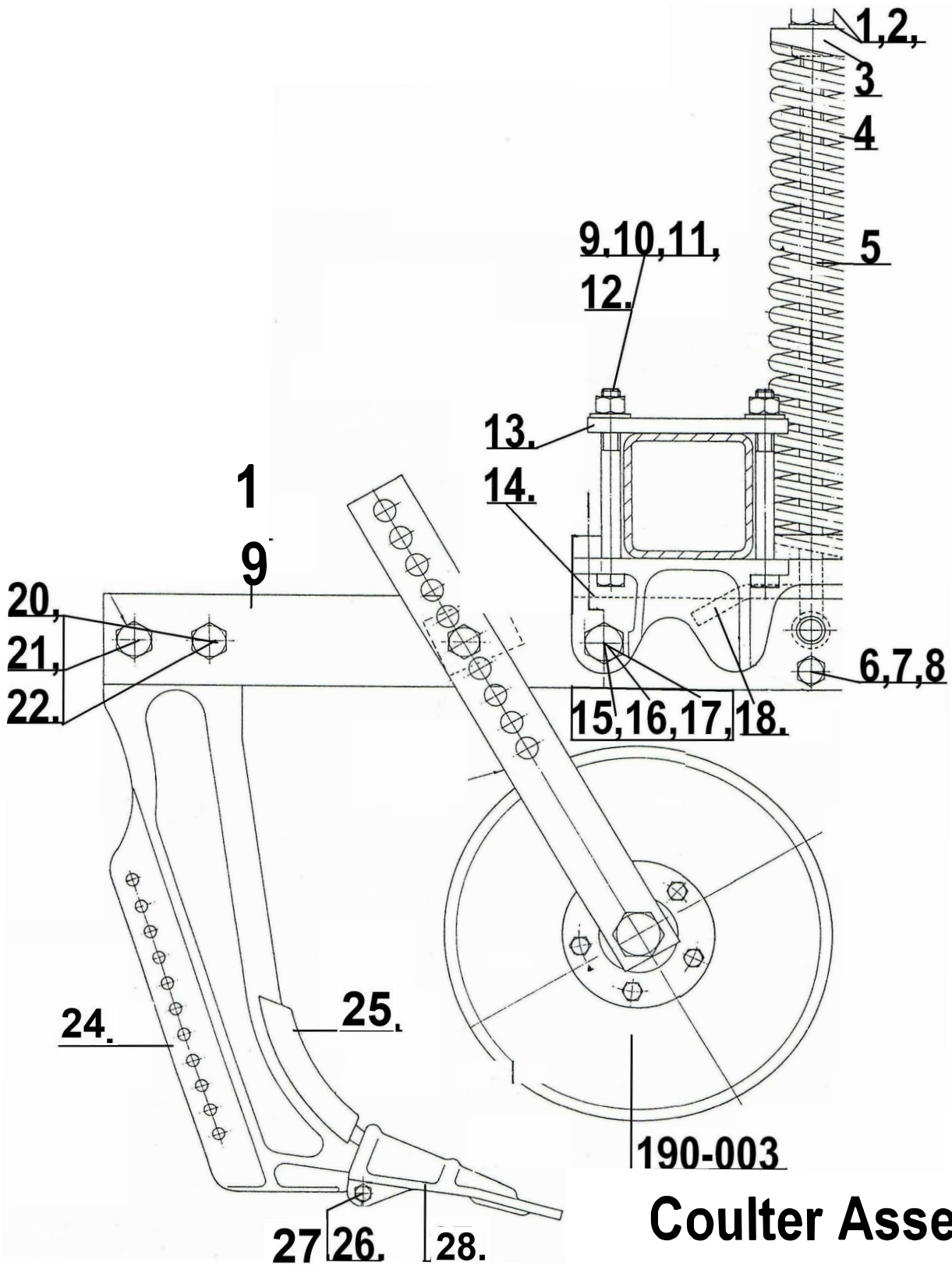


ECONO UTILITY SPRING JUMP SHANK ASSEMBLY



120-0020 ECONO SHANK SPRING JUMP ASSY

item	part #	Item Description	UOM	Quantity
1	134-1025	NUT NYLOC 3/4 UNC	EACH	1
2	135-1010	3/4" H/DUTY ZINC PLATE FLAT	EACH	1
3	003-3004	SPRING KEEPER AP35	EACH	1
4	124-0013	SPRING COIL AP13	EACH	1
5	132-0058	TEE-BOLT M20 x 568mm	EACH	1
6	133-2080	BOLT 3 x 5/8 UNC	EACH	1
7	135-0070	WASHER SPRING 5/8'	EACH	1
8	134-0090	NUT 5/8" UNC	EACH	1
9	142-0043	FRONT SPACER	EACH	1
10	133-3020	BOLT 6 x 5/8 UNC	EACH	4
11	135-0080	FLAT WASHER 5/8/M16 H/DUTY	EACH	4
12	134-0095	NYLOC NUT 5/8 UNC	EACH	4
13	135-0070	SPRING WASHER 5/8 MEDIUM	EACH	1
14	001-1002	CLAMP PIVOT AP10 3/4" HOLE	EACH	1
15	003-3002	CLAMP PLATE	EACH	1
16	133-4010	BOLT 4 1/2 x 3/4 UNC	EACH	1
17	135-0090	WASHER 3/4" SPRING	EACH	1
18	134-1020	NUT 3/4" UNC	EACH	1
19	001-4006	PLATE - SPACER TURTLE NECK	EACH	1
20	133-3080	BOLT 3 x 3/4 UNC	EACH	2
21	135-0090	WASHER 3/4" SPRING	EACH	2
22	134-1020	NUT 3/4" UNC	EACH	2
23	001-3004	SIDE PLATE UTILITY SPRING JUMP	EACH	2
24	121-2001	SHANK - 20' ECONO - AT230	EACH	1
25	121-3002	SHINGUARD - AT215	EACH	1
26	133-0075	BOLT 1 1/4 x 3/8 UNC	EACH	1
27	134-0030	NUT - 3/8 UNC	EACH	1
28	122-2066	BLADE TUNGSTENTIP AP216	EACH	1
	142-0015	PIVOT BUSH	EACH	1
		OPTIONAL BLADES		
opt	122-2017	BLADE HARDFACED AP216	EACH	1
opt	122-1003	PLAIN BLADE # 216	EACH	1
	190-0003	FIXED COULTER ASSY	ASSY	1
	368 KG	810LB BREAKOUT AT TIP		
	350MM	14" WORKING DEPTH		
	250mm	10" WITH COULTERS FITTED		