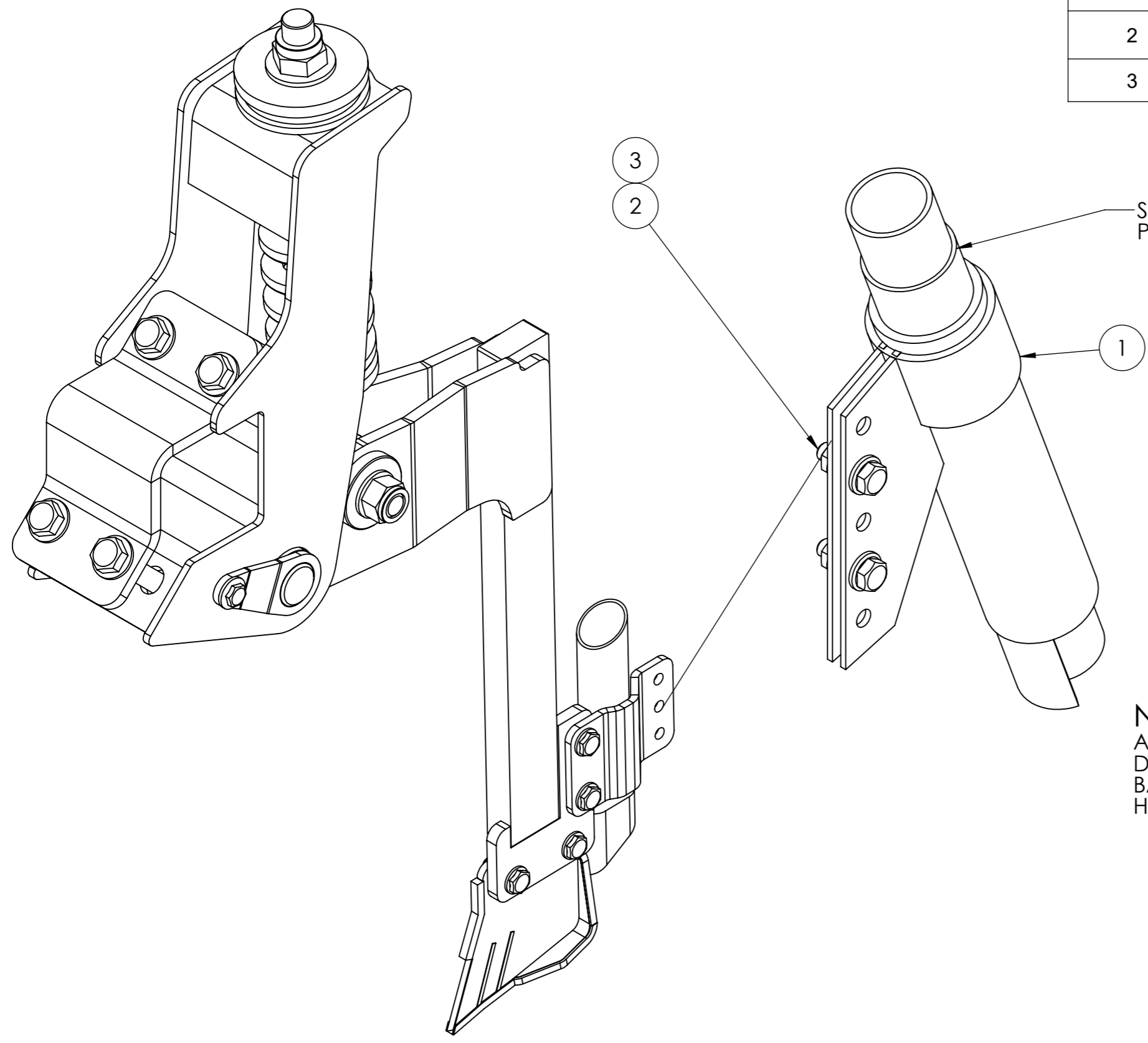


ITEM NO.	PART NUMBER	DESCRIPTION	QTY.
1	115-4011	POINT BAKER BOOT FABRICATED HEAVY DUTY	1
2	132-3001	251 401 AND COULTER SPRING	1
3	133-4122	M16 x 90 HEX BOLT ZINC GR8.8	4
4	133-4131	M10 x 30 HEX FLANGE BOLT ZINC GR 8.8	4
5	133-4133	M12 x 30 HEX FLANGE BOLT ZINC GR 8.8	1
6	134-0050	M10 HEX NYLOCK NUT ZINC PLATED GR 8.8	4
7	134-1046	M20 HEX NYLOCK NUT ZINC GR 8.8	2
8	134-4016	M12 HEX NYLOCK NUT ZINC PLATED GR 8.8	1
9	134-4042	M24 HEX NYLOCK NUT GR 8.8 ZINC PLATED	1
10	135-3023	FLAT WASHER M24	1
11	135-3036	WASHER FLAT M16	4
12	135-3040	WASHER FLAT M20	2
13	408-3001	251 & 401 CARRIER MOUNT	1
14	408-3002	251 SPRING TYNE FIRST SEED TUBE	1
15	408-3003	251 SPRING TYNE SWING ARM	1
16	408-3004	251 & 401 SWIVEL PIN	1
17	408-4007	251 & 401 SPRING STEM LOCATOR TOP	1
18	408-4008	251 & 401 CARRIER CLAMP BRACKET	1
19	408-4010	251 & 401 SPRING STEM RETAINER WASHER BOTTOM	1
20	408-4021	251 & 401 SWIVEL BAR	1
21	408-4035	251 & 401 SPRING STEM LOCATOR BOTTOM	1
22	408-4038	ROD END 25mm BALL, M24 RH FEMALE THREAD, TEFLON/STEEL, SI25ET	1
23	408-4052	BUSH ID 35 OD 39 Length 25	2
24	408-4129	251 & 401 SPRING STEM SPACER WASHER	1
25	408-4130	251 & 401 SPRING STEM RUBBER CUSHION	1
26	408-4131	251 & 401 SPRING STEM TENSION BAR	1
27	408-4132	251 & 401 SPRING STEM RETAINER WASHER TOP	1
28	202-0120	M16 HEX NUT ZINC FLANGE GR 8.8	4

<p align="center">AGROWFLOW</p> <p align="center">COPYRIGHT RESERVED</p> <p align="center">THIS DRAWING IS THE PROPERTY AGROWFLOW PTY LTD, AND IS SUBJECT TO RETURN UPON DEMAND. IT IS SUBMITTED FOR USE ONLY IN CONNECTION WITH PROPOSALS OR CONTRACTS OF THIS ORGANISATION UPON THE EXPRESS CONDITION THAT IT IS NOT TO BE USED DIRECTLY OR INDIRECTLY IN ANY WAY DETRIMENTAL TO THE INTERESTES OF AGROWFLOW PTY LTD.</p>	<p align="center">TITLE:</p> <p align="center">251 SPRING RELEASE TYNE</p>	<p align="center">PART NUMBER</p> <p align="center">408-1002</p>
	<p align="right">2/04/2019</p>	<p align="center">SHEET: PAGE:</p> <p align="center">1 OF 2</p>

ITEM NO.	PART NUMBER	DESCRIPTION	QTY
1	114-1118	SEED TUBE RUBBER ASSEMBLY 2nd	1
2	133-4128	M8 x 25 HEX FLANGE BOLT ZINC GR 8.8	2
3	134-4101	M8 HEX NUT ZINC FLANGE GR 8.8	2



NOTE:
 ASSEMBLY DOES NOT INCLUDE BUT IS ASSOCIATED WITH:
 DOULBE SEED CUP (SUITS DOUBLE GATE HOUSING): 113-3120
 BARFLO 38mm ID : 219-4010
 HOSE CLAMP : 155-1006

AGROWFLOW <small>COPYRIGHT RESERVED</small> <small>THIS DRAWING IS THE PROPERTY AGROWFLOW PTY LTD, AND IS SUBJECT TO RETURN UPON DEMAND. IT IS SUBMITTED FOR USE ONLY IN CONNECTION WITH PROPOSALS OR CONTRACTS OF THIS ORGANISATION UPON THE EXSPRESS CONDITION THAT IT IS NOT TO BE USED DIRECTLY OR INDIRECTLY IN ANY WAY DETRIMENTAL TO THE INTERESTES OF AGROWFLOW PTY LTD.</small>	TITLE: 251 SPRING RELEASE TYNE	PART NUMBER 408-1002
	2/04/2019	