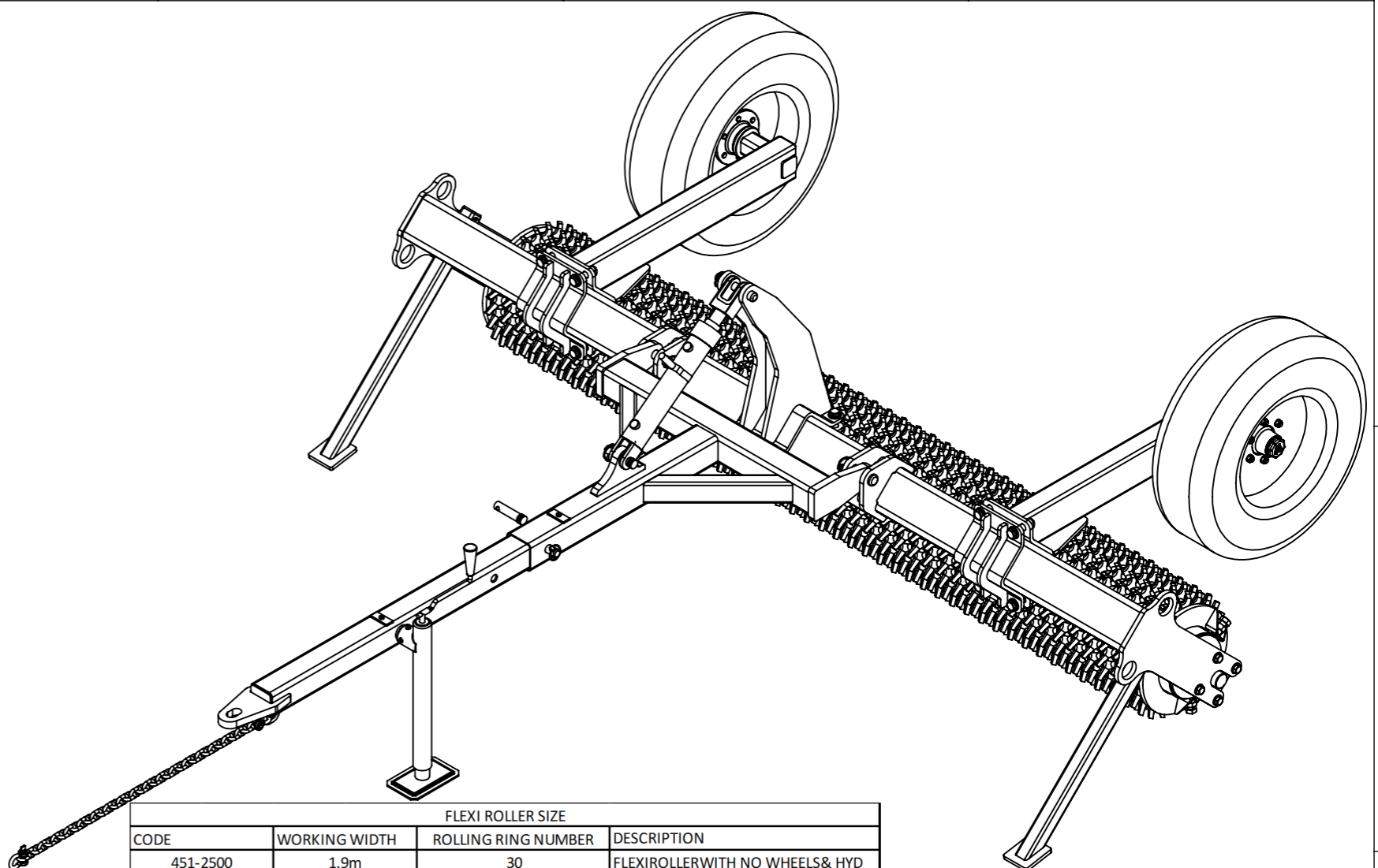
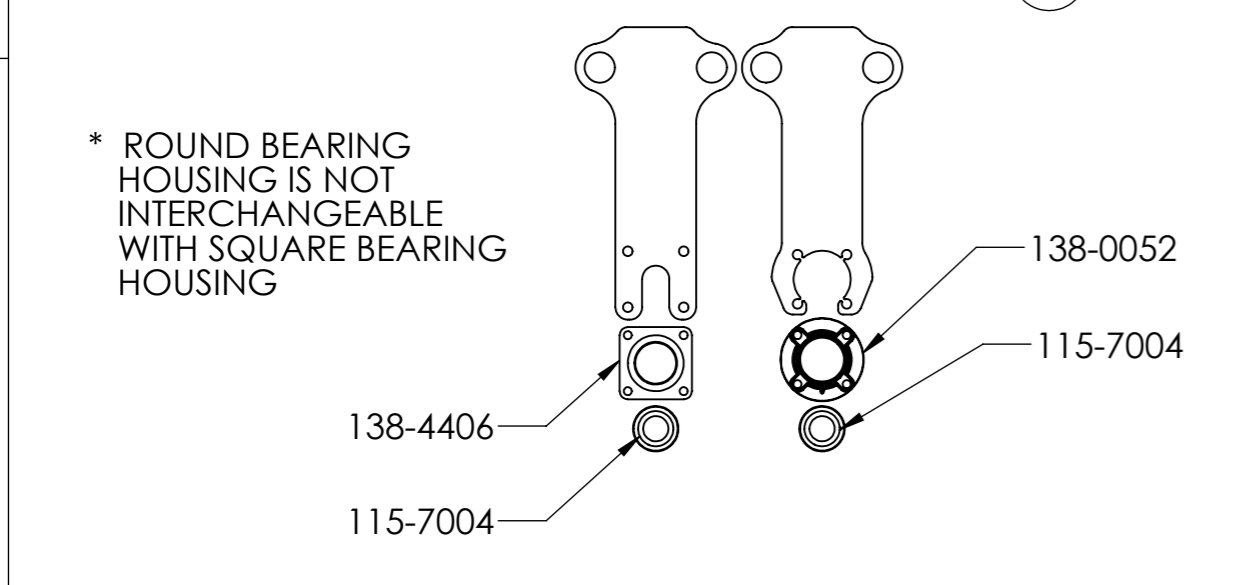
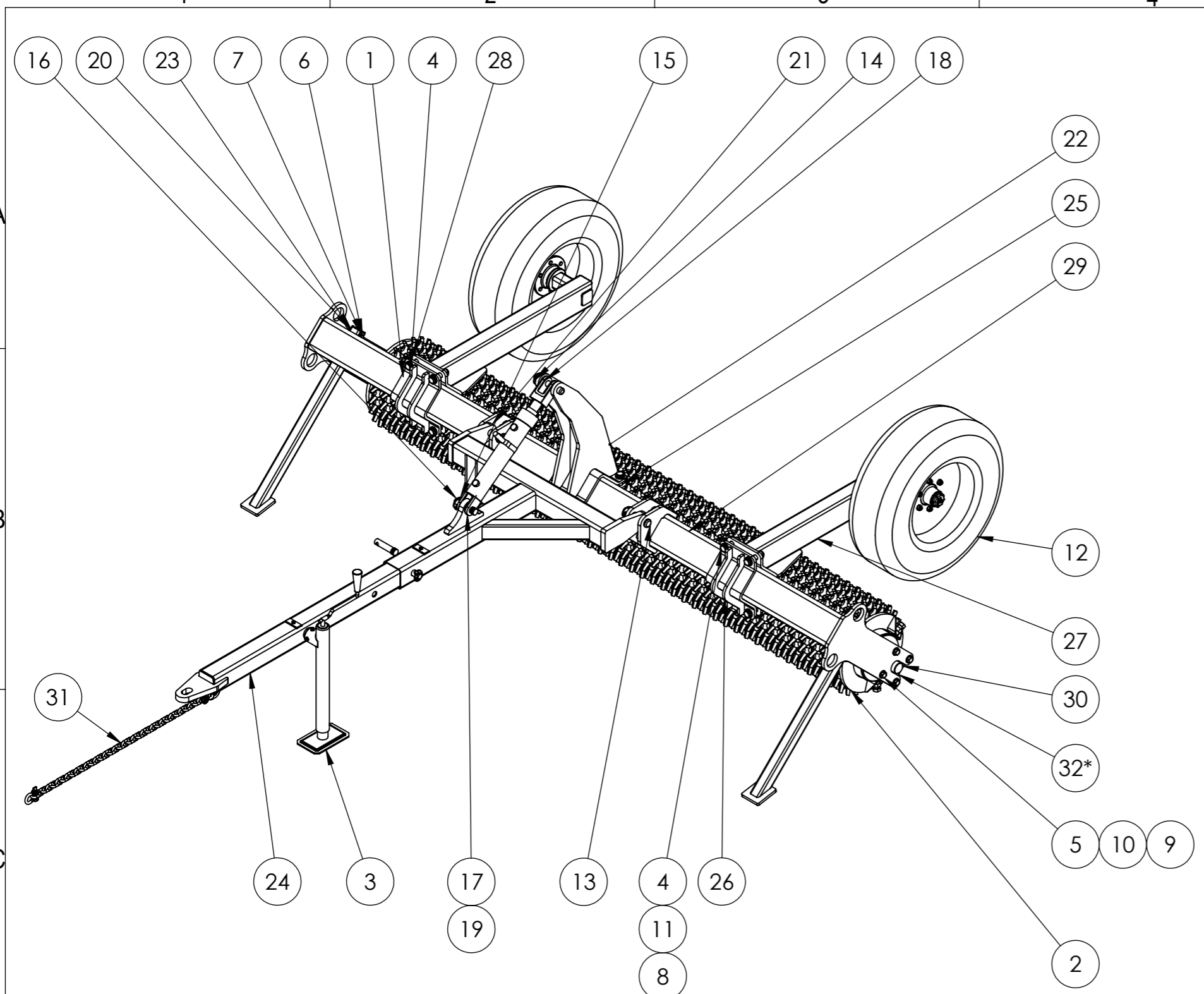


ITEM NO.	PART NUMBER	DESCRIPTION	QTY.
1	093-3001	FLEXIROLLER RING	45
2	093-3014	FLEXIROLLER RETAINING RING	1
3	112-0001	JACKSTAND 1.5t ROUND	1
4	133-4063	M20 x 80 HEX FLANGE BOLT ZINC GR 8.8	14
5	133-4087	M16 x 65 HEX BOLT ZINC GR8.8	8
6	133-4151	M10 x 65 HEX BOLT ZINC GR8.8	2
7	134-0057	WASHER FLAT M10	4
8	134-1046	M20 HEX NYLOCK NUT ZINC GR 8.8	14
9	134-4022	M16 HEX NUT ZINC PLATED GR 8.8	8
10	135-3036	WASHER FLAT M16	16
11	135-3040	WASHER FLAT M20	28
12	139-2015	TYRE & RIM 235/75 R15	2
13	140-0003	PIN CLEVIS 1 1/18" 105mm CAT2 LOWER	2
14	140-0004	PIN CLEVIS 1" 115mm CAT 2 TOP	2
15	140-4039	PIN CLEVIS 1" 76mm CAT2	2
16	142-4210	RATCHET RAM 514-717mm	1
17	153-0010	HYDRAULIC CYLINDER 2.5" X 12" LONG	1
18	153-0010	HYDRAULIC CYLINDER 2.5" X 12" LONG	1
19	202-0050	M10 HEX NUT ZINC FLANGE GR 8.8	2
20	451-1000	FLEXIROLLER MK2 TOW FRAME AF2500-5250	1
21	451-1006	LEVER ARM ASSEMBLY	1
22	451-1007	FLEXIROLLER MK2 TRANSPORT BAR FLEXI ROLLER	2
23	451-1008	FLEXIROLLER MK2 TOWBAR WELD ASSY. 2500 - 3750	1
24	451-1009	FLEXIROLLER MK2 LEVER ARM BOTTOM MOUNT	1
25	451-1013	FLEXI ROLLER WHEEL ASSY FIXING PLATE	2
26	451-1014	FLEXI ROLLER LH WHEEL ARM (OPTIONAL)	1
27	451-1015	FLEXI ROLLER RH WHEEL ARM (OPTIONAL)	1
28	451-1016	FLEXI ROLLER MAIN SUPPORT FRAME	1
29	451-1017	ROTOR DISC ASSEMBLY	1
30	451-1022	TOW CHAIN SAFETY SEED DRILL	1
31	456-2010	FLANGE BEARING UCF210	2
32	140-0039	LINCH PIN 11mm 32mm	5



FLEXI ROLLER SIZE			
CODE	WORKING WIDTH	ROLLING RING NUMBER	DESCRIPTION
451-2500	1.9m	30	FLEXIROLLERWITH NO WHEELS& HYD
451-2500	2.5m	40	FLEXIROLLERWITH WHEELS& HYD
451-2502	2.5m	40	FLEXIROLLERWITH NO WHEELS& HYD
451-2750	2.75m	44	FLEXIROLLERWITH WHEELS& HYD
451-2752	2.75m	44	FLEXIROLLERWITH NO WHEELS& HYD
451-2800	2.8m	45	FLEXIROLLERWITH WHEELS& HYD
451-2802	2.8m	45	FLEXIROLLERWITH NO WHEELS& HYD
451-2852	2.85m	46	FLEXIROLLERWITH NO WHEELS& HYD
451-3000	3.0m	48	FLEXIROLLERWITH WHEELS& HYD
451-3002	3.0m	48	FLEXIROLLERWITH NO WHEELS& HYD
451-3150	3.15m	50	FLEXIROLLERWITH WHEELS& HYD
451-3152	3.15m	50	FLEXIROLLERWITH NO WHEELS& HYD
451-3250	3.25m	52	FLEXIROLLERWITH WHEELS& HYD
451-3252	3.25m	52	FLEXIROLLERWITH NO WHEELS& HYD
451-3500	3.5m	56	FLEXIROLLERWITH WHEELS& HYD
451-3502	3.5m	56	FLEXIROLLERWITH NO WHEELS& HYD
451-3650	3.65m	58	FLEXIROLLERWITH WHEELS& HYD
451-3652	3.65m	58	FLEXIROLLERWITH NO WHEELS& HYD
451-3750	3.75m	60	FLEXIROLLERWITH WHEELS& HYD
451-3752	3.75m	60	FLEXIROLLERWITH NO WHEELS& HYD
451-4000	4.0m	64	FLEXIROLLERWITH WHEELS& HYD
451-4002	4.0m	64	FLEXIROLLERWITH NO WHEELS& HYD
451-4500	4.5m	72	FLEXIROLLERWITH WHEELS& HYD
451-4502	4.5m	72	FLEXIROLLERWITH NO WHEELS& HYD
451-5000	5.0m	80	FLEXIROLLERWITH WHEELS& HYD
451-5002	5.0m	80	FLEXIROLLERWITH NO WHEELS& HYD
451-5100	5.1m	82	FLEXIROLLERWITH WHEELS& HYD
451-5102	5.1m	82	FLEXIROLLERWITH NO WHEELS& HYD
451-5250	5.25m	84	FLEXIROLLERWITH WHEELS& HYD
451-5252	5.25m	84	FLEXIROLLERWITH NO WHEELS& HYD

<p align="center"><b>AGROWFLOW</b></p> <p align="center">COPYRIGHT RESERVED</p> <p align="center">THIS DRAWING IS THE PROPERTY AGROWFLOW PTY LTD, AND IS SUBJECT TO RETURN UPON DEMAND. IT IS SUBMITTED FOR USE ONLY IN CONNECTION WITH PROPOSALS OR CONTRACTS OF THIS ORGANISATION UPON THE EXPRESS CONDITION THAT IT IS NOT TO BE USED DIRECTLY OR INDIRECTLY IN ANY WAY DETRIMENTAL TO THE INTERESTES OF AGROWFLOW PTY LTD.</p>	<p><b>TRAILING FLEXI ROLLER</b></p>		<p>PART NUMBER</p> <p align="center"><b>451-0000</b></p>
	<p>LAST PRINTED 17/03/2020</p>	<p>TOTAL MASS Kg</p>	<p>SHEET: PAGE:</p> <p align="center">1 OF 2</p>



ITEM NO.	PART NUMBER	DESCRIPTION	QTY.
1	093-3001	FLEXIROLLER RING	45
2	093-3014	FLEXIROLLER RETAINING RING	1
3	112-0001	JACKSTAND 1.5t ROUND	1
4	133-4063	M20 x 80 HEX FLANGE BOLT ZINC GR 8.8	14
5	133-4087	M16 x 65 HEX BOLT ZINC GR8.8	8
6	133-4151	M10 x 65 HEX BOLT ZINC GR8.8	2
7	134-0057	WASHER FLAT M10	4
8	134-1046	M20 HEX NYLOCK NUT ZINC GR 8.8	14
9	134-4022	M16 HEX NUT ZINC PLATED GR 8.8	8
10	135-3036	WASHER FLAT M16	16
11	135-3040	WASHER FLAT M20	28
12	139-2015	TYRE & RIM 235/75 R15	2
13	140-0003	PIN CLEVIS 1 1/18" 105mm CAT2 LOWER	2
14	140-0004	PIN CLEVIS 1" 115mm CAT 2 TOP	2
15	140-0039	LINCH PIN 11mm 32mm	5
16	140-4039	PIN CLEVIS 1" 76mm CAT2	2
17	142-4210	RATCHET RAM 514-717mm	1
18	153-0010	HYDRAULIC CYLINDER 2.5" X 12" LONG	1
19	153-0010	HYDRAULIC CYLINDER 2.5" X 12" LONG	1
20	202-0050	M10 HEX NUT ZINC FLANGE GR 8.8	2
21	451-1000	FLEXIROLLER MK2 TOW FRAME AF2500-5250	1
22	451-1006	LEVER ARM ASSEMBLY	1
23	451-1007	FLEXIROLLER MK2 TRANSPORT BAR FLEXI ROLLER	2
24	451-1008	FLEXIROLLER MK2 TOWBAR WELD ASSY. 2500 - 3750	1
25	451-1009	FLEXIROLLER MK2 LEVER ARM BOTTOM MOUNT	1
26	451-1013	FLEXI ROLLER WHEEL ASSY FIXING PLATE	2
27	451-1014	FLEXI ROLLER LH WHEEL ARM (OPTIONAL)	1
28	451-1015	FLEXI ROLLER RH WHEEL ARM (OPTIONAL)	1
29	451-1016	FLEXI ROLLER MAIN SUPPORT FRAME	1
30	451-1017	ROTOR DISC ASSEMBLY	1
31	451-1022	TOW CHAIN SAFETY SEED DRILL	1
32*	456-2010	FLANGE BEARING UCF210	2

<b>AGROWFLOW</b>	<b>TRAILING FLEXI ROLLER</b>	PART NUMBER <b>451-0000</b>
COPYRIGHT RESERVED THIS DRAWING IS THE PROPERTY AGROWFLOW PTY LTD, AND IS SUBJECT TO RETURN UPON DEMAND. IT IS SUBMITTED FOR USE ONLY IN CONNECTION WITH PROPOSALS OR CONTRACTS OF THIS ORGANISATION UPON THE EXPRESS CONDITION THAT IT IS NOT TO BE USED DIRECTLY OR INDIRECTLY IN ANY WAY DETRIMENTAL TO THE INTERESTS OF AGROWFLOW PTY LTD.	LAST PRINTED 17/03/2020	SHEET: 2 OF 2 PAGE: