

**AGROW** PLOW<sup>®</sup>

**AD130 SPARE PARTS MANUAL**

v20.1

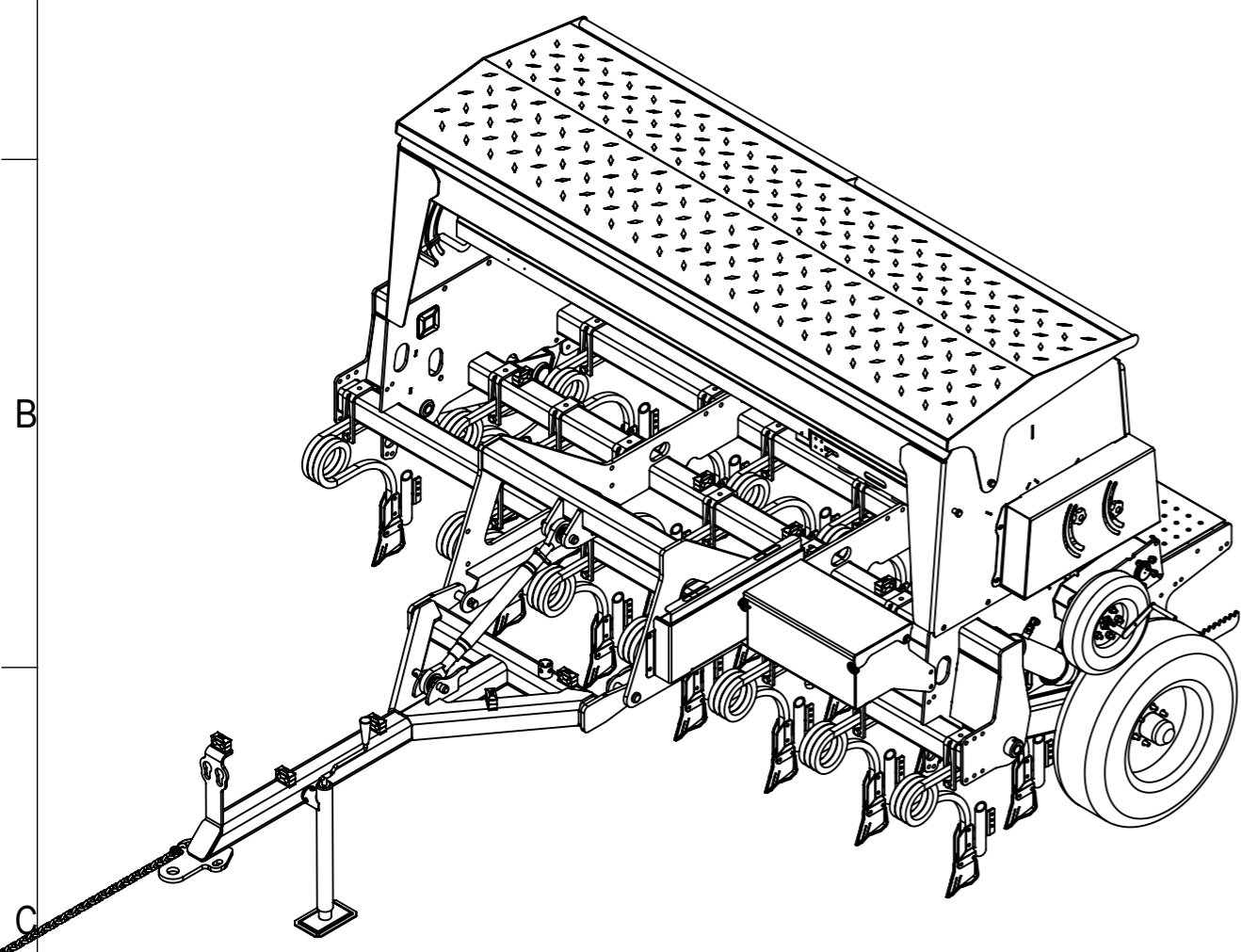
---

# AD130 SPARE PARTS

---

## Table of Contents

	PAGE
1. AD130	
• Machine Range	3
○ Hydraulics	11
2. AD130 SEED DRILL SUB ASSEMBLIES	
• HOPPER ASSEMBLIES	12
• FRAME ASSEMBLY and TYNE LAYOUTS	19
• HITCH ASSEMBLIES	30
• WHEEL ARM ASSEMBLIES	32
• DRIVE ASSEMBLY	37
• PLATFORM ASSEMBLY	41
• DECAL KIT	42
3. AD130 OPTIONS	
• DISC COULTER ASSEMBLY	45
• SMALL SEED BOX ASSEMBLY	51
• HARROW ASSEMBLIES	61
• ROAD KIT ASSEMBLIES	69
• REAR TOW HITCH ASSEMBLY	71
4. REFERENCE COMPONENTS	
• HYDRAULIC MOUNTING BLOCKS	74



ITEM NO.	PART NUMBER	DESCRIPTION	16x150 TRAILING TYNE/QTY.	16x150 TRAILING DISC /QTY.	16x150 CAT2 TYNE/QTY.	16x150 CAT2 DISC/QTY.	20x150 TRAILING TYNE/QTY.	20x150 TRAILING DISC/QTY.	20x150 CAT2 TYNE/QTY.	20x150 CAT2 DISC/QTY.	12x150 CAT2 TYNE/QTY.	12x150 TRAILING TYNE/QTY.
1	630-1100	AD130 HYD WHEEL LIFT HOSE KIT	1	1	-	-	1	1	-	-	-	1
2	630-2001	AD130 HYD LIFT WHEEL ARM LEFT	1	1	-	-	1	1	-	-	1	1
3	630-2002	AD130 HYD LIFT WHEEL ARM RIGHT	1	1	-	-	1	1	-	-	1	1
4	630-2005	AD130 DRIVE ASSEMBLY	1	1	1	1	1	1	1	1	1	1
5	630-2006	AD130 20x150 REAR PLATFORM	-	-	-	-	1	1	1	1	-	-
6	630-2008	AD130 FRONT HITCH TRAILING	1	1	-	-	1	1	-	-	-	1
7	630-2009	AD130 20x150 SEED BOX	-	-	-	-	1	1	1	1	-	-
8	630-2013	AD130 16x150 SEED BOX	1	1	1	1	-	-	-	-	-	-
9	630-2014	AD130 FRONT HITCH 3pt LINK CAT2	-	-	1	1	-	-	1	1	-	-
10	630-2020	AD130 20x150 FRAME WITH TYNES	-	-	-	-	1	-	1	-	-	-
11	630-2021	AD130 16x150 FRAME WITH TYNES	1	-	1	-	-	-	-	-	-	-
12	630-2029	AD130 DEPTH STOP WHEEL ARM LEFT	-	-	1	1	-	-	1	1	-	-
13	630-2030	AD130 DEPTH STOP WHEEL ARM RIGHT	-	-	1	1	-	-	1	1	-	-
14	630-2033	AD130 20x150 FRAME WITH DISCS	-	-	-	-	-	1	-	1	-	-
15	630-2034	AD130 16x150 FRAME WITH DISCS	-	1	-	1	-	-	-	-	-	-
16	630-2041	AD130 12x150 SEED BOX	-	-	-	-	-	-	-	-	1	1
17	630-2043	AD130 12x150 FRAME WITH TYNES	-	-	-	-	-	-	-	-	1	1
18	630-2045	AD130 12x150 REAR PLATFORM	-	-	-	-	-	-	-	-	1	1
19	630-2046	AD130 16x150 REAR PLATFORM	1	1	1	1	-	-	-	-	-	-
20	630-4146	VARIBOX GUARD INSIDE	1	1	1	1	1	1	1	1	1	1
21	630-4147	VARIBOX GUARD FRAME MOUNT	1	1	1	1	1	1	1	1	1	1

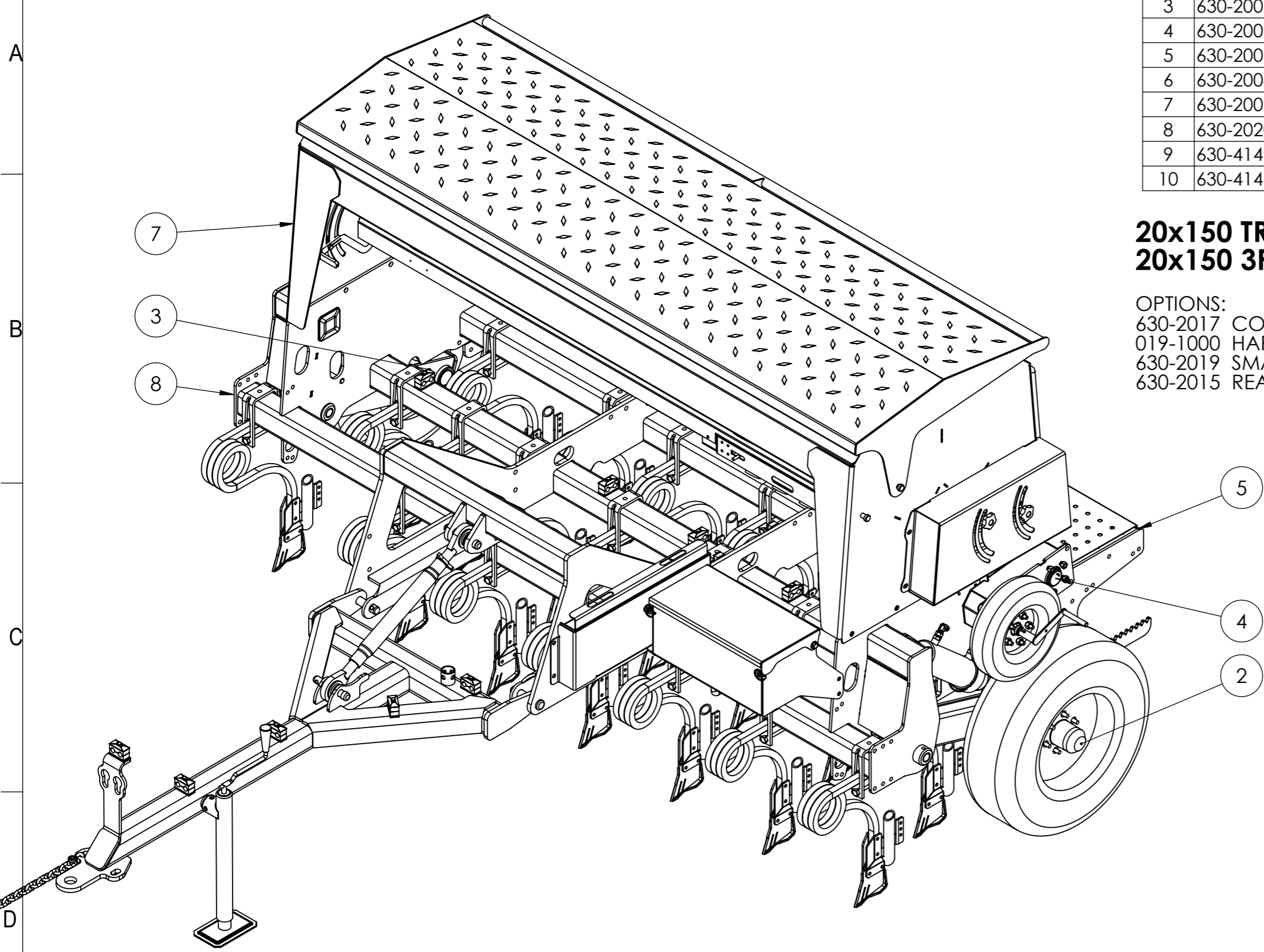
NOTE:  
 MACHINES WITH SERIAL NUMBER UP TO AD130-14-18 SUIT PASTURE DISC 400  
 MACHINES WITH SERIAL NUMBER FROM AD130-15-18 SUIT 401 DOUBLE DISC  
 ALL MACHINES SUIT 425 COIL TYNES

**AGROWFLOW**  
 COPYRIGHT RESERVED  
 THIS DRAWING IS THE PROPERTY AGROWFLOW PTY LTD, AND IS SUBJECT TO RETURN UPON DEMAND. IT IS SUBMITTED FOR USE ONLY IN CONNECTION WITH PROPOSALS OR CONTRACTS OF THIS ORGANISATION UPON THE EXPRESS CONDITION THAT IT IS NOT TO BE USED DIRECTLY OR INDIRECTLY IN ANY WAY DETRIMENTAL TO THE INTERESTS OF AGROWFLOW PTY LTD.

TITLE: **AD130 SEED DRILL**  
 5/02/2020

**MACHINE RANGE**  
 PART NUMBER **630-1000**  
 SHEET: 1 OF 8 PAGE: 3

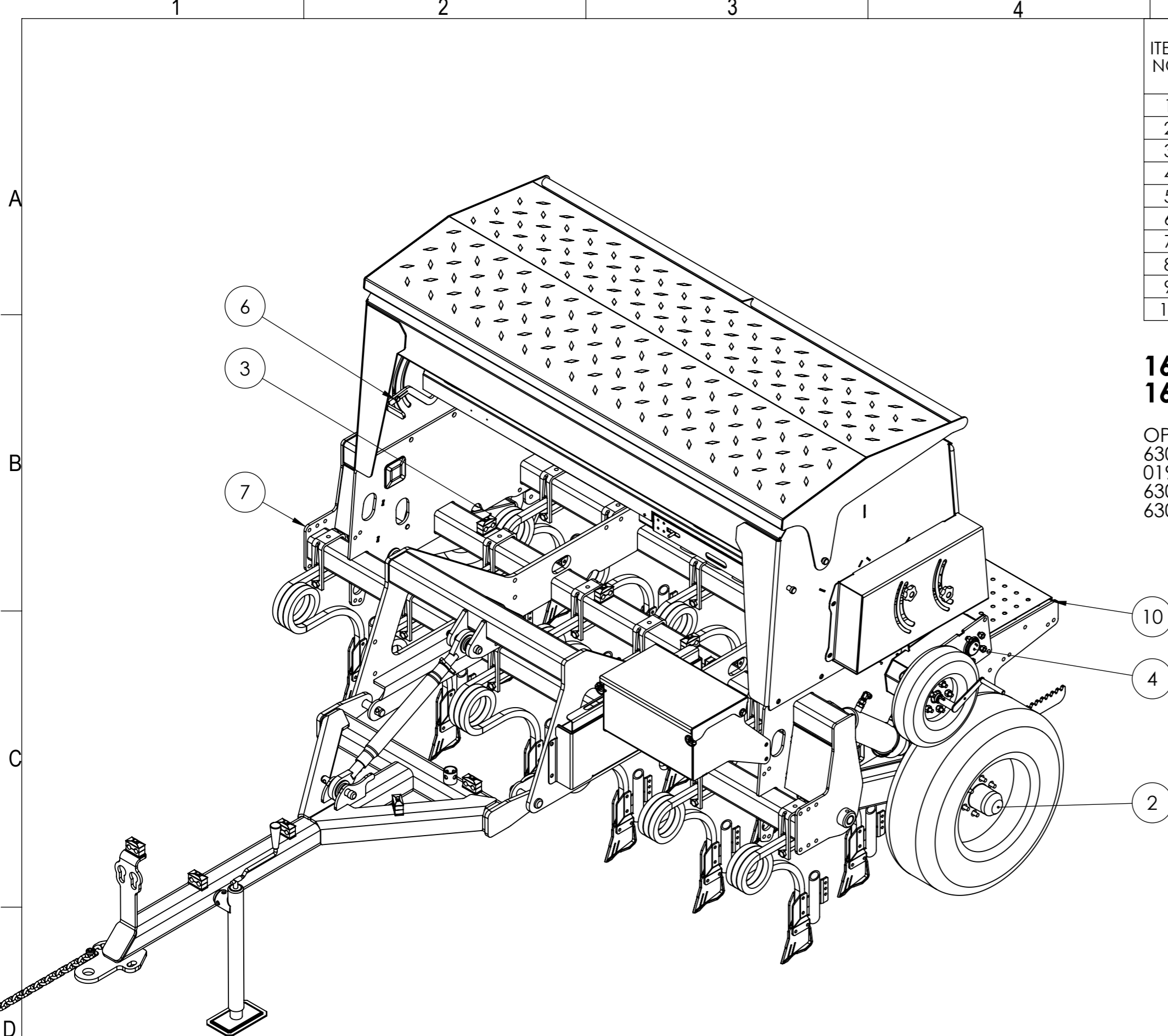
ITEM NO.	PART NUMBER	DESCRIPTION	20x150 TRAILING TYNE/20x150 TYNE/QTY.
1	630-1100	AD130 HYD WHEEL LIFT HOSE KIT	1
2	630-2001	AD130 HYD LIFT WHEEL ARM LEFT	1
3	630-2002	AD130 HYD LIFT WHEEL ARM RIGHT	1
4	630-2005	AD130 DRIVE ASSEMBLY	1
5	630-2006	AD130 20x150 REAR PLATFORM	1
6	630-2008	AD130 FRONT HITCH TRAILING	1
7	630-2009	AD130 20x150 SEED BOX	1
8	630-2020	AD130 20x150 FRAME WITH TYNES	1
9	630-4146	VARIBOX GUARD INSIDE	1
10	630-4147	VARIBOX GUARD FRAME MOUNT	1



**20x150 TRAILING TYNES 630-1001**  
**20x150 3PT LINK TYNES 630-1003**

- OPTIONS:  
630-2017 COULTERS  
019-1000 HARROWS  
630-2019 SMALL SEED BOX  
630-2015 REAR TOW HITCH

<p><b>AGROWFLOW</b></p> <p><small>COPYRIGHT RESERVED</small></p> <p><small>THIS DRAWING IS THE PROPERTY AGROWFLOW PTY LTD, AND IS SUBJECT TO RETURN UPON DEMAND. IT IS SUBMITTED FOR USE ONLY IN CONNECTION WITH PROPOSALS OR CONTRACTS OF THIS ORGANISATION UPON THE EXPRESS CONDITION THAT IT IS NOT TO BE USED DIRECTLY OR INDIRECTLY IN ANY WAY DETRIMENTAL TO THE INTERESTS OF AGROWFLOW PTY LTD.</small></p>	<p>TITLE: <b>AD130 SEED DRILL</b></p>	<p>PART NUMBER <b>630-1000</b></p>
	<p>5/02/2020</p>	<p>SHEET: PAGE: <b>4</b></p> <p>2 OF 8</p>



ITEM NO.	PART NUMBER	DESCRIPTION	16x150 TRAILING TYNE/16x150 TYNE/QTY.
1	630-1100	AD130 HYD WHEEL LIFT HOSE KIT	1
2	630-2001	AD130 HYD LIFT WHEEL ARM LEFT	1
3	630-2002	AD130 HYD LIFT WHEEL ARM RIGHT	1
4	630-2005	AD130 DRIVE ASSEMBLY	1
5	630-2008	AD130 FRONT HITCH TRAILING	1
6	630-2013	AD130 16x150 SEED BOX	1
7	630-2021	AD130 16x150 FRAME WITH TYNES	1
8	630-4146	VARIBOX GUARD INSIDE	1
9	630-4147	VARIBOX GUARD FRAME MOUNT	1
10	630-2046	AD130 16x150 REAR PLATFORM	1

**16x150 TRAILING TYNES 630-1002**  
**16x150 3PT LINK TYNES 630-1004**

OPTIONS:  
 630-2016 COULTERS  
 019-1000 HARROWS  
 630-2018 SMALL SEED BOX  
 630-2015 REAR TOW HITCH

**AGROWFLOW**  
 COPYRIGHT RESERVED  
 THIS DRAWING IS THE PROPERTY AGROWFLOW PTY LTD, AND IS SUBJECT TO RETURN UPON DEMAND. IT IS SUBMITTED FOR USE ONLY IN CONNECTION WITH PROPOSALS OR CONTRACTS OF THIS ORGANISATION UPON THE EXPRESS CONDITION THAT IT IS NOT TO BE USED DIRECTLY OR INDIRECTLY IN ANY WAY DETRIMENTAL TO THE INTERESTES OF AGROWFLOW PTY LTD.

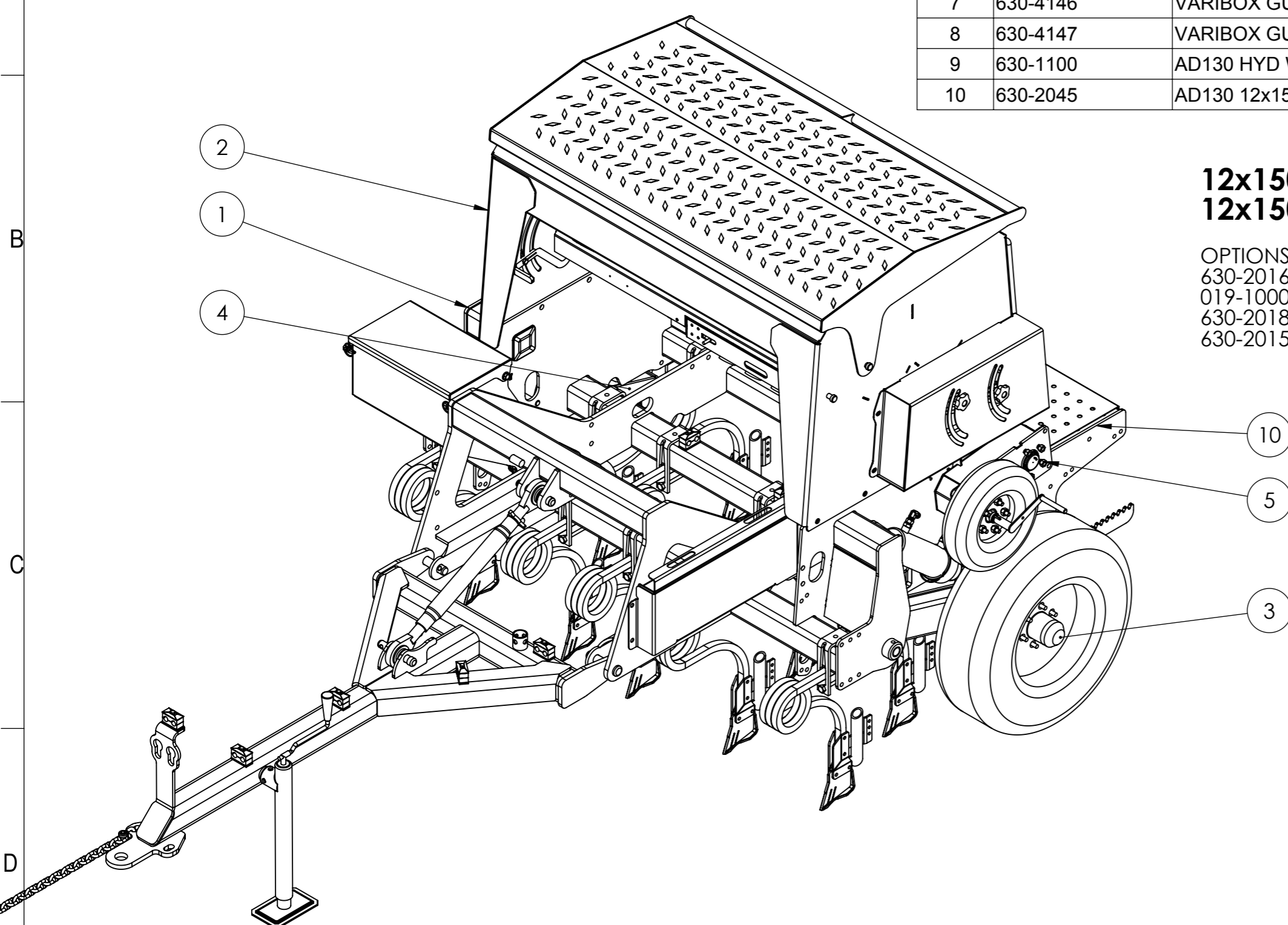
TITLE: **AD130 SEED DRILL**

PART NUMBER **630-1000**  
 SHEET: 3 OF 8 PAGE: 5  
 5/02/2020

ITEM NO.	PART NUMBER	DESCRIPTION	12x150 TRAILING TYNE/QTY.
1	630-2043	AD130 12x150 FRAME WITH TYNES	1
2	630-2041	AD130 12x150 SEED BOX	1
3	630-2001	AD130 HYD LIFT WHEEL ARM LEFT	1
4	630-2002	AD130 HYD LIFT WHEEL ARM RIGHT	1
5	630-2005	AD130 DRIVE ASSEMBLY	1
6	630-2008	AD130 FRONT HITCH TRAILING	1
7	630-4146	VARIBOX GUARD INSIDE	1
8	630-4147	VARIBOX GUARD FRAME MOUNT	1
9	630-1100	AD130 HYD WHEEL LIFT HOSE KIT	1
10	630-2045	AD130 12x150 REAR PLATFORM	1

A  
B  
C  
D

A  
B  
C  
D

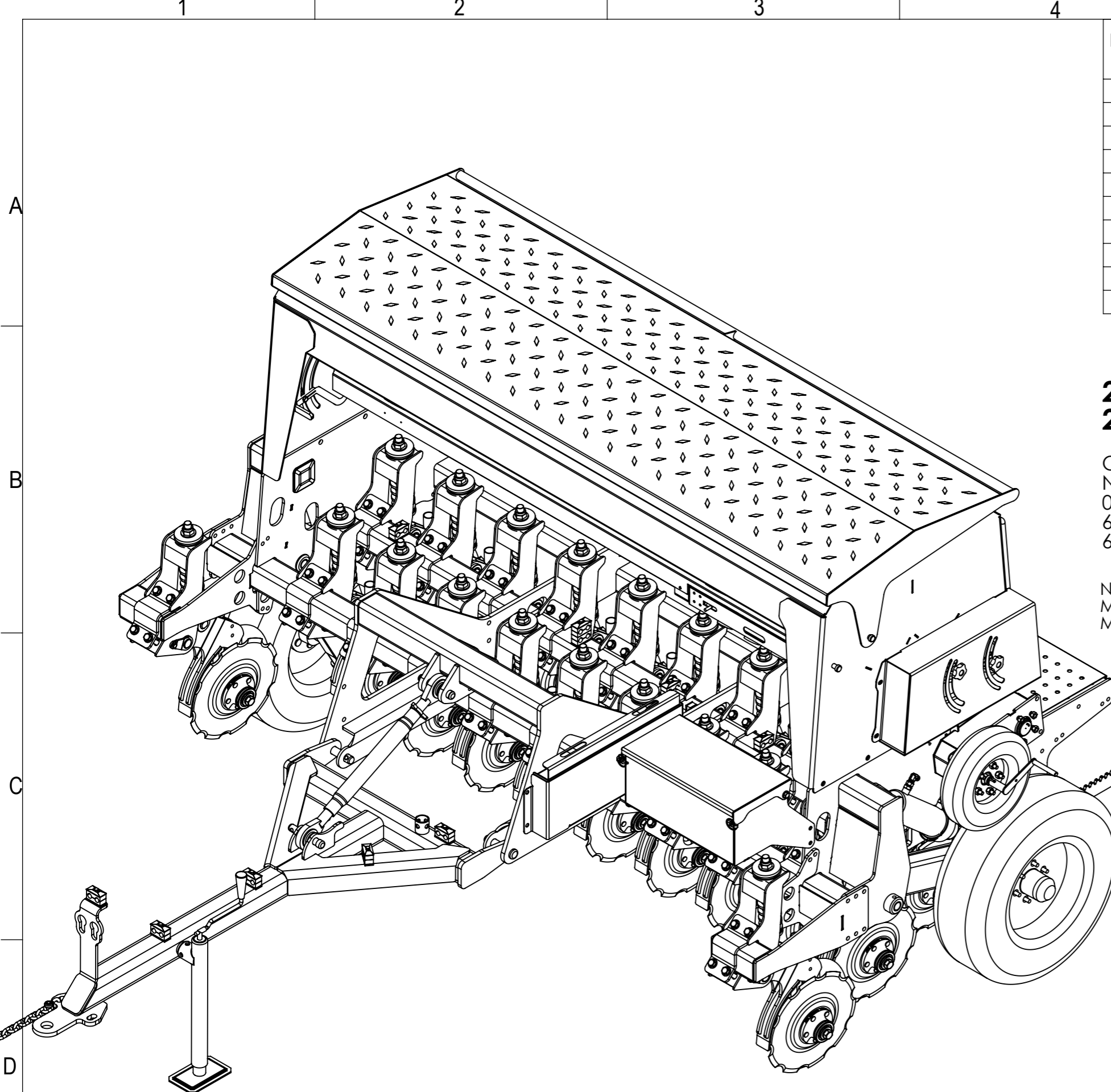


**12x150 TRAILING TYNES 630-1011**  
**12x150 3PT LINK TYNES 630-1012**

- OPTIONS:  
630-2016 COULTERS  
019-1000 HARROWS  
630-2018 SMALL SEED BOX  
630-2015 REAR TOW HITCH

<b>AGROWFLOW</b> <small>COPYRIGHT RESERVED  THIS DRAWING IS THE PROPERTY AGROWFLOW PTY LTD, AND IS SUBJECT TO RETURN UPON DEMAND. IT IS SUBMITTED FOR USE ONLY IN CONNECTION WITH PROPOSALS OR CONTRACTS OF THIS ORGANISATION UPON THE EXPRESS CONDITION THAT IT IS NOT TO BE USED DIRECTLY OR INDIRECTLY IN ANY WAY DETRIMENTAL TO THE INTERESTES OF AGROWFLOW PTY LTD.</small>	TITLE: <b>AD130 SEED DRILL</b>	PART NUMBER <b>630-1000</b>
	5/02/2020	

1 2 3 4 5 6



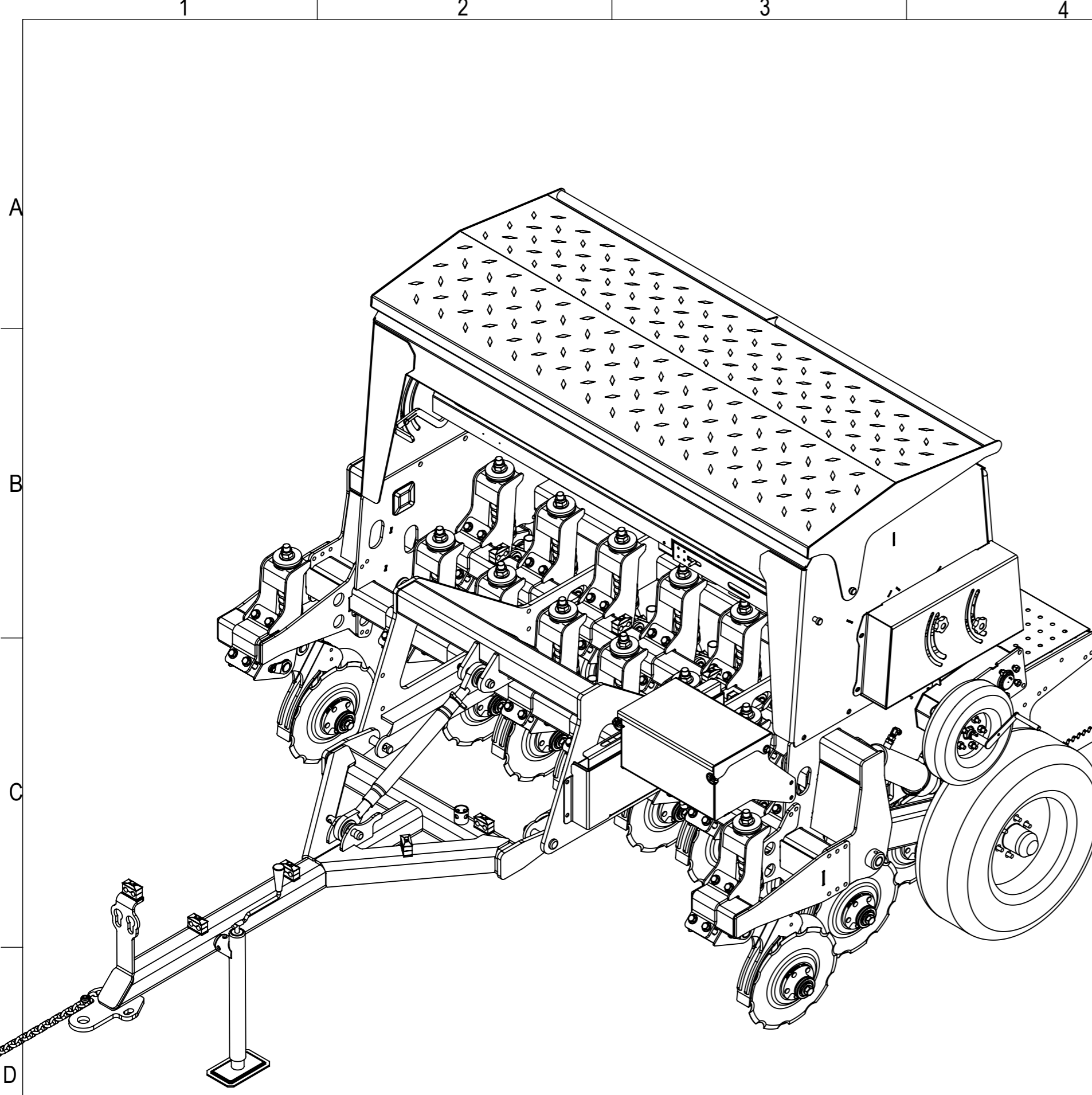
ITEM NO.	PART NUMBER	DESCRIPTION	20x150 TRAILING DISC/20x150 DISC/QTY.
1	630-1100	AD130 HYD WHEEL LIFT HOSE KIT	1
2	630-2001	AD130 HYD LIFT WHEEL ARM LEFT	1
3	630-2002	AD130 HYD LIFT WHEEL ARM RIGHT	1
4	630-2005	AD130 DRIVE ASSEMBLY	1
5	630-2006	AD130 20x150 REAR PLATFORM	1
6	630-2008	AD130 FRONT HITCH TRAILING	1
7	630-2009	AD130 20x150 SEED BOX	1
8	630-2033	AD130 20x150 FRAME WITH DISCS	1
9	630-4146	VARIBOX GUARD INSIDE	1
10	630-4147	VARIBOX GUARD FRAME MOUNT	1

**20x150 TRAILING DISC DRILL 630-1005**  
**20x150 3PT LINK DISC DRILL 630-1007**

OPTIONS:  
 NO COULTER OPTION  
 019-1000 HARROWS  
 630-2018 SMALL SEED BOX  
 630-2015 REAR TOW HITCH

NOTE:  
 MACHINES WITH SERIAL NUMBER UP TO AD130-14-18 SUIT PASTURE DISC 400  
 MACHINES WITH SERIAL NUMBER FROM AD130-15-18 SUIT 401 DOUBLE DISC

<b>AGROWFLOW</b> <small>COPYRIGHT RESERVED</small> <small>THIS DRAWING IS THE PROPERTY AGROWFLOW PTY LTD, AND IS SUBJECT TO RETURN UPON DEMAND. IT IS SUBMITTED FOR USE ONLY IN CONNECTION WITH PROPOSALS OR CONTRACTS OF THIS ORGANISATION UPON THE EXPRESS CONDITION THAT IT IS NOT TO BE USED DIRECTLY OR INDIRECTLY IN ANY WAY DETRIMENTAL TO THE INTERESTS OF AGROWFLOW PTY LTD.</small>	TITLE: <b>AD130 SEED DRILL</b>	PART NUMBER <b>630-1000</b>
	5/02/2020	



ITEM NO.	PART NUMBER	DESCRIPTION	16x150 TRAILING DISC /QTY.
1	630-1100	AD130 HYD WHEEL LIFT HOSE KIT	1
2	630-2001	AD130 HYD LIFT WHEEL ARM LEFT	1
3	630-2002	AD130 HYD LIFT WHEEL ARM RIGHT	1
4	630-2005	AD130 DRIVE ASSEMBLY	1
5	630-2008	AD130 FRONT HITCH TRAILING	1
6	630-2013	AD130 16x150 SEED BOX	1
7	630-2034	AD130 16x150 FRAME WITH DISCS	1
8	630-4146	VARIBOX GUARD INSIDE	1
9	630-4147	VARIBOX GUARD FRAME MOUNT	1
10	630-2046	AD130 16x150 REAR PLATFORM	1

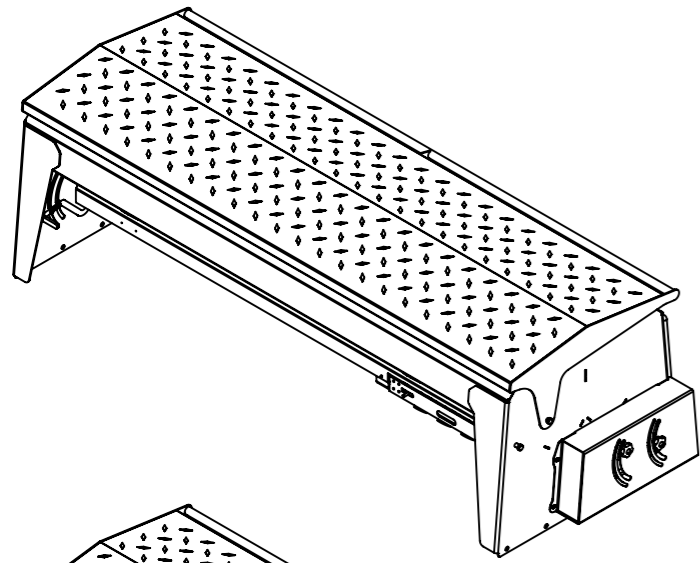
**16x150 TRAILING DISC DRILL 630-1006**  
**16x150 3PT LINK DISC DRILL 630-1008**

OPTIONS:  
 NO COULTER OPTION  
 019-1000 HARROWS  
 630-2018 SMALL SEED BOX  
 630-2015 REAR TOW HITCH

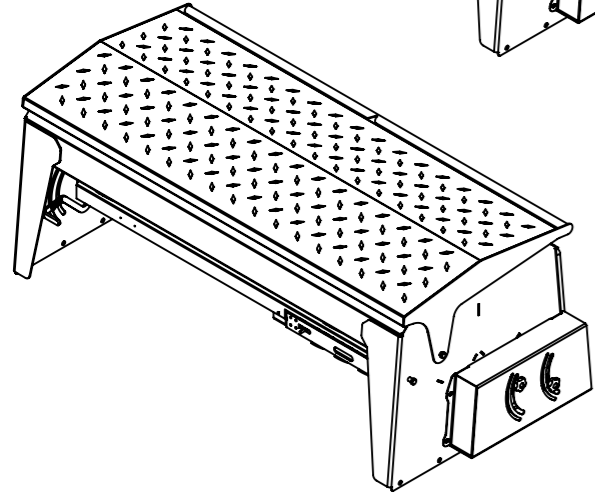
NOTE:  
 MACHINES WITH SERIAL NUMBER UP TO AD130-14-18 SUIT PASTURE DISC 400  
 MACHINES WITH SERIAL NUMBER FROM AD130-15-18 SUIT DOUBLE DISC 401

<b>AGROWFLOW</b> <small>COPYRIGHT RESERVED</small> <small>THIS DRAWING IS THE PROPERTY AGROWFLOW PTY LTD, AND IS SUBJECT TO RETURN UPON DEMAND. IT IS SUBMITTED FOR USE ONLY IN CONNECTION WITH PROPOSALS OR CONTRACTS OF THIS ORGANISATION UPON THE EXPRESS CONDITION THAT IT IS NOT TO BE USED DIRECTLY OR INDIRECTLY IN ANY WAY DETRIMENTAL TO THE INTERESTES OF AGROWFLOW PTY LTD.</small>	TITLE: <b>AD130 SEED DRILL</b>	PART NUMBER <b>630-1000</b>
	5/02/2020	

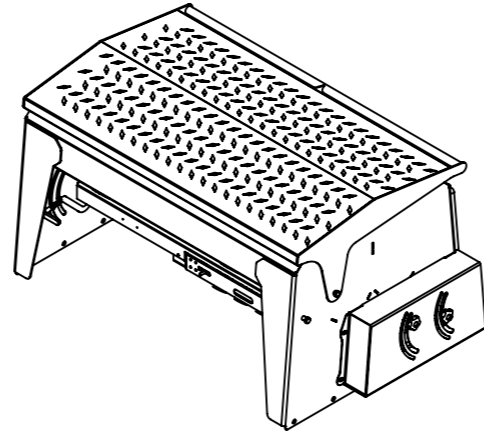




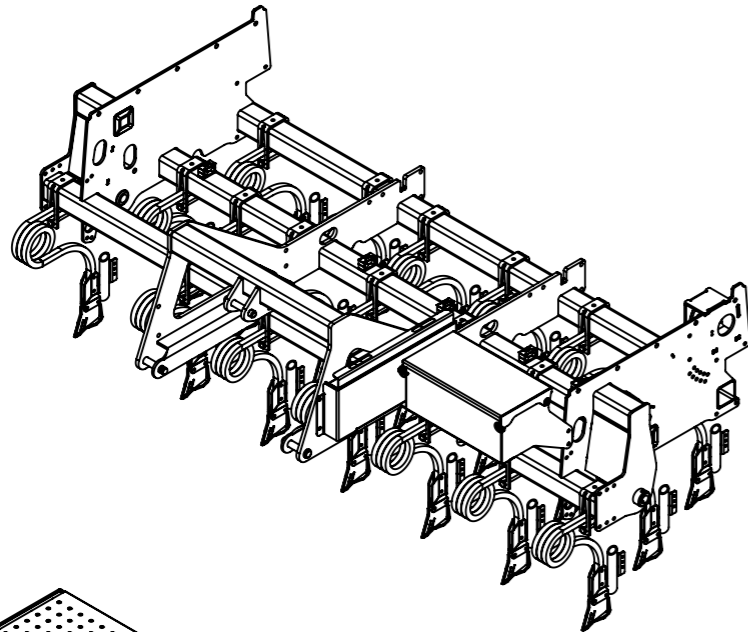
630-2009  
AD130 20x150 SEED BOX



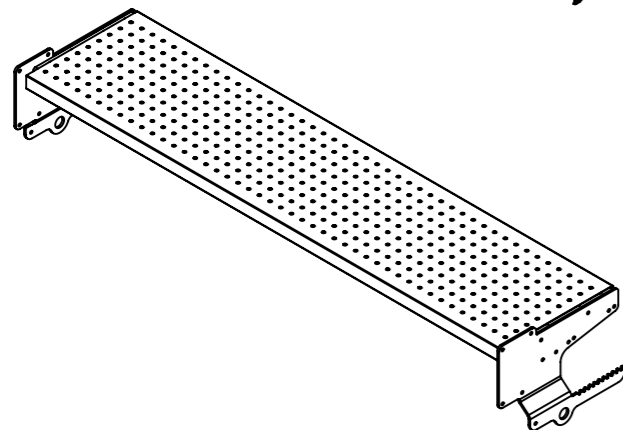
630-2013  
AD130 16x150 SEED BOX



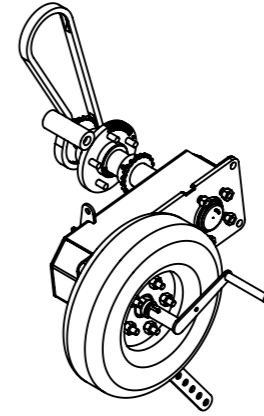
630-2041  
AD130 12x150 SEED BOX



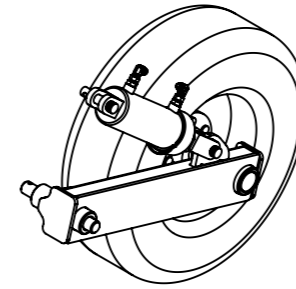
630-2010 AD130 FRAME ASSEMBLY  
ALL ROW SPACINGS, DISCS AND TYNES  
630-2020, 630-2021, 630-2033, 630-2034, 630-2043



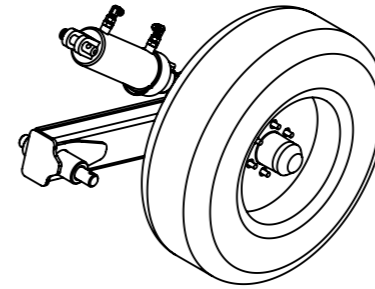
630-2006  
AD130 REAR PLATFORM



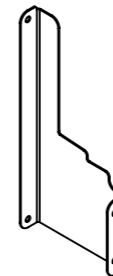
630-2005  
AD130 DRIVE ASSEMBLY



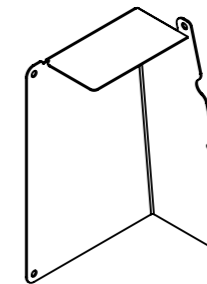
630-2002 AD130 HYD LIFT WHEEL ARM RIGHT  
630-2030 AD130 DEPTH STOP WHEEL ARM RIGHT



630-2001 AD130 HYD LIFT WHEEL ARM LEFT  
630-2029 AD130 DEPTH STOP WHEEL ARM LEFT



630-4147  
VARIBOX GUARD FRAME MOUNT



630-4146  
VARIBOX GUARD INSIDE

### MACHINE SUB ASSEMBLIES

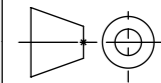
**AGROWFLOW**  
COPYRIGHT RESERVED  
THIS DRAWING IS THE PROPERTY AGROWFLOW PTY LTD, AND IS SUBJECT TO RETURN UPON DEMAND. IT IS SUBMITTED FOR USE ONLY IN CONNECTION WITH PROPOSALS OR CONTRACTS OF THIS ORGANISATION UPON THE EXPRESS CONDITION THAT IT IS NOT TO BE USED DIRECTLY OR INDIRECTLY IN ANY WAY DETRIMENTAL TO THE INTERESTS OF AGROWFLOW PTY LTD.

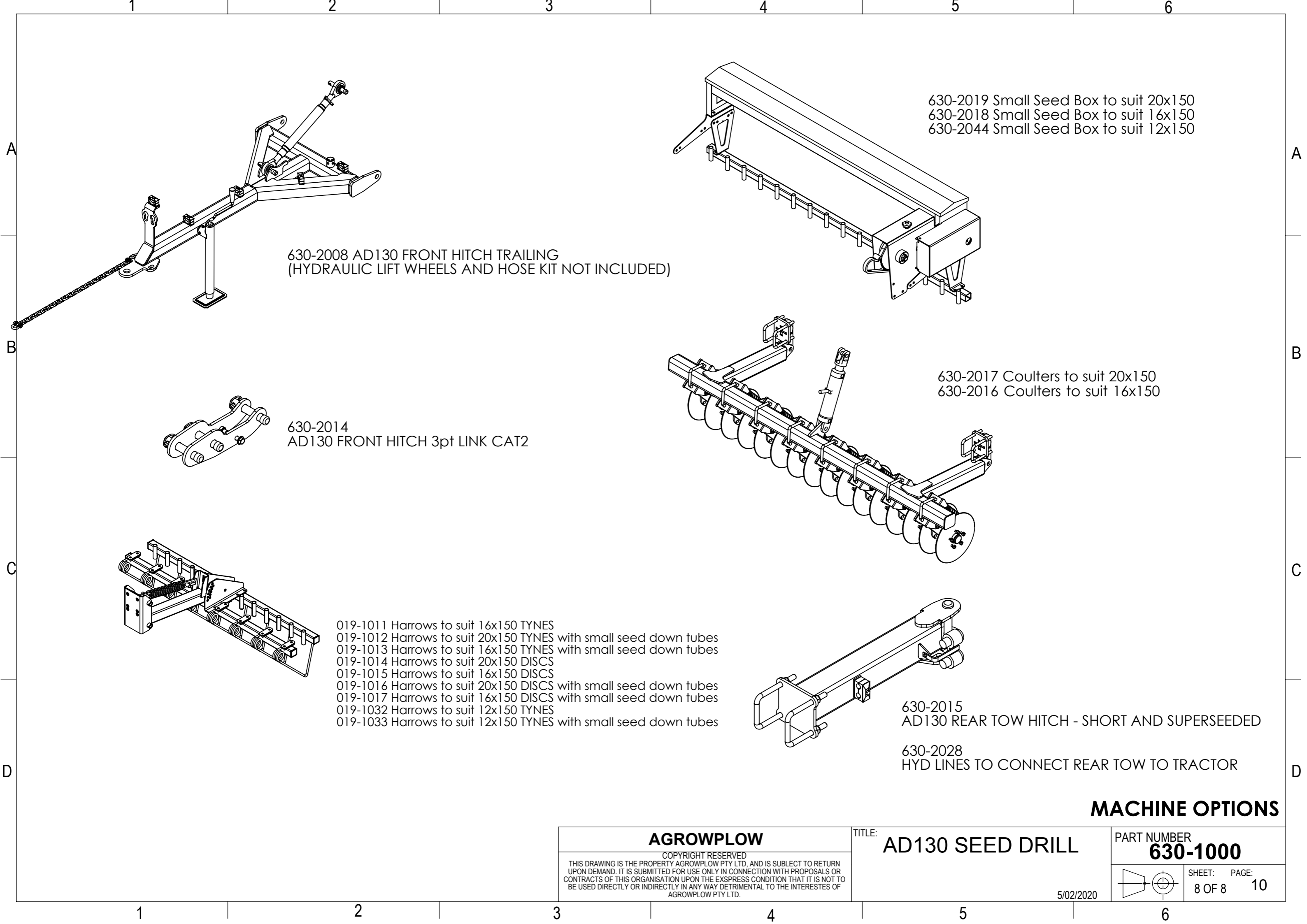
TITLE: **AD130 SEED DRILL**

PART NUMBER  
**630-1000**

SHEET: 7 OF 8 PAGE: 9

5/02/2020





630-2008 AD130 FRONT HITCH TRAILING  
(HYDRAULIC LIFT WHEELS AND HOSE KIT NOT INCLUDED)

630-2019 Small Seed Box to suit 20x150  
630-2018 Small Seed Box to suit 16x150  
630-2044 Small Seed Box to suit 12x150

630-2014  
AD130 FRONT HITCH 3pt LINK CAT2

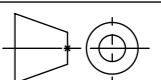
630-2017 Coulters to suit 20x150  
630-2016 Coulters to suit 16x150

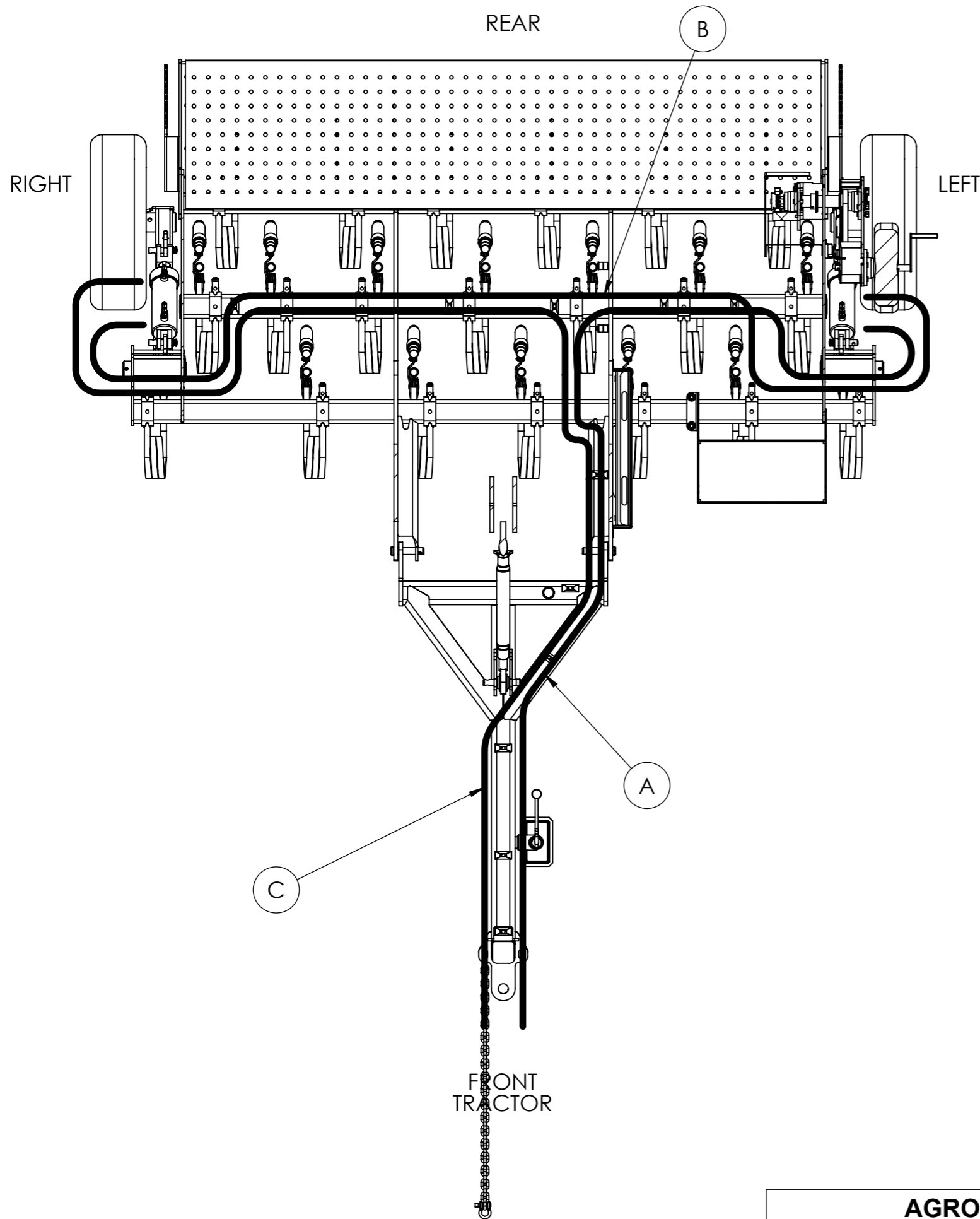
019-1011 Harrows to suit 16x150 TYNES  
019-1012 Harrows to suit 20x150 TYNES with small seed down tubes  
019-1013 Harrows to suit 16x150 TYNES with small seed down tubes  
019-1014 Harrows to suit 20x150 DISCS  
019-1015 Harrows to suit 16x150 DISCS  
019-1016 Harrows to suit 20x150 DISCS with small seed down tubes  
019-1017 Harrows to suit 16x150 DISCS with small seed down tubes  
019-1032 Harrows to suit 12x150 TYNES  
019-1033 Harrows to suit 12x150 TYNES with small seed down tubes

630-2015  
AD130 REAR TOW HITCH - SHORT AND SUPERSEDED

630-2028  
HYD LINES TO CONNECT REAR TOW TO TRACTOR

**MACHINE OPTIONS**

<b>AGROWFLOW</b>	TITLE: <b>AD130 SEED DRILL</b>	PART NUMBER <b>630-1000</b>
<small>COPYRIGHT RESERVED THIS DRAWING IS THE PROPERTY AGROWFLOW PTY LTD, AND IS SUBJECT TO RETURN UPON DEMAND. IT IS SUBMITTED FOR USE ONLY IN CONNECTION WITH PROPOSALS OR CONTRACTS OF THIS ORGANISATION UPON THE EXPRESS CONDITION THAT IT IS NOT TO BE USED DIRECTLY OR INDIRECTLY IN ANY WAY DETRIMENTAL TO THE INTERESTES OF AGROWFLOW PTY LTD.</small>	5/02/2020	 SHEET: 8 OF 8    PAGE: 10



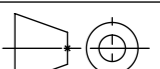
**HYDRAULIC HOSE LENGTHS  
3/8" HOSE FITTED WITH 3/4" JIC FEMALE CONNECTOR**

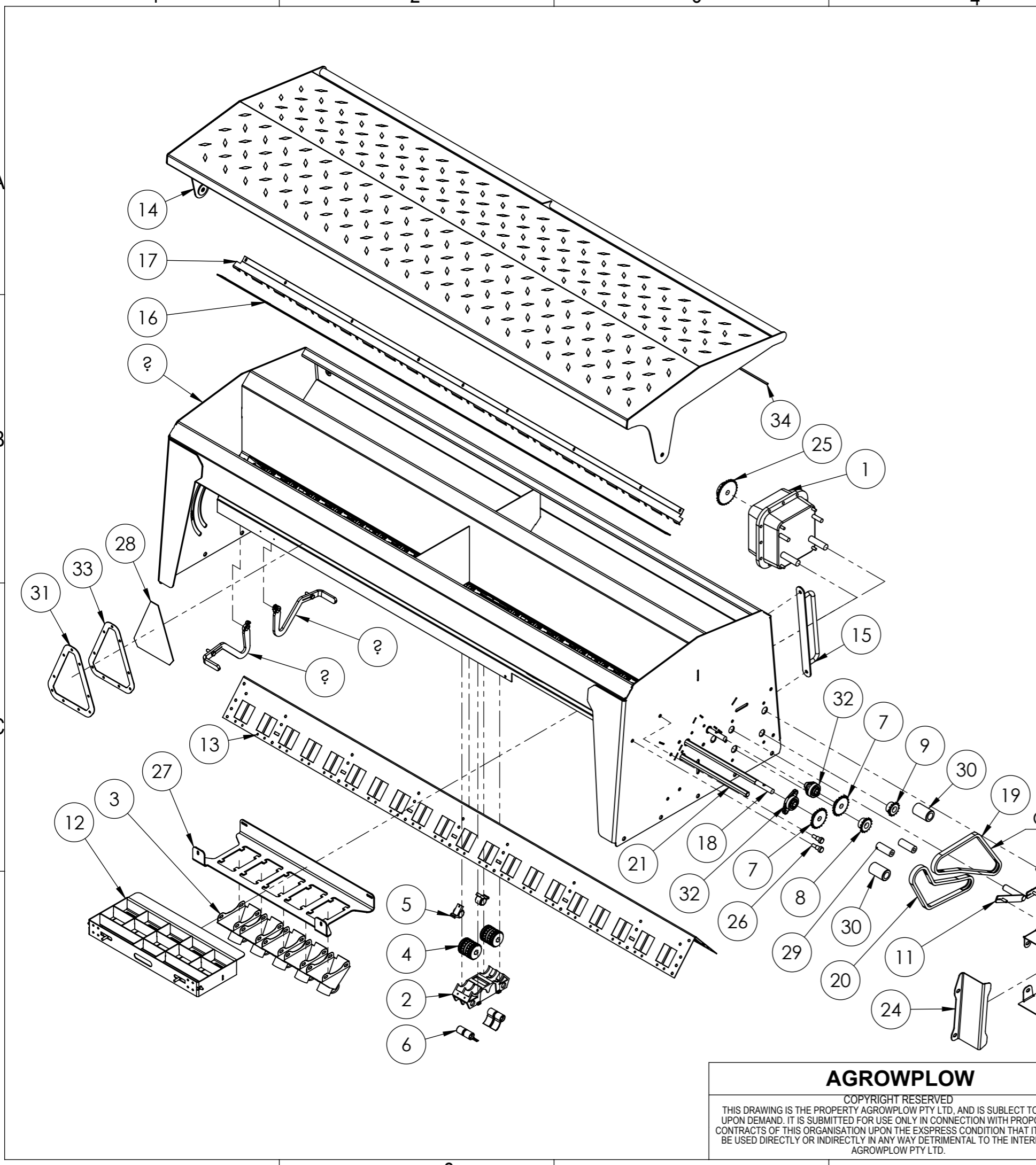
ITEM	DESCRIPTION	TRAILING 20X150	TRAILING 16X150	TRAILING 12X150
A	FROM TRACTOR TO TOP OF LEFT HYD	6000	5750	5500
B	FROM BOTTOM OF LEFT HYD TO TOP OF RIGHT HYD	3950	3500	3050
C	FROM BOTTOM OF RIGHT HYD TO TRACTOR	6720	6470	6120

**MACHINE HYDRAULIC LIFT  
HOSE LENGTHS**

**AGROWFLOW**  
COPYRIGHT RESERVED  
 THIS DRAWING IS THE PROPERTY AGROWFLOW PTY LTD, AND IS SUBJECT TO RETURN  
 UPON DEMAND. IT IS SUBMITTED FOR USE ONLY IN CONNECTION WITH PROPOSALS OR  
 CONTRACTS OF THIS ORGANISATION UPON THE EXPRESS CONDITION THAT IT IS NOT TO  
 BE USED DIRECTLY OR INDIRECTLY IN ANY WAY DETRIMENTAL TO THE INTERESTS OF  
 AGROWFLOW PTY LTD.

TITLE:  
**AD130 SEED DRILL  
 WHEEL LIFT HYD  
 HOSE KIT**  
 5/02/2020

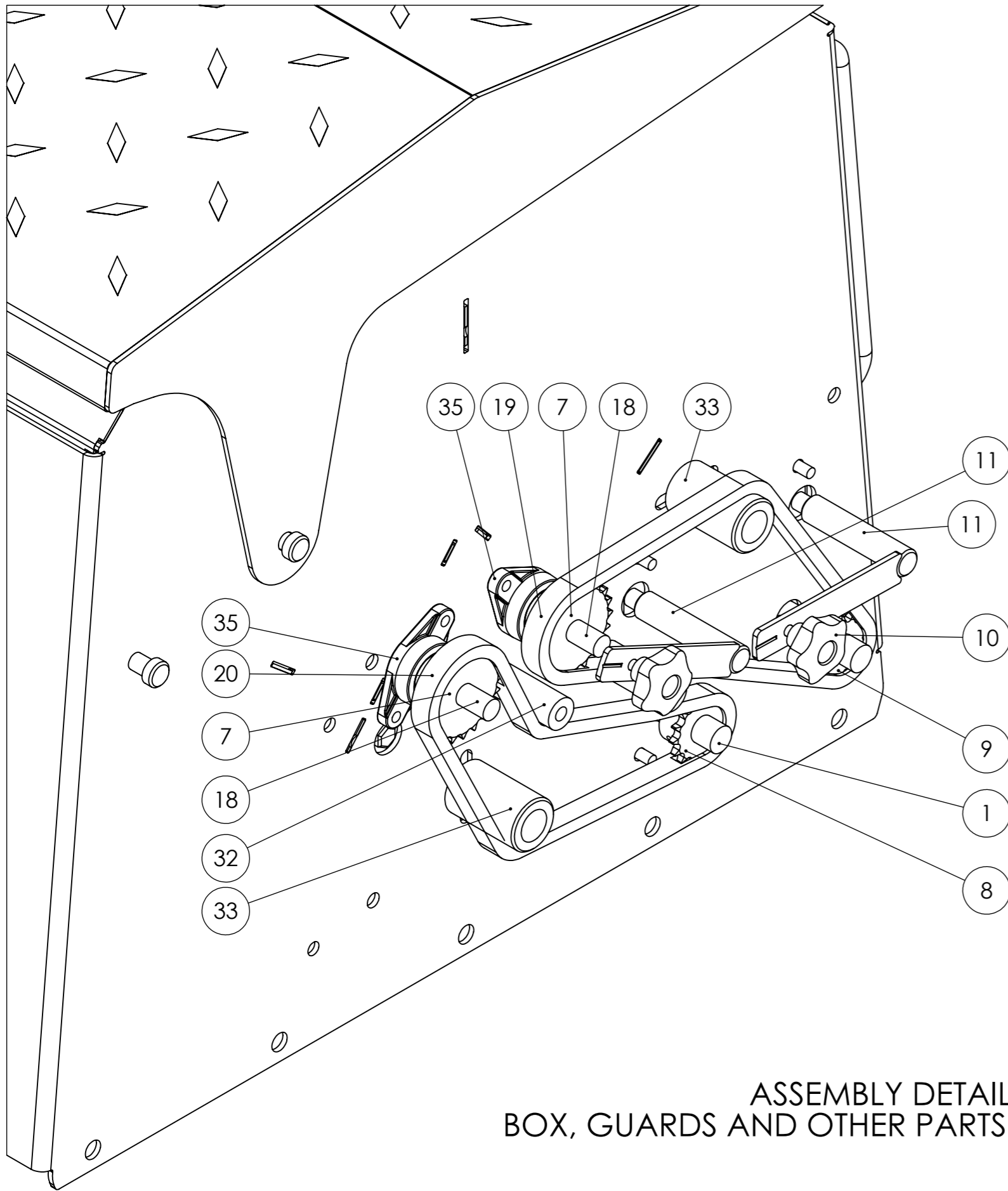
PART NUMBER  
**630-1100**  
  
 SHEET: PAGE:  
 1 OF 1 11



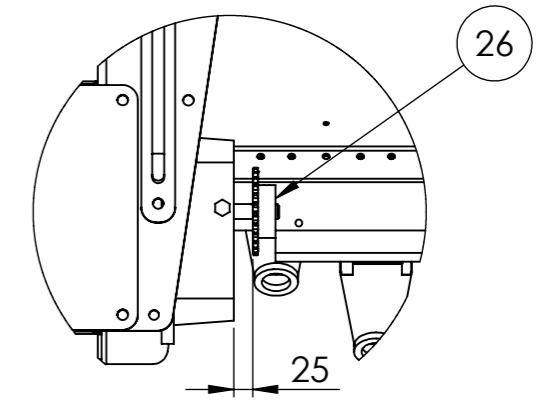
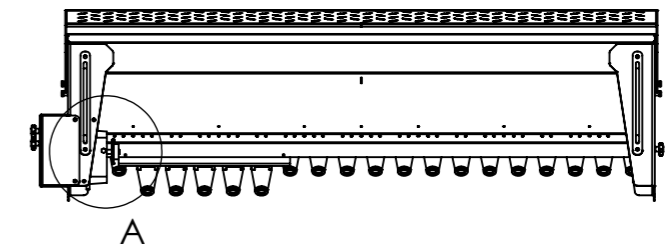
ITEM NO.	PART NUMBER	DESCRIPTION	QTY.
1	113-1115	VARIBOX HD	1
2	113-2102	ROLLER ASSEMBLY DOUBLE GATE HOUSING	20
3	113-3112	SEED CUP SINGLE OUTLET CUP DOUBLE GATE HOUSING	20
4	115-3001	ROLLER ASSEMBLY SEED ROLLER	80
5	115-4007	ROLLER ASSEMBLY BEARING HOUSING	14
6	115-4014	ROLLER ASSEMBLY GATE	80
7	115-4020	SPROCKET SIMPLEX 08B 21T 20mmBORE GRUB	2
8	115-4124	SPROCKET SIMPLEX 08B 15T 25mmBORE GRUB	1
9	115-4125	SPROCKET SIMPLEX 08B 14T 25mmBORE GRUBS	1
10	115-7014	M10 HAND WHEEL	4
11	124-4047	VARI-BOX LEVER	2
12	630-2024	AD130 THROUGH TRAY ASSEMBLY	1
13	630-3001	AD130 20x150 SEED/FERT BOX	1
14	630-3013	AD130 20x150 SEED/FERT BOX LID	1
15	630-3014	AD130 20x150 SEED/FERT BOX HANDLE	2
16	630-4006	AD130 20x150 SEED/FERT BOX RESTRICTOR STOP	2
17	630-4007	AD130 20x150 SEED/FERT BOX VERANDAH	2
18	630-4090	AD130 20x150 HEX BAR SEED ROLLERS	2
19	630-4091	VARIBOX TO SEED CHAIN 970	1
20	630-4092	VARIBOX TO FERT CHAIN 950	1
21	630-4093	AD130 20x150 HEX BAR GATES	2
22	630-4099	AD130 CHAIN GUARD SIDE	1
23	630-4100	AD130 CHAIN GUARD REAR	1
24	630-4104	AD130 CHAIN GUARD FRONT	1
25	630-4112	SPROCKET SIMPLEX 08B 27T 20mmBORE GRUB	1
26	630-4142	HOPPER LID HINGE AND STOP	4
27	630-4165	AD130 CALIBRATION TRAY MOUNT	1
28	640-4114	SEED LEVEL WINDOW	2
29	640-4120	TENSIONER 30OD 80mm	2
30	640-4124	TENSIONER 50OD 80mm	2
31	640-4180	SEED LEVEL WINDOW FRAME	4
32	640-4204	BEARING AND HOUSING ID20 PANEL MOUNT	2
33	640-4277	AD#30 WINDOW GASKET	2
34	630-4192	EDGE PROTECTOR	1
35	640-3071	HOPPER GATE LEVER ARM ASSEMBLY FRONT	1
36	640-3072	HOPPER GATE LEVER ARM ASSEMBLY REAR	1

FOR 16X150 BOX SEE 630-2013  
 FOR 12X150 BOX SEE 630-2041

<b>AGROWFLOW</b> COPYRIGHT RESERVED <small>THIS DRAWING IS THE PROPERTY AGROWFLOW PTY LTD, AND IS SUBJECT TO RETURN UPON DEMAND. IT IS SUBMITTED FOR USE ONLY IN CONNECTION WITH PROPOSALS OR CONTRACTS OF THIS ORGANISATION UPON THE EXPRESS CONDITION THAT IT IS NOT TO BE USED DIRECTLY OR INDIRECTLY IN ANY WAY DETRIMENTAL TO THE INTERESTS OF AGROWFLOW PTY LTD.</small>	TITLE: <b>AD130 20x150 SEED/FERT BOX</b>	PART NUMBER <b>630-2009</b>
	5/02/2020	



ITEM NO.	PART NUMBER	DESCRIPTION	QTY.
1	113-1115	VARIBOX HD	1
7	115-4020	SPROCKET SIMPLEX 08B 21T 20mmBORE GRUB	2
8	115-4124	SPROCKET SIMPLEX 08B 15T 25mmBORE GRUB	1
9	115-4125	SPROCKET SIMPLEX 08B 14T 25mmBORE GRUBS	1
10	115-7014	M10 HAND WHEEL	4
11	124-4047	VARI-BOX LEVER	2
18	630-4090	AD130 20x150 HEX BAR SEED ROLLERS	2
19	630-4091	VARIBOX TO SEED CHAIN 970	1
20	630-4092	VARIBOX TO FERT CHAIN 950	1
21	630-4093	AD130 20x150 HEX BAR GATES	2
23	630-4099	AD130 CHAIN GUARD SIDE	1
24	630-4100	AD130 CHAIN GUARD REAR	1
25	630-4104	AD130 CHAIN GUARD FRONT	1
26	630-4112	SPROCKET SIMPLEX 08B 27T 20mmBORE GRUB	1
32	640-4120	TENSIONER 30OD 80mm	2
33	640-4124	TENSIONER 50OD 80mm	2
35	640-4204	BEARING AND HOUSING ID20 PANEL MOUNT	2

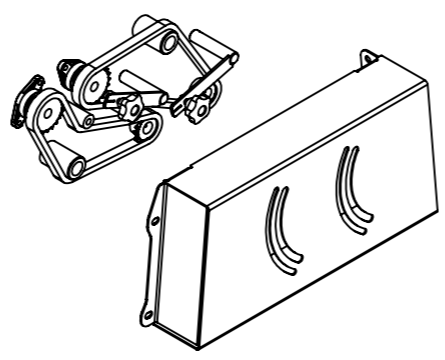
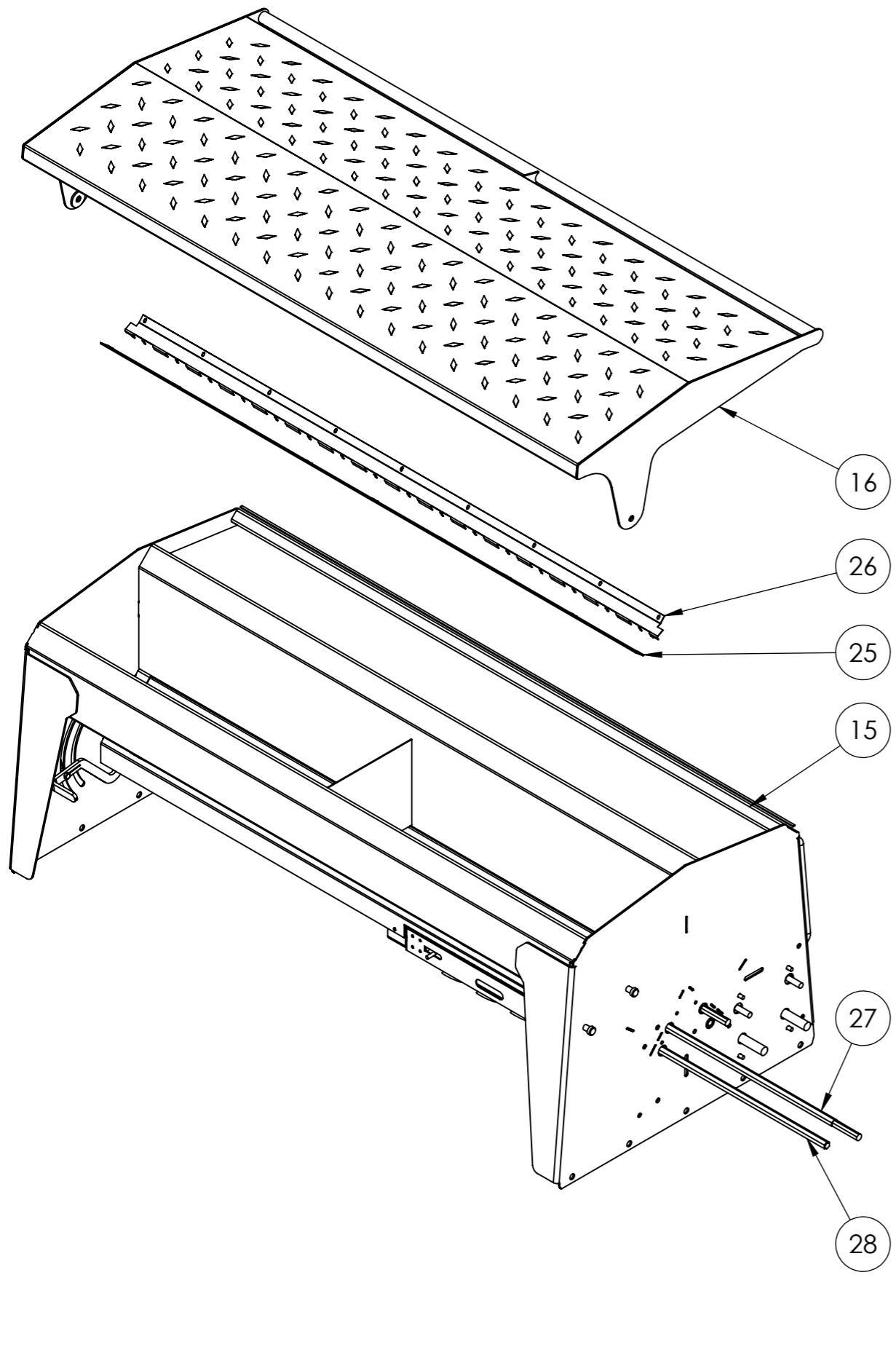


ASSEMBLY DETAIL VIEWS  
 BOX, GUARDS AND OTHER PARTS OMITTED FOR CLARITY

**AGROWFLOW**  
 COPYRIGHT RESERVED  
 THIS DRAWING IS THE PROPERTY AGROWFLOW PTY LTD, AND IS SUBJECT TO RETURN UPON DEMAND. IT IS SUBMITTED FOR USE ONLY IN CONNECTION WITH PROPOSALS OR CONTRACTS OF THIS ORGANISATION UPON THE EXPRESS CONDITION THAT IT IS NOT TO BE USED DIRECTLY OR INDIRECTLY IN ANY WAY DETRIMENTAL TO THE INTERESTES OF AGROWFLOW PTY LTD.

TITLE:  
**AD130 20x150 SEED/FERT BOX**

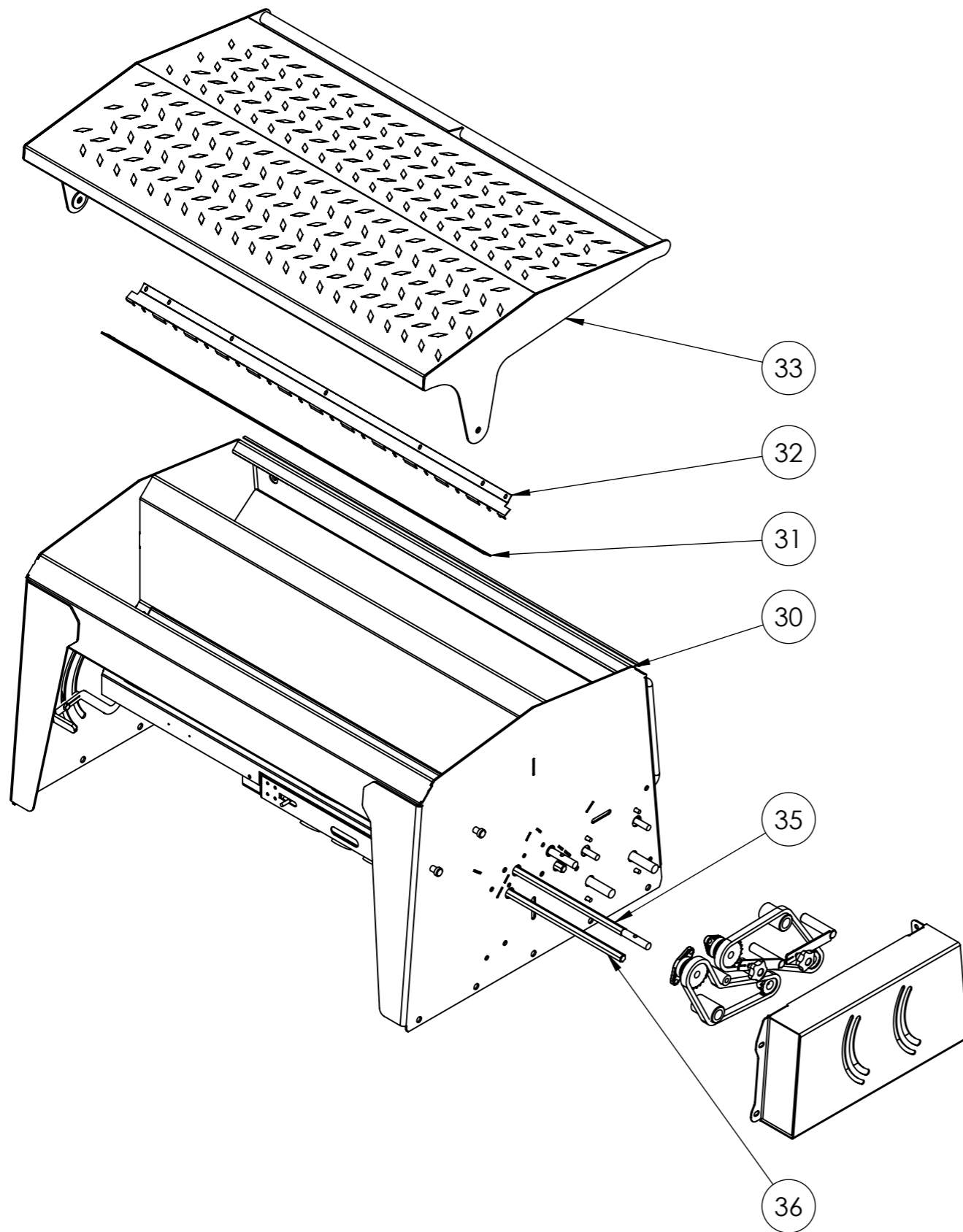
PART NUMBER  
**630-2009**  
 SHEET: PAGE:  
 2 OF 2 13  
 21-Aug-17



ITEM NO.	PART NUMBER	DESCRIPTION	QTY.
1	113-1115	VARIBOX HD	1
2	113-2102	ROLLER ASSEMBLY DOUBLE GATE HOUSING	16
3	113-3112	SEED CUP SINGLE OUTLET CUP DOUBLE GATE HOUSING	16
4	115-3001	ROLLER ASSEMBLY SEED ROLLER	64
5	115-4007	ROLLER ASSEMBLY BEARING HOUSING	14
6	115-4014	ROLLER ASSEMBLY GATE	64
7	115-4020	SPROCKET SIMPLEX 08B 21T 20mmBORE GRUB	2
8	115-4124	SPROCKET SIMPLEX 08B 15T 25mmBORE GRUB	1
9	115-4125	SPROCKET SIMPLEX 08B 14T 25mmBORE GRUBS	1
10	115-7014	M10 HAND WHEEL	4
11	124-4047	VARI-BOX LEVER	2
12	630-4192	EDGE PROTECTOR	1
13	630-2024	AD130 THROUGH TRAY ASSEMBLY	1
14	630-3014	AD130 20x150 SEED/FERT BOX HANDLE	2
15	630-3019	AD130 16x150 SEED/FERT BOX	1
16	630-3020	AD130 16x150 SEED/FERT BOX LID	1
17	630-4091	VARIBOX TO SEED CHAIN	1
18	630-4092	VARIBOX TO FERT CHAIN	1
19	630-4094	HOPPER GATE LEVER ARM ASSEMBLY REAR	1
20	630-4099	AD130 CHAIN GUARD SIDE	1
21	630-4100	AD130 CHAIN GUARD REAR	1
22	630-4104	AD130 CHAIN GUARD FRONT	1
23	630-4112	SPROCKET SIMPLEX 08B 27T 20mmBORE GRUB	1
24	630-4142	HOPPER LID HINGE AND STOP	4
25	630-4152	AD130 16x150 SEED/FERT BOX RESTRICTOR STOP	2
26	630-4153	AD130 16x150 SEED/FERT BOX VERANDAH	2
27	630-4155	AD130 16x150 HEX BAR SEED ROLLERS	2
28	630-4156	AD130 16x150 HEX BAR GATES	2
29	630-4165	AD130 CALIBRATION TRAY MOUNT	1
30	640-4093	HOPPER GATE LEVER ARM ASSEMBLY FRONT	1
31	640-4114	SEED LEVEL WINDOW	2
32	640-4120	TENSIONER 30OD 80mm	2
33	640-4124	TENSIONER 50OD 80mm	2
34	640-4180	SEED LEVEL WINDOW FRAME	4
35	640-4204	BEARING AND HOUSING ID20 PANEL MOUNT	2

NOTE  
 ONLY PARTS DISTINCTIVE TO THE 16x20 ASSEMBLY  
 HAVE BEEN IDENTIFIED  
 FOR FURTHER DETAIL SEE DRAWING FOR 20x150  
 ASSEMBLY PART NUMBER 630-2009

<b>AGROWFLOW</b> COPYRIGHT RESERVED <small>THIS DRAWING IS THE PROPERTY AGROWFLOW PTY LTD, AND IS SUBJECT TO RETURN UPON DEMAND. IT IS SUBMITTED FOR USE ONLY IN CONNECTION WITH PROPOSALS OR CONTRACTS OF THIS ORGANISATION UPON THE EXPRESS CONDITION THAT IT IS NOT TO BE USED DIRECTLY OR INDIRECTLY IN ANY WAY DETRIMENTAL TO THE INTERESTES OF AGROWFLOW PTY LTD.</small>	TITLE: <b>AD130 16x150 SEED/FERT BOX</b>	PART NUMBER <b>630-2013</b>
	01-May-17	



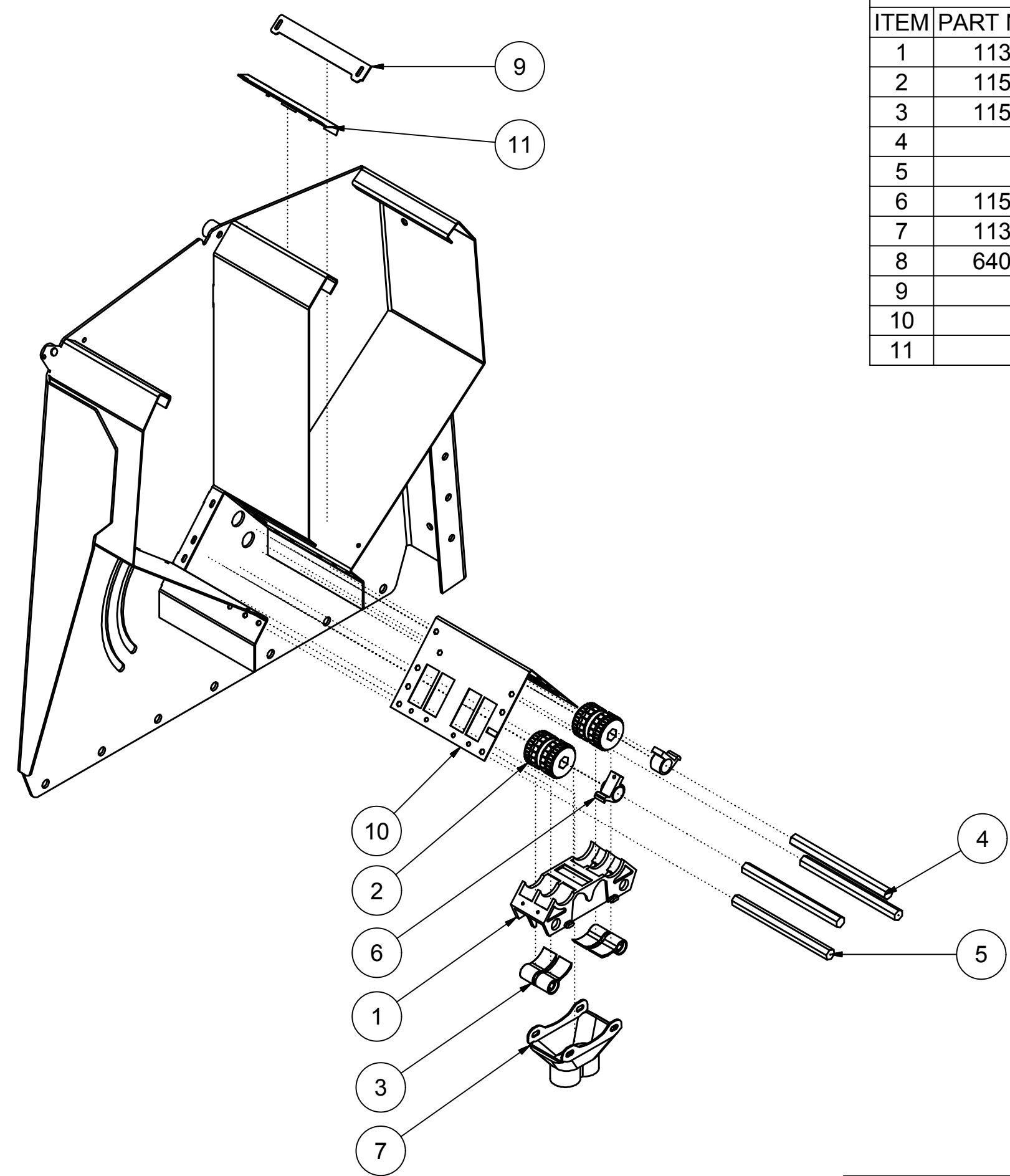
ITEM NO.	PART NUMBER	DESCRIPTION	QTY.
1	113-1115	VARIBOX HD	1
2	113-2102	ROLLER ASSEMBLY DOUBLE GATE HOUSING	12
3	113-3112	SEED CUP SINGLE OUTLET DOUBLE GATE HOUSING	12
4	115-3001	ROLLER ASSEMBLY SEED ROLLER	48
5	115-4007	ROLLER ASSEMBLY BEARING HOUSING	10
6	115-4014	ROLLER ASSEMBLY GATE	48
7	115-4020	SPROCKET SIMPLEX 08B 21T 20mmBORE	2
8	115-4124	SPROCKET SIMPLEX 08B 15T 25mmBORE GRUB	1
9	115-4125	SPROCKET SIMPLEX 08B 14T 25mmBORE GRUBS	1
10	115-7014	M10 HAND WHEEL	4
11	124-4047	VARI-BOX LEVER	2
12	630-2024	AD130 THROUGH TRAY ASSEMBLY	1
13	630-3014	AD130 20x150 SEED/FERT BOX HANDLE	2
14	630-4091	VARIBOX TO SEED CHAIN 970	1
15	630-4092	VARIBOX TO FERT CHAIN 950	1
16	630-4099	AD130 CHAIN GUARD SIDE	1
17	630-4100	AD130 CHAIN GUARD REAR	1
18	630-4104	AD130 CHAIN GUARD FRONT	1
19	630-4112	SPROCKET SIMPLEX 08B 27T 20mmBORE GRUB	1
20	630-4142	HOPPER LID HINGE AND STOP	4
21	630-4165	AD130 CALIBRATION TRAY MOUNT	1
22	640-4114	SEED LEVEL WINDOW	2
23	640-4120	TENSIONER 30OD 80mm	2
24	640-4124	TENSIONER 50OD 80mm	2
25	640-4180	SEED LEVEL WINDOW FRAME	4
26	640-4204	BEARING AND HOUSING ID20 PANEL MOUNT	2
27	640-3071	HOPPER GATE LEVER ARM ASSEMBLY FRONT	1
28	640-3072	HOPPER GATE LEVER ARM ASSEMBLY REAR	1
29	640-4277	AD#30 WINDOW GASKET	2
30	630-3040	AD130 12x150 SEED/FERT BOX	1
31	630-4268	AD130 12x150 SEED/FERT BOX RESTRICTOR STOP	2
32	630-4267	AD130 12x150 SEED/FERT BOX VERANDAH	2
33	630-3041	AD130 12x150 BOX LID	1
34	630-4192	EDGE PROTECTOR	1
35	630-4270	AD130 12x150 HEX BAR SEED ROLLERS	2
36	630-4269	AD130 12x150 HEX BAR GATES	2

NOTE  
 ONLY PARTS DISTINCTIVE TO THE 12x150  
 ASSEMBLY HAVE BEEN IDENTIFIED  
 FOR FURTHER DETAIL SEE DRAWING FOR 20x150  
 ASSEMBLY PART NUMBER 630-2009

**AGROWFLOW**  
 COPYRIGHT RESERVED  
 THIS DRAWING IS THE PROPERTY AGROWFLOW PTY LTD, AND IS SUBJECT TO RETURN  
 UPON DEMAND. IT IS SUBMITTED FOR USE ONLY IN CONNECTION WITH PROPOSALS OR  
 CONTRACTS OF THIS ORGANISATION UPON THE EXPRESS CONDITION THAT IT IS NOT TO  
 BE USED DIRECTLY OR INDIRECTLY IN ANY WAY DETRIMENTAL TO THE INTERESTES OF  
 AGROWFLOW PTY LTD.

TITLE:  
**AD130 12x150  
 SEED/FERT BOX**

PART NUMBER  
**630-2041**  
 SHEET: PAGE:  
 1 OF 1 15  
 5/02/2020



PARTS LIST		
ITEM	PART NUMBER	TITLE
1	113-2102	ROLLER ASSEMBLY DOUBLE GATE HOUSING
2	115-3001	ROLLER ASSEMBLY SEED ROLLER
3	115-4014	ROLLER ASSEMBLY GATE
4	*	AD230 HEX BAR SEED ROLLER
5	*	AD230 HEX BAR GATE LEVER
6	115-4007	ROLLER ASSEMBLY BEARING HOUSING
7	113-3124	SEED CUP DOUBLE OUTLET CUP DOUBLE GATE HOUSING
8	640-4090	VARIBOX LEVER END COVER
9	*	AD230 RESTRICTOR STOP
10	*	AD230 HOPPER
11	*	AD230 VERANDAH

\* PARTS ARE SPECIFIC TO MODEL

**AGROWFLOW**

COPYRIGHT RESERVED  
THIS DRAWING IS THE PROPERTY OF AGROWFLOW PTY LTD AND IS SUBJECT TO RETURN UPON DEMAND. IT IS SUBMITTED FOR USE ONLY IN CONNECTION WITH PROPOSALS OR CONTRACTS OF THIS ORGANISATION UPON THE EXPRESS CONDITION THAT IT IS NOT TO BE USED DIRECTLY OR INDIRECTLY IN ANY WAY DETRIMENTAL TO THE INTERESTS OF AGROWFLOW PTY LTD.

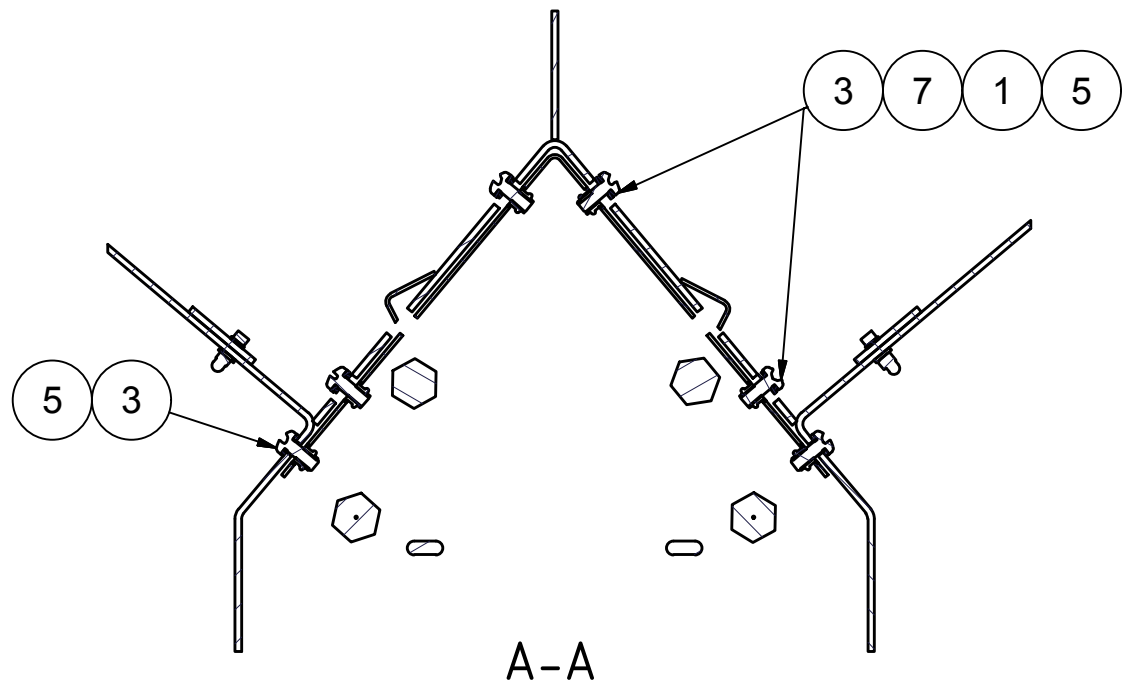
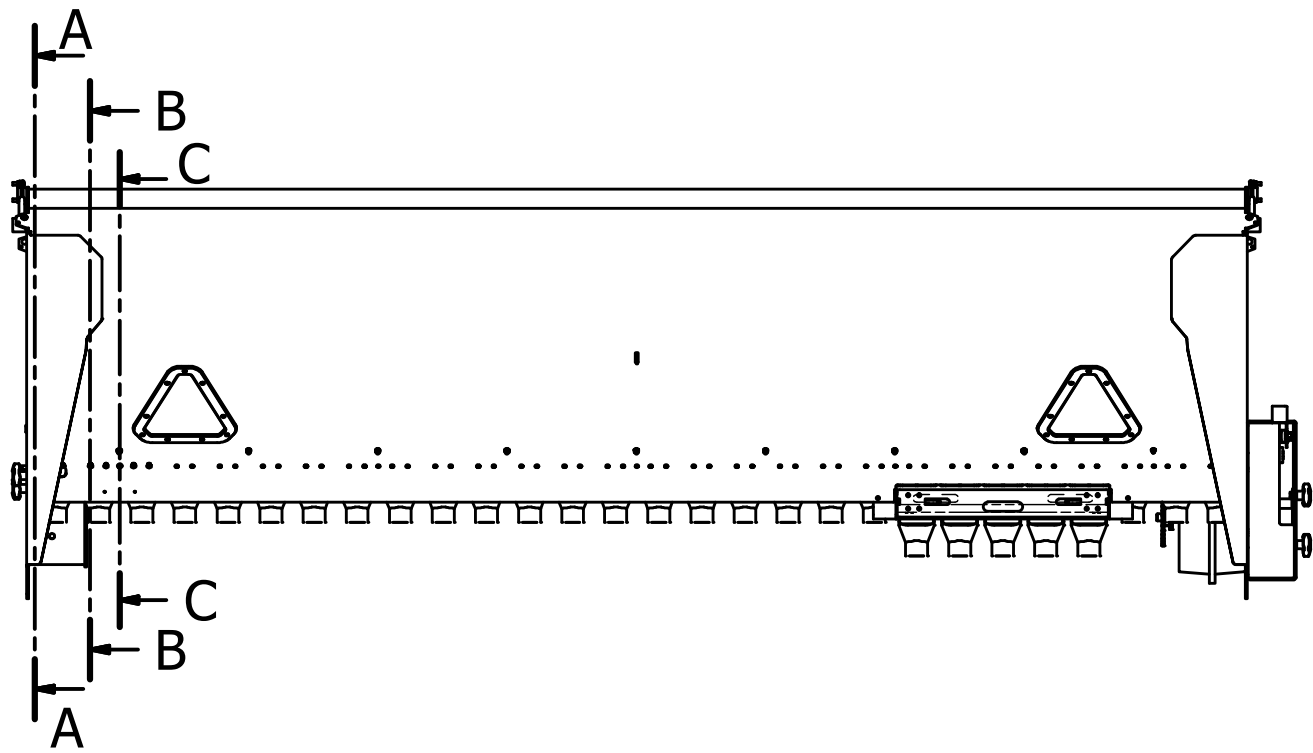
TITLE:  
**AD230 HOPPER and  
ROLLER ASSEMBLIES  
(28x125 & 24x150)**

PART NUMBER:  
**640-2066**

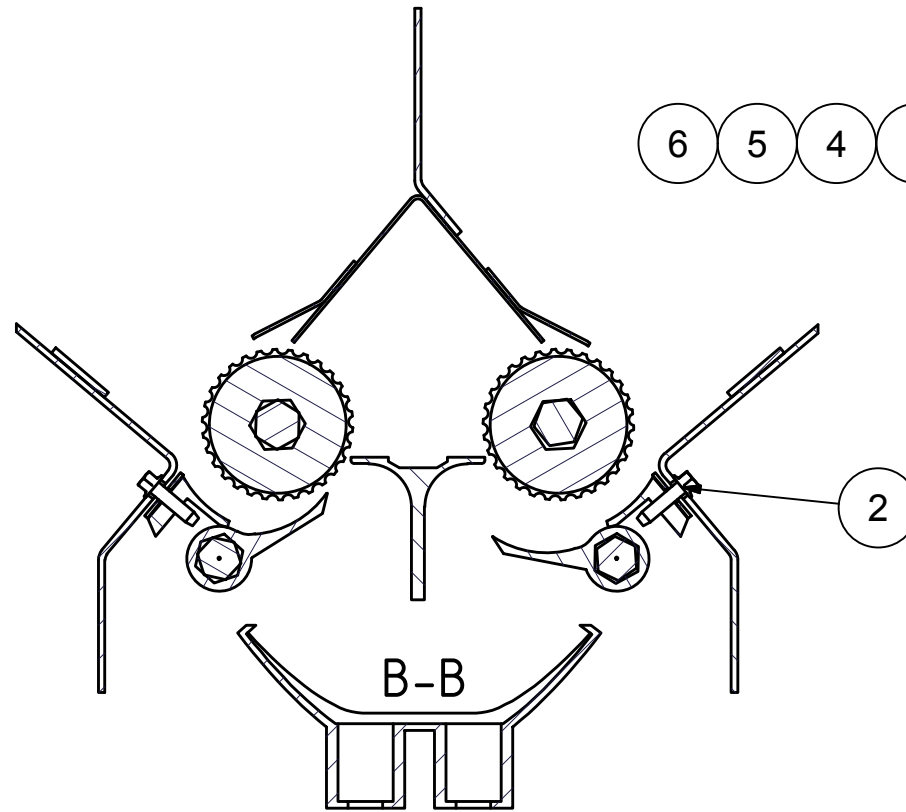
SHEET **1 OF 2** PAGE **16**



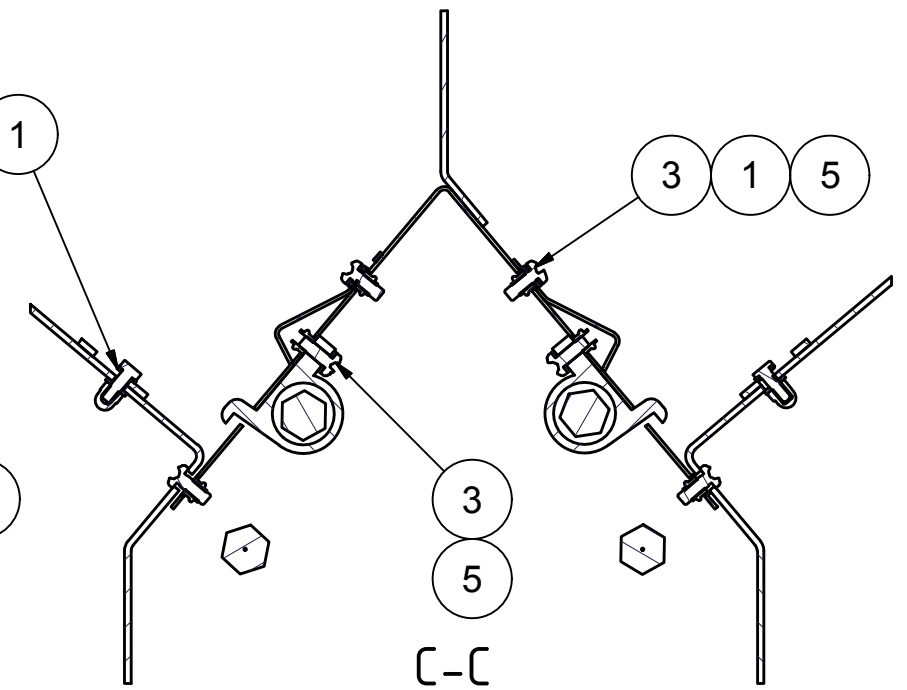
PARTS LIST		
ITEM	PART NUMBER	TITLE
1	135-3010	WASHER FLAT M6 OD16x1.4 STAINLESS STEEL
2	131-1041	SCREW TEK 14-10 X 25MM, TYPE 17, STAINLESS 304
3	133-0003	SCREW PAN POSI M6 x 20 304 STAINLESS MTS
4	133-4011	BOLT M6 x 15/16 G8.8 STAINLESS STEEL
5	135-3032	WASHER SPRING M6 OD11.8x1.6 STAINLESS STEEL
6	134-4004	NUT DOME M6 COURSE STAINLESS STEEL
7	134-4009	NUTSERT HEX 6MM, 9.5mm HEX, LARGE FLANGE



MOUNTING VALLEY TO SEEDBOX



MOUNTING ROLLER ASSMBLY TO SEEDBOX



MOUNTING BEARING HOUSING TO VALLEY  
VERANDAH TO VALLEY  
RESTRICTOR STOP TO BOX

**AGROWFLOW**

COPYRIGHT RESERVED  
THIS DRAWING IS THE PROPERTY OF AGROWFLOW PTY LTD AND IS SUBJECT TO RETURN UPON DEMAND. IT IS SUBMITTED FOR USE ONLY IN CONNECTION WITH PROPOSALS OR CONTRACTS OF THIS ORGANISATION UPON THE EXPRESS CONDITION THAT IT IS NOT TO BE USED DIRECTLY OR INDIRECTLY IN ANY WAY DETRIMENTAL TO THE INTERESTS OF AGROWFLOW PTY LTD.

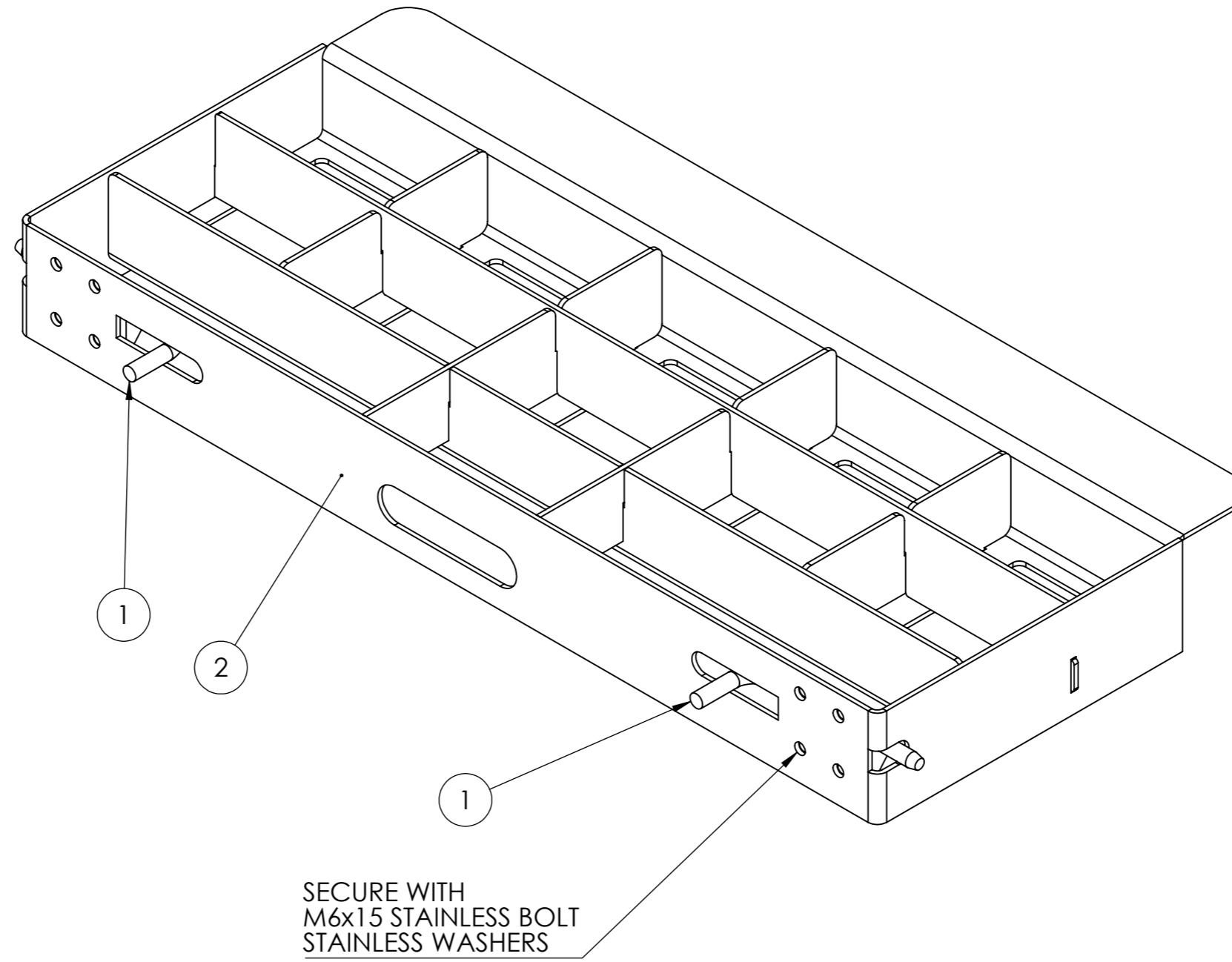
TITLE:  
**SEED ROLLER  
ASSEMBLY AND  
HARDWARE**

PART NUMBER:  
**640-2066**

SHEET  
2 OF 2

PAGE  
17

ITEM NO.	PART NUMBER	DESCRIPTION	QTY.
1	140-4130	SPRING PIN - 10mm	2
2	630-3023	AD130 THROUGH TRAY	1



**AGROWFLOW**  
 COPYRIGHT RESERVED  
 THIS DRAWING IS THE PROPERTY AGROWFLOW PTY LTD, AND IS SUBJECT TO RETURN UPON DEMAND. IT IS SUBMITTED FOR USE ONLY IN CONNECTION WITH PROPOSALS OR CONTRACTS OF THIS ORGANISATION UPON THE EXPRESS CONDITION THAT IT IS NOT TO BE USED DIRECTLY OR INDIRECTLY IN ANY WAY DETRIMENTAL TO THE INTERESTES OF AGROWFLOW PTY LTD.

TITLE: **AD130 THROUGH TRAY ASSEMBLY**

PART NUMBER  
**630-2024**

SHEET: 1 OF 1 PAGE: 18

01-May-17

A

B

C

D

A

B

C

D

1

2

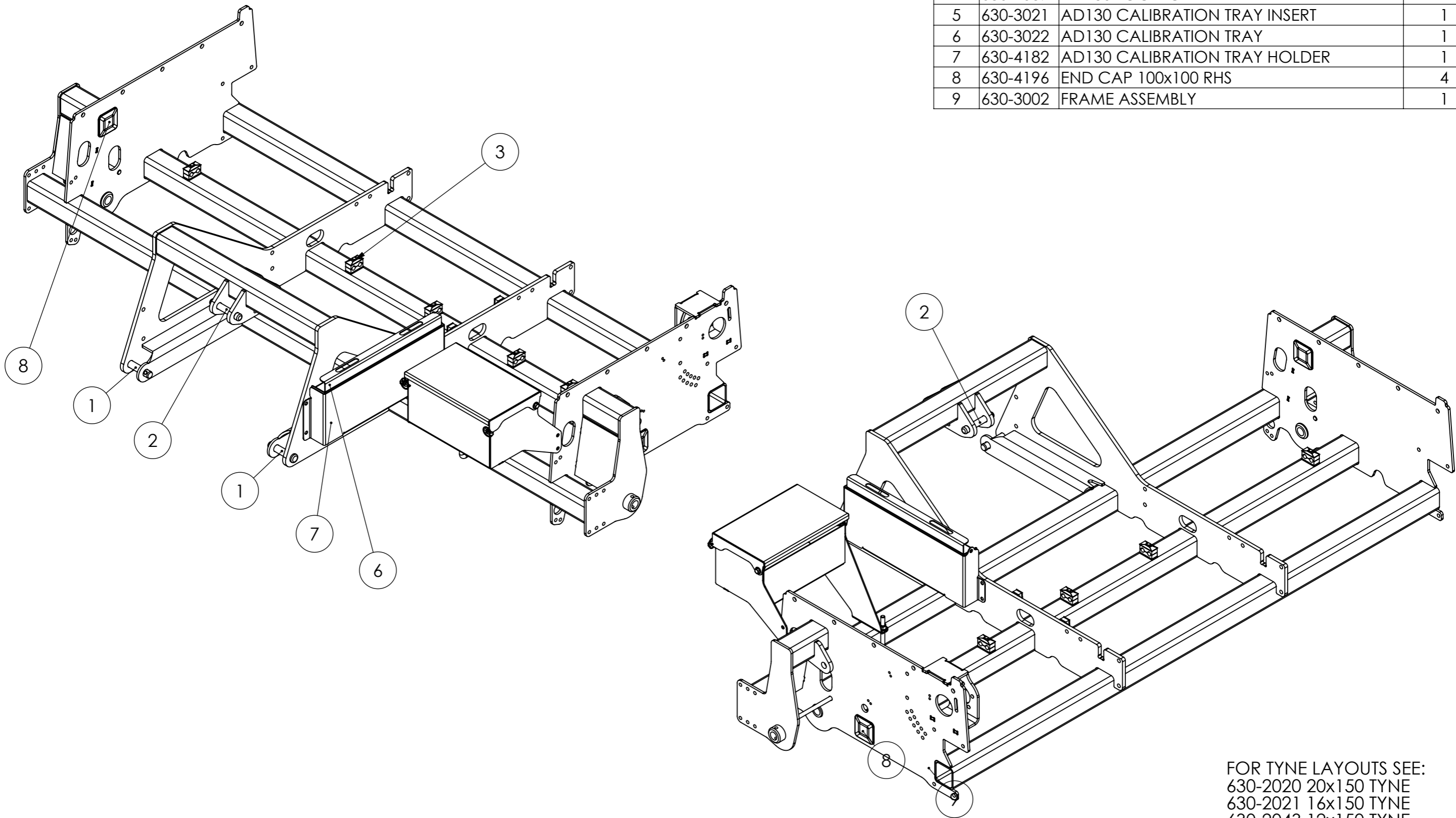
3

4

5

6

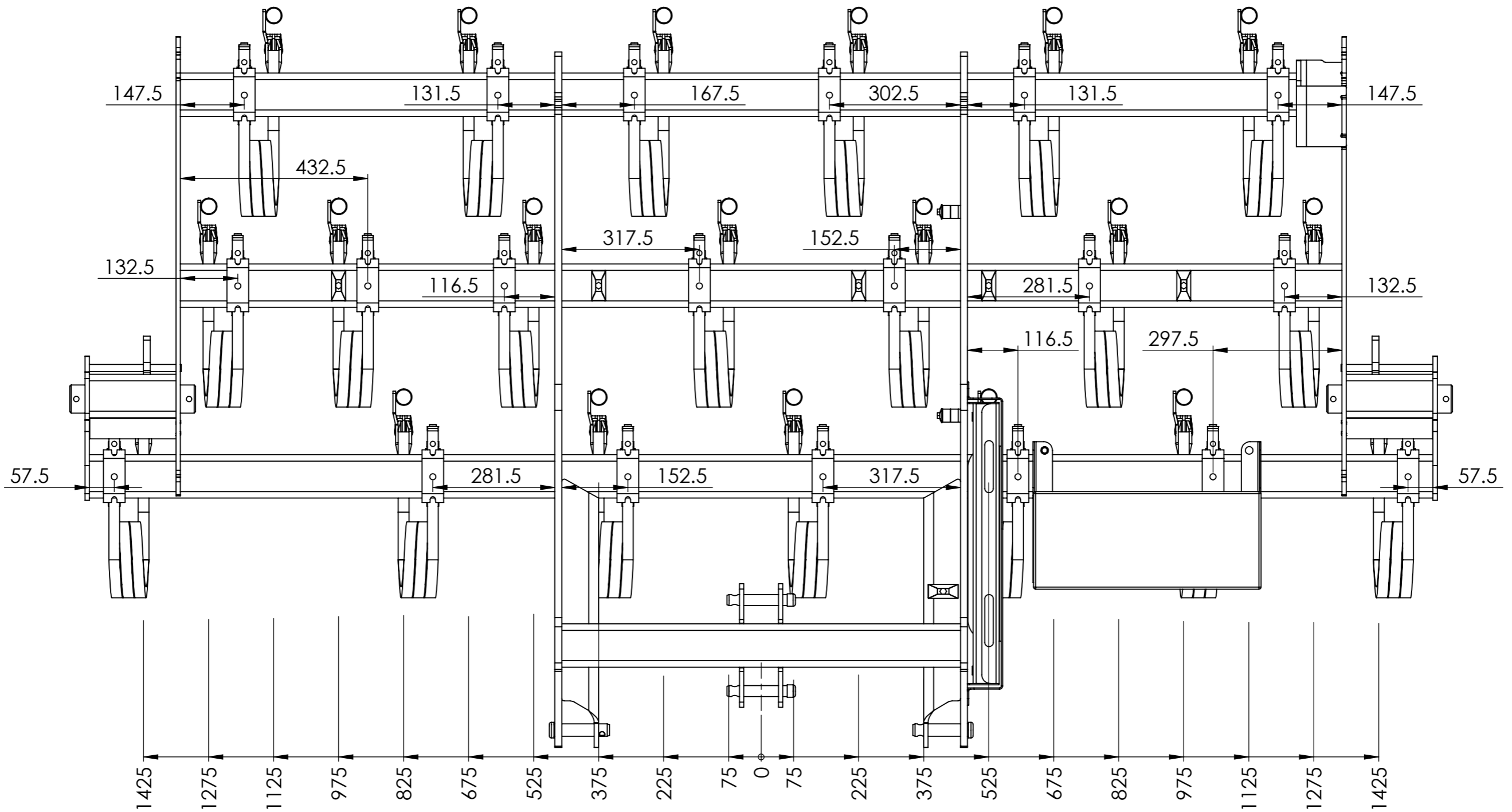
ITEM NO.	PART NUMBER	DESCRIPTION	Default/ QTY.
1	140-0003	PIN CLEVIS 1 1/18" 105mm CAT2 LOWER	2
2	140-0004	PIN CLEVIS 1" 115mm CAT 2 TOP	2
3	154-5011	HYD CLAMP DIA 19	8
4	630-2037	AD130 TOOLBOX	1
5	630-3021	AD130 CALIBRATION TRAY INSERT	1
6	630-3022	AD130 CALIBRATION TRAY	1
7	630-4182	AD130 CALIBRATION TRAY HOLDER	1
8	630-4196	END CAP 100x100 RHS	4
9	630-3002	FRAME ASSEMBLY	1



FOR TYNE LAYOUTS SEE:  
 630-2020 20x150 TYNE  
 630-2021 16x150 TYNE  
 630-2043 12x150 TYNE  
 630-2034 16x150 DISC  
 630-2033 20x150 DISC

<b>AGROWFLOW</b> <small>COPYRIGHT RESERVED</small> <small>THIS DRAWING IS THE PROPERTY AGROWFLOW PTY LTD, AND IS SUBJECT TO RETURN UPON DEMAND. IT IS SUBMITTED FOR USE ONLY IN CONNECTION WITH PROPOSALS OR CONTRACTS OF THIS ORGANISATION UPON THE EXPRESS CONDITION THAT IT IS NOT TO BE USED DIRECTLY OR INDIRECTLY IN ANY WAY DETRIMENTAL TO THE INTERESTES OF AGROWFLOW PTY LTD.</small>	TITLE: <b>AD130 FRAME          GENERAL ASSEMBLY</b>	PART NUMBER <b>630-2010</b>
	5/02/2020	

ITEM NO.	PART NUMBER	DESCRIPTION	20x150 TYNE/QTY.
4	453-3001	COIL TYNE 425	10
5	453-3003	COIL TYNE 425	10
6	600-1007	AD130 MOUNTED TOOL BOX 100x100	1
7	630-3002	FRAME ASSEMBLY	1



NOTES:  
FOR GENERAL ASSEMBLY OF FRAME SEE 630-2010

COIL TYNES DIFFER FROM PART TO PART AND THIS WILL AFFECT ROW SPACING. THE DIMENSIONS SHOWN TO THE CENTRE OF THE TYNE CLAMP ARE FOR REFERENCE ONLY. ADJUSTMENTS MAY BE REQUIRED TO ACHIEVE ACCURATE POINT ALIGNMENT.

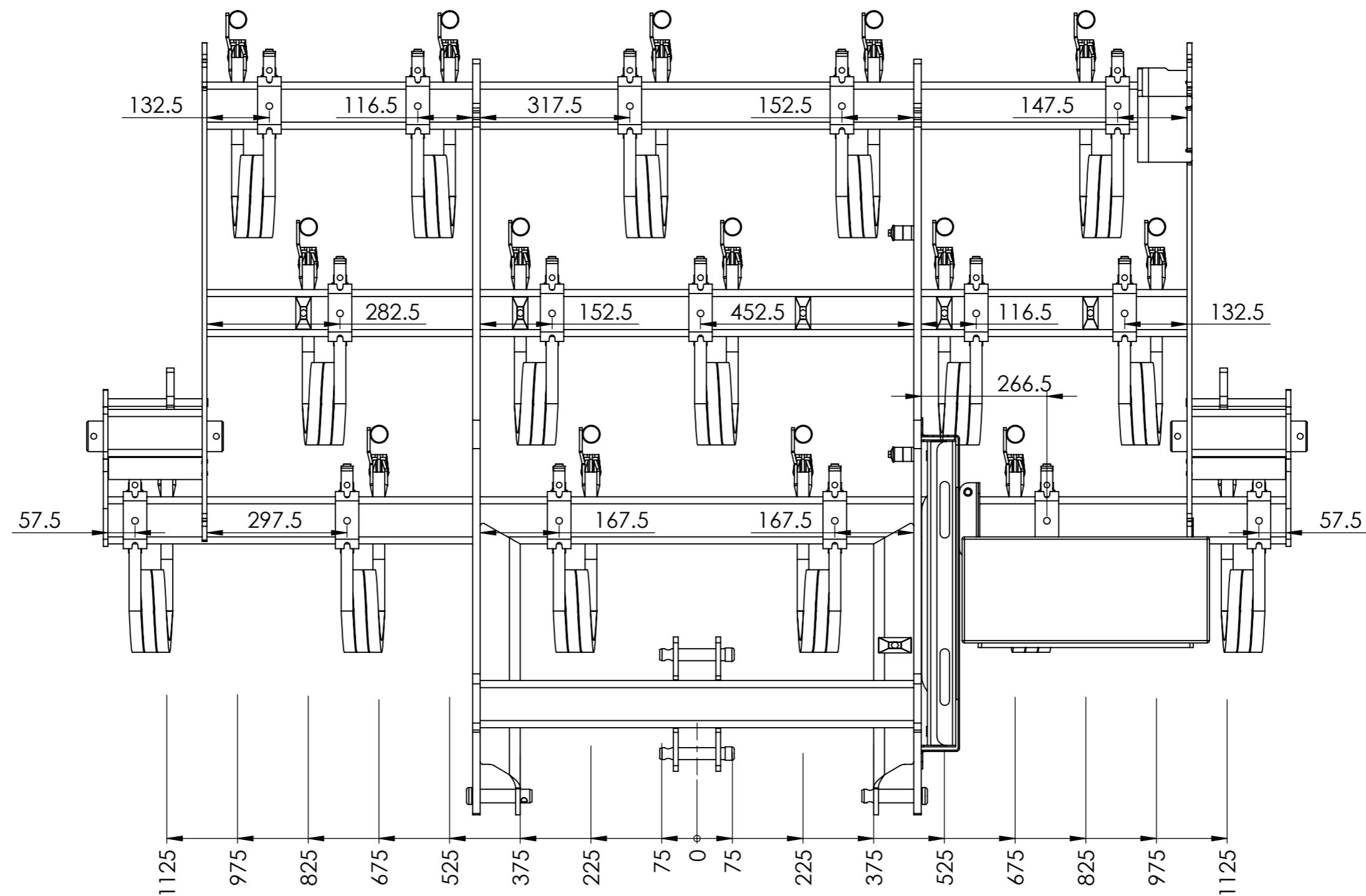
FOR TYNE ASSEMBLY SEE 425 COIL TYNE SPARE PARTS BOOK

**AGROWFLOW**  
 COPYRIGHT RESERVED  
 THIS DRAWING IS THE PROPERTY OF AGROWFLOW PTY LTD, AND IS SUBJECT TO RETURN UPON DEMAND. IT IS SUBMITTED FOR USE ONLY IN CONNECTION WITH PROPOSALS OR CONTRACTS OF THIS ORGANISATION UPON THE EXPRESS CONDITION THAT IT IS NOT TO BE USED DIRECTLY OR INDIRECTLY IN ANY WAY DETRIMENTAL TO THE INTERESTS OF AGROWFLOW PTY LTD.

TITLE:  
**AD130 FRAME ASSEMBLY 20x150 TYNE**  
 01-May-17

PART NUMBER  
**630-2020**  
 SHEET: PAGE:  
 1 OF 1 20

ITEM NO.	PART NUMBER	DESCRIPTION	16x150 TYNE/QTY.
4	453-3001	COIL TYNE 425	8
5	453-3003	COIL TYNE 425	8
6	600-1007	AD130 MOUNTED TOOL BOX 100x100	1
7	630-3002	AD130 FRAME 16x150 AND 20x150	1



NOTES:  
FOR GENERAL ASSEMBLY OF FRAME SEE 630-2010

COIL TYNES DIFFER FROM PART TO PART AND THIS WILL AFFECT ROW SPACING. THE DIMENSIONS SHOWN TO THE CENTRE OF THE TYNE CLAMP ARE FOR REFERENCE ONLY. ADJUSTMENTS MAY BE REQUIRED TO ACHIEVE ACCURATE POINT ALIGNMENT.

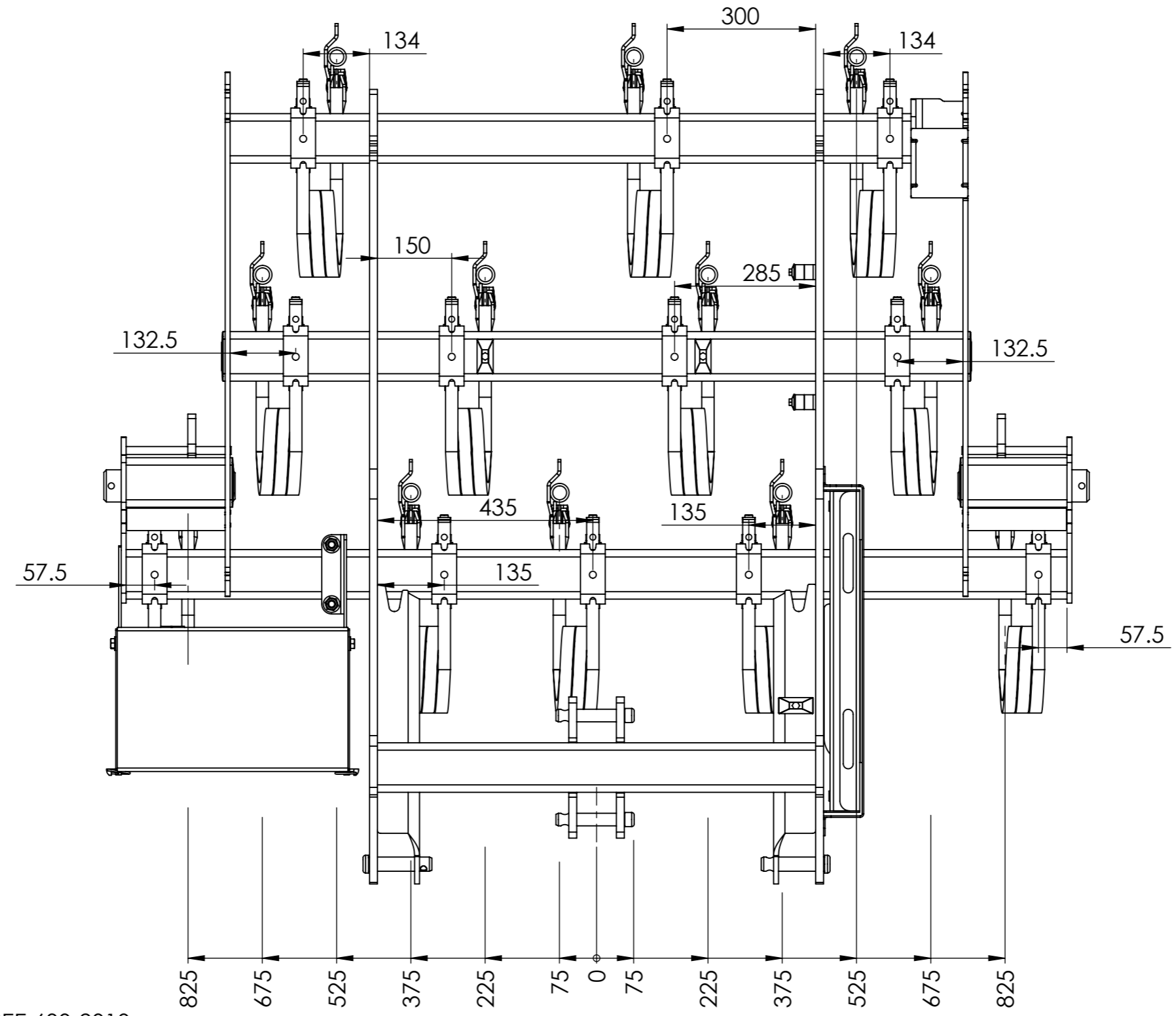
FOR TYNE ASSEMBLY SEE 425 COIL TYNE SPARE PARTS BOOK

**AGROWFLOW**  
COPYRIGHT RESERVED  
 THIS DRAWING IS THE PROPERTY AGROWFLOW PTY LTD, AND IS SUBJECT TO RETURN UPON DEMAND. IT IS SUBMITTED FOR USE ONLY IN CONNECTION WITH PROPOSALS OR CONTRACTS OF THIS ORGANISATION UPON THE EXPRESS CONDITION THAT IT IS NOT TO BE USED DIRECTLY OR INDIRECTLY IN ANY WAY DETRIMENTAL TO THE INTERESTS OF AGROWFLOW PTY LTD.

TITLE:  
**AD130 FRAME  
 ASSEMBLY 16x150  
 TYNE**  
 01-May-17

PART NUMBER  
**630-2021**  
 SHEET: PAGE:  
 1 OF 1 21

ITEM NO.	PART NUMBER	DESCRIPTION	12 x 150 TYNE/QTY.
1	453-3001	TYNE ASSEMBLY 425 SINGLE RH HORIZONTAL	6
2	453-3003	TYNE ASSEMBLY 425 SINGLE LH HORIZONTAL	5
3	630-2042	AD130 12x150 TOOLBOX	1
4	630-3002	AD130 12 x 150 FRAME	1
5	630-4196	END CAP 100x100 RHS	4



NOTES:  
FOR GENERAL ASSEMBLY OF FRAME SEE 630-2010

COIL TYNES DIFFER FROM PART TO PART AND THIS WILL AFFECT ROW SPACING. THE DIMENSIONS SHOWN TO THE CENTRE OF THE TYNE CLAMP ARE FOR REFERENCE ONLY. ADJUSTMENTS MAY BE REQUIRED TO ACHIEVE ACCURATE POINT ALIGNMENT.

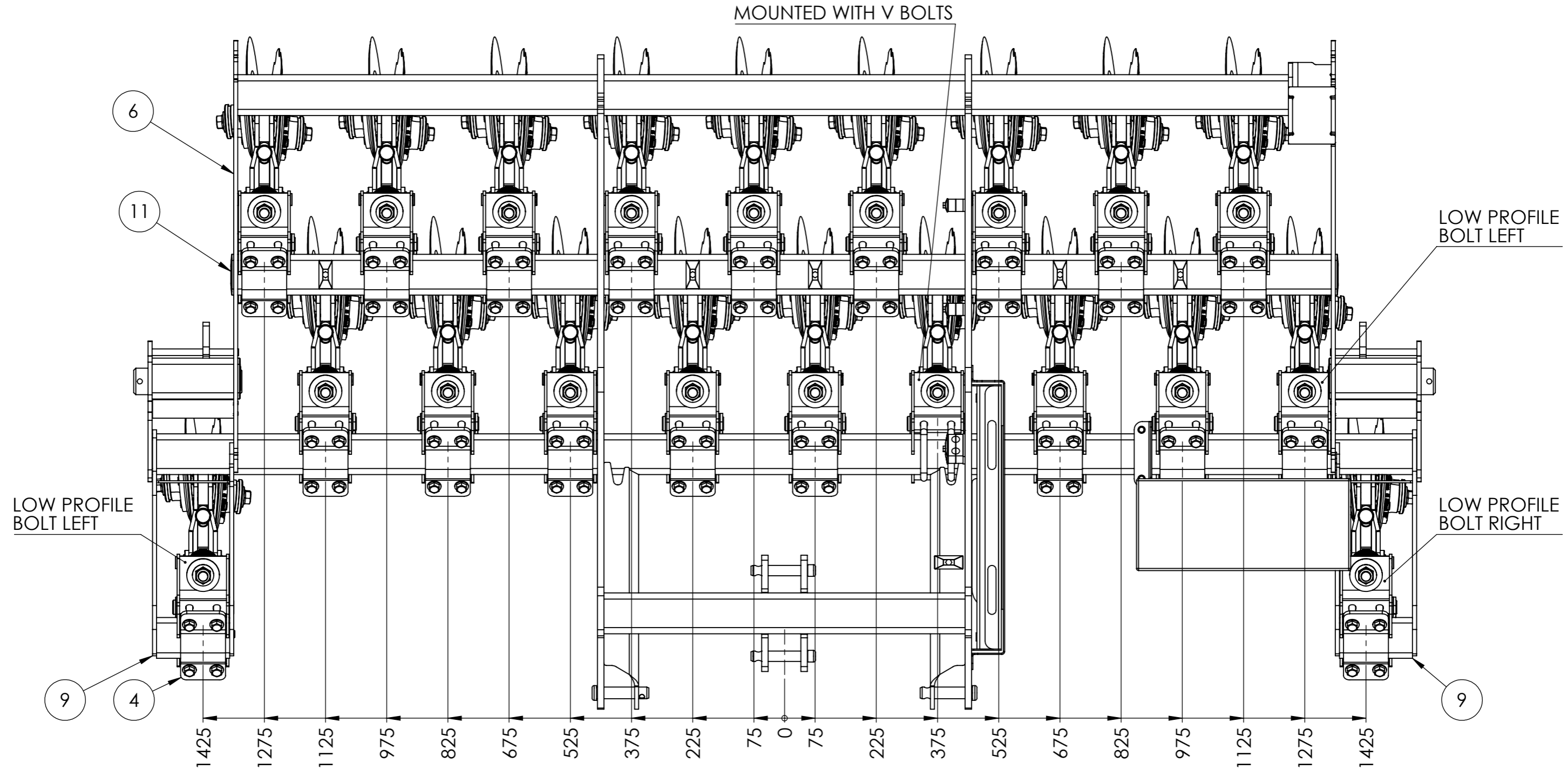
FOR TYNE ASSEMBLY SEE 425 COIL TYNE SPARE PARTS BOOK

**AGROWFLOW**  
 COPYRIGHT RESERVED  
 THIS DRAWING IS THE PROPERTY AGROWFLOW PTY LTD, AND IS SUBJECT TO RETURN UPON DEMAND. IT IS SUBMITTED FOR USE ONLY IN CONNECTION WITH PROPOSALS OR CONTRACTS OF THIS ORGANISATION UPON THE EXPRESS CONDITION THAT IT IS NOT TO BE USED DIRECTLY OR INDIRECTLY IN ANY WAY DETRIMENTAL TO THE INTERESTS OF AGROWFLOW PTY LTD.

TITLE:  
**AD130 FRAME  
 ASSEMBLY 12x150  
 TYNE**  
 5/02/2020

PART NUMBER  
**630-2043**  
 SHEET: PAGE:  
 1 OF 1 22

ITEM NO.	PART NUMBER	DESCRIPTION	20x150 DISC/QTY.
3	154-5011	HYD CLAMP DIA 19	9
4	408-1001	401 DOUBLE DISC UNIT	20
5	600-1007	AD130 MOUNTED TOOL BOX 100x100	1
6	630-3002	FRAME ASSEMBLY	1
9	630-3027	AD130 DISC MOUNT	2
11	630-4196	END CAP 100x100 RHS	4



NOTES:  
FOR GENERAL ASSEMBLY OF FRAME SEE 630-2010

DISC ASSEMBLIES DIFFER FROM PART TO PART AND THIS WILL AFFECT ROW SPACING. THE DIMENSIONS SHOWN TO THE CENTRE OF THE TYNE CLAMP ARE FOR REFERENCE ONLY. ADJUSTMENTS MAY BE REQUIRED TO ACHIEVE ACCURATE FURROW ALIGNMENT.

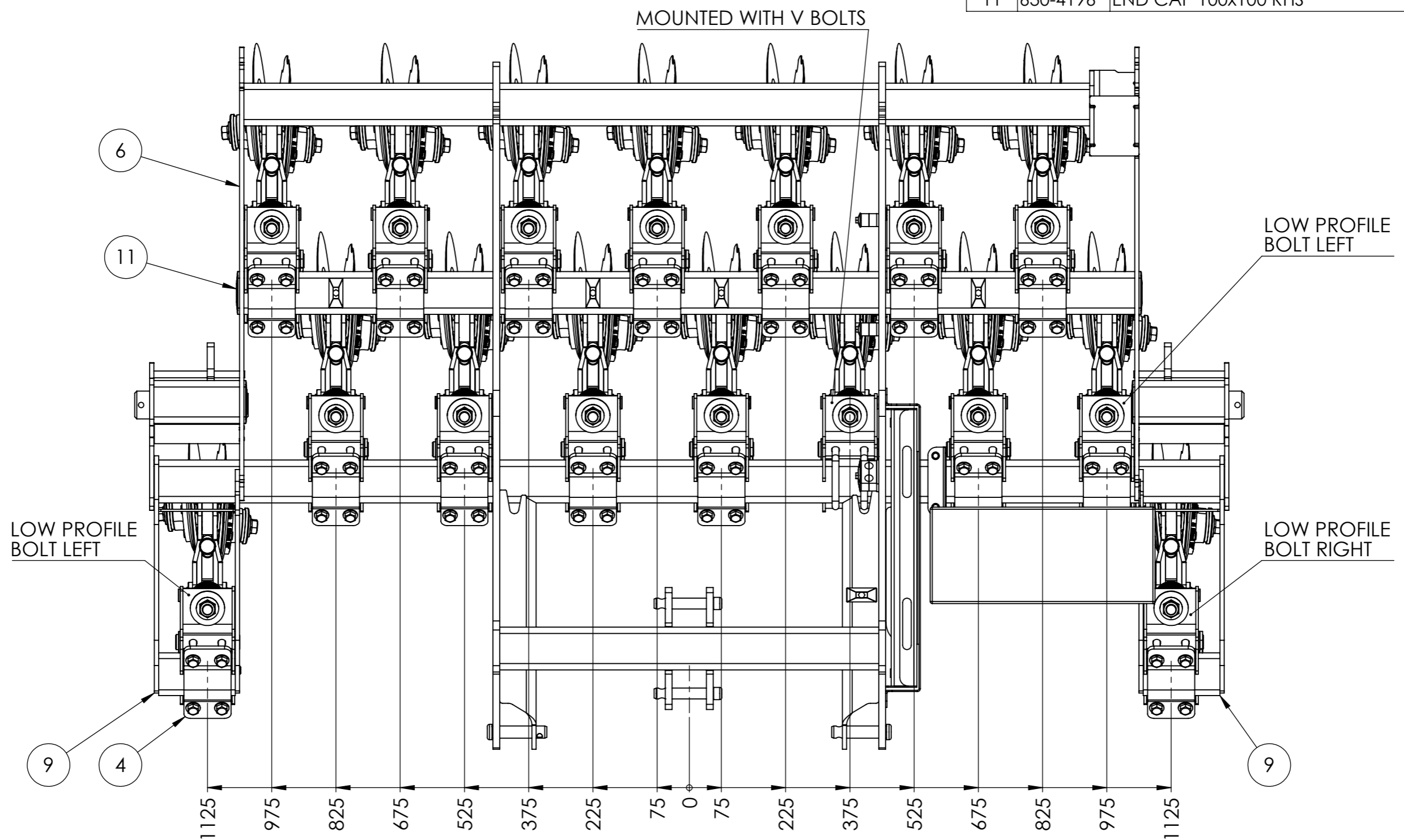
FOR DISC ASSEMBLY SEE 401 DISC ASSEMBLY SPARE PARTS BOOK

**AGROWFLOW**  
 COPYRIGHT RESERVED  
 THIS DRAWING IS THE PROPERTY AGROWFLOW PTY LTD, AND IS SUBJECT TO RETURN UPON DEMAND. IT IS SUBMITTED FOR USE ONLY IN CONNECTION WITH PROPOSALS OR CONTRACTS OF THIS ORGANISATION UPON THE EXPRESS CONDITION THAT IT IS NOT TO BE USED DIRECTLY OR INDIRECTLY IN ANY WAY DETRIMENTAL TO THE INTERESTS OF AGROWFLOW PTY LTD.

TITLE:  
**AD130 FRAME ASSEMBLY 20x150 DISC**  
 21-Sep-18

PART NUMBER  
**630-2033**  
 SHEET: PAGE:  
 1 OF 1 23

ITEM NO.	PART NUMBER	DESCRIPTION	16x150 DISC/QTY.
3	154-5011	HYD CLAMP DIA 19	8
4	408-1001	401 DOUBLE DISC UNIT	16
5	600-1007	AD130 MOUNTED TOOL BOX 100x100	1
6	630-3002	AD130 FRAME 16x150 AND 20x150	1
9	630-3027	AD130 DISC MOUNT	2
11	630-4196	END CAP 100x100 RHS	4



NOTES:  
FOR GENERAL ASSEMBLY OF FRAME SEE 630-2010

DISC ASSEMBLIES DIFFER FROM PART TO PART AND THIS WILL AFFECT ROW SPACING. THE DIMENSIONS SHOWN TO THE CENTRE OF THE TYNE CLAMP ARE FOR REFERENCE ONLY. ADJUSTMENTS MAY BE REQUIRED TO ACHIEVE ACCURATE FURROW ALIGNMENT.

FOR DISC ASSEMBLY SEE 401 DISC ASSEMBLY SPARE PARTS BOOK

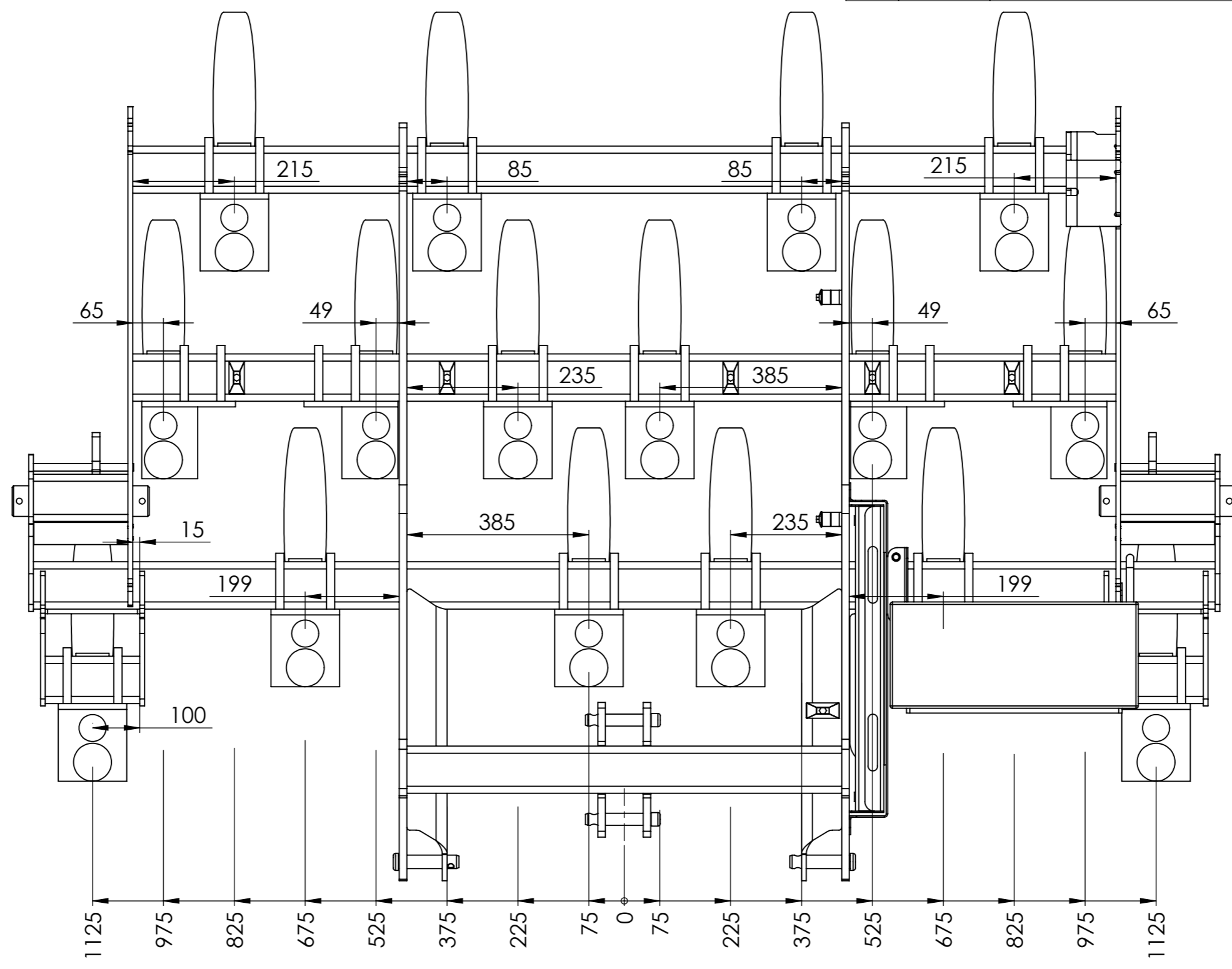
**AGROWFLOW**  
 COPYRIGHT RESERVED  
 THIS DRAWING IS THE PROPERTY AGROWFLOW PTY LTD, AND IS SUBJECT TO RETURN UPON DEMAND. IT IS SUBMITTED FOR USE ONLY IN CONNECTION WITH PROPOSALS OR CONTRACTS OF THIS ORGANISATION UPON THE EXPRESS CONDITION THAT IT IS NOT TO BE USED DIRECTLY OR INDIRECTLY IN ANY WAY DETRIMENTAL TO THE INTERESTS OF AGROWFLOW PTY LTD.

TITLE:  
**AD130 FRAME  
 ASSEMBLY 16x150  
 DISC**  
 21-Sep-18

PART NUMBER  
**630-2034**  
 SHEET: PAGE:  
 1 OF 1 24



ITEM NO.	PART NUMBER	DESCRIPTION	16x150 DISC/QTY.
5	405-1000	PASTURE DISC ASSEMBLY	12
6	405-1001	PASTURE DISC ASSEMBLY RIGHT MOUNT	2
7	405-1002	PASTURE DISC ASSEMBLY LEFT MOUNT	2
8	600-1007	AD130 MOUNTED TOOL BOX 100x100	1
9	630-3002	AD130 FRAME 16x150 AND 20x150	1
12	630-3024	AD130 TOOL BAR OFFSET	2



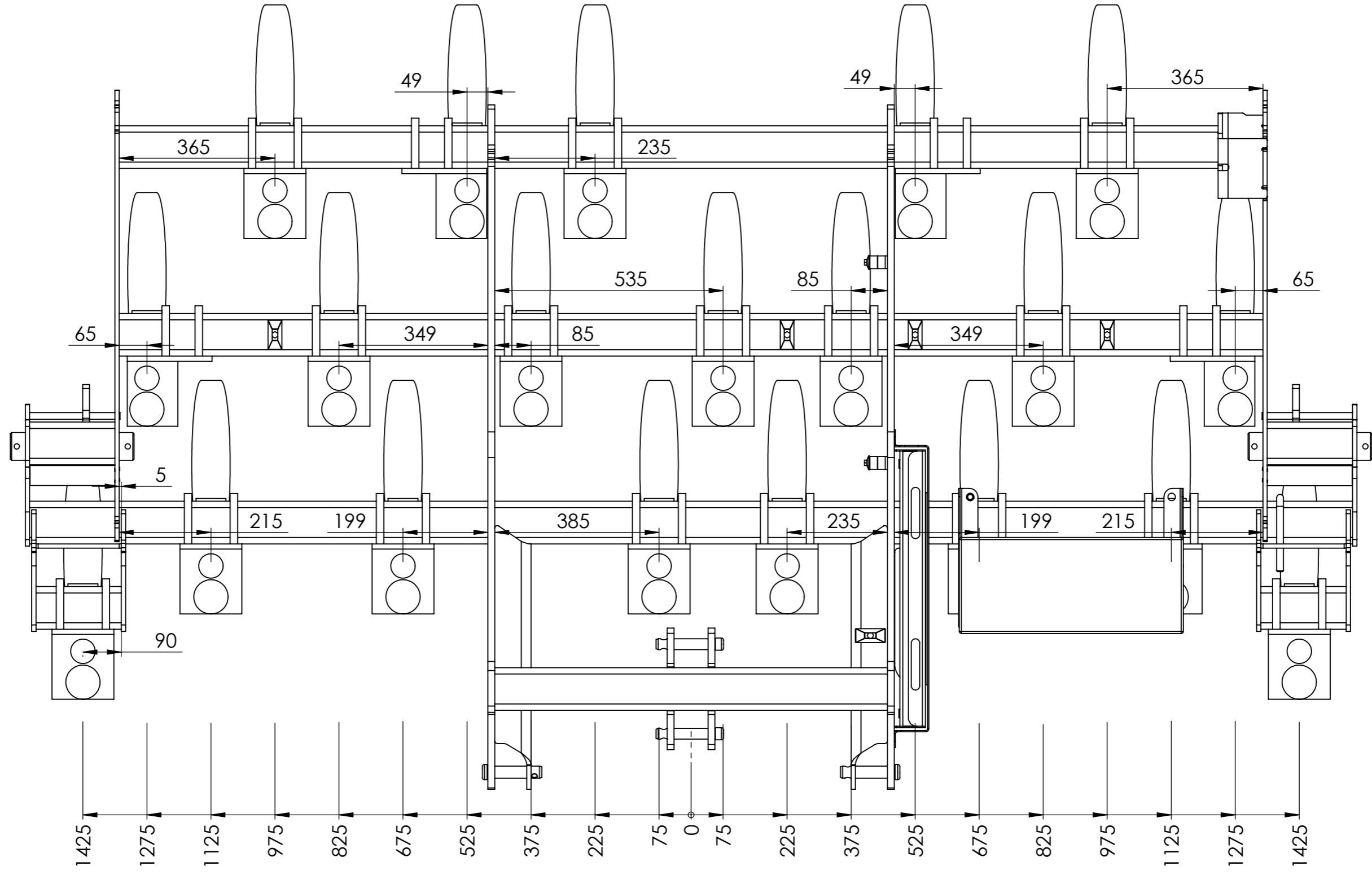
NOTES:  
 FOR GENERAL ASSEMBLY OF FRAME SEE 630-2010  
 FOR PASTURE DISC ASSEMBLY SEE SPARE PARTS BOOK

**AGROWFLOW**  
 COPYRIGHT RESERVED  
 THIS DRAWING IS THE PROPERTY AGROWFLOW PTY LTD, AND IS SUBJECT TO RETURN UPON DEMAND. IT IS SUBMITTED FOR USE ONLY IN CONNECTION WITH PROPOSALS OR CONTRACTS OF THIS ORGANISATION UPON THE EXPRESS CONDITION THAT IT IS NOT TO BE USED DIRECTLY OR INDIRECTLY IN ANY WAY DETRIMENTAL TO THE INTERESTS OF AGROWFLOW PTY LTD.

TITLE:  
**AD130 FRAME ASSEMBLY 16x150 DISC**  
 6/06/2017

PART NUMBER  
**630-2022**  
 SHEET: PAGE:  
 1 OF 1 25

ITEM NO.	PART NUMBER	DESCRIPTION	20x150 DISC/QTY.
7	630-3024	AD130 TOOLBAR OFFSET	2
9	630-3002	FRAME ASSEMBLY	1
10	600-1007	AD130 MOUNTED TOOL BOX 100x100	1
11	405-1002	PASTURE DISC ASSEMBLY LEFT MOUNT	2
12	405-1001	PASTURE DISC ASSEMBLY RIGHT MOUNT	2
13	405-1000	PASTURE DISC ASSEMBLY	16



NOTES:  
 FOR GENERAL ASSEMBLY OF FRAME SEE 630-2010  
 FOR PASTURE DISC ASSEMBLY SEE SPARE PARTS BOOK

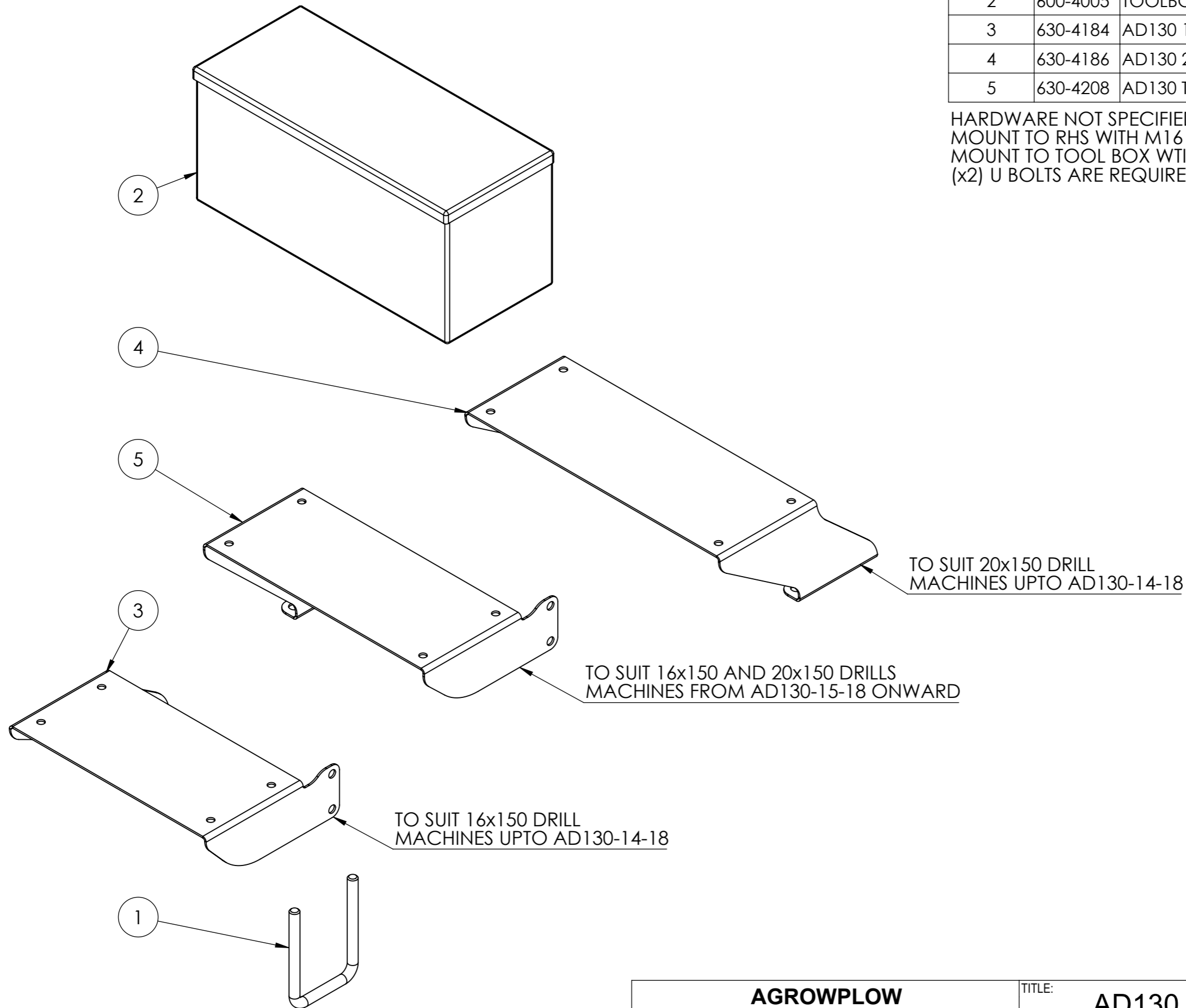
**AGROWFLOW**  
 COPYRIGHT RESERVED  
 THIS DRAWING IS THE PROPERTY AGROWFLOW PTY LTD, AND IS SUBJECT TO RETURN UPON DEMAND. IT IS SUBMITTED FOR USE ONLY IN CONNECTION WITH PROPOSALS OR CONTRACTS OF THIS ORGANISATION UPON THE EXPRESS CONDITION THAT IT IS NOT TO BE USED DIRECTLY OR INDIRECTLY IN ANY WAY DETRIMENTAL TO THE INTERESTS OF AGROWFLOW PTY LTD.

TITLE:  
**AD130 FRAME ASSEMBLY 20x150 DISC**  
 6/06/2017

PART NUMBER  
**630-2023**  
 SHEET: PAGE:  
 1 OF 1 26

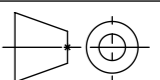
ITEM NO.	PART NUMBER	DESCRIPTION	Default/ QTY.
1	130-4101	U BOLT M16 100x100	1
2	600-4005	TOOLBOX 520x220	1
3	630-4184	AD130 16x150 TOOL BOX MOUNT	1
4	630-4186	AD130 20x150 TOOL BOX MOUNT	1
5	630-4208	AD130 TOOL BOX MOUNT	1

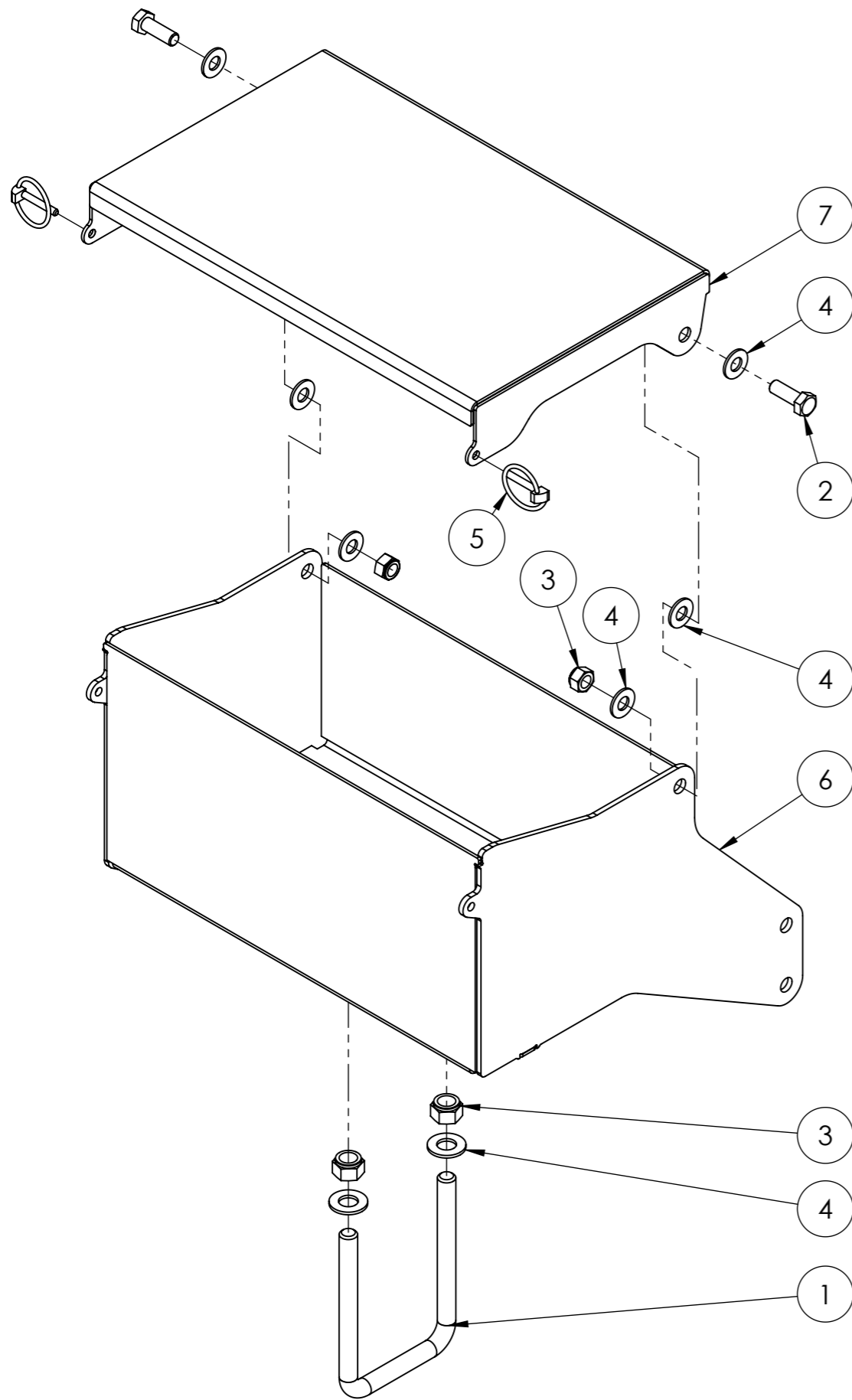
HARDWARE NOT SPECIFIED  
MOUNT TO RHS WITH M16 HARDWARE  
MOUNT TO TOOL BOX WITH M12 HARDWARE  
(x2) U BOLTS ARE REQUIRED FOR THE 20x150 TOOLBOX MOUNT



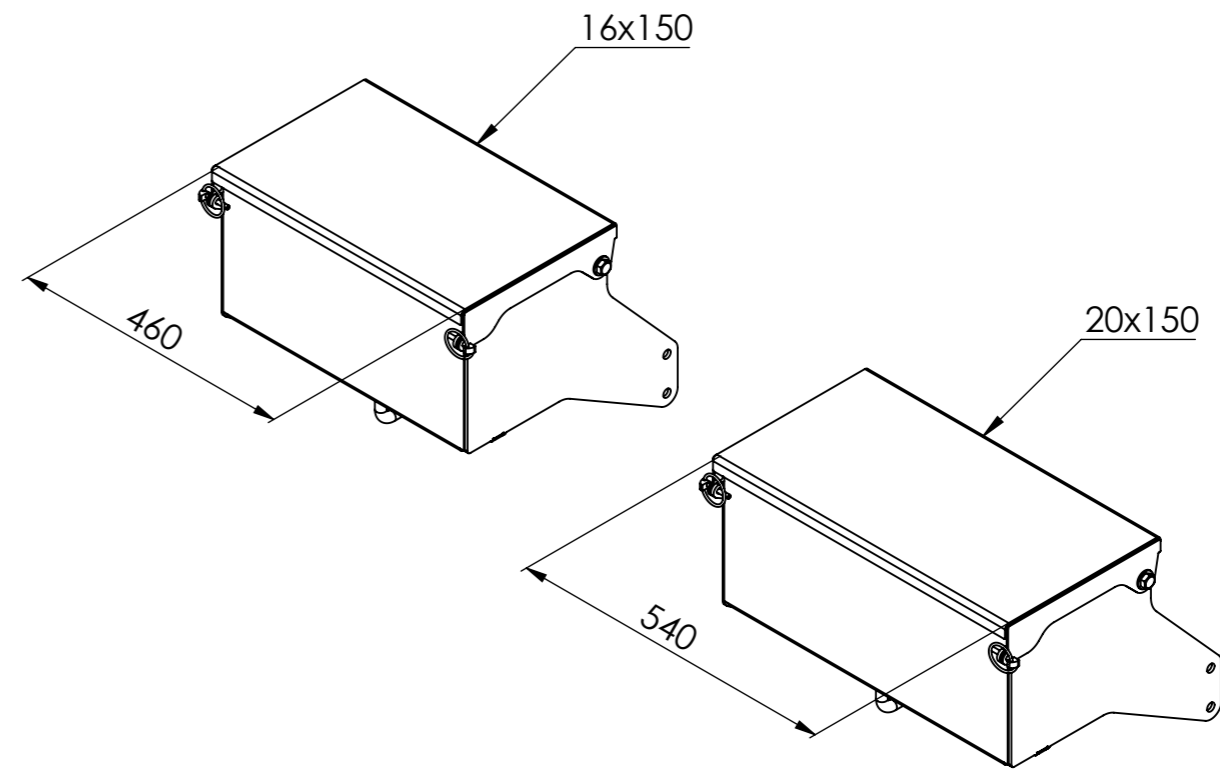
**AGROWFLOW**  
COPYRIGHT RESERVED  
THIS DRAWING IS THE PROPERTY AGROWFLOW PTY LTD, AND IS SUBJECT TO RETURN UPON DEMAND. IT IS SUBMITTED FOR USE ONLY IN CONNECTION WITH PROPOSALS OR CONTRACTS OF THIS ORGANISATION UPON THE EXPRESS CONDITION THAT IT IS NOT TO BE USED DIRECTLY OR INDIRECTLY IN ANY WAY DETRIMENTAL TO THE INTERESTES OF AGROWFLOW PTY LTD.

TITLE:  
**AD130 Toolbox Assembly**  
**SUPERSEDED** 5/02/2020

PART NUMBER  
**600-1007**  
  
SHEET: 1 OF 1    PAGE: 27

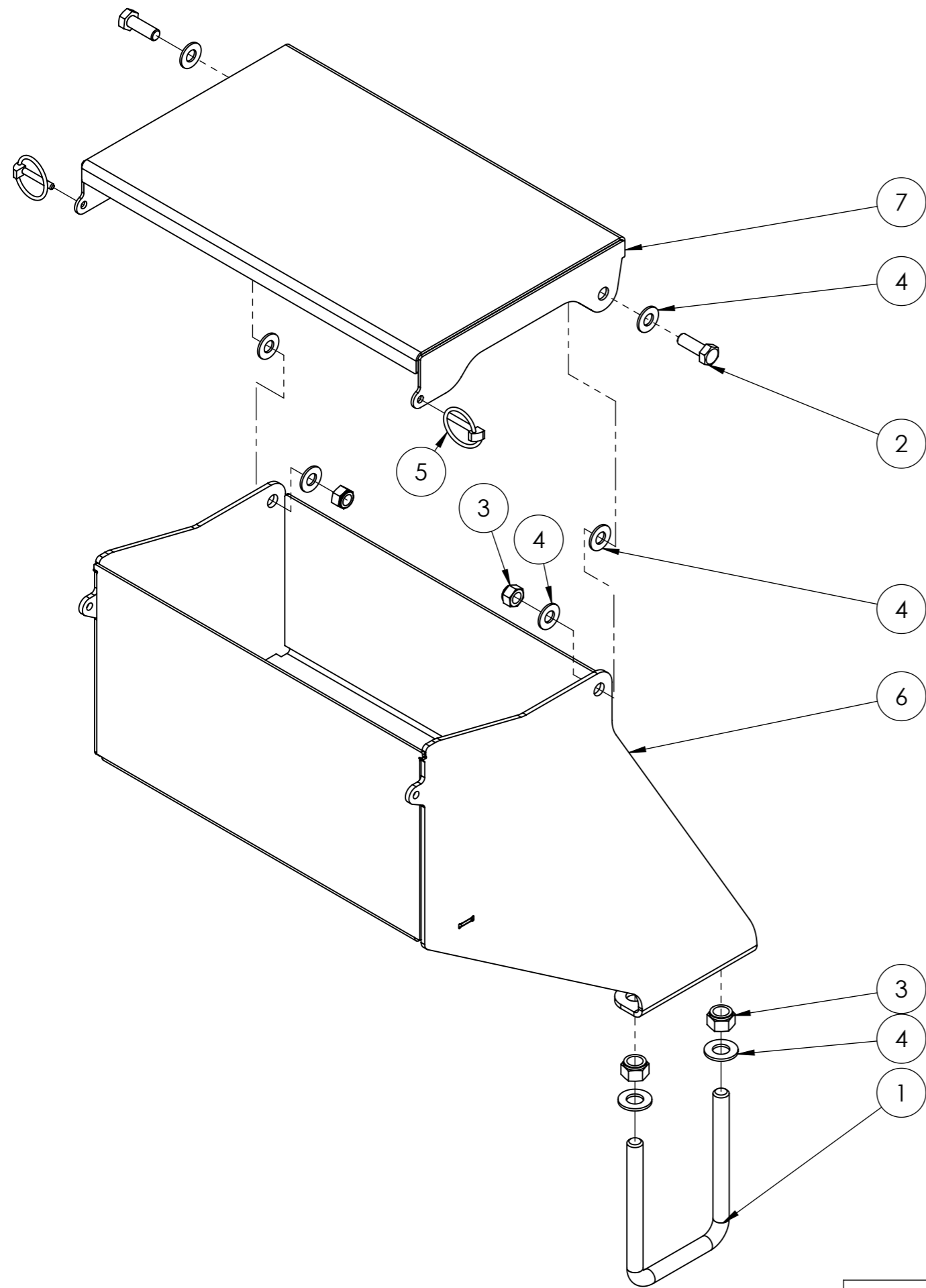


ITEM NO.	PART NUMBER	DESCRIPTION	16x150/QT Y.	20x150/QT Y.
1	130-4101	U BOLT M16 100x100	1	1
2	133-1050	M12 x 35 HEX BOLT ZINC GR8.8	2	2
3	134-4016	M12 HEX NYLOCK NUT ZINC PLATED GR 8.8	4	4
4	135-3012	WASHER FLAT M12	8	8
5	140-0037	LYNCH PIN 6MM 32MM	2	2
6	630-3033	AD130 16x150 & 20x150 TOOLBOX WELDED ASSEMBLY	1	1
7	630-3034	AD130 TOOLBOX LID	1	1

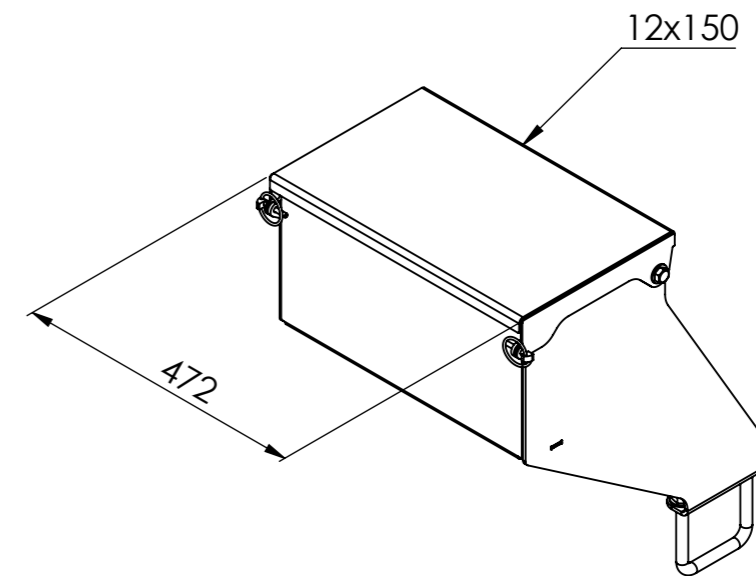


AD130 TOOLBOX COMES IN TWO WIDTHS WHICH SUIT THE 20 AND 16 ROW MACHINES  
 FOR 12 ROW MACHINE SEE 630-2042  
 SPECIFY MACHINE WIDTH IF ORDERING PARTS

<b>AGROWFLOW</b>		TITLE: <b>AD130 TOOLBOX 20x150 &amp; 16x150</b>		PART NUMBER <b>630-2037</b>	
COPYRIGHT RESERVED THIS DRAWING IS THE PROPERTY AGROWFLOW PTY LTD, AND IS SUBJECT TO RETURN UPON DEMAND. IT IS SUBMITTED FOR USE ONLY IN CONNECTION WITH PROPOSALS OR CONTRACTS OF THIS ORGANISATION UPON THE EXPRESS CONDITION THAT IT IS NOT TO BE USED DIRECTLY OR INDIRECTLY IN ANY WAY DETRIMENTAL TO THE INTERESTES OF AGROWFLOW PTY LTD.		LAST PRINTED 5/02/2020		TOTAL MASS 20.24 Kg	
				SHEET: 1 OF 1      PAGE: 28	



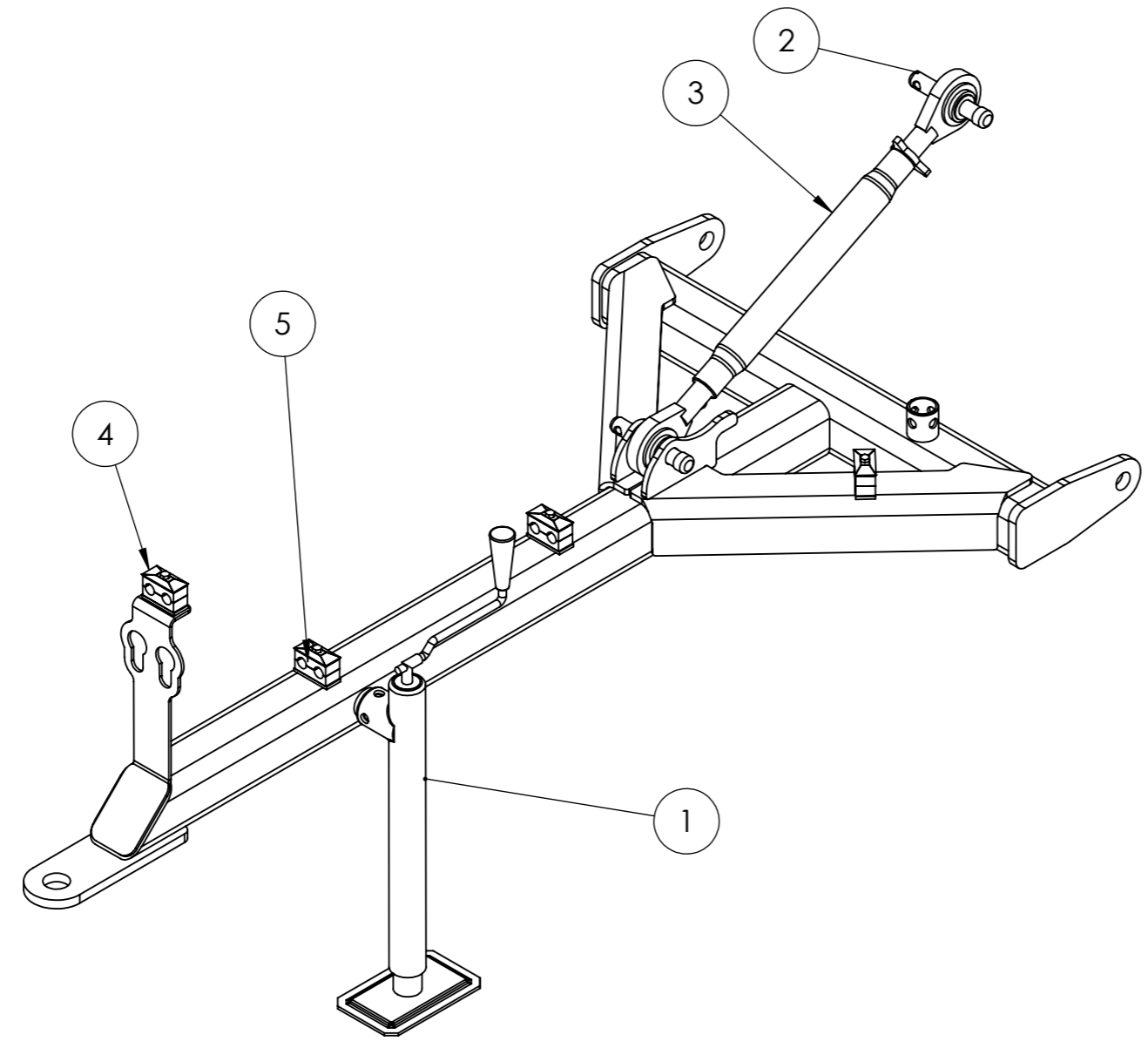
ITEM NO.	PART NUMBER	DESCRIPTION	16x150/QT Y.
1	130-4101	U BOLT M16 100x100	1
2	133-1050	M12 x 35 HEX BOLT ZINC GR8.8	2
3	134-4016	M12 HEX NYLOCK NUT ZINC PLATED GR 8.8	4
4	135-3012	WASHER FLAT M12	8
5	140-0037	LYNCH PIN 6MM 32MM	2
6	630-3042	AD130 12x150 TOOLBOX WELDED BODY	1
7	630-3034	AD130 TOOLBOX LID	1



TOOLBOXES COME IN 3 DIFFERENT TYPES  
SPECIFY MACHINE WIDTH IF ORDERING PARTS

<p><b>AGROWFLOW</b></p> <p><small>COPYRIGHT RESERVED</small></p> <p><small>THIS DRAWING IS THE PROPERTY AGROWFLOW PTY LTD, AND IS SUBJECT TO RETURN UPON DEMAND. IT IS SUBMITTED FOR USE ONLY IN CONNECTION WITH PROPOSALS OR CONTRACTS OF THIS ORGANISATION UPON THE EXPRESS CONDITION THAT IT IS NOT TO BE USED DIRECTLY OR INDIRECTLY IN ANY WAY DETRIMENTAL TO THE INTERESTES OF AGROWFLOW PTY LTD.</small></p>	<p>TITLE:</p> <p><b>AD130 12x150 TOOLBOX</b></p> <p><small>LAST PRINTED 5/02/2020</small></p>	<p>PART NUMBER</p> <p><b>630-2042</b></p>
	<p><small>TOTAL MASS 21.49 Kg</small></p>	<p>SHEET: 1 OF 1</p> <p>PAGE: 29</p>

ITEM NO.	PART NUMBER	DESCRIPTION	QTY.
1	112-0001	JACKSTAND 1.5t ROUND	1
2	140-0004	PIN CLEVIS 1" 115mm CAT 2 TOP	2
3	142-4021	TOP LINK JUMBO, CAT2	1
4	154-5011	HYD CLAMP DIA 19	4
5	630-3003	AD130 TRAILING HITCH	1



**AGROWFLOW**  
 COPYRIGHT RESERVED  
 THIS DRAWING IS THE PROPERTY AGROWFLOW PTY LTD, AND IS SUBJECT TO RETURN UPON DEMAND. IT IS SUBMITTED FOR USE ONLY IN CONNECTION WITH PROPOSALS OR CONTRACTS OF THIS ORGANISATION UPON THE EXPRESS CONDITION THAT IT IS NOT TO BE USED DIRECTLY OR INDIRECTLY IN ANY WAY DETRIMENTAL TO THE INTERESTES OF AGROWFLOW PTY LTD.

TITLE: **AD130 TRAILING HITCH ASSEMBLY**  
 01-May-17

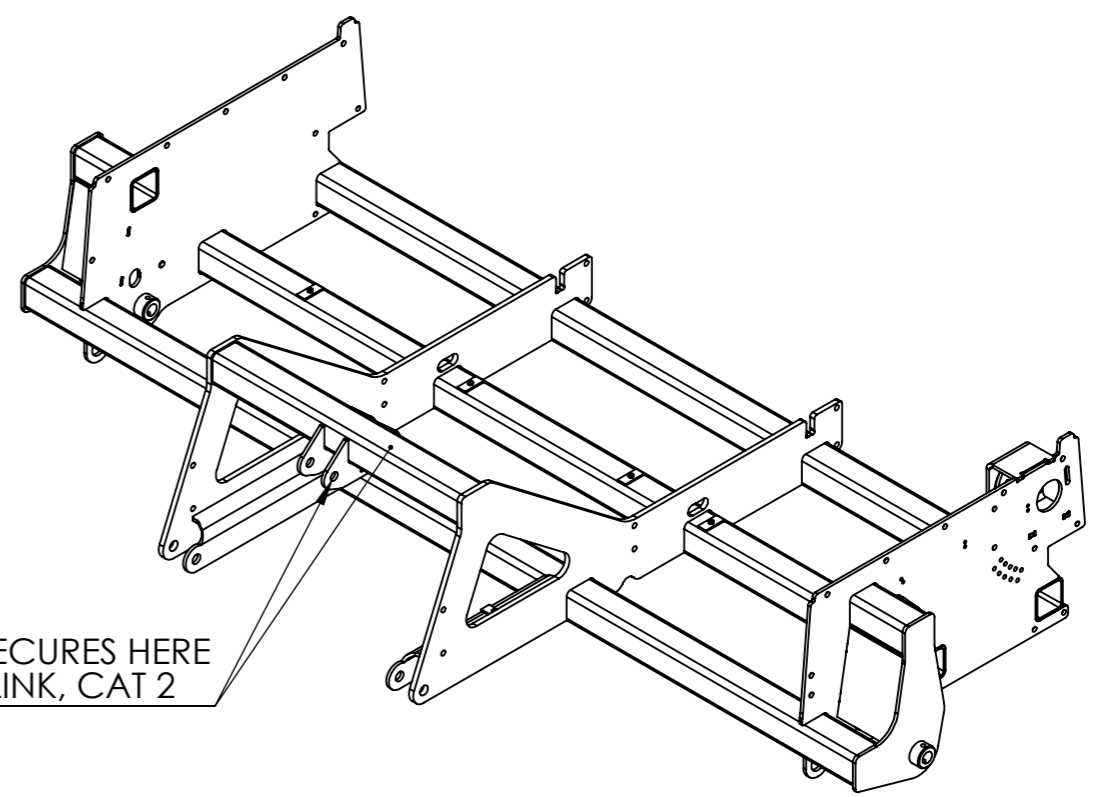
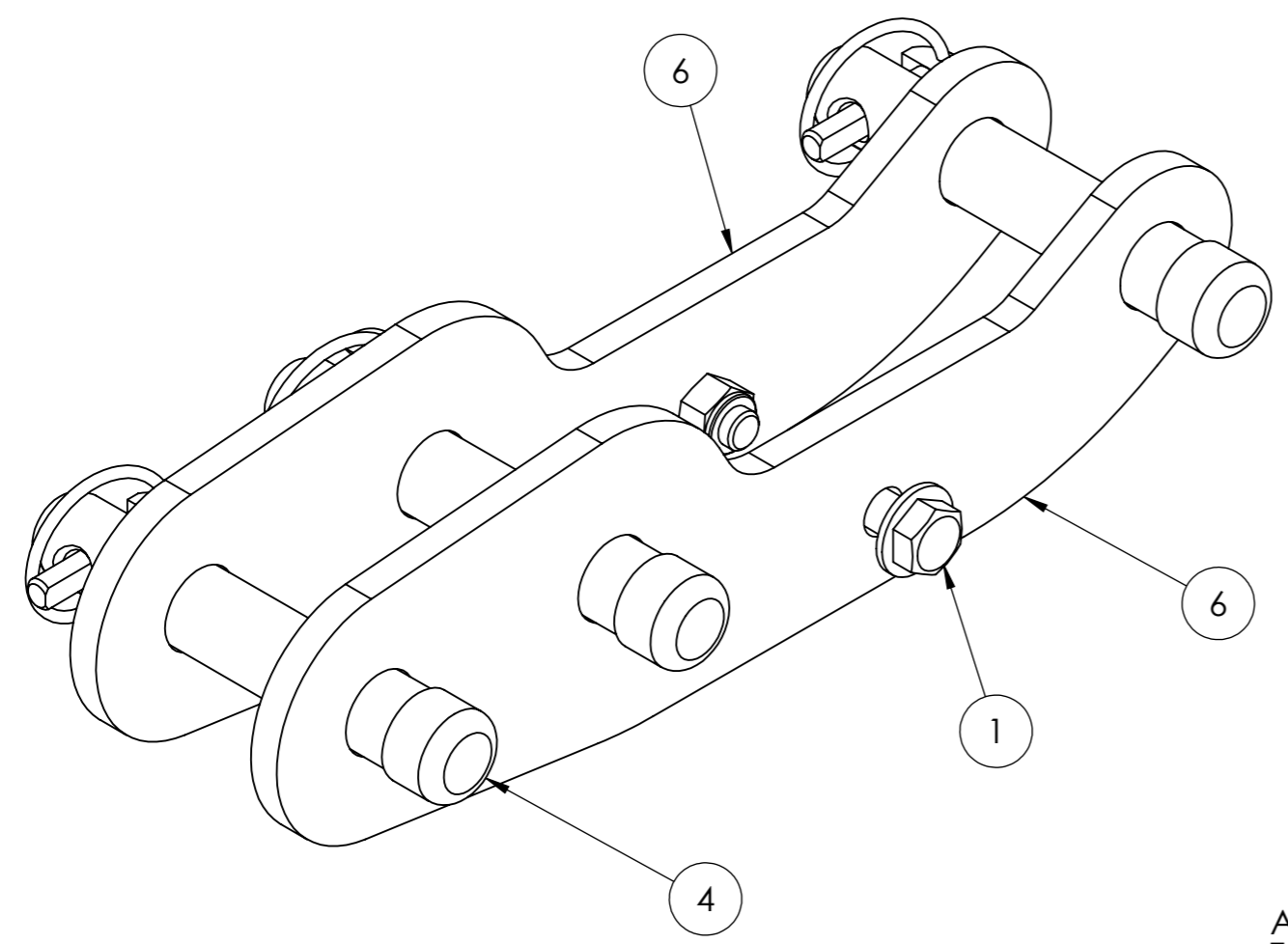
PART NUMBER **630-2008**  
 SHEET: PAGE: 1 OF 1 30

A  
B  
C  
D

A  
B  
C  
D

1 2 3 4 5 6

ITEM NO.	PART NUMBER	DESCRIPTION	QTY.
1	133-4123	M12 x 40 HEX BOLT ZINC	2
2	134-4016	M12 HEX NYLOCK NUT ZINC PLATED	2
3	135-3012	WASHER FLAT M12	2
4	140-0004	PIN CLEVIS 1" 115mm CAT 2 TOP	3
5	140-0039	LYNCH PIN 11mm 32mm	3
6	630-4097	AD130 HITCH 3pt LINK PLATE	2



ASSEMBLY SECURES HERE TO SUIT 3pt LINK, CAT 2

**AGROWFLOW**  
 COPYRIGHT RESERVED  
 THIS DRAWING IS THE PROPERTY AGROWFLOW PTY LTD, AND IS SUBJECT TO RETURN UPON DEMAND. IT IS SUBMITTED FOR USE ONLY IN CONNECTION WITH PROPOSALS OR CONTRACTS OF THIS ORGANISATION UPON THE EXPRESS CONDITION THAT IT IS NOT TO BE USED DIRECTLY OR INDIRECTLY IN ANY WAY DETRIMENTAL TO THE INTERESTES OF AGROWFLOW PTY LTD.

TITLE:  
**AD130 FRONT HITCH  
 3pt LINK CAT2  
 ASSEMBLY**  
 01-May-17

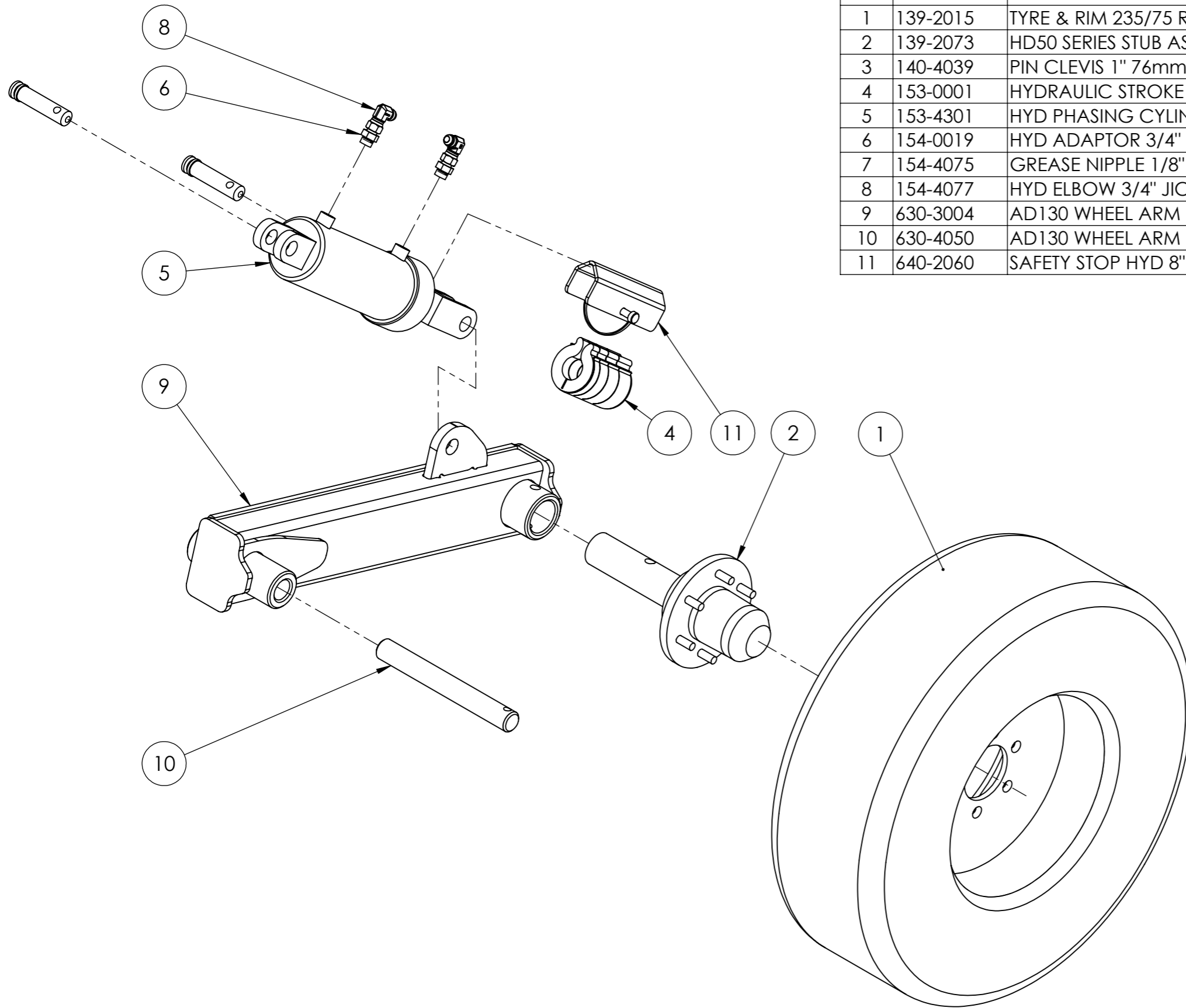
PART NUMBER  
**630-2014**  
 SHEET: PAGE:  
 1 OF 1 31

A  
B  
C  
D

A  
B  
C  
D

1 2 3 4 5 6

ITEM NO.	PART NUMBER	DESCRIPTION	Hydraulic Lift/QTY.
1	139-2015	TYRE & RIM 235/75 R15	1
2	139-2073	HD50 SERIES STUB ASSLY 6 STUDS	1
3	140-4039	PIN CLEVIS 1" 76mm CAT2	2
4	153-0001	HYDRAULIC STROKE CONTROL SEGMENTS 1.1/8"-1.1/2" ROD	1
5	153-4301	HYD PHASING CYLINDER AD230, RH	1
6	154-0019	HYD ADAPTOR 3/4" UNO TO 3/4" JIC	2
7	154-4075	GREASE NIPPLE 1/8" B.S.P.	1
8	154-4077	HYD ELBOW 3/4" JIC MALE, 3/4" JIC FEMALE SWIVEL	2
9	630-3004	AD130 WHEEL ARM	1
10	630-4050	AD130 WHEEL ARM PIN	1
11	640-2060	SAFETY STOP HYD 8"	1



**AGROWFLOW**  
 COPYRIGHT RESERVED  
 THIS DRAWING IS THE PROPERTY AGROWFLOW PTY LTD, AND IS SUBJECT TO RETURN UPON DEMAND. IT IS SUBMITTED FOR USE ONLY IN CONNECTION WITH PROPOSALS OR CONTRACTS OF THIS ORGANISATION UPON THE EXPRESS CONDITION THAT IT IS NOT TO BE USED DIRECTLY OR INDIRECTLY IN ANY WAY DETRIMENTAL TO THE INTERESTES OF AGROWFLOW PTY LTD.

TITLE:  
**AD130 HYD LIFT  
 WHEEL ARM  
 ASSEMBLY LEFT**  
 09-Jan-18

PART NUMBER  
**630-2001**  
 SHEET: PAGE:  
 1 OF 1 32

A

B

C

D

A

B

C

D

1

2

3

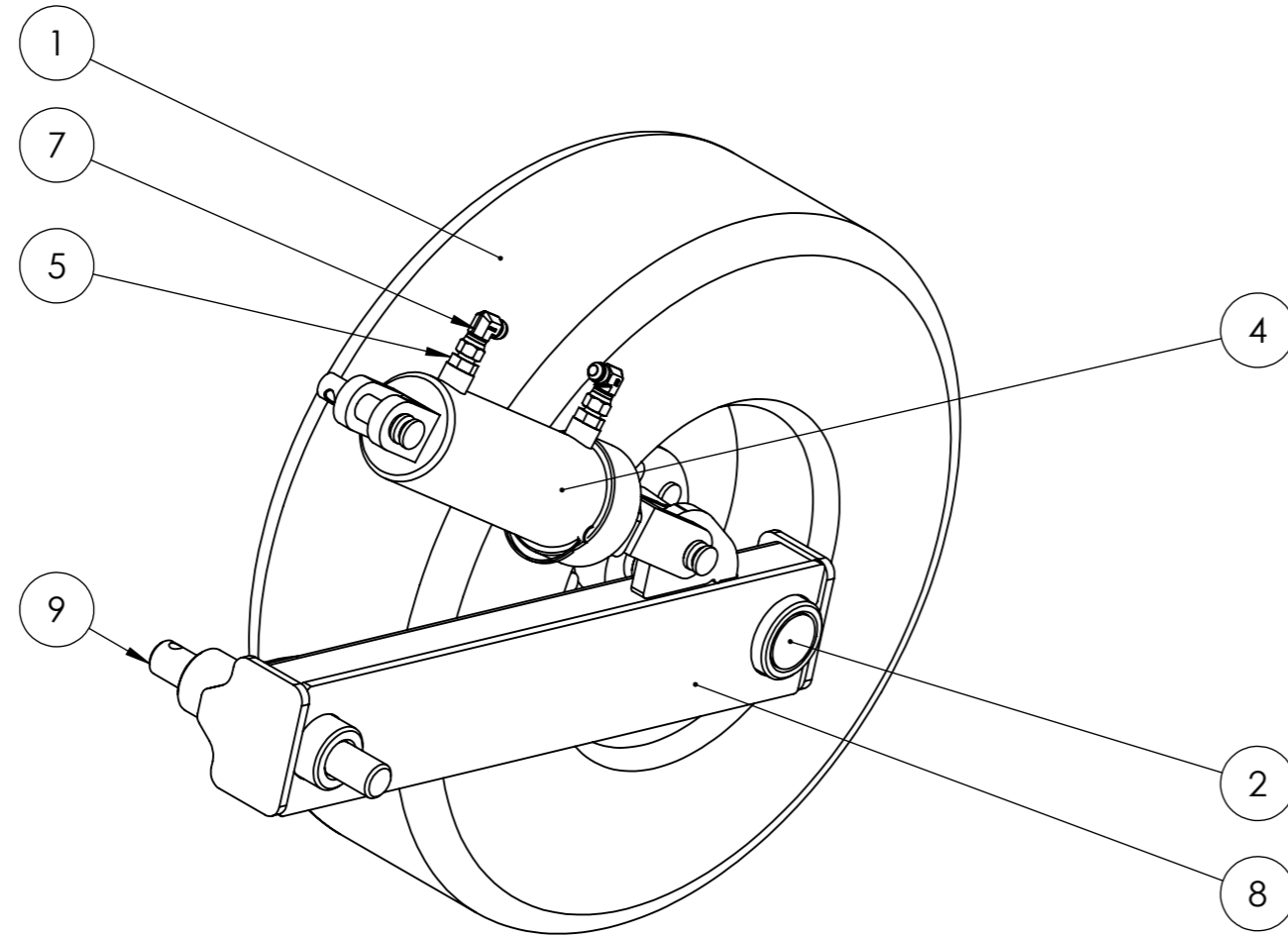
4

5

6



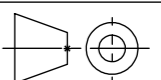
ITEM NO.	PART NUMBER	DESCRIPTION	Hydraulic Lift/QTY.
1	139-2015	TYRE & RIM 235/75 R15	1
2	139-2073	HD50 SERIES STUB ASSLY 6 STUDS	1
3	140-4039	PIN CLEVIS 1" 76mm CAT2	2
4	153-4302	HYD PHASING CYLINDER AD230, LH	1
5	154-0019	HYD ADAPTOR 3/4" UNO TO 3/4" JIC	2
6	154-4075	GREASE NIPPLE 1/8" B.S.P.	1
7	154-4077	HYD ELBOW 3/4" JIC MALE, 3/4" JIC FEMALE SWIVEL	2
8	630-3004	AD130 WHEEL ARM	1
9	630-4050	AD130 WHEEL ARM PIN	1
10	640-2060	SAFETY STOP HYD 8"	1

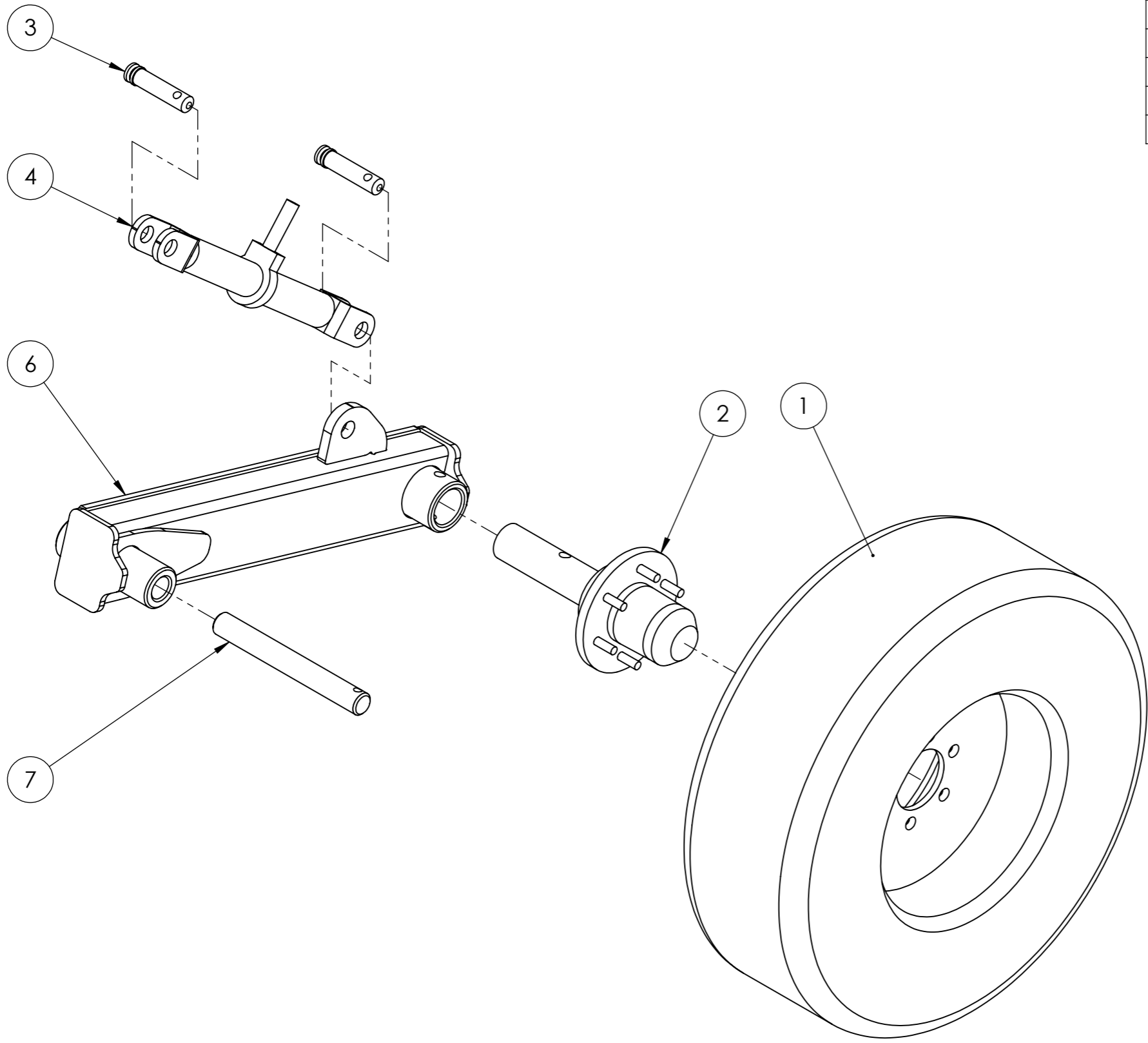


WHEEL ARM ASSEMBLY IS MIRROR OF 630-2001  
WITH PAIRED PHAZING CYLINDER

**AGROWFLOW**  
COPYRIGHT RESERVED  
 THIS DRAWING IS THE PROPERTY AGROWFLOW PTY LTD, AND IS SUBJECT TO RETURN UPON DEMAND. IT IS SUBMITTED FOR USE ONLY IN CONNECTION WITH PROPOSALS OR CONTRACTS OF THIS ORGANISATION UPON THE EXSPRESS CONDITION THAT IT IS NOT TO BE USED DIRECTLY OR INDIRECTLY IN ANY WAY DETRIMENTAL TO THE INTERESTES OF AGROWFLOW PTY LTD.

TITLE:  
**AD130 HYD LIFT  
 WHEEL ARM  
 ASSEMBLY RIGHT**  
01-May-17

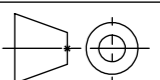
PART NUMBER  
**630-2002**  
  
 SHEET: PAGE:  
 1 OF 1 33



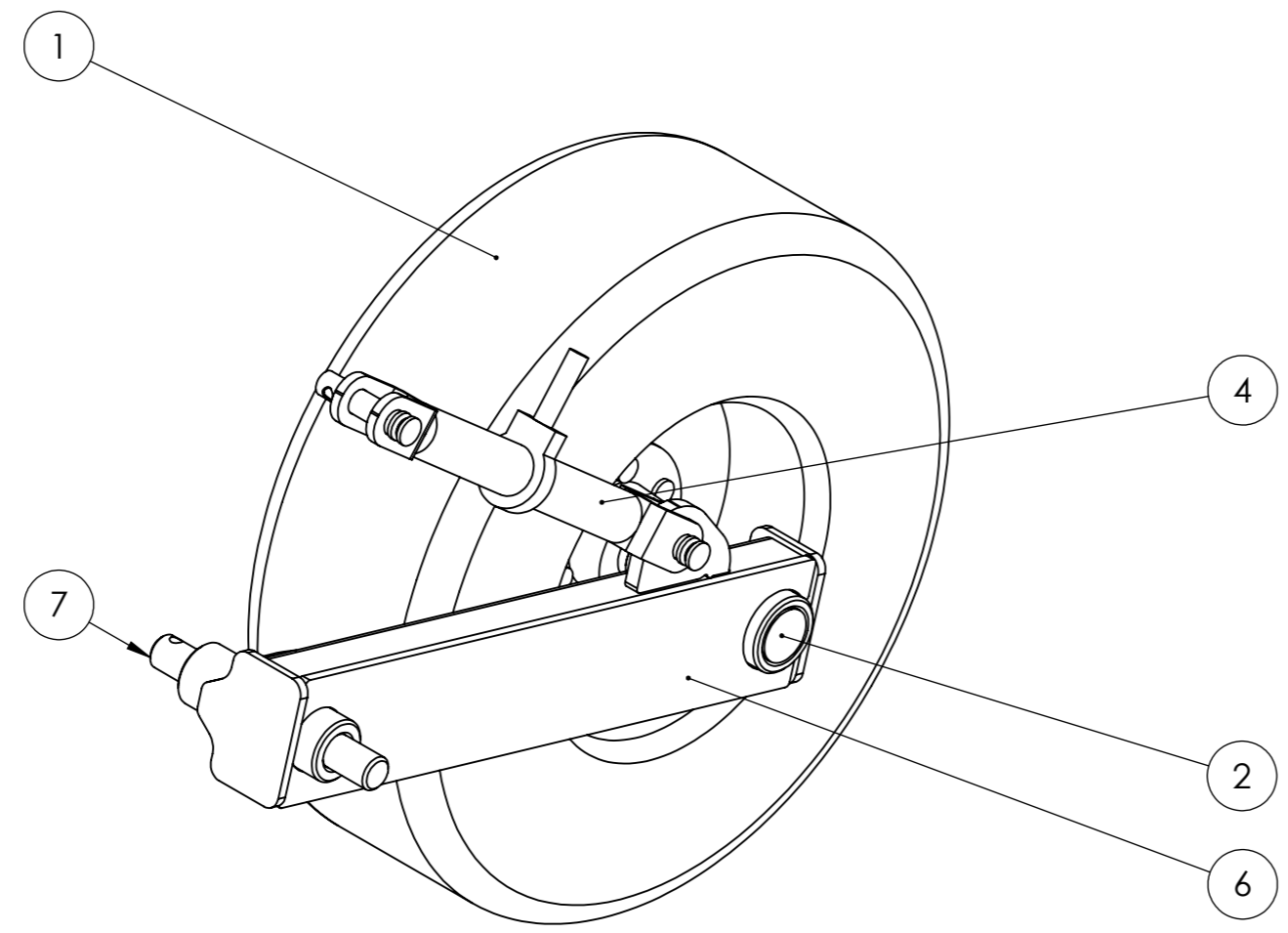
ITEM NO.	PART NUMBER	DESCRIPTION	Depth Stop/QTY.
1	139-2015	TYRE & RIM 235/75 R15	1
2	139-2073	HD50 SERIES STUB ASSLY 6 STUDS	1
3	140-4039	PIN CLEVIS 1" 76mm CAT2	2
4	142-4210	RATCHET RAM 514-717mm	1
5	154-4075	GREASE NIPPLE 1/8" B.S.P.	1
6	630-3004	AD130 WHEEL ARM	1
7	630-4050	AD130 WHEEL ARM PIN	1

**AGROWFLOW**  
 COPYRIGHT RESERVED  
 THIS DRAWING IS THE PROPERTY AGROWFLOW PTY LTD, AND IS SUBJECT TO RETURN UPON DEMAND. IT IS SUBMITTED FOR USE ONLY IN CONNECTION WITH PROPOSALS OR CONTRACTS OF THIS ORGANISATION UPON THE EXPRESS CONDITION THAT IT IS NOT TO BE USED DIRECTLY OR INDIRECTLY IN ANY WAY DETRIMENTAL TO THE INTERESTES OF AGROWFLOW PTY LTD.

TITLE: **AD130 DEPTH STOP WHEEL ARM ASSEMBLY LEFT**  
 01-May-17

PART NUMBER **630-2029**  
  
 SHEET: 1 OF 1 PAGE: 34

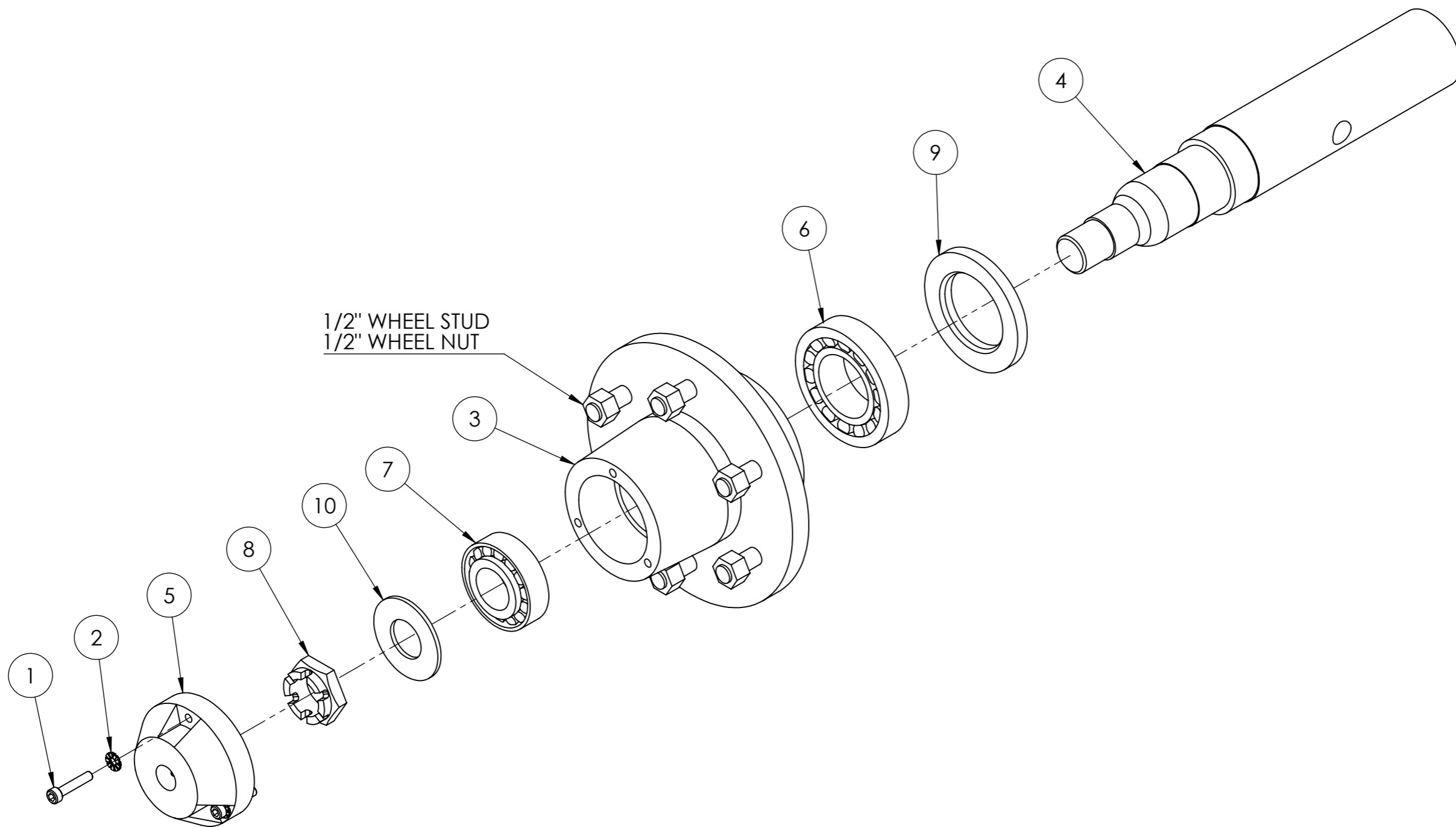
ITEM NO.	PART NUMBER	DESCRIPTION	Depth Stop/QTY.
1	139-2015	TYRE & RIM 235/75 R15	1
2	139-2073	HD50 SERIES STUB ASSLY 6 STUDS	1
3	140-4039	PIN CLEVIS 1" 76mm CAT2	2
4	142-4210	RATCHET RAM 514-717mm	1
5	154-4075	GREASE NIPPLE 1/8" B.S.P.	1
6	630-3004	AD130 WHEEL ARM	1
7	630-4050	AD130 WHEEL ARM PIN	1



WHEEL ARM ASSEMBLY IS MIRROR OF 630-2001  
WITH PAIRED PHAZING CYLINDER

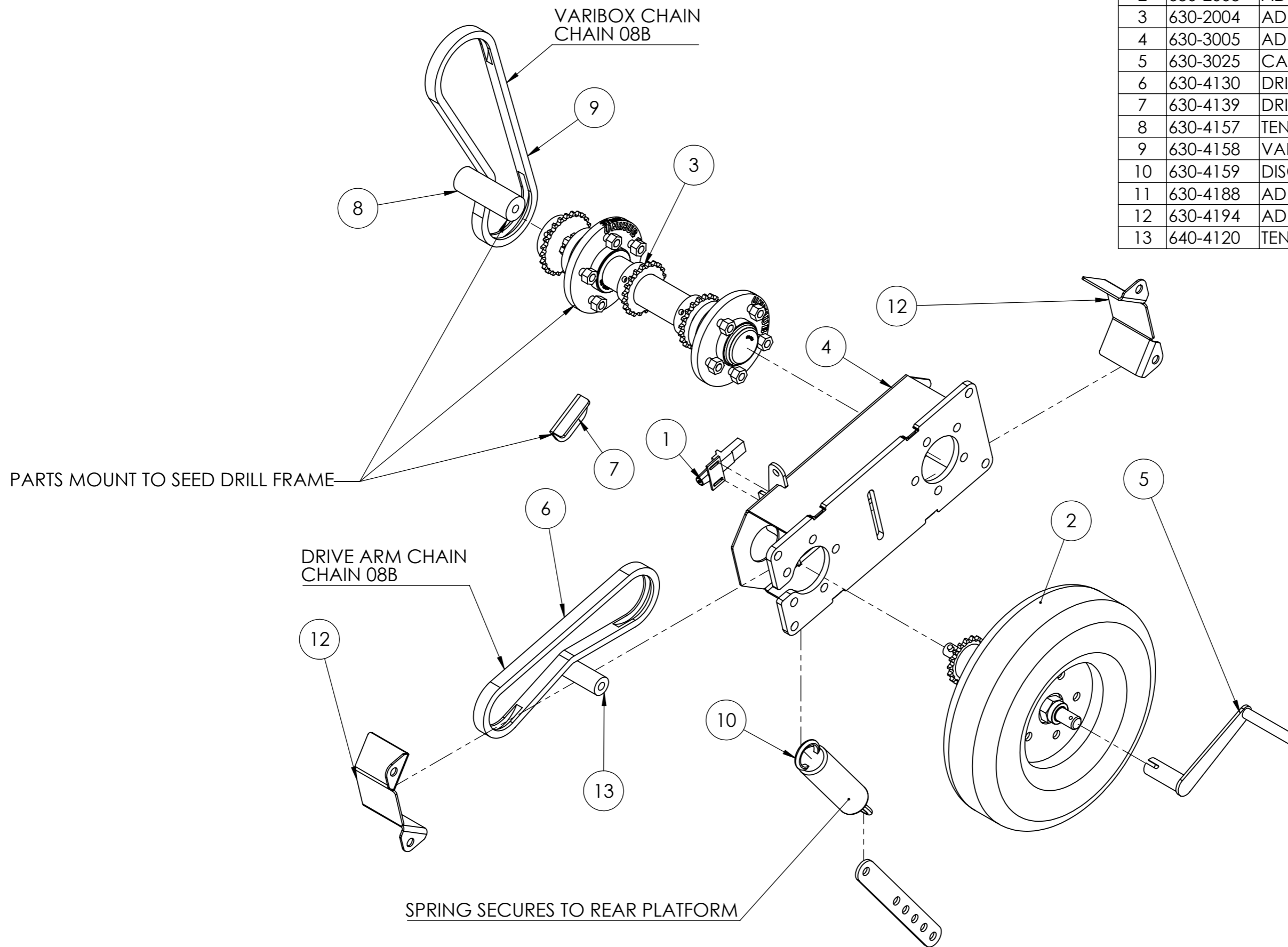
<p align="center"><b>AGROWFLOW</b></p> <p align="center">COPYRIGHT RESERVED</p> <p align="center">THIS DRAWING IS THE PROPERTY AGROWFLOW PTY LTD, AND IS SUBJECT TO RETURN UPON DEMAND. IT IS SUBMITTED FOR USE ONLY IN CONNECTION WITH PROPOSALS OR CONTRACTS OF THIS ORGANISATION UPON THE EXSPRESS CONDITION THAT IT IS NOT TO BE USED DIRECTLY OR INDIRECTLY IN ANY WAY DETRIMENTAL TO THE INTERESTES OF AGROWFLOW PTY LTD.</p>	<p>TITLE:</p> <p align="center"><b>AD130 DEPTH STOP WHEEL ARM ASSEMBLY RIGHT</b></p>	<p>PART NUMBER</p> <p align="center"><b>630-2030</b></p>
	<p>01-May-17</p>	<p>SHEET: PAGE:</p> <p align="center">1 OF 1 35</p>

ITEM NO.	PART NUMBER	DESCRIPTION	QTY.
1	133-0026	SCREW SOCKET M6 x 30	3
2	135-3028	WASHER RIBLOCK M8	3
3	139-3220	HD50 HUB including STUDS and WHEEL NUTS	1
4	139-3221	HD50 STUB	1
5	139-3222	HD50 DUST CAP with GREASE NIPPLE	1
6	139-3223	HD50 INNER BEARING	1
7	139-3224	HD50 OUTER BEARING	1
8	139-3225	HD50 CASTLE NUT M27x2 LOW PROFILE	1
9	139-3226	HD50 SEAL RING	1
10	139-3227	WASHER FLAT 1.1/8"	1



<p><b>AGROWFLOW</b></p> <p><small>COPYRIGHT RESERVED</small></p> <p><small>THIS DRAWING IS THE PROPERTY AGROWFLOW PTY LTD, AND IS SUBJECT TO RETURN UPON DEMAND. IT IS SUBMITTED FOR USE ONLY IN CONNECTION WITH PROPOSALS OR CONTRACTS OF THIS ORGANISATION UPON THE EXPRESS CONDITION THAT IT IS NOT TO BE USED DIRECTLY OR INDIRECTLY IN ANY WAY DETRIMENTAL TO THE INTERESTES OF AGROWFLOW PTY LTD.</small></p>	<p>TITLE: <b>HD50, with 56 AXLE ASSEMBLY</b></p>	<p>PART NUMBER <b>139-2073</b></p>
	<p>24/05/2017</p>	<p>SHEET: <b>36</b></p>

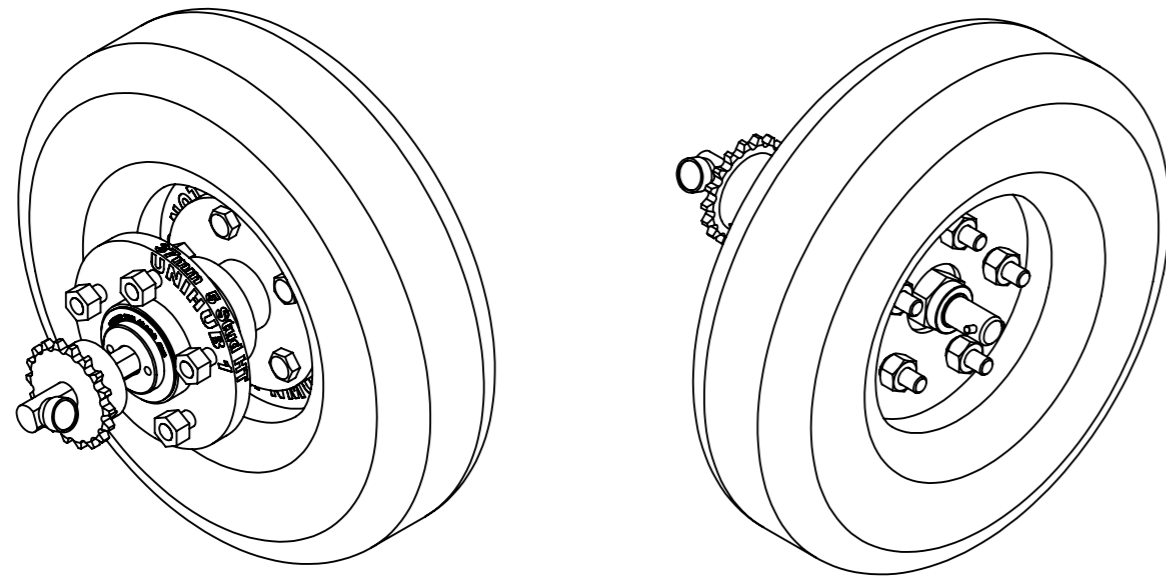
ITEM NO.	PART NUMBER	DESCRIPTION	QTY.
1	114-4063	ACRE METRE SENSOR	1
2	630-2003	AD130 DRIVE WHEEL ASSEMBLY	1
3	630-2004	AD130 DRIVE SHAFT ASSEMBLY	1
4	630-3005	AD130 DRIVE ARM	1
5	630-3025	CALIBRATION HANDLE	1
6	630-4130	DRIVE ARM CHAIN	1
7	630-4139	DRIVE ARM STOP	1
8	630-4157	TENSIONER 40OD 110mm	1
9	630-4158	VARIBOX CHAIN	1
10	630-4159	DISC-TENSION SPRING	1
11	630-4188	AD130 SPRING TENSION PLATE	1
12	630-4194	AD130 DRIVE ARM END GUARD	2
13	640-4120	TENSIONER 30OD 80mm	1



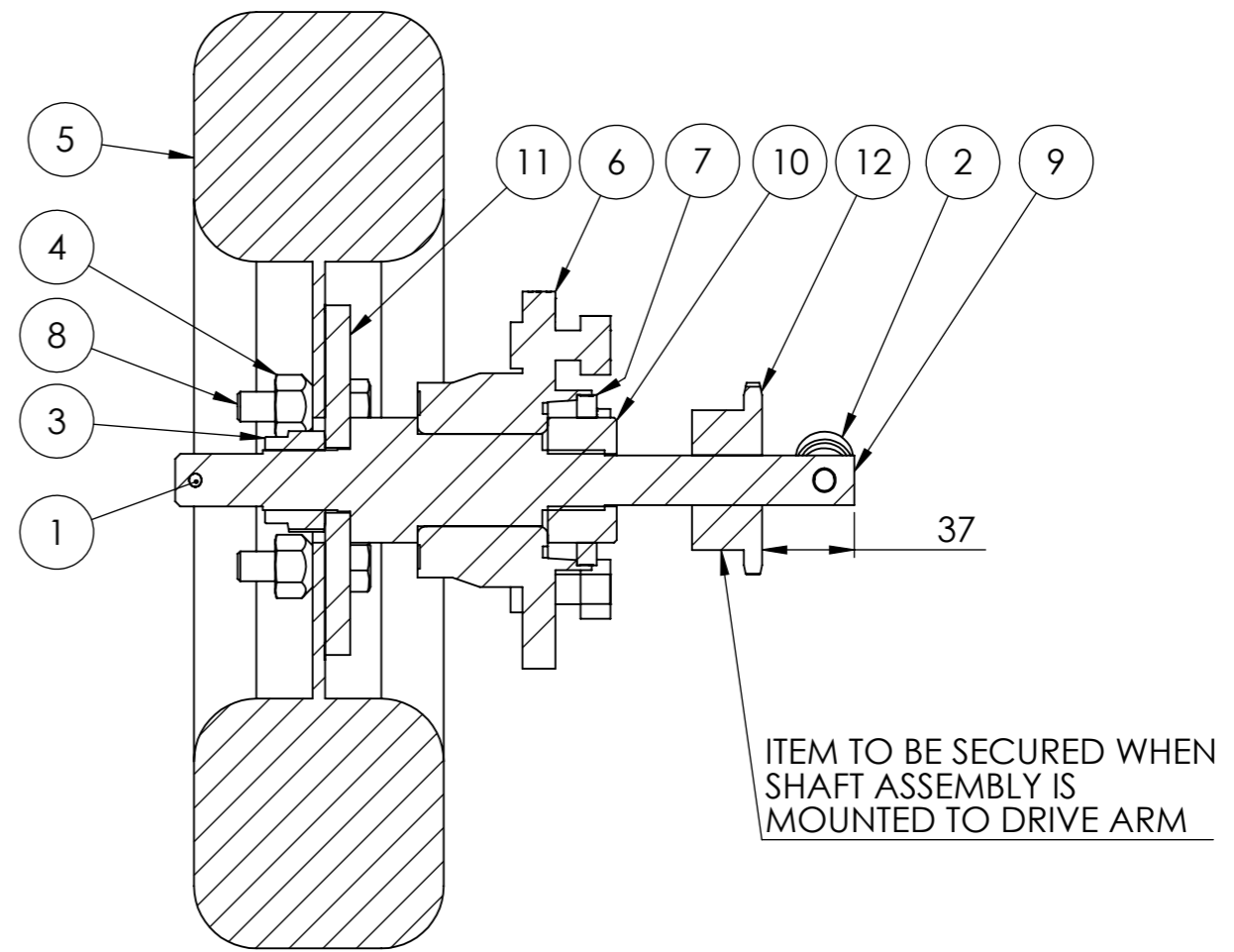
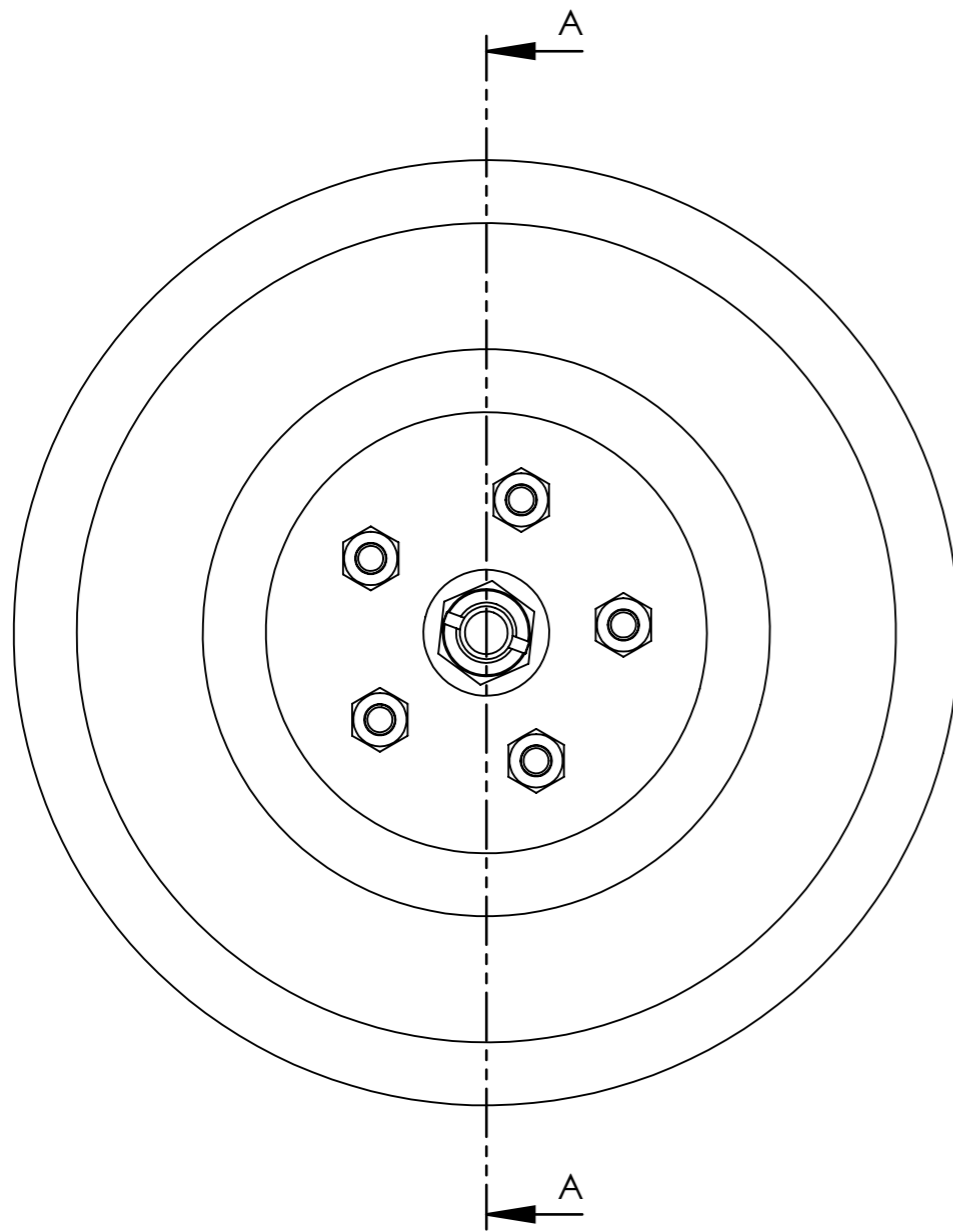
**AGROWFLOW**  
 COPYRIGHT RESERVED  
 THIS DRAWING IS THE PROPERTY AGROWFLOW PTY LTD, AND IS SUBJECT TO RETURN UPON DEMAND. IT IS SUBMITTED FOR USE ONLY IN CONNECTION WITH PROPOSALS OR CONTRACTS OF THIS ORGANISATION UPON THE EXPRESS CONDITION THAT IT IS NOT TO BE USED DIRECTLY OR INDIRECTLY IN ANY WAY DETRIMENTAL TO THE INTERESTES OF AGROWFLOW PTY LTD.

TITLE: **AD130 DRIVE ASSEMBLY**  
 01-Jun-17

PART NUMBER **630-2005**  
 SHEET: PAGE: **1 OF 1 37**



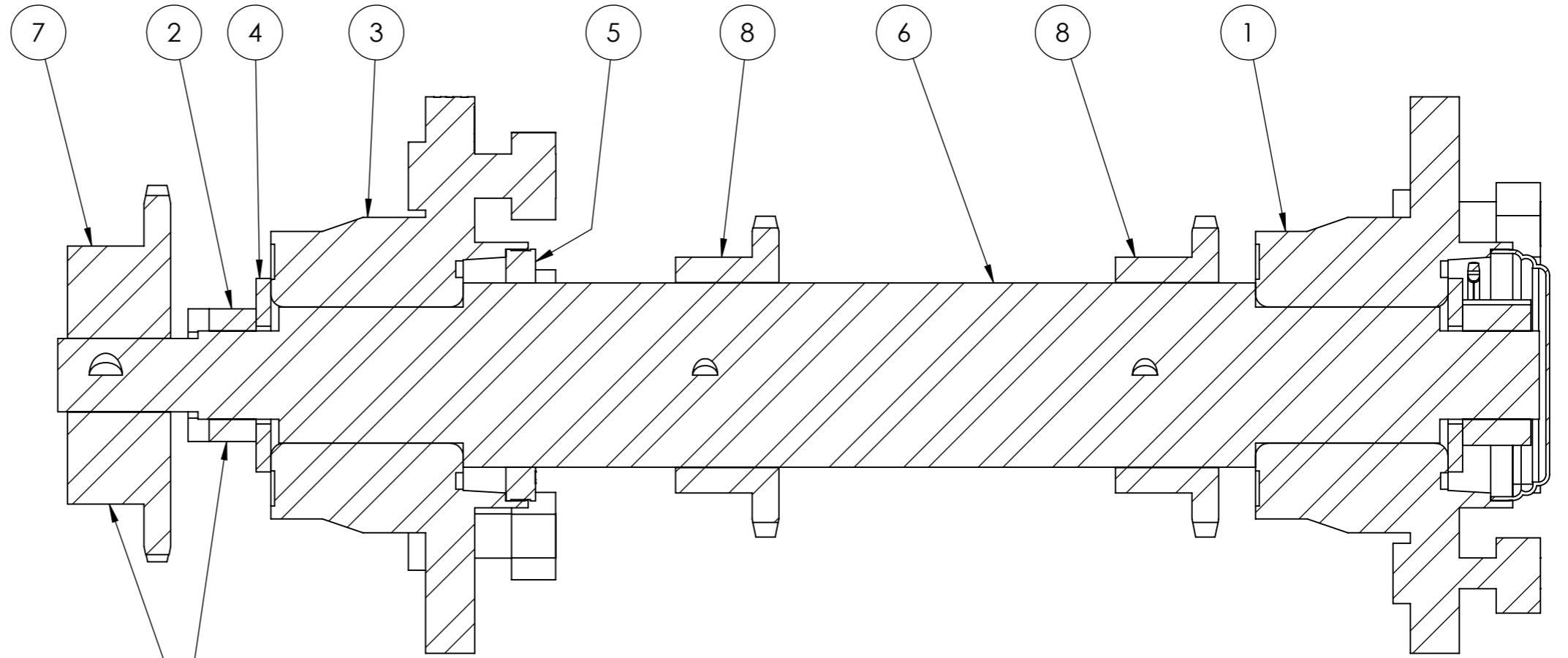
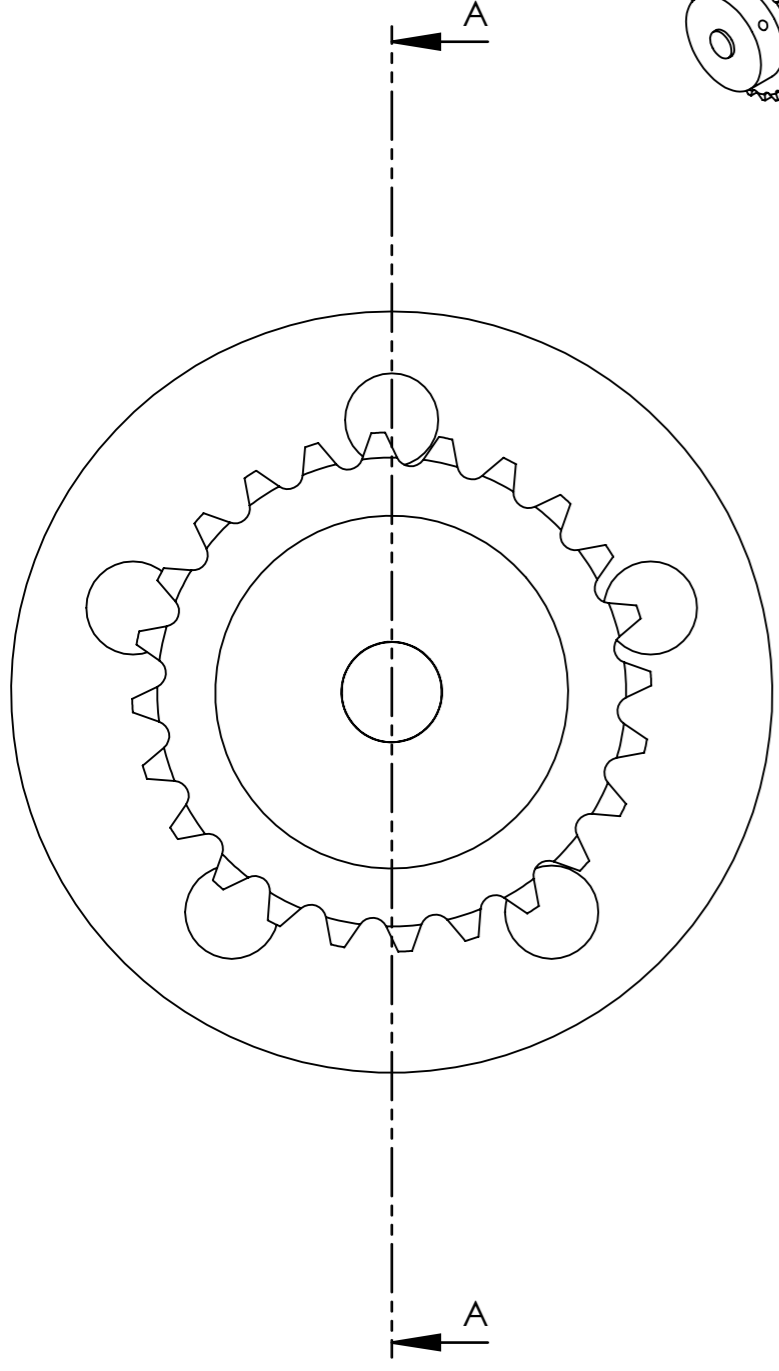
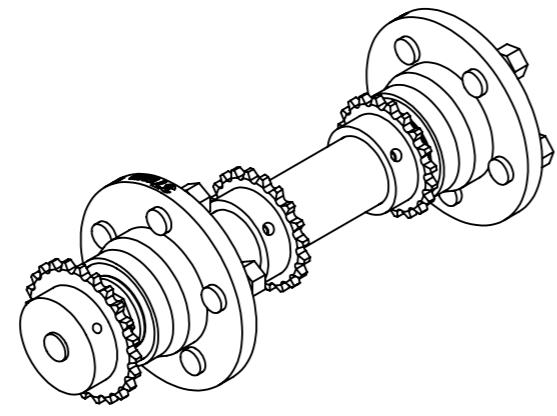
ITEM NO.	PART NUMBER	DESCRIPTION	QTY.
1	112-4036	ROLL PIN 5 X 35mm	1
2	114-4184	ACRE METRE MAGNET	1
3	134-4042	M24 HEX NYLOCK NUT GR 8.8 ZINC PLATED	1
4	139-1036	M12 x 1.5 THREAD WHEEL NUT	5
5	139-2075	DRIVE WHEEL	1
6	161-0120	UNI-HUB 1 37mm BEARING HUB	1
7	161-0127	UNI-HUB 1, SEAL 50ID	1
8	202-0149	M12 x 45 HEX BOLT 1.5 TREAD ZINC GR8.8	5
9	630-4062	AD130 DRIVE WHEEL SHAFT	1
10	630-4066	UNI HUB 1 M24 SHAFT LOCK	1
11	630-4067	AD130 DRIVE WHEEL MOUNT	1
12	630-4129	SPROCKET SIMPLEX 08B 18T 20mmBORE GRUB	1



SECTION A-A

<p><b>AGROWFLOW</b></p> <p><small>COPYRIGHT RESERVED</small></p> <p><small>THIS DRAWING IS THE PROPERTY AGROWFLOW PTY LTD, AND IS SUBJECT TO RETURN UPON DEMAND. IT IS SUBMITTED FOR USE ONLY IN CONNECTION WITH PROPOSALS OR CONTRACTS OF THIS ORGANISATION UPON THE EXPRESS CONDITION THAT IT IS NOT TO BE USED DIRECTLY OR INDIRECTLY IN ANY WAY DETRIMENTAL TO THE INTERESTS OF AGROWFLOW PTY LTD.</small></p>	<p>TITLE:</p> <p><b>AD130 DRIVE WHEEL ASSEMBLY</b></p>	<p>PART NUMBER</p> <p><b>630-2003</b></p>
	<p>21-Nov-17</p>	<p>SHEET: PAGE:</p> <p>1 OF 1 38</p>

ITEM NO.	PART NUMBER	DESCRIPTION	QTY.
1	161-0001	UNI HUB 1 ASSEMBLY	1
2	161-0113	M24 CASTLE NUT FINE THREAD 2	1
3	161-0120	UNI-HUB 1 37mm BEARING HUB	1
4	161-0121	UNI-HUB 1 BEARING WASHER	1
5	161-0127	RUBBER SEAL 50ID 68.3OD	1
6	630-4068	AD130 DRIVE ARM SHAFT	1
7	630-4110	SPROCKET SIMPLEX 08B 24T 20mmBORE GRUB	1
8	630-4111	SPROCKET SIMPLEX 08B 20T 50mmBORE MACHINED GRUB	2



ITEMS NOT SECURED TILL SHAFT ASSEMBLY IS MOUNTED INTO DRILL FRAME

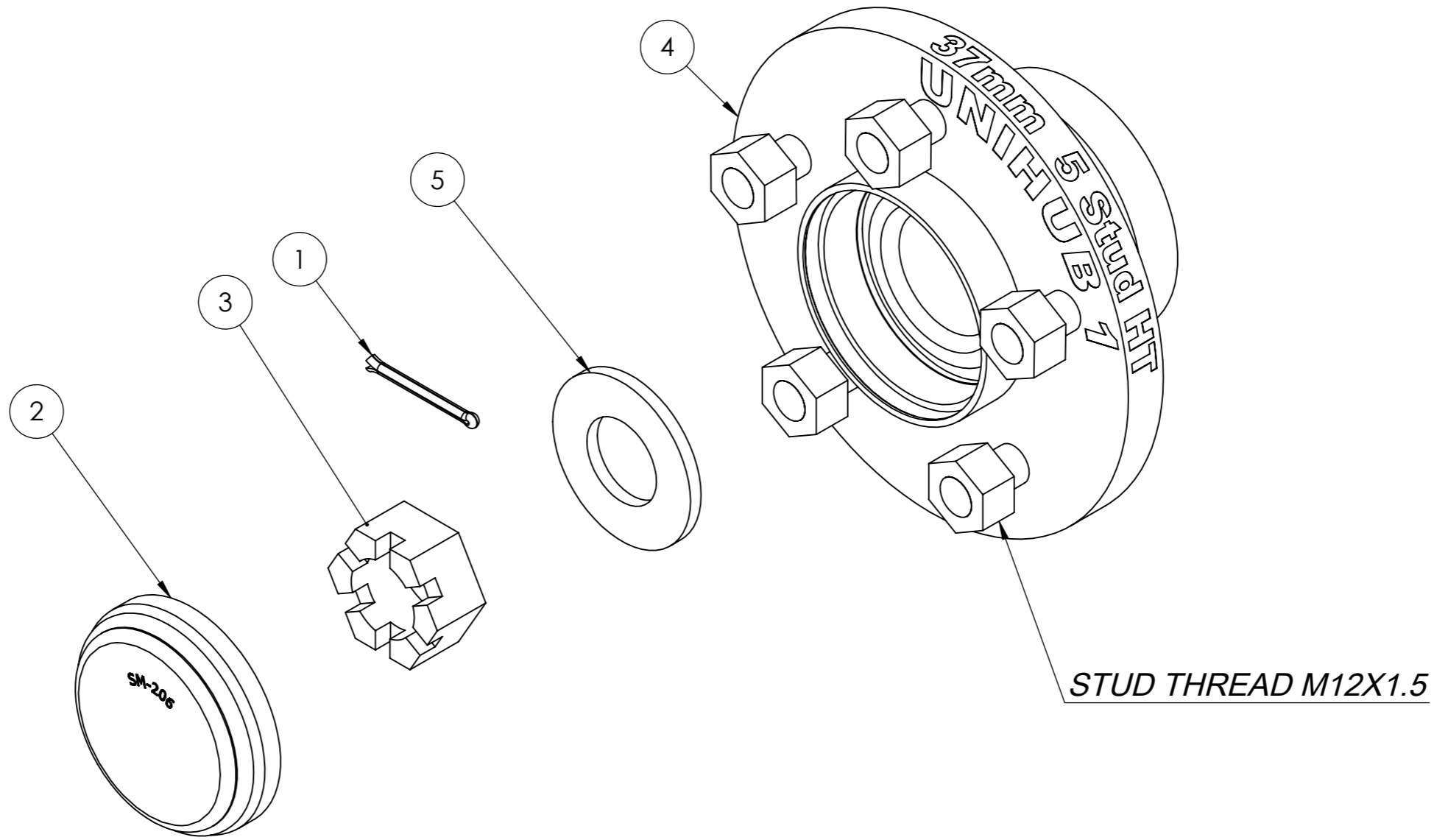
SECTION A-A

**AGROWFLOW**  
 COPYRIGHT RESERVED  
 THIS DRAWING IS THE PROPERTY AGROWFLOW PTY LTD, AND IS SUBJECT TO RETURN UPON DEMAND. IT IS SUBMITTED FOR USE ONLY IN CONNECTION WITH PROPOSALS OR CONTRACTS OF THIS ORGANISATION UPON THE EXPRESS CONDITION THAT IT IS NOT TO BE USED DIRECTLY OR INDIRECTLY IN ANY WAY DETRIMENTAL TO THE INTERESTES OF AGROWFLOW PTY LTD.

TITLE: **AD130 DRIVE ARM SHAFT ASSEMBLY**  
 01-May-17

PART NUMBER **630-2004**  
 SHEET: 1 OF 1 PAGE: 39

ITEM NO.	PART NUMBER	DESCRIPTION	QTY.
1	139-4202	PIN SPLIT 3.2mm x 32mm	1
2	161-0112	UNI HUB 3 HUB CAP	1
3	161-0113	M24 CASTLE NUT FINE THREAD 2	1
4	161-0120	UNI-HUB 1 37mm BEARING HUB	1
5	161-0121	UNI-HUB 1 BEARING WASHER	1



**AGROWFLOW**  
 COPYRIGHT RESERVED  
 THIS DRAWING IS THE PROPERTY AGROWFLOW PTY LTD, AND IS SUBJECT TO RETURN UPON DEMAND. IT IS SUBMITTED FOR USE ONLY IN CONNECTION WITH PROPOSALS OR CONTRACTS OF THIS ORGANISATION UPON THE EXPRESS CONDITION THAT IT IS NOT TO BE USED DIRECTLY OR INDIRECTLY IN ANY WAY DETRIMENTAL TO THE INTERESTES OF AGROWFLOW PTY LTD.

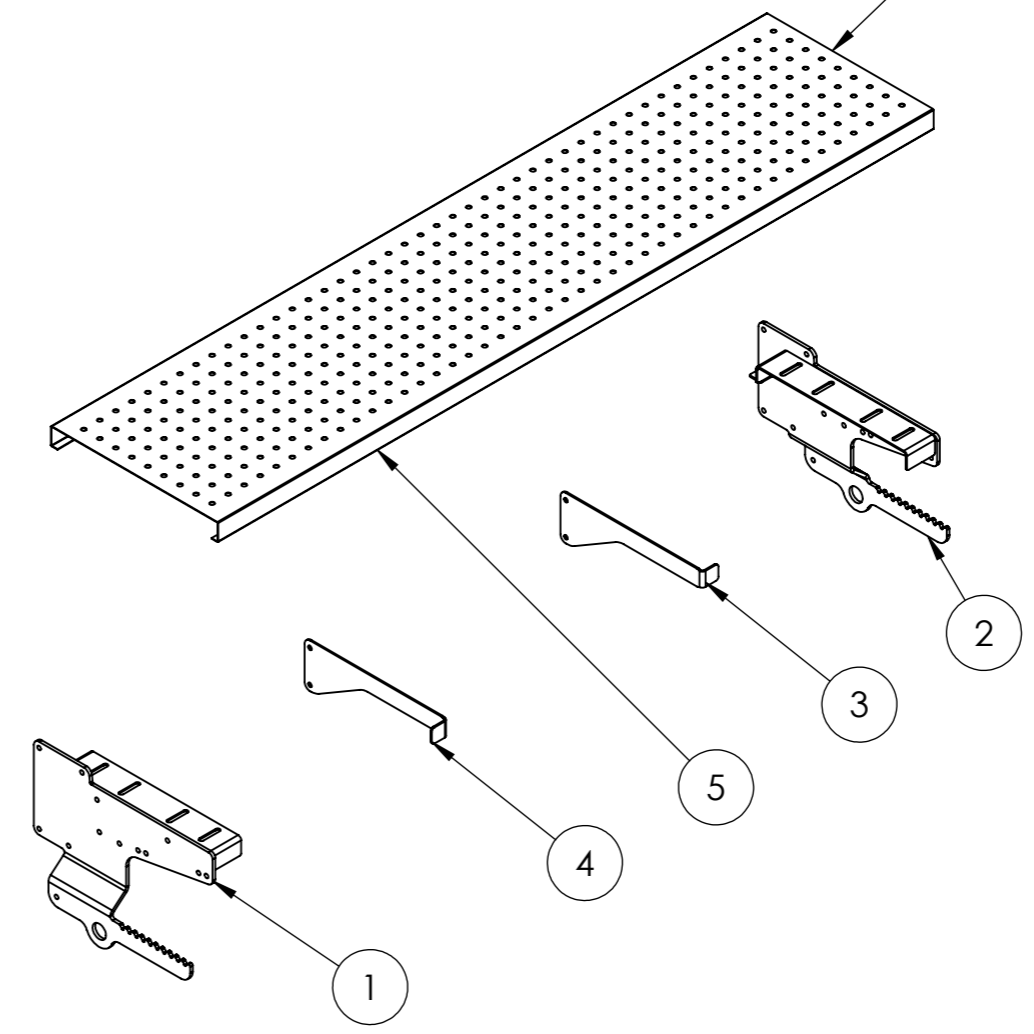
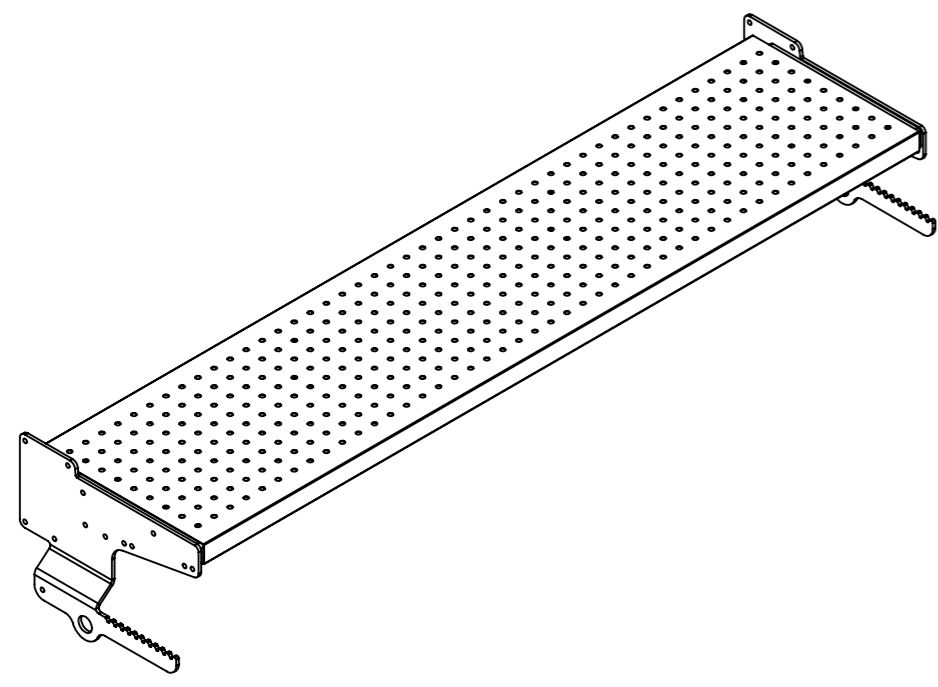
TITLE:  
**UNI-HUB 1, Assembly  
 (Hub, Cap, Washer, Nut,  
 Split pin)**  
 01-May-17

PART NUMBER  
**161-0001**  
 SHEET: PAGE:  
 1 OF 1 40

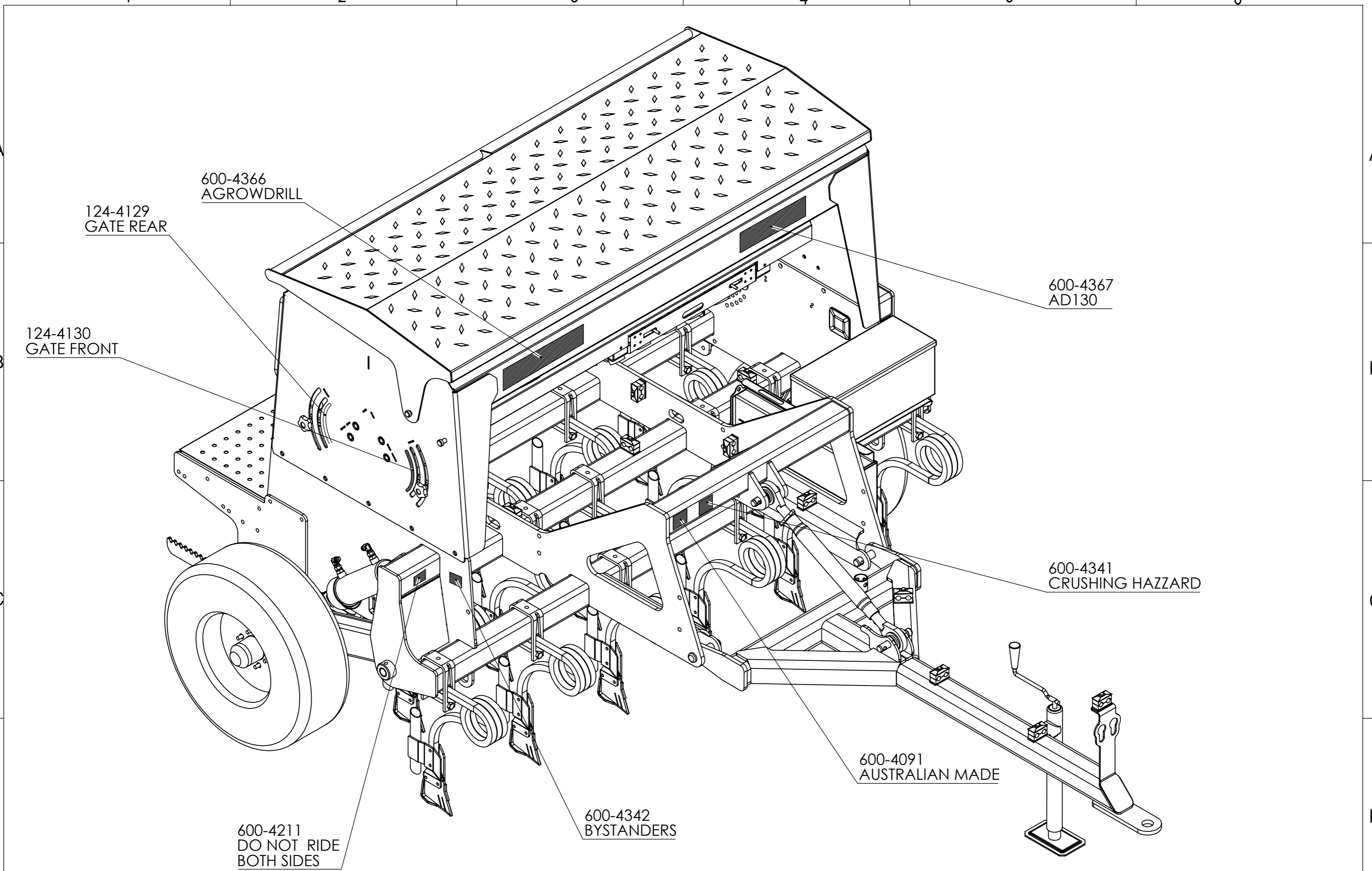


ITEM NO.	PART NUMBER	DESCRIPTION	Default/QTY.
1	630-3006	AD130 REAR PLATFORM LEFT END	1
2	630-3007	AD130 REAR PLATFORM RIGHT END	1
3	630-4070	AD130 REAR PLATFORM SUPPORT RIGHT	1
4	630-4071	AD130 REAR PLATFORM SUPPORT LEFT	1
5	630-5000	PLATFORM DECK	1

MUST SPECIFY MACHINE MODEL WHEN DISCUSSING PLATFORM DECK  
PART IS CUT TO SIZE BASED ON MACHINE WIDTH



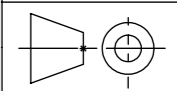
<p><b>AGROWFLOW</b></p> <p><small>COPYRIGHT RESERVED</small></p> <p><small>THIS DRAWING IS THE PROPERTY AGROWFLOW PTY LTD, AND IS SUBJECT TO RETURN UPON DEMAND. IT IS SUBMITTED FOR USE ONLY IN CONNECTION WITH PROPOSALS OR CONTRACTS OF THIS ORGANISATION UPON THE EXPRESS CONDITION THAT IT IS NOT TO BE USED DIRECTLY OR INDIRECTLY IN ANY WAY DETRIMENTAL TO THE INTERESTS OF AGROWFLOW PTY LTD.</small></p>	<p>TITLE:</p> <p><b>AD130 REAR PLAFFORM</b></p>	<p>PART NUMBER</p> <p><b>630-2006</b></p>
	<p>01-May-17</p>	<p>SHEET: PAGE:</p> <p>1 OF 1 41</p>



**AGROWFLOW**  
 COPYRIGHT RESERVED  
 THIS DRAWING IS THE PROPERTY AGROWFLOW PTY LTD, AND IS SUBJECT TO RETURN UPON DEMAND. IT IS SUBMITTED FOR USE ONLY IN CONNECTION WITH PROPOSALS OR CONTRACTS OF THIS ORGANISATION UPON THE EXPRESS CONDITION THAT IT IS NOT TO BE USED DIRECTLY OR INDIRECTLY IN ANY WAY DETRIMENTAL TO THE INTERESTS OF AGROWFLOW PTY LTD.

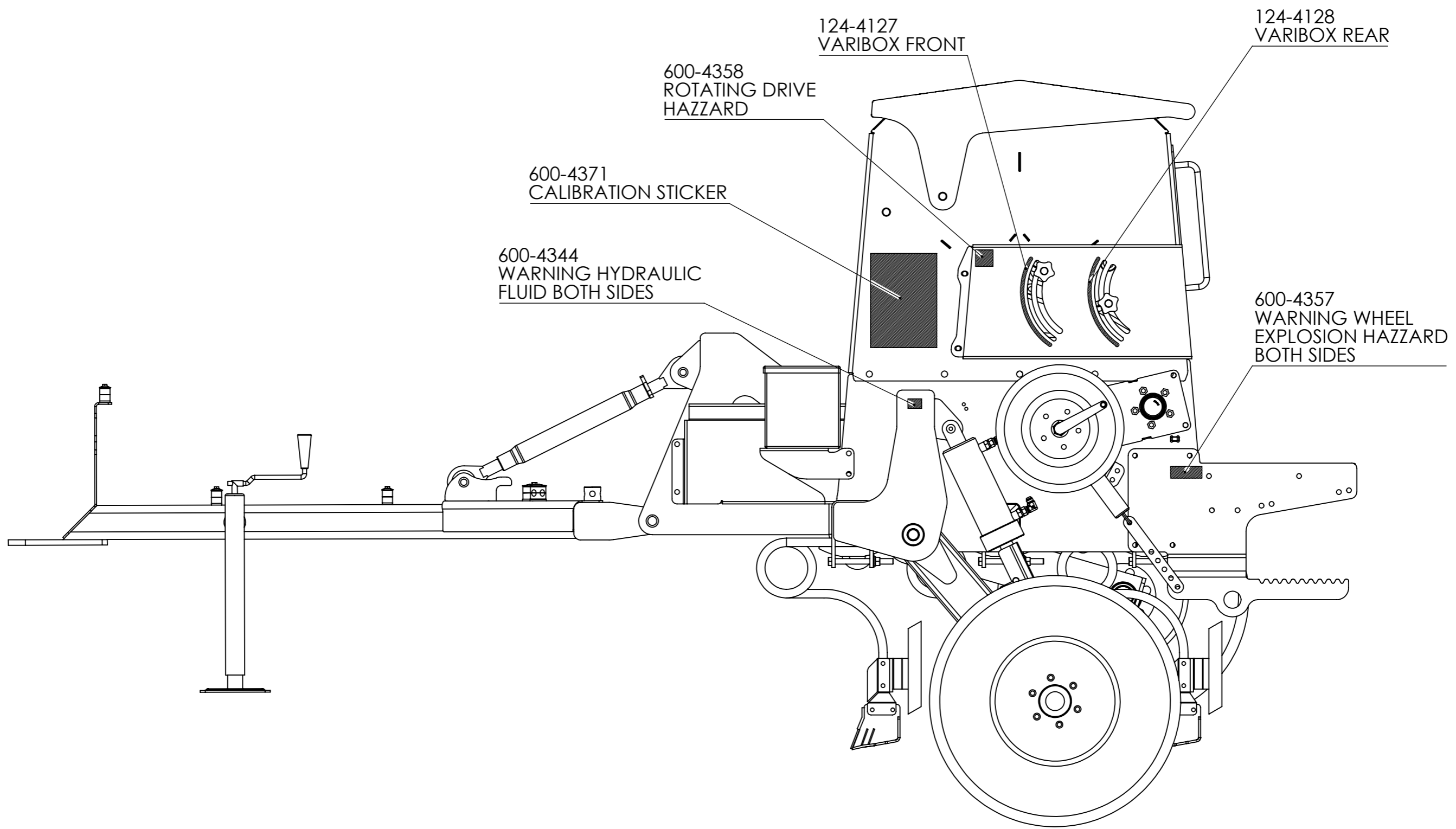
TITLE: **AD130 DECAL KIT**  
 21-Aug-17

PART NUMBER  
**630-1200**  
 SHEET: PAGE:  
 1 OF 3 42



1 2 3 4 5 6

A B C D

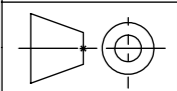


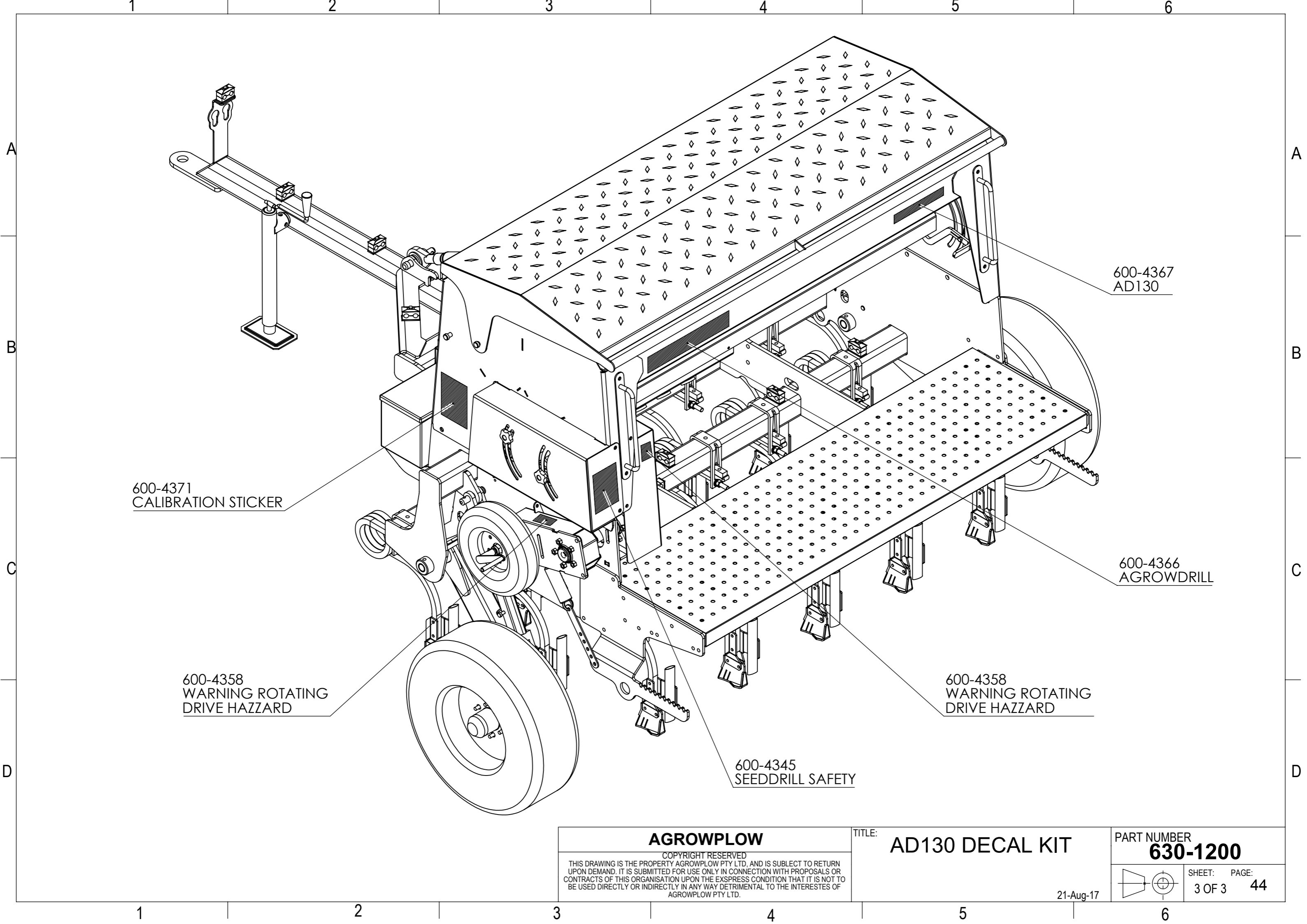
**AGROWFLOW**  
 COPYRIGHT RESERVED  
 THIS DRAWING IS THE PROPERTY AGROWFLOW PTY LTD, AND IS SUBJECT TO RETURN UPON DEMAND. IT IS SUBMITTED FOR USE ONLY IN CONNECTION WITH PROPOSALS OR CONTRACTS OF THIS ORGANISATION UPON THE EXPRESS CONDITION THAT IT IS NOT TO BE USED DIRECTLY OR INDIRECTLY IN ANY WAY DETRIMENTAL TO THE INTERESTES OF AGROWFLOW PTY LTD.

TITLE: **AD130 DECAL KIT**

PART NUMBER  
**630-1200**  
 SHEET: PAGE:  
 2 OF 3 43

21-Aug-17





600-4371  
CALIBRATION STICKER

600-4358  
WARNING ROTATING  
DRIVE HAZZARD

600-4345  
SEEDDRILL SAFETY

600-4367  
AD130

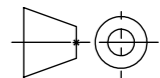
600-4366  
AGROWDRILL

600-4358  
WARNING ROTATING  
DRIVE HAZZARD

**AGROWPLOW**  
 COPYRIGHT RESERVED  
 THIS DRAWING IS THE PROPERTY AGROWPLOW PTY LTD, AND IS SUBJECT TO RETURN  
 UPON DEMAND. IT IS SUBMITTED FOR USE ONLY IN CONNECTION WITH PROPOSALS OR  
 CONTRACTS OF THIS ORGANISATION UPON THE EXSPRESS CONDITION THAT IT IS NOT TO  
 BE USED DIRECTLY OR INDIRECTLY IN ANY WAY DETRIMENTAL TO THE INTERESTES OF  
 AGROWPLOW PTY LTD.

TITLE: **AD130 DECAL KIT**

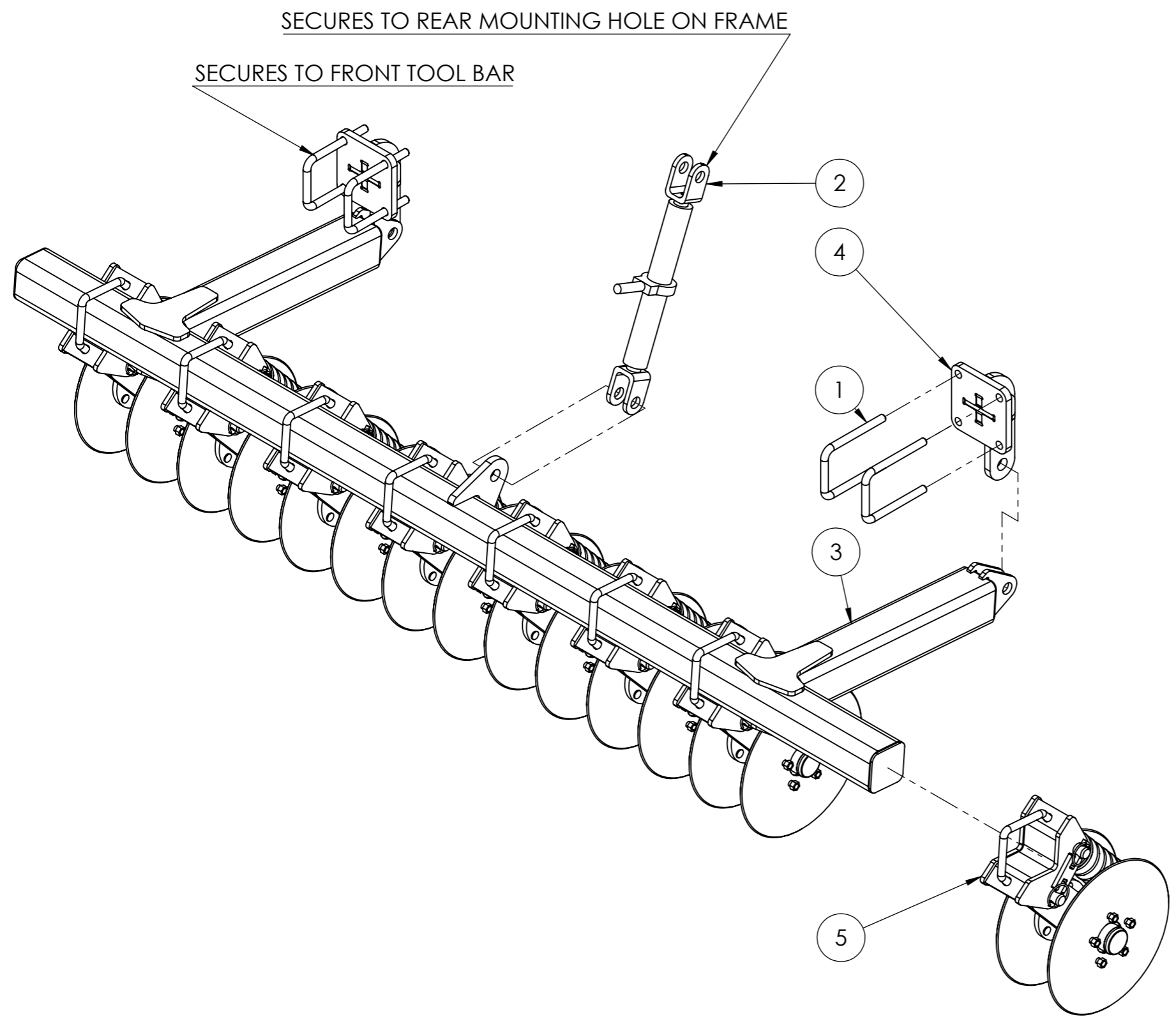
PART NUMBER  
**630-1200**



SHEET: PAGE:  
3 OF 3 44

21-Aug-17

ITEM NO.	PART NUMBER	DESCRIPTION	Default/ QTY.
1	130-4101	U BOLT M16 100x100	4
2	142-4210	RATCHET RAM 514-717mm	1
3	630-3008	AD130 DISC COULTER FRAME	1
4	630-3009	AD130 DISC COULTER BRACKET	2
5	644-2002	150mm DISC COULTER	VARIES

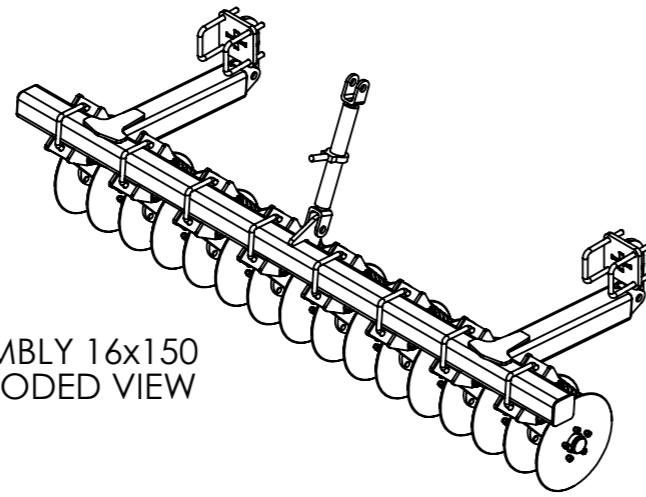


FOR SPECIFIC ROW SPACING SEE:  
 630-2016 COULTER ASSEMBLY TO SUIT 16x150  
 630-2017 COULTER ASSEMBLY TO SUIT 20x150

**AGROWFLOW**  
 COPYRIGHT RESERVED  
 THIS DRAWING IS THE PROPERTY AGROWFLOW PTY LTD, AND IS SUBJECT TO RETURN UPON DEMAND. IT IS SUBMITTED FOR USE ONLY IN CONNECTION WITH PROPOSALS OR CONTRACTS OF THIS ORGANISATION UPON THE EXPRESS CONDITION THAT IT IS NOT TO BE USED DIRECTLY OR INDIRECTLY IN ANY WAY DETRIMENTAL TO THE INTERESTES OF AGROWFLOW PTY LTD.

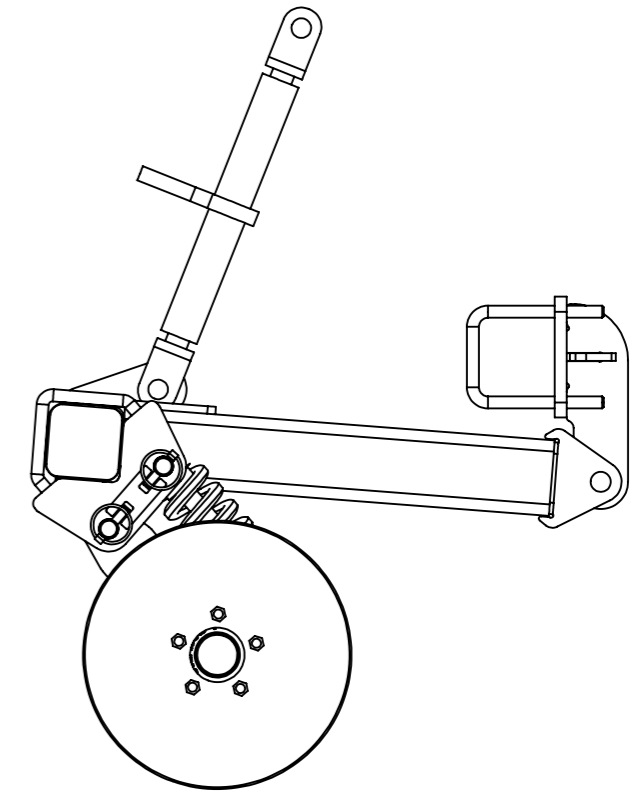
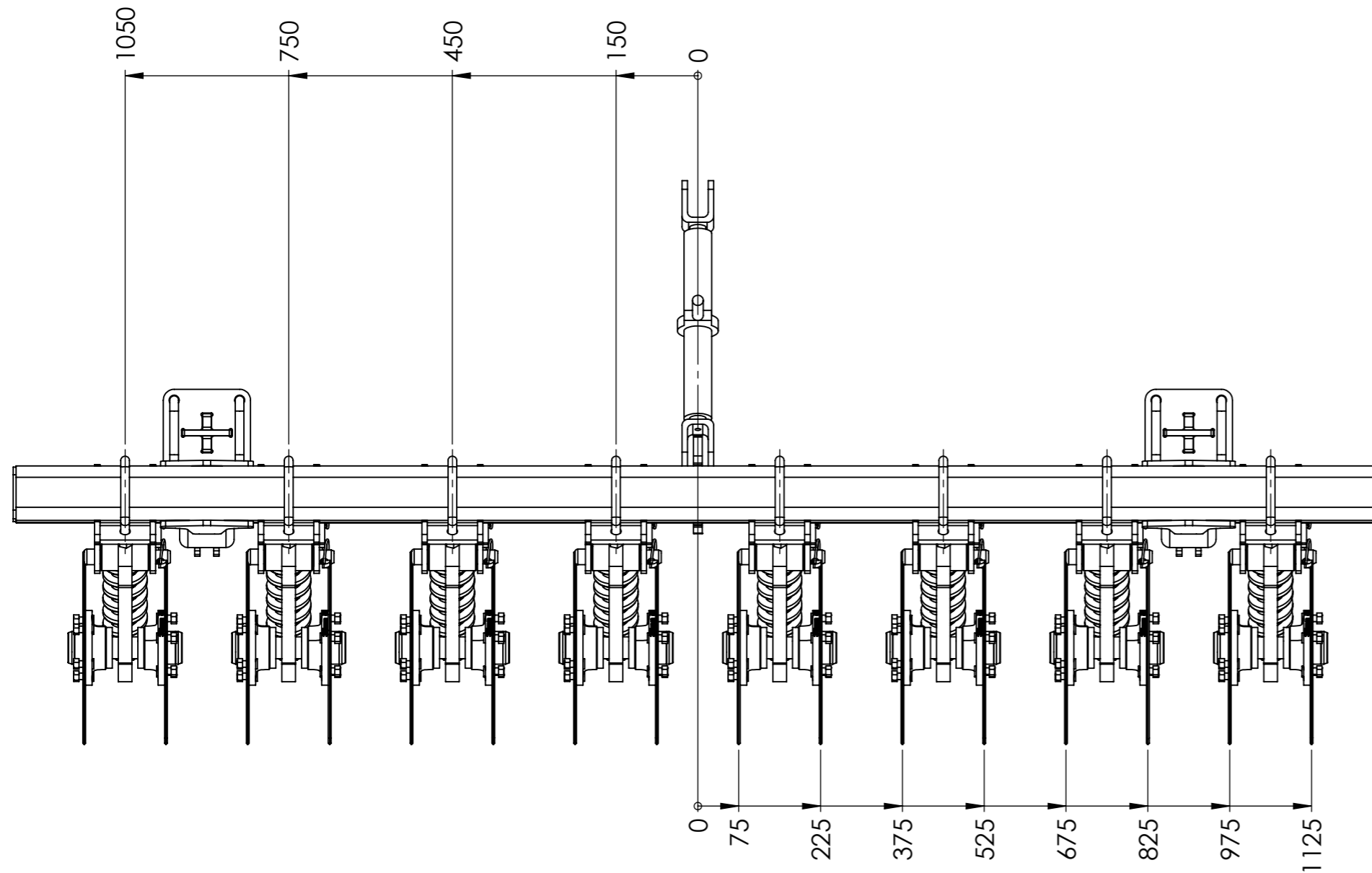
TITLE:  
**AD130 COULTER ASSEMBLY**

PART NUMBER  
**630-2007**  
 SHEET: PAGE:  
 1 OF 1 45  
 01-May-17



AD130 COULTER ASSEMBLY 16x150  
SEE 630-2007 FOR EXPLODED VIEW

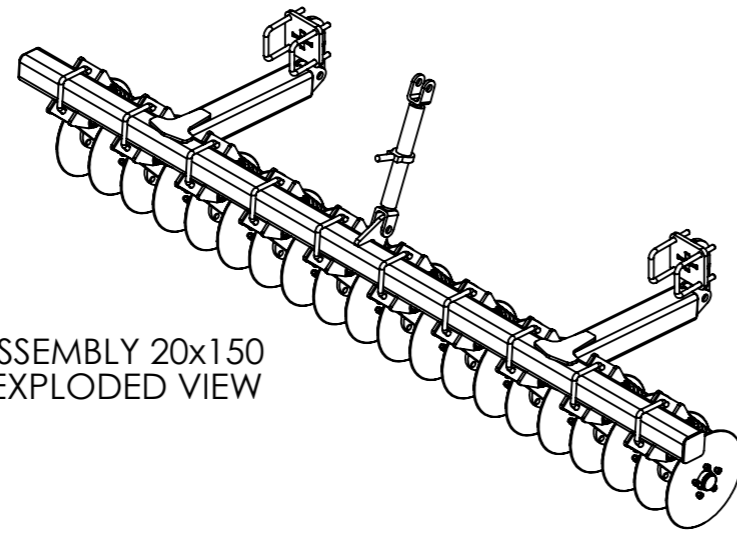
ITEM NO.	PART NUMBER	DESCRIPTION	16x150/QTY.
1	130-4101	U BOLT M16 100x100	4
2	142-4210	RATCHET RAM 514-717mm	1
3	630-3009	AD130 DISC COULTER BRACKET	2
4	644-2002	150mm DISC COULTER	8
5	630-3008	AD130 DISC COULTER FRAME	1



**AGROWFLOW**  
COPYRIGHT RESERVED  
THIS DRAWING IS THE PROPERTY AGROWFLOW PTY LTD, AND IS SUBJECT TO RETURN UPON DEMAND. IT IS SUBMITTED FOR USE ONLY IN CONNECTION WITH PROPOSALS OR CONTRACTS OF THIS ORGANISATION UPON THE EXPRESS CONDITION THAT IT IS NOT TO BE USED DIRECTLY OR INDIRECTLY IN ANY WAY DETRIMENTAL TO THE INTERESTES OF AGROWFLOW PTY LTD.

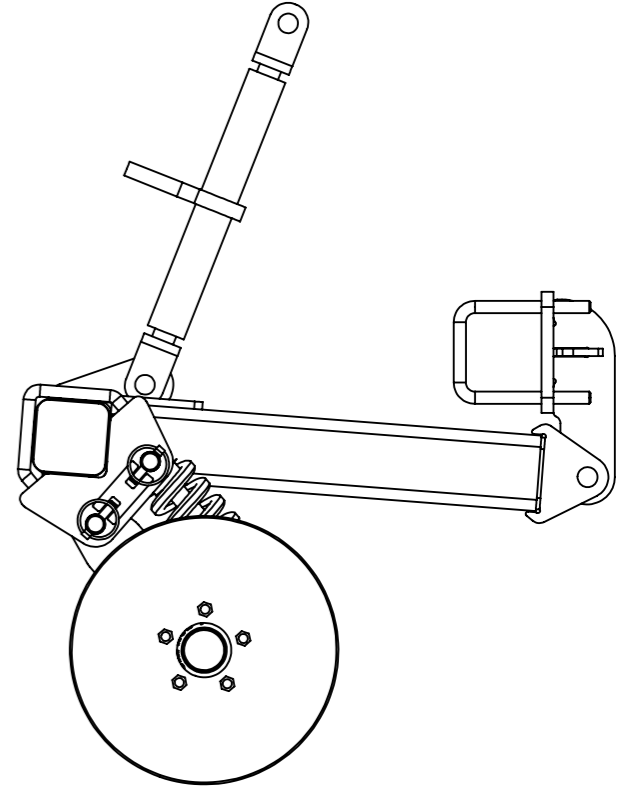
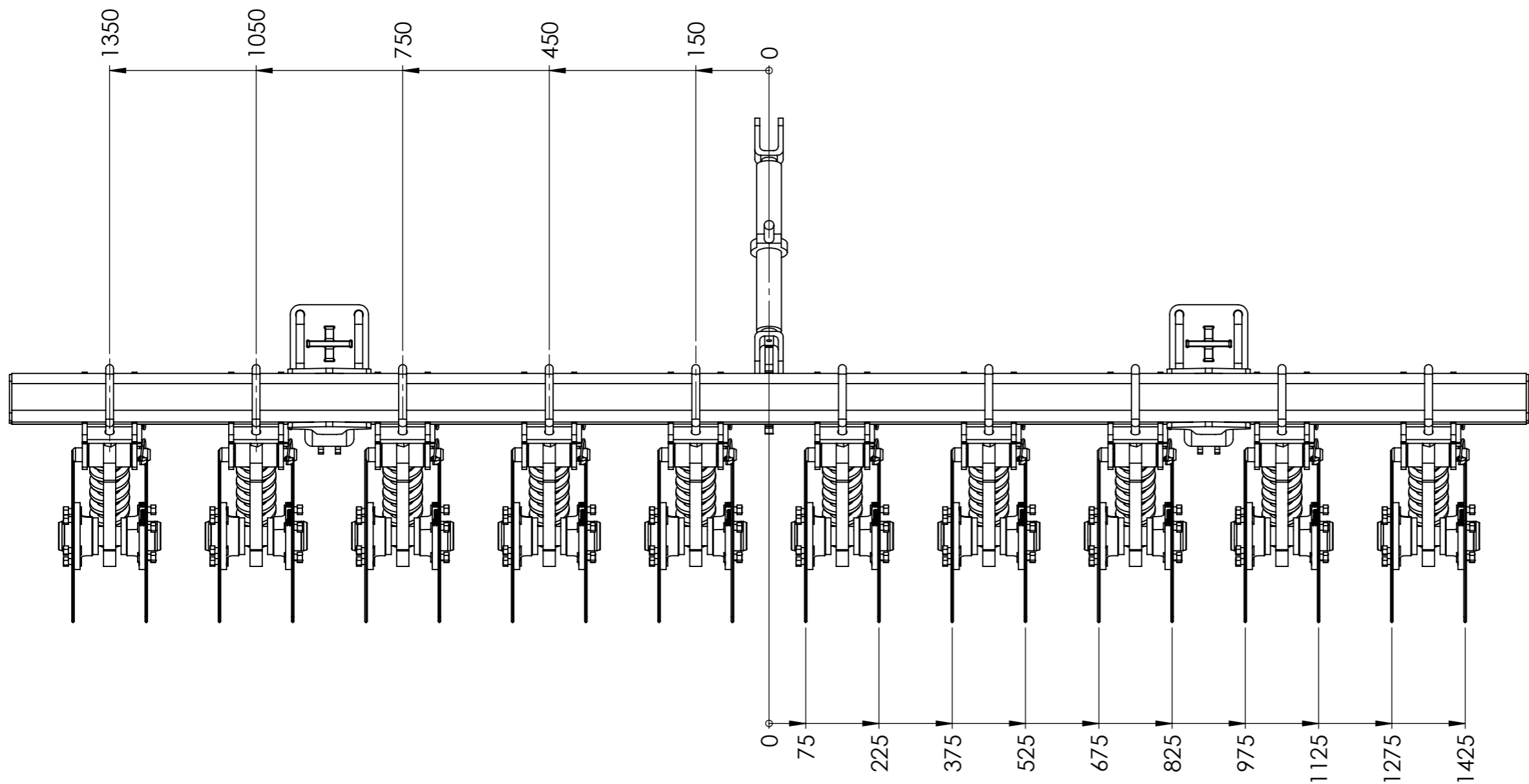
TITLE:  
**AD130 16x150  
COULTER ASSEMBLY**

PART NUMBER  
**630-2016**  
SHEET: PAGE:  
1 OF 1 46  
01-May-17

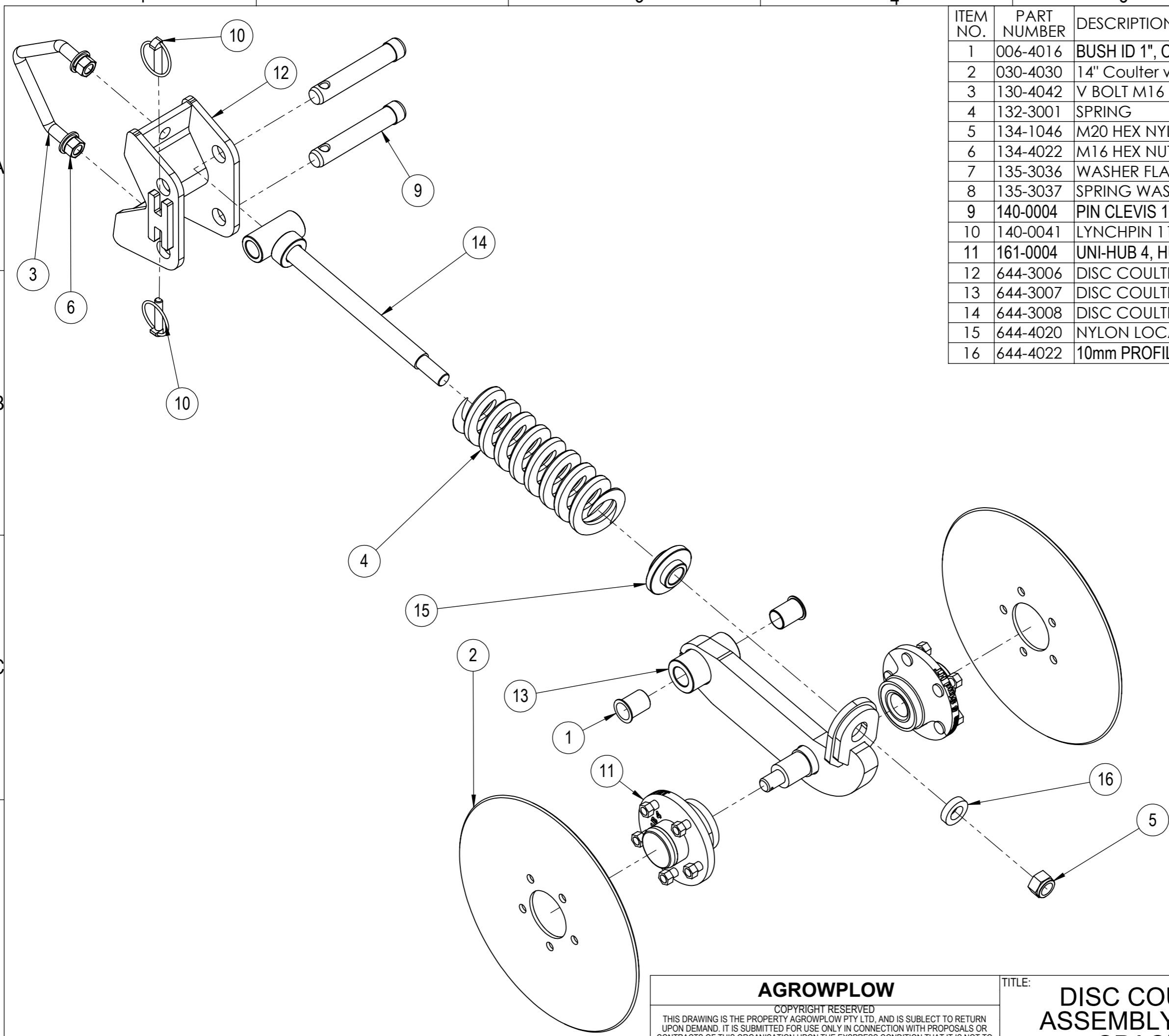


AD130 COULTER ASSEMBLY 20x150  
SEE 630-2007 FOR EXPLODED VIEW

ITEM NO.	PART NUMBER	DESCRIPTION	20x150/QTY.
1	130-4101	U BOLT M16 100x100	4
2	142-4210	RATCHET RAM 514-717mm	1
3	630-3008	AD130 DISC COULTER FRAME	1
4	630-3009	AD130 DISC COULTER BRACKET	2
5	644-2002	150mm DISC COULTER	10



<p><b>AGROWFLOW</b></p> <p><small>COPYRIGHT RESERVED</small></p> <p><small>THIS DRAWING IS THE PROPERTY AGROWFLOW PTY LTD, AND IS SUBJECT TO RETURN UPON DEMAND. IT IS SUBMITTED FOR USE ONLY IN CONNECTION WITH PROPOSALS OR CONTRACTS OF THIS ORGANISATION UPON THE EXPRESS CONDITION THAT IT IS NOT TO BE USED DIRECTLY OR INDIRECTLY IN ANY WAY DETRIMENTAL TO THE INTERESTS OF AGROWFLOW PTY LTD.</small></p>	<p>TITLE:</p> <p><b>AD130 20x150 COULTER ASSEMBLY</b></p>	<p>PART NUMBER</p> <p><b>630-2017</b></p>
	<p>01-May-17</p>	<p>SHEET: PAGE:</p> <p>1 OF 1 47</p>

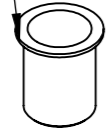


ITEM NO.	PART NUMBER	DESCRIPTION	QTY.
1	006-4016	BUSH ID 1", OD 1.1/8"	2
2	030-4030	14" Coulter with 5 studs at 108mm PCD	2
3	130-4042	V BOLT M16 100 x 100	1
4	132-3001	SPRING	1
5	134-1046	M20 HEX NYLOCK NUT ZINC PLATED	1
6	134-4022	M16 HEX NUT ZINC PLATED	2
7	135-3036	WASHER FLAT M16	2
8	135-3037	SPRING WASHER M16	2
9	140-0004	PIN CLEVIS 1" 115mm CAT 2 TOP	2
10	140-0041	LYNCHPIN 11mm 42mm	2
11	161-0004	UNI-HUB 4, HUB ASSEMBLY	2
12	644-3006	DISC COULTER CLAMP	1
13	644-3007	DISC COULTER ARM 150mm	1
14	644-3008	DISC COULTER SPRING MOUNTING BOLT ASSEMBLY	1
15	644-4020	NYLON LOCATOR	1
16	644-4022	10mm PROFILE CUT WASHER	1

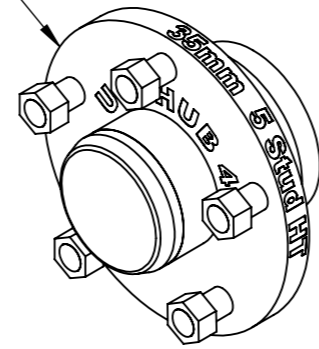
<p align="center"><b>AGROWFLOW</b></p> <p align="center">COPYRIGHT RESERVED</p> <p align="center">THIS DRAWING IS THE PROPERTY AGROWFLOW PTY LTD, AND IS SUBJECT TO RETURN UPON DEMAND. IT IS SUBMITTED FOR USE ONLY IN CONNECTION WITH PROPOSALS OR CONTRACTS OF THIS ORGANISATION UPON THE EXPRESS CONDITION THAT IT IS NOT TO BE USED DIRECTLY OR INDIRECTLY IN ANY WAY DETRIMENTAL TO THE INTERESTS OF AGROWFLOW PTY LTD.</p>	<p>TITLE:</p> <p align="center"><b>DISC COULTER ASSEMBLY 150mm SPACING</b></p>	<p>PART NUMBER</p> <p align="center"><b>644-2002</b></p>
	<p>01-May-17</p>	<p>SHEET: PAGE:</p> <p align="center">1 OF 2 48</p>



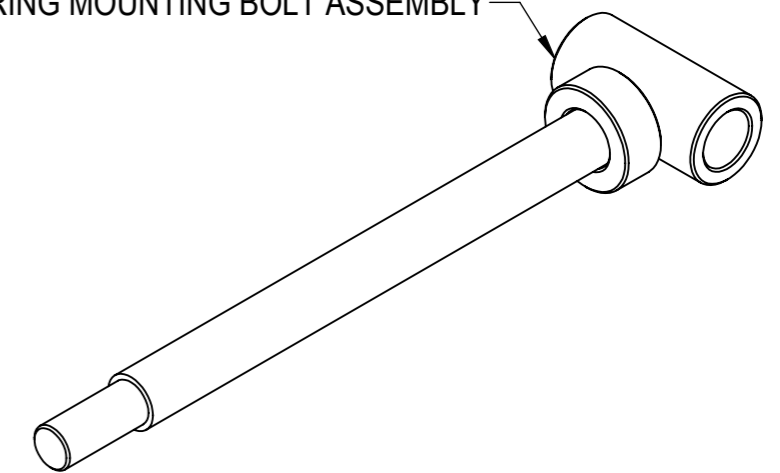
006-4016  
BUSH ID 1", OD 1.1/8"



161-0004  
UNI-HUB 4, HUB ASSEMBLY

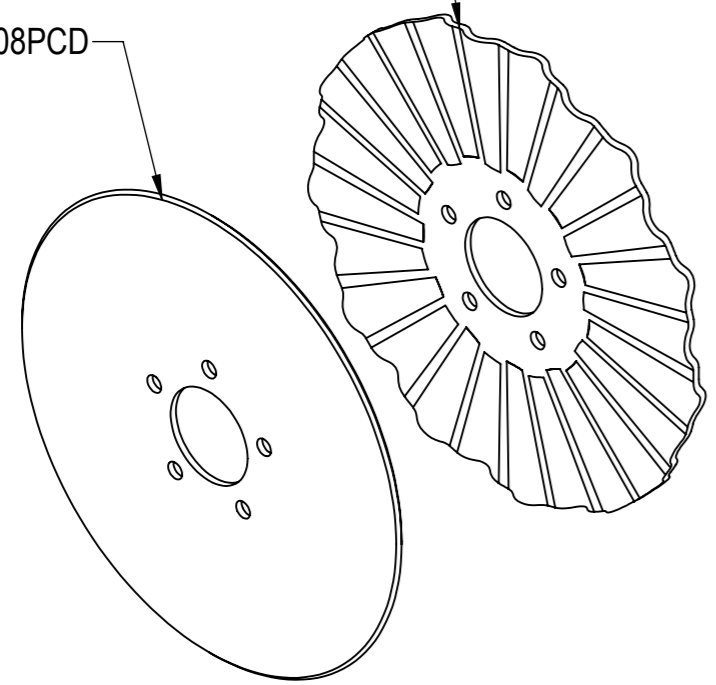


644-3008  
DISC COULTER SPRING MOUNTING BOLT ASSEMBLY

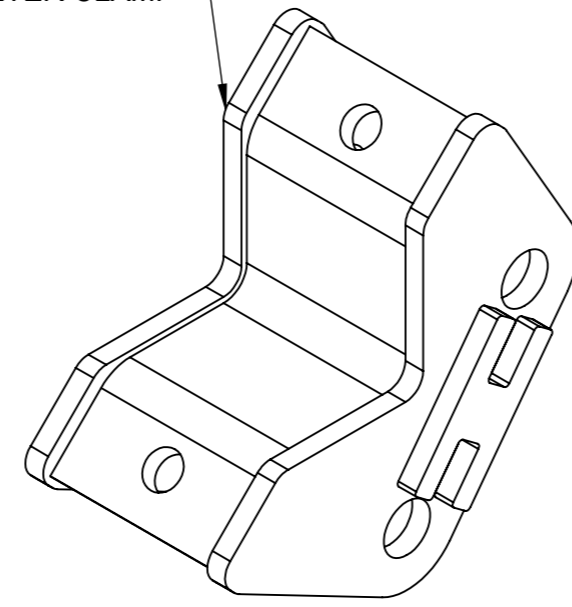


(OPTION) 030-4031  
14" Turbo Coulters 5x108PCD

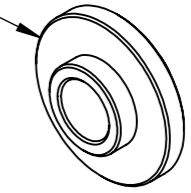
030-4030  
14" Coulters 5x108PCD



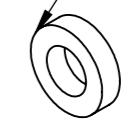
644-3006  
DISC COULTER CLAMP



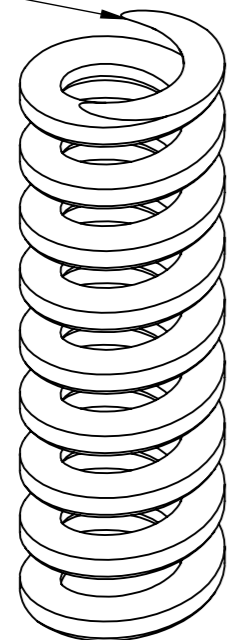
644-4020  
NYLON LOCATOR



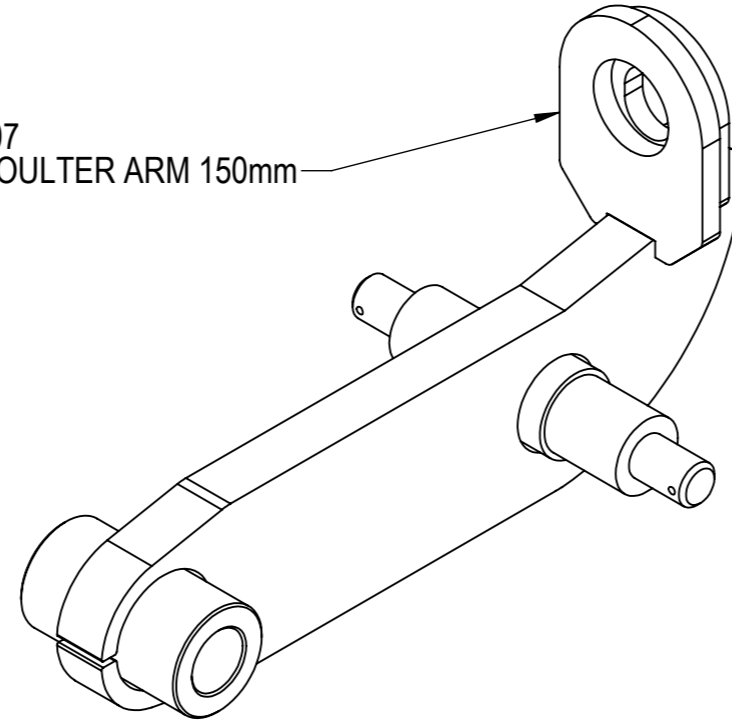
644-4022  
10mm PROFILE CUT WASHER



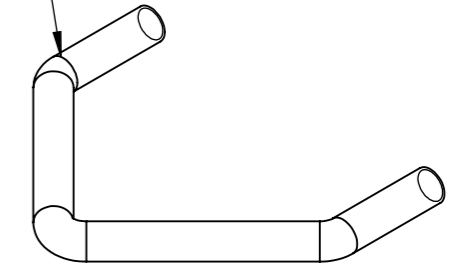
132-3001  
SPRING



644-3007  
DISC COULTER ARM 150mm



130-4042  
V BOLT M16 100 x 100

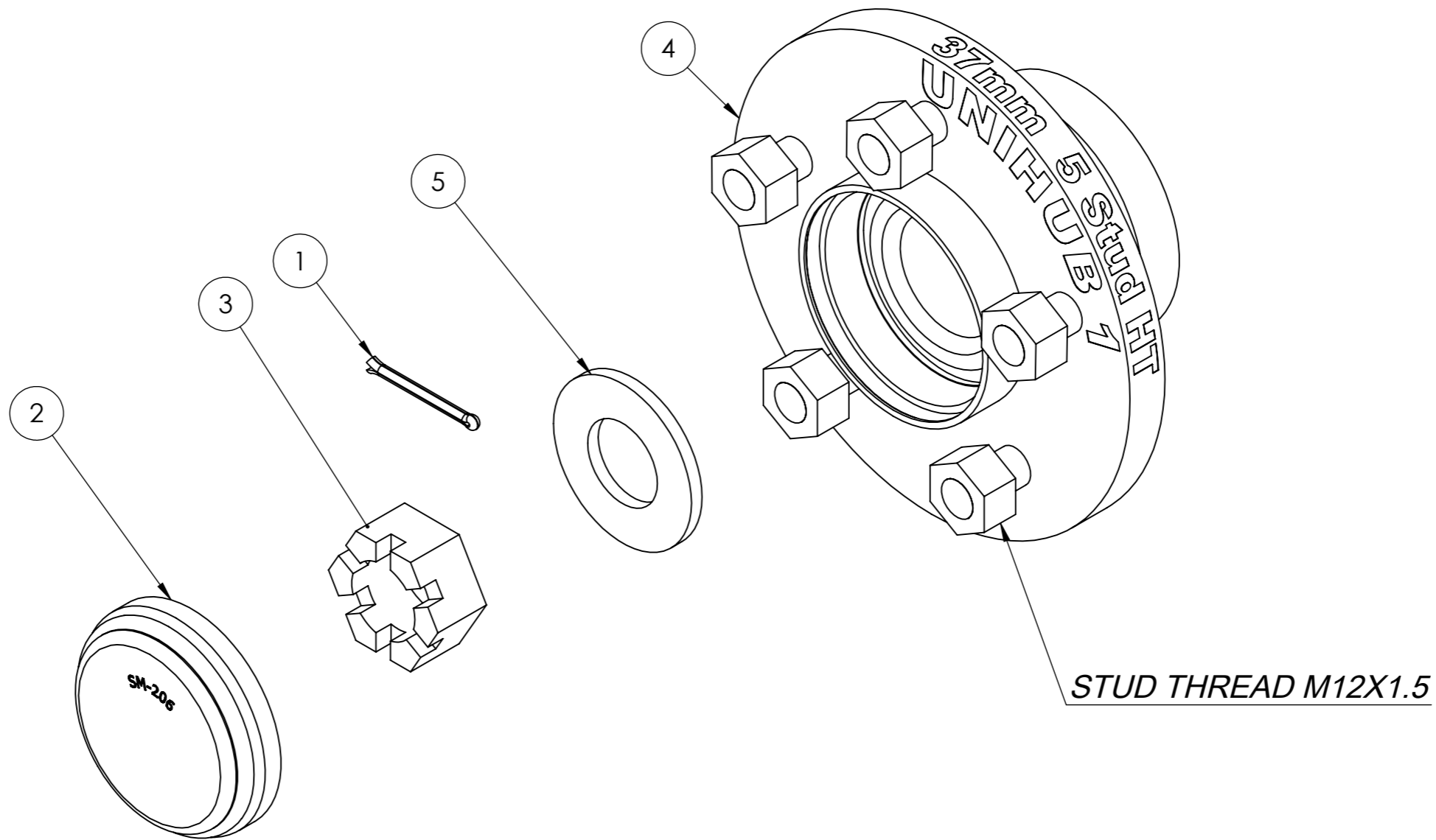


**AGROWFLOW**  
COPYRIGHT RESERVED  
THIS DRAWING IS THE PROPERTY AGROWFLOW PTY LTD, AND IS SUBJECT TO RETURN UPON DEMAND. IT IS SUBMITTED FOR USE ONLY IN CONNECTION WITH PROPOSALS OR CONTRACTS OF THIS ORGANISATION UPON THE EXPRESS CONDITION THAT IT IS NOT TO BE USED DIRECTLY OR INDIRECTLY IN ANY WAY DETRIMENTAL TO THE INTERESTES OF AGROWFLOW PTY LTD.

TITLE:  
**DISC COULTER ASSEMBLY 150mm SPACING**  
01-May-17

PART NUMBER  
**644-2002**  
SHEET: PAGE:  
2 OF 2 49

ITEM NO.	PART NUMBER	DESCRIPTION	QTY.
1	139-4202	PIN SPLIT 3.2mm x 32mm	1
2	161-0112	UNI HUB 3 HUB CAP	1
3	161-0113	M24 CASTLE NUT FINE THREAD 2	1
4	161-0120	UNI-HUB 1 37mm BEARING HUB	1
5	161-0121	UNI-HUB 1 BEARING WASHER	1



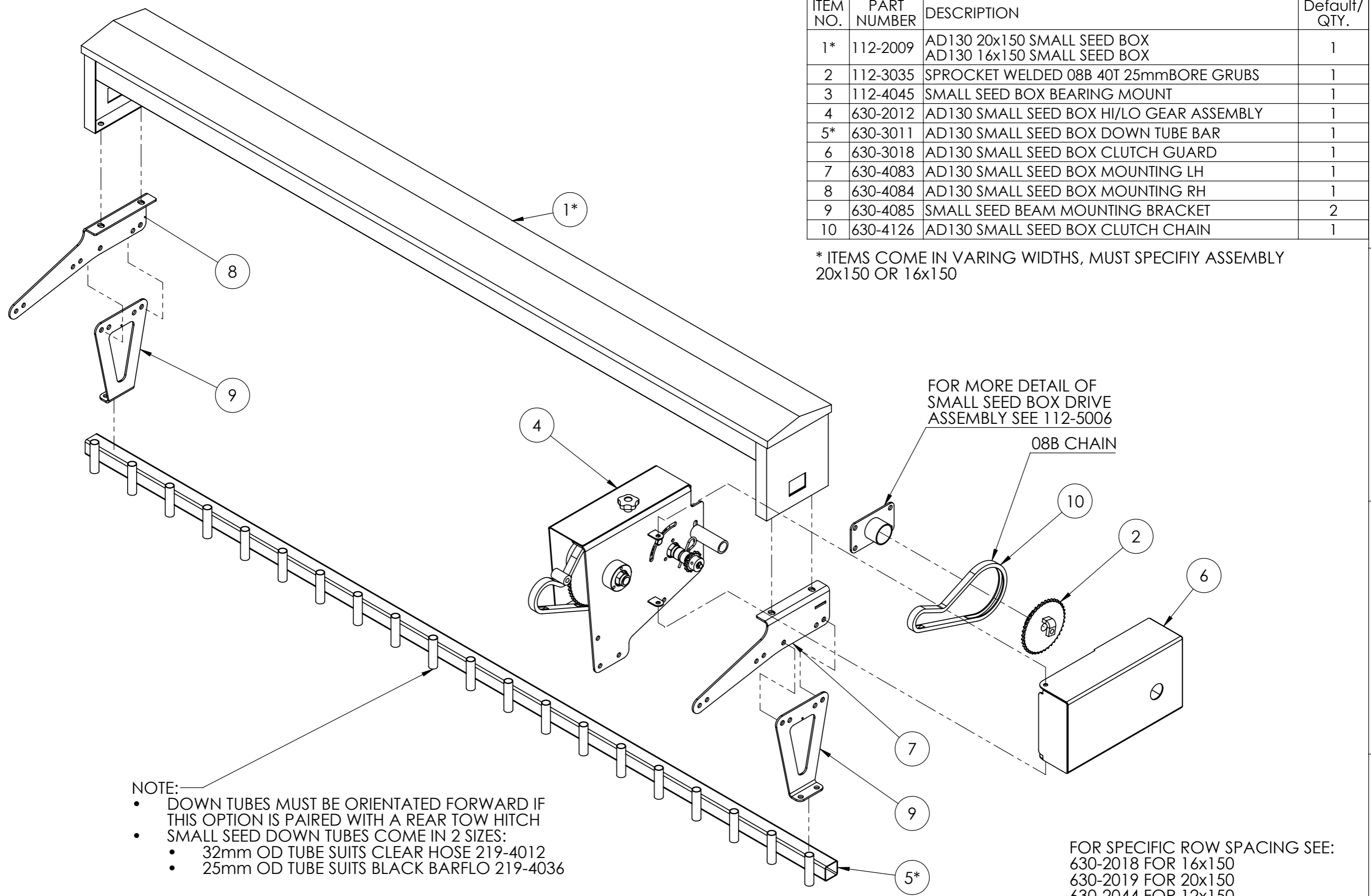
**AGROWFLOW**  
 COPYRIGHT RESERVED  
 THIS DRAWING IS THE PROPERTY AGROWFLOW PTY LTD, AND IS SUBJECT TO RETURN UPON DEMAND. IT IS SUBMITTED FOR USE ONLY IN CONNECTION WITH PROPOSALS OR CONTRACTS OF THIS ORGANISATION UPON THE EXPRESS CONDITION THAT IT IS NOT TO BE USED DIRECTLY OR INDIRECTLY IN ANY WAY DETRIMENTAL TO THE INTERESTES OF AGROWFLOW PTY LTD.

TITLE:  
**UNI-HUB 1, Assembly  
 (Hub, Cap, Washer, Nut,  
 Split pin)**  
 01-May-17

PART NUMBER  
**161-0001**  
 SHEET: PAGE:  
 1 OF 1 50

ITEM NO.	PART NUMBER	DESCRIPTION	Default/ QTY.
1*	112-2009	AD130 20x150 SMALL SEED BOX AD130 16x150 SMALL SEED BOX	1
2	112-3035	SPROCKET WELDED 08B 40T 25mmBORE GRUBS	1
3	112-4045	SMALL SEED BOX BEARING MOUNT	1
4	630-2012	AD130 SMALL SEED BOX HI/LO GEAR ASSEMBLY	1
5*	630-3011	AD130 SMALL SEED BOX DOWN TUBE BAR	1
6	630-3018	AD130 SMALL SEED BOX CLUTCH GUARD	1
7	630-4083	AD130 SMALL SEED BOX MOUNTING LH	1
8	630-4084	AD130 SMALL SEED BOX MOUNTING RH	1
9	630-4085	SMALL SEED BEAM MOUNTING BRACKET	2
10	630-4126	AD130 SMALL SEED BOX CLUTCH CHAIN	1

\* ITEMS COME IN VARIING WIDTHS, MUST SPECIFY ASSEMBLY 20x150 OR 16x150



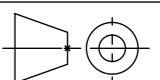
NOTE:

- DOWN TUBES MUST BE ORIENTATED FORWARD IF THIS OPTION IS PAIRED WITH A REAR TOW HITCH
- SMALL SEED DOWN TUBES COME IN 2 SIZES:
  - 32mm OD TUBE SUITS CLEAR HOSE 219-4012
  - 25mm OD TUBE SUITS BLACK BARFLO 219-4036

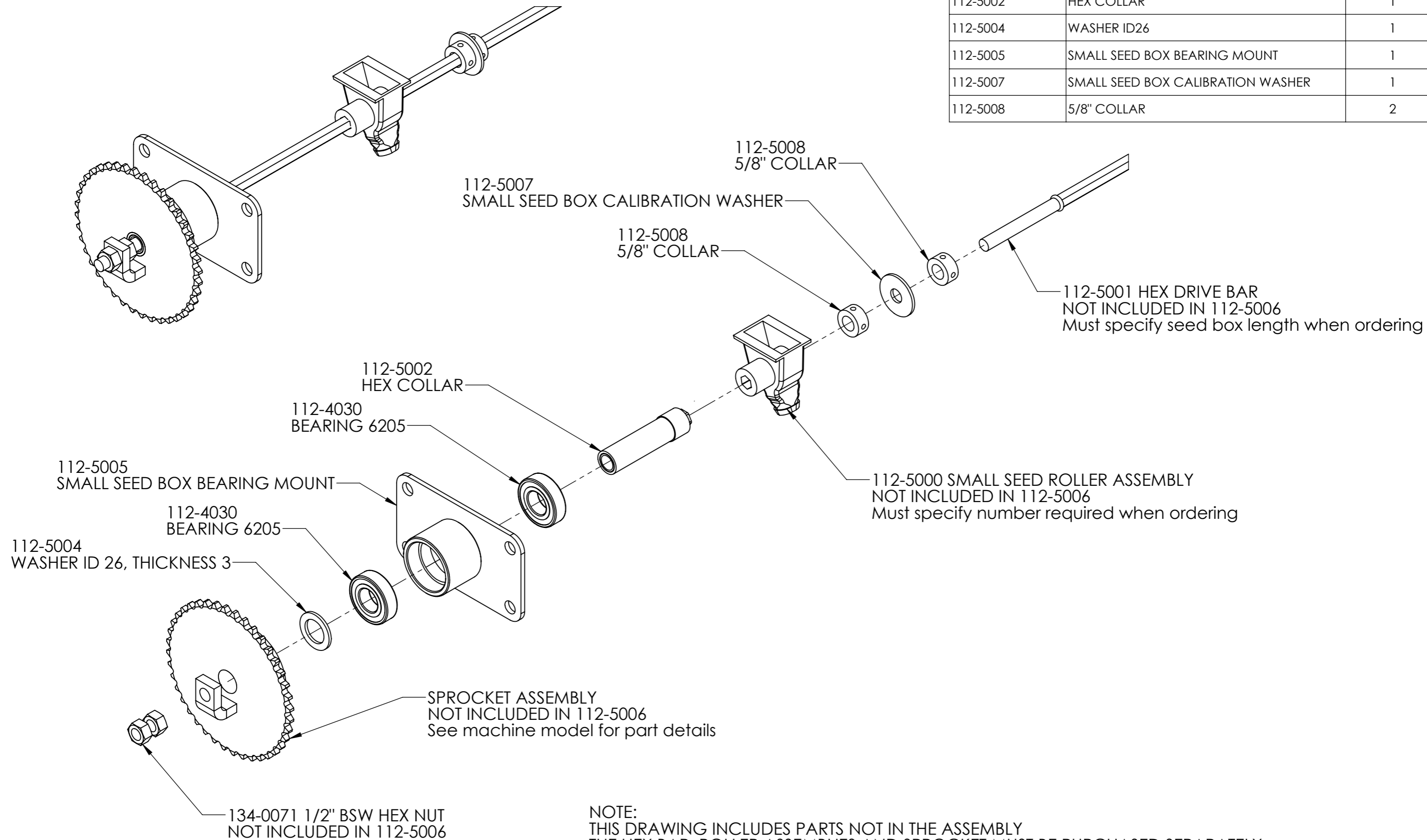
FOR MORE DETAIL OF SMALL SEED BOX DRIVE ASSEMBLY SEE 112-5006

FOR SPECIFIC ROW SPACING SEE:  
 630-2018 FOR 16x150  
 630-2019 FOR 20x150  
 630-2044 FOR 12x150

NOTE:  
 SMALL SEED BOXS MADE PRIOR TO Aug 2019 WERE FITTED WITH CLEAR TUBE.

<b>AGROWFLOW</b> <small>COPYRIGHT RESERVED        THIS DRAWING IS THE PROPERTY AGROWFLOW PTY LTD, AND IS SUBJECT TO RETURN UPON DEMAND. IT IS SUBMITTED FOR USE ONLY IN CONNECTION WITH PROPOSALS OR CONTRACTS OF THIS ORGANISATION UPON THE EXSPRESS CONDITION THAT IT IS NOT TO BE USED DIRECTLY OR INDIRECTLY IN ANY WAY DETRIMENTAL TO THE INTERESTES OF AGROWFLOW PTY LTD.</small>	TITLE: <b>AD130 SMALL SEED BOX OPTION</b>	PART NUMBER <b>630-2011</b>
	5/02/2020	 SHEET: PAGE: 1 OF 1 51

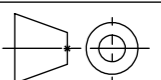
PART NUMBER	DESCRIPTION	Default/QTY.
112-4030	BEARING 25ID 52OD	2
112-5002	HEX COLLAR	1
112-5004	WASHER ID26	1
112-5005	SMALL SEED BOX BEARING MOUNT	1
112-5007	SMALL SEED BOX CALIBRATION WASHER	1
112-5008	5/8" COLLAR	2

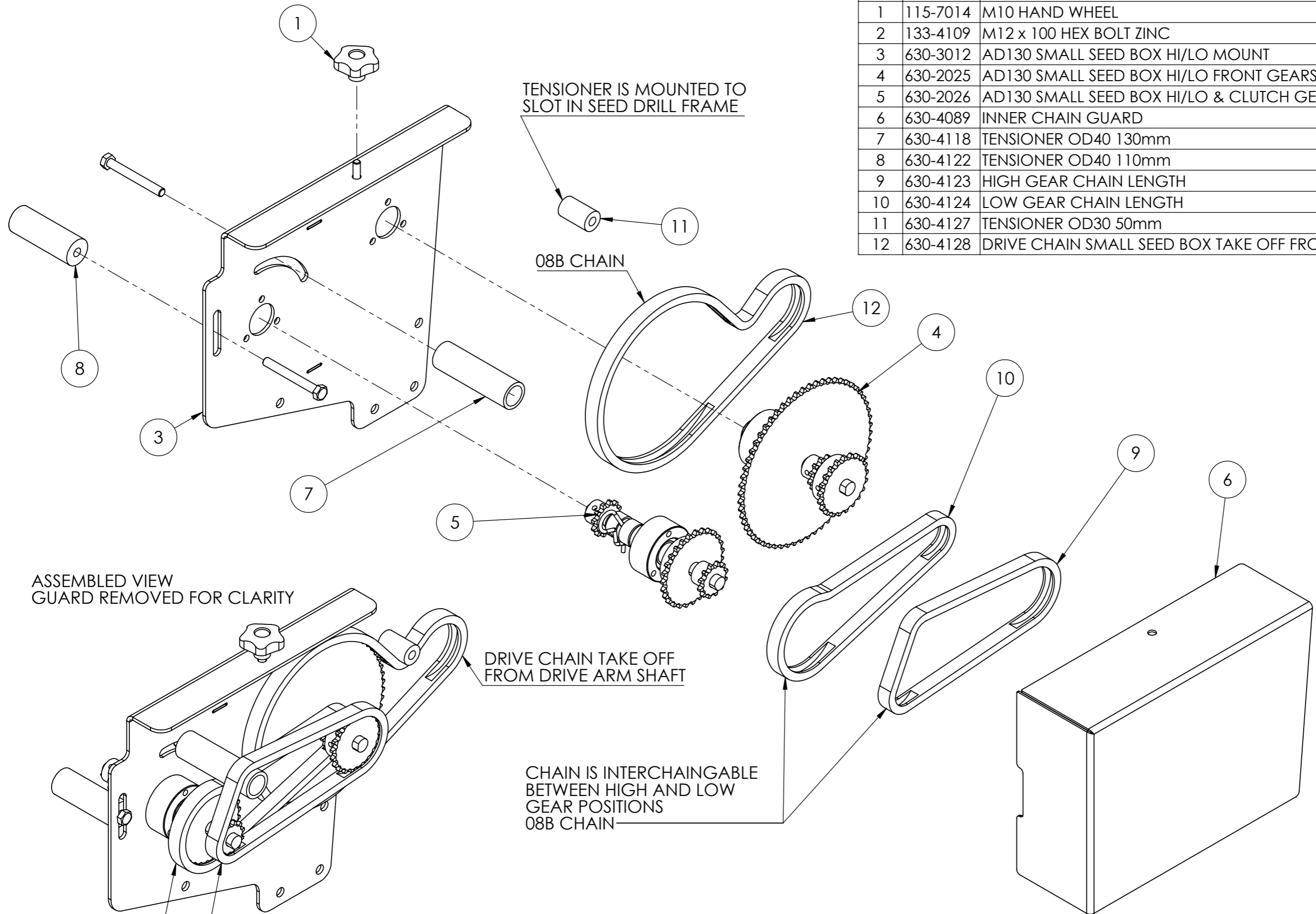


NOTE:  
THIS DRAWING INCLUDES PARTS NOT IN THE ASSEMBLY  
THE HEX BAR, ROLLER ASSEMBLIES AND SPROCKET MUST BE PURCHASED SEPARATELY.

**AGROWFLOW**  
COPYRIGHT RESERVED  
 THIS DRAWING IS THE PROPERTY AGROWFLOW PTY LTD, AND IS SUBJECT TO RETURN UPON DEMAND. IT IS SUBMITTED FOR USE ONLY IN CONNECTION WITH PROPOSALS OR CONTRACTS OF THIS ORGANISATION UPON THE EXPRESS CONDITION THAT IT IS NOT TO BE USED DIRECTLY OR INDIRECTLY IN ANY WAY DETRIMENTAL TO THE INTERESTES OF AGROWFLOW PTY LTD.

TITLE:  
**SMALL SEED BOX BEARING MOUNT ASSEMBLY**  
 29-Jan-18

PART NUMBER  
**112-5006**  
  
 SHEET: 1 OF 1 PAGE: 52



ITEM NO.	PART NUMBER	DESCRIPTION	QTY.
1	115-7014	M10 HAND WHEEL	1
2	133-4109	M12 x 100 HEX BOLT ZINC	2
3	630-3012	AD130 SMALL SEED BOX HI/LO MOUNT	1
4	630-2025	AD130 SMALL SEED BOX HI/LO FRONT GEARS	1
5	630-2026	AD130 SMALL SEED BOX HI/LO & CLUTCH GEARS	1
6	630-4089	INNER CHAIN GUARD	1
7	630-4118	TENSIONER OD40 130mm	1
8	630-4122	TENSIONER OD40 110mm	1
9	630-4123	HIGH GEAR CHAIN LENGTH	1
10	630-4124	LOW GEAR CHAIN LENGTH	1
11	630-4127	TENSIONER OD30 50mm	1
12	630-4128	DRIVE CHAIN SMALL SEED BOX TAKE OFF FROM VARIBOX	1

ASSEMBLED VIEW  
GUARD REMOVED FOR CLARITY

DRIVE CHAIN TAKE OFF  
FROM DRIVE ARM SHAFT

CHAIN IS INTERCHANGABLE  
BETWEEN HIGH AND LOW  
GEAR POSITIONS  
08B CHAIN

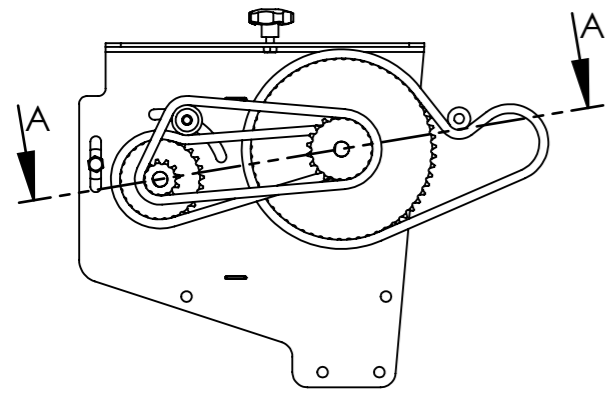
LOW GEAR POSITION  
HIGH GEAR POSITION

DO NOT ASSEMBLE WITH A  
CHAIN IN BOTH HIGH AND  
LOW GEAR AT THE SAME TIME

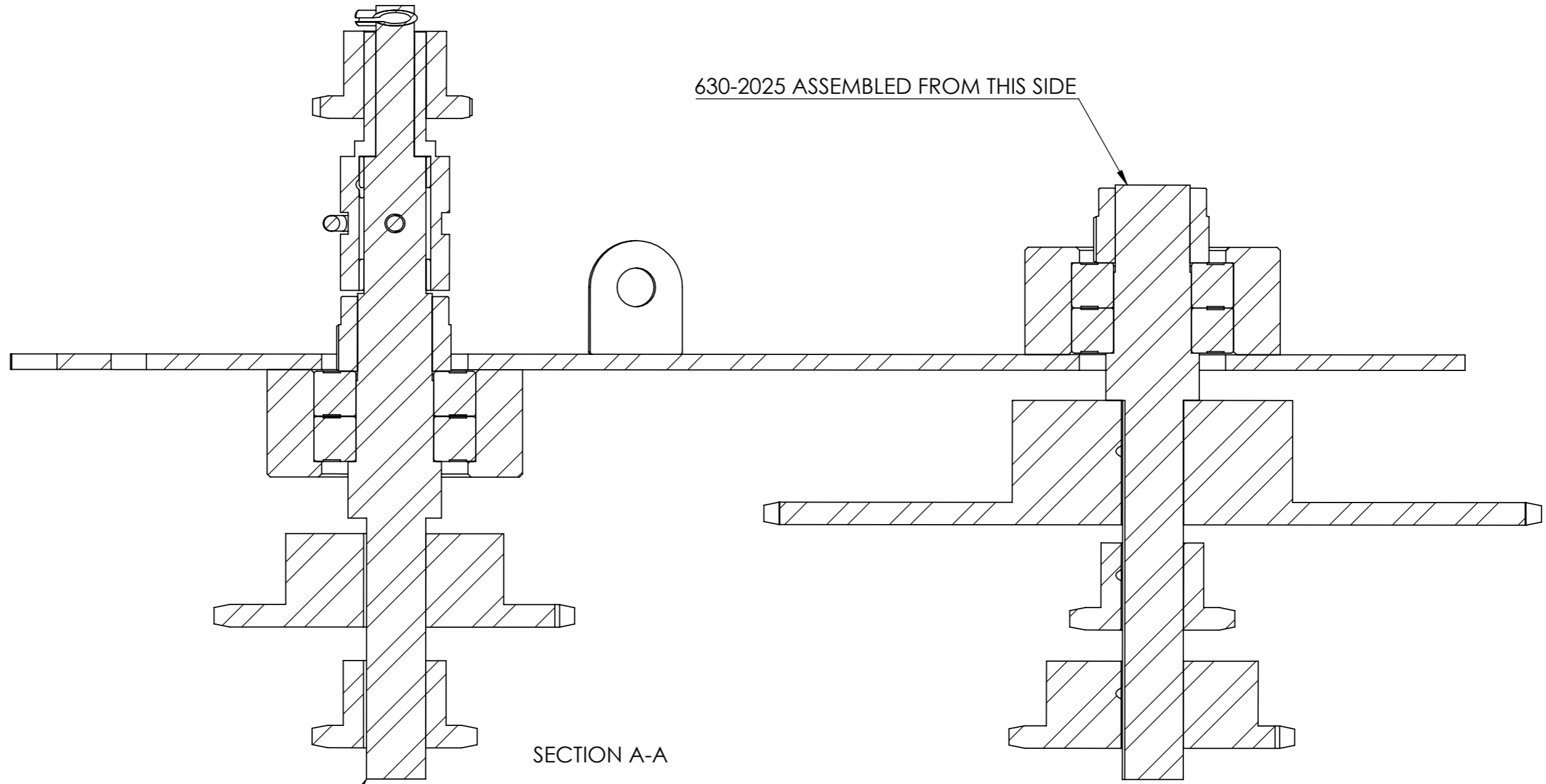
**AGROWFLOW**  
COPYRIGHT RESERVED  
 THIS DRAWING IS THE PROPERTY AGROWFLOW PTY LTD, AND IS SUBJECT TO RETURN  
 UPON DEMAND. IT IS SUBMITTED FOR USE ONLY IN CONNECTION WITH PROPOSALS OR  
 CONTRACTS OF THIS ORGANISATION UPON THE EXPRESS CONDITION THAT IT IS NOT TO  
 BE USED DIRECTLY OR INDIRECTLY IN ANY WAY DETRIMENTAL TO THE INTERESTES OF  
 AGROWFLOW PTY LTD.

TITLE:  
**AD130 SMALL SEED  
 BOX HI/LO GEAR  
 ASSEMBLY**  
 01-May-17

PART NUMBER  
**630-2012**  
 SHEET: PAGE:  
 1 OF 2 53



ALIGNMENT OF PARTS DETAIL  
 GUARDS AND CHAINS REMOVED FOR CLARITY



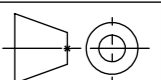
630-2026 ASSEMBLED FROM THIS SIDE

630-2025 ASSEMBLED FROM THIS SIDE

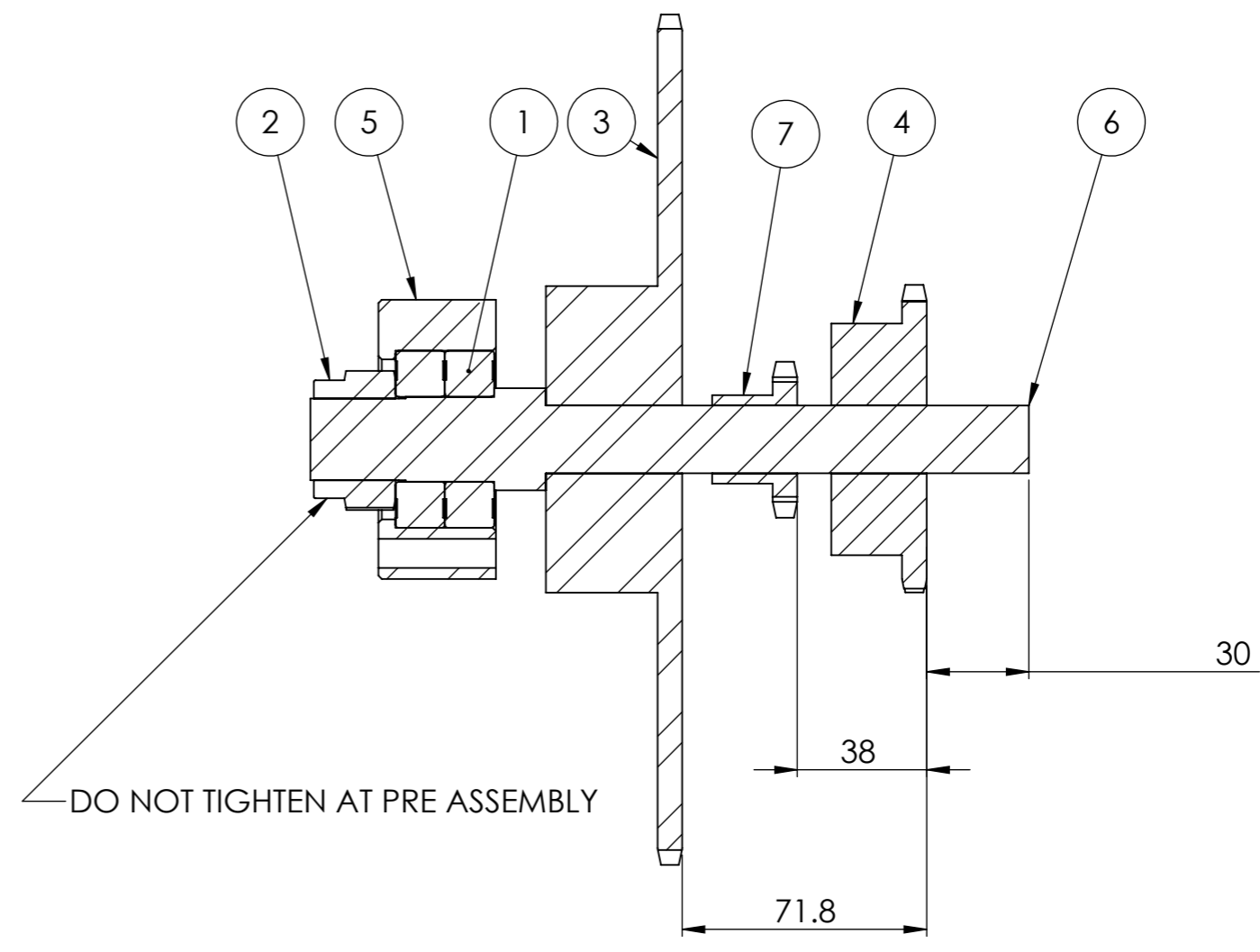
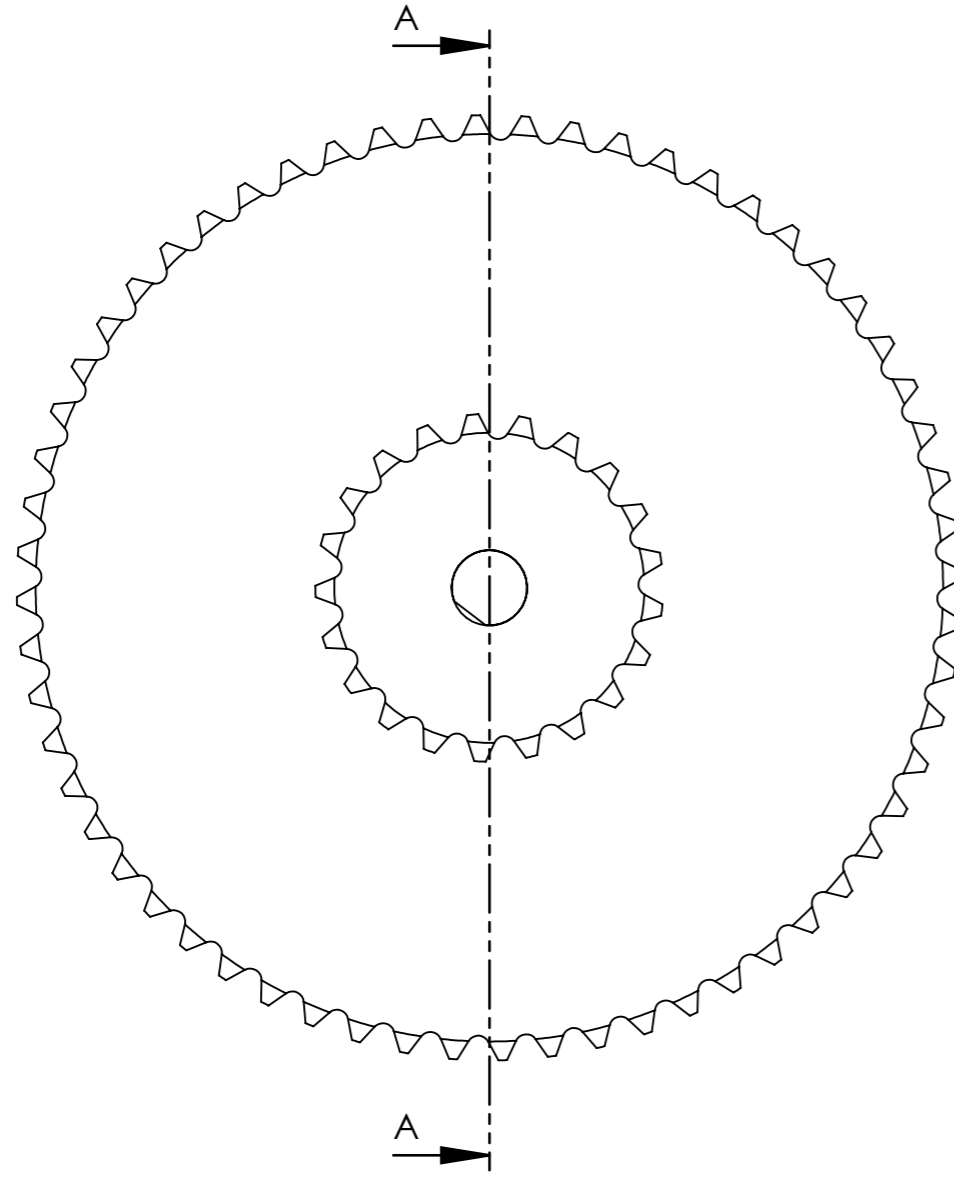
SECTION A-A

**AGROWFLOW**  
 COPYRIGHT RESERVED  
 THIS DRAWING IS THE PROPERTY AGROWFLOW PTY LTD, AND IS SUBJECT TO RETURN UPON DEMAND. IT IS SUBMITTED FOR USE ONLY IN CONNECTION WITH PROPOSALS OR CONTRACTS OF THIS ORGANISATION UPON THE EXPRESS CONDITION THAT IT IS NOT TO BE USED DIRECTLY OR INDIRECTLY IN ANY WAY DETRIMENTAL TO THE INTERESTES OF AGROWFLOW PTY LTD.

TITLE: **AD130 SMALL SEED BOX HI/LO GEAR ASSEMBLY**  
 01-May-17

PART NUMBER **630-2012**  
  
 SHEET: 2 OF 2 PAGE: 54

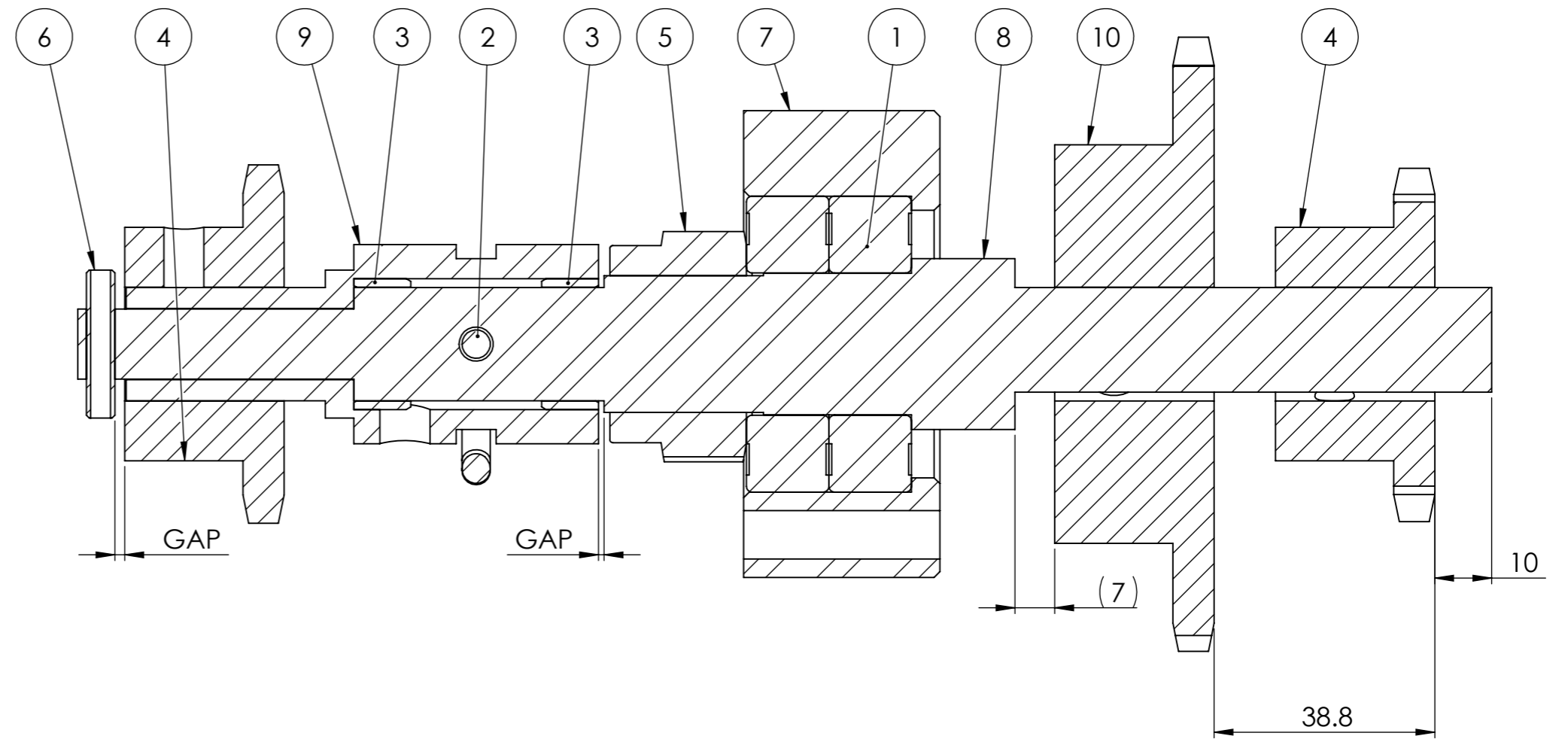
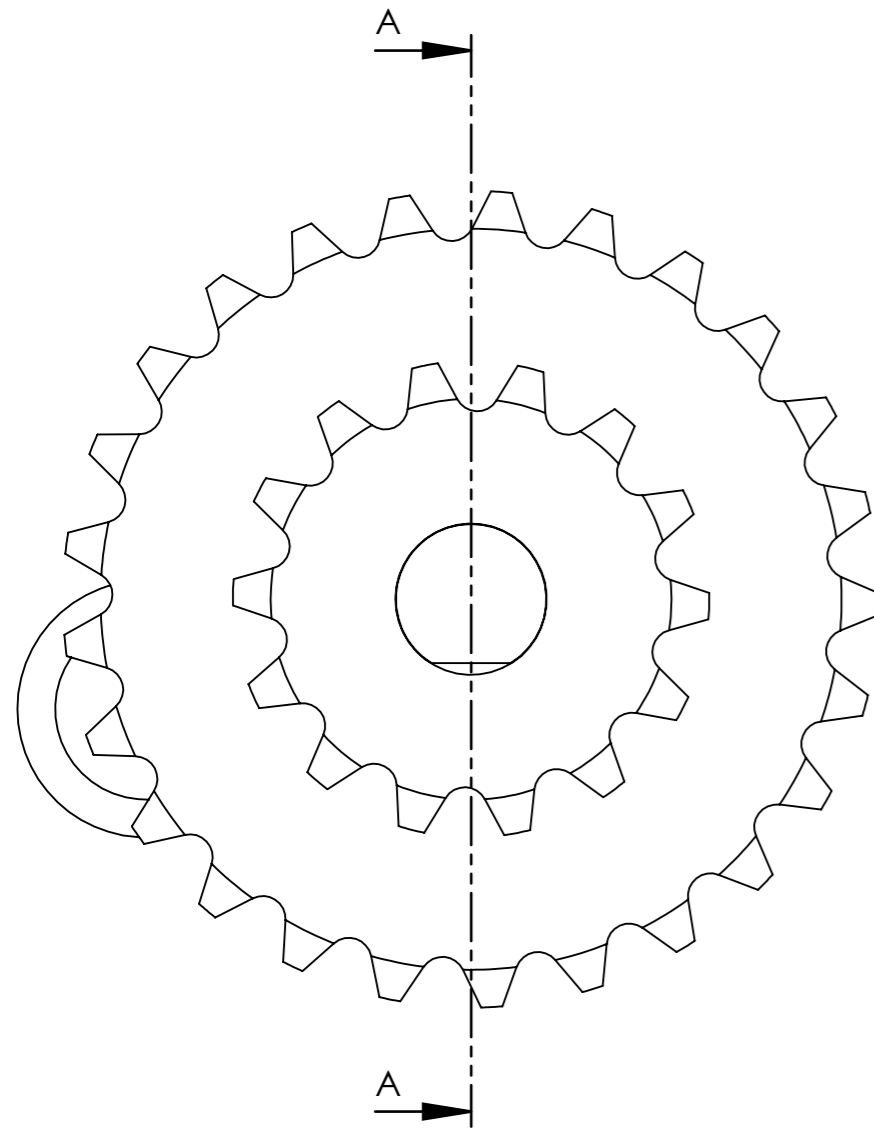
ITEM NO.	PART NUMBER	DESCRIPTION	StockSize	Length	QTY.
1	112-4030	BEARING 25ID 52OD	PART		2
2	134-4042	M24 HEX NYLOCK NUT GR 8.8 ZINC PLATED	NUT HEX		1
3	630-4113	SPROCKET SIMPLEX 08B 60T 20mmBORE GRUB	PART		1
4	115-4020	SPROCKET SIMPLEX 08B 21T 20mmBORE	PART		1
5	630-4116	BEARING HOUSING	SHAFT 95	29.50 +2	1
6	630-4117	AD130 SMALL SEED BOX HI/LO FRONT SHAFT	SHAFT 30	211 +2	1
7	640-4200	SPROCKET SIMPLEX 08B 10T 20mmBORE	PART		1



SECTION A-A

<p><b>AGROWFLOW</b></p> <p><small>COPYRIGHT RESERVED</small></p> <p><small>THIS DRAWING IS THE PROPERTY AGROWFLOW PTY LTD, AND IS SUBJECT TO RETURN UPON DEMAND. IT IS SUBMITTED FOR USE ONLY IN CONNECTION WITH PROPOSALS OR CONTRACTS OF THIS ORGANISATION UPON THE EXPRESS CONDITION THAT IT IS NOT TO BE USED DIRECTLY OR INDIRECTLY IN ANY WAY DETRIMENTAL TO THE INTERESTES OF AGROWFLOW PTY LTD.</small></p>	<p>TITLE:</p> <p><b>AD130 SMALL SEED BOX HI/LO FRONT ASSEMBLY</b></p> <p>21-Aug-17</p>	<p>PART NUMBER</p> <p><b>630-2025</b></p>
	<p>SHEET: PAGE:</p> <p>1 OF 1 55</p>	

ITEM NO.	PART NUMBER	DESCRIPTION	StockSize	Length	QTY.
1	112-4030	BEARING 25ID 52OD	PART		2
2	112-4033	5mm R CLIP	R clip		1
3	112-4037	BUSH 20mm	IGUS		2
4	115-4021	SPROCKET SIMPLEX 08B 14T 20mmBORE	PART		2
5	134-4042	M24 HEX NYLOCK NUT GR 8.8 ZINC PLATED	NUT HEX		1
6	140-4072	ROLL PIN 5mm X 26mm			1
7	630-4116	BEARING HOUSING 52mm ID	SHAFT 95	29.50 +2	1
8	630-4120	AD130 SMALL SEED BOX HI/LO REAR SHAFT	SHAFT 30	248.50 +2	1
9	630-4121	AD130 SMALL SEED BOX CLUTCH	SHAFT 35	83 +2	1
10	645-4018	SPROCKET SIMPLEX 08B 25T 20mmBORE	PART		1

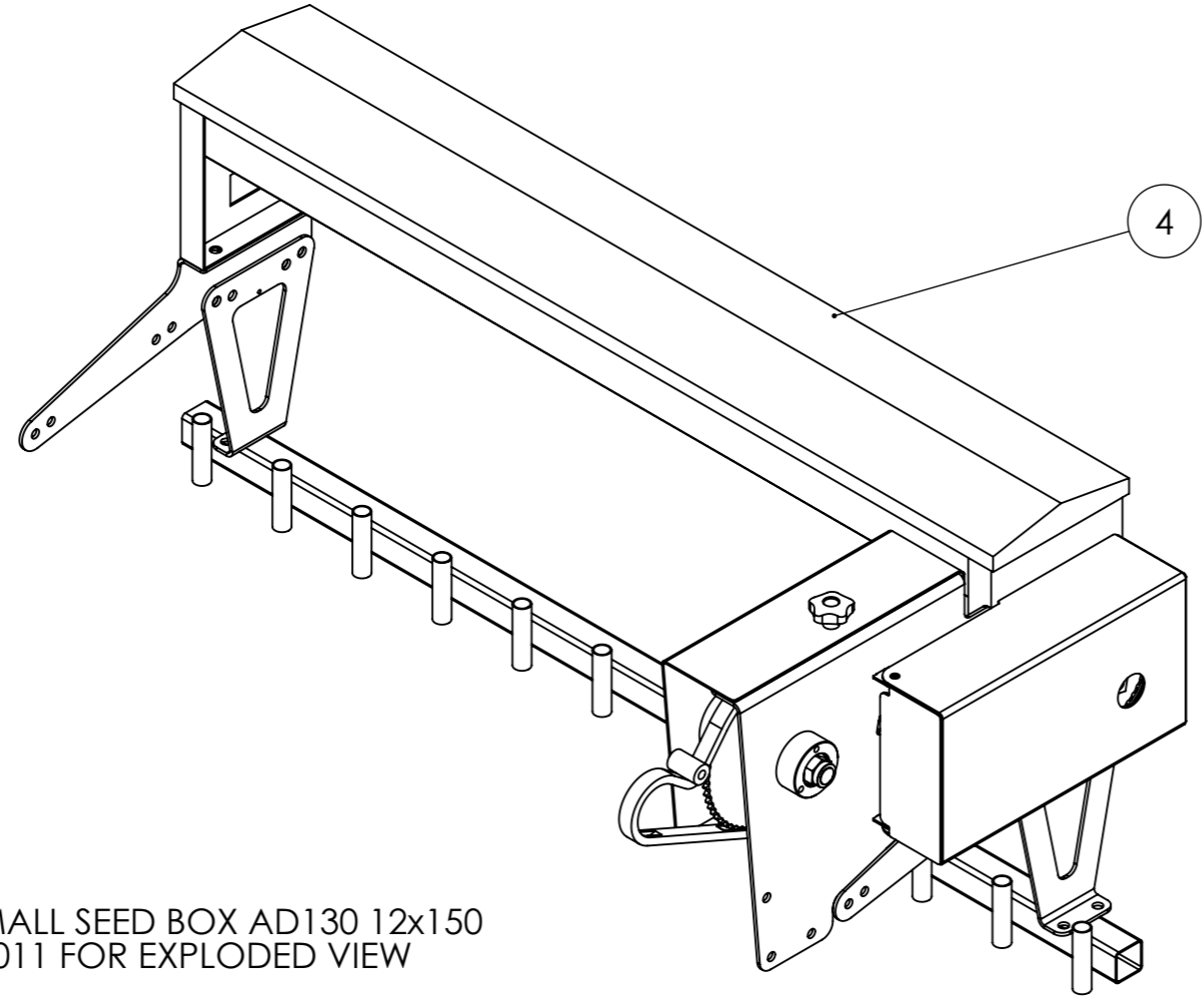


SECTION A-A

<p><b>AGROWFLOW</b></p> <p><small>COPYRIGHT RESERVED</small></p> <p><small>THIS DRAWING IS THE PROPERTY AGROWFLOW PTY LTD, AND IS SUBJECT TO RETURN UPON DEMAND. IT IS SUBMITTED FOR USE ONLY IN CONNECTION WITH PROPOSALS OR CONTRACTS OF THIS ORGANISATION UPON THE EXPRESS CONDITION THAT IT IS NOT TO BE USED DIRECTLY OR INDIRECTLY IN ANY WAY DETRIMENTAL TO THE INTERESTS OF AGROWFLOW PTY LTD.</small></p>	<p>TITLE:</p> <p><b>AD130 SMALL SEED BOX HI/LO REAR ASSEMBLY</b></p> <p>21-Aug-17</p>	<p>PART NUMBER</p> <p><b>630-2026</b></p>
	<p>SHEET: PAGE:</p> <p>1 OF 1 56</p>	



ITEM NO.	PART NUMBER	DESCRIPTION	AD130 12x150/AD130 12 x 150/QTY.
1	630-4084	AD130 SMALL SEED BOX MOUNTING RH	1
2	630-4083	AD130 SMALL SEED BOX MOUNTING LH	1
3	630-4085	SMALL SEED BEAM MOUNTING BRACKET	2
4	112-2017	AD130 12x150 SSB	1
5	112-4045	SMALL SEED BOX BEARING MOUNT	1
6	112-3035	SPROCKET WELDED 08B 40T 25mmBORE GRUBS	1
7	630-3011	AD130 SMALL SEED BOX DOWN TUBE BAR	1
8	630-2012	AD130 SMALL SEED BOX HI/LO GEAR ASSEMBLY	1
9	630-4126	AD130 SMALL SEED BOX CLUTCH CHAIN	1
10	630-3018	AD130 SMALL SEED BOX CLUTCH GUARD	1

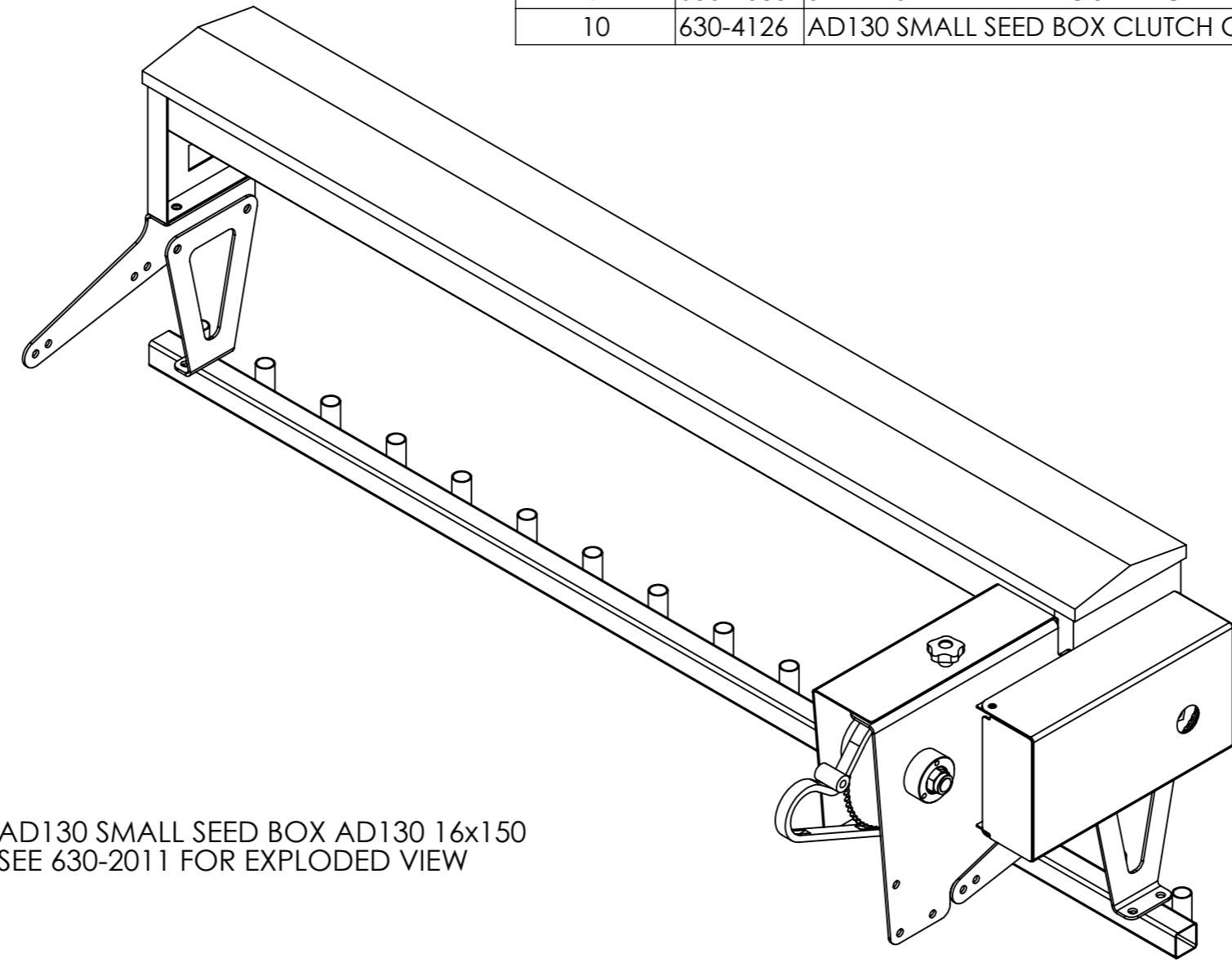


AD130 SMALL SEED BOX AD130 12x150  
SEE 630-2011 FOR EXPLODED VIEW

<b>AGROWFLOW</b>	TITLE: <b>AD130 12x150 SMALL SEED BOX ASSEMBLY</b>	PART NUMBER <b>630-2044</b>	
<small>COPYRIGHT RESERVED          THIS DRAWING IS THE PROPERTY AGROWFLOW PTY LTD, AND IS SUBJECT TO RETURN UPON DEMAND. IT IS SUBMITTED FOR USE ONLY IN CONNECTION WITH PROPOSALS OR CONTRACTS OF THIS ORGANISATION UPON THE EXPRESS CONDITION THAT IT IS NOT TO BE USED DIRECTLY OR INDIRECTLY IN ANY WAY DETRIMENTAL TO THE INTERESTES OF AGROWFLOW PTY LTD.</small>			SHEET: 1 OF 1 PAGE: 57

5/02/2020

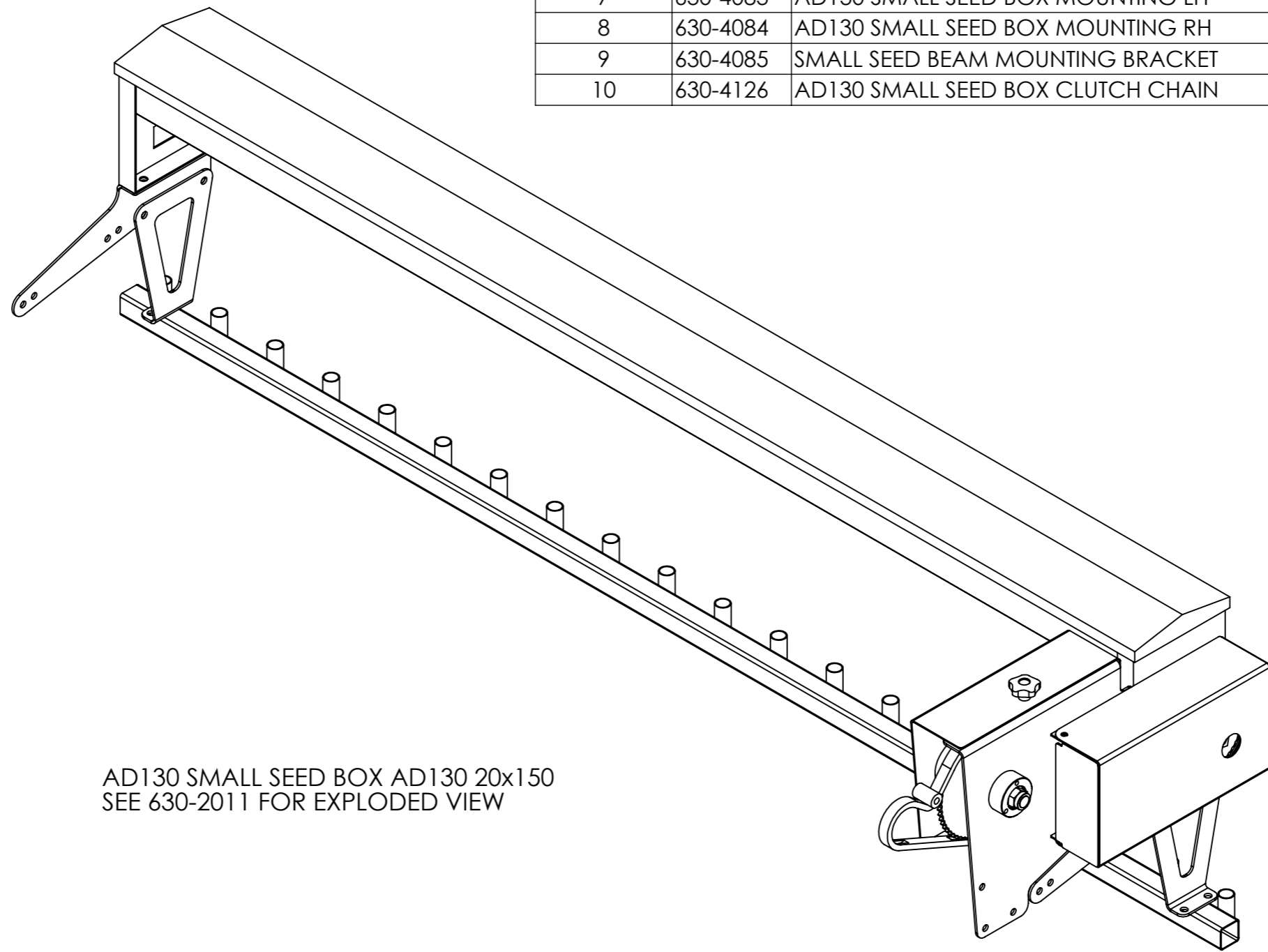
ITEM NO.	PART NUMBER	DESCRIPTION	AD130 16x150/QTY.
1	112-3035	SPROCKET WELDED 08B 40T 25mmBORE GRUBS	1
2	112-4045	SMALL SEED BOX BEARING MOUNT	1
3	112-2008	AD130 16x150 SMALL SEED BOX	1
4	630-2012	AD130 SMALL SEED BOX HI/LO GEAR ASSEMBLY	1
5	630-3011	AD130 SMALL SEED BOX DOWN TUBE BAR	1
6	630-3018	AD130 SMALL SEED BOX CLUTCH GUARD	1
7	630-4083	AD130 SMALL SEED BOX MOUNTING LH	1
8	630-4084	AD130 SMALL SEED BOX MOUNTING RH	1
9	630-4085	SMALL SEED BEAM MOUNTING BRACKET	2
10	630-4126	AD130 SMALL SEED BOX CLUTCH CHAIN	1



AD130 SMALL SEED BOX AD130 16x150  
SEE 630-2011 FOR EXPLODED VIEW

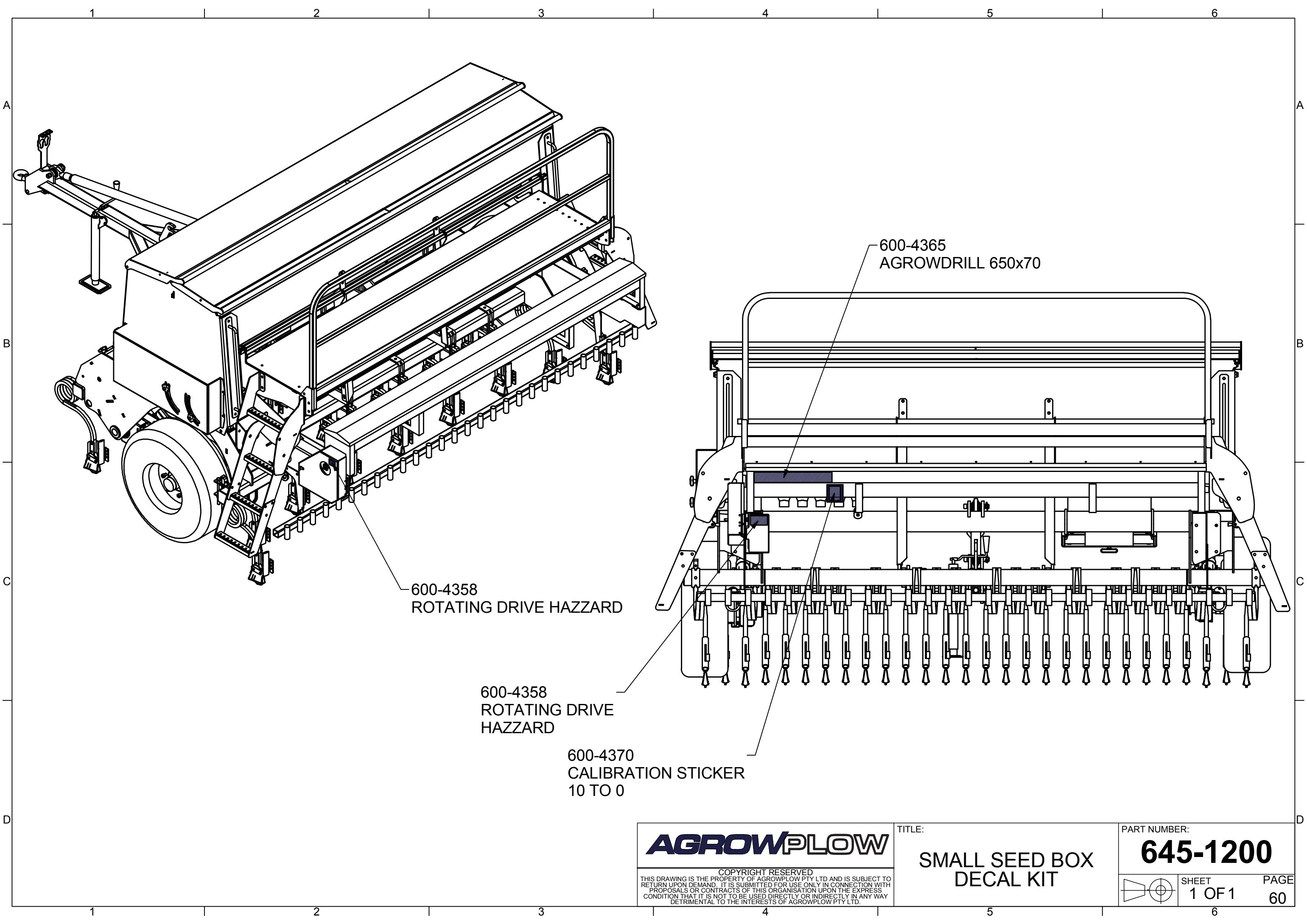
<p align="center"><b>AGROWFLOW</b></p> <p align="center">COPYRIGHT RESERVED</p> <p align="center">THIS DRAWING IS THE PROPERTY AGROWFLOW PTY LTD, AND IS SUBJECT TO RETURN UPON DEMAND. IT IS SUBMITTED FOR USE ONLY IN CONNECTION WITH PROPOSALS OR CONTRACTS OF THIS ORGANISATION UPON THE EXPRESS CONDITION THAT IT IS NOT TO BE USED DIRECTLY OR INDIRECTLY IN ANY WAY DETRIMENTAL TO THE INTERESTES OF AGROWFLOW PTY LTD.</p>	<p>TITLE:</p> <p align="center"><b>AD130 16x150 SMALL SEED BOX ASSEMBLY</b></p>	<p>PART NUMBER</p> <p align="center"><b>630-2018</b></p>
	<p>01-May-17</p>	<p>SHEET: PAGE:</p> <p align="center">1 OF 1 58</p>

ITEM NO.	PART NUMBER	DESCRIPTION	AD130 20x150/QTY.
1	112-3035	SPROCKET WELDED 08B 40T 25mmBORE GRUBS	1
2	112-4045	SMALL SEED BOX BEARING MOUNT	1
3	112-2008	AD130 20x150 SMALL SEED BOX	1
4	630-2012	AD130 SMALL SEED BOX HI/LO GEAR ASSEMBLY	1
5	630-3011	AD130 SMALL SEED BOX DOWN TUBE BAR	1
6	630-3018	AD130 SMALL SEED BOX CLUTCH GUARD	1
7	630-4083	AD130 SMALL SEED BOX MOUNTING LH	1
8	630-4084	AD130 SMALL SEED BOX MOUNTING RH	1
9	630-4085	SMALL SEED BEAM MOUNTING BRACKET	2
10	630-4126	AD130 SMALL SEED BOX CLUTCH CHAIN	1



AD130 SMALL SEED BOX AD130 20x150  
SEE 630-2011 FOR EXPLODED VIEW

<p><b>AGROWFLOW</b></p> <p><small>COPYRIGHT RESERVED</small></p> <p><small>THIS DRAWING IS THE PROPERTY AGROWFLOW PTY LTD, AND IS SUBJECT TO RETURN UPON DEMAND. IT IS SUBMITTED FOR USE ONLY IN CONNECTION WITH PROPOSALS OR CONTRACTS OF THIS ORGANISATION UPON THE EXPRESS CONDITION THAT IT IS NOT TO BE USED DIRECTLY OR INDIRECTLY IN ANY WAY DETRIMENTAL TO THE INTERESTES OF AGROWFLOW PTY LTD.</small></p>	<p>TITLE:</p> <p><b>AD130 20x150 SMALL SEED BOX ASSEMBLY</b></p>	<p>PART NUMBER</p> <p><b>630-2019</b></p>
	<p>01-May-17</p>	<p>SHEET: PAGE:</p> <p>1 OF 1 59</p>



600-4365  
AGROWDRILL 650x70

600-4358  
ROTATING DRIVE HAZZARD

600-4358  
ROTATING DRIVE  
HAZZARD

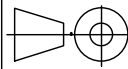
600-4370  
CALIBRATION STICKER  
10 TO 0

**AGROWFLOW**

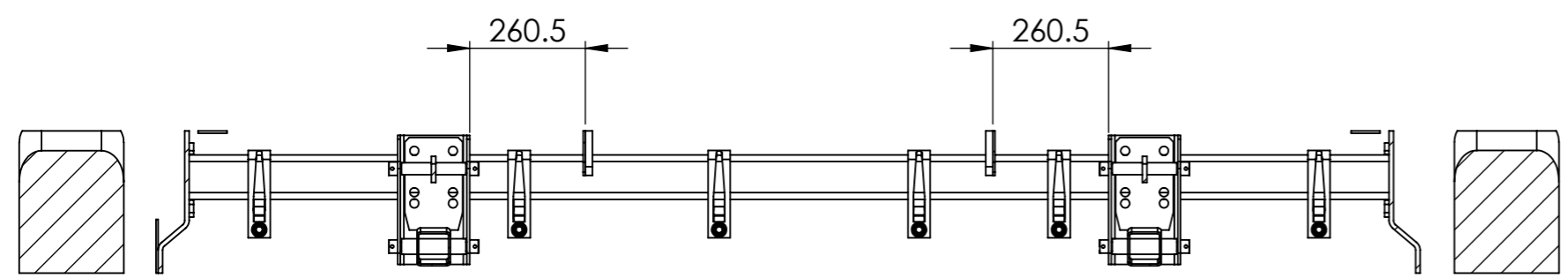
COPYRIGHT RESERVED  
THIS DRAWING IS THE PROPERTY OF AGROWFLOW PTY LTD AND IS SUBJECT TO RETURN UPON DEMAND. IT IS SUBMITTED FOR USE ONLY IN CONNECTION WITH PROPOSALS OR CONTRACTS OF THIS ORGANISATION UPON THE EXPRESS CONDITION THAT IT IS NOT TO BE USED DIRECTLY OR INDIRECTLY IN ANY WAY DETRIMENTAL TO THE INTERESTS OF AGROWFLOW PTY LTD.

TITLE:  
**SMALL SEED BOX  
DECAL KIT**

PART NUMBER:  
**645-1200**

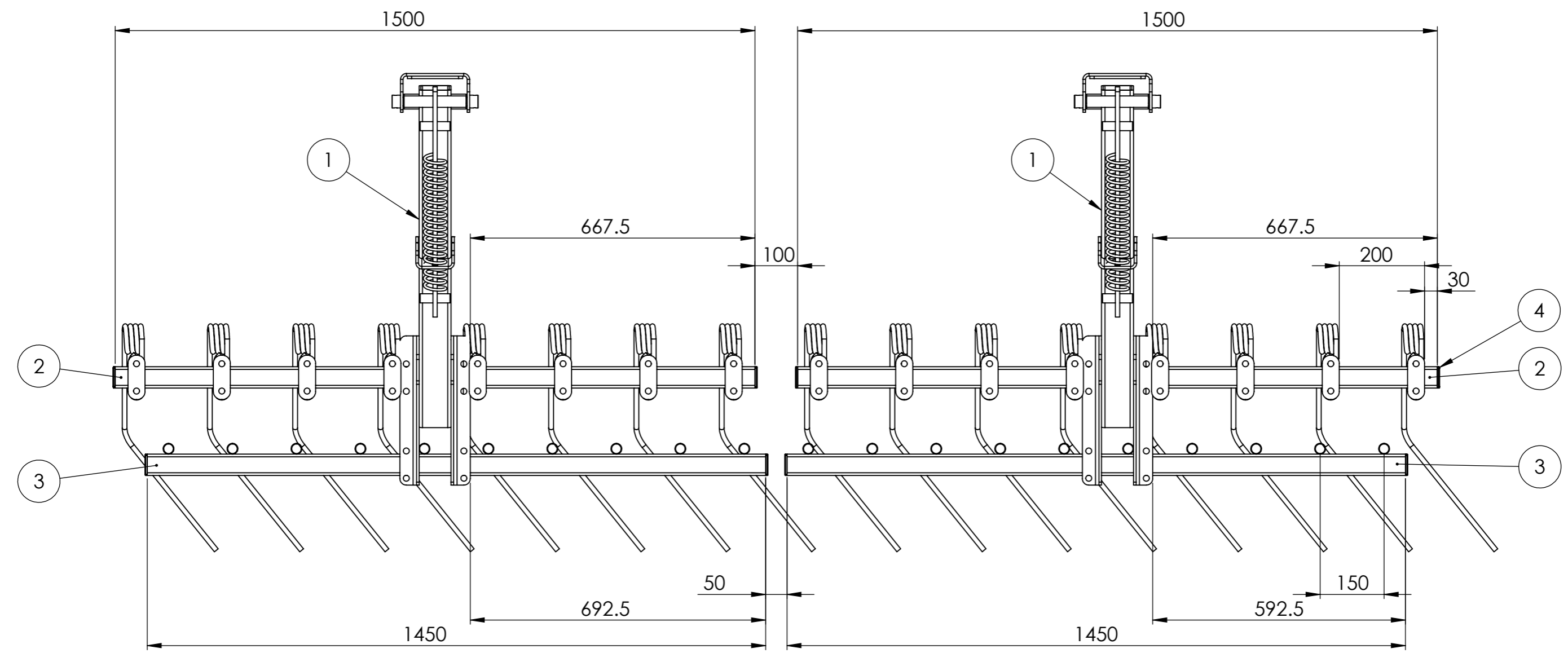
 SHEET **1 OF 1** PAGE **60**

ITEM NO.	PART NUMBER	DESCRIPTION	QTY.
1	019-2021	HARROW ARM ASSEMBLY	2
2	019-2022	HARROW BAR 8 Springs	2
3	019-2027	HARROW SMALL SEED DOWN TUBE BAR	2
4	019-3037	END CAP 100x100 RHS	8



HARROW MOUNTING POSITION ON AD130 SEED DRILL  
MEASUREMENT FROM FRAME FINIS TO HARROW MOUNT

HARROWS ARE NOT SUPPLIED WITH SMALL SEED DOWN TUBES UNLESS PURCHASED WITH A SEED DRILL INCLUDING SMALL SEED BOX



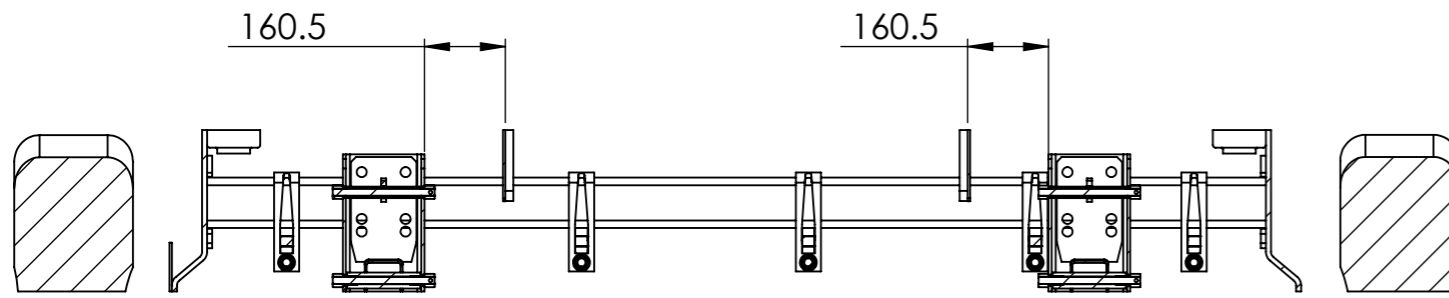
NOTE:  
ALL DIMENSIONS TO END OF RHS.  
SEE 019-1014 FOR ASSEMBLY TO SUIT DISC MACHINE  
SEE 019-1012 FOR ASSEMBLY WITH SEED DOWN TUBES

**AGROWFLOW**  
COPYRIGHT RESERVED  
THIS DRAWING IS THE PROPERTY AGROWFLOW PTY LTD, AND IS SUBJECT TO RETURN UPON DEMAND. IT IS SUBMITTED FOR USE ONLY IN CONNECTION WITH PROPOSALS OR CONTRACTS OF THIS ORGANISATION UPON THE EXPRESS CONDITION THAT IT IS NOT TO BE USED DIRECTLY OR INDIRECTLY IN ANY WAY DETRIMENTAL TO THE INTERESTS OF AGROWFLOW PTY LTD.

TITLE:  
**AD130 HARROWS TO SUIT 20x150 TYNES**

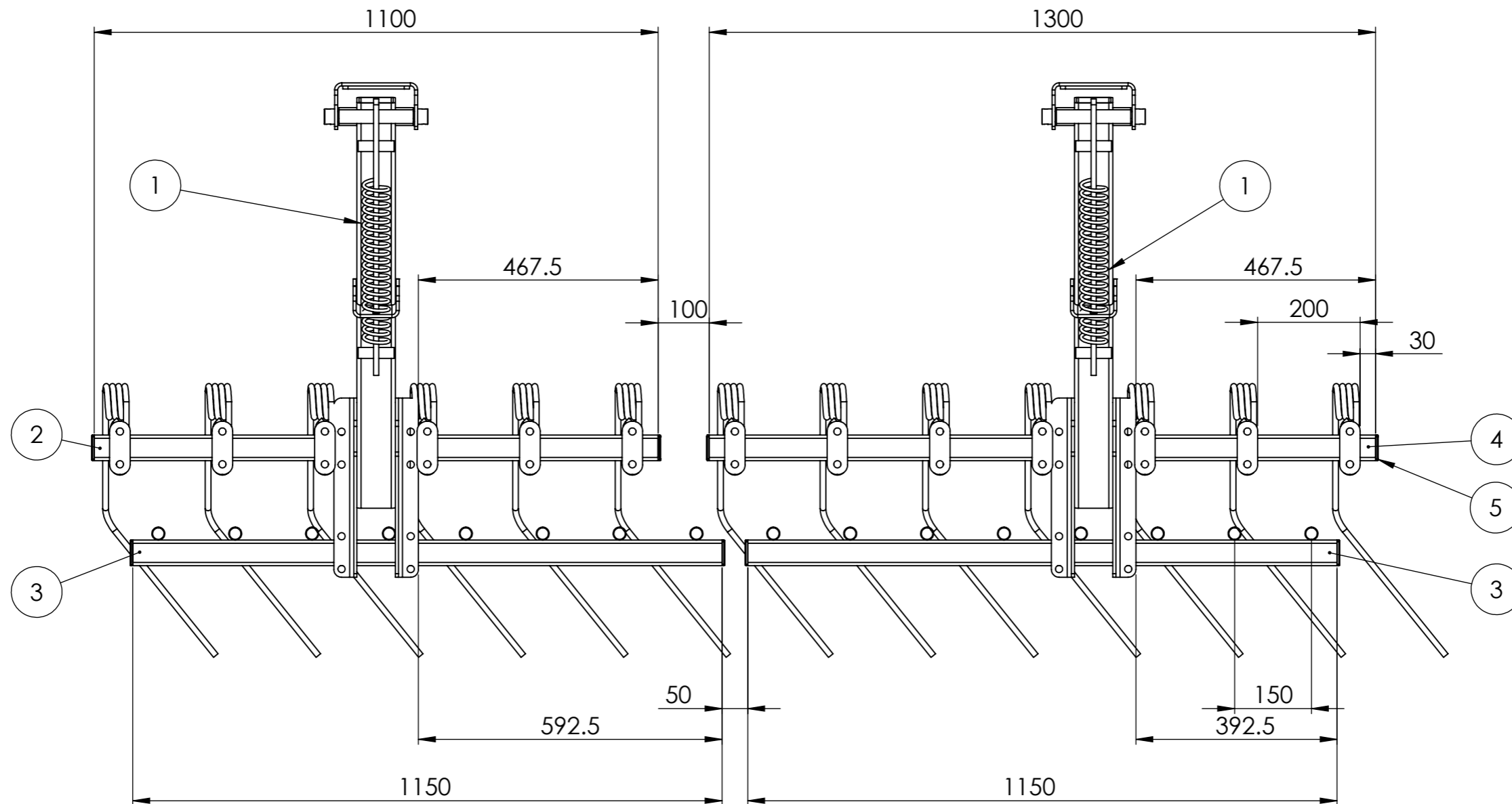
PART NUMBER  
**019-1010**  
SHEET: 1 OF 1  
PAGE: 61  
7/08/2019

ITEM NO.	PART NUMBER	DESCRIPTION	QTY.
1	019-2021	HARROW ARM ASSEMBLY	2
2	019-2022	HARROW BAR 6 Springs	1
3	019-2023	HARROW SMALL SEED DOWN TUBE BAR	2
4	019-2022	HARROW BAR 7 Springs	1
5	019-3037	END CAP 100x100 RHS	8



HARROW MOUNTING POSITION ON AD130 SEED DRILL  
MEASUREMENT FROM FRAME FINIS TO HARROW MOUNT

HARROWS ARE NOT SUPPLIED WITH SMALL SEED  
DOWN TUBES UNLESS PURCHASED WITH A SEED DRILL  
INCLUDING SMALL SEED BOX



NOTE:  
ALL DIMENSIONS TO END OF RHS  
SEE 019-1015 FOR ASSEMBLY TO SUIT DISC MACHINE  
SEE 019-1013 FOR ASSEMBLY WITH SMALL SEED DOWN TUBES

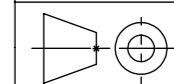
**AGROWFLOW**  
COPYRIGHT RESERVED  
THIS DRAWING IS THE PROPERTY AGROWFLOW PTY LTD, AND IS SUBJECT TO RETURN UPON DEMAND. IT IS SUBMITTED FOR USE ONLY IN CONNECTION WITH PROPOSALS OR CONTRACTS OF THIS ORGANISATION UPON THE EXPRESS CONDITION THAT IT IS NOT TO BE USED DIRECTLY OR INDIRECTLY IN ANY WAY DETRIMENTAL TO THE INTERESTS OF AGROWFLOW PTY LTD.

TITLE:  
**AD130 HARROWS TO  
SUIT 16x150 TYNES**

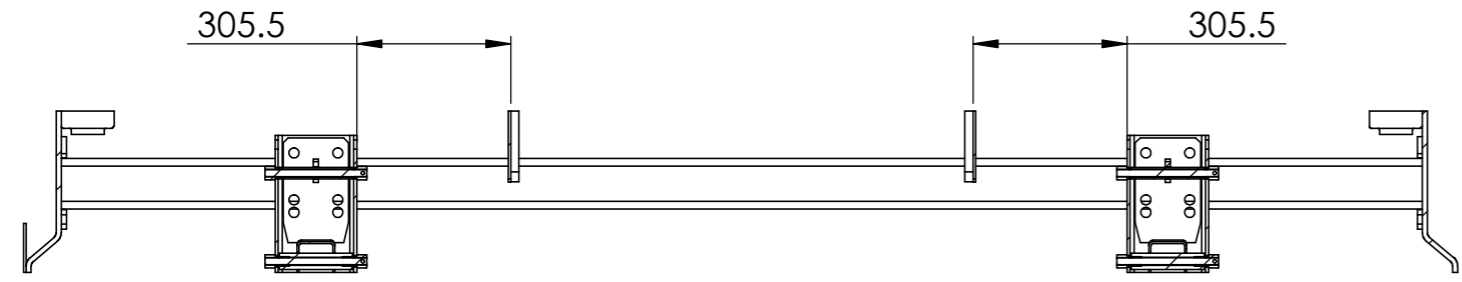
PART NUMBER  
**019-1011**

SHEET: PAGE:  
1 OF 1 62

7/08/2019

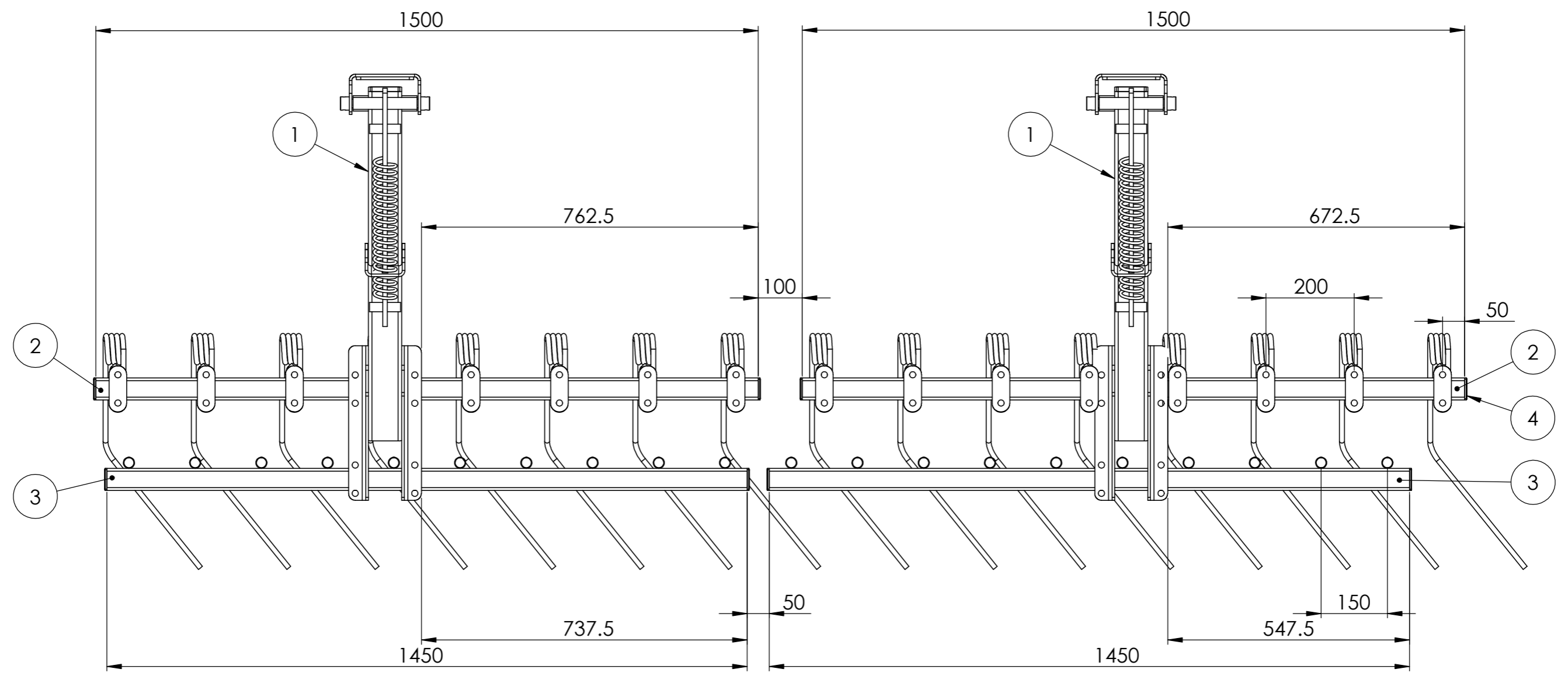


ITEM NO.	PART NUMBER	DESCRIPTION	QTY.
1	019-2021	HARROW ARM ASSEMBLY	2
2	019-2022	HARROW BAR 8 Springs	2
3	019-2027	HARROW SMALL SEED DOWN TUBE BAR	2
4	019-3037	END CAP 100x100 RHS	8



HARROW MOUNTING POSITION ON AD130 SEED DRILL  
MEASUREMENT FROM FRAME FINIS TO HARROW MOUNT

HARROWS ARE NOT SUPPLIED WITH SMALL SEED  
DOWN TUBES UNLESS PURCHASED WITH A SEED DRILL  
INCLUDING SMALL SEED BOX



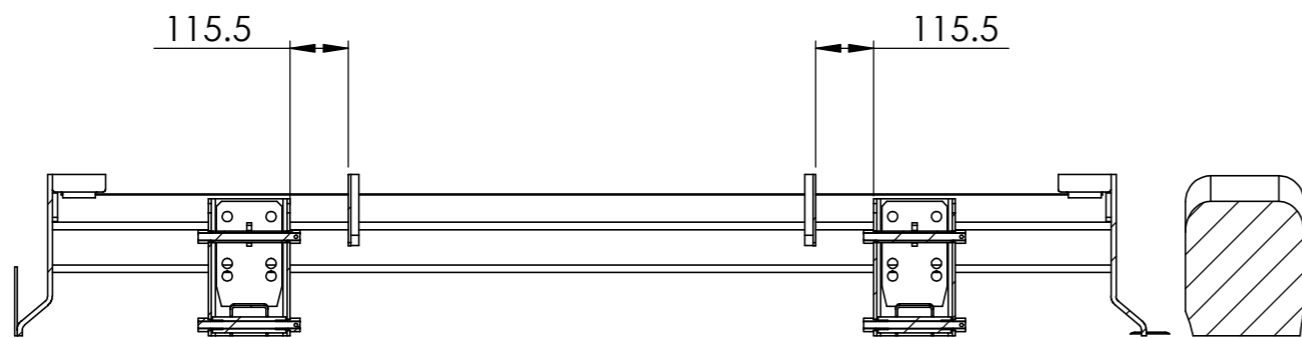
NOTE:  
ALL DIMENSIONS TO END OF RHS  
SEE 019-1010 FOR ASSEMBLY TO SUIT TYNE MACHINE  
SEE 019-1012 FOR ASSEMBLY WITH SMALL SEED DOWN TUBES

**AGROWFLOW**  
COPYRIGHT RESERVED  
THIS DRAWING IS THE PROPERTY AGROWFLOW PTY LTD, AND IS SUBJECT TO RETURN  
UPON DEMAND. IT IS SUBMITTED FOR USE ONLY IN CONNECTION WITH PROPOSALS OR  
CONTRACTS OF THIS ORGANISATION UPON THE EXPRESS CONDITION THAT IT IS NOT TO  
BE USED DIRECTLY OR INDIRECTLY IN ANY WAY DETRIMENTAL TO THE INTERESTES OF  
AGROWFLOW PTY LTD.

TITLE:  
**AD130 HARROWS TO  
SUIT 20x150 DISC**

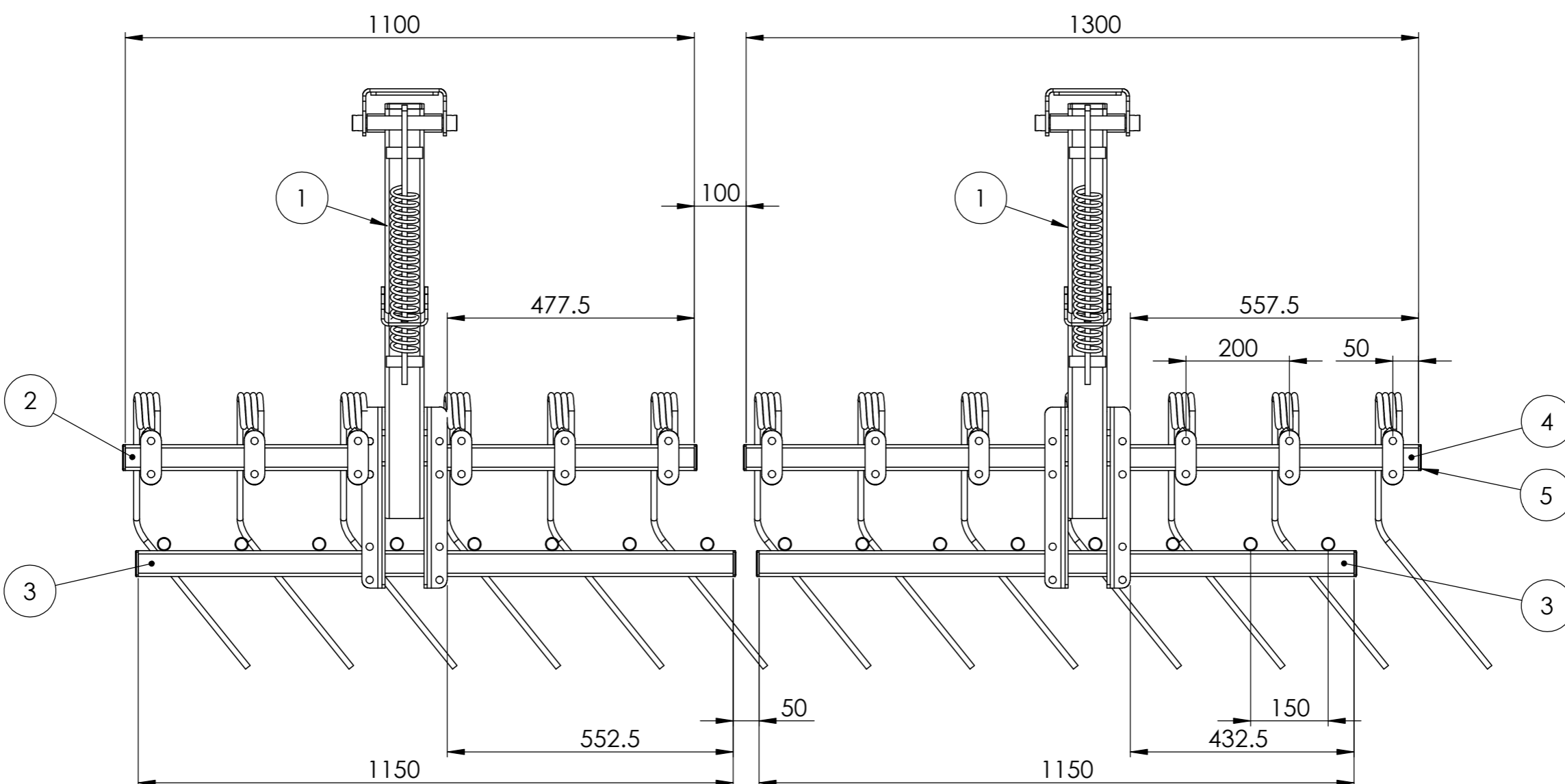
PART NUMBER  
**019-1014**  
SHEET: 1 OF 1 PAGE: 63  
7/08/2019

ITEM NO.	PART NUMBER	DESCRIPTION	QTY.
1	019-2021	HARROW ARM ASSEMBLY	2
2	019-2022	HARROW BAR 6 Springs	1
3	019-2023	HARROW SMALL SEED DOWN TUBE BAR	2
4	019-2022	HARROW BAR 7 Springs	1
5	019-3037	END CAP 100x100 RHS	8



HARROW MOUNTING POSITION ON AD130 SEED DRILL  
MEASUREMENT FROM FRAME FINIS TO HARROW MOUNT

HARROWS ARE NOT SUPPLIED WITH SMALL SEED DOWN TUBES UNLESS PURCHASED WITH A SEED DRILL INCLUDING SMALL SEED BOX



NOTE:  
ALL DIMENSIONS TO END OF RHS  
SEE 019-1011 FOR ASSEMBLY TO SUIT DISC MACHINE  
SEE 019-1013 FOR ASSEMBLY WITH SMALL SEED DOWN TUBES

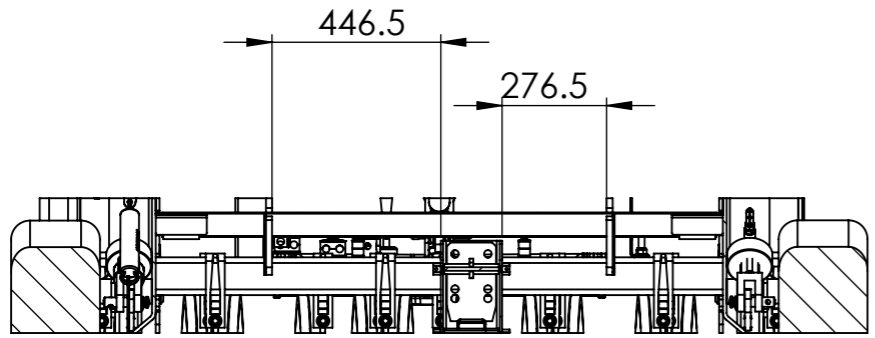
**AGROWFLOW**  
COPYRIGHT RESERVED  
THIS DRAWING IS THE PROPERTY AGROWFLOW PTY LTD, AND IS SUBJECT TO RETURN UPON DEMAND. IT IS SUBMITTED FOR USE ONLY IN CONNECTION WITH PROPOSALS OR CONTRACTS OF THIS ORGANISATION UPON THE EXPRESS CONDITION THAT IT IS NOT TO BE USED DIRECTLY OR INDIRECTLY IN ANY WAY DETRIMENTAL TO THE INTERESTS OF AGROWFLOW PTY LTD.

TITLE:  
**AD130 HARROWS TO SUIT 16x150 DISC**  
7/08/2019

PART NUMBER  
**019-1015**  
SHEET: 1 OF 1  
PAGE: 64

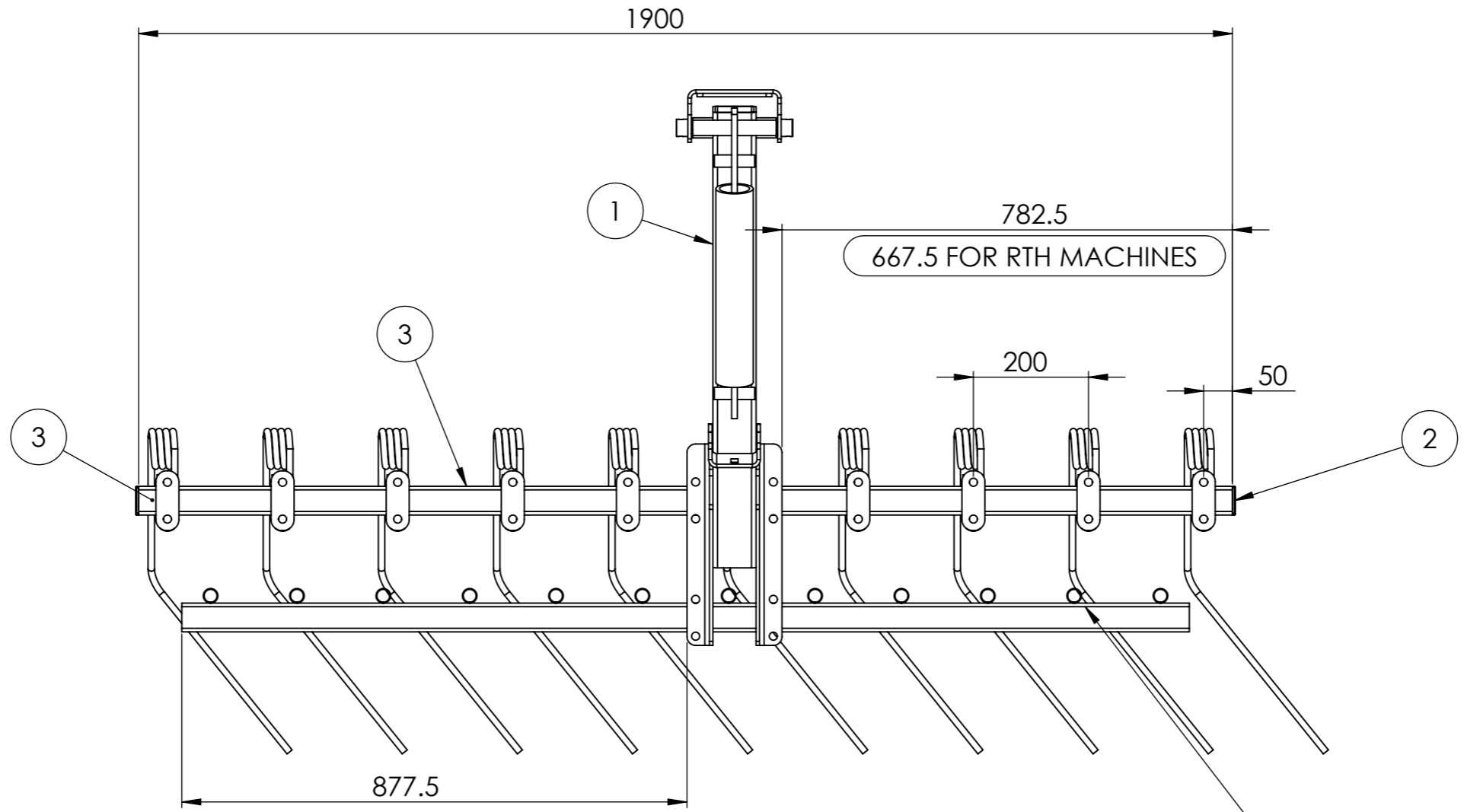


ITEM NO.	PART NUMBER	DESCRIPTION	RTH/QTY.
1	019-2021	HARROW ARM ASSEMBLY	1
2	019-3037	END CAP 100x100 RHS	2
3	019-2022	HARROW BAR 10 Springs	1
4	019-2026	SMALL SEED HARROW BAR 1800	1



HARROW MOUNTING POSITION ON AD130 SEED DRILL  
MEASUREMENT FROM FRAME FINIS TO HARROW MOUNT

HARROWS ARE NOT SUPPLIED WITH SMALL SEED  
DOWN TUBES UNLESS PURCHASED WITH A SEED DRILL  
INCLUDING SMALL SEED BOX



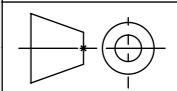
TO SUIT ONLY TYNE MACHINE

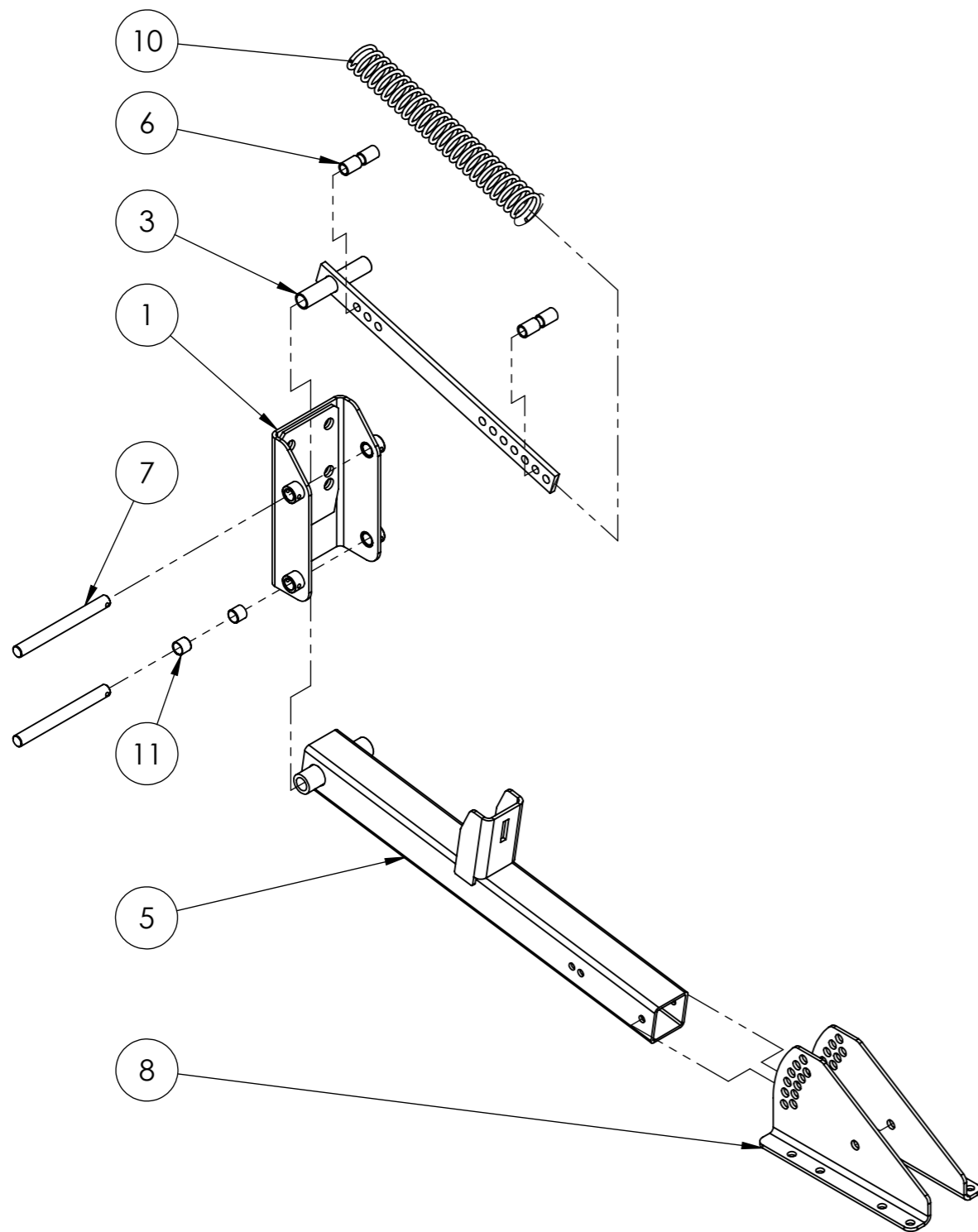
NOTE:  
ALL DIMENSIONS TO END OF RHS

**AGROWFLOW**  
COPYRIGHT RESERVED  
THIS DRAWING IS THE PROPERTY AGROWFLOW PTY LTD, AND IS SUBJECT TO RETURN UPON DEMAND. IT IS SUBMITTED FOR USE ONLY IN CONNECTION WITH PROPOSALS OR CONTRACTS OF THIS ORGANISATION UPON THE EXPRESS CONDITION THAT IT IS NOT TO BE USED DIRECTLY OR INDIRECTLY IN ANY WAY DETRIMENTAL TO THE INTERESTS OF AGROWFLOW PTY LTD.

TITLE:  
**AD130 HARROWS TO  
SUIT 12x150 DISC**

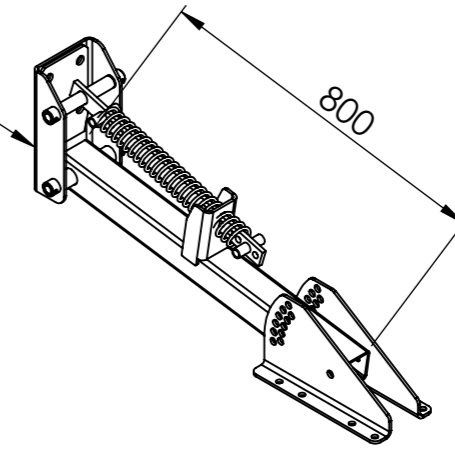
PART NUMBER  
**019-1032**  
SHEET: PAGE:  
1 OF 1 65  
5/02/2020



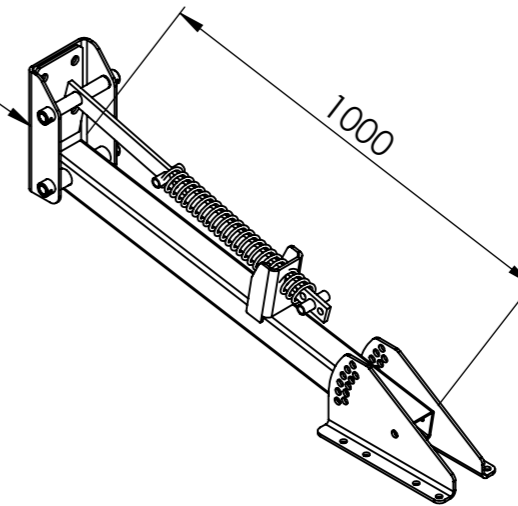


ITEM NO.	PART NUMBER	DESCRIPTION	Long Spring/QTY.	Short Curly/QTY.
1	019-2002	TOP PIVOT ASSEMBLYS	1	1
2	019-2003	SPRING ARM LONG	1	-
3	019-2003	SPRING ARM SHORT	-	1
4	019-2004	MAIN ARM LONG	1	-
5	019-2004	MAIN ARM SHORT	-	1
6	019-3004	SPACER	4	4
7	019-3010	MOUNTING PIN	2	2
8	019-3017	BOTTOM PIVOT PLATE - RH	1	1
9	019-3018	BOTTOM PIVOT PLATE -RH	1	1
10	019-3021	SPRING 56 OD,6.4mm, 400 LONG	1	1
11	640-1010	BUSH ID 20, OD 23, Length 20	2	2

SHORT HARROW ARM  
AD130



LONG HARROW ARM  
AD230



**AGROWFLOW**  
 COPYRIGHT RESERVED  
 THIS DRAWING IS THE PROPERTY AGROWFLOW PTY LTD, AND IS SUBJECT TO RETURN UPON DEMAND. IT IS SUBMITTED FOR USE ONLY IN CONNECTION WITH PROPOSALS OR CONTRACTS OF THIS ORGANISATION UPON THE EXPRESS CONDITION THAT IT IS NOT TO BE USED DIRECTLY OR INDIRECTLY IN ANY WAY DETRIMENTAL TO THE INTERESTES OF AGROWFLOW PTY LTD.

TITLE:  
**HARROW ARM ASSEMBLY**  
 01-May-17

PART NUMBER  
**019-2021**  
 SHEET: PAGE:  
 1 OF 1 66

1 2 3 4 5 6

PARTS LIST			
ITEM	PART NUMBER	TITLE	QTY
1	019-3001	HARROW SPRING SUPPORT PLATE	1
2	019-3003	HARROW SPRING	1
3	130-4104	U-Bolt M12 50 X 95	1
4	134-4017	M12 Hex Nut	2
5	135-3012	M12 MILD STEEL WASHER	2

A

A

B

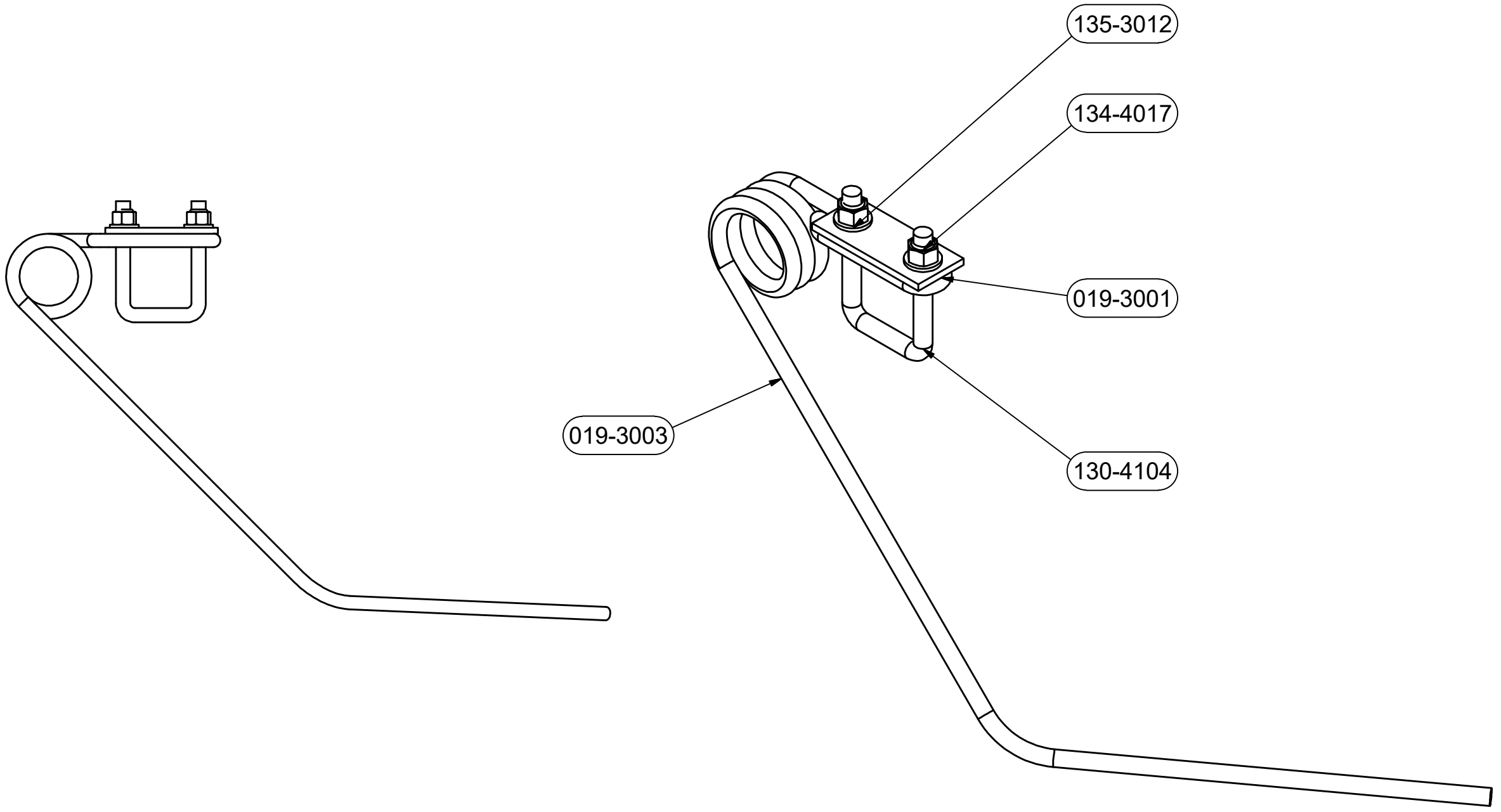
B

C

C

D

D

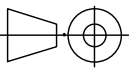


**AGROWFLOW**

TITLE:  
**SPRING ARM ASSEMBLY**

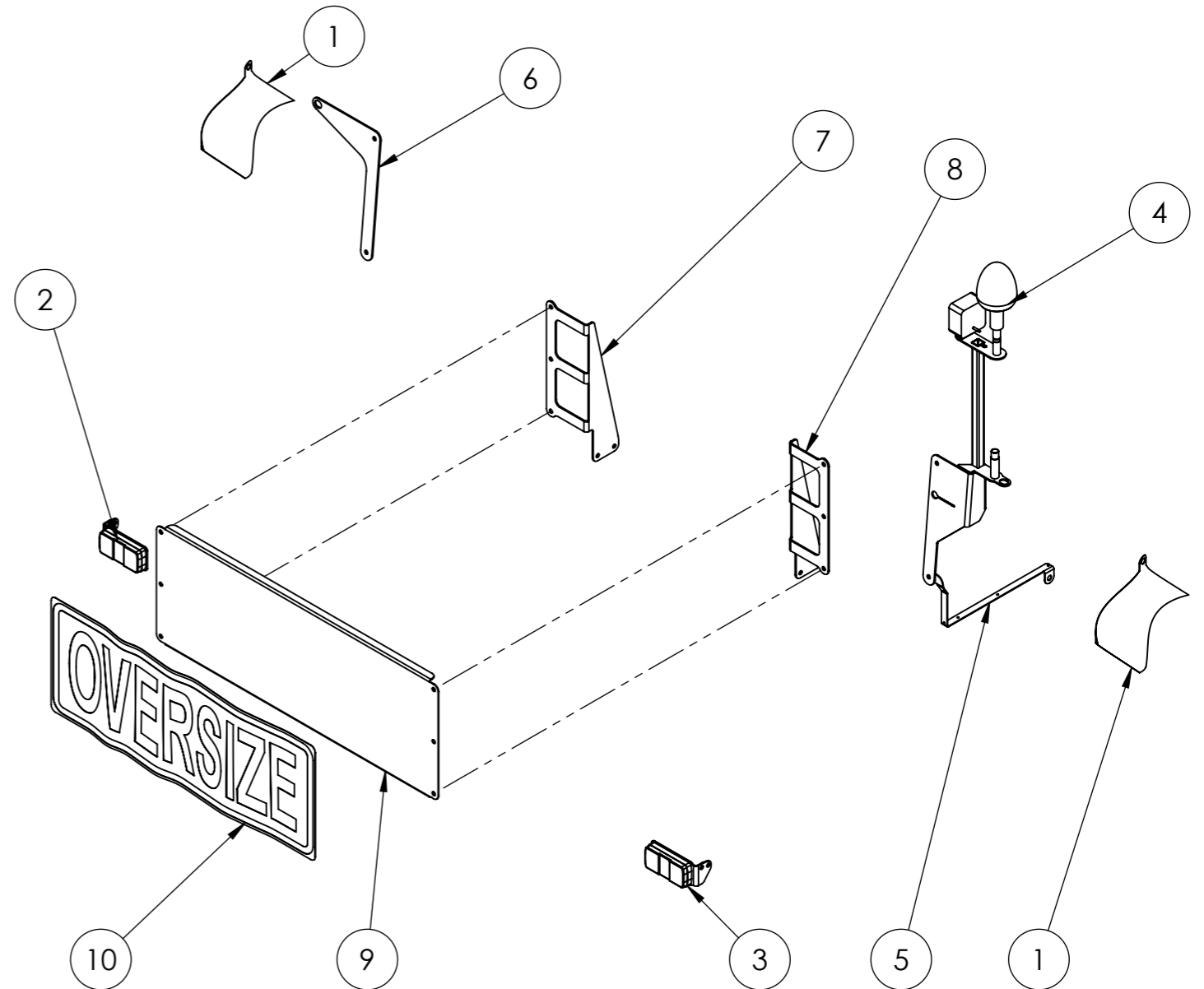
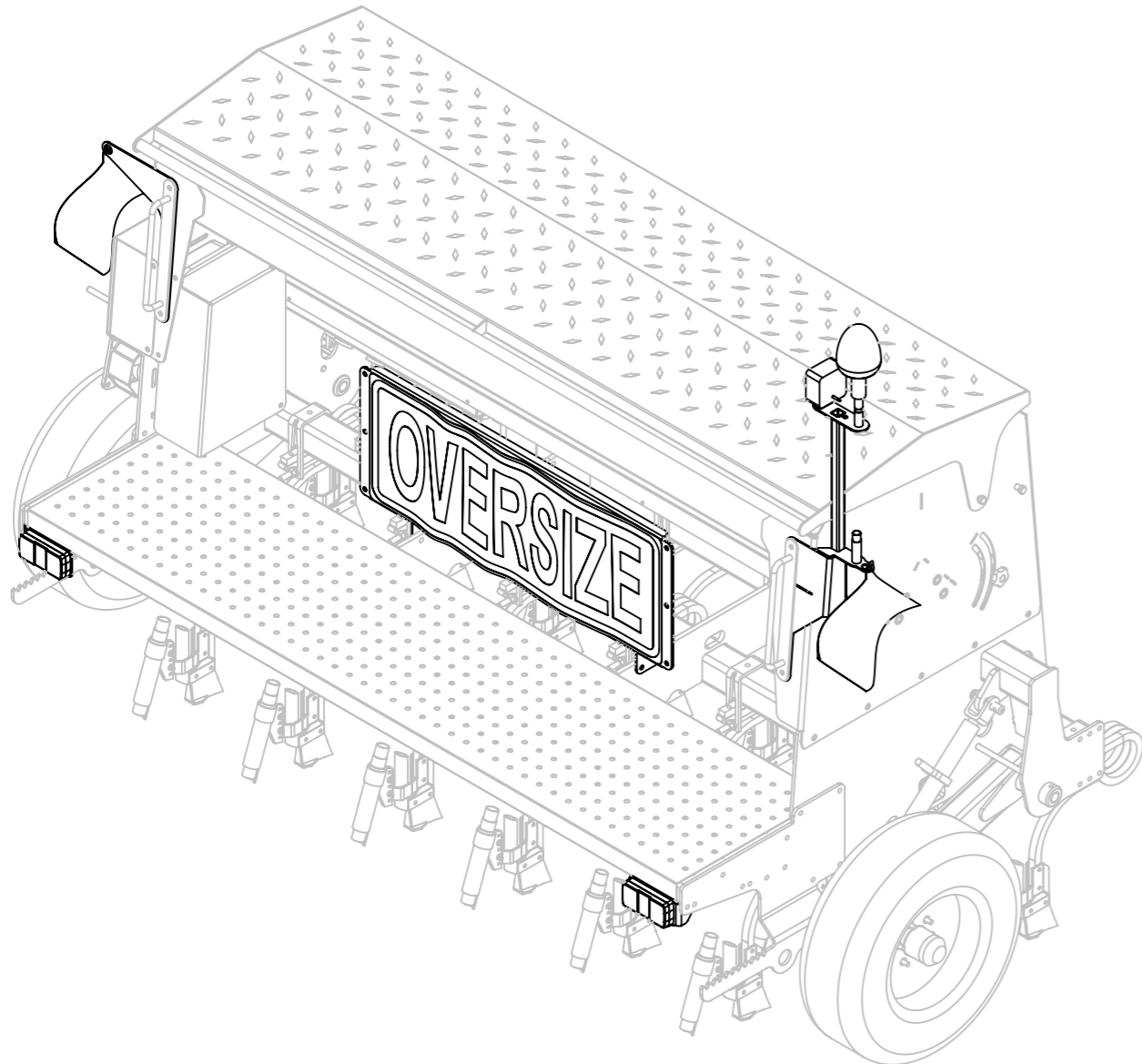
PART NUMBER:  
**019-2005**

COPYRIGHT RESERVED  
THIS DRAWING IS THE PROPERTY OF AGROWFLOW PTY LTD AND IS SUBJECT TO RETURN UPON DEMAND. IT IS SUBMITTED FOR USE ONLY IN CONNECTION WITH PROPOSALS OR CONTRACTS OF THIS ORGANISATION UPON THE EXPRESS CONDITION THAT IT IS NOT TO BE USED DIRECTLY OR INDIRECTLY IN ANY WAY DETRIMENTAL TO THE INTERESTS OF AGROWFLOW PTY LTD.

 SHEET **1 OF 1** PAGE **67**

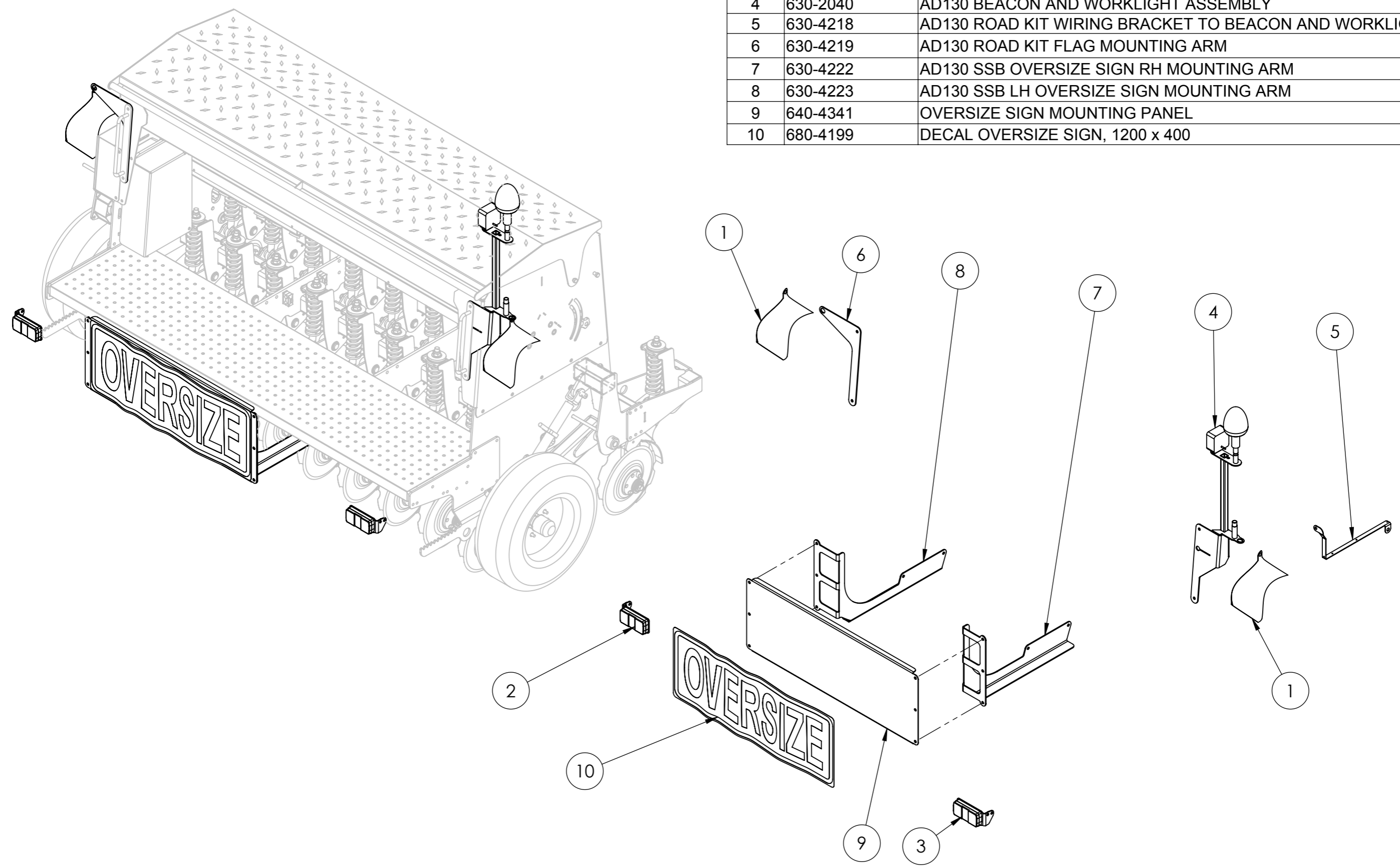
1 2 3 4 5 6

ITEM NO.	PART NUMBER	DESCRIPTION	QTY
1	202-0128	FLAGS 400x400	2
2	630-2031	AD130 LH TAIL LIGHT ASSEMBLY	1
3	630-2032	AD130 RH TAIL LIGHT ASSEMBLY	1
4	630-2040	AD130 BEACON AND WORKLIGHT ASSEMBLY	1
5	630-4218	AD130 ROAD KIT WIRING BRACKET TO BEACON AND WORKLIGHT	1
6	630-4219	AD130 ROAD KIT FLAG MOUNTING ARM	1
7	630-4224	AD130 ROAD KIT OVERSIZE SIGN LH MOUNTING BRACKET	1
8	630-4225	AD130 ROAD KIT OVERSIZE SIGN RH MOUNTING BRACKET	1
9	640-4341	OVERSIZE SIGN MOUNTING PANEL	1
10	680-4199	DECAL OVERSIZE SIGN, 1200 x 400	1



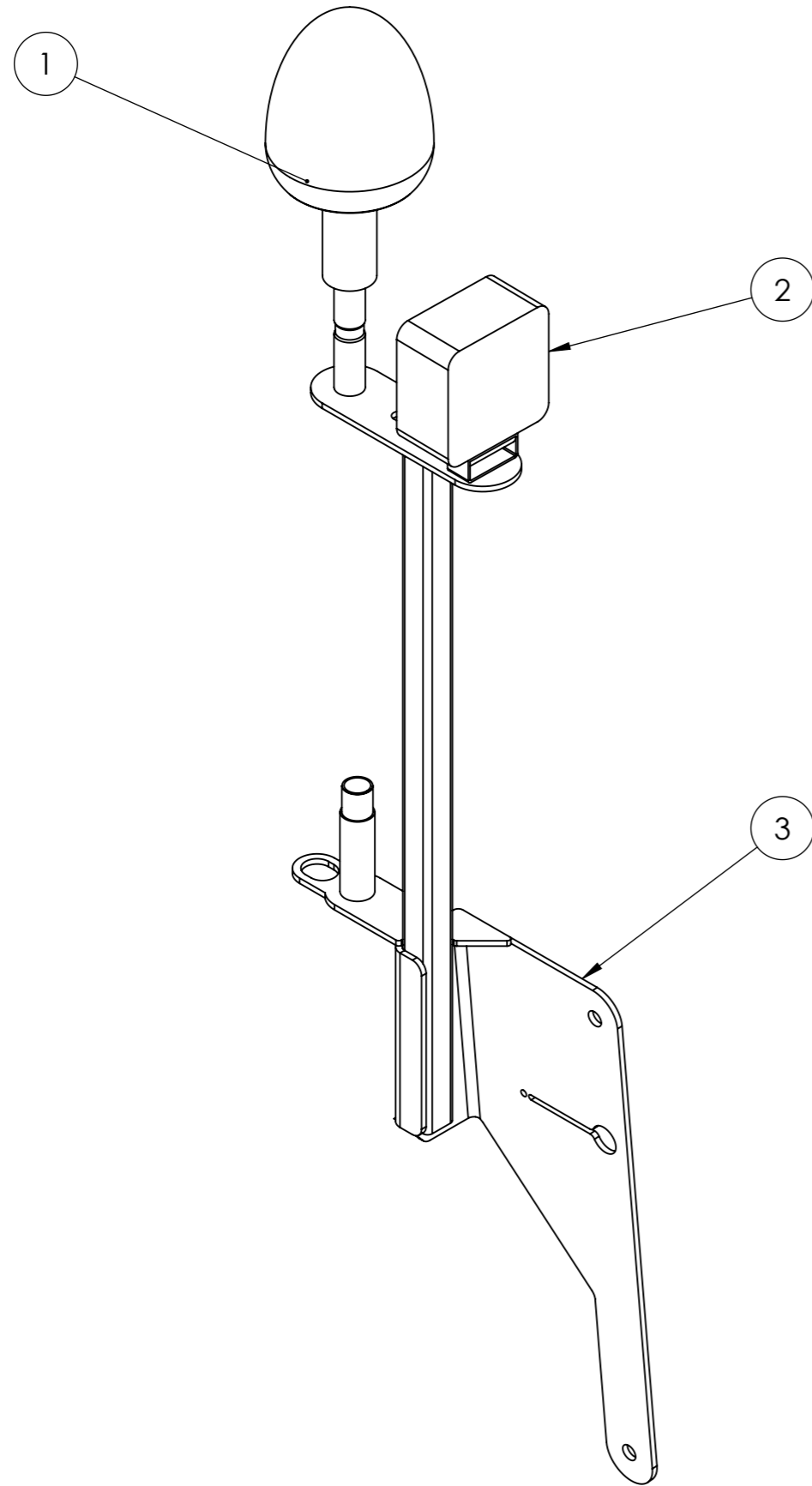
<b>AGROWFLOW</b> COPYRIGHT RESERVED THIS DRAWING IS THE PROPERTY AGROWFLOW PTY LTD, AND IS SUBJECT TO RETURN UPON DEMAND. IT IS SUBMITTED FOR USE ONLY IN CONNECTION WITH PROPOSALS OR CONTRACTS OF THIS ORGANISATION UPON THE EXPRESS CONDITION THAT IT IS NOT TO BE USED DIRECTLY OR INDIRECTLY IN ANY WAY DETRIMENTAL TO THE INTERESTES OF AGROWFLOW PTY LTD.	<b>AD130 STANDARD ROAD KIT</b>	PART NUMBER <b>630-2038</b>
	LAST PRINTED 2/10/2019      TOTAL MASS Kg	

ITEM NO.	PART NUMBER	DESCRIPTION	QTY
1	202-0128	FLAGS 400x400	2
2	630-2031	AD130 LH TAIL LIGHT ASSEMBLY	1
3	630-2032	AD130 RH TAIL LIGHT ASSEMBLY	1
4	630-2040	AD130 BEACON AND WORKLIGHT ASSEMBLY	1
5	630-4218	AD130 ROAD KIT WIRING BRACKET TO BEACON AND WORKLIGHT	1
6	630-4219	AD130 ROAD KIT FLAG MOUNTING ARM	1
7	630-4222	AD130 SSB OVERSIZE SIGN RH MOUNTING ARM	1
8	630-4223	AD130 SSB LH OVERSIZE SIGN MOUNTING ARM	1
9	640-4341	OVERSIZE SIGN MOUNTING PANEL	1
10	680-4199	DECAL OVERSIZE SIGN, 1200 x 400	1



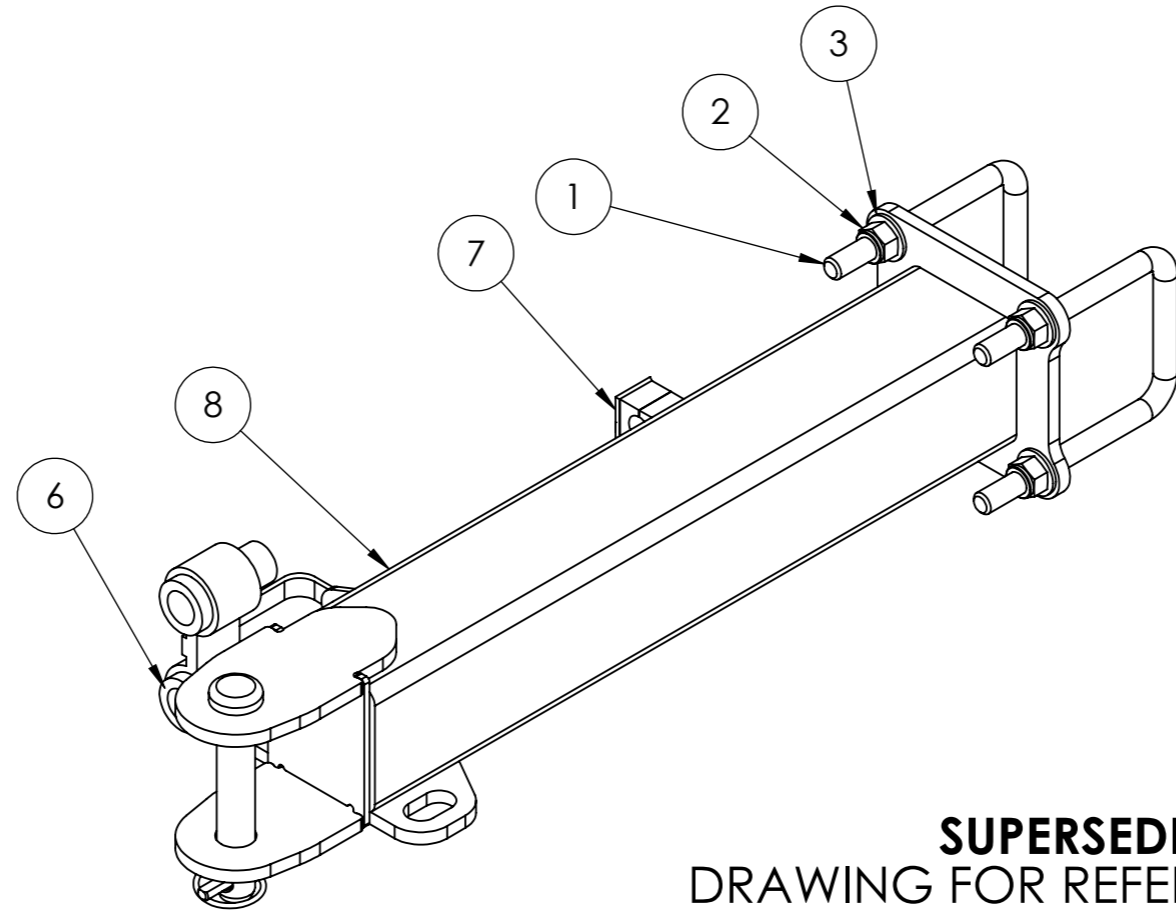
<p><b>AGROWFLOW</b></p> <p><small>COPYRIGHT RESERVED</small></p> <p><small>THIS DRAWING IS THE PROPERTY AGROWFLOW PTY LTD, AND IS SUBJECT TO RETURN UPON DEMAND. IT IS SUBMITTED FOR USE ONLY IN CONNECTION WITH PROPOSALS OR CONTRACTS OF THIS ORGANISATION UPON THE EXPRESS CONDITION THAT IT IS NOT TO BE USED DIRECTLY OR INDIRECTLY IN ANY WAY DETRIMENTAL TO THE INTERESTS OF AGROWFLOW PTY LTD.</small></p>	<p><b>AD130 SMALL SEED BOX ROAD KIT</b></p>	<p>PART NUMBER</p> <p><b>630-2039</b></p>
	<p>LAST PRINTED 2/10/2019</p> <p>TOTAL MASS 2530.92 Kg</p>	<p>SHEET: 1 OF 1</p> <p>PAGE: 69</p>

ITEM NO.	PART NUMBER	DESCRIPTION	QTY
1	202-0114	FLEXIBLE POLE MOUNTED BEACON	1
2	202-0115	WORK FLOOD LIGHT 48W 16 LED	1
3	630-3028	AD130 BEACON AND WORK LIGHT WELDED MOUNTING ASSEMBLY	1



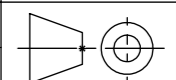
<p><b>AGROWFLOW</b></p> <p><small>COPYRIGHT RESERVED</small></p> <p><small>THIS DRAWING IS THE PROPERTY AGROWFLOW PTY LTD, AND IS SUBJECT TO RETURN UPON DEMAND. IT IS SUBMITTED FOR USE ONLY IN CONNECTION WITH PROPOSALS OR CONTRACTS OF THIS ORGANISATION UPON THE EXPRESS CONDITION THAT IT IS NOT TO BE USED DIRECTLY OR INDIRECTLY IN ANY WAY DETRIMENTAL TO THE INTERESTES OF AGROWFLOW PTY LTD.</small></p>	<p><b>AD130 BEACON AND WORK LIGHT ASSEMBLY</b></p>	<p>PART NUMBER</p> <p><b>630-2040</b></p>
	<p>LAST PRINTED 2/10/2019</p> <p>TOTAL MASS 6.51 Kg</p>	

ITEM NO.	PART NUMBER	DESCRIPTION	QTY.
1	130-4101	U BOLT M16 100x100	2
2	134-4023	M16 HEX NYLOCK NUT ZINC PLATED GR 8.8	4
3	135-3036	WASHER FLAT M16	4
4	140-0012	PIN CLEVIS 1" 136mm CAT2 LOWER	1
5	140-0039	LINCH PIN 11mm 32mm	1
6	154-3743	HYD COUPLING KIT	1
7	154-5011	HYD CLAMP DIA 19	1
8	630-3010	AD130 REAR TOW HITCH SUPERSEDED	1



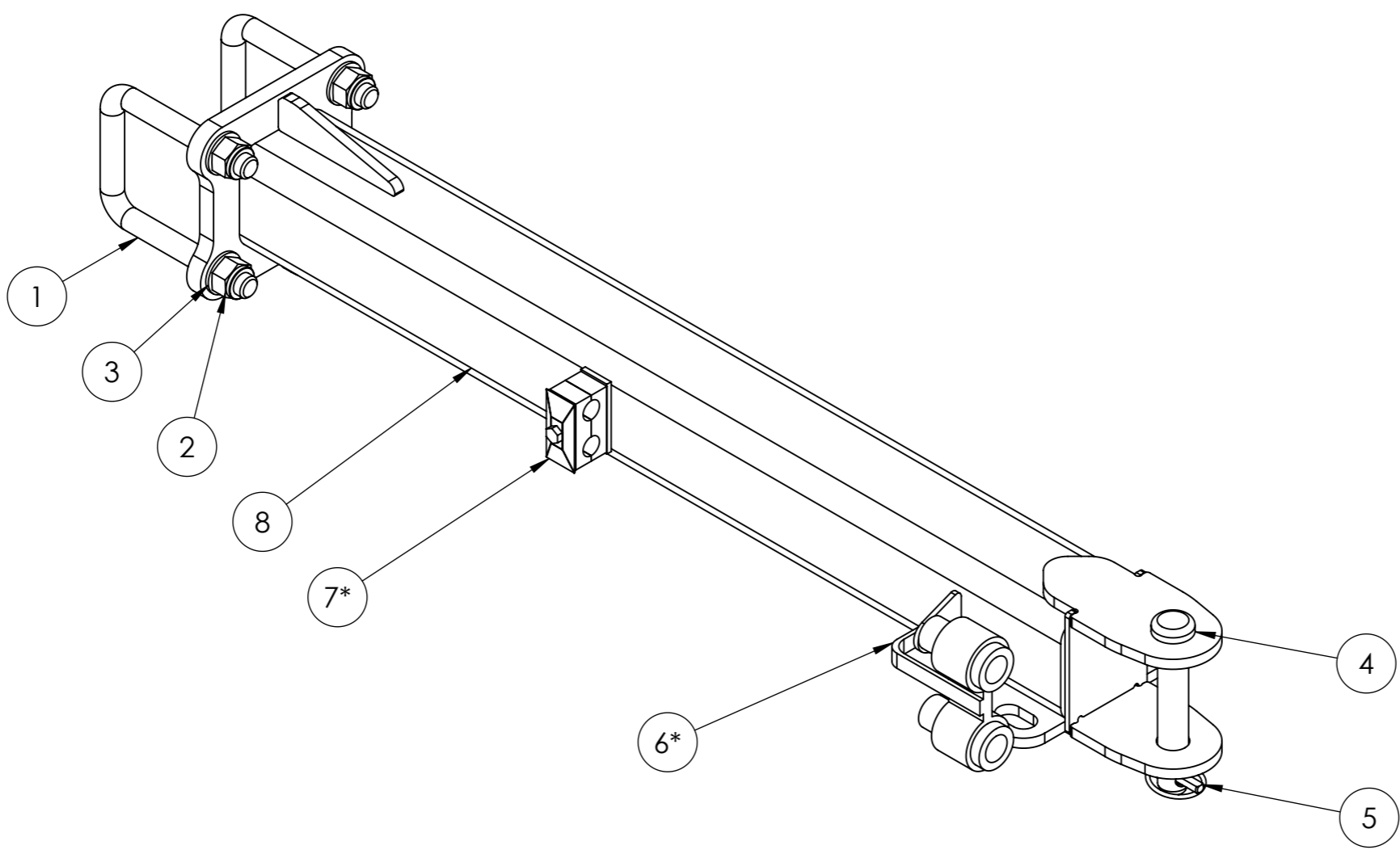
**SUPERSEDED**  
DRAWING FOR REFERENCE ONLY  
SEE 630-2036 FOR UPDATED VERSION  
FOR HYDRAULIC LINES USE 630-2028

ALSO RELATES TO  
**630-2027**

<b>AGROWFLOW</b> <small>COPYRIGHT RESERVED</small> <small>THIS DRAWING IS THE PROPERTY AGROWFLOW PTY LTD, AND IS SUBJECT TO RETURN UPON DEMAND. IT IS SUBMITTED FOR USE ONLY IN CONNECTION WITH PROPOSALS OR CONTRACTS OF THIS ORGANISATION UPON THE EXPRESS CONDITION THAT IT IS NOT TO BE USED DIRECTLY OR INDIRECTLY IN ANY WAY DETRIMENTAL TO THE INTERESTES OF AGROWFLOW PTY LTD.</small>	<b>TITLE:</b> <b>AD130 REAR TOW HITCH</b> <b>SHORT &amp; SUPERSEDED</b>	<b>PART NUMBER</b> <b>630-2015</b>
	<small>9/07/2019</small>	

ITEM NO.	PART NUMBER	DESCRIPTION	QTY.
1	130-1000	U BOLT 20MM 100X100	2
2	134-1046	M20 HEX NYLOCK NUT ZINC GR 8.8	4
3	135-3040	WASHER FLAT M20	4
4	140-0012	PIN CLEVIS 1" 136mm CAT2 LOWER	1
5	140-0039	LINCH PIN 11mm 32mm	1
6*	154-3743	HYD COUPLING KIT	1
7*	154-5011	HYD CLAMP DIA 19	1
8	630-3030	AD130 REAR TOW HITCH LONG REACH	1

\* PARTS ARE NOT SUPPLIED WITH THIS ASSEMBLY  
SEE 630-2028 REAR TOW HITCH HYDRAULIC HOSE KIT

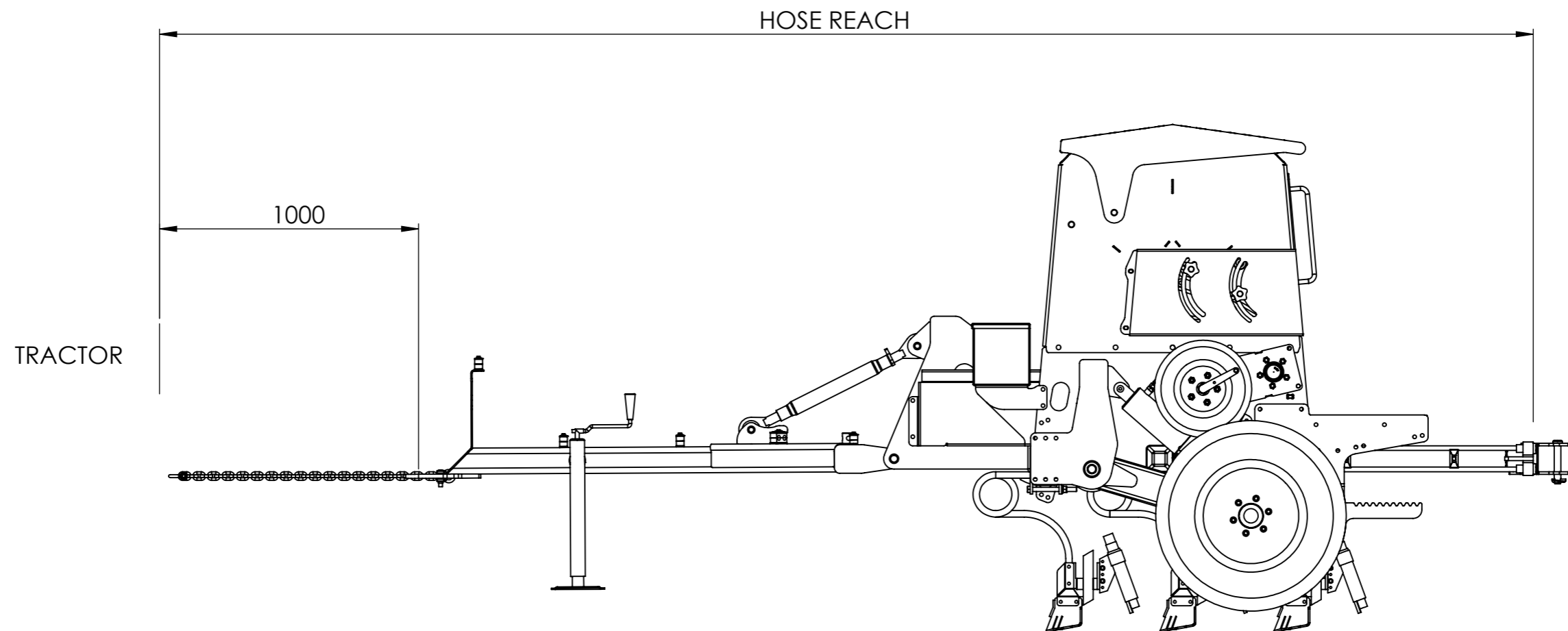


**AGROWFLOW**  
 COPYRIGHT RESERVED  
 THIS DRAWING IS THE PROPERTY AGROWFLOW PTY LTD, AND IS SUBJECT TO RETURN UPON DEMAND. IT IS SUBMITTED FOR USE ONLY IN CONNECTION WITH PROPOSALS OR CONTRACTS OF THIS ORGANISATION UPON THE EXPRESS CONDITION THAT IT IS NOT TO BE USED DIRECTLY OR INDIRECTLY IN ANY WAY DETRIMENTAL TO THE INTERESTES OF AGROWFLOW PTY LTD.

TITLE: **AD130 REAR TOW HITCH LONG REACH**  
 LAST PRINTED 15/10/2019 TOTAL MASS 34.54 Kg

PART NUMBER **630-2036**  
 SHEET: 1 OF 1 PAGE: 72





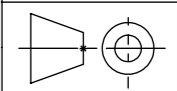
REAR TOW HYDRAULIC HOSES ARE (x2) 6030  
 3/8" HOSE FITTED WITH 3/4" JIC FEMALE CONNECTORS  
 HYDRAULIC HOSE MOUNTING BLOCKS  
 HYDRAULIC COUPLING KIT

REAR TOW HITCH WAS CHANGED.  
 THE SUPERSEDED VERSION FITTED HOSES (x2) 5620

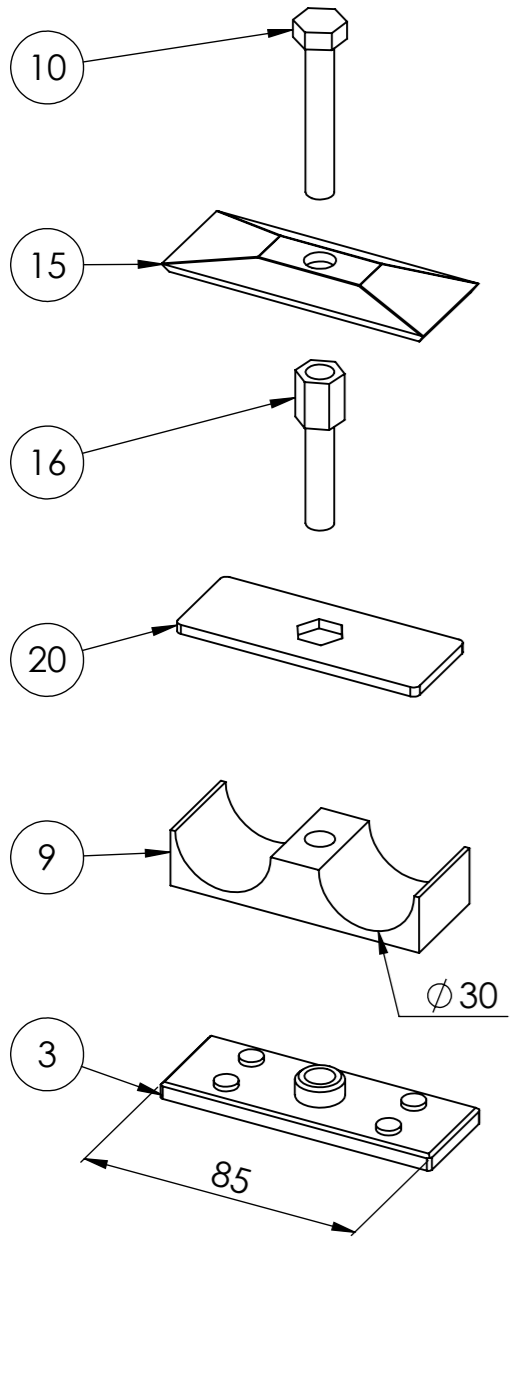
**AGROWFLOW**  
 COPYRIGHT RESERVED  
 THIS DRAWING IS THE PROPERTY AGROWFLOW PTY LTD, AND IS SUBJECT TO RETURN  
 UPON DEMAND. IT IS SUBMITTED FOR USE ONLY IN CONNECTION WITH PROPOSALS OR  
 CONTRACTS OF THIS ORGANISATION UPON THE EXPRESS CONDITION THAT IT IS NOT TO  
 BE USED DIRECTLY OR INDIRECTLY IN ANY WAY DETRIMENTAL TO THE INTERESTES OF  
 AGROWFLOW PTY LTD.

TITLE: **AD130 REAR TOW  
 HITCH HYDRAULIC  
 HOSE KIT**  
 9/07/2019

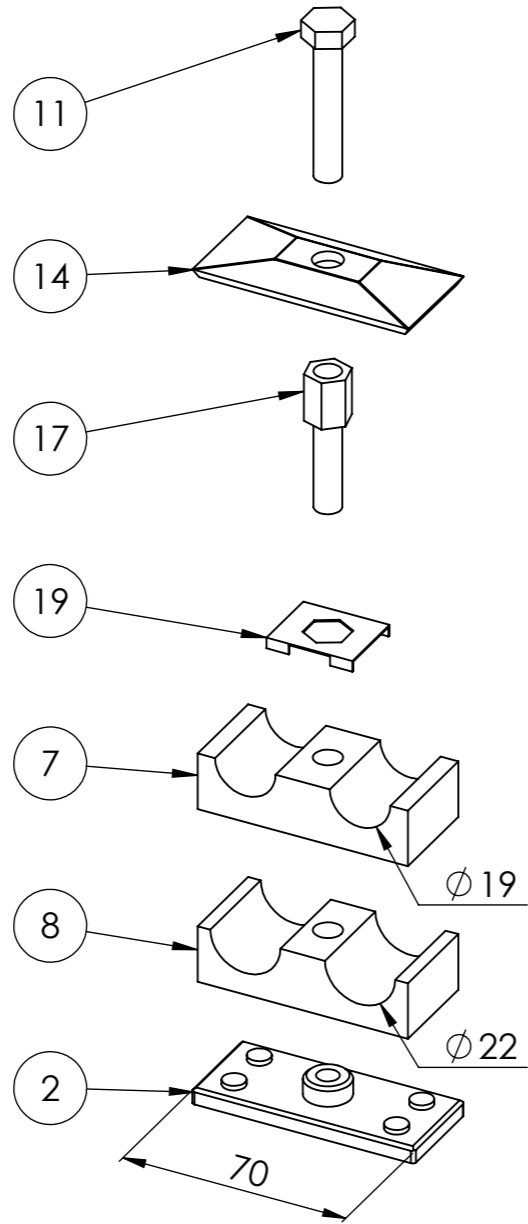
PART NUMBER  
**630-2028**  
 SHEET: PAGE:  
 1 OF 1 73



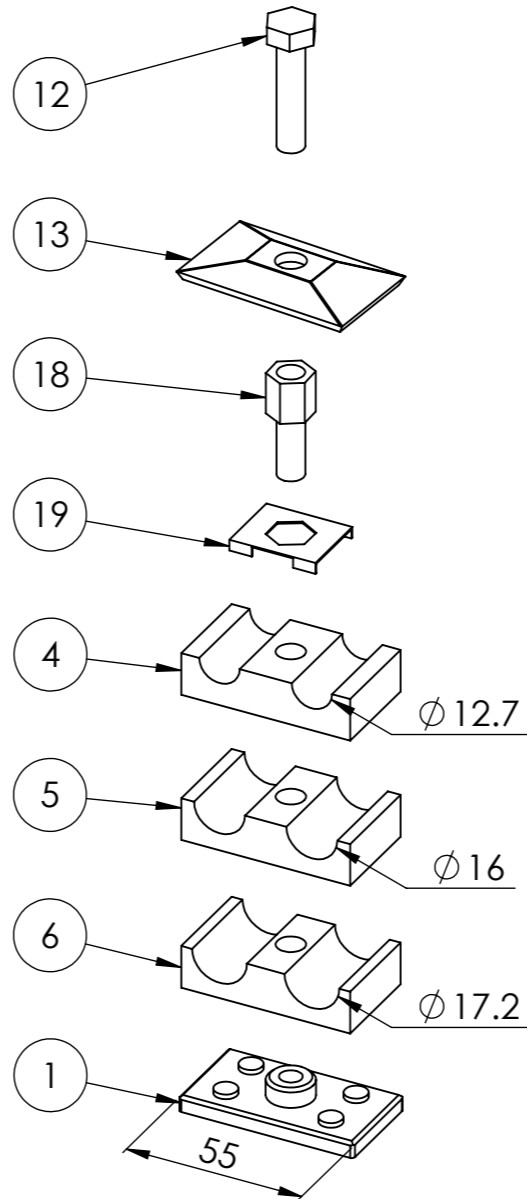
4D CLAMP COMPONENTS



3D CLAMP COMPONENTS



2D CLAMP COMPONENTS



ITEM NO.	PART NUMBER	DESCRIPTION
1	154-4156	HYD CLAMP BASE PLATE 2D
2	154-4191	HYD CLAMP BASE PLATE 3D
3	154-4194	HYD CLAMP BASE PLATE 4D
4	154-4159	HYD CLAMP BLOCK 2D 12.5mm
5	154-4155	HYD CLAMP BLOCK 2D 16mm
6	154-4170	HYD CLAMP BLOCK 2D 17.2mm
7	154-4160	HYD CLAMP BLOCK 3D 19mm
8	154-4500	HYD CLAMP BLOCK 3D 22mm
9	154-4198	HYD CLAMP BLOCK 4D 30mm
10	154-4197	HYD CLAMP BOLT 4D M8x50
11	154-4196	HYD CLAMP BOLT 3D M8x45
12	154-4157	HYD CLAMP BOLT 2D M8x35
13	154-4158	HYD CLAMP LID 2D
14	154-4167	HYD CLAMP LID 3D
15	154-4195	HYD CLAMP LID 4D
16	154-4201	HYD CLAMP BOLT STACKING 4D
17	154-4192	HYD CLAMP BOLT STACKING 3D
18	154-4203	HYD CLAMP BOLT STACKING 2D
19	154-4193	HYD CLAMP STACKING PLATE 3D and 2D
20	154-4199	HYD CLAMP STACKING PLATE 4D

HOSE OR TUBE	INTERNAL DIAMETER	OUTER DIAMETER	CLAMP SERIES	COMMON USEAGE
DUAL WEAVE HYDRAULIC HOSE	1/4"	15mm	2D	
HARDLINE METAL TUBE	5/8"	16mm	2D	SHANK HARDLINES
DUAL WEAVE 'GREEN LINE' HYDRAULIC HOSE	3/8"	17mm	2D	SHANK HOSES
DUAL WEAVE HYDRAULIC HOSE	3/8"	19mm	3D	SHANK HOSES
DUAL WEAVE HYDRAULIC HOSE	1/2"	22mm	3D	WHEEL LIFT
DUAL WEAVE HYDRAULIC HOSE	3/4"	29mm	4D	WHEEL LIFT WING LIFT

**AGROWFLOW**  
COPYRIGHT RESERVED  
 THIS DRAWING IS THE PROPERTY AGROWFLOW PTY LTD, AND IS SUBJECT TO RETURN UPON DEMAND. IT IS SUBMITTED FOR USE ONLY IN CONNECTION WITH PROPOSALS OR CONTRACTS OF THIS ORGANISATION UPON THE EXPRESS CONDITION THAT IT IS NOT TO BE USED DIRECTLY OR INDIRECTLY IN ANY WAY DETRIMENTAL TO THE INTERESTES OF AGROWFLOW PTY LTD.

TITLE: **HYDRAULIC CLAMP COMPONENTS**  
 PART NUMBER **154-0000**  
 SHEET: 1 OF 1 PAGE: 74  
 01-May-17