

AGROW PLOW[®]

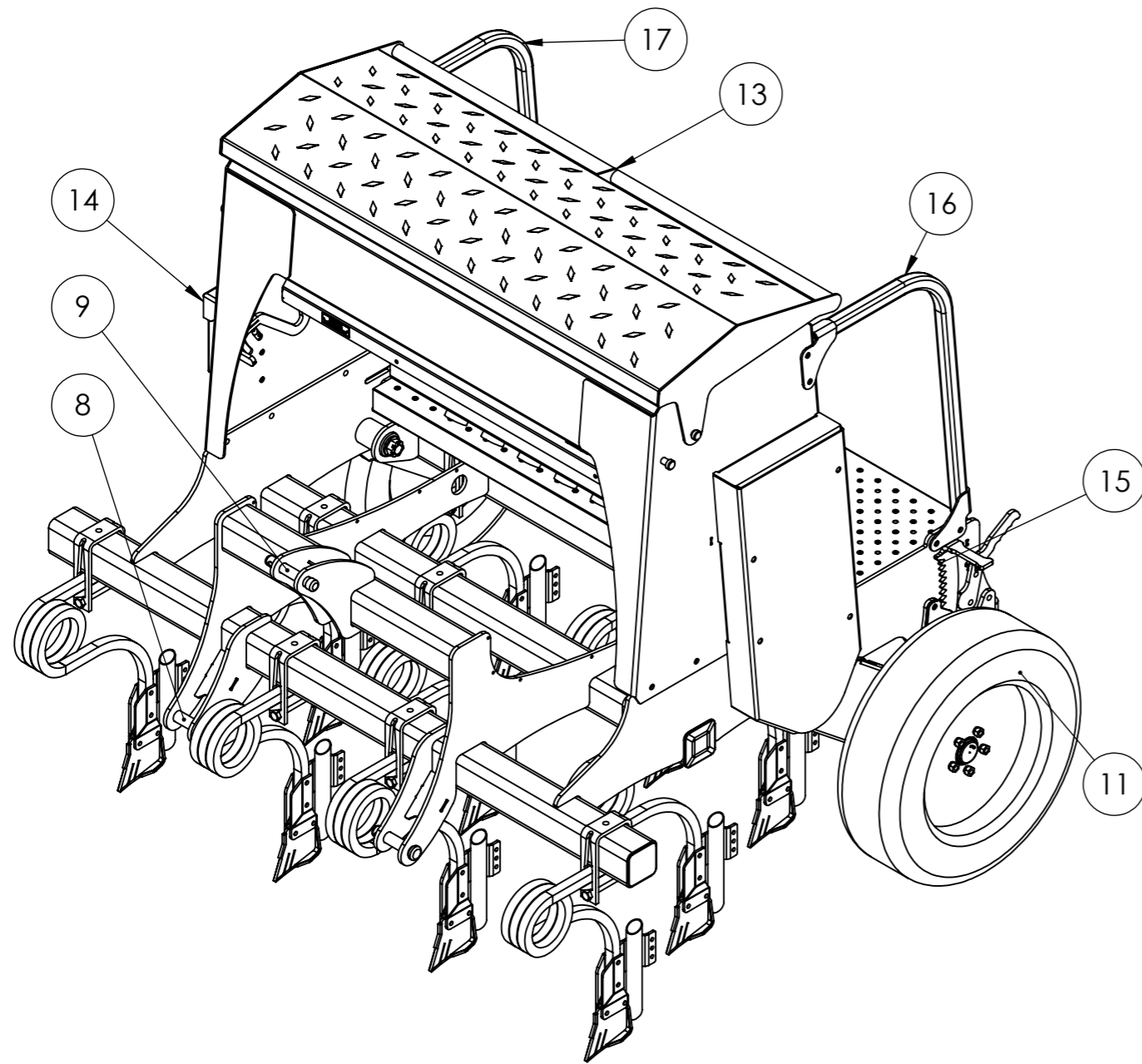
AD083 SPARE PARTS MANUAL

Rev 4

AD083 SPARE PARTS

Table of Contents

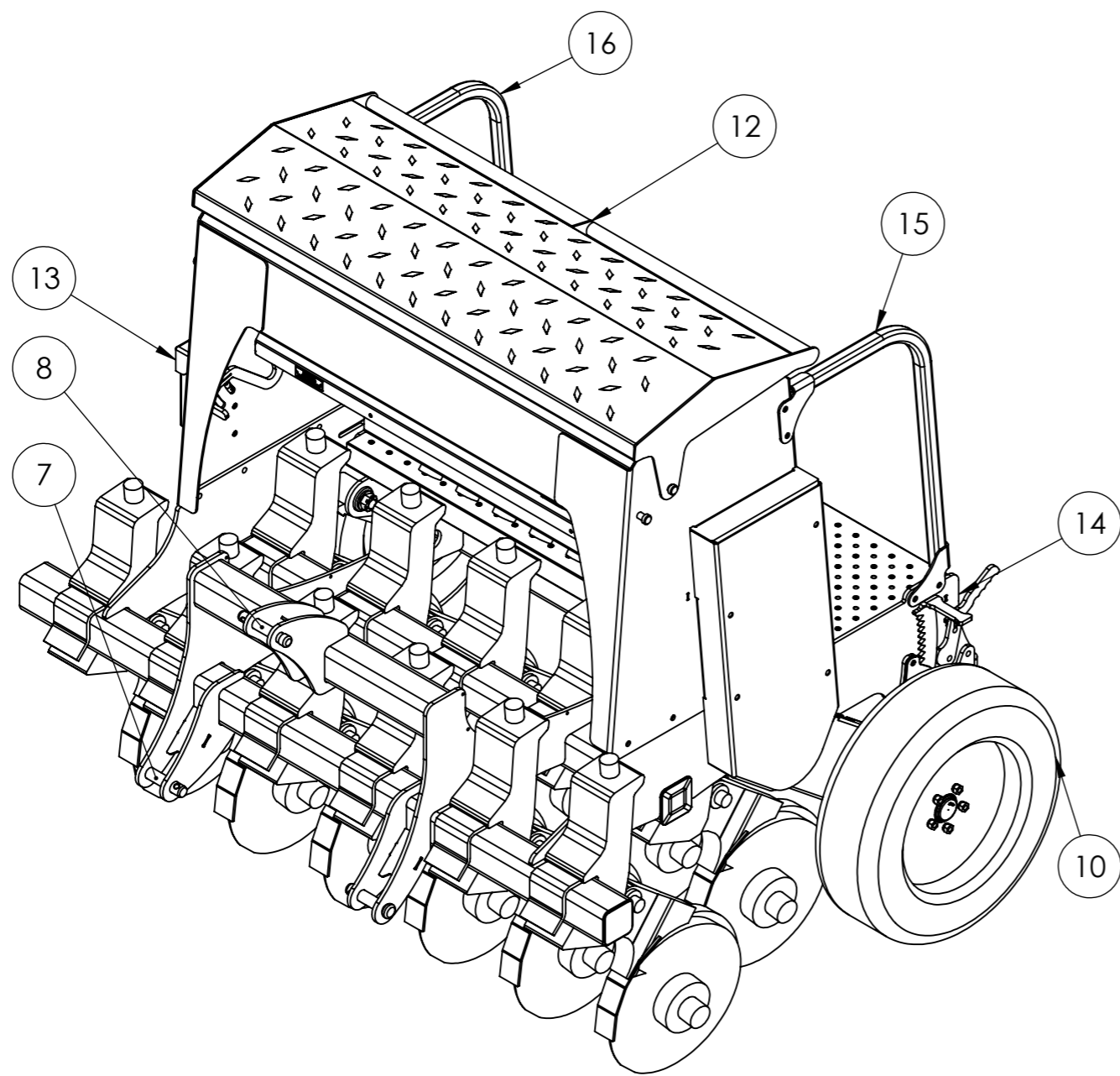
1. AD083	PAGE
• Machine Range	3
○ Detail Views	8
2. AD083 SUB ASSEMBLIES	
• Frame and Layouts	10
• Wheel Arms	25
• Hopper	32
• Toolbox	34
3. AD083 OPTIONS	
• HARROW	26
• REAR TOW HITCH	30
• ROLLERS	31



ITEM NO.	PART NUMBER	DESCRIPTION	10x175 TYNE/QTY.
1	115-4018	SPROCKET SIMPLEX 08B 15T 20mmBORE	1
2	115-4020	SPROCKET SIMPLEX 08B 21T 20mmBORE	1
3	115-4021	SPROCKET SIMPLEX 08B 14T 20mmBORE	1
4	133-4073	M20 x 75 HEX BOLT ZINC GR8.8	2
5	134-1046	M20 HEX NYLOCK NUT ZINC PLATED GR 8.8	2
6	135-3012	WASHER FLAT M12	2
7	135-3040	WASHER FLAT M20	6
8	140-0003	PIN CLEVIS 1 1/18" 105mm CAT2 LOWER	2
9	140-0004	PIN CLEVIS 1" 115mm CAT 2 TOP	1
10	140-0037	LYNCH PIN 6MM 32MM	2
11	620-2002	AD083 WHEEL ARM LEFT	1
12	620-2004	AD083 WHEEL ARM RIGHT	1
13	620-2005	AD083 11 ROW BOX	1
14	620-2008	AD083 TOOLBOX	1
15	620-2012	AD083 FRAME	1
16	620-3010	AD083 PLATFORM HAND RAIL LEFT	1
17	620-3011	AD083 PLATFORM HAND RAIL RIGHT	1
18	620-4053	CHAIN 08B	1
19	620-4058	AD083 DRIVE GUARD	1
20	620-4069	AD083 WHEEL ARM DEPTH STOP PIN	2
21	620-4076	TENSIONER 40OD 65mm	1
22	620-4082	AD083 DRIVE GUARD LID	1
23	620-4106	TENSIONER 40OD 85mm	1
24	620-4122	AD083 WHEEL ARM LOCK ARM RIGHT	1
25	620-4123	AD083 WHEEL ARM LOCK ARM LEFT	1
26	620-4124	AD083 WHEEL ARM LOCK	2
27	620-4125	AD083 WHEEL ARM LOCK SPACER	2
28	620-4126	AD083 WHEEL ARM LOCK COVER	2
29	620-4134	AD083 WHEEL ARM LOCK CAM AND HANDLE	2

**AD083 10x175 TYNE 620-1001
FOR HARROWS SEE 019-1028
FOR REAR TOW HITCH SEE 054-2003**

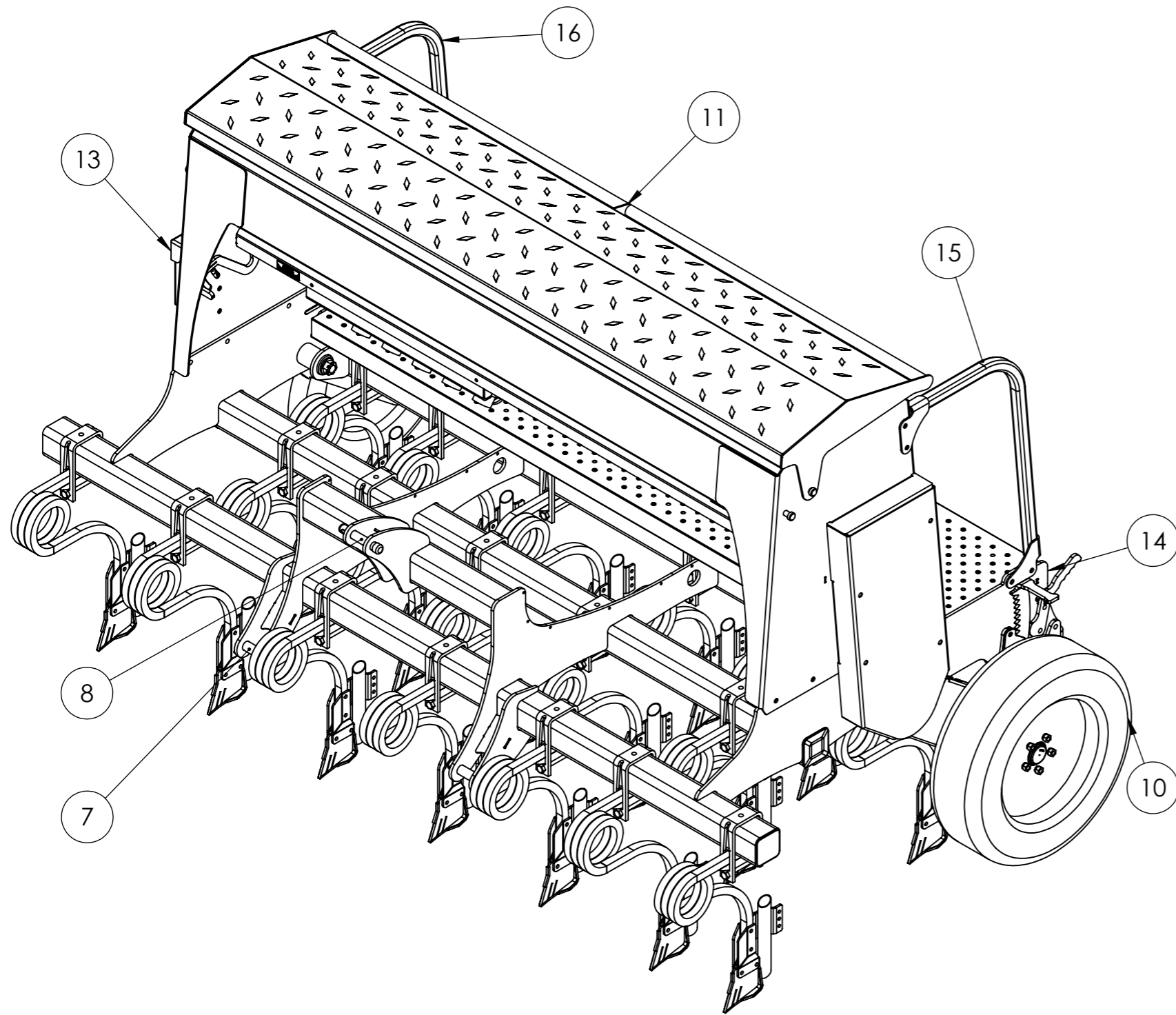
<p align="center">AGROWFLOW</p> <p align="center">COPYRIGHT RESERVED</p> <p align="center">THIS DRAWING IS THE PROPERTY AGROWFLOW PTY LTD, AND IS SUBJECT TO RETURN UPON DEMAND. IT IS SUBMITTED FOR USE ONLY IN CONNECTION WITH PROPOSALS OR CONTRACTS OF THIS ORGANISATION UPON THE EXPRESS CONDITION THAT IT IS NOT TO BE USED DIRECTLY OR INDIRECTLY IN ANY WAY DETRIMENTAL TO THE INTERESTES OF AGROWFLOW PTY LTD.</p>	<p>TITLE: AD083 SEED DRILL</p>	<p>PART NUMBER 620-1000</p>
	<p>LAST PRINTED 06-Jul-18</p>	<p>SHEET: 1 OF 4</p>



ITEM NO.	PART NUMBER	DESCRIPTION	11x159 DISC/QTY.
1	115-4020	SPROCKET SIMPLEX 08B 21T 20mmBORE	1
2	115-4021	SPROCKET SIMPLEX 08B 14T 20mmBORE	1
3	133-4073	M20 x 75 HEX BOLT ZINC GR8.8	2
4	134-1046	M20 HEX NYLOCK NUT ZINC PLATED GR 8.8	2
5	135-3012	WASHER FLAT M12	2
6	135-3040	WASHER FLAT M20	6
7	140-0003	PIN CLEVIS 1 1/18" 105mm CAT2 LOWER	2
8	140-0004	PIN CLEVIS 1" 115mm CAT 2 TOP	1
9	140-0037	LYNCH PIN 6MM 32MM	2
10	620-2002	AD083 WHEEL ARM LEFT	1
11	620-2004	AD083 WHEEL ARM RIGHT	1
12	620-2005	AD083 11 ROW BOX	1
13	620-2008	AD083 TOOLBOX	1
14	620-2013	AD083 FRAME	1
15	620-3010	AD083 PLATFORM HAND RAIL LEFT	1
16	620-3011	AD083 PLATFORM HAND RAIL RIGHT	1
17	620-4053	CHAIN 08B	1
18	620-4058	AD083 DRIVE GUARD	1
19	620-4069	AD083 WHEEL ARM DEPTH STOP PIN	2
20	620-4076	TENSIONER 40OD 65mm	1
21	620-4082	AD083 DRIVE GUARD LID	1
22	620-4106	TENSIONER 40OD 85mm	1
23	620-4122	AD083 WHEEL ARM LOCK ARM RIGHT	1
24	620-4123	AD083 WHEEL ARM LOCK ARM LEFT	1
25	620-4124	AD083 WHEEL ARM LOCK	2
26	620-4125	AD083 WHEEL ARM LOCK SPACER	2
27	620-4126	AD083 WHEEL ARM LOCK COVER	2
28	620-4134	AD083 WHEEL ARM LOCK CAM AND HANDLE	2

**AD083 11x159 DISC 620-1002
FOR HARROWS SEE 019-1028
FOR REAR TOW HITCH SEE 054-2003**

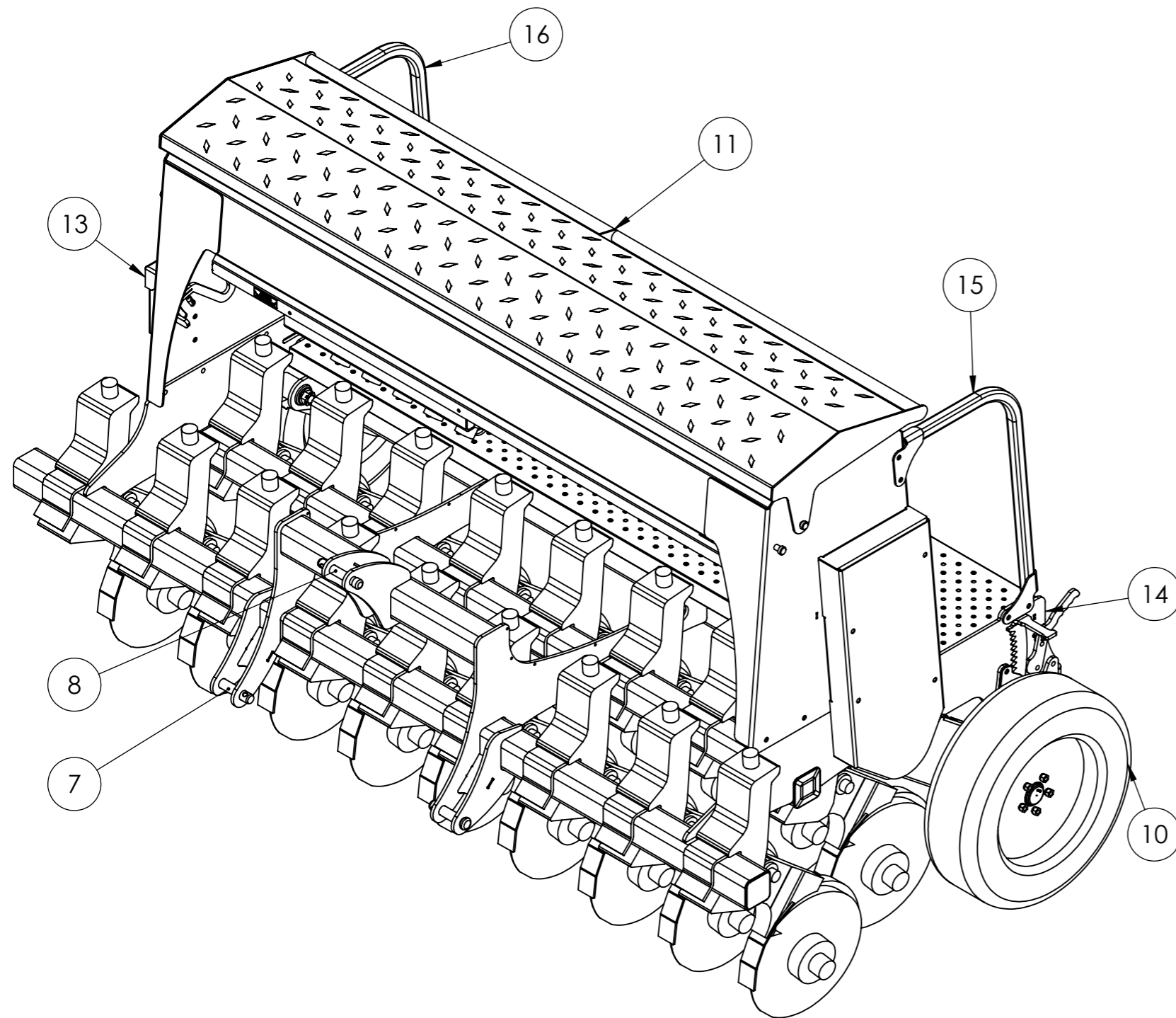
<p align="center">AGROWFLOW</p> <p align="center">COPYRIGHT RESERVED</p> <p align="center">THIS DRAWING IS THE PROPERTY AGROWFLOW PTY LTD, AND IS SUBJECT TO RETURN UPON DEMAND. IT IS SUBMITTED FOR USE ONLY IN CONNECTION WITH PROPOSALS OR CONTRACTS OF THIS ORGANISATION UPON THE EXPRESS CONDITION THAT IT IS NOT TO BE USED DIRECTLY OR INDIRECTLY IN ANY WAY DETRIMENTAL TO THE INTERESTES OF AGROWFLOW PTY LTD.</p>	<p>TITLE: AD083 SEED DRILL</p>	<p>PART NUMBER 620-1000</p>
	<p>LAST PRINTED 06-Jul-18</p>	<p>SHEET: 2 OF 4</p> <p>PAGE: 4</p>



ITEM NO.	PART NUMBER	DESCRIPTION	18x150 TYNE/QTY.
1	115-4020	SPROCKET SIMPLEX 08B 21T 20mmBORE	1
2	115-4021	SPROCKET SIMPLEX 08B 14T 20mmBORE	1
3	133-4073	M20 x 75 HEX BOLT ZINC GR8.8	2
4	134-1046	M20 HEX NYLOCK NUT ZINC PLATED GR 8.8	2
5	135-3012	WASHER FLAT M12	2
6	135-3040	WASHER FLAT M20	6
7	140-0003	PIN CLEVIS 1 1/18" 105mm CAT2 LOWER	2
8	140-0004	PIN CLEVIS 1" 115mm CAT 2 TOP	1
9	140-0037	LYNCH PIN 6MM 32MM	2
10	620-2002	AD083 WHEEL ARM LEFT	1
11	620-2003	AD083 18 ROW BOX	1
12	620-2004	AD083 WHEEL ARM RIGHT	1
13	620-2008	AD083 TOOLBOX	1
14	620-2010	AD083 FRAME	1
15	620-3010	AD083 PLATFORM HAND RAIL LEFT	1
16	620-3011	AD083 PLATFORM HAND RAIL RIGHT	1
17	620-4050	CHAIN 08B	1
18	620-4053	CHAIN 08B	1
19	620-4058	AD083 DRIVE GUARD	1
20	620-4069	AD083 WHEEL ARM DEPTH STOP PIN	2
21	620-4076	TENSIONER 40OD 65mm	1
22	620-4082	AD083 DRIVE GUARD LID	1
23	620-4106	TENSIONER 40OD 85mm	1
24	620-4122	AD083 WHEEL ARM LOCK ARM RIGHT	1
25	620-4123	AD083 WHEEL ARM LOCK ARM LEFT	1
26	620-4124	AD083 WHEEL ARM LOCK	2
27	620-4125	AD083 WHEEL ARM LOCK SPACER	2
28	620-4126	AD083 WHEEL ARM LOCK COVER	2
29	620-4134	AD083 WHEEL ARM LOCK CAM AND HANDLE	2
30	630-4129	SPROCKET SIMPLEX 08B 18T 20mmBORE	1

**AD083 18x150 TYNE 620-1003
 FOR HARROWS SEE 019-1027
 FOR REAR TOW HITCH SEE 054-2003**

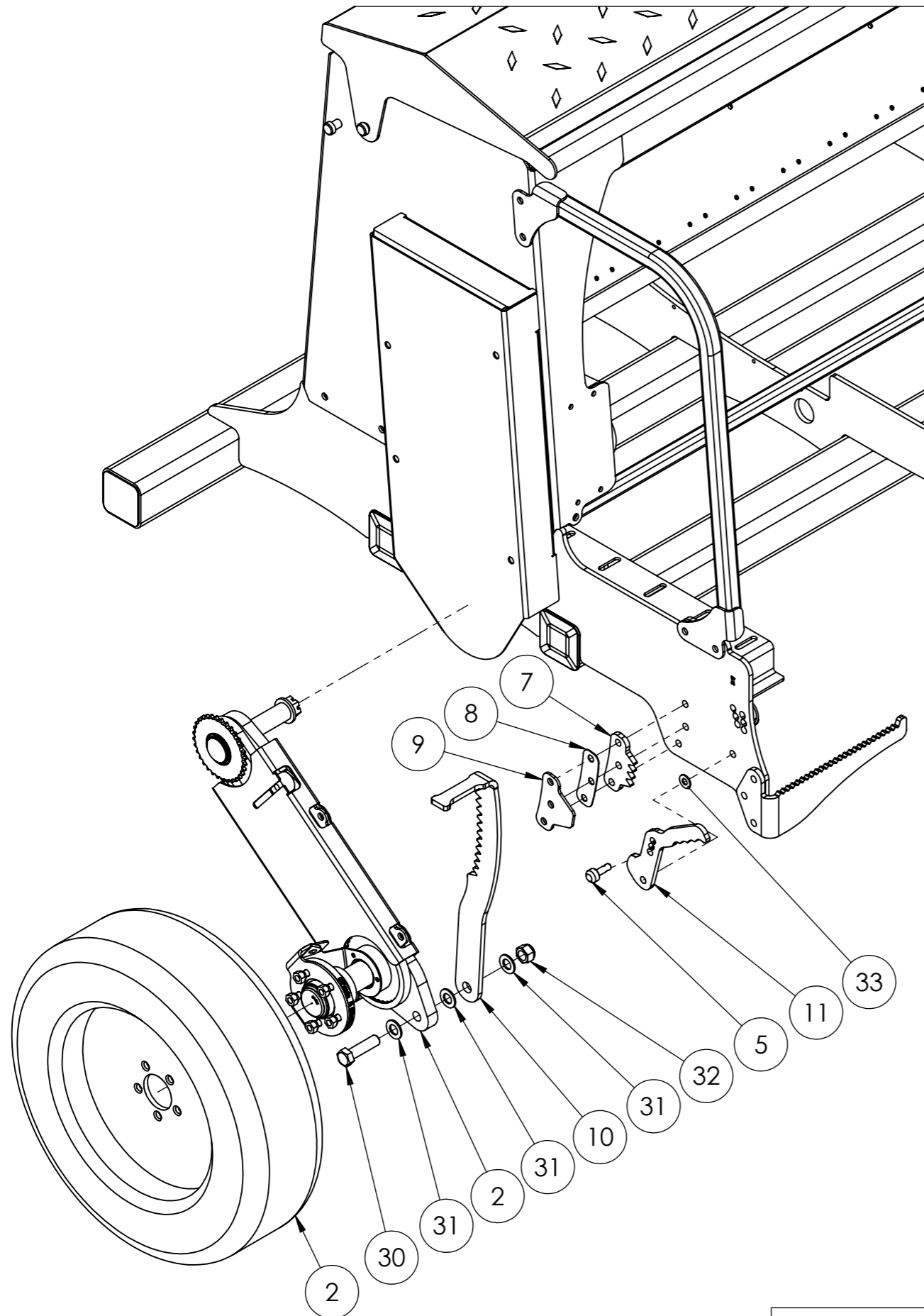
AGROWFLOW <small>COPYRIGHT RESERVED THIS DRAWING IS THE PROPERTY AGROWFLOW PTY LTD, AND IS SUBJECT TO RETURN UPON DEMAND. IT IS SUBMITTED FOR USE ONLY IN CONNECTION WITH PROPOSALS OR CONTRACTS OF THIS ORGANISATION UPON THE EXPRESS CONDITION THAT IT IS NOT TO BE USED DIRECTLY OR INDIRECTLY IN ANY WAY DETRIMENTAL TO THE INTERESTES OF AGROWFLOW PTY LTD.</small>	TITLE: AD083 SEED DRILL	PART NUMBER 620-1000
	LAST PRINTED 06-Jul-18	SHEET: 3 OF 4



ITEM NO.	PART NUMBER	DESCRIPTION	17x159 DISC/QTY.
1	115-4020	SPROCKET SIMPLEX 08B 21T 20mmBORE	1
2	115-4021	SPROCKET SIMPLEX 08B 14T 20mmBORE	1
3	133-4073	M20 x 75 HEX BOLT ZINC GR8.8	2
4	134-1046	M20 HEX NYLOCK NUT ZINC PLATED GR 8.8	2
5	135-3012	WASHER FLAT M12	2
6	135-3040	WASHER FLAT M20	6
7	140-0003	PIN CLEVIS 1 1/18" 105mm CAT2 LOWER	2
8	140-0004	PIN CLEVIS 1" 115mm CAT 2 TOP	1
9	140-0037	LYNCH PIN 6MM 32MM	2
10	620-2002	AD083 WHEEL ARM LEFT	1
11	620-2003	AD083 18 ROW BOX	1
12	620-2004	AD083 WHEEL ARM RIGHT	1
13	620-2008	AD083 TOOLBOX	1
14	620-2011	AD083 FRAME	1
15	620-3010	AD083 PLATFORM HAND RAIL LEFT	1
16	620-3011	AD083 PLATFORM HAND RAIL RIGHT	1
17	620-4053	CHAIN 08B	1
18	620-4058	AD083 DRIVE GUARD	1
19	620-4069	AD083 WHEEL ARM DEPTH STOP PIN	2
20	620-4076	TENSIONER 40OD 65mm	1
21	620-4082	AD083 DRIVE GUARD LID	1
22	620-4106	TENSIONER 40OD 85mm	1
23	620-4116	SPROCKET SIMPLEX 08B 17T 20mm BORE	1
24	620-4122	AD083 WHEEL ARM LOCK ARM RIGHT	1
25	620-4123	AD083 WHEEL ARM LOCK ARM LEFT	1
26	620-4124	AD083 WHEEL ARM LOCK	2
27	620-4125	AD083 WHEEL ARM LOCK SPACER	2
28	620-4126	AD083 WHEEL ARM LOCK COVER	2
29	620-4134	AD083 WHEEL ARM LOCK CAM AND HANDLE	2

**AD083 17x159 DISC 620-1004
FOR HARROWS SEE 019-1027
FOR REAR TOW HITCH SEE 054-2003**

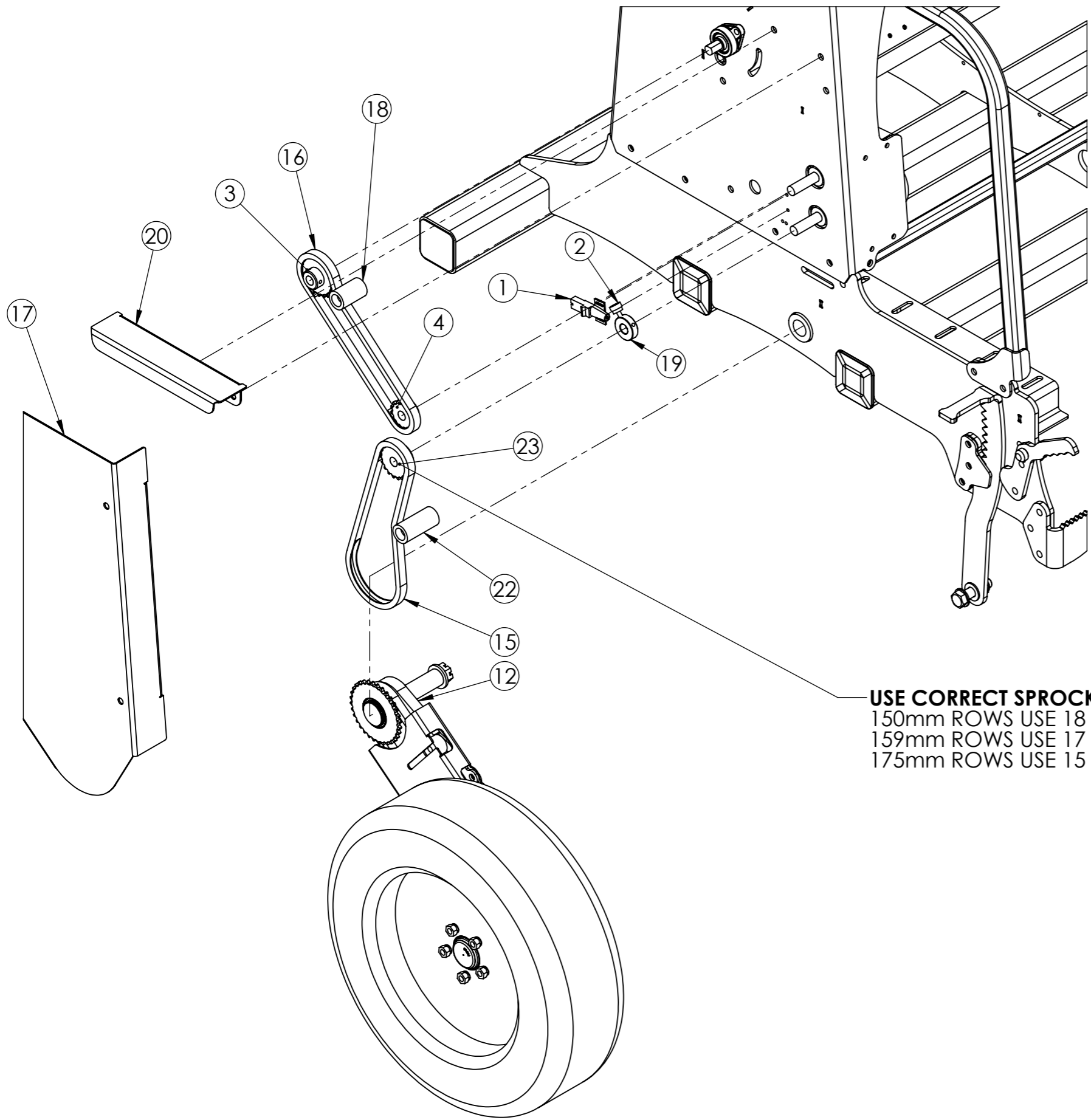
<p align="center">AGROWFLOW</p> <p align="center">COPYRIGHT RESERVED</p> <p align="center">THIS DRAWING IS THE PROPERTY AGROWFLOW PTY LTD, AND IS SUBJECT TO RETURN UPON DEMAND. IT IS SUBMITTED FOR USE ONLY IN CONNECTION WITH PROPOSALS OR CONTRACTS OF THIS ORGANISATION UPON THE EXPRESS CONDITION THAT IT IS NOT TO BE USED DIRECTLY OR INDIRECTLY IN ANY WAY DETRIMENTAL TO THE INTERESTES OF AGROWFLOW PTY LTD.</p>	<p>TITLE: AD083 SEED DRILL</p>	<p>PART NUMBER 620-1000</p>
	<p>LAST PRINTED 06-Jul-18</p>	<p>SHEET: 4 OF 4</p> <p>PAGE: 6</p>



ITEM NO.	PART NUMBER	DESCRIPTION	Default/ QTY.
2	620-2002	AD083 WHEEL ARM LEFT	1
5	620-4069	AD083 WHEEL ARM DEPTH STOP PIN	2
7	620-4124	AD083 WHEEL ARM LOCK	2
8	620-4125	AD083 WHEEL ARM LOCK SPACER	2
9	620-4126	AD083 WHEEL ARM LOCK COVER	2
10	620-4123	WHEEL ARM LOCKING ARM LEFT	1
11	620-4134	AD083 WHEEL ARM LOCK CAM AND HANDLE	2
30	133-4073	M20 x 75 HEX BOLT ZINC GR8.8	2
31	135-3040	WASHER FLAT M20	6
32	134-1046	M20 HEX NYLOCK NUT ZINC PLATED GR 8.8	2
33	135-3012	WASHER FLAT M12	2

WHEEL ARM LOCK EXPLODED VIEW

<p>AGROWFLOW</p> <p><small>COPYRIGHT RESERVED</small></p> <p><small>THIS DRAWING IS THE PROPERTY AGROWFLOW PTY LTD, AND IS SUBJECT TO RETURN UPON DEMAND. IT IS SUBMITTED FOR USE ONLY IN CONNECTION WITH PROPOSALS OR CONTRACTS OF THIS ORGANISATION UPON THE EXPRESS CONDITION THAT IT IS NOT TO BE USED DIRECTLY OR INDIRECTLY IN ANY WAY DETRIMENTAL TO THE INTERESTES OF AGROWFLOW PTY LTD.</small></p>	<p>TITLE:</p> <p>AD083 ASSEMBLY EXPLODED VIEWS</p>	<p>PART NUMBER</p> <p>620-1010</p>
	<p>06-Jul-18</p>	<p>SHEET: PAGE:</p> <p>1 OF 3 7</p>



USE CORRECT SPROCKET TO SUIT ROW SPACING
 150mm ROWS USE 18 TOOTH SPROCKET 630-4129
 159mm ROWS USE 17 TOOTH SPROCKET 620-4116
 175mm ROWS USE 15 TOOTH SPROCKET 115-4018

ITEM NO.	PART NUMBER	DESCRIPTION	Default/ QTY.
1	114-4063*	ACRE METRE SENSOR	1
2	114-4184*	ACRE METRE MAGNET	1
3	115-4020	SPROCKET SIMPLEX 08B 21T 20mmBORE	1
4	115-4021	SPROCKET SIMPLEX 08B 14T 20mmBORE	1
12	620-2002	AD083 WHEEL ARM LEFT	1
15	620-4050	CHAIN 08B	1
16	620-4053	CHAIN 08B	1
17	620-4058	AD083 DRIVE GUARD	1
18	620-4076	TENSIONER 40OD 65mm	1
19	620-4081*	AD083 SENSOR MOUNT	1
20	620-4082	AD083 DRIVE GUARD LID	1
22	620-4106	TENSIONER 40OD 85mm	1
23	630-4129	18 TOOTH TO SUIT 150mm ROWS	1
	620-4116	17 TOOTH TO SUIT 159mm ROWS	
	115-4018	15 TOOTH TO SUIT 175mm ROWS	

* OPTIONAL ITEMS SPECIFIC TO THE ACRE METER

DRIVE ASSEMBLY EXPLODED VIEW

AGROWFLOW <small>COPYRIGHT RESERVED THIS DRAWING IS THE PROPERTY AGROWFLOW PTY LTD, AND IS SUBJECT TO RETURN UPON DEMAND. IT IS SUBMITTED FOR USE ONLY IN CONNECTION WITH PROPOSALS OR CONTRACTS OF THIS ORGANISATION UPON THE EXPRESS CONDITION THAT IT IS NOT TO BE USED DIRECTLY OR INDIRECTLY IN ANY WAY DETRIMENTAL TO THE INTERESTES OF AGROWFLOW PTY LTD.</small>	TITLE: AD083 ASSEMBLY EXPLODED VIEWS	PART NUMBER 620-1010
	LAST PRINTED 06-Jul-18	SHEET: 2 OF 3

BUSH SECURED HARD UP AGAINST BEARING
 HEX BAR SHOULD JUST POKE THROUGH SPROCKET

TOOTH COUNT ON SPROCKET VARIES DEPENDING
 ON ROW SPACING
 SPROCKET TO BE IN LINE WITH CHAIN

SPROCKET ALIGNED TO WHEEL ARM SPROCKET FACE
 SHOULD BE FLUSH WITH END OF VARIBOX INPUT SHAFT

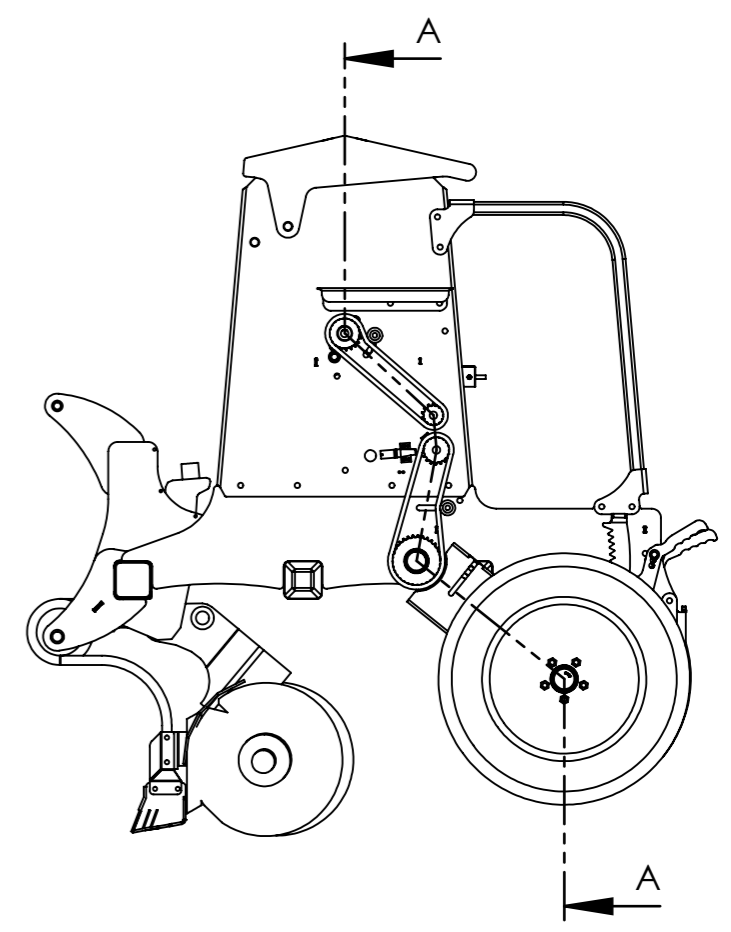
SPROCKET ALIGNED BY MOUNTING SHAFT

SPROCKET ALIGNED BY MOUNTING SHAFT

(27.3)

(43)
 FROM BACK OF SPROCKET TO FACE OF VARIBOX

SECTION A-A



NOTE:
 SPROCKETS ARE SECURED WITH SERRATED GRUB SCREWS
 GRUB SCREW SIZES INCLUDE M6x10 AND M8x12

SPROCKET AND CHAIN SECTION VIEW

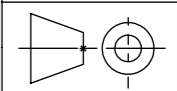
AGROWFLOW
 COPYRIGHT RESERVED
 THIS DRAWING IS THE PROPERTY AGROWFLOW PTY LTD, AND IS SUBJECT TO RETURN
 UPON DEMAND. IT IS SUBMITTED FOR USE ONLY IN CONNECTION WITH PROPOSALS OR
 CONTRACTS OF THIS ORGANISATION UPON THE EXPRESS CONDITION THAT IT IS NOT TO
 BE USED DIRECTLY OR INDIRECTLY IN ANY WAY DETRIMENTAL TO THE INTERESTES OF
 AGROWFLOW PTY LTD.

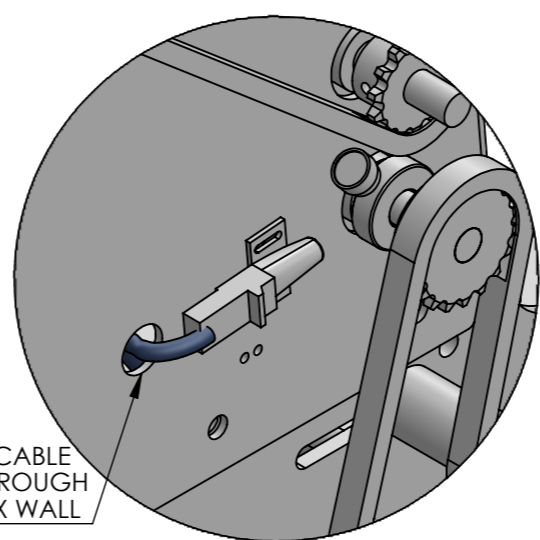
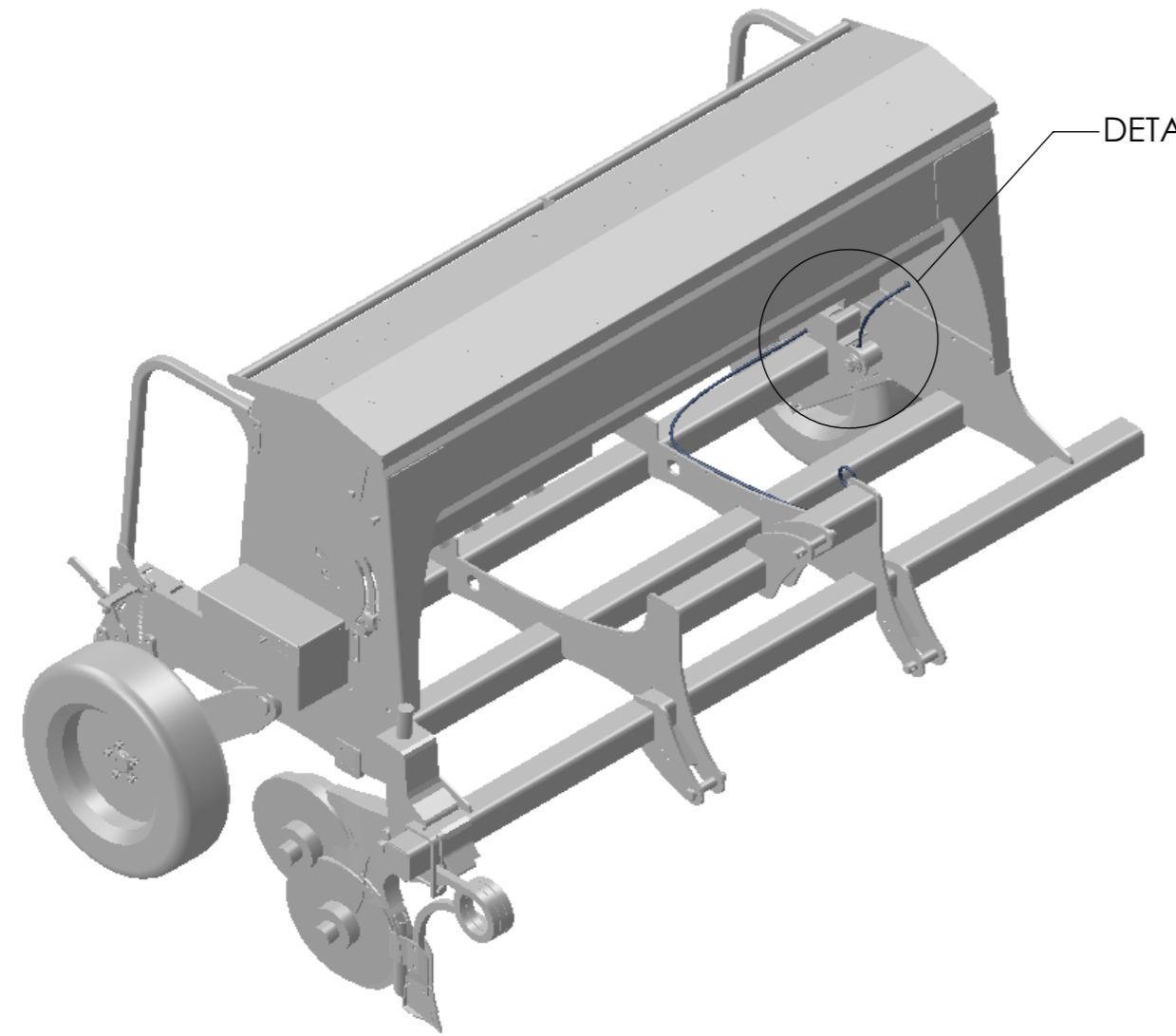
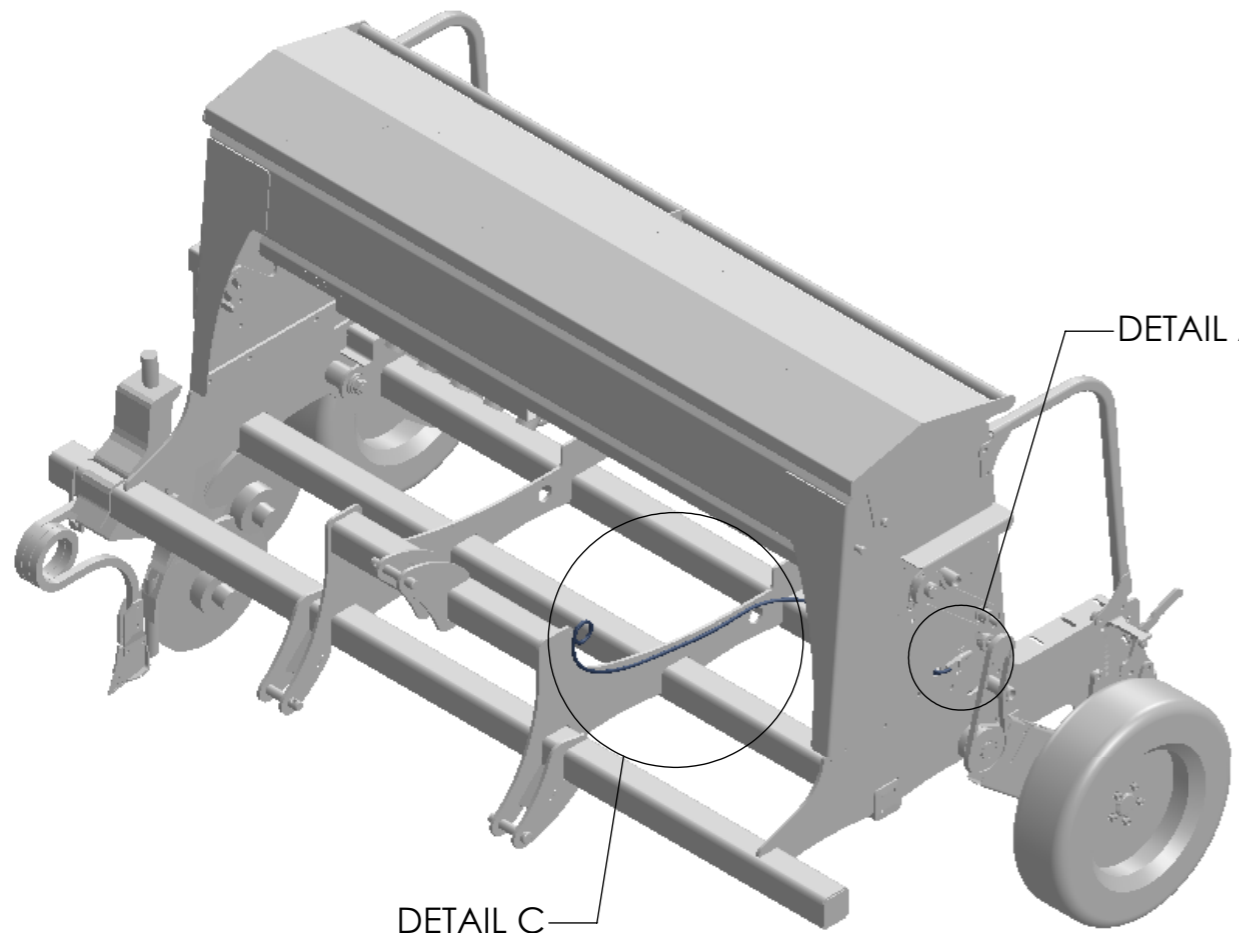
TITLE:
**AD083 ASSEMBLY
 EXPLODED VIEWS**

PART NUMBER
620-1010

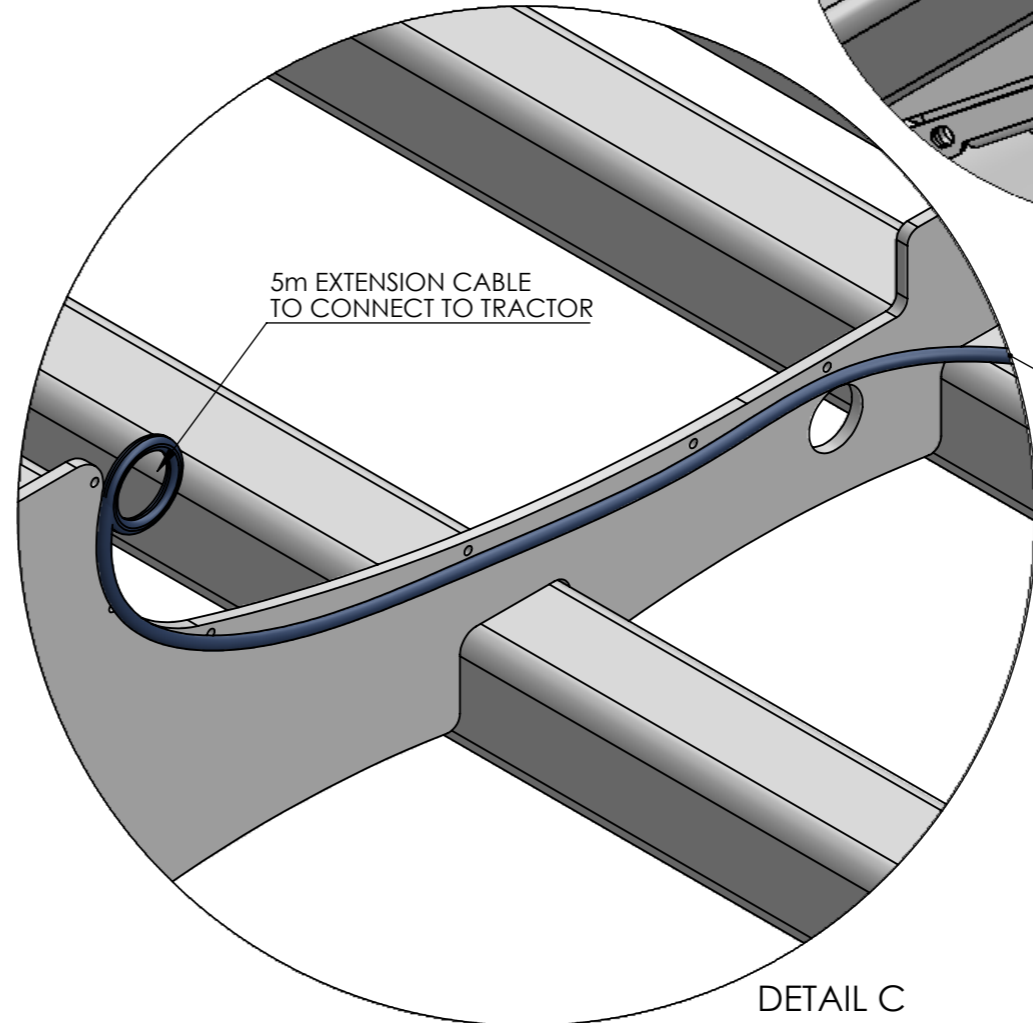
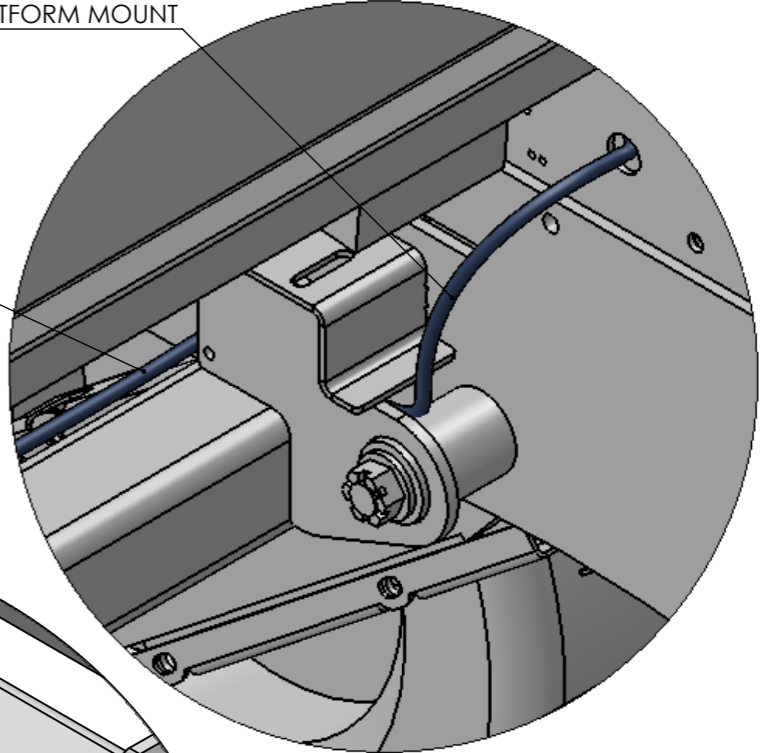
SHEET: PAGE:
 3 OF 3 **9**

06-Jul-18





SENSOR CABLE GOES UNDER PLATFORM MOUNT



PARTS SUPPLIED WITH OPTIONAL ACRE METER
 114-3023 - FARMSCAN JACKAL KIT
 114-4100 - FARMSCAN 5m EXTENSION CABLE

OTHER COMPONENTS AND SPARE PARTS
 114-4130 - FARMSCAN 2m EXTENSION CABLE
 114-4064 - FARMSCAN MAGNET
 114-4035 - FARMSCAN SENSOR

AGROWFLOW
 COPYRIGHT RESERVED
 THIS DRAWING IS THE PROPERTY AGROWFLOW PTY LTD, AND IS SUBJECT TO RETURN UPON DEMAND. IT IS SUBMITTED FOR USE ONLY IN CONNECTION WITH PROPOSALS OR CONTRACTS OF THIS ORGANISATION UPON THE EXPRESS CONDITION THAT IT IS NOT TO BE USED DIRECTLY OR INDIRECTLY IN ANY WAY DETRIMENTAL TO THE INTERESTES OF AGROWFLOW PTY LTD.

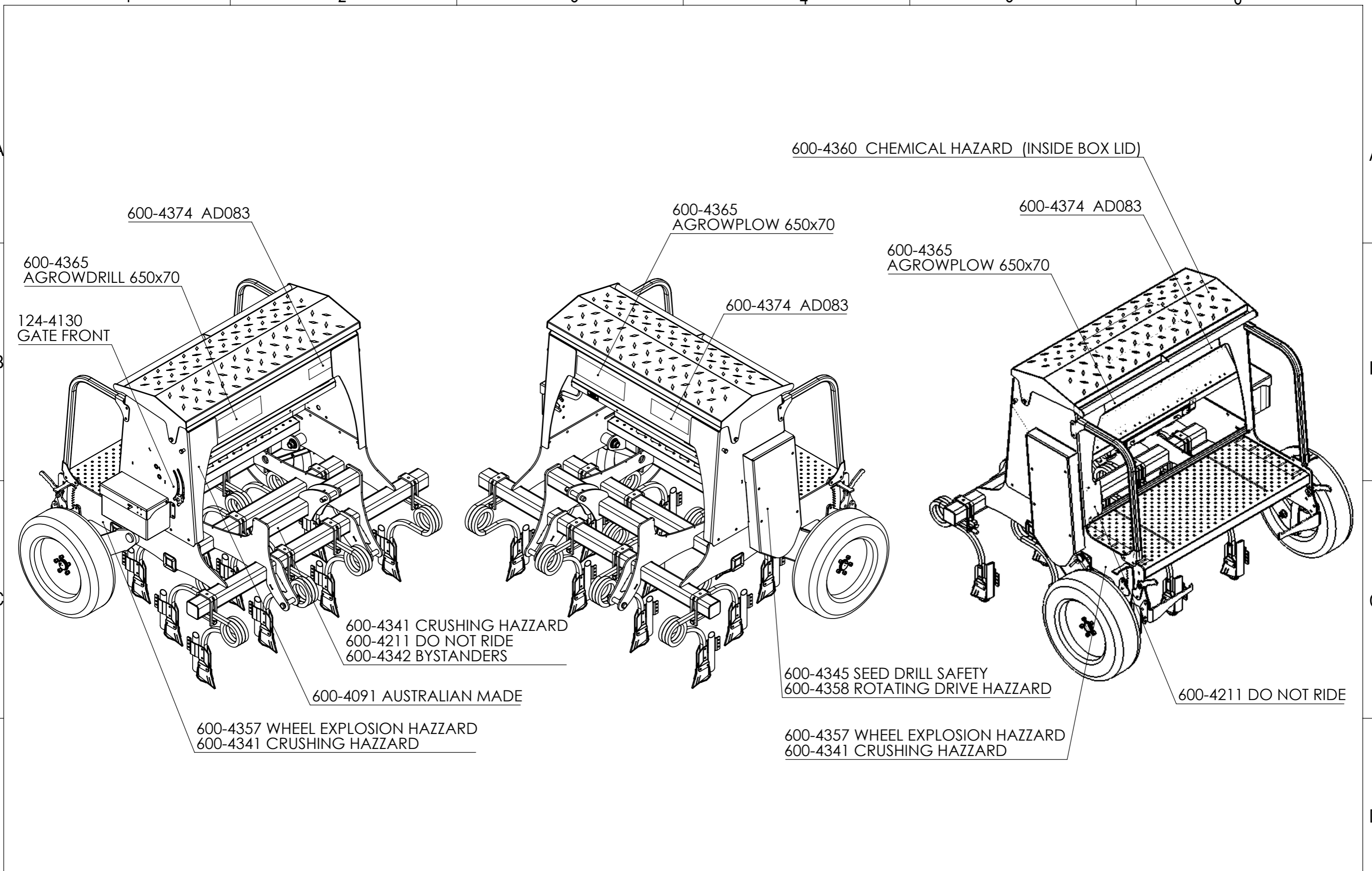
TITLE:
**AD083 ACRE METRE
 SENSOR CABLE PATH**
 LAST PRINTED 21-May-18

PART NUMBER
620-1011
 SHEET: 1 OF 1
 PAGE: **10**

A
B
C
D

A
B
C
D

1 2 3 4 5 6



AGROWFLOW

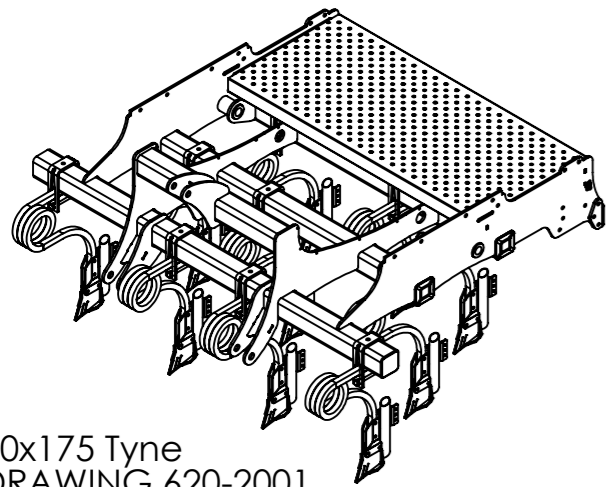
COPYRIGHT RESERVED
 THIS DRAWING IS THE PROPERTY AGROWFLOW PTY LTD, AND IS SUBJECT TO RETURN UPON DEMAND. IT IS SUBMITTED FOR USE ONLY IN CONNECTION WITH PROPOSALS OR CONTRACTS OF THIS ORGANISATION UPON THE EXPRESS CONDITION THAT IT IS NOT TO BE USED DIRECTLY OR INDIRECTLY IN ANY WAY DETRIMENTAL TO THE INTERESTES OF AGROWFLOW PTY LTD.

TITLE: **AD083 DECAL KIT**

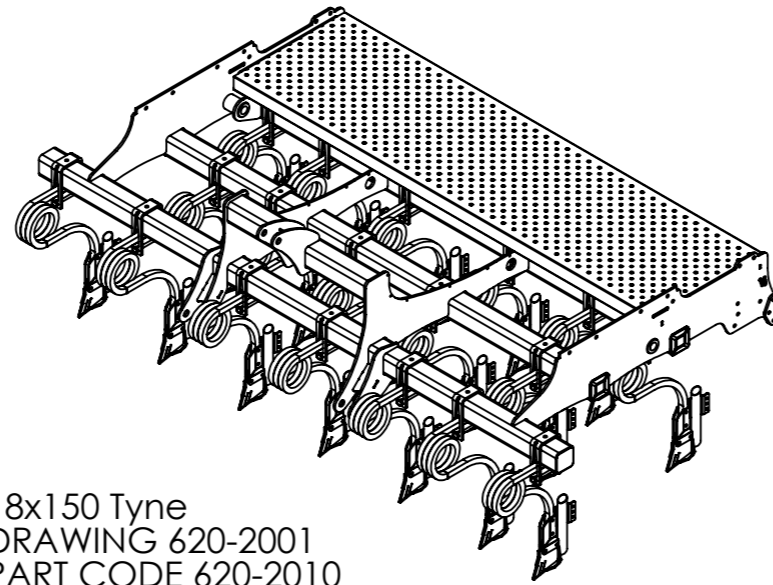
PART NUMBER
620-1200

SHEET: PAGE:
 1 OF 1 **11**

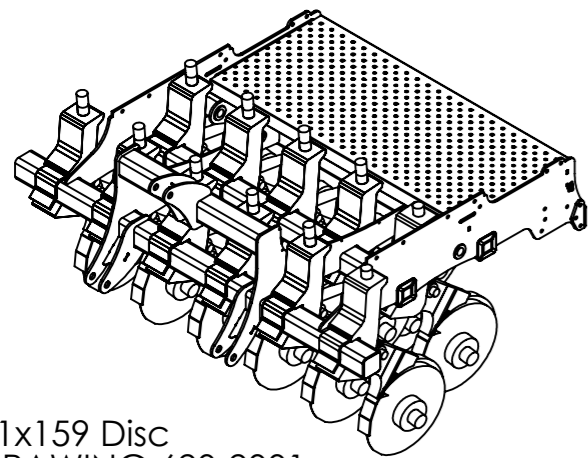
LAST PRINTED 06-Jul-18



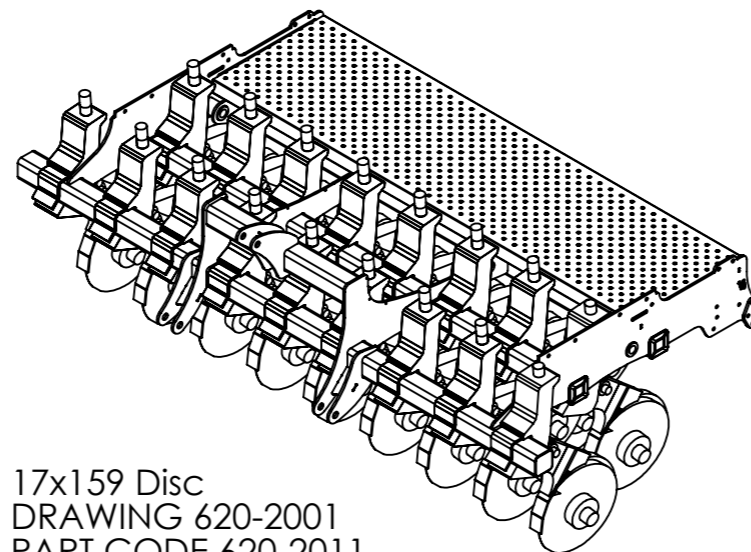
10x175 Tye
DRAWING 620-2001
PART CODE 620-2012



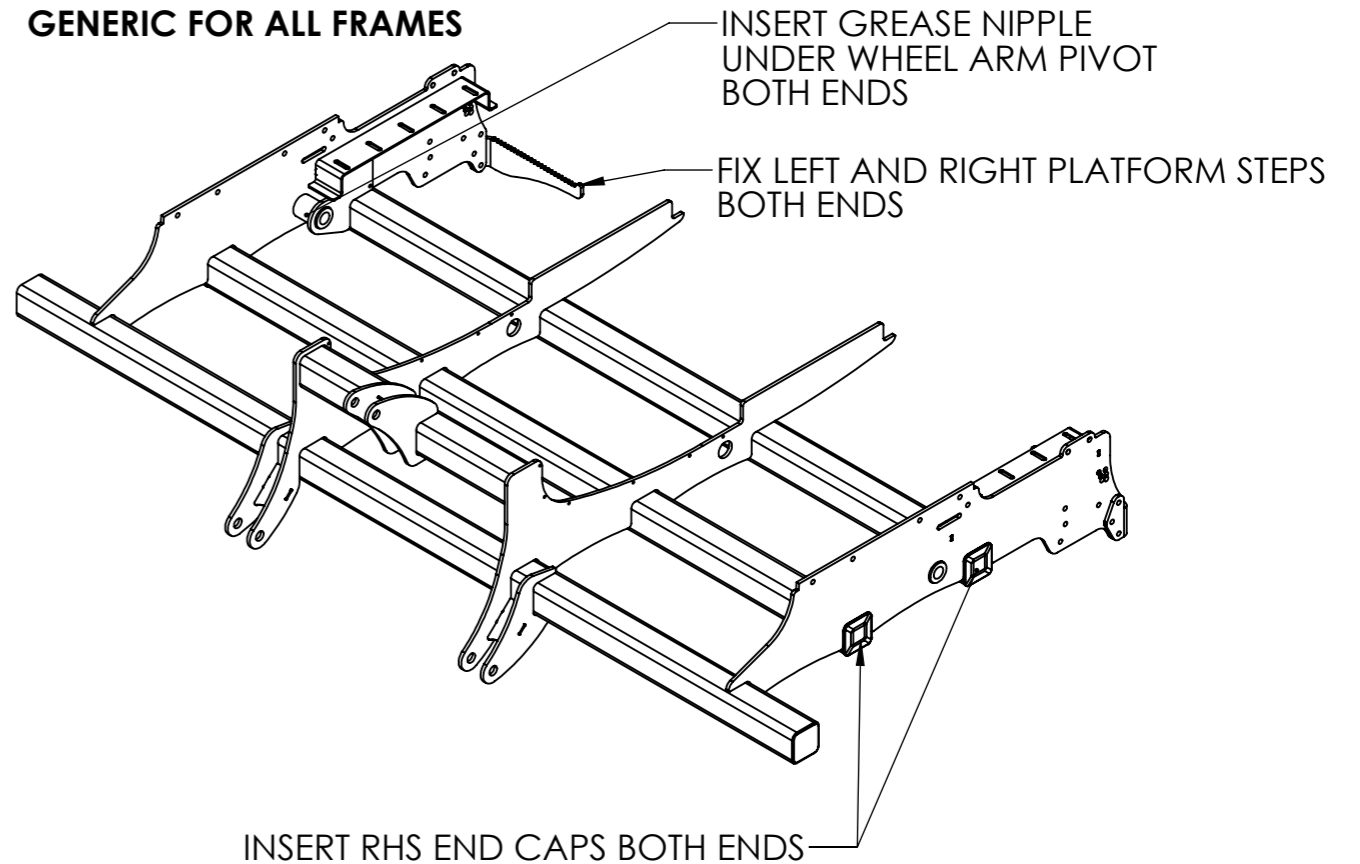
18x150 Tye
DRAWING 620-2001
PART CODE 620-2010



11x159 Disc
DRAWING 620-2001
PART CODE 620-2013
USES 10 ROW FRAME



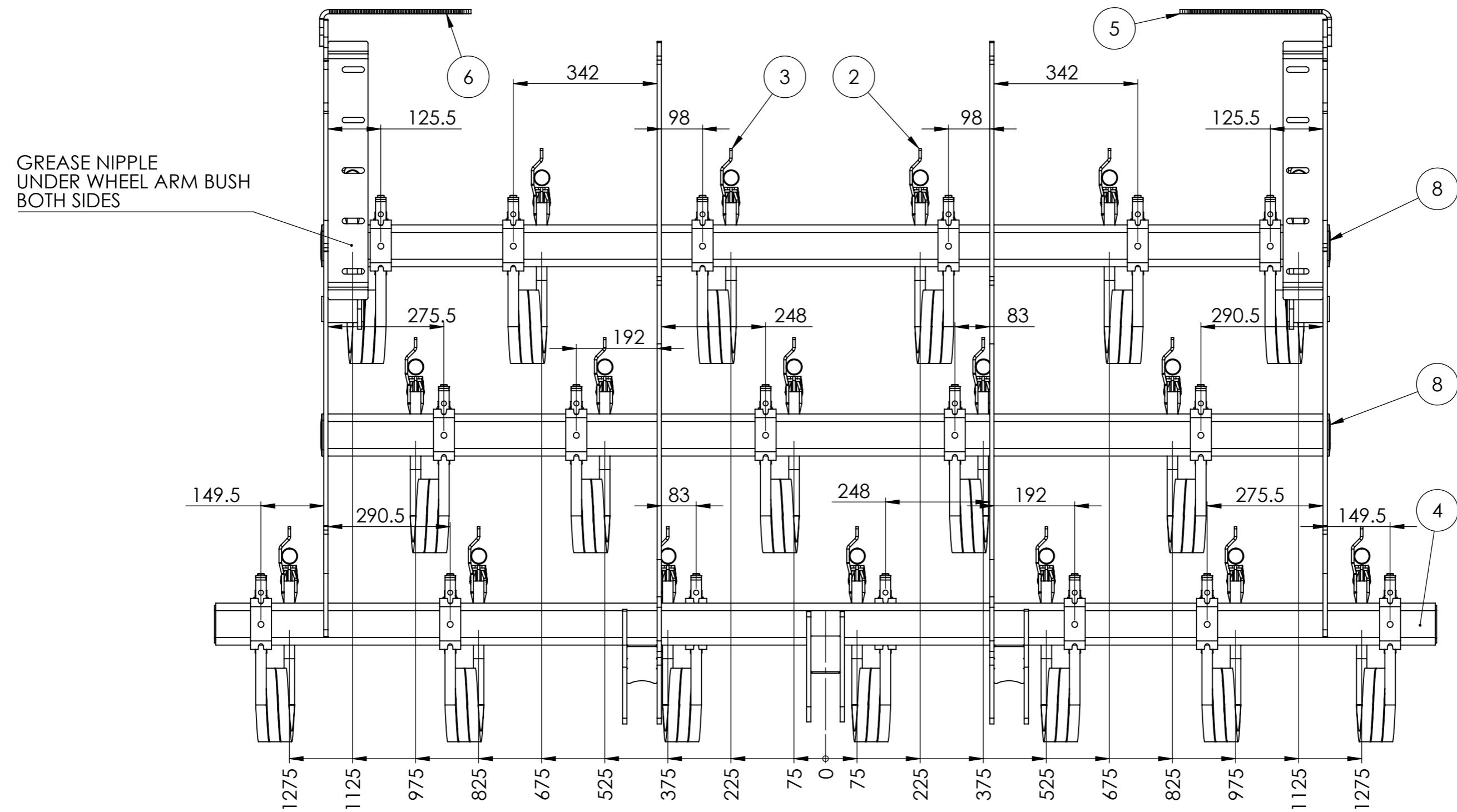
17x159 Disc
DRAWING 620-2001
PART CODE 620-2011
USES 18 ROW FRAME



PLATFORM PANEL DIFFERS BETWEEN MODELS
620-5001 suits 10 and 11 row machines
620-5002 suits 17 and 18 row machines

<p>AGROWFLOW</p>	<p>TITLE: AD083 FRAME</p>	<p>PART NUMBER 620-2001</p>
<p><small>COPYRIGHT RESERVED THIS DRAWING IS THE PROPERTY AGROWFLOW PTY LTD, AND IS SUBJECT TO RETURN UPON DEMAND. IT IS SUBMITTED FOR USE ONLY IN CONNECTION WITH PROPOSALS OR CONTRACTS OF THIS ORGANISATION UPON THE EXPRESS CONDITION THAT IT IS NOT TO BE USED DIRECTLY OR INDIRECTLY IN ANY WAY DETRIMENTAL TO THE INTERESTES OF AGROWFLOW PTY LTD.</small></p>	<p>LAST PRINTED 06-Jul-18</p>	<p>SHEET: PAGE: 1 OF 5 12</p>

ITEM NO.	PART NUMBER	DESCRIPTION	18x150 Tyne/QTY.
1	154-4075	GREASE NIPPLE 1/8" B.S.P.	2
2	453-3001	COIL TYNE 425	9
3	453-3003	COIL TYNE 425	9
4	620-3001	AD083 FRAME 18 ROW	1
5	620-4037	AD083 PLATFORM STEP LEFT	1
6	620-4048	AD083 PLATFORM STEP RIGHT	1
7	620-5001	AD083 PLATFORM WIDE	1
8	630-4196	END CAP 100x100 RHS	4



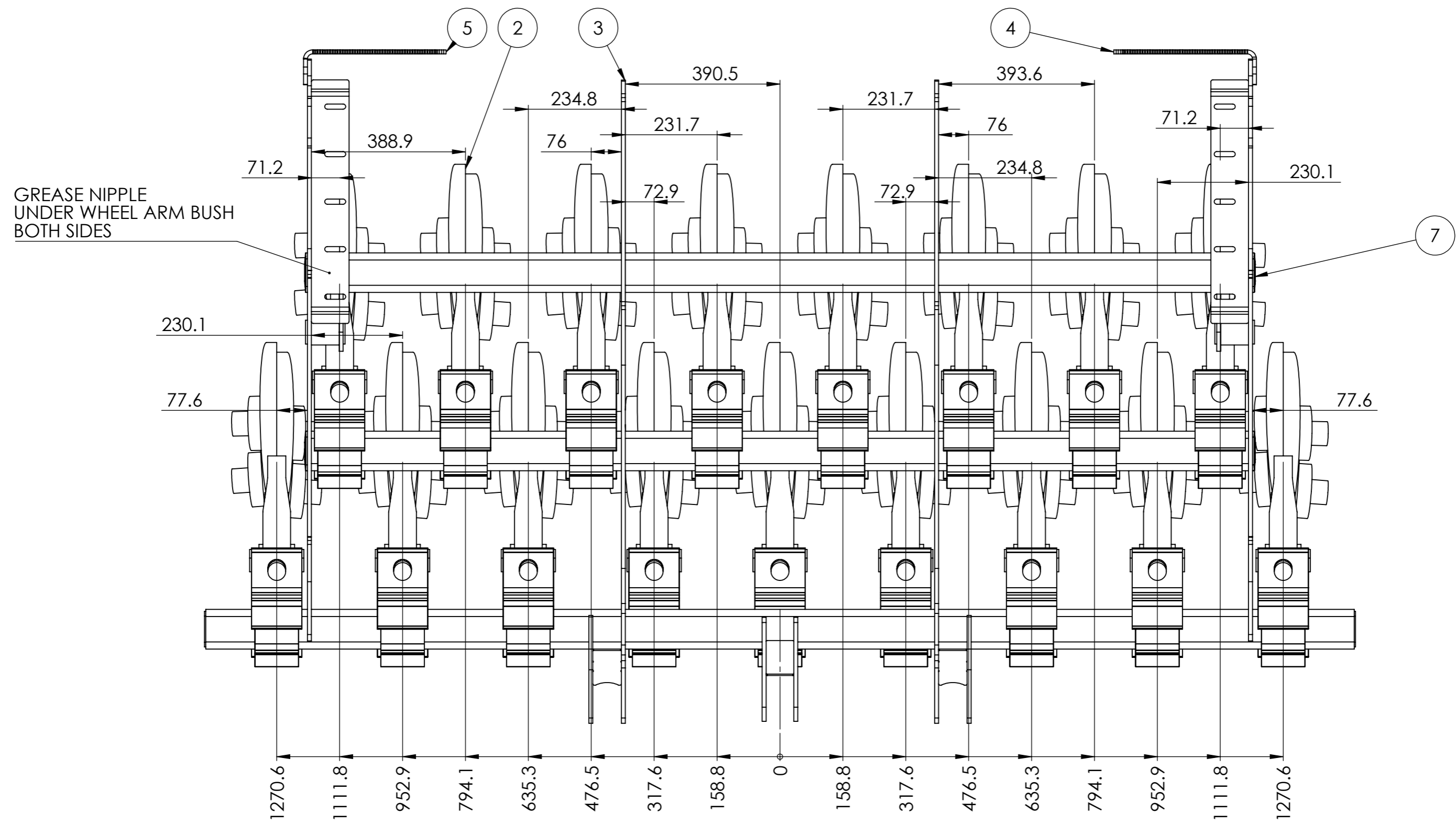
TYNE LAYOUT
18x150
620-2010

AGROWFLOW
 COPYRIGHT RESERVED
 THIS DRAWING IS THE PROPERTY AGROWFLOW PTY LTD, AND IS SUBJECT TO RETURN UPON DEMAND. IT IS SUBMITTED FOR USE ONLY IN CONNECTION WITH PROPOSALS OR CONTRACTS OF THIS ORGANISATION UPON THE EXPRESS CONDITION THAT IT IS NOT TO BE USED DIRECTLY OR INDIRECTLY IN ANY WAY DETRIMENTAL TO THE INTERESTS OF AGROWFLOW PTY LTD.

TITLE: **AD083 FRAME**
 LAST PRINTED 06-Jul-18

PART NUMBER **620-2001**
 SHEET: 2 OF 5 PAGE: **13**

ITEM NO.	PART NUMBER	DESCRIPTION	17x159 Disc/QTY.
1	154-4075	GREASE NIPPLE 1/8" B.S.P.	2
2	408-1001	401 DOUBLE DISC UNIT	17
3	620-3001	AD083 FRAME 18 ROW	1
4	620-4037	AD083 PLATFORM STEP LEFT	1
5	620-4048	AD083 PLATFORM STEP RIGHT	1
6	620-5001	AD083 PLATFORM WIDE	1
7	630-4196	END CAP 100x100 RHS	4



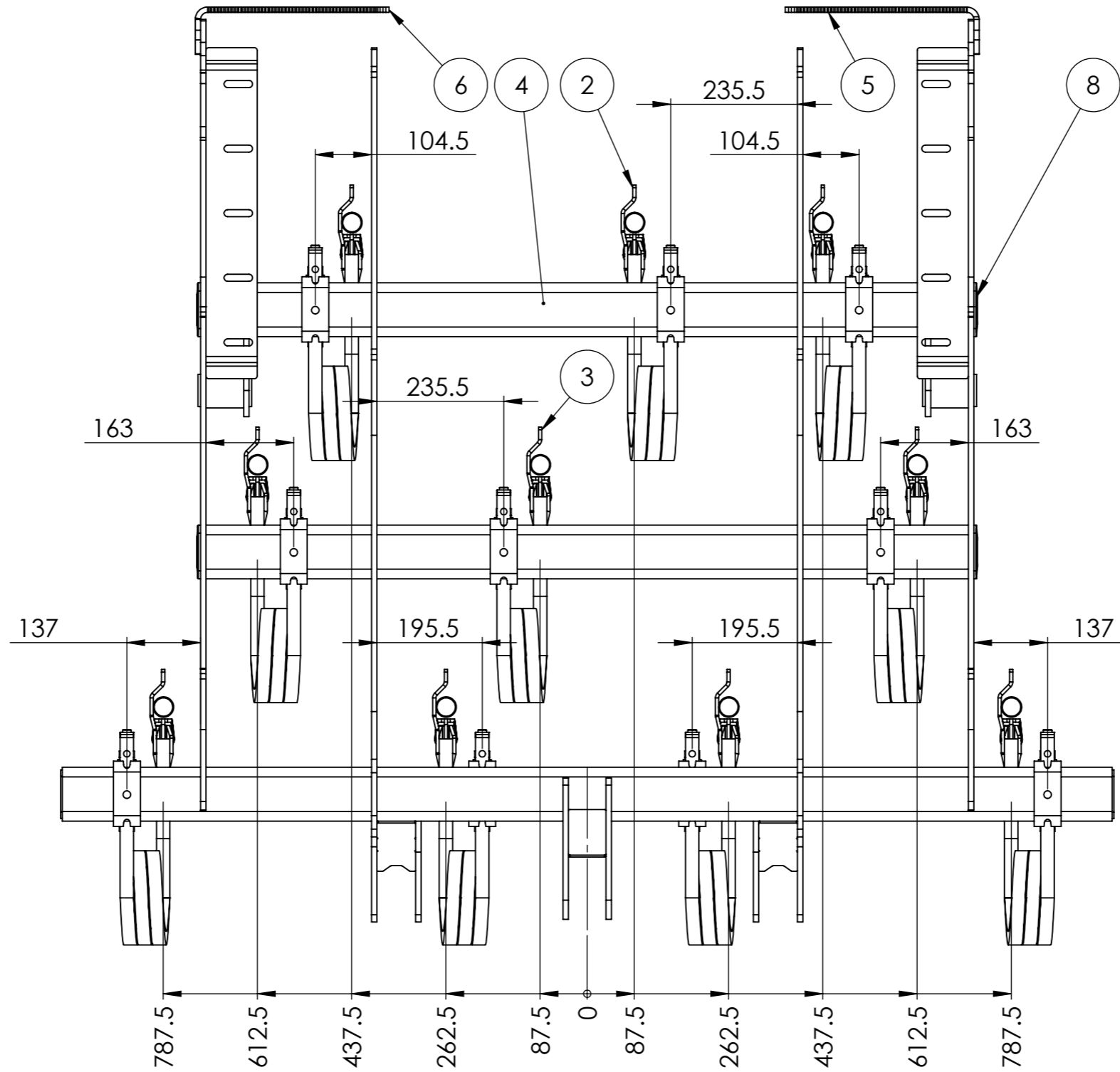
TYNE LAYOUT
17x159
620-2011

AGROWFLOW
 COPYRIGHT RESERVED
 THIS DRAWING IS THE PROPERTY AGROWFLOW PTY LTD, AND IS SUBJECT TO RETURN UPON DEMAND. IT IS SUBMITTED FOR USE ONLY IN CONNECTION WITH PROPOSALS OR CONTRACTS OF THIS ORGANISATION UPON THE EXPRESS CONDITION THAT IT IS NOT TO BE USED DIRECTLY OR INDIRECTLY IN ANY WAY DETRIMENTAL TO THE INTERESTES OF AGROWFLOW PTY LTD.

TITLE: **AD083 FRAME**
 LAST PRINTED 06-Jul-18

PART NUMBER **620-2001**
 SHEET: 3 OF 5 PAGE: **14**

ITEM NO.	PART NUMBER	DESCRIPTION	10x175 Tyne/QTY.
1	154-4075	GREASE NIPPLE 1/8" B.S.P.	2
2	453-3001	COIL TYNE 425	5
3	453-3003	COIL TYNE 425	5
4	620-3017	AD083 FRAME 11 ROW	1
5	620-4037	AD083 PLATFORM STEP LEFT	1
6	620-4048	AD083 PLATFORM STEP RIGHT	1
7	620-5002	AD083 PLATFORM NARROW	1
8	630-4196	END CAP 100x100 RHS	4



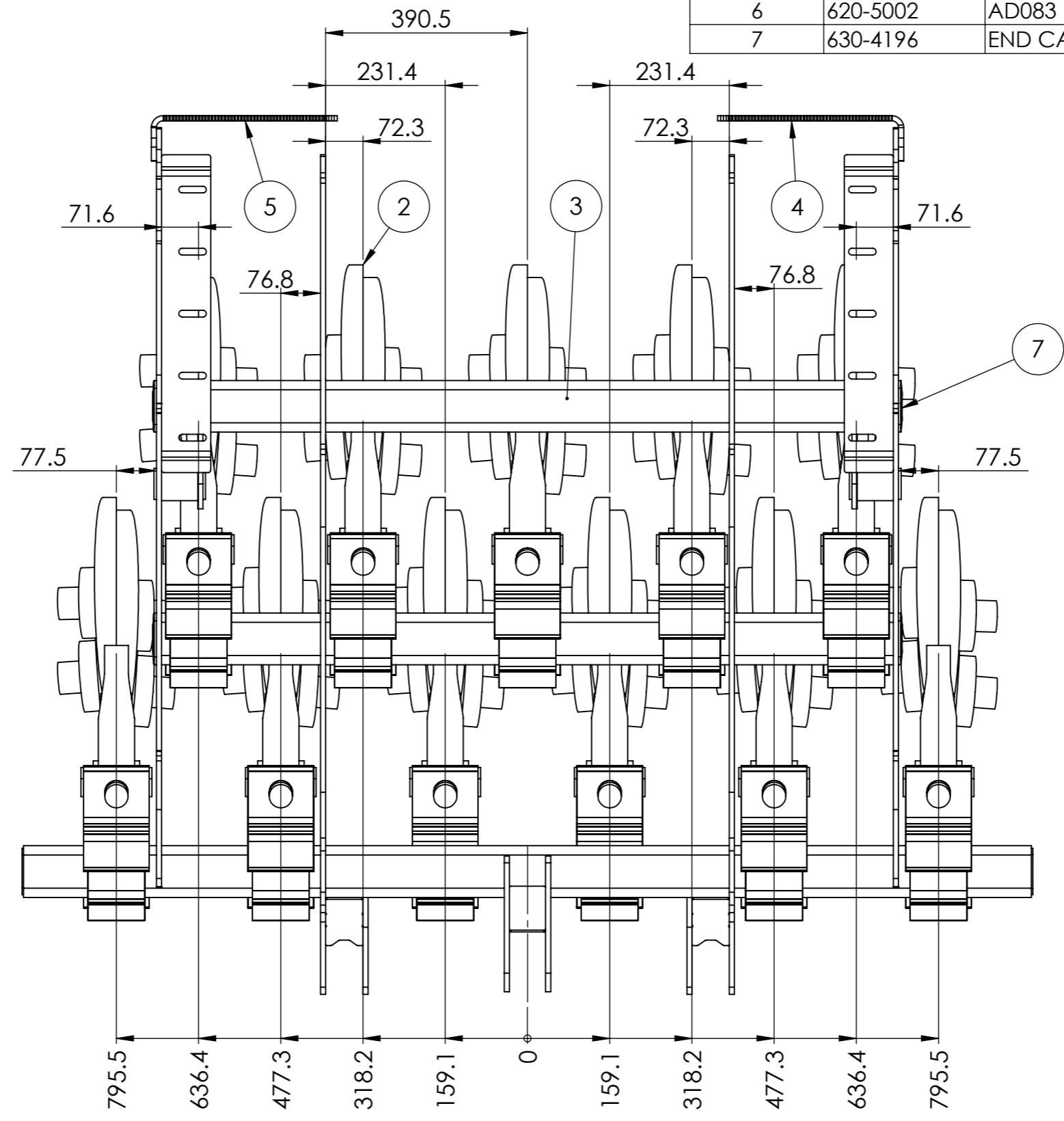
TYNE LAYOUT
10x175
620-2012

AGROWFLOW
 COPYRIGHT RESERVED
 THIS DRAWING IS THE PROPERTY AGROWFLOW PTY LTD, AND IS SUBJECT TO RETURN UPON DEMAND. IT IS SUBMITTED FOR USE ONLY IN CONNECTION WITH PROPOSALS OR CONTRACTS OF THIS ORGANISATION UPON THE EXPRESS CONDITION THAT IT IS NOT TO BE USED DIRECTLY OR INDIRECTLY IN ANY WAY DETRIMENTAL TO THE INTERESTES OF AGROWFLOW PTY LTD.

TITLE: **AD083 FRAME**
 LAST PRINTED 06-Jul-18

PART NUMBER
620-2001
 SHEET: 4 OF 5
 PAGE: **15**

ITEM NO.	PART NUMBER	DESCRIPTION	11x159 Disc/11x158 Disc/QTY.
1	154-4075	GREASE NIPPLE 1/8" B.S.P.	2
2	408-1001	401 DOUBLE DISC UNIT	11
3	620-3017	AD083 FRAME 11 ROW	1
4	620-4037	AD083 PLATFORM STEP LEFT	1
5	620-4048	AD083 PLATFORM STEP RIGHT	1
6	620-5002	AD083 PLATFORM NARROW	1
7	630-4196	END CAP 100x100 RHS	4



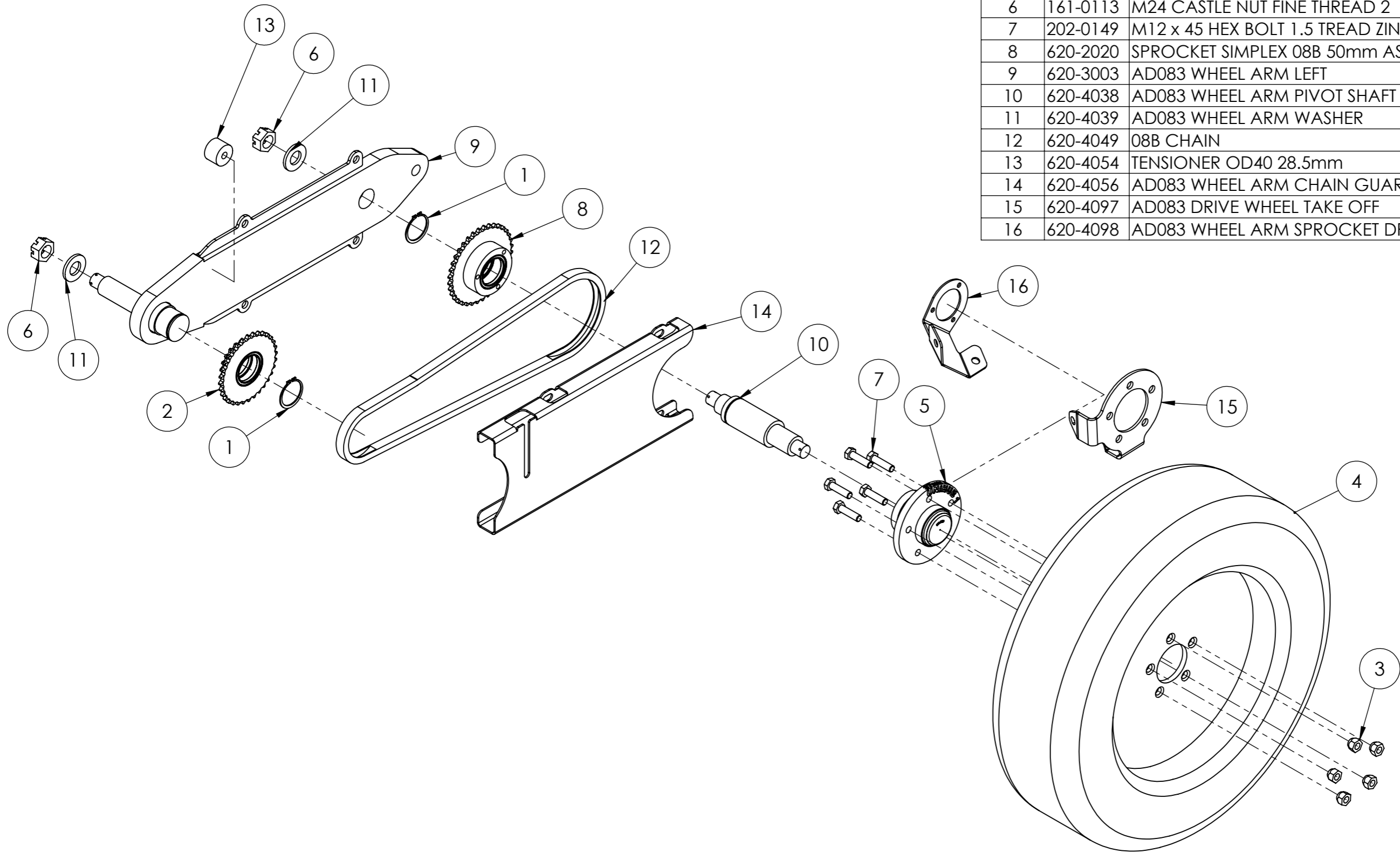
DISC LAYOUT
11x159
620-2013

AGROWFLOW
 COPYRIGHT RESERVED
 THIS DRAWING IS THE PROPERTY AGROWFLOW PTY LTD, AND IS SUBJECT TO RETURN UPON DEMAND. IT IS SUBMITTED FOR USE ONLY IN CONNECTION WITH PROPOSALS OR CONTRACTS OF THIS ORGANISATION UPON THE EXPRESS CONDITION THAT IT IS NOT TO BE USED DIRECTLY OR INDIRECTLY IN ANY WAY DETRIMENTAL TO THE INTERESTS OF AGROWFLOW PTY LTD.

TITLE: **AD083 FRAME**
 LAST PRINTED 06-Jul-18

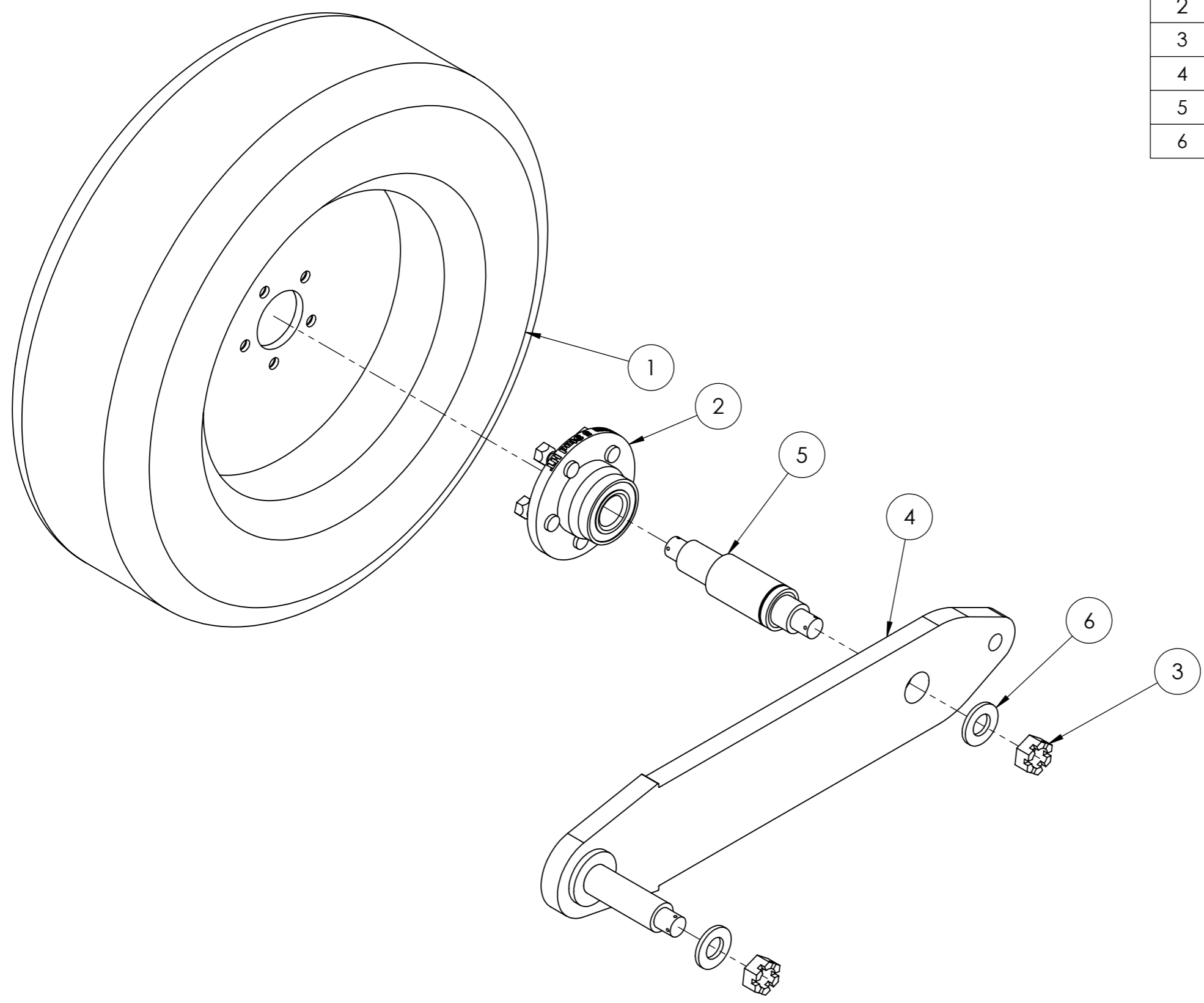
PART NUMBER **620-2001**
 SHEET: 5 OF 5 PAGE: **16**

ITEM NO.	PART NUMBER	DESCRIPTION	QTY.
1	115-7021	50mm EXT CIRCLIP	2
2	124-4099	SPROCKET ASSEMBLY 08B 21T 32T 50mmSHAFT	1
3	139-1036	WHEEL NUT M12 x 1.5	5
4	139-2077	TYRE & RIM 195R14 MT753 - 14x6 5/108	1
5	161-0001	UNI HUB 1 ASSEMBLY	1
6	161-0113	M24 CASTLE NUT FINE THREAD 2	2
7	202-0149	M12 x 45 HEX BOLT 1.5 TREAD ZINC GR8.8	5
8	620-2020	SPROCKET SIMPLEX 08B 50mm ASSEMBLY	1
9	620-3003	AD083 WHEEL ARM LEFT	1
10	620-4038	AD083 WHEEL ARM PIVOT SHAFT	1
11	620-4039	AD083 WHEEL ARM WASHER	2
12	620-4049	08B CHAIN	1
13	620-4054	TENSIONER OD40 28.5mm	1
14	620-4056	AD083 WHEEL ARM CHAIN GUARD	1
15	620-4097	AD083 DRIVE WHEEL TAKE OFF	1
16	620-4098	AD083 WHEEL ARM SPROCKET DRIVE	1



<p>AGROWFLOW</p> <p><small>COPYRIGHT RESERVED</small></p> <p><small>THIS DRAWING IS THE PROPERTY AGROWFLOW PTY LTD, AND IS SUBJECT TO RETURN UPON DEMAND. IT IS SUBMITTED FOR USE ONLY IN CONNECTION WITH PROPOSALS OR CONTRACTS OF THIS ORGANISATION UPON THE EXPRESS CONDITION THAT IT IS NOT TO BE USED DIRECTLY OR INDIRECTLY IN ANY WAY DETRIMENTAL TO THE INTERESTES OF AGROWFLOW PTY LTD.</small></p>	<p>TITLE:</p> <p>AD083 WHEEL ARM LEFT</p>	<p>PART NUMBER</p> <p>620-2002</p>
	<p>LAST PRINTED 06-Jul-18</p> <p>TOTAL MASS 56.05 Kg</p>	<p>SHEET: PAGE:</p> <p>1 OF 2 17</p>

ITEM NO.	PART NUMBER	DESCRIPTION	QTY.
1	139-2077	TYRE & RIM 235/80 R15	1
2	161-0001	UNI HUB 1 ASSEMBLY	1
3	161-0113	M24 CASTLE NUT FINE THREAD 2	2
4	620-3004	AD083 WHEEL ARM RIGHT	1
5	620-4038	AD083 WHEEL ARM PIVOT SHAFT	1
6	620-4039	AD083 WHEEL ARM WASHER	2



AGROWFLOW
 COPYRIGHT RESERVED
 THIS DRAWING IS THE PROPERTY AGROWFLOW PTY LTD, AND IS SUBJECT TO RETURN UPON DEMAND. IT IS SUBMITTED FOR USE ONLY IN CONNECTION WITH PROPOSALS OR CONTRACTS OF THIS ORGANISATION UPON THE EXPRESS CONDITION THAT IT IS NOT TO BE USED DIRECTLY OR INDIRECTLY IN ANY WAY DETRIMENTAL TO THE INTERESTES OF AGROWFLOW PTY LTD.

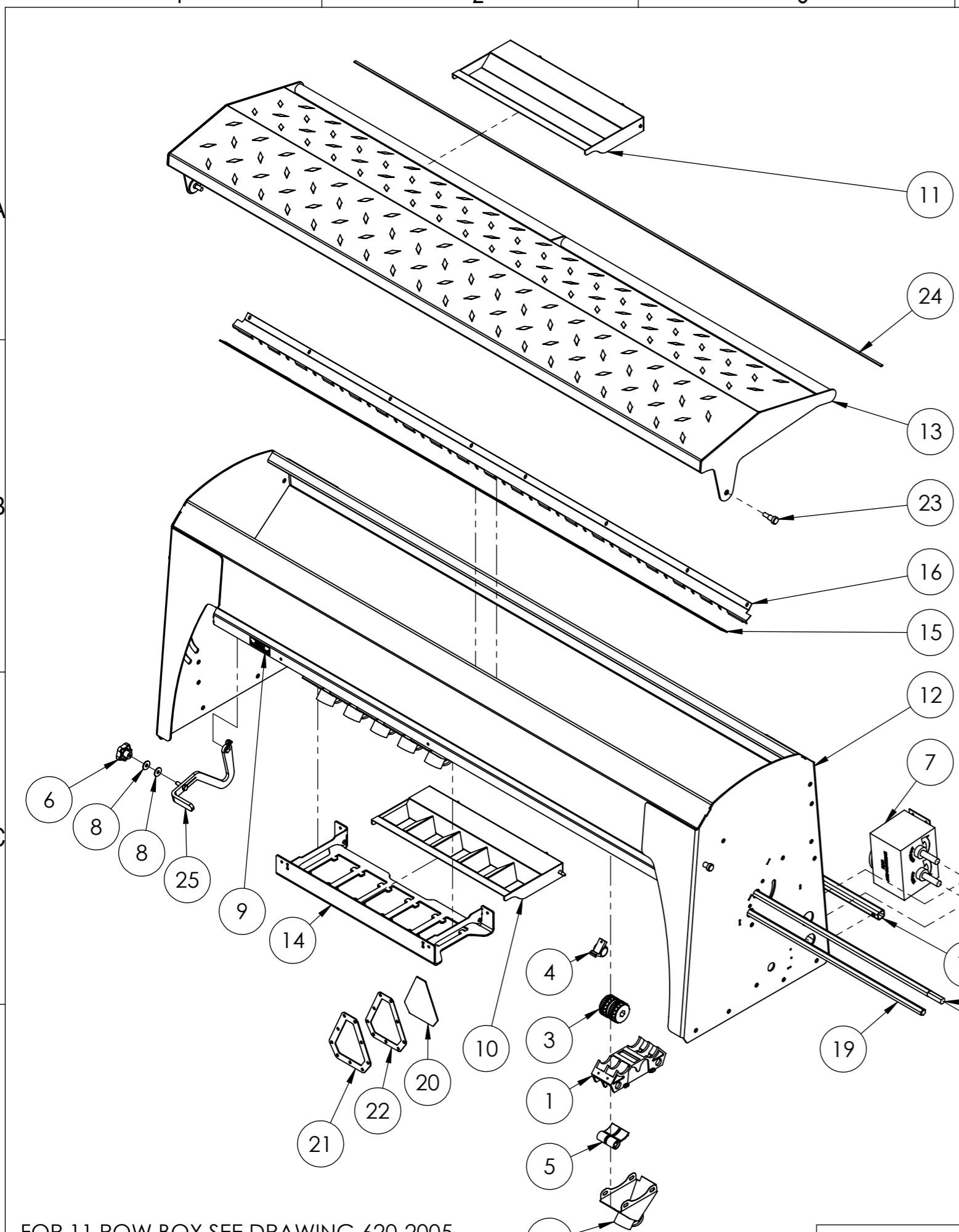
TITLE: **AD083 WHEEL ARM RIGHT**
 LAST PRINTED 21-May-18 TOTAL MASS 47.82 Kg

PART NUMBER **620-2004**
 SHEET: 1 OF 2 PAGE: **18**

A
B
C
D

A
B
C
D

1 2 3 4 5 6

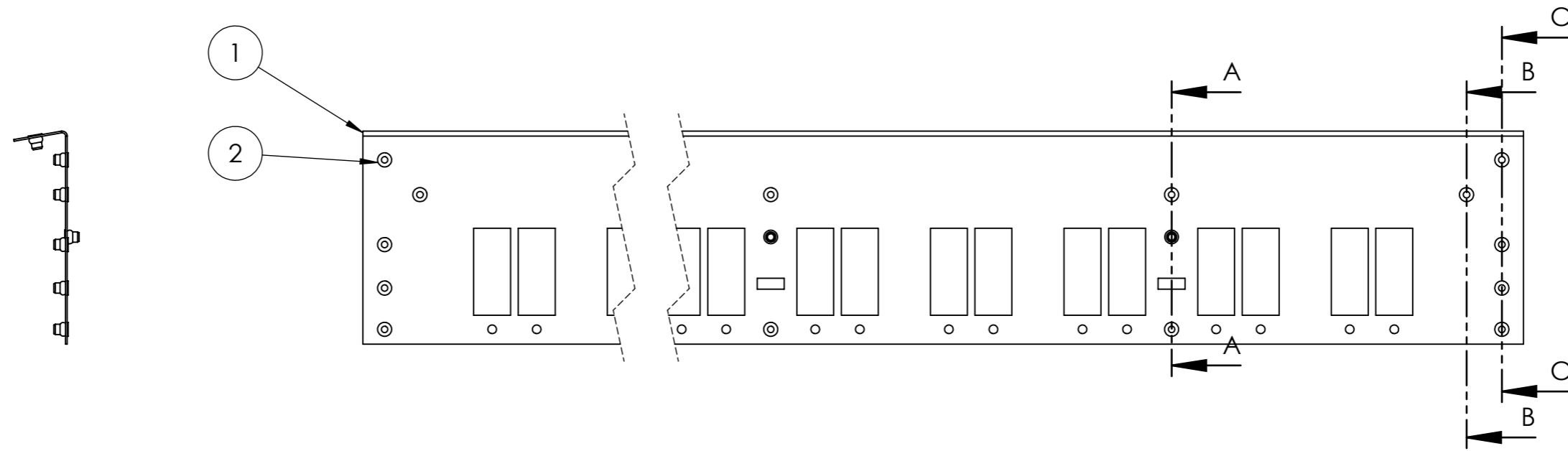


ITEM NO.	PART NUMBER	DESCRIPTION	Drawing/QTY.
1	113-2102	ROLLER ASSEMBLY DOUBLE GATE HOUSING	18
2	113-3112	SEED CUP SINGLE OUTLET DOUBLE GATE HOUSING	18
3	115-3001	ROLLER ASSEMBLY SEED ROLLER	36
4	115-4007	ROLLER ASSEMBLY BEARING HOUSING	6
5	115-4014	ROLLER ASSEMBLY GATE	36
6	115-7014	M10 HAND WHEEL	1
7	118-2020	VARIBOX BS12 ANTICLOCK WISE	1
8	135-2000	WASHER FLAT M10 NYLON	2
9	600-4100	AGROWFLOW SERIAL NUMBER PLATE	1
10	620-2006	AD083 THROUGH TRAY	1
11	620-2007	AD083 CALIBRATION TRAY	1
12	620-3002	AD083 18 ROW BOX	1
13	620-3005	AD083 18 ROW BOX LID	1
14	620-3008	AD083 CALIBRATION TRAY MOUNT	1
15	620-4008	AD083 18 ROW SEED/FERT BOX RESTRICTOR STOP	1
16	620-4009	AD083 18 ROW SEED/FERT BOX VERANDAH	1
17	620-4046	AD083 KICK RAIL 18 AND 11 ROWS	1
18	620-4051	AD083 18 ROW HEX BAR SEED ROLLERS	1
19	620-4052	AD083 18 ROW HEX BAR GATES	1
20	620-4077	AD083 BOX WINDOW	1
21	620-4078	AD083 WINDOW FRAME	2
22	620-4079	AD083 WINDOW GASKET	1
23	630-4142	HOPPER LID HINGE AND STOP	4
24	630-4192	EDGE PROTECTOR	1
25	640-3071	HOPPER GATE LEVER ARM ASSEMBLY FRONT	1
26	640-4204	BEARING AND HOUSING ID20 PANEL MOUNT	1

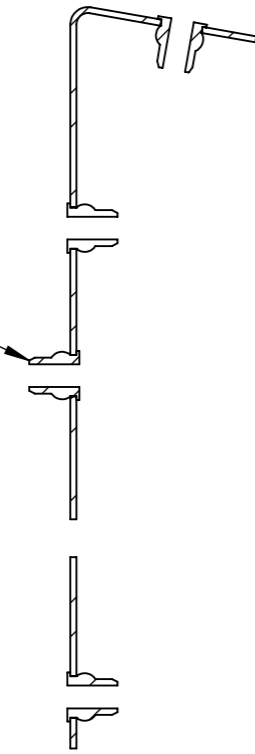
FOR 11 ROW BOX SEE DRAWING 620-2005

AGROWFLOW <small>COPYRIGHT RESERVED THIS DRAWING IS THE PROPERTY AGROWFLOW PTY LTD, AND IS SUBJECT TO RETURN UPON DEMAND. IT IS SUBMITTED FOR USE ONLY IN CONNECTION WITH PROPOSALS OR CONTRACTS OF THIS ORGANISATION UPON THE EXPRESS CONDITION THAT IT IS NOT TO BE USED DIRECTLY OR INDIRECTLY IN ANY WAY DETRIMENTAL TO THE INTERESTES OF AGROWFLOW PTY LTD.</small>	TITLE: AD083 18 ROW BOX		PART NUMBER 620-2003	
	LAST PRINTED 22-May-18 TOTAL MASS 244.08 Kg		SHEET: 1 OF 1 PAGE: 19	

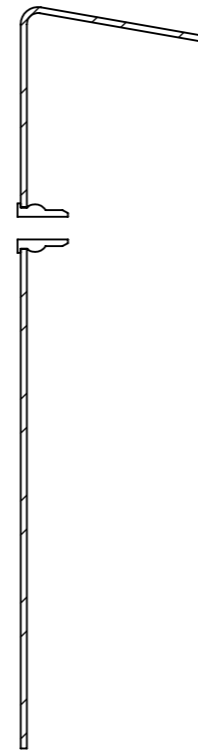
ITEM NO.	PART NUMBER	DESCRIPTION	QTY.
1	620-4012	AD083 18 ROW SEED BOX VALLEY	1
2	134-4009	NUTSERT HEX 6MM, 9.5mm HEX, LARGE FLANGE	36



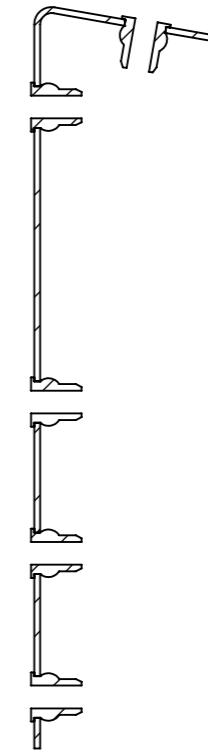
NUTSERT INSERTED FROM OPPOSITE SIDE TO ALL OTHERS



SECTION A-A

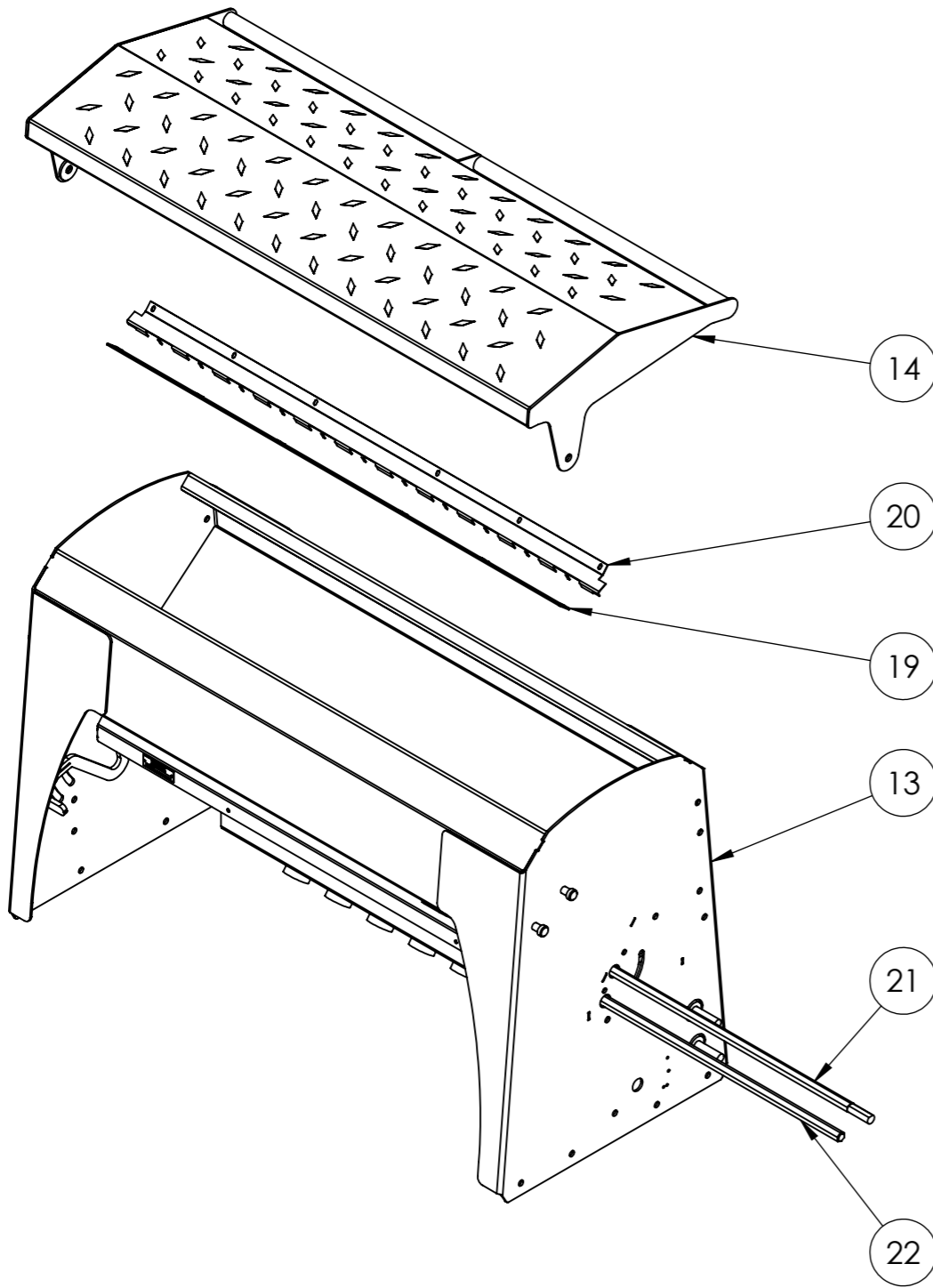


SECTION B-B



SECTION C-C

<p>AGROWFLOW</p> <p><small>COPYRIGHT RESERVED</small></p> <p><small>THIS DRAWING IS THE PROPERTY AGROWFLOW PTY LTD, AND IS SUBJECT TO RETURN UPON DEMAND. IT IS SUBMITTED FOR USE ONLY IN CONNECTION WITH PROPOSALS OR CONTRACTS OF THIS ORGANISATION UPON THE EXPRESS CONDITION THAT IT IS NOT TO BE USED DIRECTLY OR INDIRECTLY IN ANY WAY DETRIMENTAL TO THE INTERESTES OF AGROWFLOW PTY LTD.</small></p>	<p>TITLE:</p> <p>AD083 18 ROW VALLEY ASSEMBLY</p> <p>LAST PRINTED 22-May-18</p>	<p>PART NUMBER</p> <p>620-4012 Assy</p>
	<p>TOTAL MASS 6.02 Kg</p>	<p>SHEET: PAGE:</p> <p>1 OF 1 20</p>

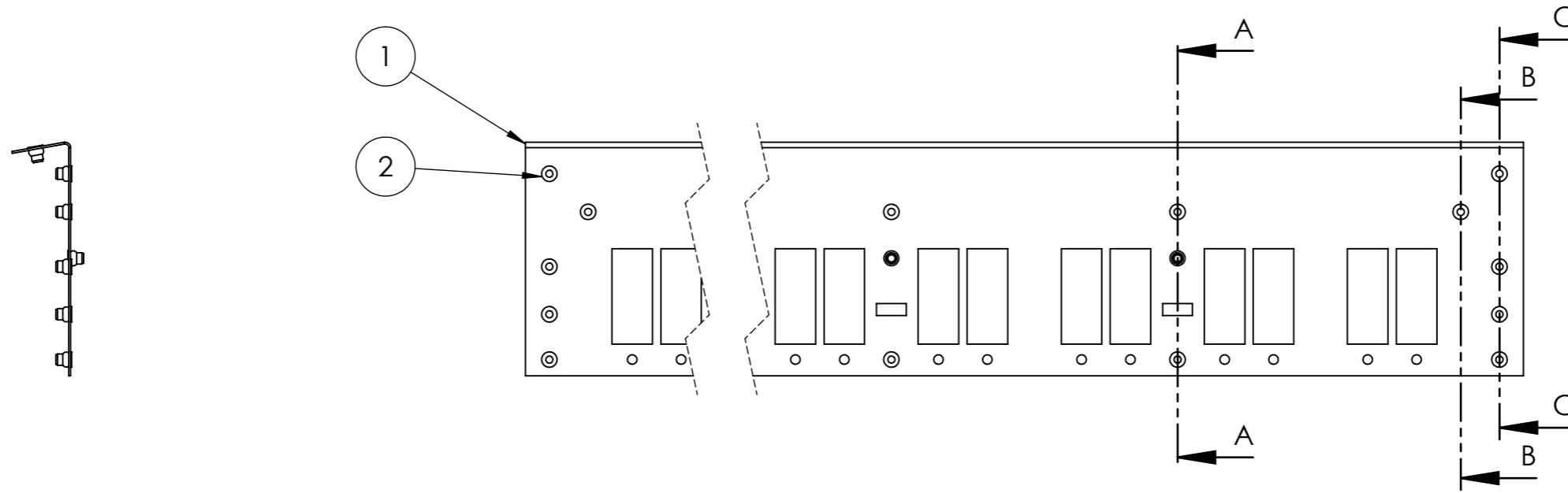


ITEM NO.	PART NUMBER	DESCRIPTION	Drawing/QTY.
1	113-2102	ROLLER ASSEMBLY DOUBLE GATE HOUSING	11
2	113-3112	SEED CUP SINGLE OUTLET DOUBLE GATE HOUSING	11
3	115-3001	ROLLER ASSEMBLY SEED ROLLER	22
4	115-4007	ROLLER ASSEMBLY BEARING HOUSING	4
5	115-4014	ROLLER ASSEMBLY GATE	22
6	115-7014	M10 HAND WHEEL	1
7	118-2020	VARIBOX BS12 ANTICLOCK WISE	1
8	135-2000	WASHER FLAT M10 NYLON	2
9	600-4100	AGROWFLOW SERIAL NUMBER PLATE	1
10	620-2006	AD083 THROUGH TRAY	1
11	620-2007	AD083 CALIBRATION TRAY	1
12	620-3008	AD083 CALIBRATION TRAY MOUNT	1
13	620-3017	AD083 11 ROW BOX	1
14	620-3018	AD083 11 ROW SEED/FERT BOX LID	1
15	620-4046	AD083 KICK RAIL 18 AND 11 ROWS	1
16	620-4077	AD083 BOX WINDOW	1
17	620-4078	AD083 WINDOW FRAME	2
18	620-4079	AD083 WINDOW GASKET	1
19	620-4109	AD083 11 ROW SEED/FERT BOX RESTRICTOR STOP	1
20	620-4110	AD083 11 ROW SEED/FERT BOX VERANDAH	1
21	620-4111	AD083 11 ROW HEX BAR SEED ROLLERS	1
22	620-4112	AD083 11 ROW HEX BAR GATES	1
23	630-4142	HOPPER LID HINGE AND STOP	4
24	630-4192	EDGE PROTECTOR	1
25	640-3071	HOPPER GATE LEVER ARM ASSEMBLY FRONT	1
26	640-4204	BEARING AND HOUSING ID20 PANEL MOUNT	1

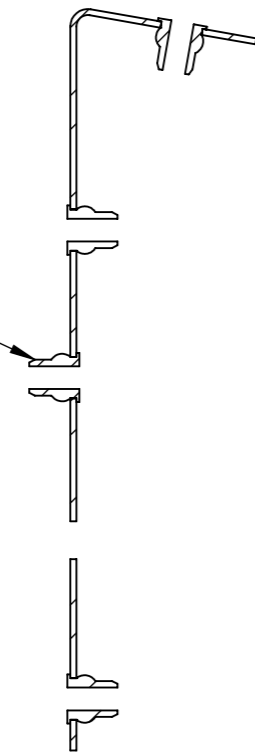
ONLY PARTS SPECIFIC TO THIS MODEL HAVE BEEN IDENTIFIED FOR A FULL EXPLOSION OF ALL PARTS SEE DRAWING 620-2003

AGROWFLOW		TITLE: AD083 11 ROW BOX		PART NUMBER 620-2005	
COPYRIGHT RESERVED THIS DRAWING IS THE PROPERTY AGROWFLOW PTY LTD, AND IS SUBJECT TO RETURN UPON DEMAND. IT IS SUBMITTED FOR USE ONLY IN CONNECTION WITH PROPOSALS OR CONTRACTS OF THIS ORGANISATION UPON THE EXPRESS CONDITION THAT IT IS NOT TO BE USED DIRECTLY OR INDIRECTLY IN ANY WAY DETRIMENTAL TO THE INTERESTES OF AGROWFLOW PTY LTD.		LAST PRINTED 22-May-18		TOTAL MASS 181.32 Kg	
				SHEET:	PAGE:
				1 OF 1	21

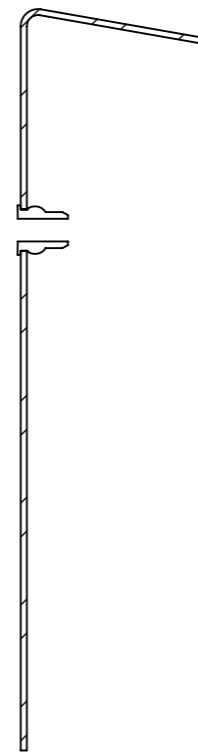
ITEM NO.	PART NUMBER	DESCRIPTION	QTY.
1	620-4018	AD083 11 ROW SEED BOX VALLEY	1
2	134-4009	NUTSERT HEX 6MM, 9.5mm HEX, LARGE FLANGE	28



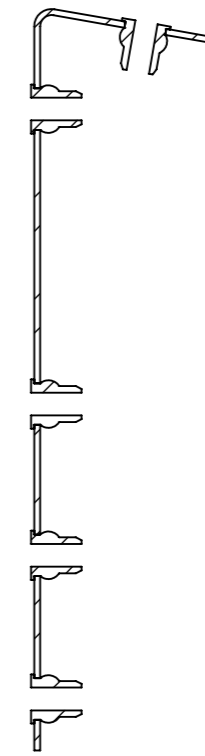
NUTSERT INSERTED FROM OPPOSITE SIDE TO ALL OTHERS



SECTION A-A



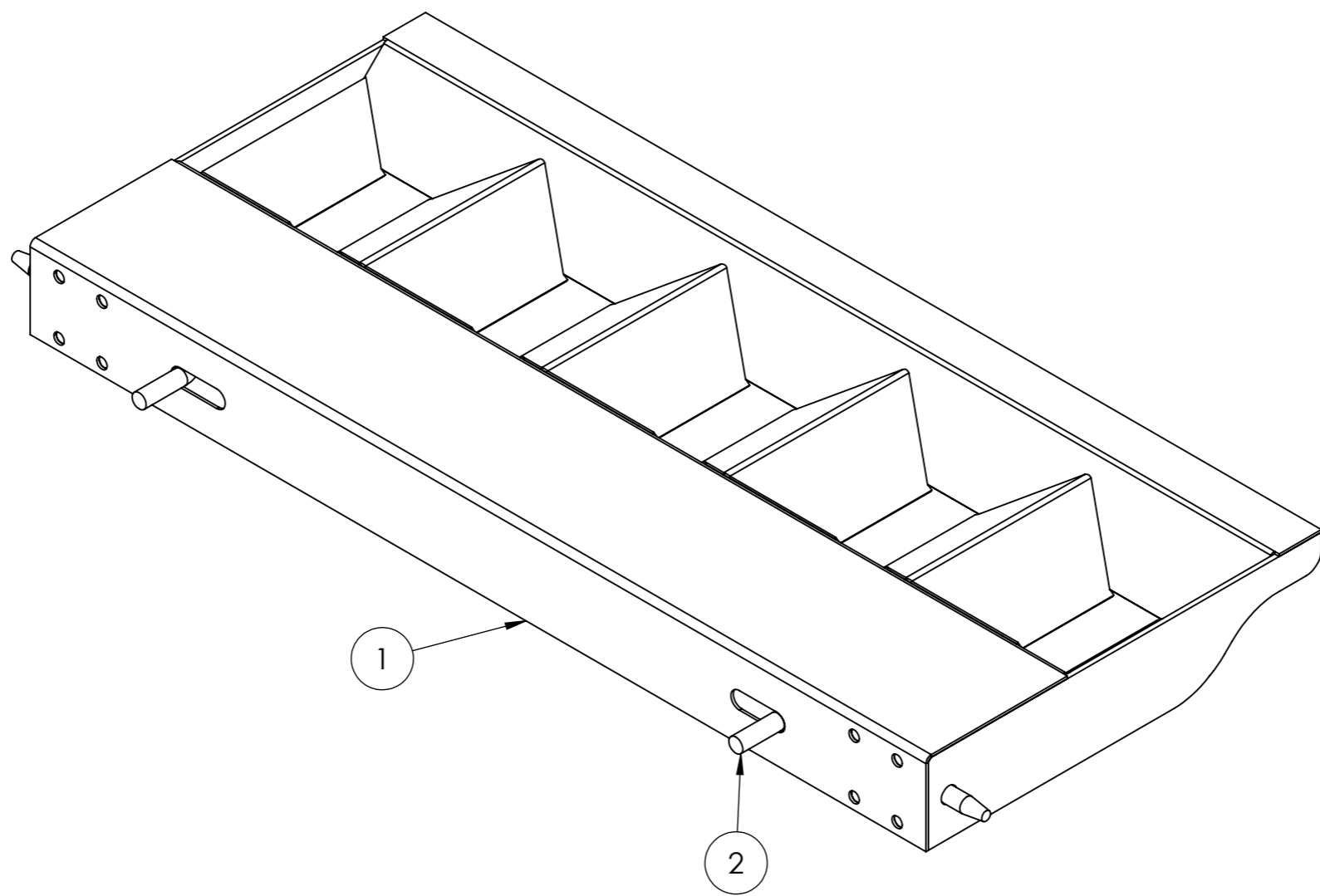
SECTION B-B



SECTION C-C

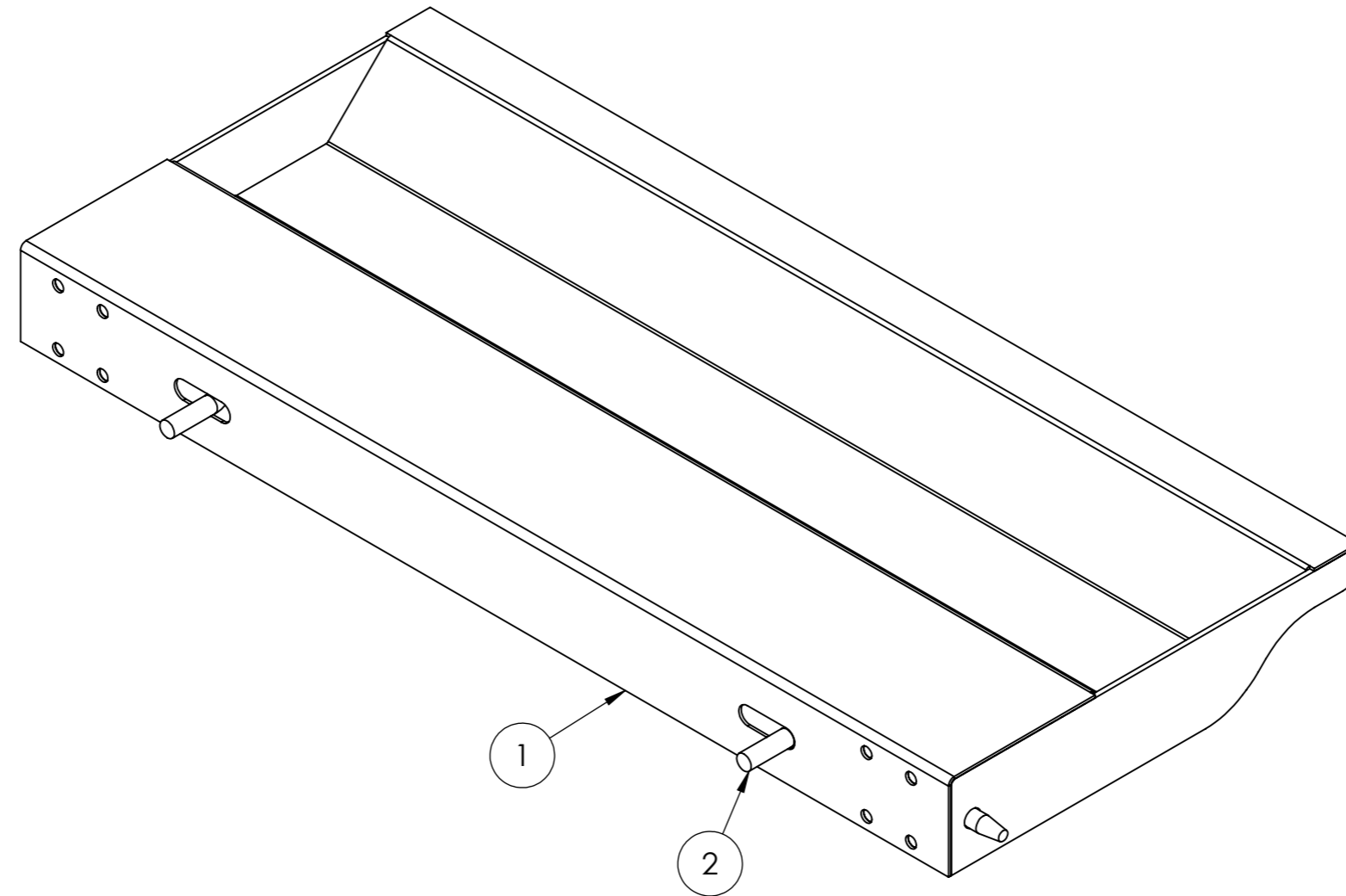
<p>AGROWFLOW</p> <p><small>COPYRIGHT RESERVED</small></p> <p><small>THIS DRAWING IS THE PROPERTY AGROWFLOW PTY LTD, AND IS SUBJECT TO RETURN UPON DEMAND. IT IS SUBMITTED FOR USE ONLY IN CONNECTION WITH PROPOSALS OR CONTRACTS OF THIS ORGANISATION UPON THE EXPRESS CONDITION THAT IT IS NOT TO BE USED DIRECTLY OR INDIRECTLY IN ANY WAY DETRIMENTAL TO THE INTERESTES OF AGROWFLOW PTY LTD.</small></p>	<p>TITLE:</p> <p>AD083 18 ROW VALLEY ASSEMBLY</p> <p>LAST PRINTED 22-May-18</p>	<p>PART NUMBER</p> <p>620-4018 Assy</p>
	<p>TOTAL MASS 3.61 Kg</p>	<p>SHEET: PAGE:</p> <p>1 OF 1 22</p>

ITEM NO.	PART NUMBER	DESCRIPTION	QTY.
1	620-3009	AD083 THROUGH TRAY	1
2	140-4130	SPRING LATCH PIN SH-177	2



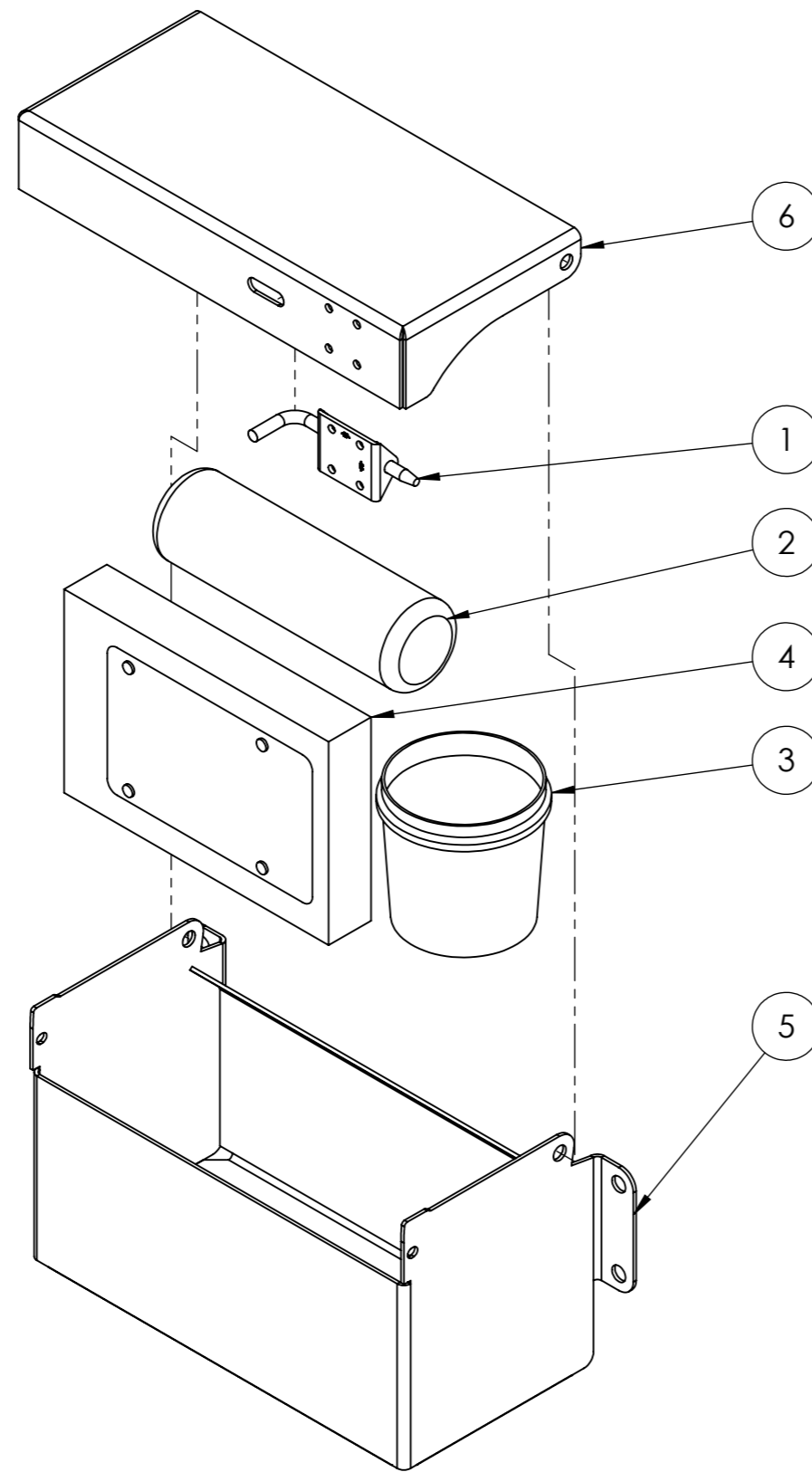
<p>AGROWFLOW</p> <p><small>COPYRIGHT RESERVED</small></p> <p><small>THIS DRAWING IS THE PROPERTY AGROWFLOW PTY LTD, AND IS SUBJECT TO RETURN UPON DEMAND. IT IS SUBMITTED FOR USE ONLY IN CONNECTION WITH PROPOSALS OR CONTRACTS OF THIS ORGANISATION UPON THE EXPRESS CONDITION THAT IT IS NOT TO BE USED DIRECTLY OR INDIRECTLY IN ANY WAY DETRIMENTAL TO THE INTERESTES OF AGROWFLOW PTY LTD.</small></p>	<p>TITLE:</p> <p>AD083 THROUGH TRAY</p>	<p>PART NUMBER</p> <p>620-2006</p>
	<p>LAST PRINTED 21-May-18</p> <p>TOTAL MASS 3.70 Kg</p>	<p>SHEET: PAGE:</p> <p>1 OF 1 23</p>

ITEM NO.	PART NUMBER	DESCRIPTION	QTY.
1	620-3015	CALIBRATION TRAY	1
2	140-4130	SPRING LATCH PIN SH-177	2



<p>AGROWFLOW</p> <p><small>COPYRIGHT RESERVED</small></p> <p><small>THIS DRAWING IS THE PROPERTY AGROWFLOW PTY LTD, AND IS SUBJECT TO RETURN UPON DEMAND. IT IS SUBMITTED FOR USE ONLY IN CONNECTION WITH PROPOSALS OR CONTRACTS OF THIS ORGANISATION UPON THE EXPRESS CONDITION THAT IT IS NOT TO BE USED DIRECTLY OR INDIRECTLY IN ANY WAY DETRIMENTAL TO THE INTERESTES OF AGROWFLOW PTY LTD.</small></p>	<p>TITLE: AD083 CALIBRATION TRAY</p>	<p>PART NUMBER 620-2007</p>
	<p>LAST PRINTED 21-May-18</p>	<p>TOTAL MASS 3.61 Kg</p>

ITEM NO.	PART NUMBER	DESCRIPTION	Default/QTY.
1	140-4130	SPRING LATCH PIN SH-177	1
2	600-4015	PAINT SPRAY CAN	1
3	600-7000	BUCKET 1 LTR PLASTIC	1
4	600-7002	KITCHEN SCALE	1
5	620-3019	AD083 TOOLBOX BODY	1
6	620-4091	AD083 TOOLBOX LID	1

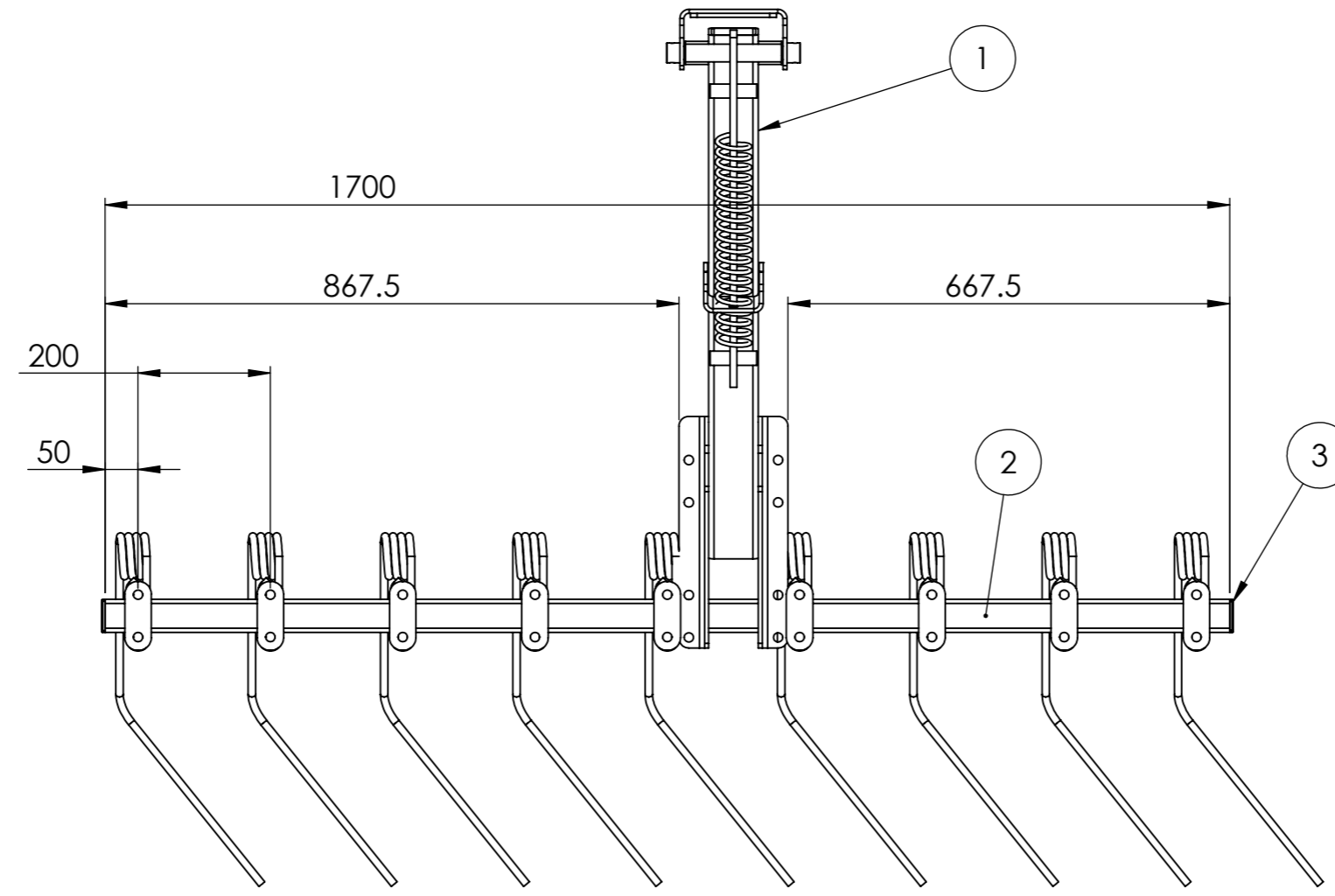
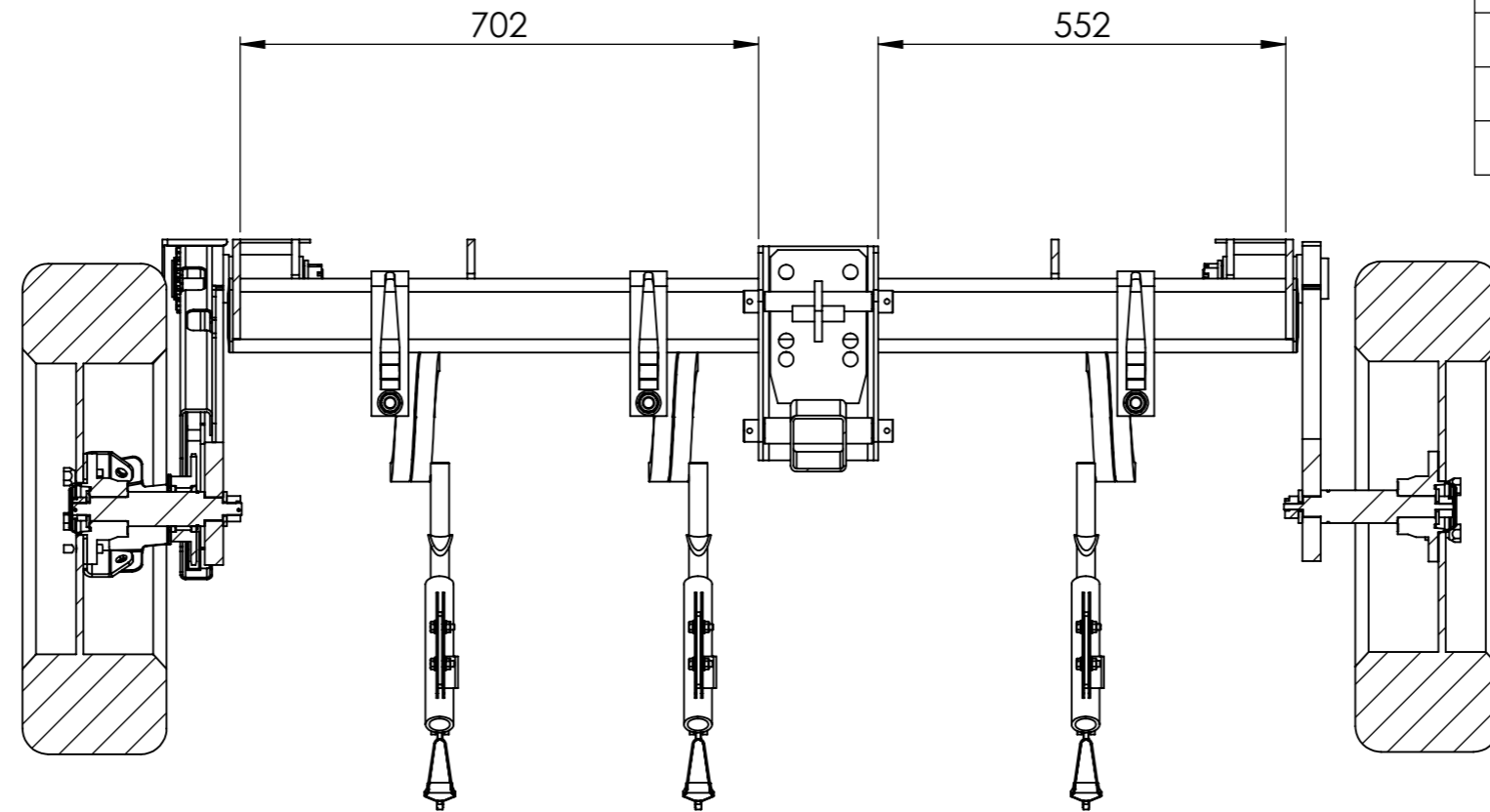


AGROWFLOW
 COPYRIGHT RESERVED
 THIS DRAWING IS THE PROPERTY AGROWFLOW PTY LTD, AND IS SUBJECT TO RETURN UPON DEMAND. IT IS SUBMITTED FOR USE ONLY IN CONNECTION WITH PROPOSALS OR CONTRACTS OF THIS ORGANISATION UPON THE EXPRESS CONDITION THAT IT IS NOT TO BE USED DIRECTLY OR INDIRECTLY IN ANY WAY DETRIMENTAL TO THE INTERESTES OF AGROWFLOW PTY LTD.

TITLE: **AD083 TOOLBOX**
 LAST PRINTED 21-May-18 TOTAL MASS 19.64 Kg

PART NUMBER
620-2008
 SHEET: 1 OF 1 PAGE: **25**

ITEM NO.	PART NUMBER	DESCRIPTION	Tyne/QTY.
1	019-2021	HARROW ARM ASSEMBLY	1
2	019-2022	HARROW BAR 9 Springs	1
3	019-3037	END CAP 100x100 RHS	2



MOUNTING TO SUIT TYNES

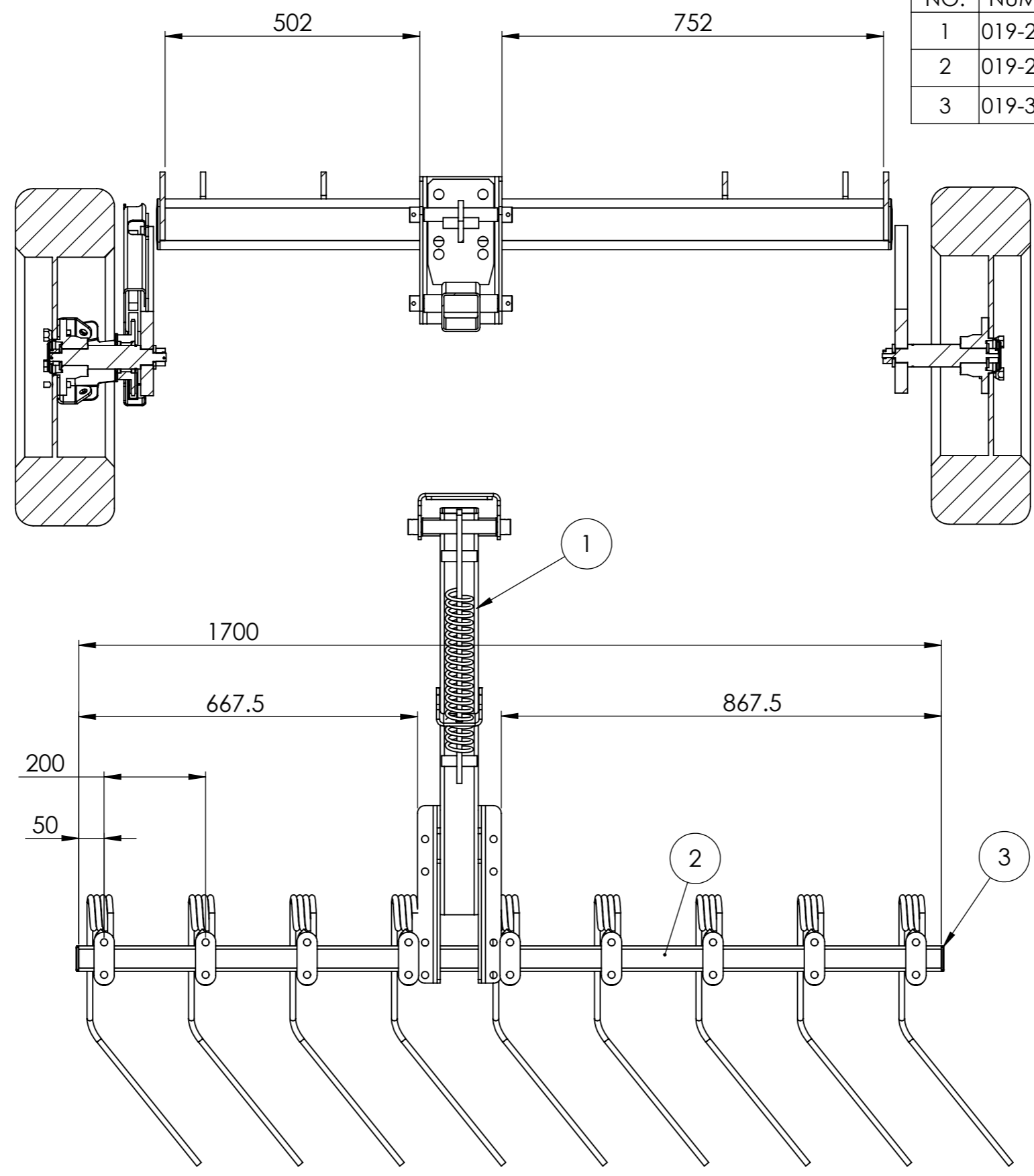
NOTE: ALL DIMENSIONS TO END OF RHS

AGROWFLOW
 COPYRIGHT RESERVED
 THIS DRAWING IS THE PROPERTY AGROWFLOW PTY LTD, AND IS SUBJECT TO RETURN UPON DEMAND. IT IS SUBMITTED FOR USE ONLY IN CONNECTION WITH PROPOSALS OR CONTRACTS OF THIS ORGANISATION UPON THE EXPRESS CONDITION THAT IT IS NOT TO BE USED DIRECTLY OR INDIRECTLY IN ANY WAY DETRIMENTAL TO THE INTERESTES OF AGROWFLOW PTY LTD.

TITLE:
AD083 10 AND 11 ROW HARROW MOUNT
 LAST PRINTED 7/08/2019

PART NUMBER
019-1028
 SHEET: 1 OF 3
 PAGE: 26

ITEM NO.	PART NUMBER	DESCRIPTION	Disc/QTY.
1	019-2021	HARROW ARM ASSEMBLY	1
2	019-2022	HARROW BAR 9 Springs	1
3	019-3037	END CAP 100x100 RHS	2



MOUNTING TO SUIT DISCS

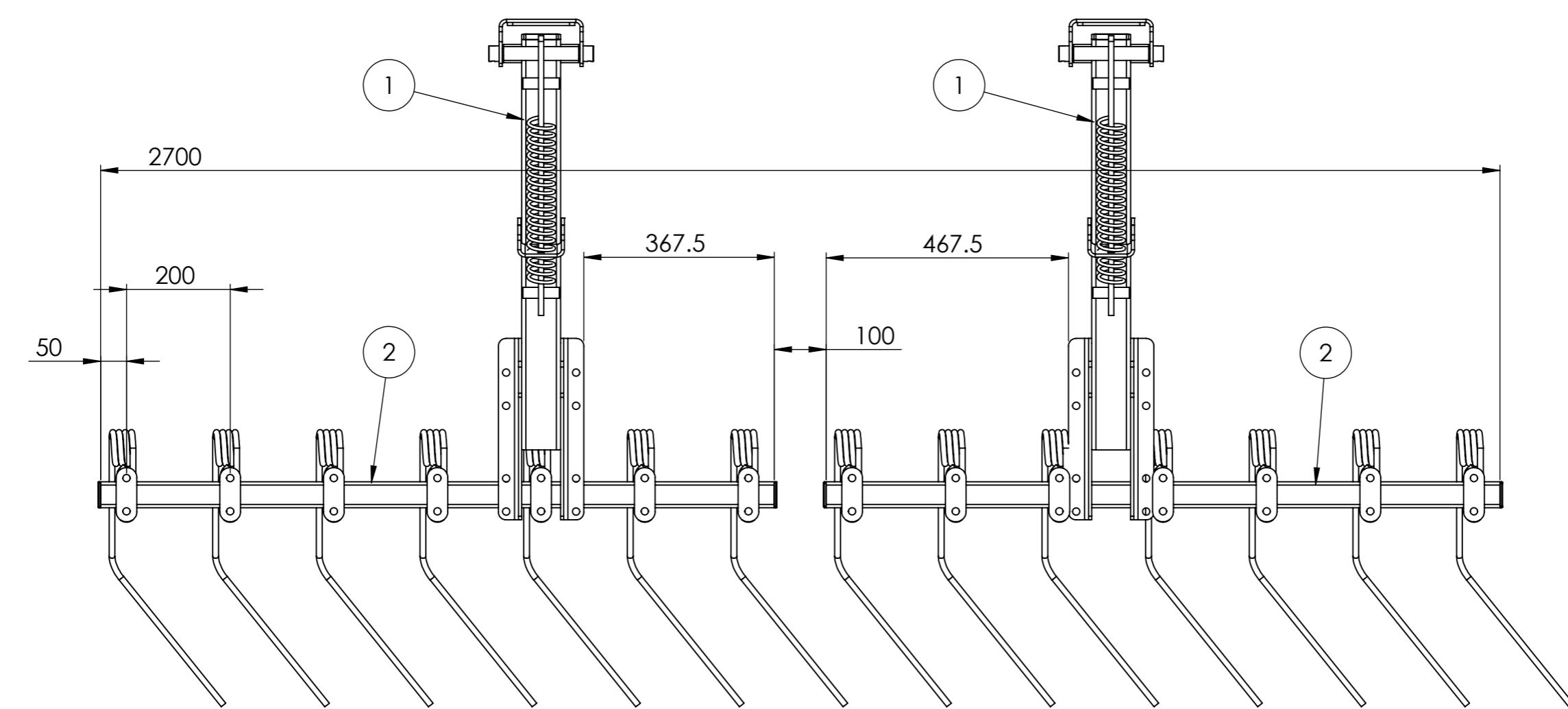
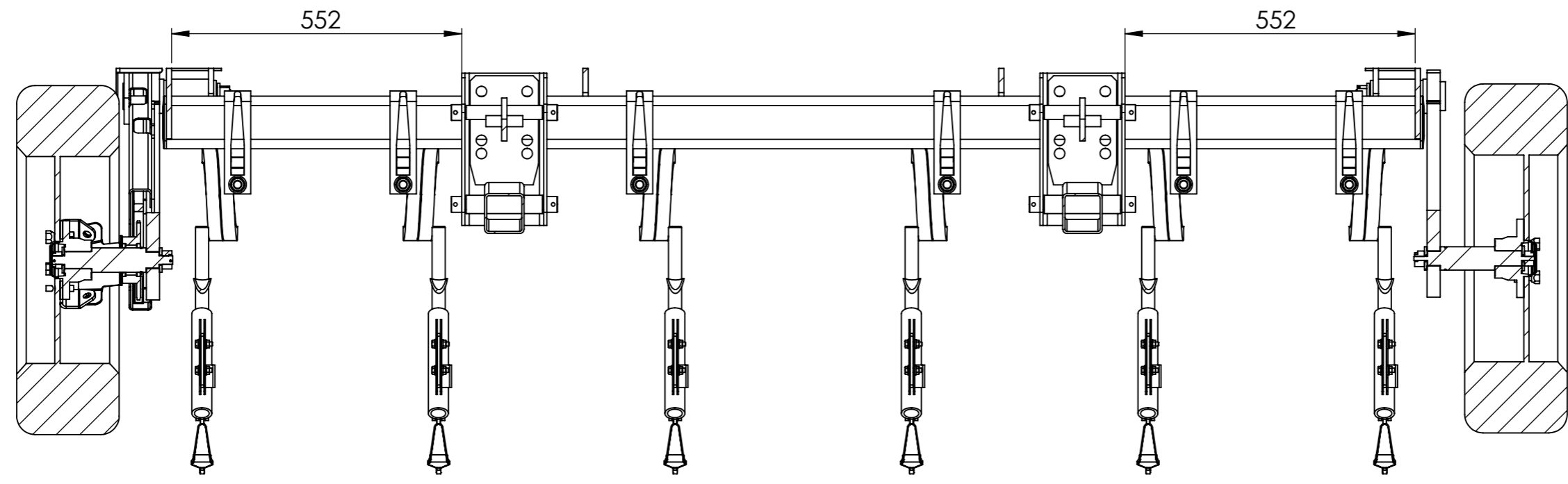
NOTE: ALL DIMENSIONS TO END OF RHS

AGROWFLOW
 COPYRIGHT RESERVED
 THIS DRAWING IS THE PROPERTY AGROWFLOW PTY LTD, AND IS SUBJECT TO RETURN UPON DEMAND. IT IS SUBMITTED FOR USE ONLY IN CONNECTION WITH PROPOSALS OR CONTRACTS OF THIS ORGANISATION UPON THE EXPRESS CONDITION THAT IT IS NOT TO BE USED DIRECTLY OR INDIRECTLY IN ANY WAY DETRIMENTAL TO THE INTERESTES OF AGROWFLOW PTY LTD.

TITLE:
AD083 10 AND 11 ROW HARROW MOUNT
 LAST PRINTED 7/08/2019

PART NUMBER
019-1028
 SHEET: 2 OF 3
 PAGE: 27

ITEM NO.	PART NUMBER	DESCRIPTION	Tyne/QTY.
1	019-2021	HARROW ARM ASSEMBLY	2
2	019-2022	HARROW BAR 7 Springs	2
3	019-3037	END CAP 100x100 RHS	4



MOUNTING TO SUIT TYNES

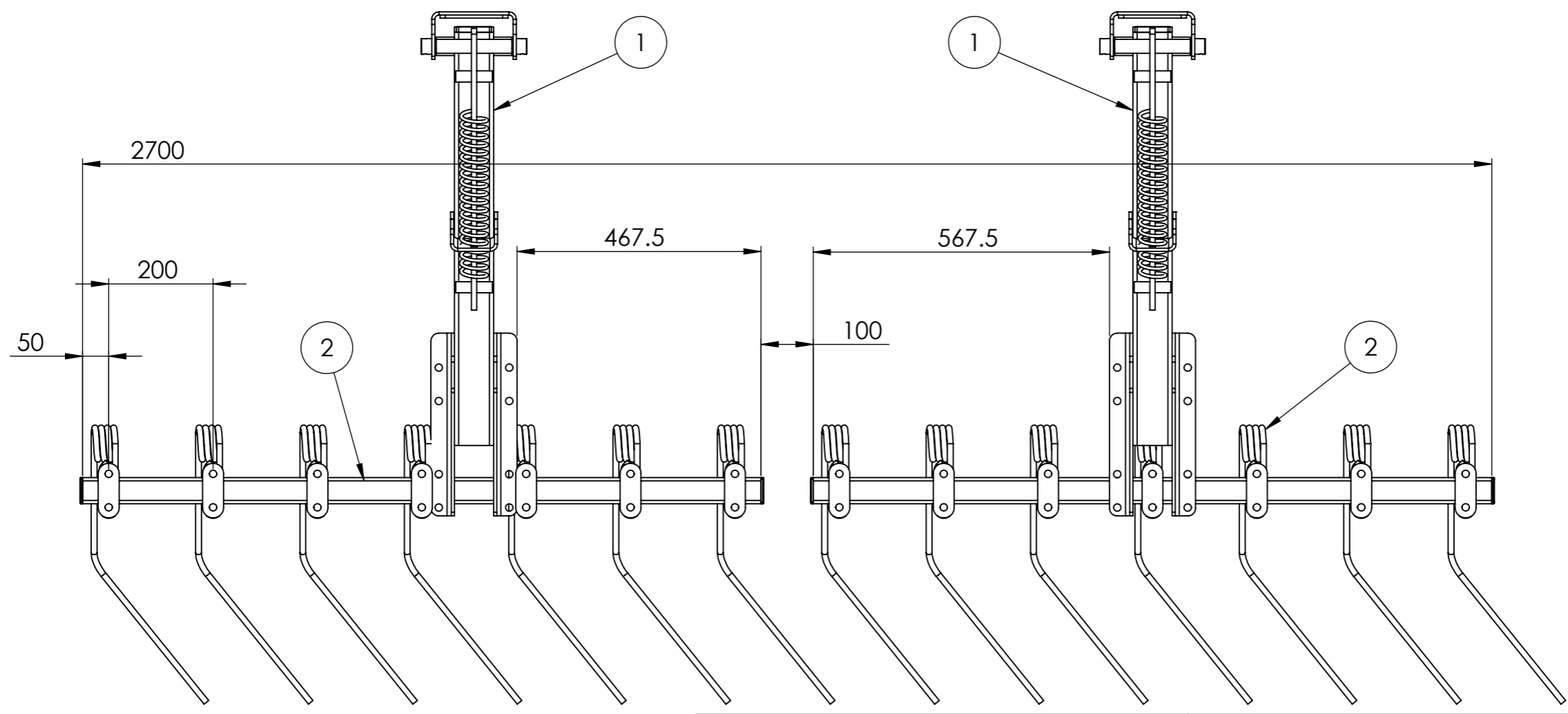
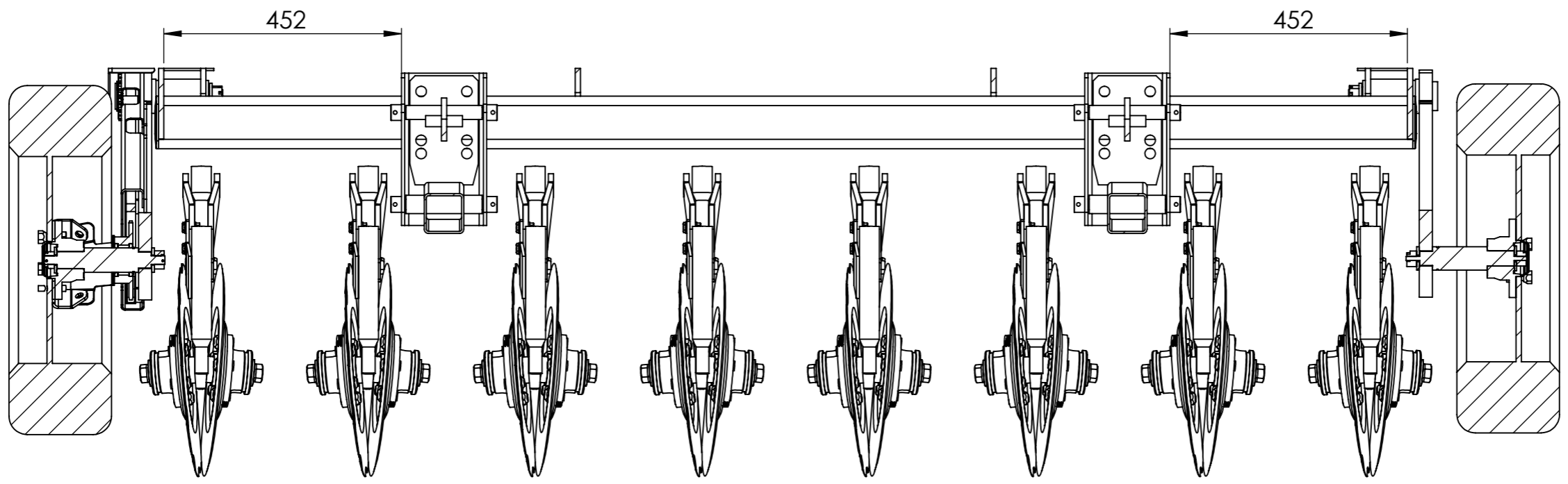
NOTE: ALL DIMENSIONS TO END OF RHS

AGROWFLOW
 COPYRIGHT RESERVED
 THIS DRAWING IS THE PROPERTY AGROWFLOW PTY LTD, AND IS SUBJECT TO RETURN UPON DEMAND. IT IS SUBMITTED FOR USE ONLY IN CONNECTION WITH PROPOSALS OR CONTRACTS OF THIS ORGANISATION UPON THE EXPRESS CONDITION THAT IT IS NOT TO BE USED DIRECTLY OR INDIRECTLY IN ANY WAY DETRIMENTAL TO THE INTERESTS OF AGROWFLOW PTY LTD.

TITLE:
AD083 17 AND 18 ROW HARROW MOUNT
 LAST PRINTED 7/08/2019

PART NUMBER
019-1029
 SHEET: PAGE:
 1 OF 2 **28**

ITEM NO.	PART NUMBER	DESCRIPTION	Tyne/QTY.
1	019-2021	HARROW ARM ASSEMBLY	2
2	019-2022	HARROW BAR 7 Springs	2
3	019-3037	END CAP 100x100 RHS	4



MOUNTING TO SUIT DISCS

NOTE: ALL DIMENSIONS TO END OF RHS

AGROWFLOW

COPYRIGHT RESERVED
THIS DRAWING IS THE PROPERTY AGROWFLOW PTY LTD, AND IS SUBJECT TO RETURN UPON DEMAND. IT IS SUBMITTED FOR USE ONLY IN CONNECTION WITH PROPOSALS OR CONTRACTS OF THIS ORGANISATION UPON THE EXPRESS CONDITION THAT IT IS NOT TO BE USED DIRECTLY OR INDIRECTLY IN ANY WAY DETRIMENTAL TO THE INTERESTS OF AGROWFLOW PTY LTD.

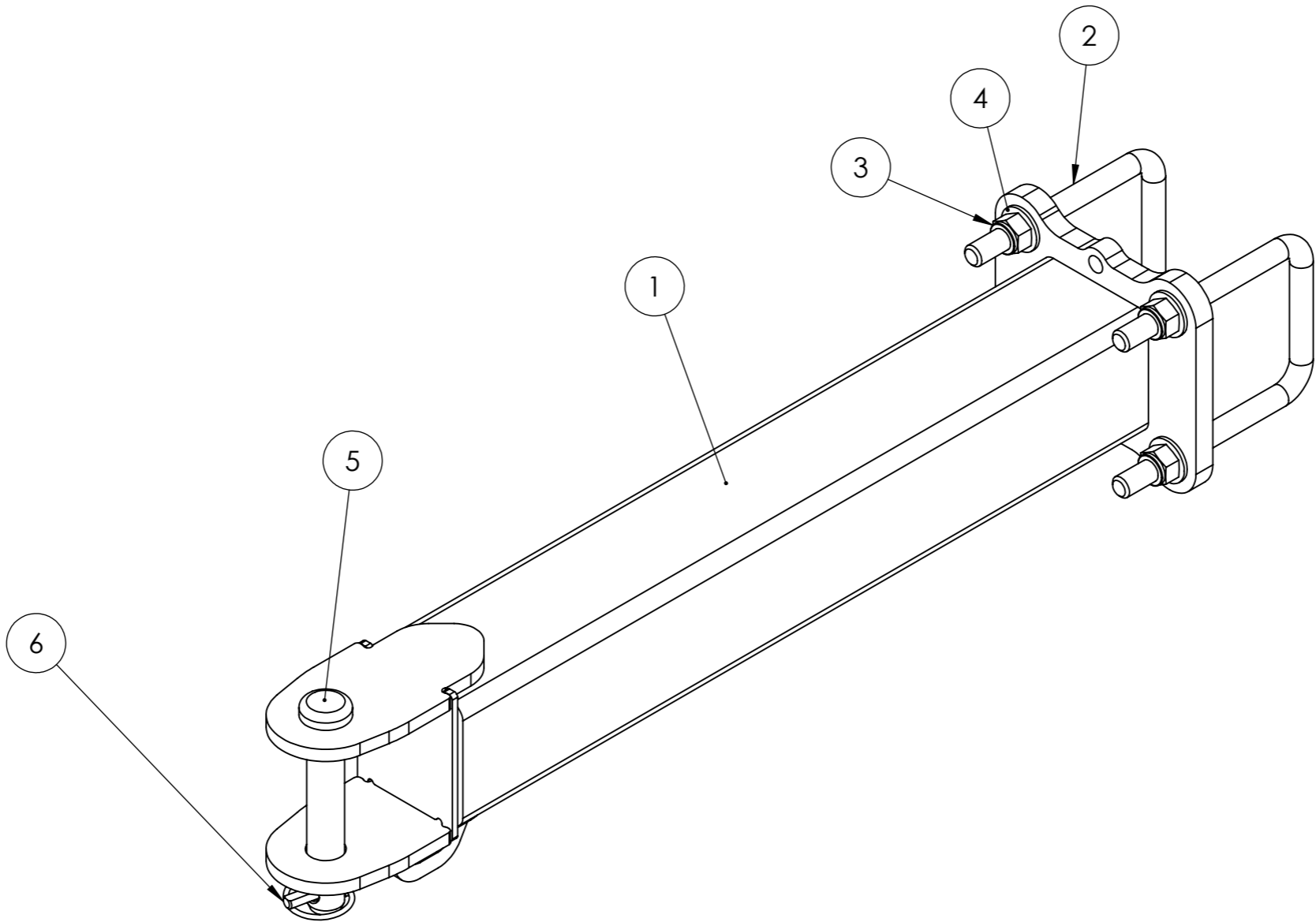
TITLE: **AD083 17 AND 18 ROW HARROW MOUNT**

PART NUMBER **019-1029**

SHEET: 2 OF 2 PAGE: **29**

LAST PRINTED 7/08/2019

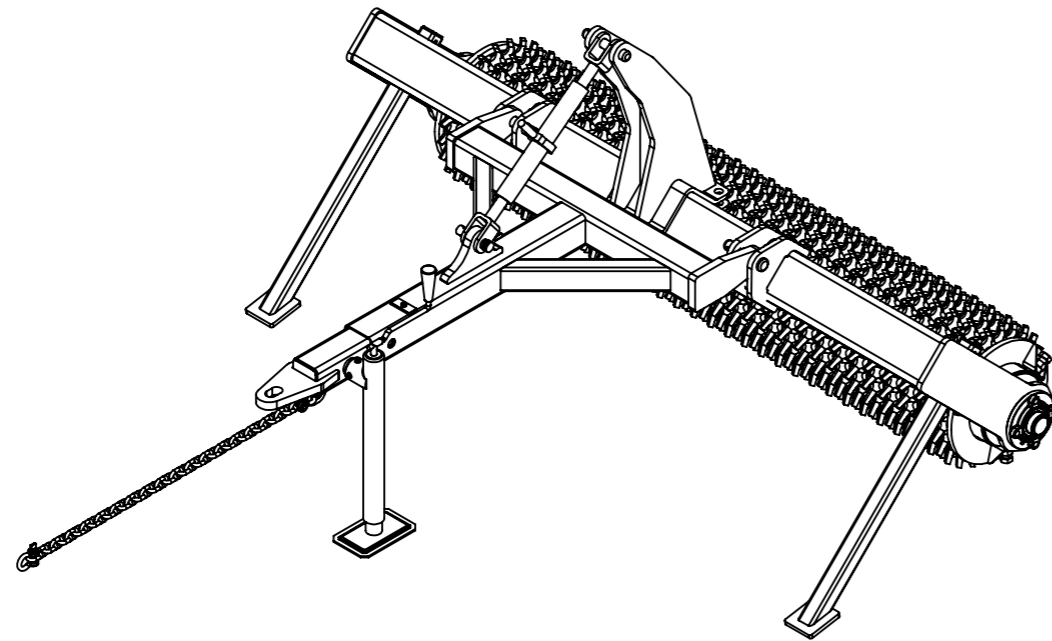
ITEM NO.	PART NUMBER	DESCRIPTION	QTY.
1	054-3006	AP11 and AD130 REAR TOW BAR	1
2	130-4101	U BOLT M16 100x100	2
3	134-4023	M16 HEX NYLOCK NUT ZINC PLATED GR 8.8	4
4	135-3036	WASHER FLAT M16	4
5	140-0012	PIN CLEVIS 1" 136mm CAT2 LOWER	1
6	140-0039	LINCH PIN 11mm 32mm	1



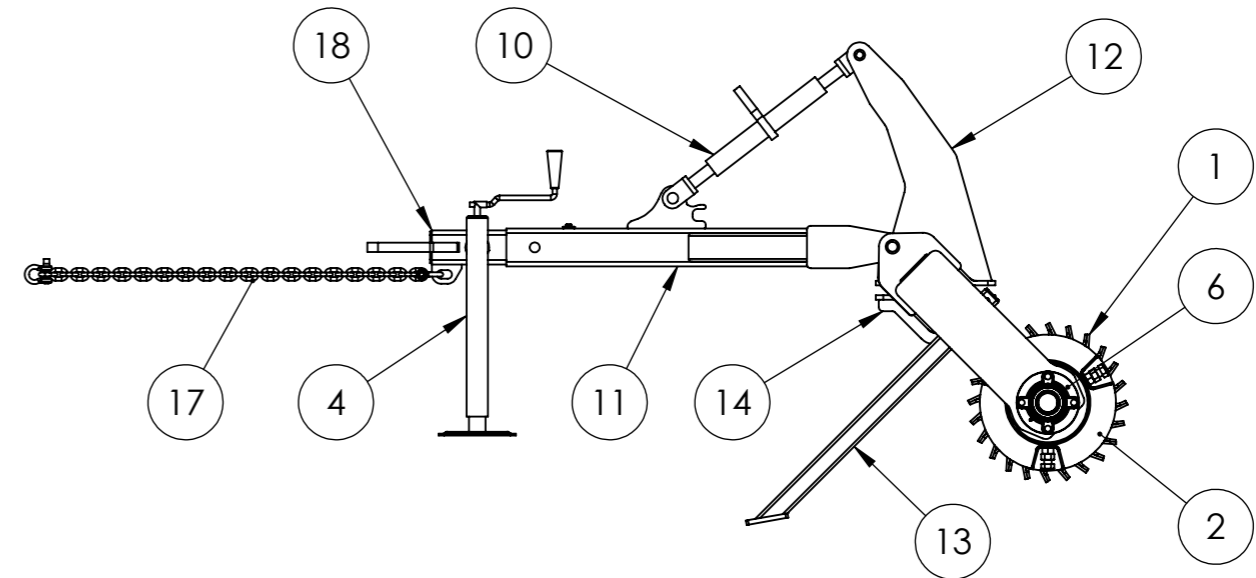
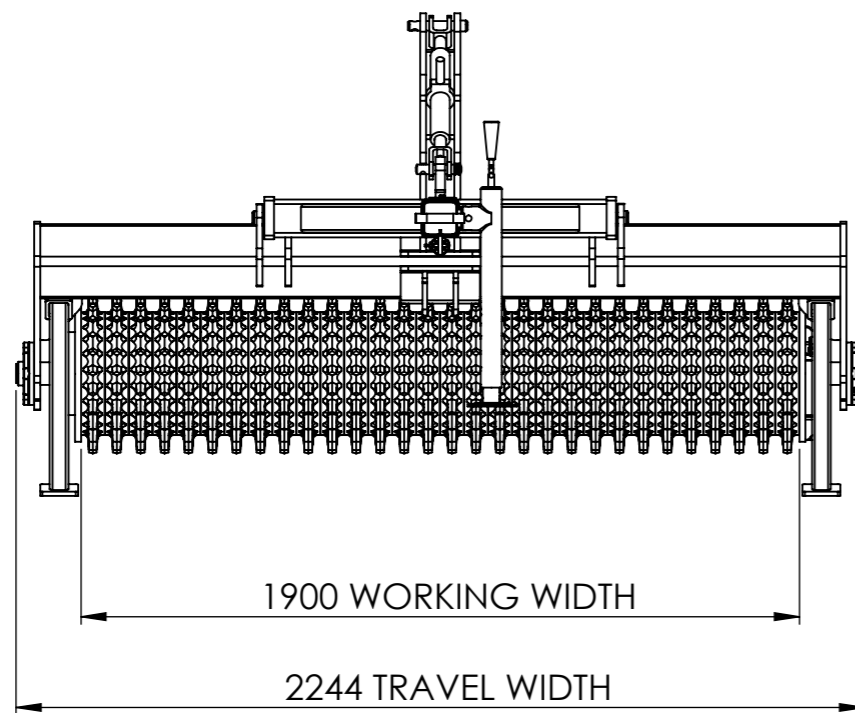
LIMITATIONS:
 AD083, DO NOT PAIR THE REAR TOW HICH WITH HARROWS ON THE 10x175 OR 11x159 MODELS. AGROWFLOW WILL NOT WARRANT THIS ASSEMBLY
 AD083, DO NOT TOW A FLEXIROLLER WITH HYDRAULIC LIFT KIT. AGROWFLOW WILL NOT WARRANT THIS ASSEMBLY

NOTES:
 SUITS 7 SHANK AP11 AND ALL MODELS OF AD083
 SAFETY CHAIN NOT INCLUDED, IF REQUIRED SEE PART 451-1022

AGROWFLOW	TITLE: AP11 and AD083 REAR TOW HITCH CENTRAL	PART NUMBER 054-2003		
COPYRIGHT RESERVED THIS DRAWING IS THE PROPERTY AGROWFLOW PTY LTD, AND IS SUBJECT TO RETURN UPON DEMAND. IT IS SUBMITTED FOR USE ONLY IN CONNECTION WITH PROPOSALS OR CONTRACTS OF THIS ORGANISATION UPON THE EXSPRESS CONDITION THAT IT IS NOT TO BE USED DIRECTLY OR INDIRECTLY IN ANY WAY DETRIMENTAL TO THE INTERESTES OF AGROWFLOW PTY LTD.		LAST PRINTED 18/09/2019	TOTAL MASS 19.58 Kg	
			SHEET: 1 OF 1	PAGE: 30

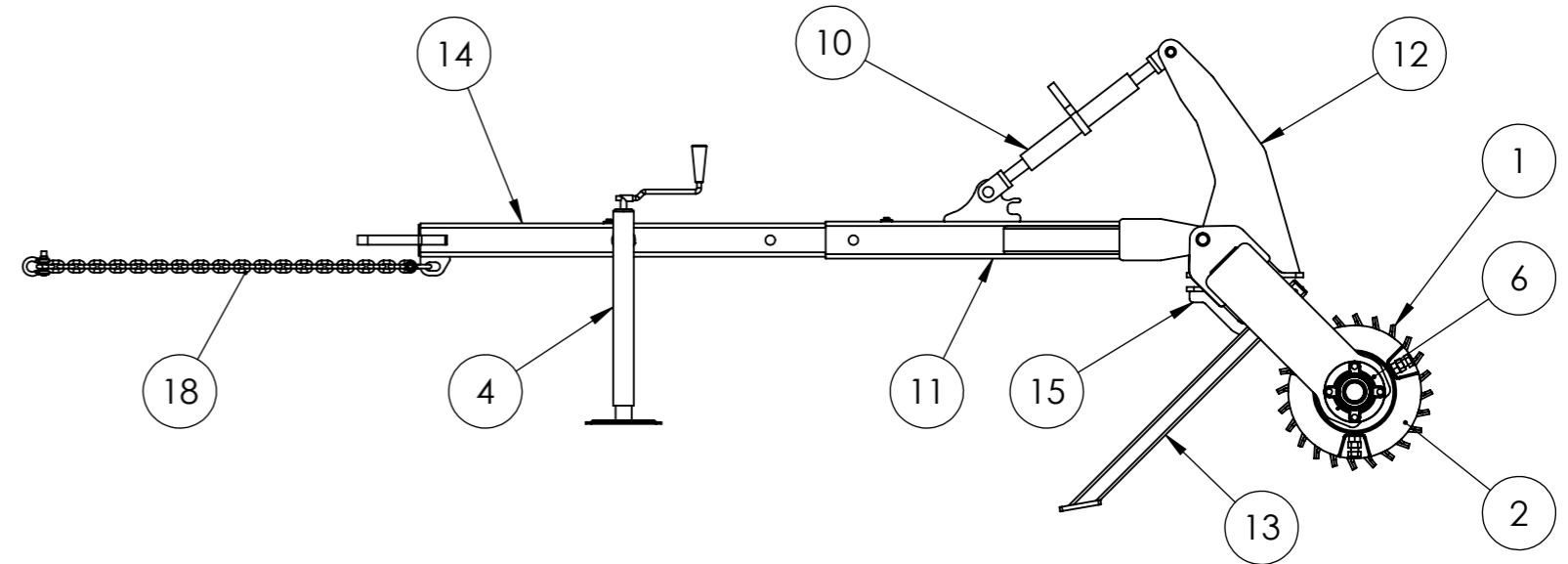
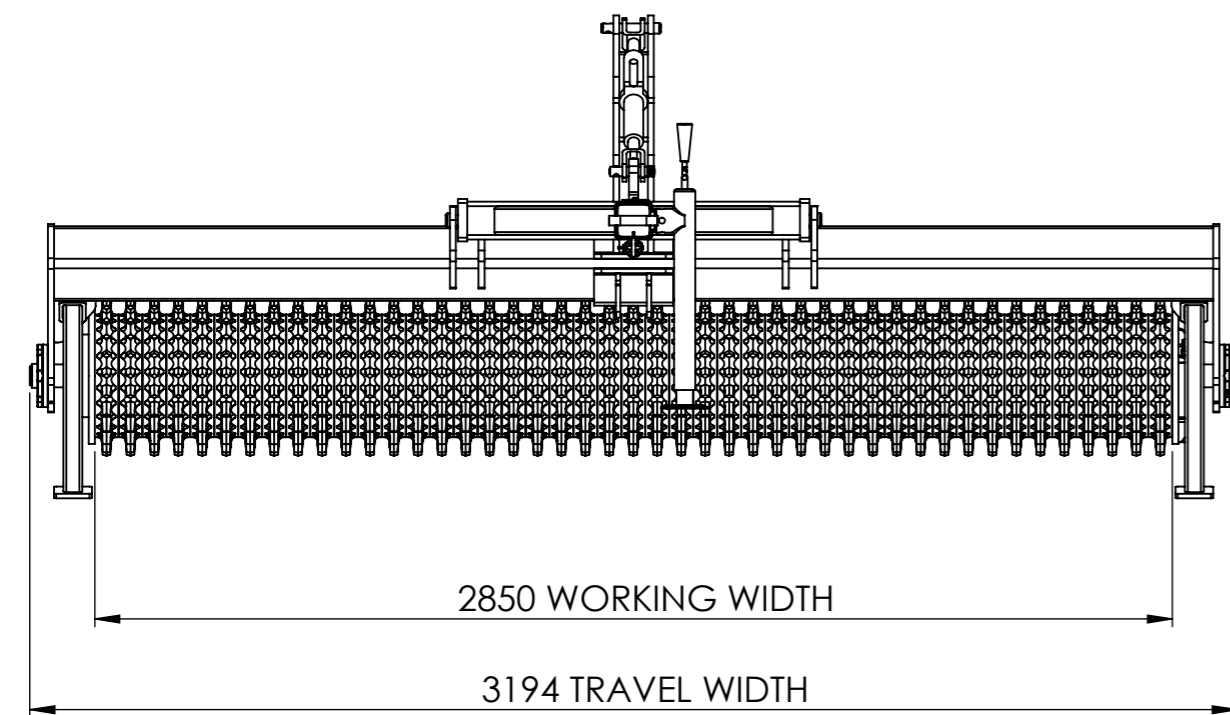
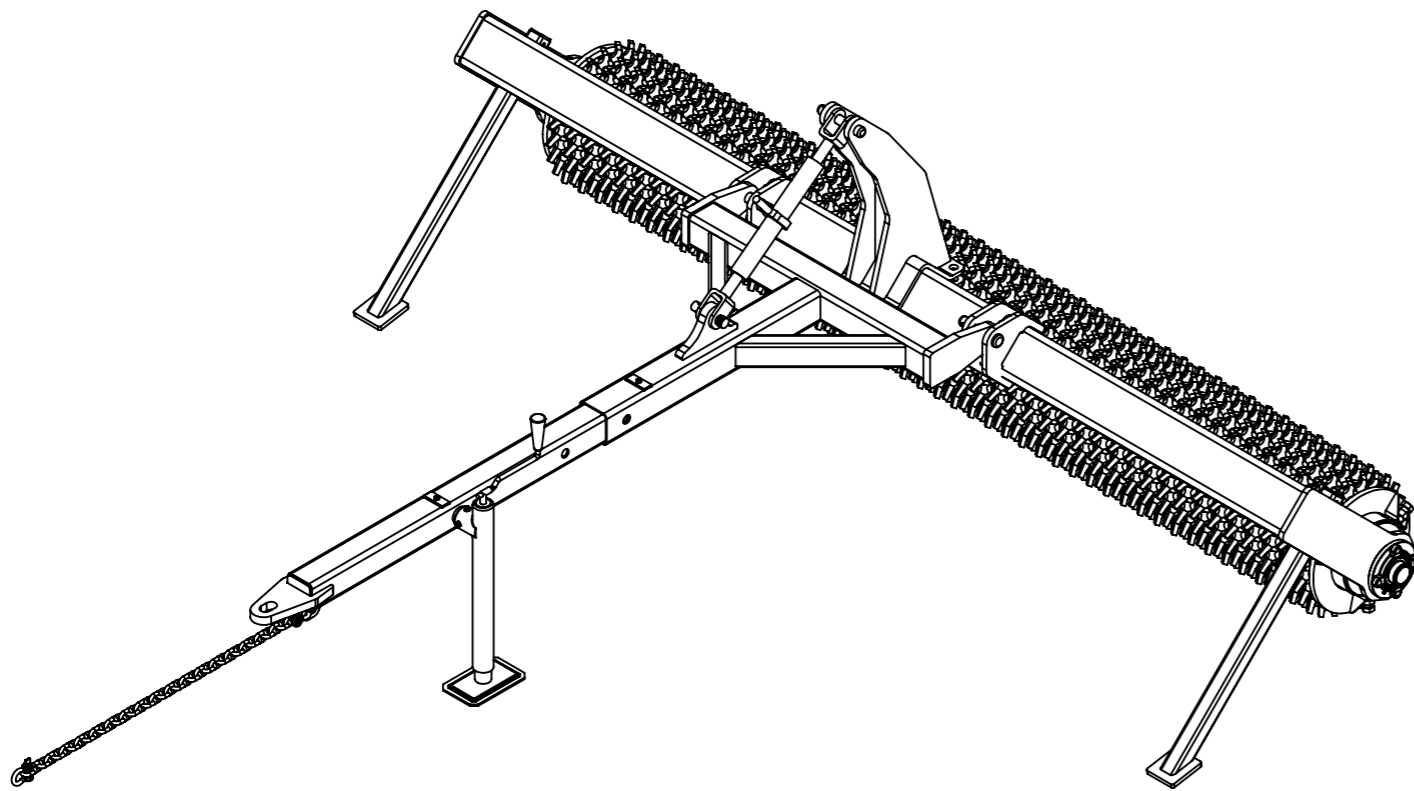


ITEM NO.	PART NUMBER	DESCRIPTION	1.9m/QTY.
1	093-3001	FLEXIROLLER RING	30
2	093-3014	FLEXIROLLER RETAINING RING	1
3	093-4020	FLEXIROLLER SPACER	2
4	112-0001	JACKSTAND 1.5t ROUND	1
5	115-7004	BEARING	2
6	138-0052	BEARING HOUSING	2
7	140-0003	PIN CLEVIS 1 1/18" 105mm CAT2 LOWER	2
8	140-0004	PIN CLEVIS 1" 115mm CAT 2 TOP	1
9	140-4039	PIN CLEVIS 1" 76mm CAT2	1
10	142-4210	RATCHET RAM 514-717mm	1
11	451-1000	FLEXIROLLER MK2 TOW FRAME AF2500-5250	1
12	451-1006	FLEXIROLLER MK2 LEVER ARM ASSY	1
13	451-1007	FLEXIROLLER MK2 TRANSPORT BAR FLEXI ROLLER	2
14	451-1009	FLEXIROLLER MK2 LEVER ARM BOTTOM MOUNT	1
15	451-1016	FLEXIROLLER MK2 CARRIER BAR	1
16	451-1017	FLEXIROLLER MK2 ROTOR ASSEMBLY	1
17	451-1022	TOW CHAIN SAFETY SEED DRILL	1
18	451-1023	FLEXIROLLER MK2 TOWBAR WELD ASSY. Less than 2250	1



NOTE:
 THIS FLEXIROLLER SUITS THE AD083 10x175 AND 11x159 MACHINES
 CAN NOT BE PAIRED WITH ROAD KIT WHEN FITTED TO AN AD083
 CAN NOT BE PAIRED WITH HARROWS WHEN FITTED TO AN AD083

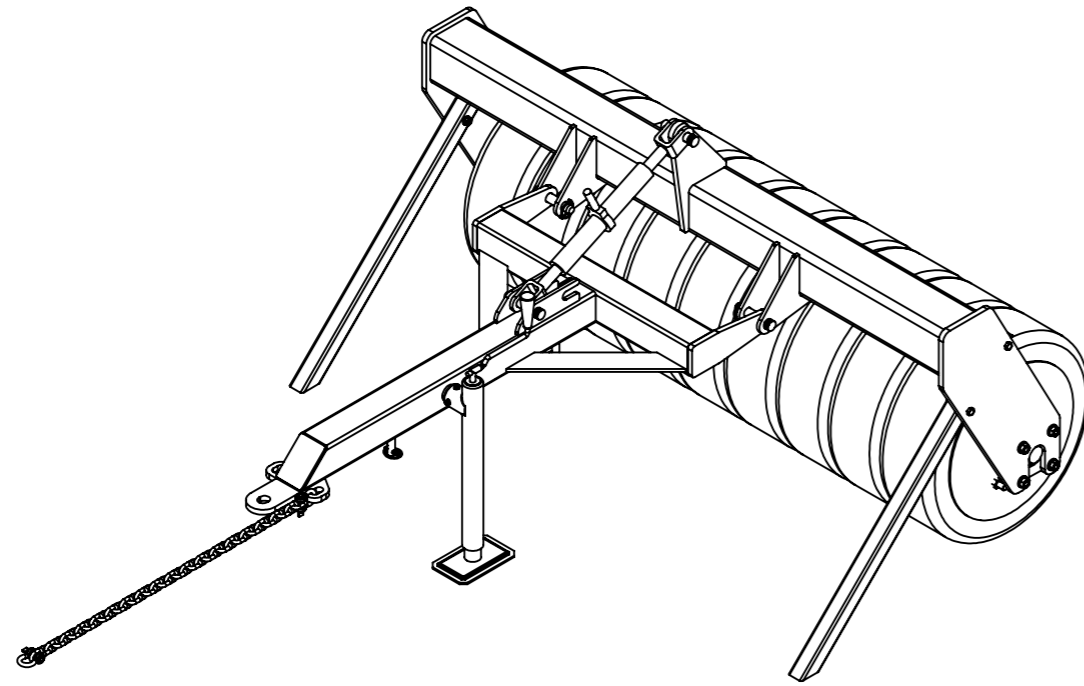
AGROWFLOW <small>COPYRIGHT RESERVED</small> <small>THIS DRAWING IS THE PROPERTY AGROWFLOW PTY LTD, AND IS SUBJECT TO RETURN UPON DEMAND. IT IS SUBMITTED FOR USE ONLY IN CONNECTION WITH PROPOSALS OR CONTRACTS OF THIS ORGANISATION UPON THE EXPRESS CONDITION THAT IT IS NOT TO BE USED DIRECTLY OR INDIRECTLY IN ANY WAY DETRIMENTAL TO THE INTERESTES OF AGROWFLOW PTY LTD.</small>	TITLE: AF1902 MK2 FLEXIROLLER TRL suits AD083 10x175 and 11x159 <small>LAST PRINTED 18/09/2019 TOTAL MASS Kg</small>		PART NUMBER 451-1902	
	<small>SHEET: 1 OF 1</small>		<small>PAGE: 31</small>	



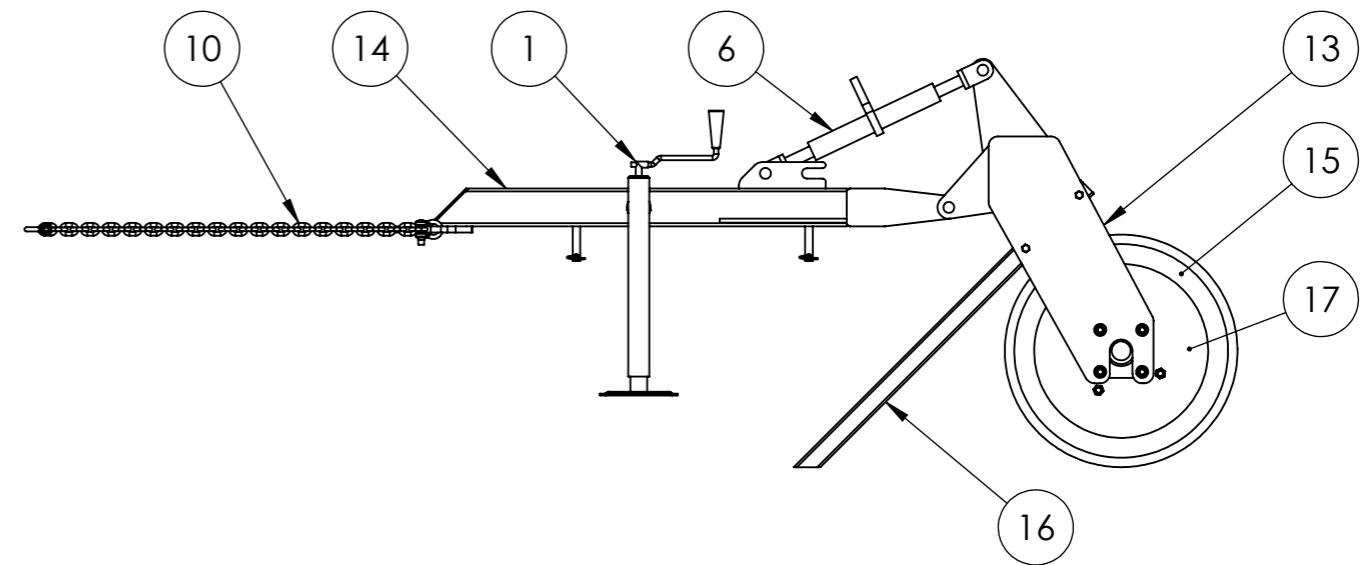
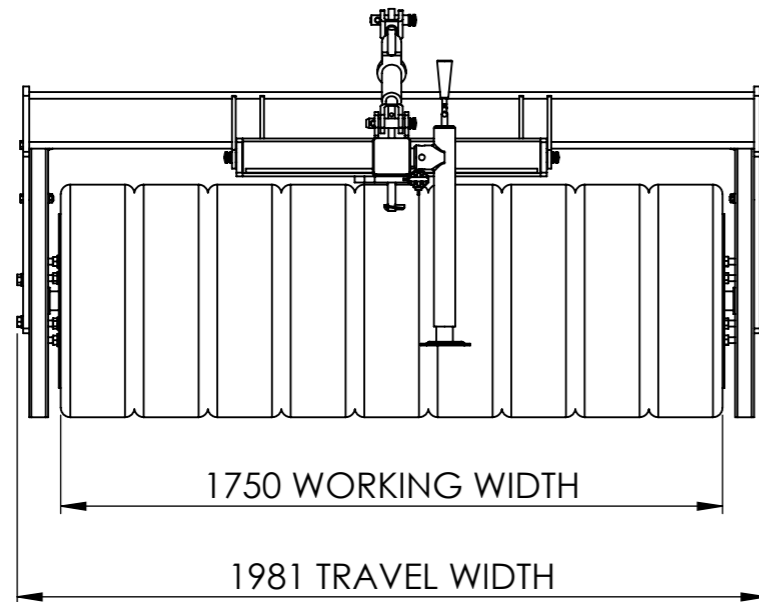
ITEM NO.	PART NUMBER	DESCRIPTION	2.85m/QTY.
1	093-3001	FLEXIROLLER RING	45
2	093-3014	FLEXIROLLER RETAINING RING	1
3	093-4020	FLEXIROLLER SPACER	2
4	112-0001	JACKSTAND 1.5t ROUND	1
5	115-7004	BEARING	2
6	138-0052	BEARING HOUSING	2
7	140-0003	PIN CLEVIS 1 1/18" 105mm CAT2 LOWER	2
8	140-0004	PIN CLEVIS 1" 115mm CAT 2 TOP	1
9	140-4039	PIN CLEVIS 1" 76mm CAT2	1
10	142-4210	RATCHET RAM 514-717mm	1
11	451-1000	FLEXIROLLER MK2 TOW FRAME AF2500-5250	1
12	451-1006	FLEXIROLLER MK2 LEVER ARM ASSY	1
13	451-1007	FLEXIROLLER MK2 TRANSPORT BAR FLEXI ROLLER	2
14	451-1008	FLEXIROLLER MK2 TOWBAR WELD ASSY. 2500 - 3750	1
15	451-1009	FLEXIROLLER MK2 LEVER ARM BOTTOM MOUNT	1
16	451-1016	FLEXIROLLER MK2 CARRIER BAR	1
17	451-1017	FLEXIROLLER MK2 ROTOR ASSEMBLY	1
18	451-1022	TOW CHAIN SAFETY SEED DRILL	1

NOTE:
THIS FLEXIROLLER SUITS THE AD083 18x150 AND 17x159 MACHINES
CAN NOT BE PAIRED WITH ROAD KIT WHEN FITTED TO AN AD083

<p>AGROWFLOW</p> <p><small>COPYRIGHT RESERVED</small></p> <p><small>THIS DRAWING IS THE PROPERTY AGROWFLOW PTY LTD, AND IS SUBJECT TO RETURN UPON DEMAND. IT IS SUBMITTED FOR USE ONLY IN CONNECTION WITH PROPOSALS OR CONTRACTS OF THIS ORGANISATION UPON THE EXPRESS CONDITION THAT IT IS NOT TO BE USED DIRECTLY OR INDIRECTLY IN ANY WAY DETRIMENTAL TO THE INTERESTS OF AGROWFLOW PTY LTD.</small></p>	<p>TITLE: AF1902 MK2</p> <p>FLEXIROLLER TRL suits</p> <p>AD083 18x150 and 17x159</p> <p><small>LAST PRINTED 18/09/2019</small></p>	<p>PART NUMBER</p> <p>451-2852</p>
	<p><small>TOTAL MASS Kg</small></p>	<p>SHEET: 1 OF 1</p> <p>PAGE: 32</p>

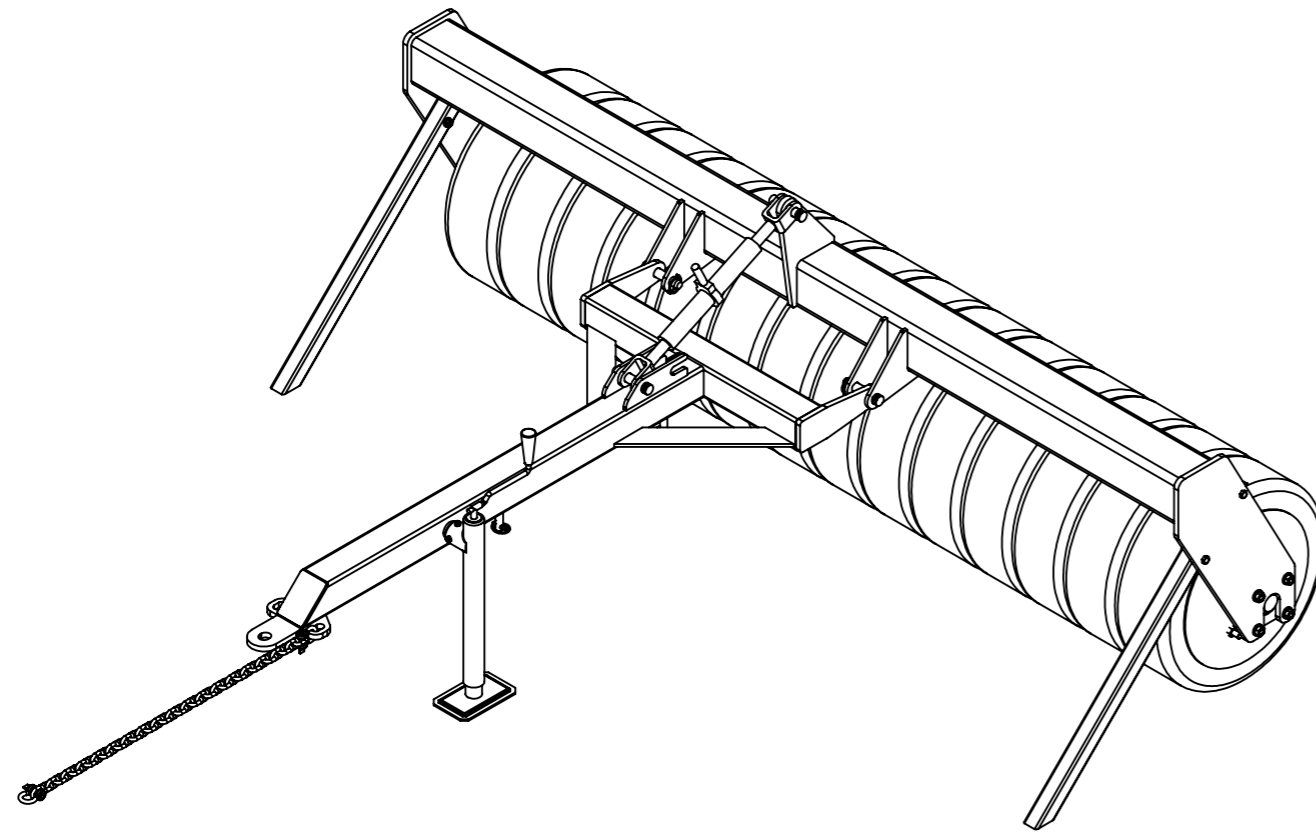


ITEM NO.	PART NUMBER	DESCRIPTION	1.75m/QTY.
1	112-0001	JACKSTAND 1.5t ROUND	1
2	133-4121	M16 x 50 HEX BOLT ZINC GR8.8	8
3	140-0039	LINCH PIN 11mm 32mm	4
4	140-4039	PIN CLEVIS 1" 76mm CAT2	1
5	140-4041	CLEVIS PIN 1" 87mm	3
6	142-4210	RATCHET RAM 514-717mm	1
7	202-0053	M12 HEX NUT ZINC FLANGE GR 8.8	4
8	202-0081	M12 x 80 HEX BOLT ZINC GR8.8	4
9	202-0120	M16 HEX NUT ZINC FLANGE GR 8.8	16
10	451-1022	TOW CHAIN SAFETY SEED DRILL	1
11	456-2010	FLANGE BEARING UCF210	2
12	456-3001	ROLLER AXLE 2019 MODEL MK4	1
13	456-3011	RUBBER TYRE ROLLER FRAME	1
14	456-3030	RUBBER TYRE ROLLER HITCH	1
15	456-4010	WHEEL 195/60R15 INFINITY	1
16	456-4012	RUBBER TYRE ROLLER LEG	2
17	456-4013	RUBER TYRE ROLLER END PLATE	2

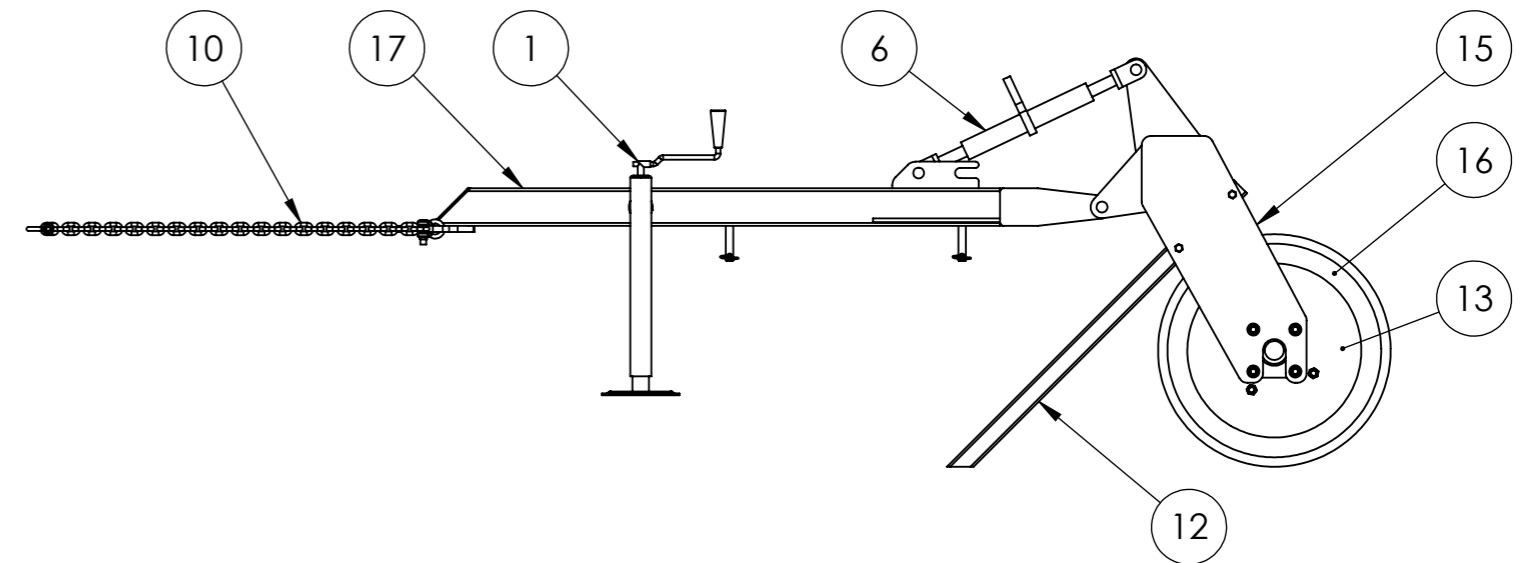
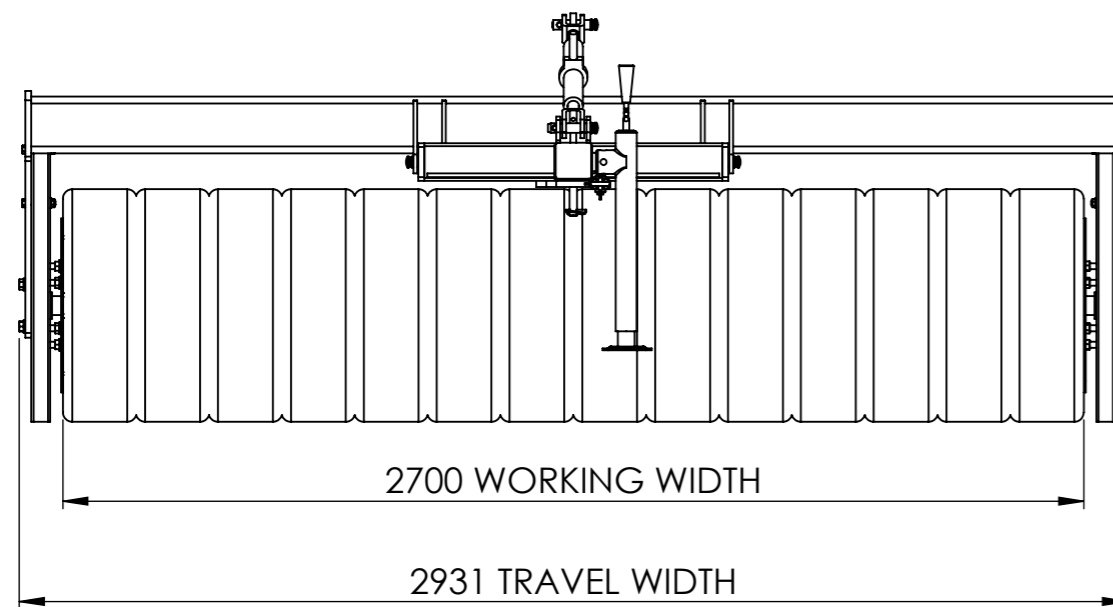


NOTE:
THIS RUBBER TYRE ROLLER SUITS THE AD083 10x175 & 11x159 MACHINES
CAN NOT BE PAIRED WITH HARROWS WHEN FITTED TO AN AD083

AGROWFLOW <small>COPYRIGHT RESERVED</small> <small>THIS DRAWING IS THE PROPERTY AGROWFLOW PTY LTD, AND IS SUBJECT TO RETURN UPON DEMAND. IT IS SUBMITTED FOR USE ONLY IN CONNECTION WITH PROPOSALS OR CONTRACTS OF THIS ORGANISATION UPON THE EXPRESS CONDITION THAT IT IS NOT TO BE USED DIRECTLY OR INDIRECTLY IN ANY WAY DETRIMENTAL TO THE INTERESTES OF AGROWFLOW PTY LTD.</small>	TITLE: 1.75MTR RUBBER TYRE ROLLER suits AD083 10x175 11x159 <small>LAST PRINTED 18/09/2019 TOTAL MASS 398.63 Kg</small>		PART NUMBER 456-1009 <small>SHEET: 1 OF 1 PAGE: 33</small>	



ITEM NO.	PART NUMBER	DESCRIPTION	2.7m/QTY.
1	112-0001	JACKSTAND 1.5t ROUND	1
2	133-4121	M16 x 50 HEX BOLT ZINC GR8.8	8
3	140-0039	LINCH PIN 11mm 32mm	4
4	140-4039	PIN CLEVIS 1" 76mm CAT2	1
5	140-4041	CLEVIS PIN 1" 87mm	3
6	142-4210	RATCHET RAM 514-717mm	1
7	202-0053	M12 HEX NUT ZINC FLANGE GR 8.8	4
8	202-0081	M12 x 80 HEX BOLT ZINC GR8.8	4
9	202-0120	M16 HEX NUT ZINC FLANGE GR 8.8	16
10	451-1022	TOW CHAIN SAFETY SEED DRILL	1
11	456-2010	FLANGE BEARING UCF210	2
12	456-4012	RUBBER TYRE ROLLER LEG	2
13	456-4013	RUBER TYRE ROLLER END PLATE	2
14	456-3001	ROLLER AXLE 2019 MODEL MK4	1
15	456-3011	RUBBER TYRE ROLLER FRAME	1
16	456-4010	WHEEL 195/60R15 INFINITY	1
17	456-3030	RUBBER TYRE ROLLER HITCH	1



NOTE:
THIS RUBBER TYRE ROLLER SUITS THE AD083 18x150 & 17x159 MACHINES

<p>AGROWFLOW</p> <p><small>COPYRIGHT RESERVED</small></p> <p><small>THIS DRAWING IS THE PROPERTY AGROWFLOW PTY LTD, AND IS SUBJECT TO RETURN UPON DEMAND. IT IS SUBMITTED FOR USE ONLY IN CONNECTION WITH PROPOSALS OR CONTRACTS OF THIS ORGANISATION UPON THE EXPRESS CONDITION THAT IT IS NOT TO BE USED DIRECTLY OR INDIRECTLY IN ANY WAY DETRIMENTAL TO THE INTERESTES OF AGROWFLOW PTY LTD.</small></p>	<p>TITLE: 2.7MTR RUBBER TYRE ROLLER suits</p> <p>AD083 18x150 17x159</p> <p><small>LAST PRINTED 18/09/2019</small></p>	<p>PART NUMBER 456-1009</p> <p>SHEET: 1 OF 1</p> <p>PAGE: 34</p>
	<p><small>TOTAL MASS 398.63 Kg</small></p>	