



# 700 COIL TYNE

**TABLE OF CONTENTS**

700 Coil Tyne Assembly Diagram ..... 3

700 Coil Tyne Assembly List Left And Right ..... 4

Seed Tube Options ..... 5

    1<sup>st</sup> Seed tube ..... 5

        114-4244 ..... 5

    2<sup>nd</sup> Seed tube ..... 5

        114-4237 ..... 5

        114-1118 ..... 5

Common Components ..... 6

    Baker Boot ..... 6

        114-3108 ..... 6

    Seed Cup ..... 6

        38mm Style ..... 6

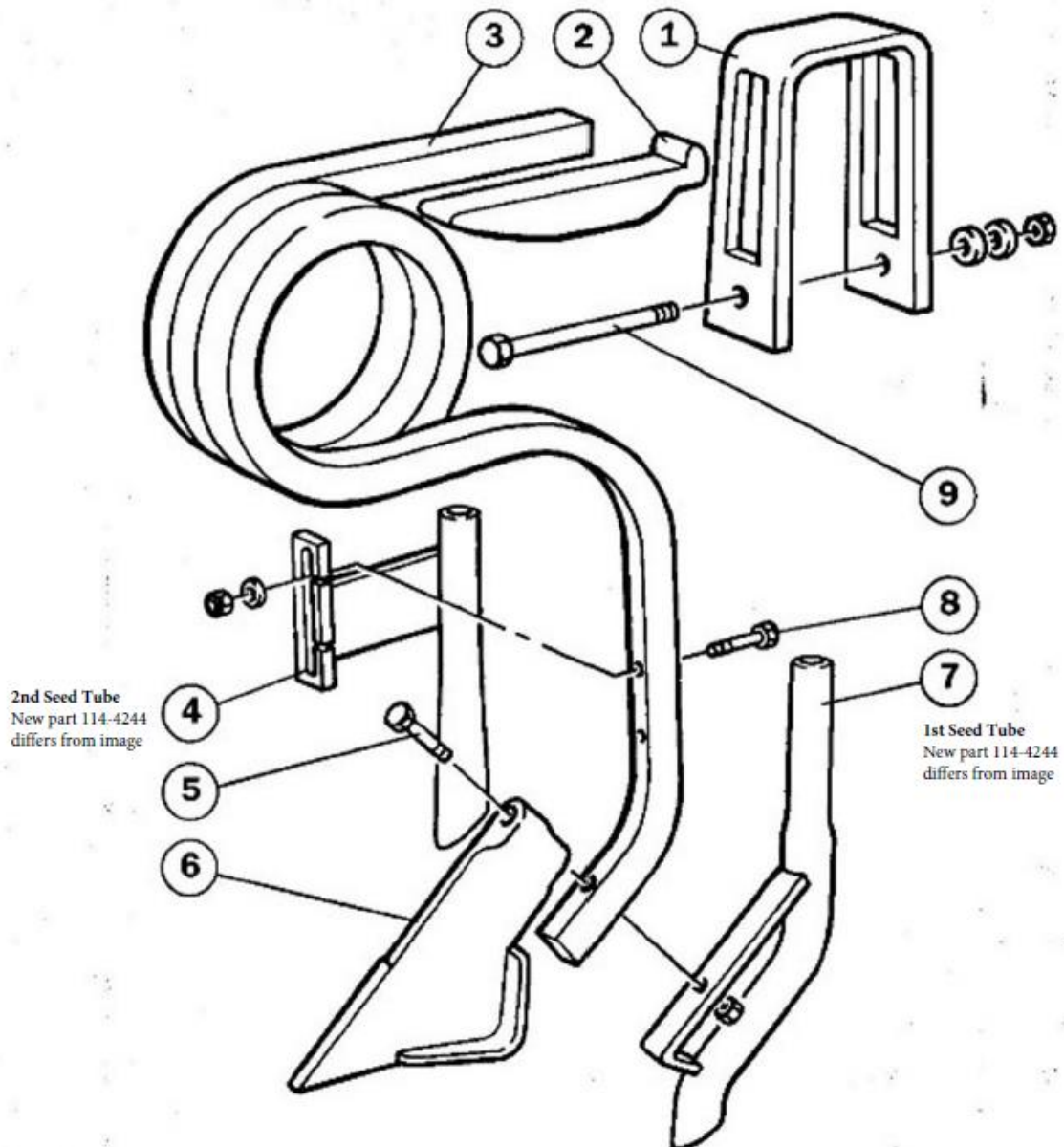
        31.5mm Style ..... 7

Reducer ..... 7

    114-3114 ..... 7

700 COIL TYNE ASSEMBLY DIAGRAM

# 700 Coil Tyne



700 COIL TYNE ASSEMBLY LIST LEFT AND RIGHT

ITEM NO.	DESCRIPTION	LEFT HAND	RIGHT HAND	QTY
	<b>700 SERIES TYNES PARTS ONLY AVAILABLE</b>	<b>114-1028</b>	<b>114-1029</b>	
1	COIL TYNE CLAMP	115-3009	115-3009	1
2	WEDGE	115-3010	115-3010	1
3	COIL TYNE	115-3119	115-3118	1
4	2ND SEED TUBE	114-4237	114-4237	1
5	PLOW HEAD BOLT 1/2"x 3" + NUT	133-1057	133-1057	1
6	700 SERIES BAKER BOOT	114-3108	114-3108	1
7	1 <sup>ST</sup> SEED TUBE	114-4244	114-4244	1
8	BOLT 5/16"x 1 1/2"	133-0060	133-0060	2
8A	5/16" SPRING WASHER	135-0020	135-0020	2
9	TYNE CLAMP BOLT (INC NUT+ WASHER)	115-4002	115-4002	1
10	SINGLE SEED CUP	113-3112	113-3112	1
11	SEED HOSE 38mm	219-4010	219-4010	2m
<b>NOT AVAILABLE AS AN ASSEMBLY</b>				
	<b>OPTIONS</b>	<b>PART NO</b>	<b>QTY</b>	
	DOUBLE SEED CUP	113-3124	1	
	RUBBER 2 <sup>ND</sup> SEED TUBE	114-1118	1	
	STEEL 2 <sup>ND</sup> SEED TUBE	114-4237	1	
	<b>OLD 31.5mm STYLE ITEMS</b>	<b>PART NO</b>	<b>QTY</b>	
	SINGLE SEED CUP	115-1012	1	
	DOUBLE SEED CUP	115-2024	1	
	31mm SEED HOSE	400-0008	2m	
	1 <sup>ST</sup> SEED TUBE	114-4244 + REDUCER 114-3114	1	
	RUBBER 2 <sup>ND</sup> SEED TUBE	114-1118 + REDUCER 114-3114	1	
	STEEL 2 <sup>ND</sup> SEED TUBE	114-3211 + REDUCER 114-3114	1	
	<b>BAKER BOOT OPTIONS</b>			
	BAKER BOOT WITH TUNGSTEN TIP AND TUNGSTEN HARD FACE	114-3108	1	

SEED TUBE OPTIONS

1<sup>ST</sup> SEED TUBE

114-4244



2<sup>ND</sup> SEED TUBE

114-4237



2<sup>nd</sup> Seed Tube, Steel  
38mm

114-1118



2<sup>nd</sup> Tube, Rubber  
38mm

COMMON COMPONENTS

BAKER BOOT

114-3108



Baker Boot with Tungsten Tip and Tungsten Hard Face

SEED CUP

38MM STYLE

113-3112



Single Seed Cup

113-3124



Double Seed Cup

---

31.5MM STYLE

---

115-1012



Single Seed Cup

115-2024



Double Seed Cup

REDUCER

114-3114



38mm to 31.5mm Reducer