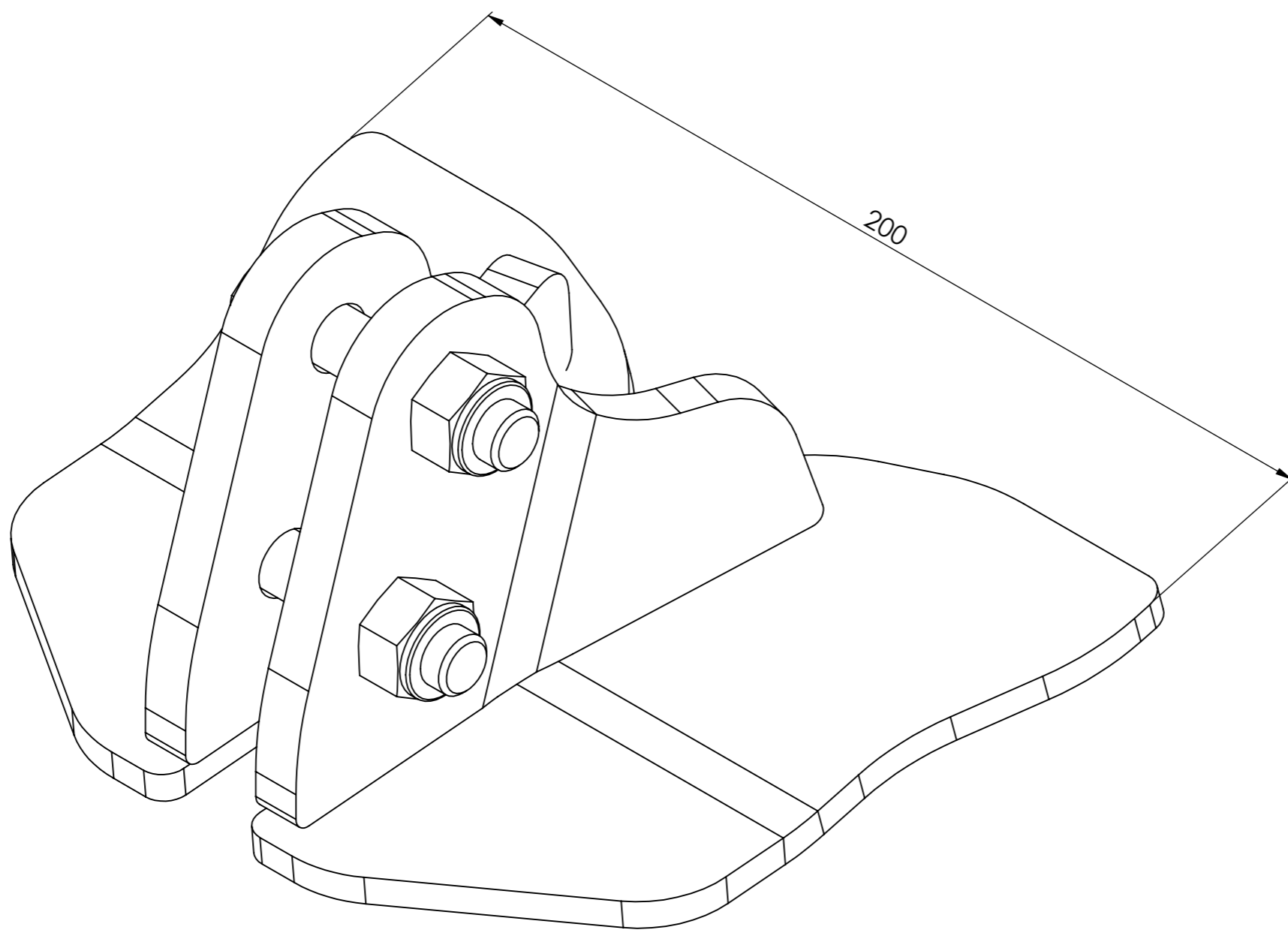


ITEM NO.	PART NUMBER	DESCRIPTION	QTY.
1	025-3001	#9 SHANK SWEEP: 200 WIDE	1
2	133-4125	M12 x 55 HEX BOLT ZINC	2
3	134-4016	M12 HEX NYLOCK NUT ZINC PLATED	2



SWEEPS ARE DESIGNED FOR THE #9 SHANK ASSEMBLY AND CAN FIT TO ANY SHANK WITH 22MM 1/2" HOLES. SWEEPS INCREASE THE SHANKS EFFECT ON THE GROUND, WIDENING THE VOLUME OF LIFTED SOIL. SWEEPS ARE SUPPLIED WITH HARDWARE AND HARDFACED.

SWEEPS WILL AFFECT TRACTOR DRAFT REQUIREMENTS AND RECOIL ACTION. NOT ALL PLOUGHS CAN BE FITTED WITH SWEEPS ON THEIR FRONT ROW. CHECK SHANK RECOIL, CLEARANCE TO FRAME AND CLEARANCE TO ANY TRAILING EQUIPMENT BEFORE PURCHASE.

AGROWFLOW
 COPYRIGHT RESERVED
 THIS DRAWING IS THE PROPERTY AGROWFLOW PTY LTD, AND IS SUBJECT TO RETURN UPON DEMAND. IT IS SUBMITTED FOR USE ONLY IN CONNECTION WITH PROPOSALS OR CONTRACTS OF THIS ORGANISATION UPON THE EXPRESS CONDITION THAT IT IS NOT TO BE USED DIRECTLY OR INDIRECTLY IN ANY WAY DETRIMENTAL TO THE INTERESTES OF AGROWFLOW PTY LTD.

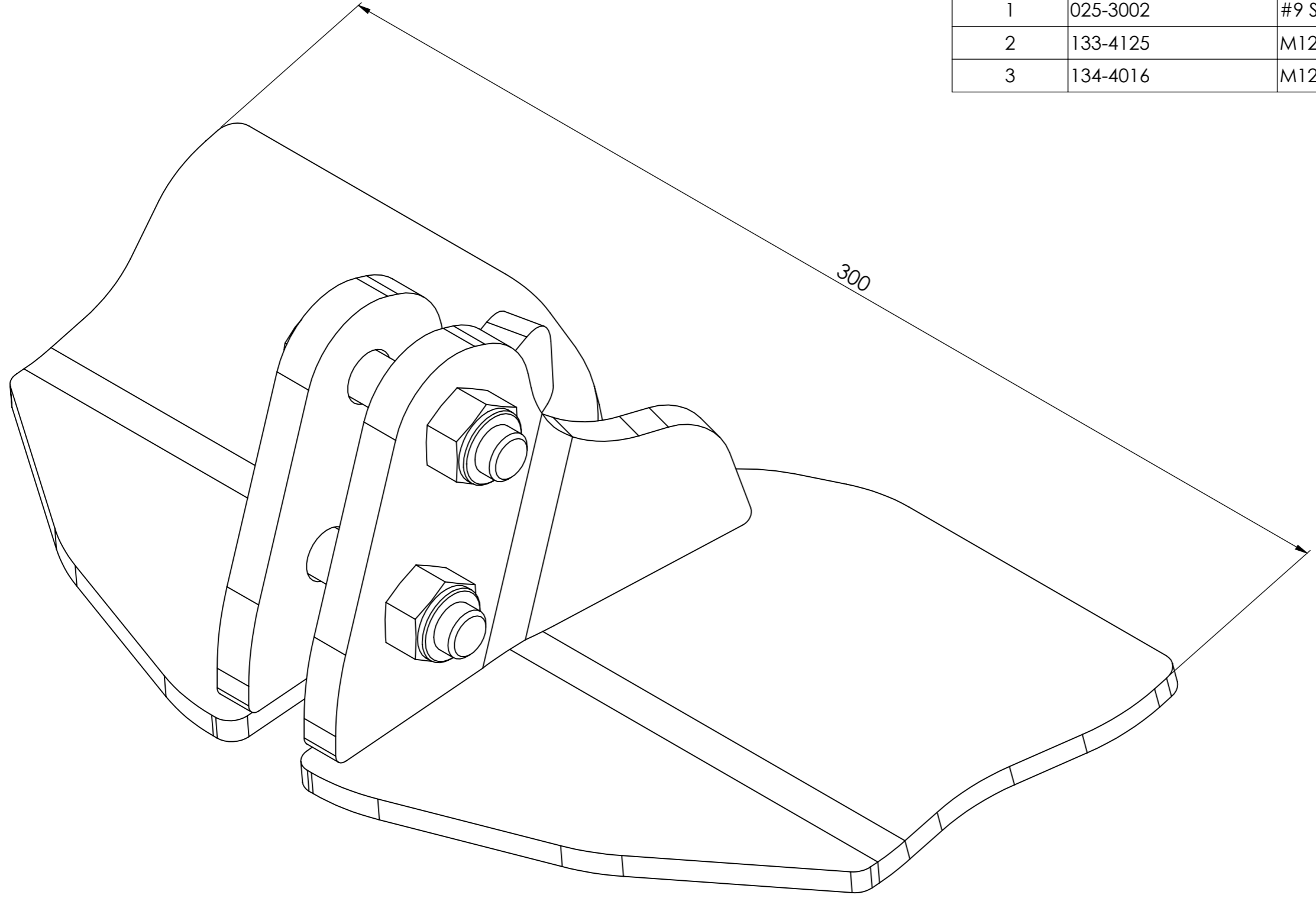
TITLE:
**#9 SHANK SWEEP
 ASSEMBLY: 200 WIDE**

PART NUMBER
025-2001

SHEET:
 SHEET 1 OF 1

16-Mar-17

ITEM NO.	PART NUMBER	DESCRIPTION	QTY.
1	025-3002	#9 SHANK SWEEP: 300 WIDE	1
2	133-4125	M12 x 55 HEX BOLT ZINC	2
3	134-4016	M12 HEX NYLOCK NUT ZINC PLATED	2



SWEEPS ARE DESIGNED FOR THE #9 SHANK ASSEMBLY AND CAN FIT TO ANY SHANK WITH 22MM 1/2" HOLES. SWEEPS INCREASE THE SHANKS EFFECT ON THE GROUND, WIDENING THE VOLUME OF LIFTED SOIL. SWEEPS ARE SUPPLIED WITH HARDWARE AND HARDFACED.

SWEEPS WILL AFFECT TRACTOR DRAFT REQUIREMENTS AND RECOIL ACTION. NOT ALL PLOUGHS CAN BE FITTED WITH SWEEPS ON THEIR FRONT ROW. CHECK SHANK RECOIL, CLEARANCE TO FRAME AND CLEARANCE TO ANY TRAILING EQUIPMENT BEFORE PURCHASE.

<p>AGROWFLOW</p> <p><small>COPYRIGHT RESERVED</small></p> <p><small>THIS DRAWING IS THE PROPERTY AGROWFLOW PTY LTD, AND IS SUBJECT TO RETURN UPON DEMAND. IT IS SUBMITTED FOR USE ONLY IN CONNECTION WITH PROPOSALS OR CONTRACTS OF THIS ORGANISATION UPON THE EXPRESS CONDITION THAT IT IS NOT TO BE USED DIRECTLY OR INDIRECTLY IN ANY WAY DETRIMENTAL TO THE INTERESTES OF AGROWFLOW PTY LTD.</small></p>	<p>TITLE:</p> <p>#9 SHANK SWEEP ASSEMBLY: 200 WIDE</p>	<p>PART NUMBER</p> <p>025-2002</p>
	<p>16-Mar-17</p>	