

PAINT - AGROWFLOW BLUE SPRAY
 CAN - 600-4015
 SHANK POINT TOOL - 002-4051

SHANK OPTIONS:
 150 X 150 RIGID SHANK
 150 X 150 RIGID SHANK WITH COULTER
 150 X 150 HYDRALIC SHANK
 150 X 150 HYDRALIC SHANK WITH COULTER
 HYDRALIC SHANKS REQUIRE THE FOLLOWING
 154-1510 10L ACCUMULATOR
 154-1511 MANIFOLD ASSEMBLY

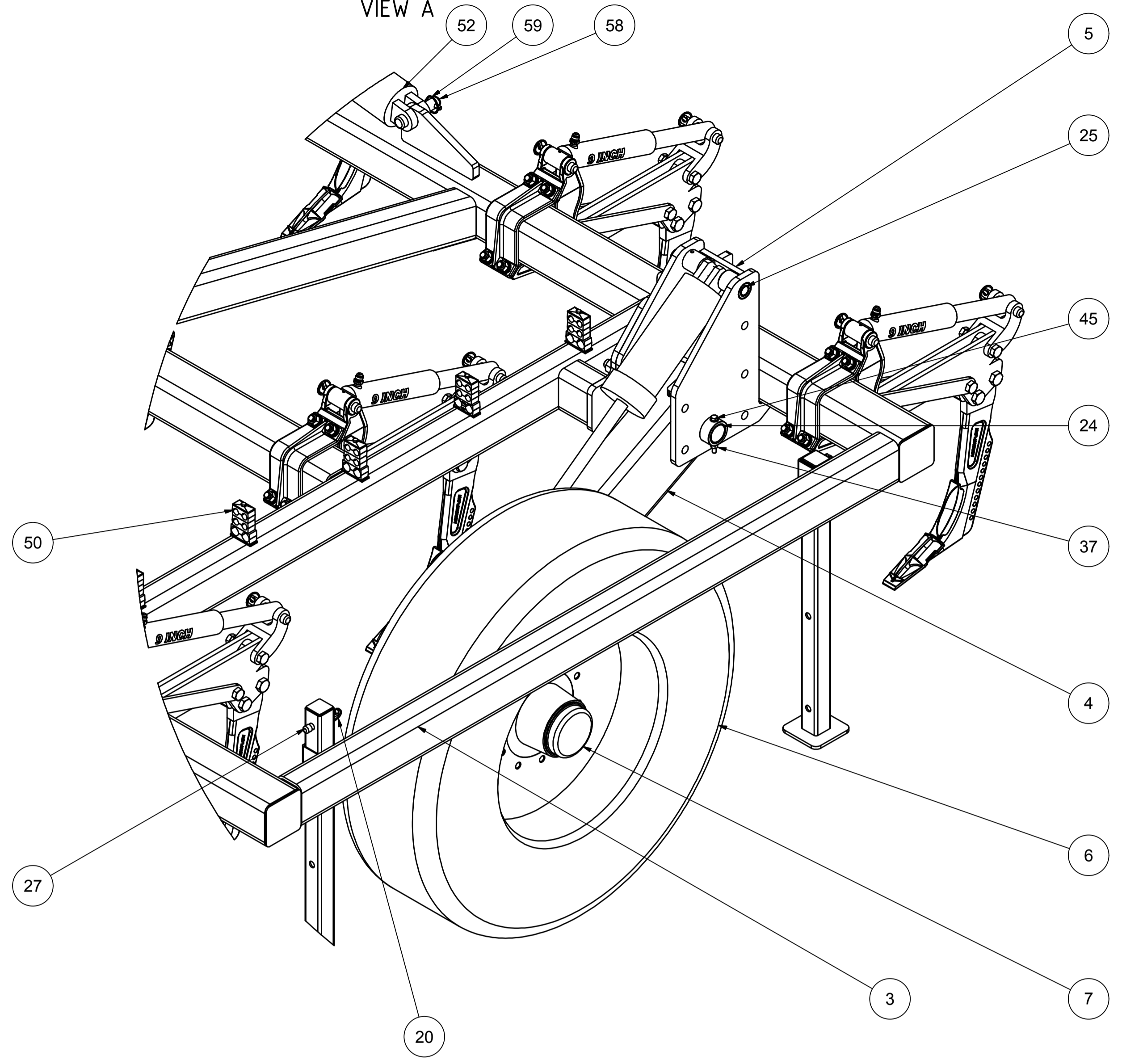
SEE SHANK BOOK FOR MORE DETAILS
 ON SHANK OPTIONS

STAND COMPONENTS
 578-2012 STAND
 140-0002 BARE-CO TOP PIN B74 CAT1
 140-0039 LYNCH PIN B6

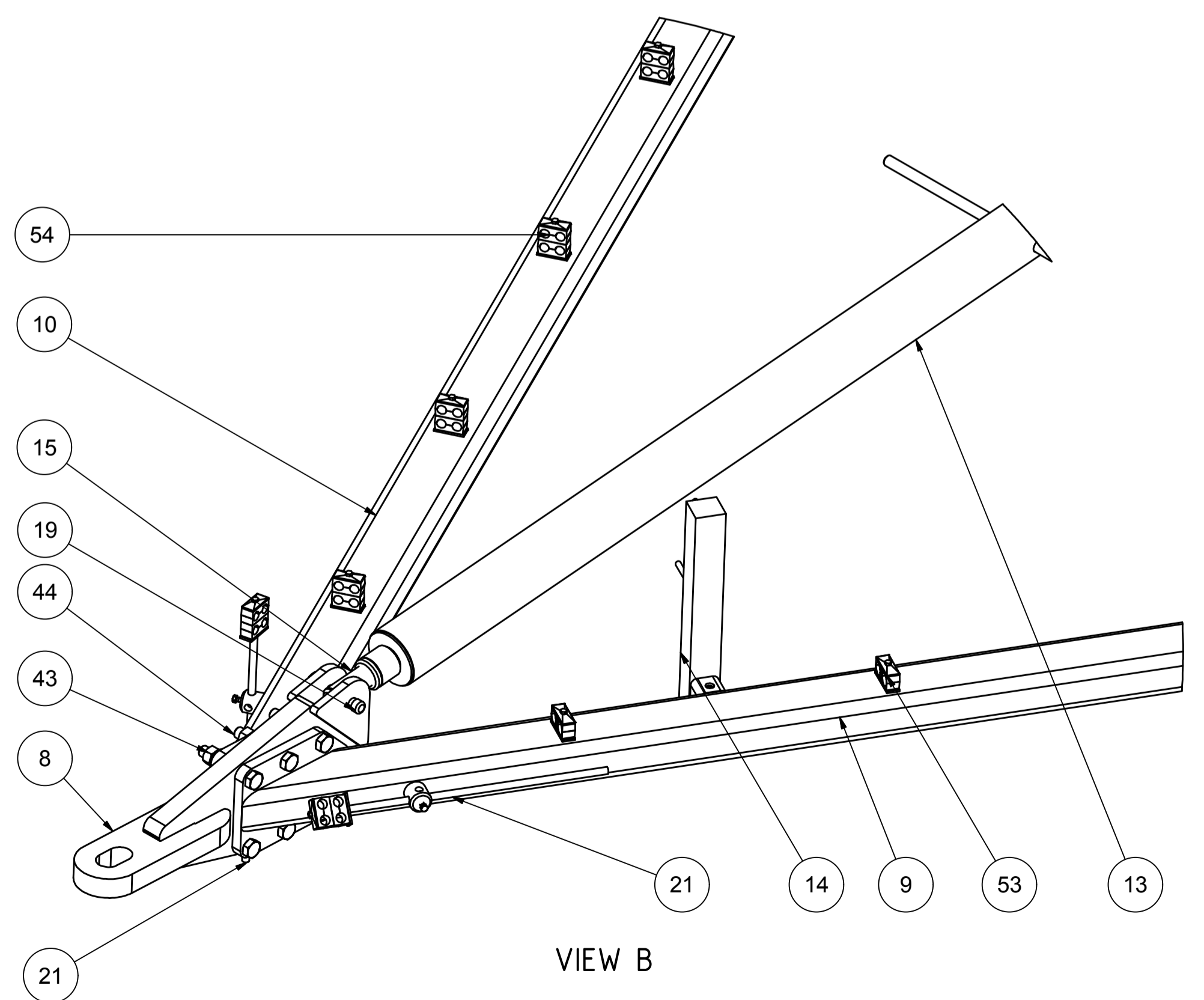
**29 HYDRALIC SHANK TRAILING
 SHOWN**

Parts List				
ITEM	PART NUMBER	TITLE	QTY	
1	596-3001	21 Shank Centre Frame - WA	1	
	597-3001	23 Shank Centre Frame - WA		
	598-3001	29 Shanks Centre Frame - WA		
2	596-3002	21 Shank RH Wing - WA	1	
	597-3002	23 Shank RH Wing - WA		
	598-3002	29 Shank RH Wing - WA		
3	596-3003	21 Shank LH Wing - WA	1	
	597-3003	23 Shank LH Wing - WA		
	598-3003	29 Shank LH Wing - WA		
4	595-3001	Wheel Arm - WA	4	
5	595-3003	Wheel Arm Carrier	4	
6	139-3120	TYRE 14.00-24 TITAN LOADER G2 12PLY & RIM 24-10.00 ASSY 650.830.010	4	
7	590-4036	Axle	4	
8	096-3034	Tow Tongue - WA	2	
9	597-3004	LH A-Frame - WA	2	
10	597-3005	RH A-Frame - WA	2	
11	154-1510	10LT ACCUMULATOR ASSEMBLY	2	
12	154-1511	HYD MANIFOLD ASSEMBLY	1	
13	597-3006	Levelling Tube - WA	1	
14	660-3015	AD 310 Jack Stand	1	
15	111-0002	RH LEVELING SCREW (040-4006)	1	
16	111-0003	LH LEVELING SCREW (040-4005)	1	
17	140-4100	B7417 DRAWBAR PIN	2	
18	140-4094	DRAW BAR PIN B410	5	
19	140-0004	PIN TOP CYLINDER B81	1	
20	140-0039	LYNCH PIN B6 3/8 x 1 3/4 Lynch Pin	9	
21	040-4003	HYDRALIC HOSE STAND ASSEMBLY	2	
22	133-0069	Bolt 3/8 X 3/4" UNC	2	
23	590-4054	Pivot Pin	4	
24	595-4025	Wheel Arm Pivot Pin	4	
25	595-4024	Wheel Arm Top Cylinder Pin	4	
26	578-2012	TRANSPORT STAND FOR AP 70	8	
27	140-0002	TOP PIN CAT 1 B74	8	
28	590-4006	Pivot Bush	8	
29	005-1009	HYDRALIC SHANK	REF	
30	595-3002	Wheel Cylinder Lug - WA	4	
31	140-0051	ROLL PIN DIA 8 X 60	4	
32	133-4113	M16 x 180 BOLT	4	
33	134-4002	M16 STEEL NUT	4	
34	135-3036	M16 SPRING WASHER	4	
35	135-3037	FLAT WASHER 16mm	4	
36	134-4099	NUT HEX CL.8 ZINC M30	8	
37	134-4017	M12 Hex Nut	8	
38	135-3012	M12 MILD STEEL WASHER	4	
39	135-3038	M12 SPRING WASHER	4	
40	133-4060	BOLT 1" x 4"UNC	24	
41	135-1060	DIA 24 FLAT WASHER	30	
42	135-1040	1" SPRING WASHER	30	
43	134-1070	Nut 1" UNC	30	
44	133-2079	BOLT 1" X 6" UNC	6	
45	133-4116	BOLT M12 X 120 ZINC	8	
46	153-3050	HYD TR PHASING CYLINDER 4.75 X 12 00X9853	1	
47	153-3051	HYD TR PHASING CYLINDER 5.00 X 12 00X9854	1	
48	153-3052	HYD TR PHASING CYLINDER 5.50 X 12 00X9856	1	
49	153-3053	HYD TR PHASING CYLINDER 6.00 X 12 00X9857	1	
50	154-5005	HYD CLAMP STACK 4x3/4" 2x5/8"	10	
51	154-5001	HYD CLAMP STACK 2x3/4"	6	
52	153-4300	AP 90 WING LIFT CYLINDER 5" X 36"	2	
53	154-5006	HYD CLAMP STACK 2x30mm	16	
54	154-5003	HYD CLAMP STACK 2x3/4"	6	
55	154-5007	HYD CLAMP STACK 1x3/4" + 1x30mm	12	
56	140-4037	B410 DRAW BAR PIN	2	
57	140-4033	B6412 DRAW BAR PIN	2	
58	140-0006	HEAVY DUTY PIN - B2597	2	
59	140-0041	Lynch Pin B2700	2	
60	598-3005	AP 90 CYLINDER RAM STOP CLAMP	4	

VIEW A



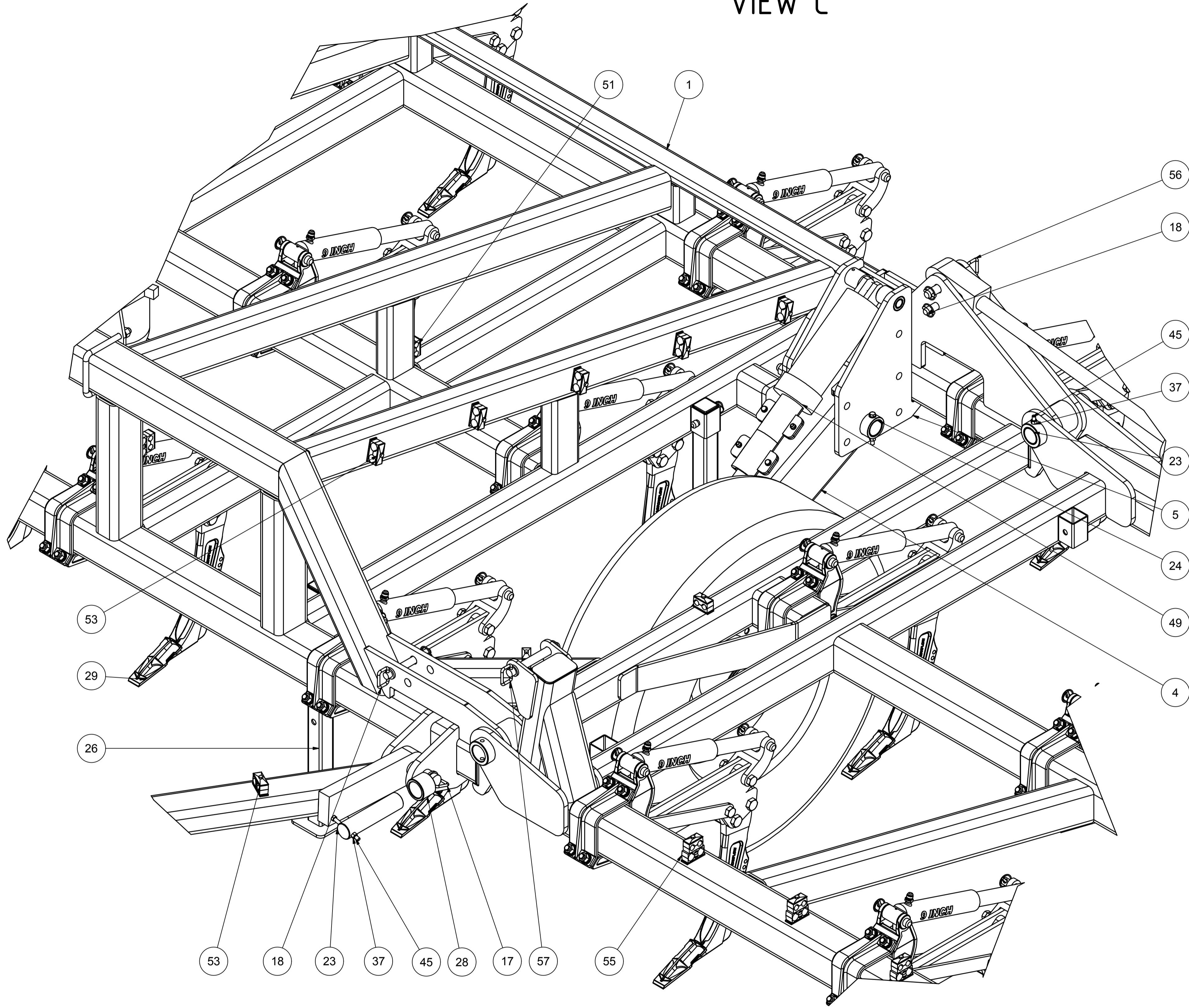
VIEW B



Parts List

ITEM	PART NUMBER	TITLE	QTY
1	596-3001	21 Shank Centre Frame - WA	1
	597-3001	23 Shank Centre Frame - WA	
	598-3001	29 Shanks Centre Frame - WA	
2	596-3002	21 Shank RH Wing - WA	1
	597-3002	23 Shank RH Wing - WA	
	598-3002	29 Shank RH Wing - WA	
3	596-3003	21 Shank LH Wing - WA	1
	597-3003	23 Shank LH Wing - WA	
	598-3003	29 Shank LH Wing - WA	
4	595-3001	Wheel Arm - WA	4
5	595-3003	Wheel Arm Carrier	4
6	139-3120	TYRE 14.00-24 TITAN LOADER G2 12PLY & RIM 24-10.00 ASSY 650.830.010	4
7	590-4036	Axle	4
8	096-3034	Tow Tongue - WA	2
9	597-3004	LH A-Frame - WA	2
10	597-3005	RH A-Frame - WA	2
11	154-1510	10LT ACCUMULATOR ASSEMBLY	2
12	154-1511	HYD MANIFOLD ASSEMBLY	1
13	597-3006	Levelling Tube - WA	1
14	660-3015	AD 310 Jack Stand	1
15	111-0002	RH LEVELING SCREW (040-4006)	1
16	111-0003	LH LEVELING SCREW (040-4005)	1
17	140-4100	B7417 DRAWBAR PIN	2
18	140-4094	DRAW BAR PIN B410	5
19	140-0004	PIN TOP CYLINDER B81	1
20	140-0039	LYNCH PIN B6 3/8 x 1 3/4 Lynch Pin	9
21	040-4003	HYDRAULIC HOSE STAND ASSEMBLY	2
22	133-0069	Bolt 3/8 X 3/4" UNC	2
23	590-4054	Pivot Pin	4
24	595-4025	Wheel Arm Pivot Pin	4
25	595-4024	Wheel Arm Top Cylinder Pin	4
26	578-2012	TRANSPORT STAND FOR AP 70	8
27	140-0002	TOP PIN CAT 1 B74	8
28	590-4006	Pivot Bush	8
29	005-1009	HYDRAULIC SHANK	REF
30	595-3002	Wheel Cylinder Lug - WA	4
31	140-0051	ROLL PIN DIA 8 X 60	4
32	133-4113	M16 x 180 BOLT	4
33	134-4002	M16 STEEL NUT	4
34	135-3036	M16 SPRING WASHER	4
35	135-3037	FLAT WASHER 16mm	4
36	134-4099	NUT HEX CL.8 ZINC M30	8
37	134-4017	M12 Hex Nut	8
38	135-3012	M12 MILD STEEL WASHER	4
39	135-3038	M12 SPRING WASHER	4
40	133-4060	BOLT 1" x 4"UNC	24
41	135-1060	DIA 24 FLAT WASHER	30
42	135-1040	1" SPRING WASHER	30
43	134-1070	Nut 1" UNC	30
44	133-2079	BOLT 1" X 6" UNC	6
45	133-4116	BOLT M12 X 120 ZINC	8
46	153-3050	HYD TR PHASING CYLINDER 4.75 X 12 00X9853	1
47	153-3051	HYD TR PHASING CYLINDER 5.00 X 12 00X9854	1
48	153-3052	HYD TR PHASING CYLINDER 5.50 X 12 00X9856	1
49	153-3053	HYD TR PHASING CYLINDER 6.00 X 12 00X9857	1
50	154-5005	HYD CLAMP STACK 4x3/4" 2x5/8"	10
51	154-5001	HYD CLAMP STACK 2x3/4"	6
52	153-4300	AP 90 WING LIFT CYLINDER 5" X 36"	2
53	154-5006	HYD CLAMP STACK 2x30mm	16
54	154-5003	HYD CLAMP STACK 2x3/4"	6
55	154-5007	HYD CLAMP STACK 1x3/4" + 1x30mm	12
56	140-4037	B410 DRAW BAR PIN	2
57	140-4033	B6412 DRAW BAR PIN	2
58	140-0006	HEAVY DUTY PIN - B2597	2
59	140-0041	Lynch Pin B2700	2
60	598-3005	AP 90 CYLINDER RAM STOP CLAMP	4

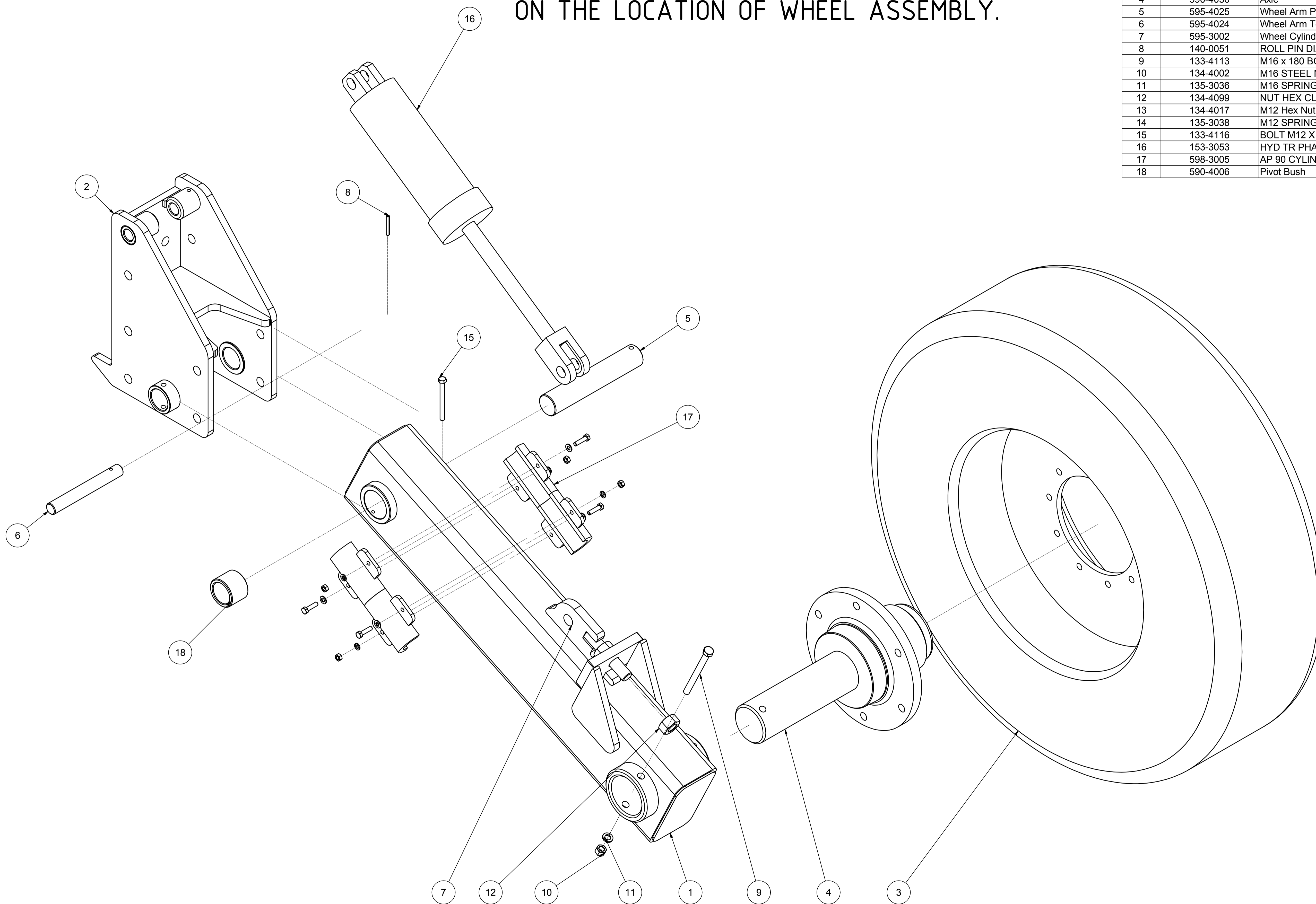
VIEW C



Parts List			
ITEM	PART NUMBER	TITLE	QTY
1	596-3001	21 Shank Centre Frame - WA	1
	597-3001	23 Shank Centre Frame - WA	
	598-3001	29 Shanks Centre Frame - WA	
2	596-3002	21 Shank RH Wing - WA	1
	597-3002	23 Shank RH Wing - WA	
	598-3002	29 Shank RH Wing - WA	
3	596-3003	21 Shank LH Wing - WA	1
	597-3003	23 Shank LH Wing - WA	
	598-3003	29 Shank LH Wing - WA	
4	595-3001	Wheel Arm - WA	4
5	595-3003	Wheel Arm Carrier	4
6	139-3120	TYRE 14.00-24 TITAN LOADER G2 12PLY & RIM 24-10.00 ASSY 650.830.010	4
7	590-4036	Axle	4
8	096-3034	Tow Tongue - WA	2
9	597-3004	LH A-Frame - WA	2
10	597-3005	RH A-Frame - WA	2
11	154-1510	10LT ACCUMULATOR ASSEMBLY	2
12	154-1511	HYD MANIFOLD ASSEMBLY	1
13	597-3006	Levelling Tube - WA	1
14	660-3015	AD 310 Jack Stand	1
15	111-0002	RH LEVELING SCREW (040-4006)	1
16	111-0003	LH LEVELING SCREW (040-4005)	1
17	140-4100	B7417 DRAWBAR PIN	2
18	140-4094	DRAW BAR PIN B410	5
19	140-0004	PIN TOP CYLINDER B81	1
20	140-0039	LYNCH PIN B6 3/8 x 1 3/4 Lynch Pin	9
21	040-4003	HYDRAULIC HOSE STAND ASSEMBLY	2
22	133-0069	Bolt 3/8 X 3/4" UNC	2
23	590-4054	Pivot Pin	4
24	595-4025	Wheel Arm Pivot Pin	4
25	595-4024	Wheel Arm Top Cylinder Pin	4
26	578-2012	TRANSPORT STAND FOR AP 70	8
27	140-0002	TOP PIN CAT 1 B74	8
28	590-4006	Pivot Bush	8
29	005-1009	HYDRAULIC SHANK	REF
30	595-3002	Wheel Cylinder Lug - WA	4
31	140-0051	ROLL PIN DIA 8 X 60	4
32	133-4113	M16 x 180 BOLT	4
33	134-4002	M16 STEEL NUT	4
34	135-3036	M16 SPRING WASHER	4
35	135-3037	FLAT WASHER 16mm	4
36	134-4099	NUT HEX CL.8 ZINC M30	8
37	134-4017	M12 Hex Nut	8
38	135-3012	M12 MILD STEEL WASHER	4
39	135-3038	M12 SPRING WASHER	4
40	133-4060	BOLT 1" x 4"UNC	24
41	135-1060	DIA 24 FLAT WASHER	30
42	135-1040	1" SPRING WASHER	30
43	134-1070	Nut 1" UNC	30
44	133-2079	BOLT 1" X 6" UNC	6
45	133-4116	BOLT M12 X 120 ZINC	8
46	153-3050	HYD TR PHASING CYLINDER 4.75 X 12 00X9853	1
47	153-3051	HYD TR PHASING CYLINDER 5.00 X 12 00X9854	1
48	153-3052	HYD TR PHASING CYLINDER 5.50 X 12 00X9856	1
49	153-3053	HYD TR PHASING CYLINDER 6.00 X 12 00X9857	1
50	154-5005	HYD CLAMP STACK 4x3/4" 2x5/8"	10
51	154-5001	HYD CLAMP STACK 2x3/4"	6
52	153-4300	AP 90 WING LIFT CYLINDER 5" X 36"	2
53	154-5006	HYD CLAMP STACK 2x30mm	16
54	154-5003	HYD CLAMP STACK 2x3/4"	6
55	154-5007	HYD CLAMP STACK 1x3/4" + 1x30mm	12
56	140-4037	B410 DRAW BAR PIN	2
57	140-4033	B6412 DRAW BAR PIN	2
58	140-0006	HEAVY DUTY PIN - B2597	2
59	140-0041	Lynch Pin B2700	2
60	598-3005	AP 90 CYLINDER RAM STOP CLAMP	4

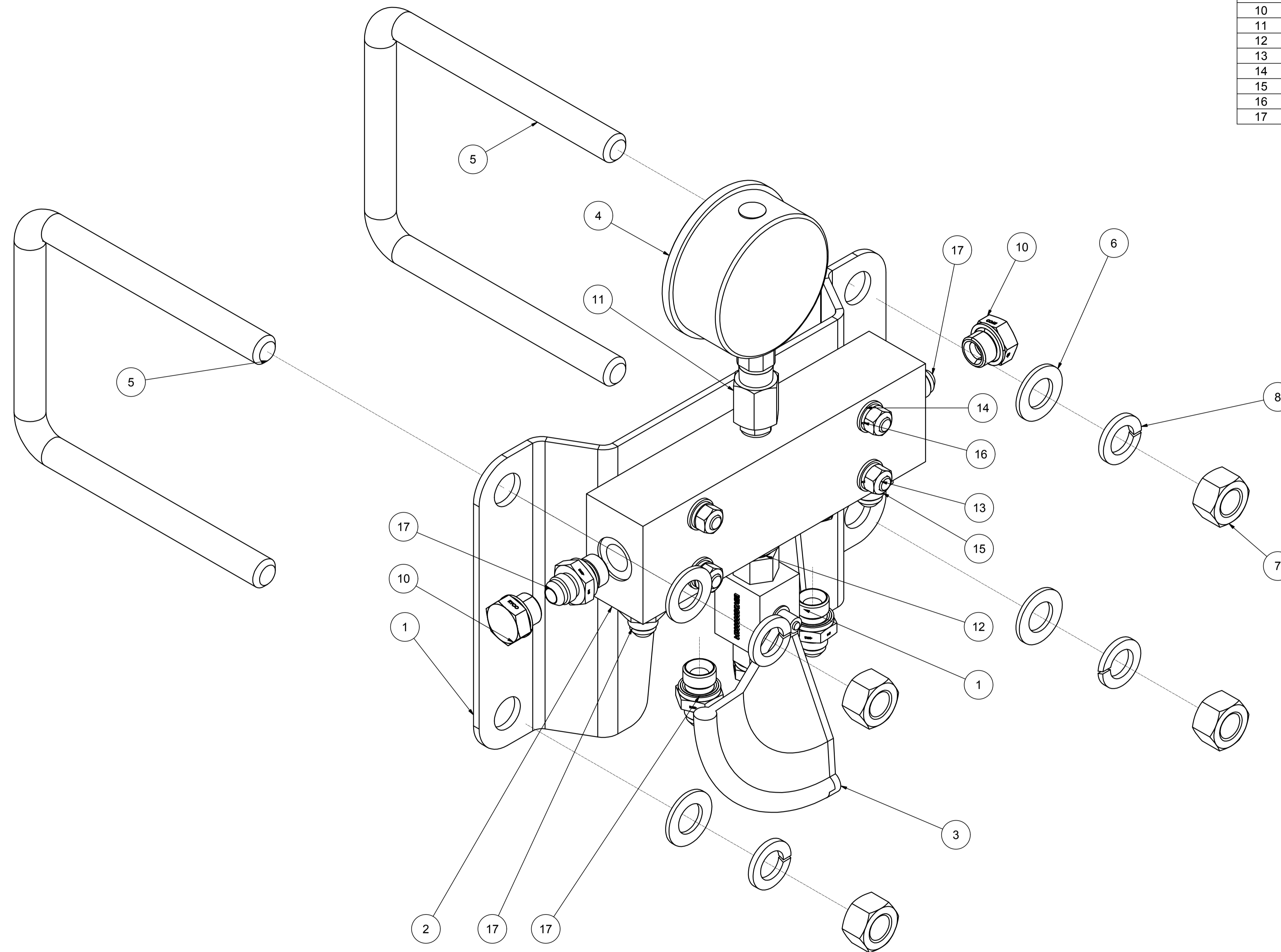
NOTE:
 ITEM 16 WILL CHANGE SIZE DEPENDING
 ON THE LOCATION OF WHEEL ASSEMBLY.

Parts List			
ITEM	PART NUMBER	TITLE	QTY
1	595-3001	Wheel Arm - WA	1
2	595-3003	Wheel Arm Carrier	1
3	139-3120	TYRE 14.00-24 TITAN LOADER G2 12PLY & RIM 24-10.00 ASSY 650.830.010	1
4	590-4036	Axle	1
5	595-4025	Wheel Arm Pivot Pin	1
6	595-4024	Wheel Arm Top Cylinder Pin	1
7	595-3002	Wheel Cylinder Lug - WA	1
8	140-0051	ROLL PIN DIA 8 X 60	1
9	133-4113	M16 x 180 BOLT	1
10	134-4002	M16 STEEL NUT	1
11	135-3036	M16 SPRING WASHER	1
12	134-4099	NUT HEX CL.8 ZINC M30	2
13	134-4017	M12 Hex Nut	1
14	135-3038	M12 SPRING WASHER	1
15	133-4116	BOLT M12 X 120 ZINC	1
16	153-3053	HYD TR PHASING CYLINDER 6.00 X 12 00X9857	1
17	598-3005	AP 90 CYLINDER RAM STOP CLAMP	2
18	590-4006	Pivot Bush	2



WHEEL ASSEMBLY

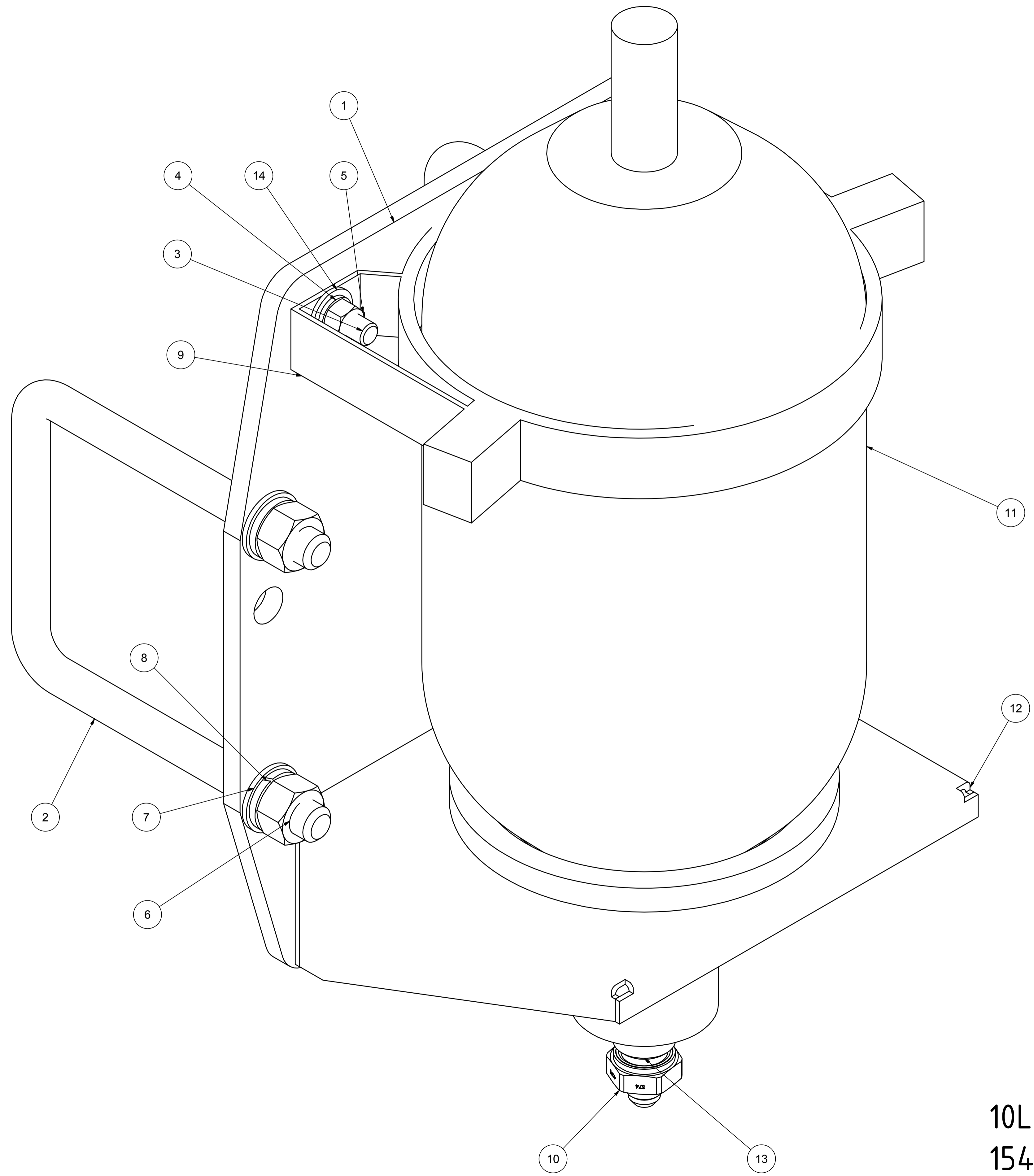
Parts List			
ITEM	PART NUMBER	TITLE	QTY
1	580-4041	HYD MANIFOLD MOUNT	1
2	580-4042	HYD MANIFOLD	1
3	154-4071	VALVE BKHG 1/2-1125	1
4	154-0022	PRESSURE GUAGE SPG 100-250-01-S-B08	1
5	130-4008	U-BOLT 150 X 150 X M20	2
6	135-1010	FLAT WASHER 3/4"	4
7	134-1045	NUT M20	4
8	135-1015	M20 SPRING WASHER	4
10	154-4244	PLUG S73-08	4
11	154-4308	ADAPTOR FT299/24B	1
12	154-4231	ADAPTOR S46-0808	1
13	133-4051	BOLT M10 X 75	4
14	134-0057	FLAT WASHER M10	4
15	134-0055	NUT M10	4
16	134-0056	SPRING WASHER M10	4
17	154-4072-1	HYD FITTING, ADAPTOR S74-0812	7



HYD MANIFOLD ASSEMBLY

154-1511

Parts List			
ITEM	PART NUMBER	TITLE	QTY
1	066-4003	10 Litre Accumulator Plate	1
2	130-4008	U-BOLT 150 X 150 X M20	2
3	133-1055	Bolt - 1/2 UNC x 1 3/4"	4
4	135-0050	1/2" SPRING WASHER	4
5	134-0070	1/2" NUT	4
6	134-1045	NUT M20	4
7	135-1010	FLAT WASHER 3/4"	4
8	135-1015	M20 SPRING WASHER	4
9	154-4088	CLAMP AMP228	1
10	154-4074	HYD ADAPTOR S74-1212	1
11	154-4090	10L ACCUMULATOR STBA-10-10-NBR-P5-BB1	1
12	154-4087	SUPPORT BRACKET CUSHION BBR170	1
13	154-4086	ADAPTOR BIS 1263 3426010708	1
14	134-0060	1/2" FLAT WASHER	4



10LT ACCUMULATOR ASSEMBLY

154-1510