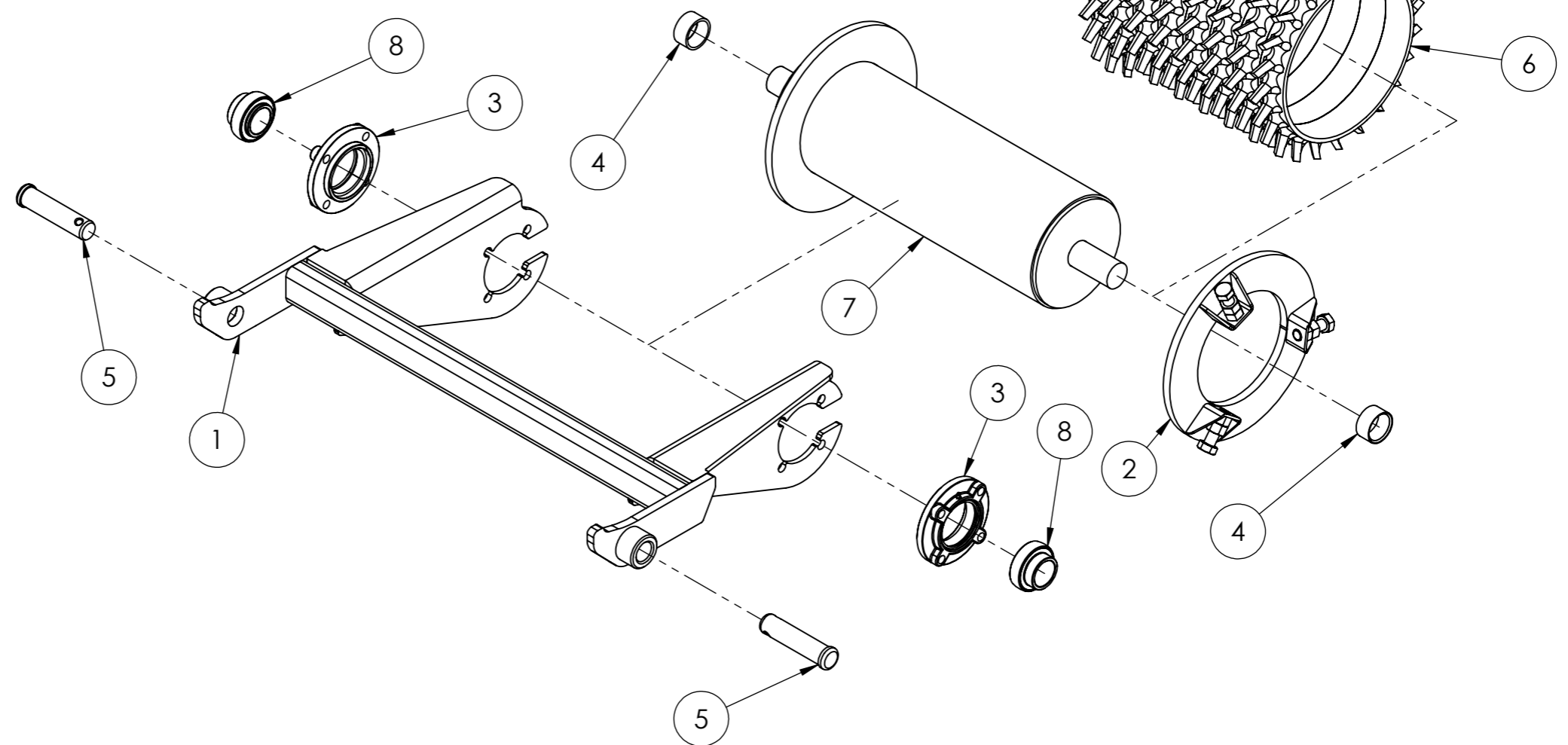
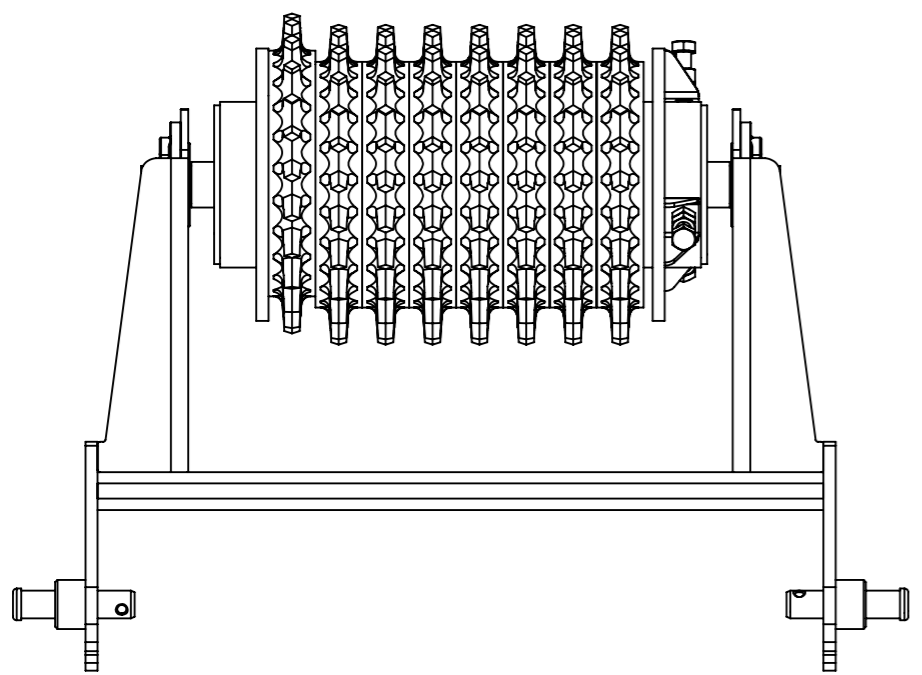


ITEM NO.	PART NUMBER	DESCRIPTION	QTY.
1	454-3005	MINI ROLLER FRAME CAT3	1
2	093-3014	FLEXIROLLER RETAINING RING	1
3	138-0052	BEARING HOUSING	2
4	454-4030	ROTOR SPACER	2
5	140-0005	PIN CLEVIS 1 7/16" 127mm	2
6	093-3001	FLEXIROLLER RING	8
7	454-3004	MINI ROLLER ROTOR CAT3	1
8	115-7004	BEARING	2

HARDWARE AND LYNCH PINS NOT DRAWN



AGROWFLOW
 COPYRIGHT RESERVED
 THIS DRAWING IS THE PROPERTY AGROWFLOW PTY LTD, AND IS SUBJECT TO RETURN UPON DEMAND. IT IS SUBMITTED FOR USE ONLY IN CONNECTION WITH PROPOSALS OR CONTRACTS OF THIS ORGANISATION UPON THE EXPRESS CONDITION THAT IT IS NOT TO BE USED DIRECTLY OR INDIRECTLY IN ANY WAY DETRIMENTAL TO THE INTERESTES OF AGROWFLOW PTY LTD.

TITLE: **MINI FLEXIROLLER CAT3**

PART NUMBER **454-1010**
 SHEET: SHEET 1 OF 1
 16/05/2016

A
B
C
D

A
B
C
D

1 2 3 4 5 6