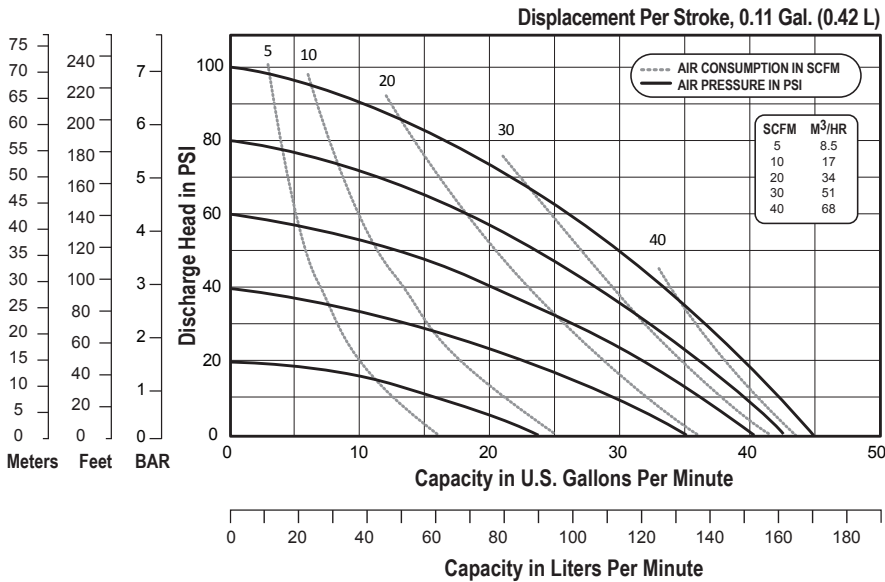


E1 DATA SHEET

SPECIFICATIONS & PERFORMANCE

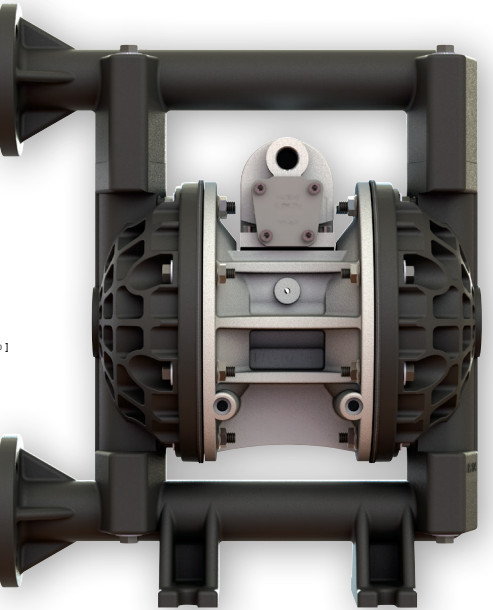
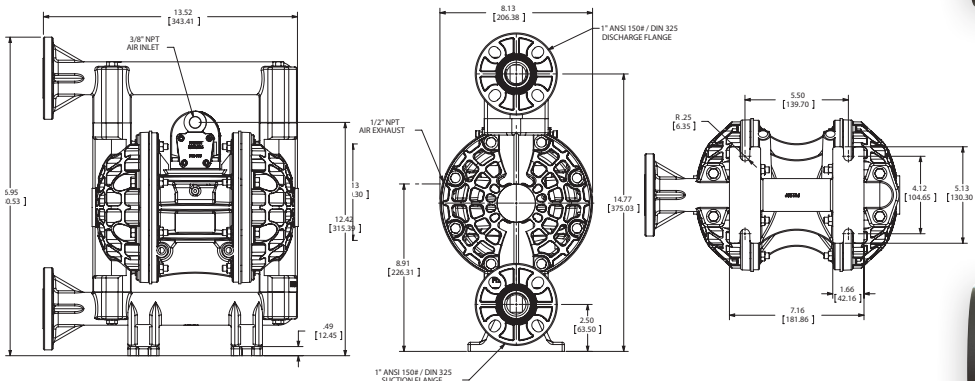
1" Bolted Plastic with Plastic Center Section

PERFORMANCE



NOTE: Performance based on the following: elastomeric fitted pump, flooded suction, water at ambient conditions. The use of other materials and varying hydraulic conditions may result in deviations in excess of 5%.

DIMENSIONS



SPECIFICATIONS

Flow Rate

Adjustable to 0-45 gpm (170.3 LPM)

Port Size

Suction . . . 1" 150# ANSI/DIN Flange

Discharge 1" 150# ANSI/DIN Flange

Air Inlet 3/8" NPT

Air Exhaust 1/2" NPT

Suction Lift

Dry 15' (4.5 m)

Wet 31' (9.4 m)

Max Solid Size (Diameter)

. 1/8" (3.2 mm)

Max Noise Level 88 dB(A)

Shipping Weights

Conductive Polypropylene 21 lbs (9.5 kg)



VERSAMATIC®

Warren Rupp, Inc. | A Unit of IDEX Corporation
 800 North Main Street | Mansfield, OH 44902 USA
 Phone: 419.526.7296 | Fax: 419.526.7289

VERSAMATIC.COM

e1nmdlCdSATEX-rev0519

©Copyright 2019 Warren Rupp, Inc. All Rights Reserved.