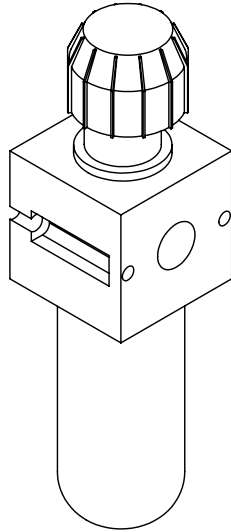


# SERVICE & OPERATING MANUAL

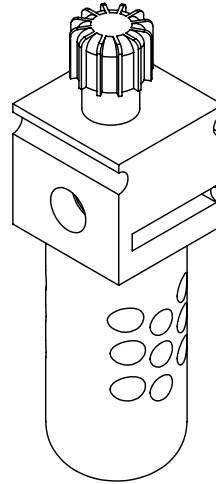
ORIGINAL INSTRUCTIONS

# VM

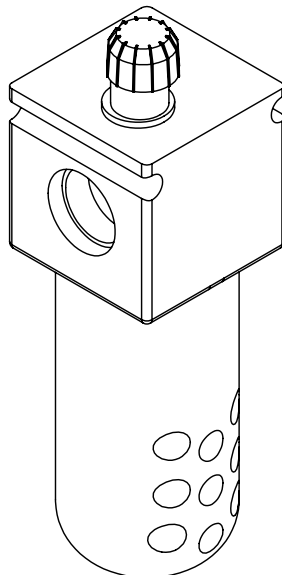
## Air Lubricators



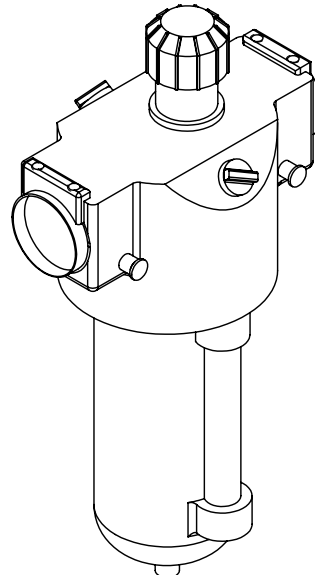
**1/4"** 020.V113.000



**1/2"** 020.V114.000



**3/4"** 020.V115.000



**1"** 020.V116.000



**VERSAMATIC®**  
**ACCESSORIES**

# Installation

1. The Lubricator should be installed with reasonable accessibility for service whenever possible. Keep pipe or tubing lengths to a minimum with inside clean and free of dirt and chips. Pipe joint compound should be used sparingly and applied only to the male pipe, never to the female port. Do not use PTFE tape to seal joints. Pieces of the tape have a tendency to break off inside the unit, possibly causing malfunction. Also, new pipe or hose should be installed between the unit and equipment being protected.
2. The upstream pipe work must be clear of accumulated dirt and liquids.
3. Select a Lubricator location as close as possible to the equipment being protected and after of any Filter/Regulator.
4. Install Lubricator so that the air flows in the direction of the arrow on top of the body.
5. Install Lubricator vertically with the bowl facing downward.

## Operation Limits

### With Polyurethane Bowl (1/4", 1/2", 3/4" Units)

	kPa	PSIG	bar
Operating Pressure Maximum	1034	150	10
Operating Temperature Range	4.4°C to 48.9°C(40°F to 120°F)		

### With Zinc Bowl (1" Units)

	kPa	PSIG	bar
Operating Pressure Maximum	1723	250	17
Operating Temperature Range	4.4°C to 65.6°C(40°F to 150°F)		

**Note:** Our AODD pump's pilot valve and main air valve systems are designed to operate WITHOUT lubrication. This is the preferred mode of operation. The pump air system will operate with properly lubricated compressed air supplies if needed. If a Lubricator is used, oil accumulation can, over time, collect debris from the compressed air. This could possibly prevent the pump from operating properly.

## Introduction

Follow these instructions when installing, operating, or servicing the product.

## Application Limits

These products are intended for use in general purpose compressed air systems only.

## Lubricant

For average conditions, the use of high quality SAE #10 (S.U.V. 150-200 SEC @ 100°F) oil is recommended. Other lubricants, as specified by the maker of the equipment to be lubricated, may be used if not heavier than SAE #40 (S.U.V. 800 SEC @ 100°F). **Note:** The oil and its container must be clean as dirt will clog the Lubricator necessitating shut-down and cleaning.

## Filling

Lubricators can be filled under pressure, and without shutting down equipment. Slowly remove fill plug and fill to within 1/2" of top of bowl using correct oil. Lubricators may also be filled by depressurizing the system and removing the bowl. After filling, replace the bowl, making sure it has been tightened before repressurizing the system.

## Adjustment

The "Dial Set" knob is factory set so that when turned fully clockwise, no oil is delivered to the venturi for atomization and equipment is not being lubricated. To adjust oil drip rate, turn on the air, start flow, and set knob to obtain the desired drip rate which is visible through the sight dome. As a start, one to two drops per minute is suggested, correct lubrication being a matter of experience and demand. Clockwise rotation of knob decreases oil feed rate. To check lubrication, hold thumbnail or a mirror near the equipment exhaust. A heavy film indicates over-lubrication and the drip rate should be reduced by turning knob to a lower setting.

## Maintenance

If both air and oil are kept clean and the oil level never allowed below end of tube in the bowl, the Lubricator should provide long periods of unattended service. Cessation of oil dripping through the sight dome, irrespective of knob adjustment, is an indication that cleaning is necessary.

## Cleaning

To clean, it is not necessary to remove Lubricator from the line. Depressurize and disassemble using the drawing on reverse as a guide. In most instances cleaning is needed only in the oil metering area. Pull off adjusting knob, unscrew sight dome assembly, remove inner drip spout and clean with household soap. **MUST BE CLEANED WITH HOUSEHOLD SOAP ONLY.**

## ⚠ WARNING

**FAILURE OR IMPROPER SELECTION OR IMPROPER USE OF THE PRODUCTS AND/OR SYSTEMS DESCRIBED HEREIN OR RELATED ITEMS CAN CAUSE DEATH, PERSONAL INJURY AND PROPERTY DAMAGE.**

This document and other information from Versa-Matic, its subsidiaries and authorized distributors provide product and/or system options for further investigation by users having technical expertise. It is important that you analyze all aspects of your application, including consequences of any failure and review the information concerning the product or systems in the current product catalog. Due to the variety of operating conditions and applications for these products or systems, the user, through its own analysis and testing, is solely responsible for making the final selection of the products and systems and assuring that all performance, safety and warning requirements of the application are met.

The products described herein, including without limitation, product features, specifications, designs, availability and pricing, are subject to change by Versa-Matic and its subsidiaries at any time without notice.

## ⚠ WARNING

**To avoid unpredictable system behavior that can cause personal injury and property damage:**

- Disconnect electrical supply (when necessary) before installation, servicing or conversion.
- Disconnect air supply and depressurize all air lines connected to this product before installation, servicing or conversion.
- Operate within the manufacturer's specified pressure, temperature, and other conditions listed in these instructions.
- Medium must be moisture-free if ambient temperature is below freezing.
- Service according to procedures listed in these instructions.
- Installation, service, and conversion of these products must be performed by knowledgeable personnel who understand how pneumatic products are to be applied.
- After installation, servicing, or conversion, air and electrical supplies (when necessary) should be connected and the product tested for proper function and leakage. If audible leakage is present, or the product does not operate properly, do not put into use.
- Warnings and specifications on the product should not be covered by paint, etc. If masking is not possible, contact your local representative for replacement labels.

## ⚠ CAUTION

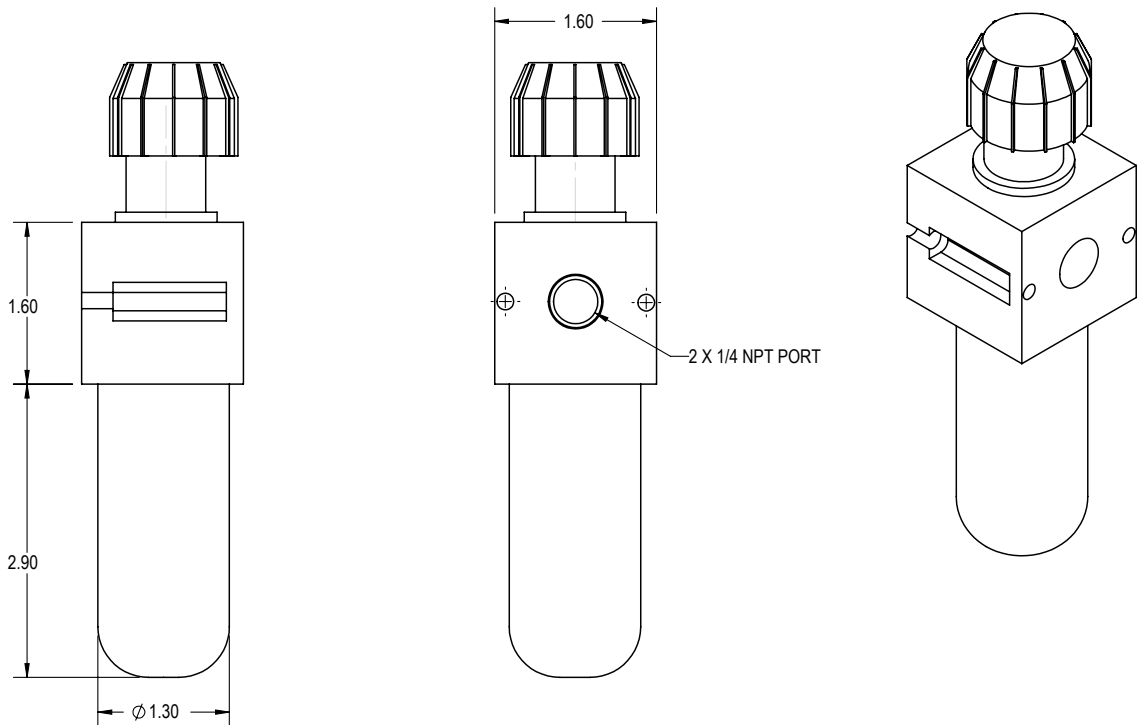
Polyurethane bowls, sight glass and sight domes on these units may be attacked by certain chemicals. Never use solvents like carbon tetrachloride, trichlorethylene, acetone, ketones, certain alcohols, or paint thinner to clean any parts. These elements can cause crazing or failure of the plastic parts. The polyurethane resin parts are compatible with most hydrocarbon based synthetic lubricants but, before using, check with the manufacturer of the lubricant or oil for compatibility with polyurethane resin.

**TO CLEAN POLYURETHANE BOWLS USE MILD SOAP AND WATER ONLY!**

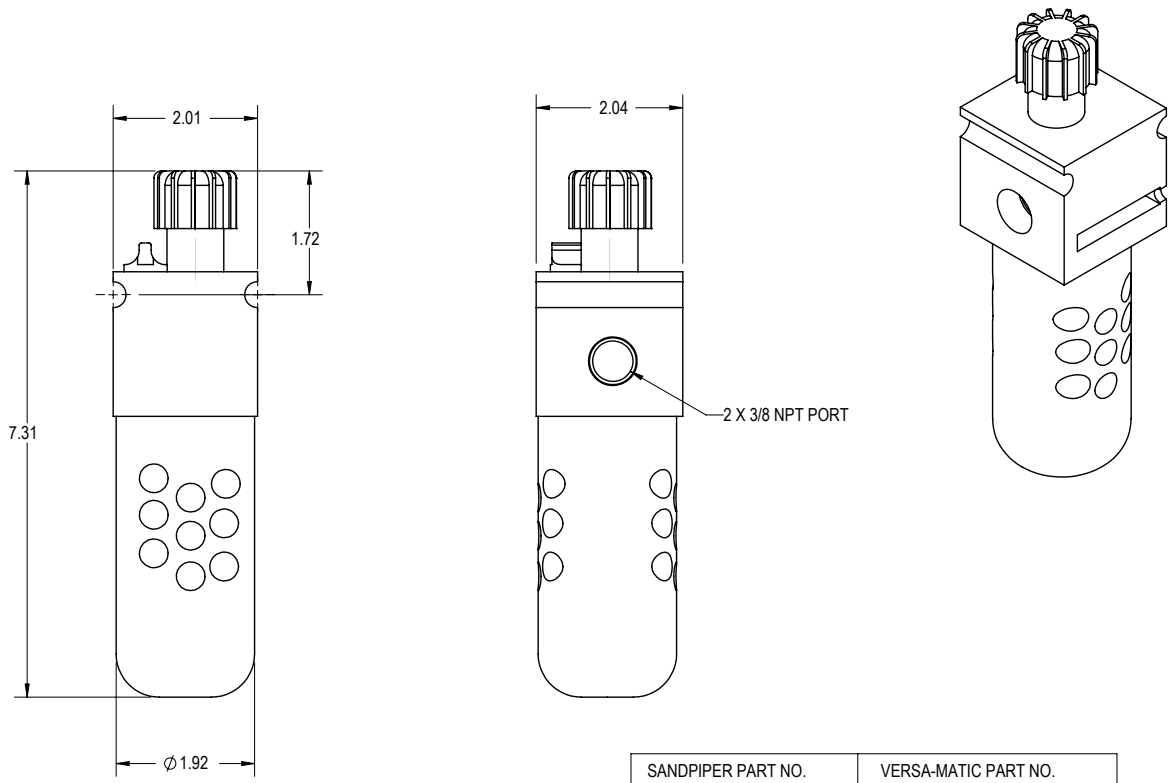
## Contact Information

**VERSAMATIC** • A Unit of IDEX Corporation  
800 North Main Street, Mansfield, OH 44902 USA  
Phone: (419) 526-7296 • Fax: (419) 526-7289  
[www.versamatic.com](http://www.versamatic.com)

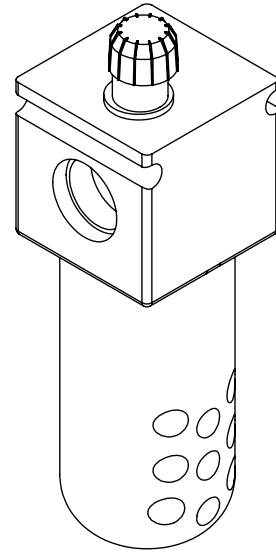
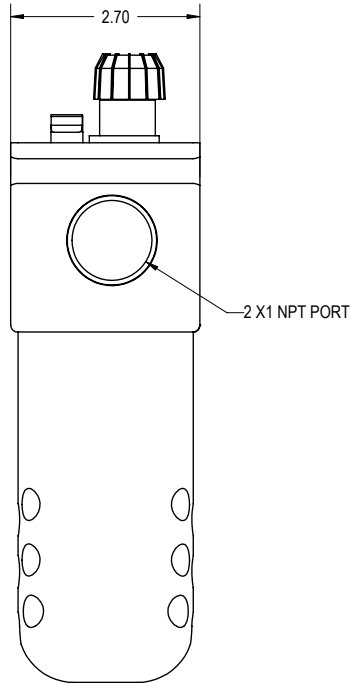
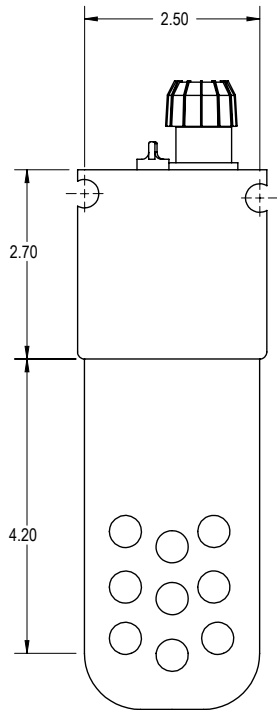
For new order placement, availability, and expediting, contact our Customer Service Team. For application assistance and technical questions, contact our Application Engineering Team. For repairs, returns, warranty questions, and troubleshooting, contact our After Sales Support Team.



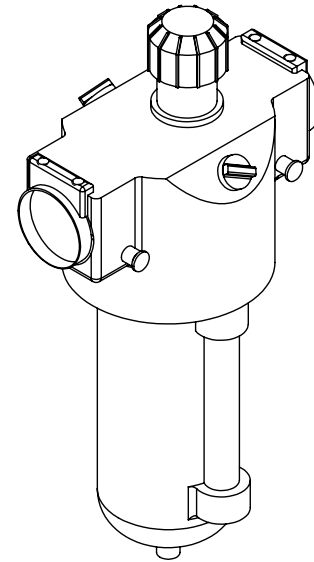
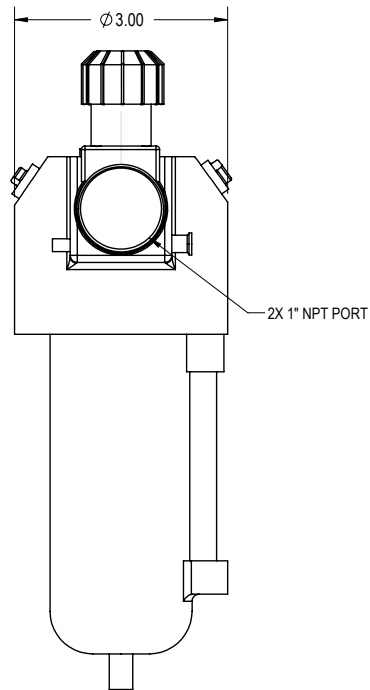
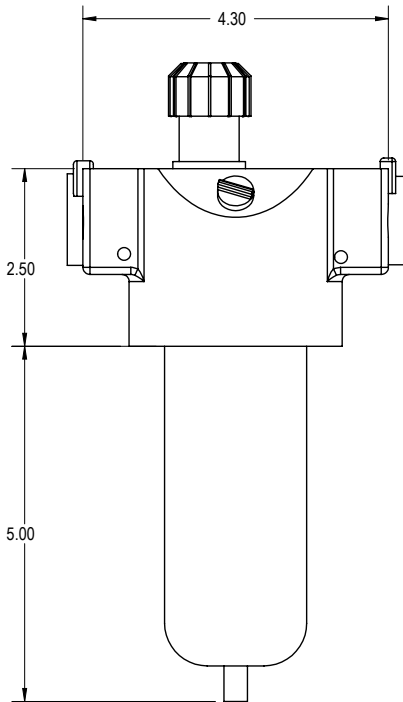
SANDPIPER PART NO.	VERSA-MATIC PART NO.
020.113.000	020.V113.000



SANDPIPER PART NO.	VERSA-MATIC PART NO.
020.114.000	020.V114.000



SANDPIPER PART NO.	VERSA-MATIC PART NO.
020.115.000	020.V115.000



SANDPIPER PART NO.	VERSA-MATIC PART NO.
020.116.000	020.V116.000