

SERVICE & OPERATING MANUAL

ORIGINAL INSTRUCTIONS

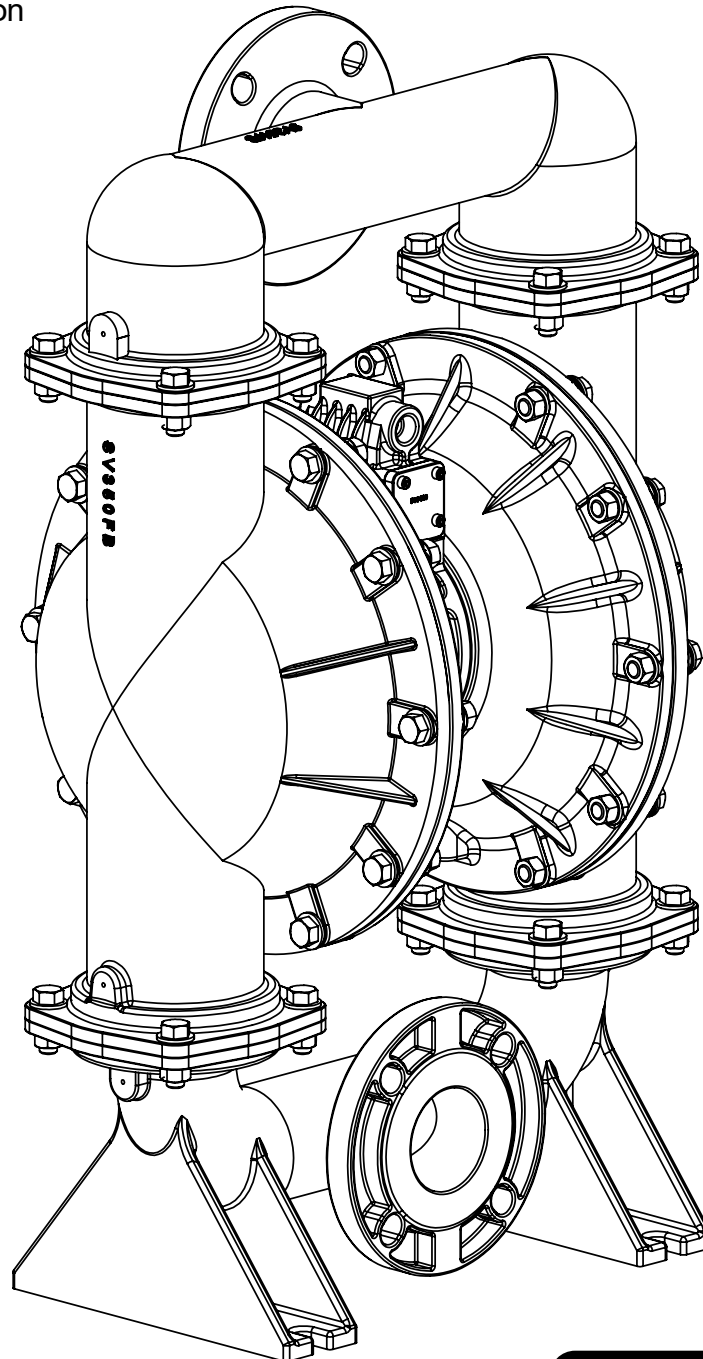


3" Elima-Matic Bolted Metal

with Metal Center Section

E3 Metal Pumps

- Stainless Steel
- Alloy C



1: PUMP SPECS

2: INSTAL & OP

3: EXP VIEW

4: WARRANTY



VERSAMATIC
PUMPING MADE EASY

Safety Information

IMPORTANT



Read the safety warnings and instructions in this manual before pump installation and start-up. Failure to comply with the recommendations stated in this manual could damage the pump and void factory warranty.



When the pump is used for materials that tend to settle out or solidify, the pump should be flushed after each use to prevent damage. In freezing temperatures the pump should be completely drained between uses.

CAUTION



Before pump operation, inspect all fasteners for loosening caused by gasket creep. Retighten loose fasteners to prevent leakage. Follow recommended torques stated in this manual.



Plastic pumps and plastic components are not UV stabilized. Ultraviolet radiation can damage these parts and negatively affect material properties. Do not expose to UV light for extended periods of time.



WARNING

Pump not designed, tested or certified to be powered by compressed natural gas. Powering the pump with natural gas will void the warranty.



WARNING

The use of non-OEM replacement parts will void (or negate) agency certifications, including CE, ATEX, CSA, 3A and EC1935 compliance (Food Contact Materials). Warren Rupp, Inc. cannot ensure nor warrant non-OEM parts to meet the stringent requirements of the certifying agencies.

WARNING



When used for toxic or aggressive fluids, the pump should always be flushed clean prior to disassembly.



Before maintenance or repair, shut off the compressed air line, bleed the pressure, and disconnect the air line from the pump. Be certain that approved eye protection and protective clothing are worn at all times. Failure to follow these recommendations may result in serious injury or death.



Airborne particles and loud noise hazards. Wear eye and ear protection.



In the event of diaphragm rupture, pumped material may enter the air end of the pump, and be discharged into the atmosphere. If pumping a product that is hazardous or toxic, the air exhaust must be piped to an appropriate area for safe containment.



Take action to prevent static sparking. Fire or explosion can result, especially when handling flammable liquids. The pump, piping, valves, containers and other miscellaneous equipment must be properly grounded.



This pump is pressurized internally with air pressure during operation. Make certain that all fasteners and piping connections are in good condition and are reinstalled properly during reassembly.



Use safe practices when lifting

ATEX Pumps - Conditions For Safe Use

1. Ambient temperature range is as specified in tables 1 & 2 on the next page
2. ATEX compliant pumps are suitable for use in explosive atmospheres when the equipment is properly grounded in accordance with local electrical codes
3. Conductive Polypropylene, conductive Acetal or conductive PVDF pumps are not to be installed in applications where the pumps may be subjected to oil, greases and hydraulic liquids.
4. When operating pumps equipped with non-conductive diaphragms that exceed the maximum permissible projected area, as defined in EN ISO 80079-36 : 2016 section 6.7.5 table 8, the following protection methods must be applied
 - Equipment is always used to transfer electrically conductive fluids or
 - Explosive environment is prevented from entering the internal portions of the pump, i.e. dry running.

Temperature Tables

Table 1. Category 2 ATEX Rated Pumps

Ambient Temperature Range [°C]	Process Temperature Range [°C]	Temperature Class	Maximum Surface Temperature [°C]
-20°C to +60°C	-40°C to +80°C	T5	T100°C
	-40°C to +108°C	T4	T135°C
	-40°C to + 160°C	T3	T200°C
	-40°C to +177°C	(225°C) T2	

Table 2. Category M2 ATEX Rated Pumps for Mining

Ambient Temperature Range [°C]	Process Temperature Range [°C]
-20°C to +60°C	-40°C to +150°C

Note: The ambient temperature range and the process temperature range should not exceed the operating temperature range of the applied plastic parts as listed in the manuals of the pumps.

Table of Contents

SECTION 1: PUMP SPECIFICATIONS.....1

- Nomenclature
- Performance
- Materials
- Dimensional Drawings

SECTION 2: INSTALLATION & OPERATION .10

- Principle of Pump Operation
- Typical Installation Guide
- Troubleshooting

SECTION 3: EXPLODED VIEW.....13

- Composite Drawings
- Parts List
- Composite Drawings
- Parts List
- Materials Code

SECTION 4: WARRANTY & CERTIFICATES ..18

- Warranty
- EU Declaration of Conformity - Machinery Directive
- EU Declaration of Conformity - ATEX Directive

1: PUMP SPECS

2: INSTAL & OP

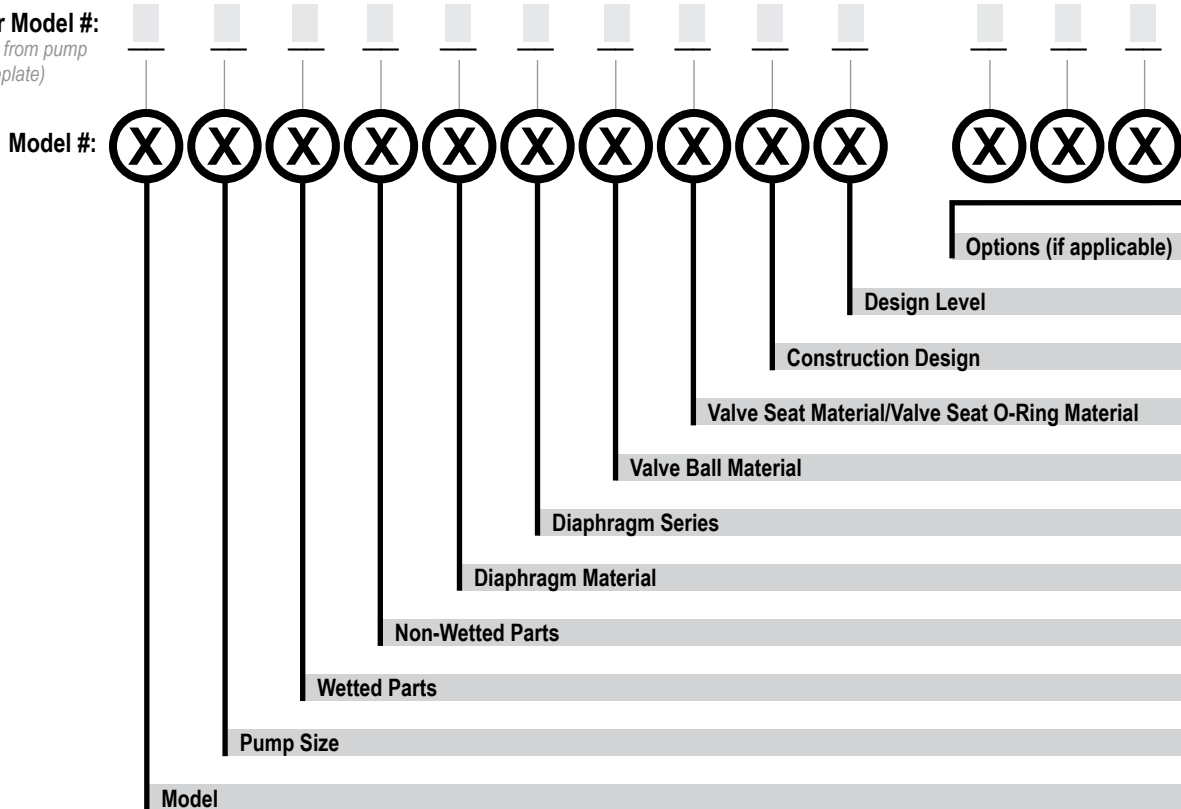
3: EXP VIEW

4: AIR END

Explanation of Pump Nomenclature

Your Serial #: (fill in from pump nameplate) _____

Your Model #: _____
(fill in from pump nameplate)



1: PUMP SPECS

Model

- E Elima-Matic
- U Ultra-Matic
- V V-Series

Pump Size

- 6 1/4"
- 8 3/8"
- 5 1/2"
- 7 3/4"
- 1 1"
- 4 1-1/4" or 1-1/2"
- 2 2"
- 3 3"

Wetted Parts

- A Aluminum
- C Cast Iron
- S Stainless Steel
- H Alloy C
- P Polypropylene
- K Kynar
- G Groundable Acetal
- B Aluminum (screen mount)

Non-Wetted Parts

- A Aluminum
- S Stainless Steel
- P Polypropylene
- G Groundable Acetal
- Z PTFE-coated Aluminum
- J Nickel-plated Aluminum
- C Cast Iron
- Q Epoxy-Coated Aluminum

Diaphragm Material

- 1 Neoprene
- 2 Nitrile (Nitrile)
- 3 FKM (Fluorocarbon)
- 4 EPDM
- 5 PTFE
- 6 Santoprene XL
- 7 Hytrel
- Y FDA Santoprene

Diaphragm Series

- R Rugged
- D Dome
- X Thermo-Matic
- T Tef-Matic (2-piece)
- B Versa-Tuff (1-piece)
- F FUSION (one-piece integrated plate)

Valve Ball Material Valve

- 1 Neoprene
- 2 Nitrile
- 3 (FKM) Fluorocarbon
- 4 EPDM
- 5 PTFE
- 6 Santoprene XL
- 7 Hytrel
- 8 Polyurethane
- A Acetal
- S Stainless Steel
- Y FDA Santoprene

Seat/Valve Seat O-Ring Material

- 1 Neoprene
- 2 Nitrile
- 3 (FKM) Fluorocarbon
- 4 EPDM
- 5 PTFE
- 6 Santoprene XL
- 7 Hytrel
- 8 Polyurethane
- A Aluminum w/ PTFE O-Rings
- S Stainless Steel w/ PTFE O-Rings
- C Carbon Steel w/ PTFE O-Rings
- H Alloy C w/ PTFE O-Rings
- T PTFE Encapsulated Silicone O-Rings
- Y FDA Santoprene

Construction Design

- 9 Bolted
- 0 Clamped

Design Level

- A
- C

Miscellaneous Options

- B BSP Tapered Thread
- CP Center Port
- ATEX ATEX Compliant
- FP Food Processing
- SP Sanitary Pump
- HP High Pressure
- OE Original Elima-Matic
- F Flap Valve
- HD Horizontal Discharge
- 3A 3-A Certified
- UL UL Listed
- OB Oil Bottle

*More than one option may be specified for a particular pump model.



Materials

1: PUMP SPECS

Material Profile:	Operating Temperatures:	
	Max.	Min.
CAUTION! Operating temperature limitations are as follows:		
Conductive Acetal: Tough, impact resistant, ductile. Good abrasion resistance and low friction surface. Generally inert, with good chemical resistance except for strong acids and oxidizing agents.	190°F 88°C	-20°F -29°C
EPDM: Shows very good water and chemical resistance. Has poor resistance to oils and solvents, but is fair in ketones and alcohols.	280°F 138°C	-40°F -40°C
FKM: (Fluorocarbon) Shows good resistance to a wide range of oils and solvents; especially all aliphatic, aromatic and halogenated hydrocarbons, acids, animal and vegetable oils. Hot water or hot aqueous solutions (over 70°F) will attack FKM.	350°F 177°C	-40°F -40°C
Hytrel®: Good on acids, bases, amines and glycols at room temperatures only.	220°F 104°C	-20°F -29°C
Neoprene: All purpose. Resistance to vegetable oils. Generally not affected by moderate chemicals, fats, greases and many oils and solvents. Generally attacked by strong oxidizing acids, ketones, esters and nitro hydrocarbons and chlorinated aromatic hydrocarbons.	200°F 93°C	-10°F -23°C
Nitrile: General purpose, oil-resistant. Shows good solvent, oil, water and hydraulic fluid resistance. Should not be used with highly polar solvents like acetone and MEK, ozone, chlorinated hydrocarbons and nitro hydrocarbons.	190°F 88°C	-10°F -23°C
Nylon: 6/6 High strength and toughness over a wide temperature range. Moderate to good resistance to fuels, oils and chemicals.	180°F 82°C	32°F 0°C

Polypropylene: A thermoplastic polymer. Moderate tensile and flex strength. Resists strong acids and alkali. Attacked by chlorine, fuming nitric acid and other strong oxidizing agents.	180°F 82°C	32°F 0°C
PVDF: (Polyvinylidene Fluoride) A durable fluoroplastic with excellent chemical resistance. Excellent for UV applications. High tensile strength and impact resistance.	250°F 121°C	0°F -18°C
Santoprene®: Injection molded thermoplastic elastomer with no fabric layer. Long mechanical flex life. Excellent abrasion resistance.	275°F 135°C	-40°F -40°C
UHMW PE: A thermoplastic that is highly resistant to a broad range of chemicals. Exhibits outstanding abrasion and impact resistance, along with environmental stress-cracking resistance.	180°F 82°C	-35°F -37°C
Urethane: Shows good resistance to abrasives. Has poor resistance to most solvents and oils.	150°F 66°C	32°F 0°C
Virgin PTFE: (PFA/TFE) Chemically inert, virtually impervious. Very few chemicals are known to chemically react with PTFE; molten alkali metals, turbulent liquid or gaseous fluorine and a few fluoro-chemicals such as chlorine trifluoride or oxygen difluoride which readily liberate free fluorine at elevated temperatures.	220°F 104°C	-35°F -37°C
<i>Maximum and Minimum Temperatures are the limits for which these materials can be operated. Temperatures coupled with pressure affect the longevity of diaphragm pump components. Maximum life should not be expected at the extreme limits of the temperature ranges.</i>		
Metals:		
Alloy C: Equal to ASTM494 CW-12M-1 specification for nickel and nickel alloy.		
Stainless Steel: Equal to or exceeding ASTM specification A743 CF-8M for corrosion resistant iron chromium, iron chromium nickel and nickel based alloy castings for general applications. Commonly referred to as 316 Stainless Steel in the pump industry.		

For specific applications, always consult the Chemical Resistance Chart.

Note: This document is a high level guide. Please be aware that not all model and or material combinations are possible for all sizes. Please consult factory or your distributor for specific details.

Performance

E3 - 3" Bolted Stainless Pump – Metal Center ELASTOMERIC AND TPE FITTED - RUGGED

Flow Rate

Adjustable to 0-273 gpm (1,033 lpm)

Port Size

Suction 3" ANSI 150 lbs Class (DIN80)

Discharge . . . 3" ANSI 150 lbs Class (DIN80)

Air Inlet 1/2" NPT

. . . 3/4" NPT (Stainless Steel Centers ONLY)

Air Exhaust 1" NPT

Suction Lift

Dry 16' (4.9 m)

Wet 31' (9.4 m)

Max Solid Size (Diameter)

. 1/2" (12.7 mm)

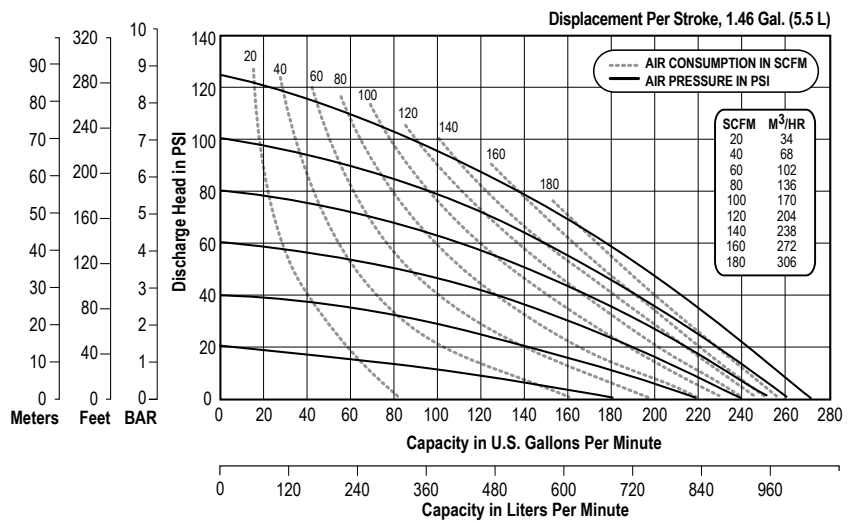
Max Noise Level

. 93 dB(A)

Shipping Weights

Stainless 245 lbs (111.1 kg)

** Stainless Center add 50 lbs. (22.7 kg)



NOTE: Performance based on the following: elastomeric fitted pump, flooded suction, water at ambient conditions. The use of other materials and varying hydraulic conditions may result in deviations in excess of 5%.

E3 - 3" Bolted Stainless Pump – Metal Center ELASTOMERIC AND TPE FITTED - DOMED

Flow Rate

Adjustable to 0-252 gpm (954 lpm)

Port Size

Suction 3" ANSI 150 lbs Class (DIN80)

Discharge . . . 3" ANSI 150 lbs Class (DIN80)

Air Inlet 1/2" NPT

. . . 3/4" NPT (Stainless Steel Centers ONLY)

Air Exhaust 1" NPT

Suction Lift

Dry 17' (5.2 m)

Wet 32' (9.8 m)

Max Solid Size (Diameter)

. 1/2" (12.7 mm)

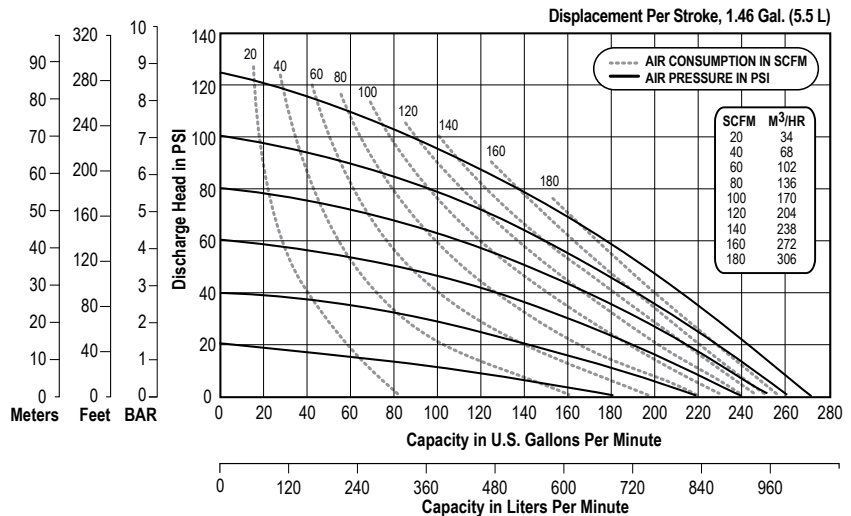
Max Noise Level

. 94 dB(A)

Shipping Weights

Stainless 245 lbs (111.1 kg)

** Stainless Center add 50 lbs. (22.7 kg)



NOTE: Performance based on the following: elastomeric fitted pump, flooded suction, water at ambient conditions. The use of other materials and varying hydraulic conditions may result in deviations in excess of 5%.

E3 - 3" Bolted Stainless Pump – Metal Center PTFE FITTED

Flow Rate

Adjustable to 0-186 gpm (704 lpm)

Port Size

Suction 3" ANSI 150 lbs Class (DIN80)

Discharge . . . 3" ANSI 150 lbs Class (DIN80)

Air Inlet 1/2" NPT

. . . 3/4" NPT (Stainless Steel Centers ONLY)

Air Exhaust 1" NPT

Suction Lift

Dry 13' (4.0 m)

Wet 31' (9.4 m)

Max Solid Size (Diameter)

. 1/2" (12.7 mm)

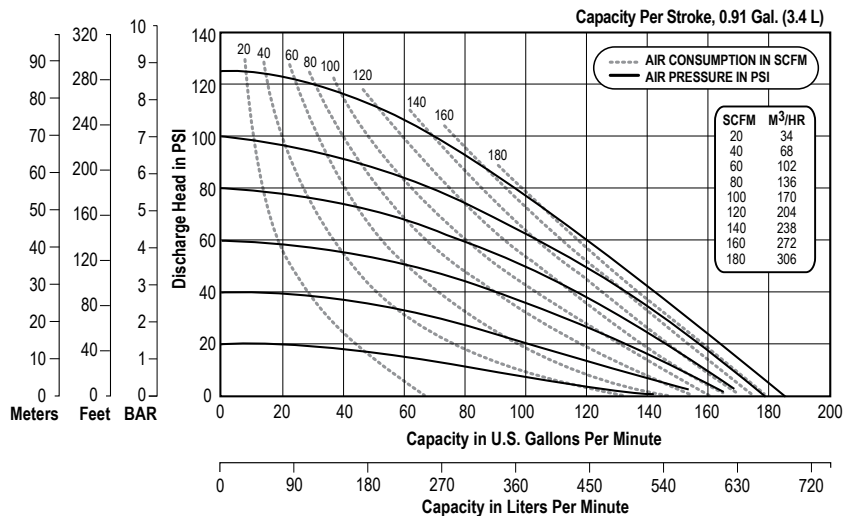
Max Noise Level

. 92 dB(A)

Shipping Weights

Stainless 245 lbs (111.1 kg)

** Stainless Center add 50 lbs. (22.7 kg)



NOTE: Performance based on the following: PTFE fitted pump, flooded suction, water at ambient conditions. The use of other materials and varying hydraulic conditions may result in deviations in excess of 5%.

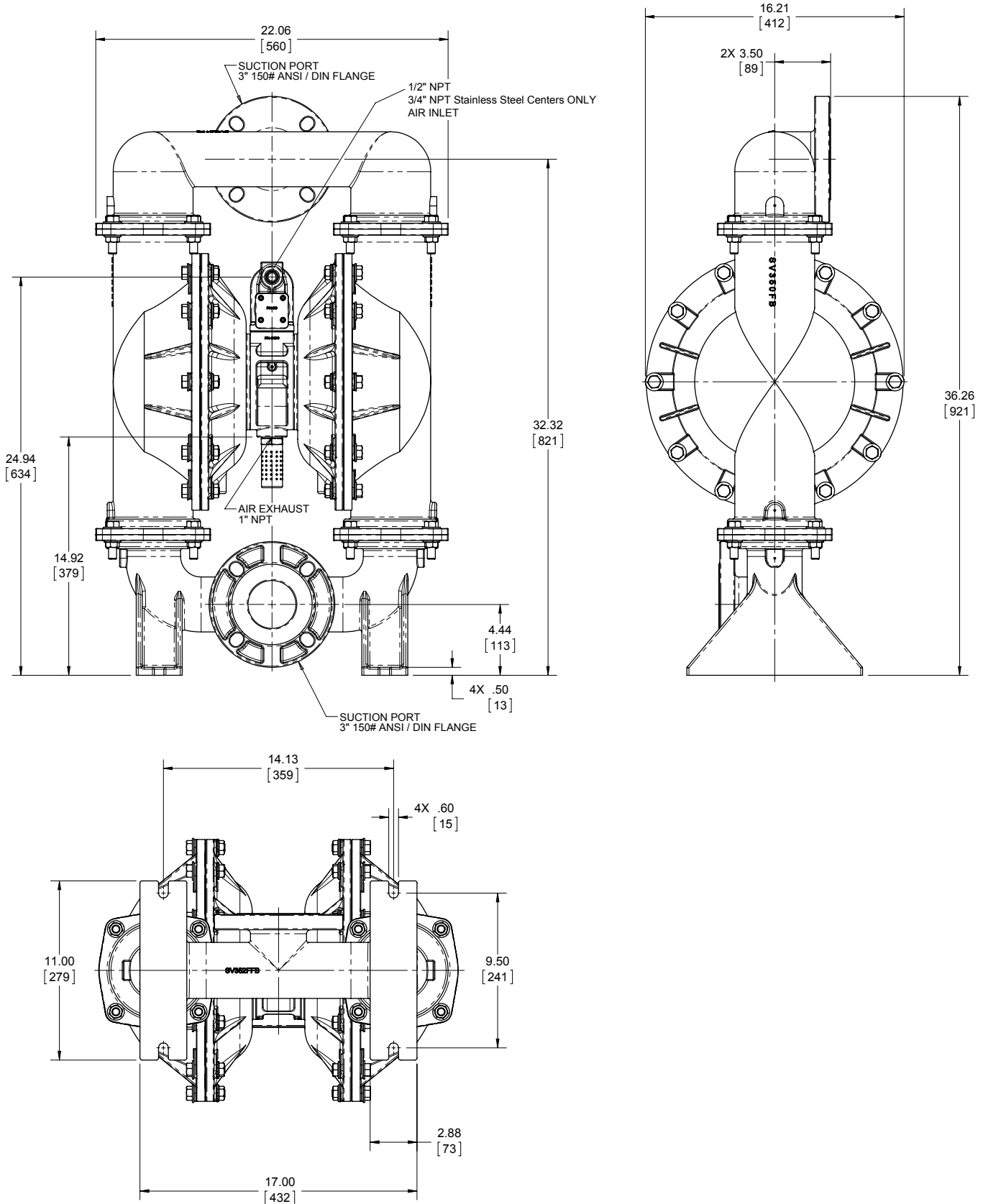


Dimensional Drawings

E3 Bolted Metal

Dimensions in inches (metric dimensions in brackets). Dimensional Tolerance .125" (3mm).

1: PUMP SPECS

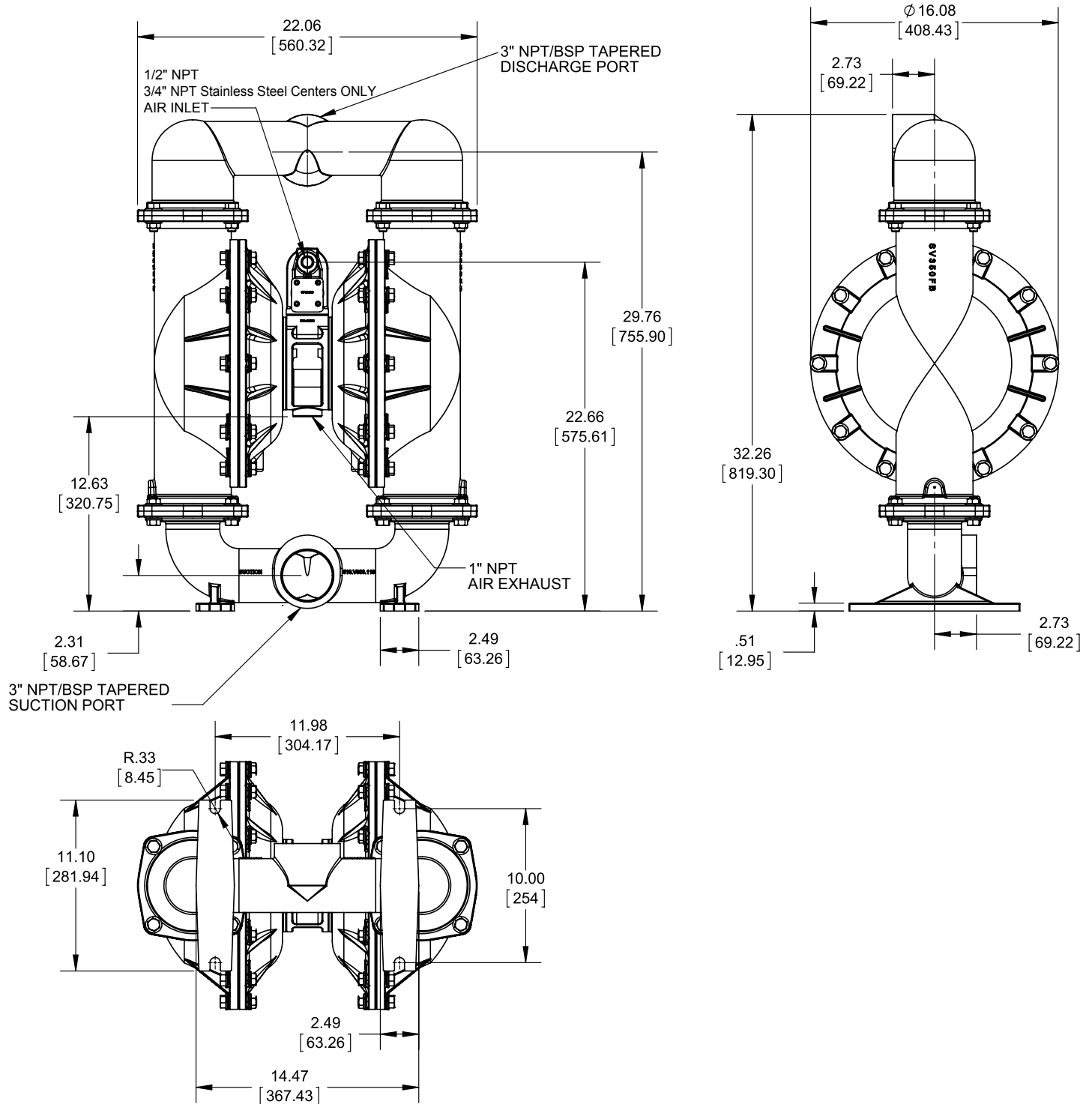


Dimensional Drawings

E3 Bolted Metal

Dimensionally Interchangeable with Versamatic Clamped Pumps

Dimensions in inches (metric dimensions in brackets). Dimensional Tolerance .125" (3mm).



1: PUMP SPECS

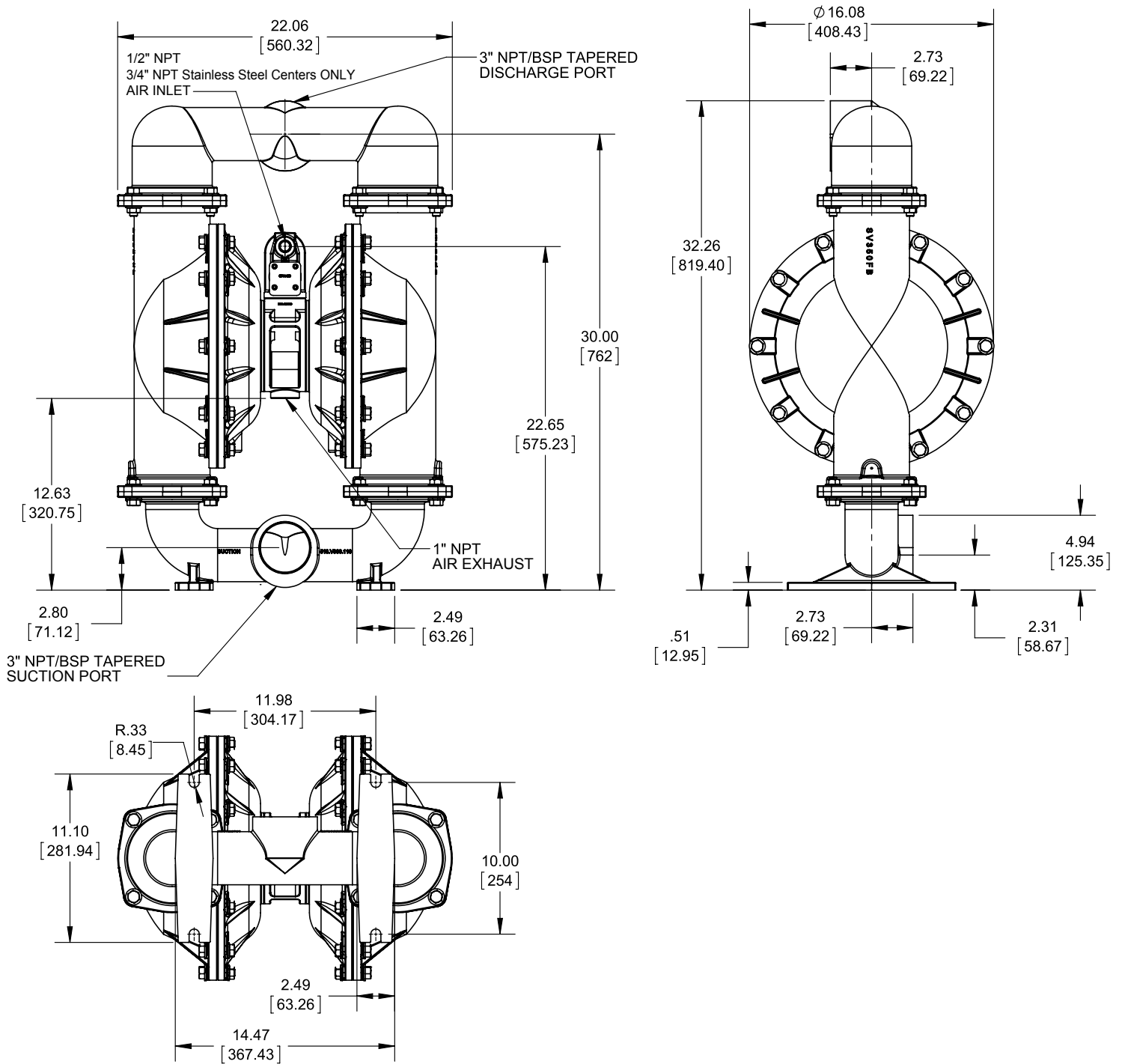
Dimensional Drawings

E3 Bolted Metal

Dimensionally Interchangeable with Wilden Clamped Pumps

Dimensions in inches (metric dimensions in brackets). Dimensional Tolerance .125" (3mm).

1: PUMP SPECS



Principle of Pump Operation

Air-Operated Double Diaphragm (AODD) pumps are powered by compressed air or nitrogen.

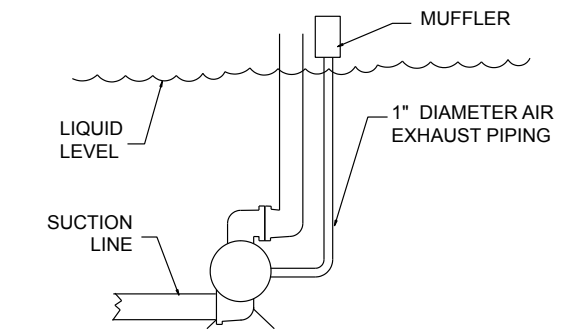
The main directional (air) control valve ① distributes compressed air to an air chamber, exerting uniform pressure over the inner surface of the diaphragm ②. At the same time, the exhausting air ③ from behind the opposite diaphragm is directed through the air valve assembly(s) to an exhaust port ④.

As inner chamber pressure (P1) exceeds liquid chamber pressure (P2), the rod ⑤ connected diaphragms shift together creating discharge on one side and suction on the opposite side. The discharged and primed liquid's directions are controlled by the check valves (ball or flap)⑥ orientation.

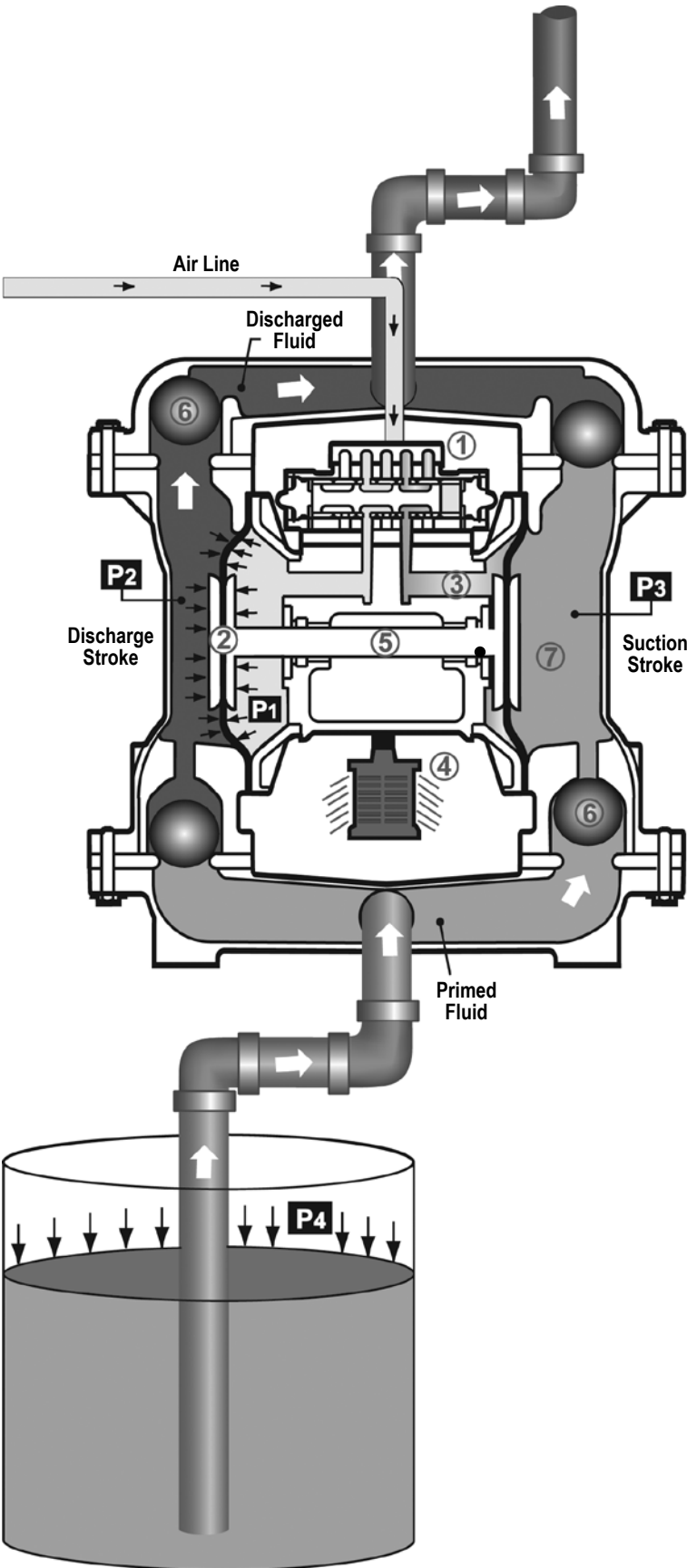
The pump primes as a result of the suction stroke. The suction stroke lowers the chamber pressure (P3) increasing the chamber volume. This results in a pressure differential necessary for atmospheric pressure (P4) to push the fluid through the suction piping and across the suction side check valve and into the outer fluid chamber ⑦.

Suction (side) stroking also initiates the reciprocating (shifting, stroking or cycling) action of the pump. The suction diaphragm's movement is mechanically pulled through its stroke. The diaphragm's inner plate makes contact with an actuator plunger aligned to shift the pilot signaling valve. Once actuated, the pilot valve sends a pressure signal to the opposite end of the main directional air valve, redirecting the compressed air to the opposite inner chamber.

SUBMERGED ILLUSTRATION



Pump can be submerged if the pump materials of construction are compatible with the liquid being pumped. The air exhaust must be piped above the liquid level. When the pumped product source is at a higher level than the pump (flooded suction condition), pipe the exhaust higher than the product source to prevent siphoning spills.



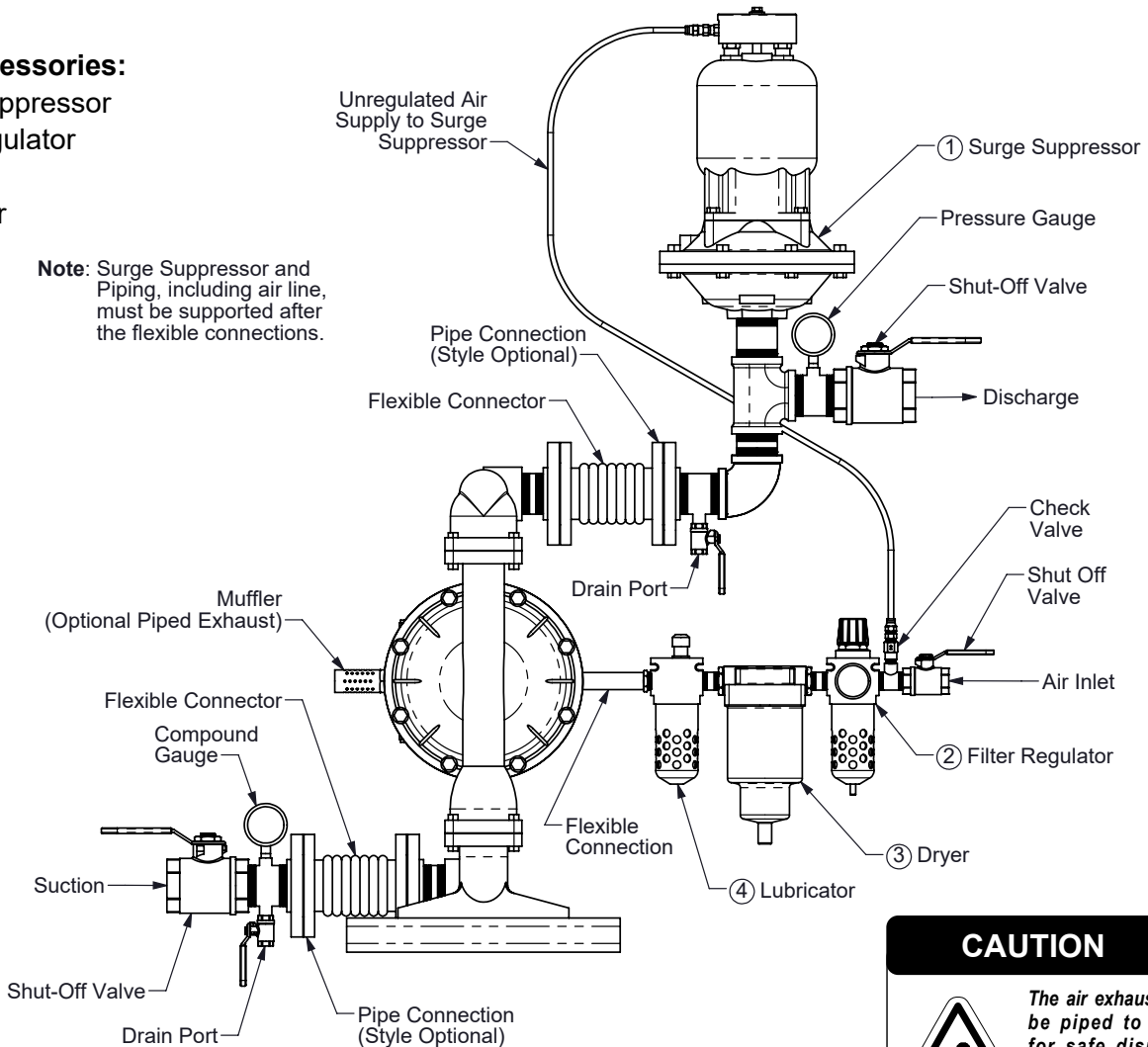
2: INSTAL & OP

Recommended Installation Guide

Available Accessories:

1. Surge Suppressor
2. Filter/Regulator
3. Air Dryer
4. Lubricator

Note: Surge Suppressor and Piping, including air line, must be supported after the flexible connections.



CAUTION



The air exhaust should be piped to an area for safe disposition of the product being pumped, in the event of a diaphragm failure.

Installation And Start-Up

Locate the pump as close to the product being pumped as possible. Keep the suction line length and number of fittings to a minimum. Do not reduce the suction line diameter.

Air Supply

Connect the pump air inlet to an air supply with sufficient capacity and pressure to achieve desired performance. A pressure regulating valve should be installed to insure air supply pressure does not exceed recommended limits.

Air Valve Lubrication

The air distribution system is designed to operate **WITHOUT** lubrication. This is the standard mode of operation. If lubrication is desired, install an air line lubricator set to deliver one drop of SAE 10 non-detergent oil for every 20 SCFM (9.4 liters/sec.) of air the pump consumes. Consult the Performance Curve to determine air consumption.

Air Line Moisture

Water in the compressed air supply may cause icing or freezing of the exhaust air, causing the pump to cycle erratically or stop operating. Water in the air supply can be reduced by using a point-of-use air dryer.

Air Inlet And Priming

To start the pump, slightly open the air shut-off valve. After the pump primes, the air valve can be opened to increase air flow as desired. If opening the valve increases cycling rate, but does not increase the rate of flow, cavitation has occurred. The valve should be closed slightly to obtain the most efficient air flow to pump flow ratio.

Troubleshooting Guide

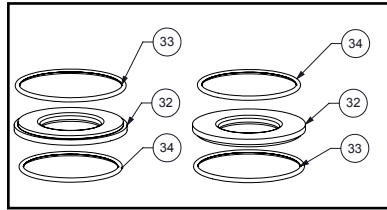
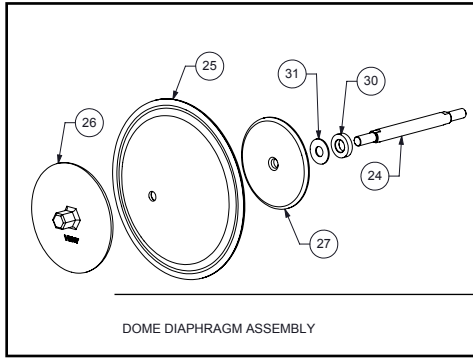
Symptom:	Potential Cause(s):	Recommendation(s):
Pump Cycles Once	Deadhead (system pressure meets or exceeds air supply pressure).	Increase the inlet air pressure to the pump. Pump is designed for 1:1 pressure ratio at zero flow. (Does not apply to high pressure 2:1 units).
	Air valve or intermediate gaskets installed incorrectly.	Install gaskets with holes properly aligned.
	Bent or missing actuator plunger.	Remove pilot valve and inspect actuator plungers.
Pump Will Not Operate / Cycle	Pump is over lubricated.	Set lubricator on lowest possible setting or remove. Units are designed for lube free operation.
	Lack of air (line size, PSI, CFM).	Check the air line size and length, compressor capacity (HP vs. cfm required).
	Check air distribution system.	Disassemble and inspect main air distribution valve, pilot valve and pilot valve actuators.
	Discharge line is blocked or clogged manifolds.	Check for inadvertently closed discharge line valves. Clean discharge manifolds/piping.
	Deadhead (system pressure meets or exceeds air supply pressure).	Increase the inlet air pressure to the pump. Pump is designed for 1:1 pressure ratio at zero flow. (Does not apply to high pressure 2:1 units).
	Blocked air exhaust muffler.	Remove muffler screen, clean or de-ice, and re-install.
	Pumped fluid in air exhaust muffler.	Disassemble pump chambers. Inspect for diaphragm rupture or loose diaphragm plate assembly.
	Pump chamber is blocked.	Disassemble and inspect wetted chambers. Remove or flush any obstructions.
Pump Cycles and Will Not Prime or No Flow	Cavitation on suction side.	Check suction condition (move pump closer to product).
	Check valve obstructed. Valve ball(s) not seating properly or sticking.	Disassemble the wet end of the pump and manually dislodge obstruction in the check valve pocket. Clean out around valve ball cage and valve seat area. Replace valve ball or valve seat if damaged. Use heavier valve ball material.
	Valve ball(s) missing (pushed into chamber or manifold).	Worn valve ball or valve seat. Worn fingers in valve ball cage (replace part). Check Chemical Resistance Guide for compatibility.
	Valve ball(s)/seat(s) damaged or attacked by product.	Check Chemical Resistance Guide for compatibility.
	Check valve and/or seat is worn or needs adjusting.	Inspect check valves and seats for wear and proper setting. Replace if necessary.
	Suction line is blocked.	Remove or flush obstruction. Check and clear all suction screens or strainers.
	Excessive suction lift.	For lifts exceeding 20' of liquid, filling the chambers with liquid will prime the pump in most cases.
	Suction side air leakage or air in product.	Visually inspect all suction-side gaskets and pipe connections.
	Pumped fluid in air exhaust muffler.	Disassemble pump chambers. Inspect for diaphragm rupture or loose diaphragm plate assembly.
Pump Cycles Running Sluggish/Stalling, Flow Unsatisfactory	Over lubrication.	Set lubricator on lowest possible setting or remove. Units are designed for lube free operation.
	Icing.	Remove muffler screen, de-ice, and re-install. Install a point of use air drier.
	Clogged manifolds.	Clean manifolds to allow proper air flow
	Deadhead (system pressure meets or exceeds air supply pressure).	Increase the inlet air pressure to the pump. Pump is designed for 1:1 pressure ratio at zero flow. (Does not apply to high pressure 2:1 units).
	Cavitation on suction side.	Check suction (move pump closer to product).
	Lack of air (line size, PSI, CFM).	Check the air line size, length, compressor capacity.
	Excessive suction lift.	For lifts exceeding 20' of liquid, filling the chambers with liquid will prime the pump in most cases.
	Air supply pressure or volume exceeds system hd.	Decrease inlet air (press. and vol.) to the pump. Pump is cavitating the fluid by fast cycling.
	Undersized suction line.	Meet or exceed pump connections.
	Restrictive or undersized air line.	Install a larger air line and connection.
	Suction side air leakage or air in product.	Visually inspect all suction-side gaskets and pipe connections.
	Suction line is blocked.	Remove or flush obstruction. Check and clear all suction screens or strainers.
	Pumped fluid in air exhaust muffler.	Disassemble pump chambers. Inspect for diaphragm rupture or loose diaphragm plate assembly.
	Check valve obstructed.	Disassemble the wet end of the pump and manually dislodge obstruction in the check valve pocket.
	Check valve and/or seat is worn or needs adjusting.	Inspect check valves and seats for wear and proper setting. Replace if necessary.
Entrained air or vapor lock in chamber(s).	Purge chambers through tapped chamber vent plugs. Purging the chambers of air can be dangerous.	
Product Leaking Through Exhaust	Diaphragm failure, or diaphragm plates loose.	Replace diaphragms, check for damage and ensure diaphragm plates are tight.
	Diaphragm stretched around center hole or bolt holes.	Check for excessive inlet pressure or air pressure. Consult Chemical Resistance Chart for compatibility with products, cleaners, temperature limitations and lubrication.
Premature Diaphragm Failure	Cavitation.	Enlarge pipe diameter on suction side of pump.
	Excessive flooded suction pressure.	Move pump closer to product. Raise pump/place pump on top of tank to reduce inlet pressure. Install Back pressure device (Tech bulletin 41r). Add accumulation tank or pulsation dampener.
	Misapplication (chemical/physical incompatibility).	Consult Chemical Resistance Chart for compatibility with products, cleaners, temperature limitations and lubrication.
	Incorrect diaphragm plates or plates on backwards, installed incorrectly or worn.	Check Operating Manual to check for correct part and installation. Ensure outer plates have not been worn to a sharp edge.
Unbalanced Cycling	Excessive suction lift.	For lifts exceeding 20' of liquid, filling the chambers with liquid will prime the pump in most cases.
	Undersized suction line.	Meet or exceed pump connections.
	Pumped fluid in air exhaust muffler.	Disassemble pump chambers. Inspect for diaphragm rupture or loose diaphragm plate assembly.
	Suction side air leakage or air in product.	Visually inspect all suction-side gaskets and pipe connections.
	Check valve obstructed.	Disassemble the wet end of the pump and manually dislodge obstruction in the check valve pocket.
	Check valve and/or seat is worn or needs adjusting.	Inspect check valves and seats for wear and proper setting. Replace if necessary.
Entrained air or vapor lock in chamber(s).	Purge chambers through tapped chamber vent plugs.	

2: INSTAL & OP

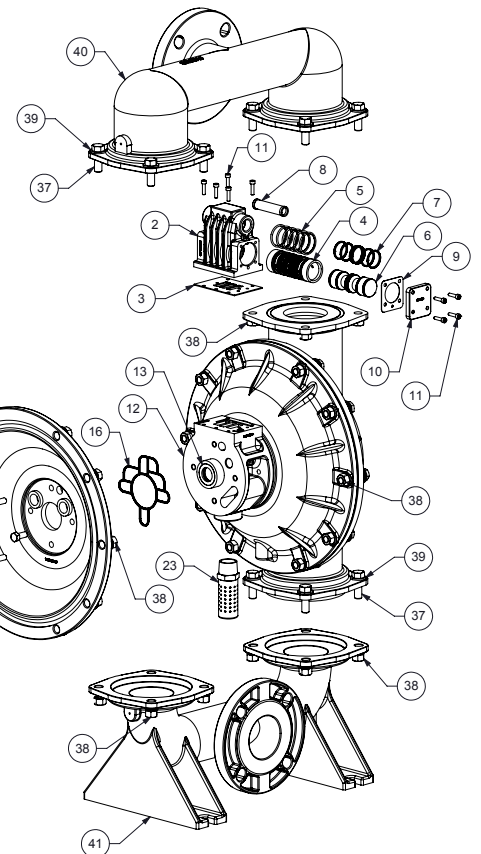
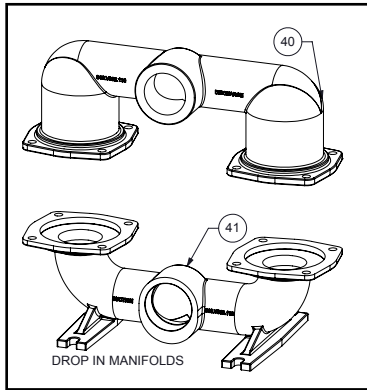
For additional troubleshooting tips contact After Sales Support at service.warrenrupp@idexcorp.com or 419-524-8388



Composite Repair Parts Drawing - Elastomeric and TPE Fitted



Torque Setting:
720 in-lbs.
(81 N-m)
960 in-lbs (XL)
(108 N-m) (XL)

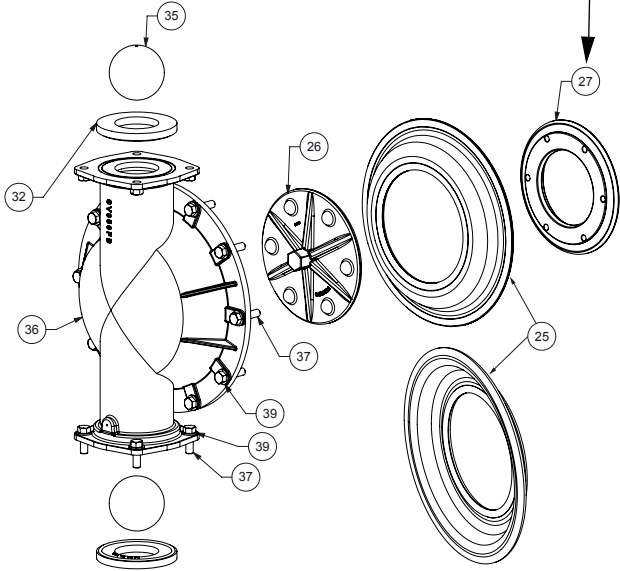


Torque Setting:
300 in-lbs.
(33 N-m)

Torque Setting:
960 in-lbs.
(180 N-m)

Torque Setting:
300 in-lbs.
(33 N-m)

3: EXP VIEW



Optional orientation:
 To ease assembly of the TPE diaphragms,
 one of the diaphragms may be reversed.

Composite Repair Parts List - Elastomeric and TPE Fitted

Air Valve Assembly				
Item #	Qty.	Description	Aluminum Part Number	Stainless Steel Part Number
		Air Side Repair Kit (Includes Items 3,5,7,9,14,16,18-22)	476.V029.000	476.V030.000
1	1	Valve Body (includes items 2-11)	031.V003.156	031.V003.110
2	1	Valve Body	095.V001.156	095.V001.110
3	1	Valve Body Gasket		P24-202
4	1	Valve Sleeve		755.V005.148
5	6	O-ring		560.206.360
6	1	Valve Spool Assembly (Includes items 7)		775.V001.000
7	6	Glyde Ring Assembly		P34-204F
8	1	Air Valve Screen	P24-210	P34-210
9	2	End Cap Gasket		P24-205
10	2	End Cap	P34-300	SP34-300
11	13	Mounting Screws (8 included on item 1)		S1001
Center Section Assembly				
Item #	Qty.	Description	Aluminum Part Number	Stainless Steel Part Number
12	1	Center Block Assembly (Includes item 13 & 14)	P34-400DC ASY	SP34-400
13	2	Bearing Sleeve		P34-404
14	2	Main Shaft O-Ring		P34-403
15	2	Air Chamber	196.V008.157	196.V008.110
16	2	Air Chamber Gasket	P79-109	360.V001.360
17	8	Bolt	P24-110	SP24-110
		Pilot Repair Kit (Includes Items 18-22)		476.V028.000
18	1	Pilot Sleeve Assembly (include item 19)		755.V002.000
19	6	O-ring		560.101.358
20	1	Retaining Ring		675.037.080
21	1	Pilot Spool Assembly (Includes item 22)		775.V006.000
22	8	O-ring		560.023.358
23	1	Muffler		530.033.000
Diaphragm Assembly / Elastomers				
Item #	Qty.	Description	Part Number	
			Versa-Rugged	Versa-Dome
24	1	Main Shaft	P34-103	
25	2	Diaphragm (See Below Material Chart)	V305xx	V306xx
26	2	Outer Diaphragm Plate	SV302B, HV302B	SVB307, HVB307
27	2	Inner Diaphragm Plate	V302CDC	V307B
28	12	Bolt	V302G	N/A
29	12	Washer	V302GA	N/A
30	2	Bumper Washer	P34-501	
31	2	Back-Up Washer	V302E	
32	4	Valve Seat (See Below Material Chart)	V456xx	
33	4	Valve seat O-Ring (See Note 1)	SV456TES-1	
34	4	Valve seat O-Ring (See Note 1)	SV456TES-2	
35	4	Valve Ball (See Below Material Chart)	V455xx	
Wet End Assembly				
Item #	Qty.	Description	Part Number	
			Stainless Steel	Hastaloy
36	2	Water Chamber	SV350FB	HV350FB
37	36	Bolt	SV387A	
38	36	Nut	SV387C	
39	36	Washer	SV387B	
40	2	Discharge Manifold	SV351FB	HV351FB
	1	Discharge Drop in Manifold	518.V002.110	
	1	Discharge Drop in Manifold (BSP)	518.V002.110 E	
41	1	Suction Manifold	SV352FFB	HV352FB
	1	Suction Drop in Manifold	518.V003.110	
	1	Suction Drop in Manifold (BSP)	518.V003.110 E	
	1	Suction WD Drop in Manifold	518.V003.110 W	
	1	Suction WD Drop in Manifold (BSP)	518.V003.110 WE	
Elastomer Material Specifications				
Material	Versa-Rugged Diaphragm P/N	Versa-Dome Diaphragm P/N	"Ball P/N"	Seat P/N
Neoprene	V305N	V306N	V455N	V456N
Nitrile	V305BN	V306BN	V455BN	V456BN
FKM	V305VT	V306VT	V455VT	V456VT
EPDM	V305ND	V306ND	V455ND	V456ND
PTFE	N/A	N/A	V455TF	V456TF
Santoprene	V305TPEXL	N/A	V455TPEXL	V456TPEXL
Hytrel	V305TPEFG	N/A	V455TPEFG	V456TPEFG
Stainless Steel	N/A	N/A	N/A	SV456 (see note 1)

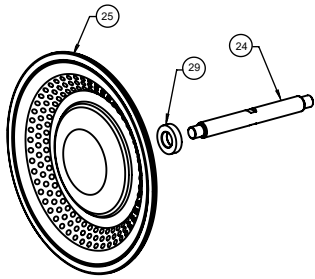
3: EXP VIEW

Notes:

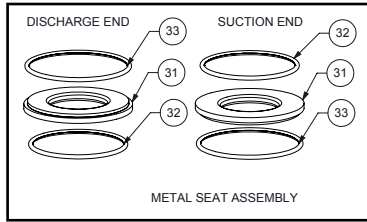
1.) These O-Rings are only needed with the stainless steel valve seat SV456



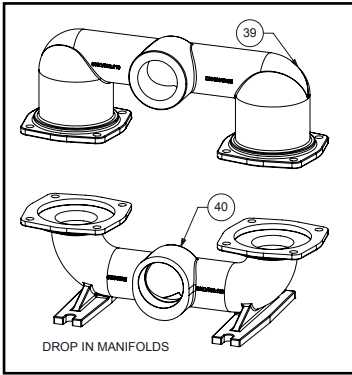
Composite Repair Parts Drawing - PTFE Fitted



FUSION DIAPHRAGM ASSEMBLY

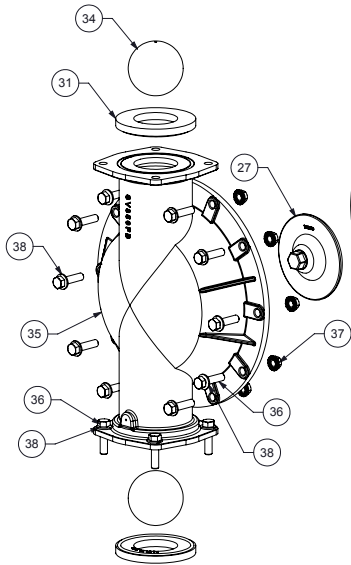
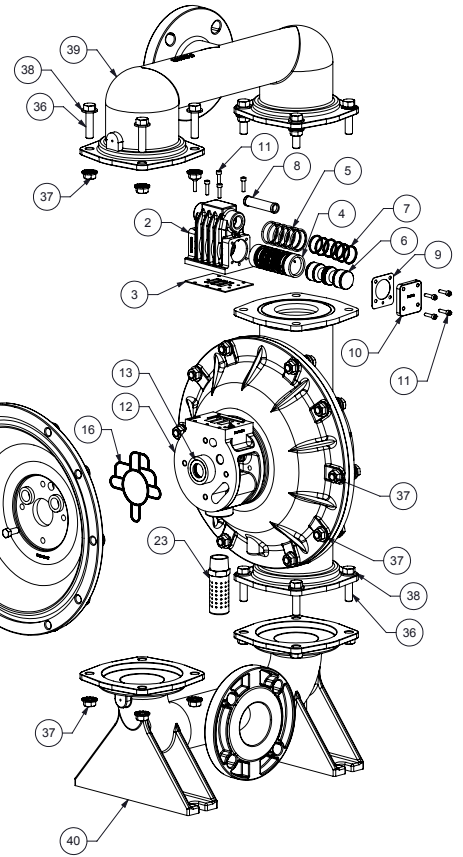


METAL SEAT ASSEMBLY



DROP IN MANIFOLDS

Torque Setting:
300 in-lbs.
(33 N-m)



3: EXP VIEW

Composite Repair Parts List - PTFE Fitted

Air Valve Assembly				
Item #	Qty.	Description	Aluminum Part Number	Stainless Steel Part Number
		Air Side Repair Kit (Includes Items 3,5,7,9,14,16,18-22)	476.V029.000	476.V030.000
1	1	Valve Body (includes items 2-11)	031.V003.156	031.V003.110
2	1	Valve Body	095.V001.156	095.V001.110
3	1	Valve Body Gasket		P24-202
4	1	Valve Sleeve		755.V005.148
5	6	O-ring		560.206.360
6	1	Valve Spool Assembly (Includes items 7)		775.V001.000
7	6	Glyde Ring Assembly		P34-204F
8	1	Air Valve Screen	P24-210	P34-210
9	2	End Cap Gasket		P24-205
10	2	End Cap	P34-300	SP34-300
11	13	Mounting Screws (8 included on item 1)		S1001
Center Section Assembly				
Item #	Qty.	Description	Aluminum Part Number	Stainless Steel Part Number
12	1	Center Block Assembly (Includes item 13)	P34-400DC ASY	SP34-400
13	2	Bearing Sleeve		P34-404
14	2	Main Shaft O-Ring		P34-403
15	2	Air Chamber	196.V008.157	196.V008.110
16	2	Air Chamber Gasket	P79-109	360.V001.360
17	8	Bolt	P24-110	SP24-110
		Pilot Repair Kit (Includes Items 18-22)		476.V028.000
18	1	Pilot Sleeve Assembly (include item 19)		755.V002.000
19	6	O-ring		560.101.358
20	1	Retaining Ring		675.037.080
21	1	Pilot Spool Assembly (Includes item 22)		775.V006.000
22	8	O-ring		560.023.358
23	1	Muffler		530.033.000
Diaphragm Assembly / Elastomers				
Item #	Qty.	Description	Part Number	
			PTFE Two Piece	PTFE Fusion
24	1	Main Shaft	P34-103	P34-103F
25	2	Diaphragm	V305TF-FB	V305F
26	2	Back Up Diaphragm	V305TFB	N/A
27	2	Outer Diaphragm Plate	SV302TO, HV302TO	
28	2	Inner Diaphragm Plate	SV302TI	
29	2	Bumper Washer		P34-501
30	2	Back-Up Washer	V302E	
31	4	Valve Seat (See Below Material Chart)		V456TF (See Note 1)
32	4	Valve seat O-Ring (See Note 2)		SV456TES-1
33	4	Valve seat O-Ring (See Note 2)		SV456TES-2
34	4	Valve Ball (See Below Material Chart)		V455TF
Wet End Assembly				
Item #	Qty.	Description	Part Number	
			Stainless Steel	Hastaloy
35	2	Water Chamber	SV350FB	HV350FB
36	36	Bolt		SV387A
37	36	Nut		SV387C
38	36	Washer		SV387B
	1	Discharge Manifold	SV351FB	HV351FB
39	1	Discharge Drop in Manifold	518.V002.110	
	1	Discharge Drop in Manifold(BSP)	518.V002.110 E	
	1	Suction Manifold	SV352FFB	HV352FB
40	1	Suction Drop in Manifold	518.V003.110	
	1	Suction Drop in Manifold (BSP)	518.V003.110 E	
	1	Suction WD Drop in Manifold	518.V003.110 W	
	1	Suction WD Drop in Manifold (BSP)	518.V003.110 WE	
41	1	Foot Bracket(for SV352FB only)-Not Shown	SP55-390	

Notes:

- 1.) (4) SV456 valve seats can be used as an alternative to the PTFE seats.
- 2.) These O-Rings are only needed with the stainless steel valve seat SV456

3: EXP VIEW



Material Codes - The Last 3 Digits of Part Number

000.....Assembly, sub-assembly; and some purchased items	364.....EPDM Rubber Color coded: BLUE
010.....Cast Iron	365.....Neoprene Rubber Color coded: GREEN
015.....Ductile Iron	366.....Food Grade Nitrile
020.....Ferritic Malleable Iron	368.....Food Grade EPDM
080.....Carbon Steel, AISI B-1112	371.....Philthane (Tuftane)
110.....Alloy Type 316 Stainless Steel	374.....Carboxylated Nitrile
111.....Alloy Type 316 Stainless Steel (Electro Polished)	375.....Fluorinated Nitrile
112.....Alloy C	378.....High Density Polypropylene
113.....Alloy Type 316 Stainless Steel (Hand Polished)	379.....Conductive Nitrile
114.....303 Stainless Steel	408.....Cork and Neoprene
115.....302/304 Stainless Steel	425.....Compressed Fibre
117.....440-C Stainless Steel (Martensitic)	426.....Blue Gard
120.....416 Stainless Steel (Wrought Martensitic)	440.....Vegetable Fibre
148.....Hardcoat Anodized Aluminum	500.....Delrin® 500
150.....6061-T6 Aluminum	502.....Conductive Acetal, ESD-800
152.....2024-T4 Aluminum (2023-T351)	503.....Conductive Acetal, Glass-Filled
155.....356-T6 Aluminum	506.....Delrin® 150
156.....356-T6 Aluminum	520.....Injection Molded PVDF Natural color
157.....Die Cast Aluminum Alloy #380	540.....Nylon
158.....Aluminum Alloy SR-319	542.....Nylon
162.....Brass, Yellow, Screw Machine Stock	544.....Nylon Injection Molded
165.....Cast Bronze, 85-5-5-5	550.....Polyethylene
166.....Bronze, SAE 660	551.....Glass Filled Polypropylene
170.....Bronze, Bearing Type, Oil Impregnated	552.....Unfilled Polypropylene
180.....Copper Alloy	555.....Polyvinyl Chloride
305.....Carbon Steel, Black Epoxy Coated	556.....Black Vinyl
306.....Carbon Steel, Black PTFE Coated	558.....Conductive HDPE
307.....Aluminum, Black Epoxy Coated	570.....Rulon II®
308.....Stainless Steel, Black PTFE Coated	580.....Ryton®
309.....Aluminum, Black PTFE Coated	600.....PTFE (virgin material) Tetrafluorocarbon (TFE)
313.....Aluminum, White Epoxy Coated	603.....Blue Gylon®
330.....Zinc Plated Steel	604.....PTFE
332.....Aluminum, Electroless Nickel Plated	606.....PTFE
333.....Carbon Steel, Electroless Nickel Plated	607.....Envelon
335.....Galvanized Steel	608.....Conductive PTFE
337.....Silver Plated Steel	610.....PTFE Encapsulated Silicon
351.....Food Grade Santoprene®	611.....PTFE Encapsulated FKM
353.....Geolast; Color: Black	632.....Neoprene/Hytrel®
354.....Injection Molded #203-40 Santoprene® Duro 40D +/-5; Color: RED	633.....FKM/PTFE
356.....Hytrel®	634.....EPDM/PTFE
357.....Injection Molded Polyurethane	635.....Neoprene/PTFE
358.....Urethane Rubber (Some Applications) (Compression Mold)	637.....PTFE, FKM/PTFE
359.....Urethane Rubber	638.....PTFE, Hytrel®/PTFE
360.....Nitrile Rubber Color coded: RED	639.....Nitrile/TFE
363.....FKM (Fluorocarbon) Color coded: YELLOW	643.....Santoprene®/EPDM
	644.....Santoprene®/PTFE
	656.....Santoprene® Diaphragm and Check Balls/EPDM Seats
	661.....EPDM/Santoprene®
	666.....FDA Nitrile Diaphragm, PTFE Overlay, Balls, and Seals
	668.....PTFE, FDA Santoprene®/PTFE

- Delrin and Hytrel are registered tradenames of E.I. DuPont.
- Nylatron is a registered tradename of Polymer Corp.
- Gylon is a registered tradename of Garlock, Inc.
- Santoprene is a registered tradename of Exxon Mobil Corp.
- Rulon II is a registered tradename of Dixon Industries Corp.
- Ryton is a registered tradename of Phillips Chemical Co.
- Valox is a registered tradename of General Electric Co.

RECYCLING

Warren Rupp, manufacturer of Versamatic, is an ISO14001 registered company and is committed to minimizing the impact our products have on the environment. Many components of Versamatic® AODD pumps are made of recyclable materials. We encourage pump users to recycle worn out parts and pumps whenever possible, after any hazardous pumped fluids are thoroughly flushed. Pump users that recycle will gain the satisfaction to know that their discarded part(s) or pump will not end up in a landfill. The recyclability of Versamatic products is a vital part of Warren Rupp's commitment to environmental stewardship.

5 - YEAR Limited Product Warranty

Quality System ISO9001 Certified • Environmental Management Systems ISO14001 Certified

Versamatic warrants to the original end-use purchaser that no product sold by Versamatic that bears a Versamatic brand shall fail under normal use and service due to a defect in material or workmanship within five years from the date of shipment from Versamatic's factory.

The use of non-OEM replacement parts will void (or negate) agency certifications, including CE, ATEX, CSA, 3A and EC1935 compliance (Food Contact Materials). Warren Rupp, Inc. cannot ensure nor warrant non-OEM parts to meet the stringent requirements of the certifying agencies.

~ See complete warranty at http://vm.salesmrc.com/pdfs/VM_Product_Warranty.pdf

DECLARATION OF CONFORMITY

DECLARATION DE CONFORMITE • DECLARACION DE CONFORMIDAD • ERKLÄRUNG BEZÜGLICH EINHALTUNG DER VORSCHRIFTEN
DICHIARAZIONE DI CONFORMITÀ • CONFORMITEITSVERKLARING • DEKLARATION OM ÖVERENSSTÄMMELSE
EF-OVERENSSTEMMELSESERKLÆRING • VAATIMUSTENMUKAISUUSVAKUUTUS • SAMSVARSERKLÄRING
DECLARAÇÃO DE CONFORMIDADE

MANUFACTURED BY:

FABRIQUE PAR:
FABRICADA POR:
HERGESTELLT VON:
FABBRICATO DA:
VERVAARDIGD DOOR:
TILLVERKAD AV:
FABRIKANT:
VALMISTAJA:
PRODUSENT:
FABRICANTE:

VERSAMATIC®
Warren Rupp, Inc.
A Unit of IDEX Corporation
800 North Main Street
P.O. Box 1568
Mansfield, OH 44901-1568 USA

Tel: 419-526-7296
Fax: 419-526-7289



PUMP MODEL SERIES: E SERIES, V SERIES, VT SERIES, VSMA3, SPA15, RE SERIES AND U2 SERIES

This product complies with the following European Community Directives:

Ce produit est conforme aux directives de la Communauté européenne suivantes:

Este producto cumple con las siguientes Directrices de la Comunidad Europea:

Dieses produkt erfüllt die folgenden Vorschriften der Europäischen Gemeinschaft:

Questo prodotto è conforme alle seguenti direttive CEE:

Dir produkt voldoet aan de volgende EG-richtlijnen:

Denna produkt överensstämmer med följande EU direktiv:

Versamatic, Inc., erklærer herved som fabrikant, at ovennævnte produkt er i overensstemmelse med bestemmelserne i Direktive:

Tämä tuote täyttää seuraavien EC Direktiivien vaatimukset:

Dette produkt oppfyller kravene til følgende EC Direktiver:

Este produto está de acordo com as seguintes Directivas comunitárias:

2006/42/EC
on Machinery, according
to Annex VIII

This product has used the following harmonized standards to verify conformance:

Ce matériel est fabriqué selon les normes harmonisées suivantes, afin d' en garantir la conformité:

Este producto cumple con las siguientes directrices de la comunidad europea:

Dieses produkt ist nach folgenden harmonisierten standards gefertigt worden, die übereinstimmung wird bestätigt:

Questo prodotto ha utilizzato i seguenti standards per verificare la conformità:

De volgende geharmoniseerde normen werden gehanteerd om de conformiteit van dit produkt te garanderen:

För denna produkt har följande harmoniserande standarder använts för att bekräfta överensstämmelse:

Harmoniserede standarder, der er benyttet:

Tässä tuotteessa on sovellettu seuraavia yhdenmukaistettuja standardeja:

Dette produkt er produsert i overensstemmelse med følgende harmoniserte standarder:

Este produto utilizou os seguintes padrões harmonizados para verificar conformidade:

EN809:2012

AUTHORIZED/ APPROVED BY:

Approuve par:
Aprobado por:
Genehmigt von:
approvato da:
Goedgekeurd door:
Underskrift:
Valtuutettuna:
Bemyndiget av:
Autorizado Por:

David Roseberry
Dave Roseberry

Director of Engineering

Authorized Representative:

IDEX Pump Technologies
R79 Shannon Industrial Estate,
Shannon, Co. Clare Ireland
Attn: Barry McMahon

DATE: February 27, 2017

FECHA:
DATUM:
DATA:
DATO:
PÄIVÄYS:



VMQR 044FM

06/14/2017 REV 08



WWW.VERSAMATIC.COM

e3mdlCsmATEXMB-rev1219

Model E3 Bolted Metal • 18

EU Declaration of Conformity

Manufacturer:

Versamatic
A Unit of IDEX Corporation
800 North Main Street
Mansfield, OH 44902 USA



Warren Rupp, Inc declares that Air Operated Double Diaphragm Pumps (AODD) and Surge Suppressors listed below comply with the requirements of **Directive 2014/34/EU** and all the applicable standards.

Applicable Standards:

- EN ISO 80079-36: 2016
- EN ISO 80079-37: 2016
- EN60079-25: 2010

1. AODD Pumps and Surge Suppressors - Technical File No.: 20310400 -1410/MER

Hazardous Location Applied:



II 2 G Ex h IIC T5...225°C (T2) Gb
II 2 D Ex h IIIC T100°C...T200°C Db

- Metal pump models with external aluminum components (E-series)
- Versa-Surge® surge suppressors (VTA-Series)

2. AODD Pumps - Technical File No.: 20310400 -1410/MER - On File With: DEKRA Certification B.V. (0344)

Meander 1051
6825 MJ Arnhem
The Netherlands

Hazardous Location Applied:



I M2 Ex h Mb
II 2 G Ex h IIC T5...225°C (T2) Gb
II 2 D Ex h IIIC T100°C...T200°C Db

- Metal pump models with no external aluminum (E-Series)
- Conductive plastic pumps (E-Series Plastic)

➤ See "Safety Information" page for conditions of safe use

DATE/OF REVISION/TITLE:
19 DEC 2018

David Roseberry
Dave Roseberry
Director of Engineering

