

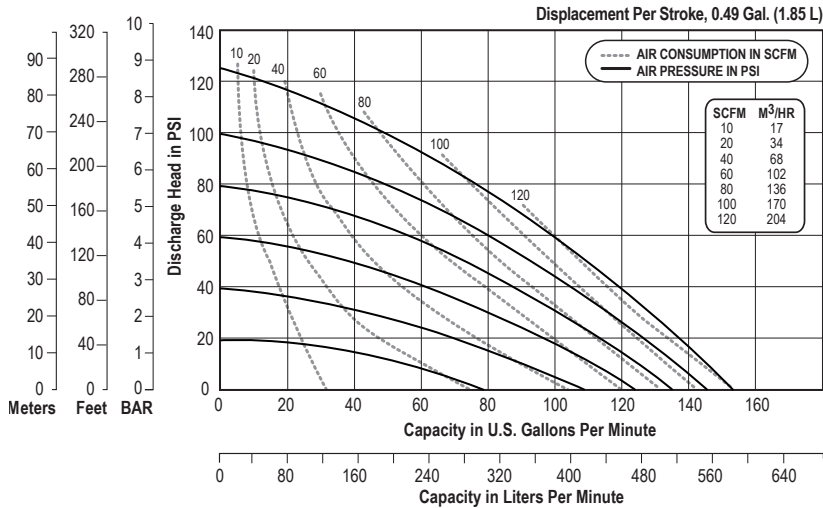
# E2 DATA SHEET

## SPECIFICATIONS & PERFORMANCE

# 2" Bolted Metal – ATEX

with Metal Center Section

### PERFORMANCE



NOTE: Performance based on the following: elastomeric fitted pump, flooded suction, water at ambient conditions. The use of other materials and varying hydraulic conditions may result in deviations in excess of 5%.

### SPECIFICATIONS

#### Flow Rate

Adjustable to . . .0-160 gpm (606 lpm)

#### Port Size

Suction . . . . .

2" ANSI Flange (DIN Compatible)

Discharge . . . . .

2" ANSI Flange (DIN Compatible)

Air Inlet . . . . . 1/2" NPT

Air Exhaust . . . . . 1" NPT

#### Suction Lift

Dry . . . . . 14' (4.3 m)

Wet . . . . . 30' (9.1 m)

#### Max Solid Size (Diameter)

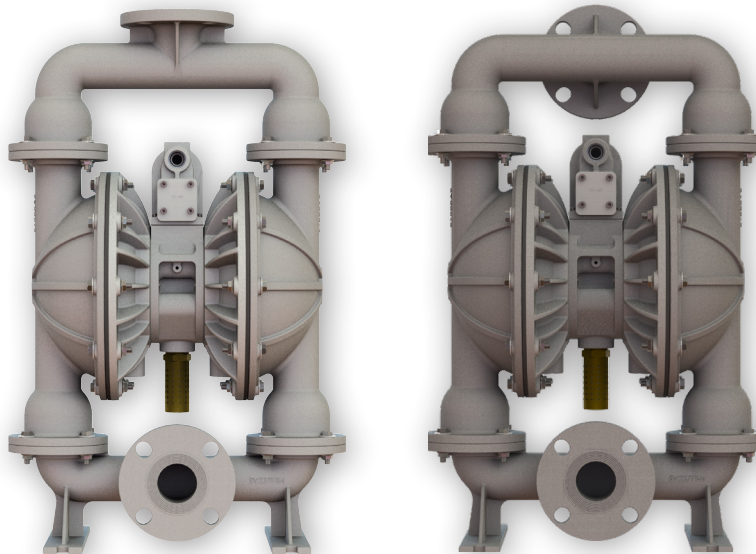
. . . . . 1/4" (6 mm)

Max Noise Level . . . . . 94 dB(A)

#### Shipping Weights

Stainless . . . . . 114 lbs (51.7 kg)

Cast Iron . . . . . 113 lbs (51.2 kg)



# VERSAMATIC®

Warren Rupp, Inc. | A Unit of IDEX Corporation  
 800 North Main Street | Mansfield, OH 44902 USA  
 Phone: 419.526.7296 | Fax: 419.526.7289

[VERSAMATIC.COM](http://VERSAMATIC.COM)

e2mdlCdsATEXMB-rev0519

©Copyright 2019 Warren Rupp, Inc. All Rights Reserved.

# E2 DATA SHEET

## SPECIFICATIONS & PERFORMANCE

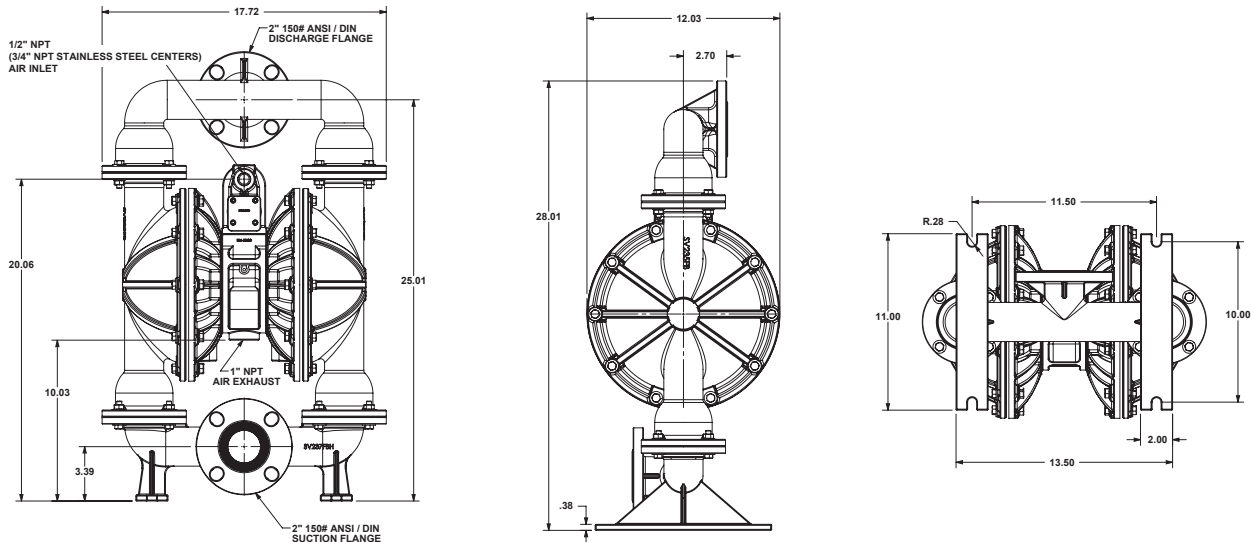
## 2" Bolted Metal – ATEX with Metal Center Section

### DIMENSIONS

#### E2 Bolted Metal - Optional Horizontal Discharge

Dimensions in inches (mm dimensions in brackets)

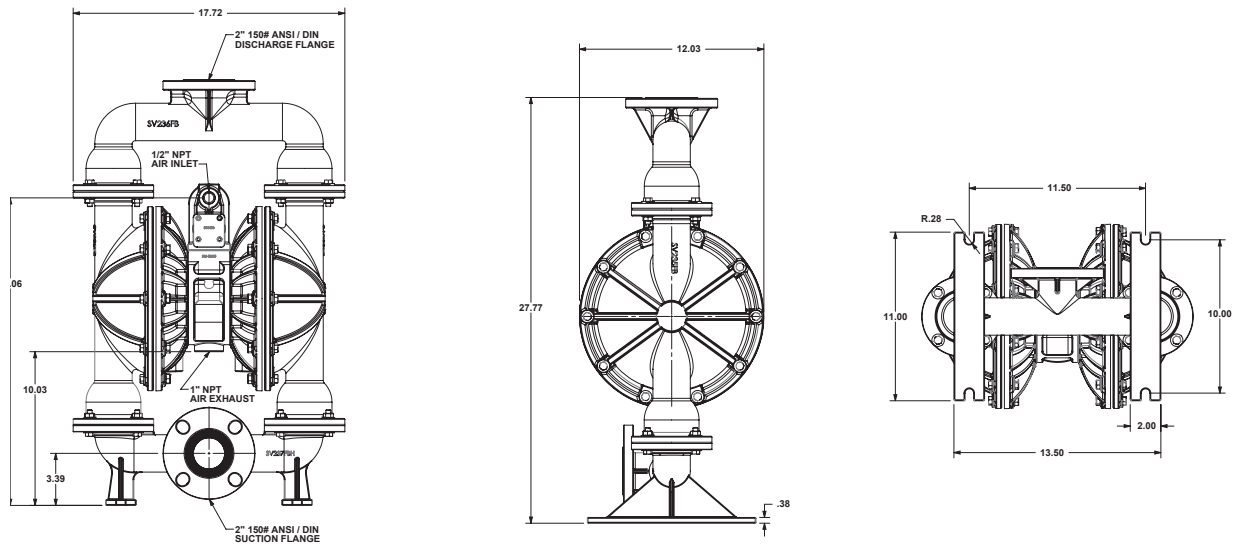
The dimensions on this drawing are for reference only. A certified drawing can be requested if physical dimensions are needed.



#### E2 Bolted Metal - Vertical Discharge

Dimensions in inches (mm dimensions in brackets)

The dimensions on this drawing are for reference only. A certified drawing can be requested if physical dimensions are needed.



**VERSAMATIC®**

Warren Rupp, Inc. | A Unit of IDEX Corporation  
800 North Main Street | Mansfield, OH 44902 USA  
Phone: 419.526.7296 | Fax: 419.526.7289

[VERSAMATIC.COM](http://VERSAMATIC.COM)

e2mdlCdsATEXMB-rev0519

©Copyright 2019 Warren Rupp, Inc. All Rights Reserved.

# E2 DATA SHEET

## SPECIFICATIONS & PERFORMANCE

## 2" Bolted Metal – ATEX with Metal Center Section

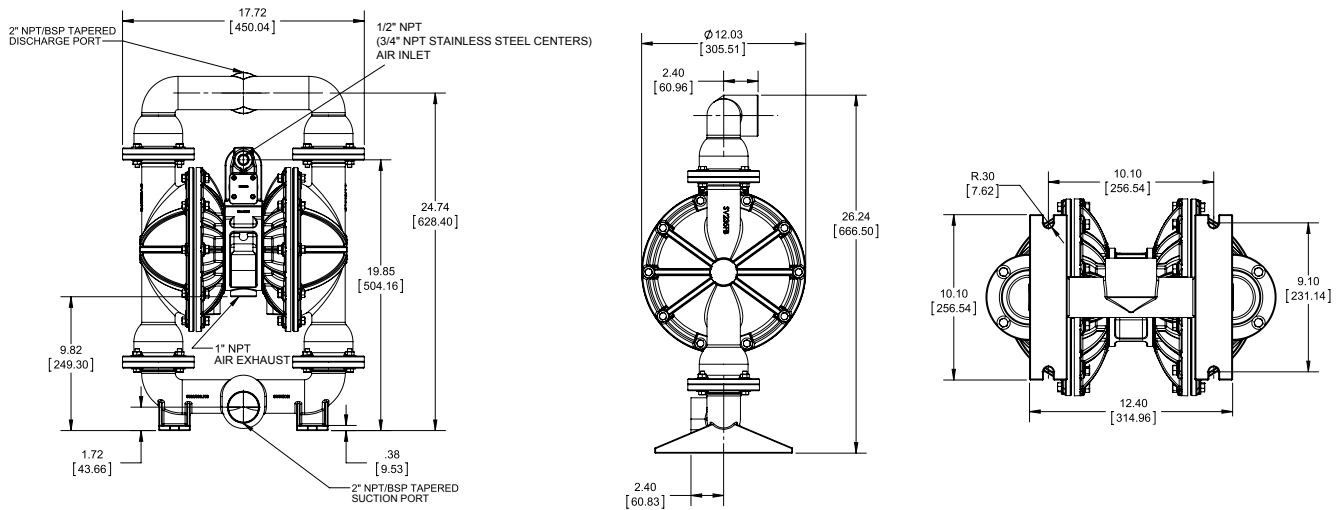
### DIMENSIONS

#### E2 Bolted Metal

#### Dimensionally Interchangeable with Versamatic Clamped Pump

Dimensions in inches (mm dimensions in brackets)

The dimensions on this drawing are for reference only. A certified drawing can be requested if physical dimensions are needed.

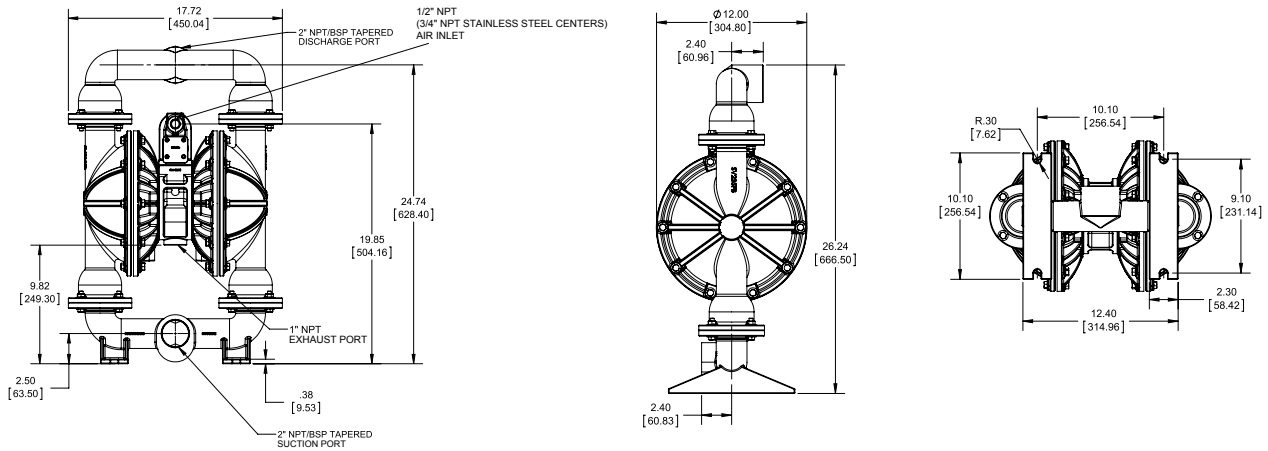


#### E2 Bolted Metal

#### Dimensionally Interchangeable with Wilden Clamped Pump

Dimensions in inches (mm dimensions in brackets)

The dimensions on this drawing are for reference only. A certified drawing can be requested if physical dimensions are needed.



# VERSAMATIC®

Warren Rupp, Inc. | A Unit of IDEX Corporation  
800 North Main Street | Mansfield, OH 44902 USA  
Phone: 419.526.7296 | Fax: 419.526.7289

[VERSAMATIC.COM](http://VERSAMATIC.COM)

e2mdlCdsATEXMB-rev0519

©Copyright 2019 Warren Rupp, Inc. All Rights Reserved.