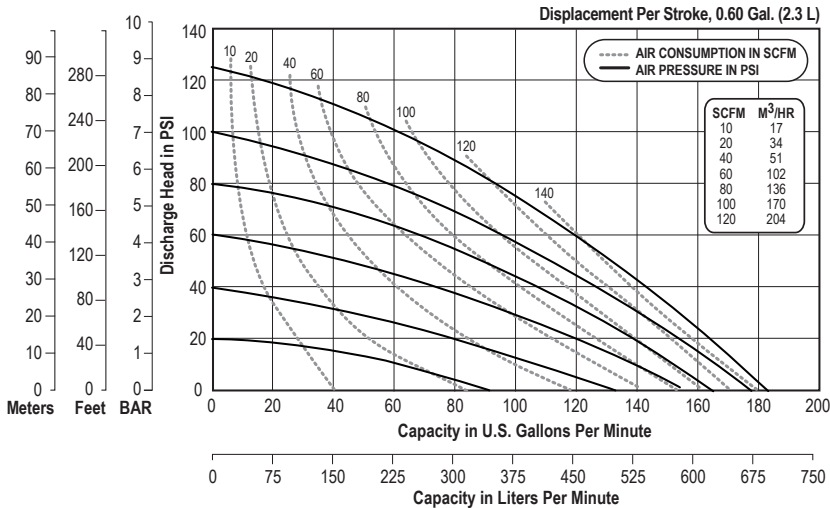


E2 DATA SHEET

SPECIFICATIONS & PERFORMANCE

2" Metal Food Processing – ATEX with Metal Center Section

PERFORMANCE



SPECIFICATIONS

Flow Rate

Adjustable to 0-185 gpm (700 lpm)

Port Size

Suction 2½" Tri-Clamp

Discharge 2½" Tri-Clamp

Air Inlet 1/2" NPT

Air Exhaust 1" NPT

Suction Lift

Dry 17' (5.1 m)

Wet 32' (9.5 m)

Max Solid Size (Diameter)

. 1/4" (7.6 mm)

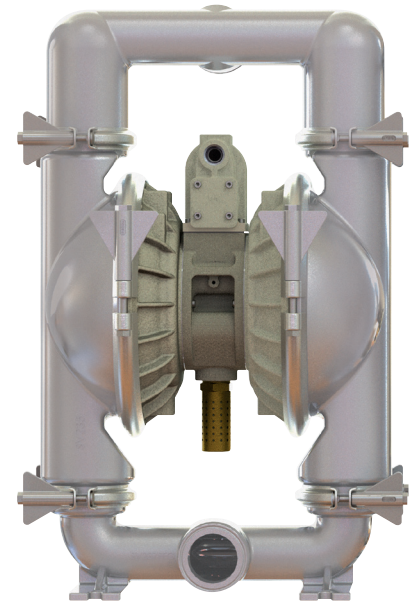
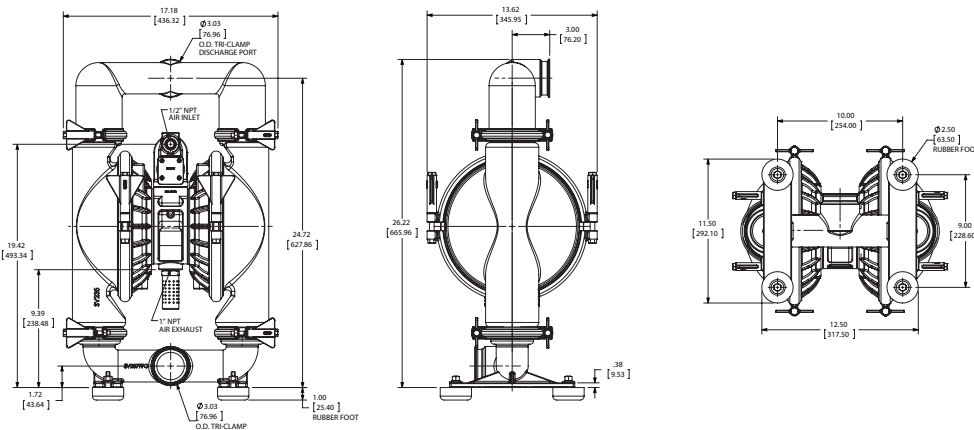
Max Noise Level 96 dB(A)

Shipping Weights

Stainless 106 lbs (48.1 kg)

NOTE: Performance based on the following: elastomeric fitted pump, flooded suction, water at ambient conditions. The use of other materials and varying hydraulic conditions may result in deviations in excess of 5%.

DIMENSIONS



VERSAMATIC®

Warren Rupp, Inc. | A Unit of IDEX Corporation
 800 North Main Street | Mansfield, OH 44902 USA
 Phone: 419.526.7296 | Fax: 419.526.7289

VERSAMATIC.COM

e2mdlCdsATEXFP-rev0519

©Copyright 2019 Warren Rupp, Inc. All Rights Reserved.