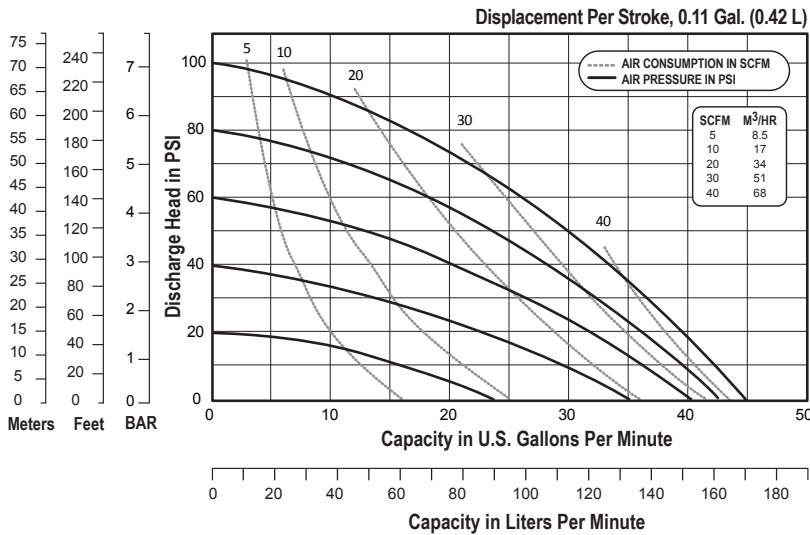


E1 DATA SHEET

SPECIFICATIONS & PERFORMANCE

1" Bolted Plastic with Metal Center Section

PERFORMANCE



NOTE: Performance based on the following: elastomeric fitted pump, flooded suction, water at ambient conditions. The use of other materials and varying hydraulic conditions may result in deviations in excess of 5%.

SPECIFICATIONS

Flow Rate

Adjustable to . . . 0-45 gpm (170 LPM)

Port Size

Suction . . . 1" 150# ANSI/DIN Flange

Discharge 1" 150# ANSI/DIN Flange

Air Inlet 3/8" NPT

Air Exhaust 1/2" NPT

Suction Lift

Dry 15' (4.5 m)

Wet 31' (9.4 m)

Max Solid Size (Diameter)

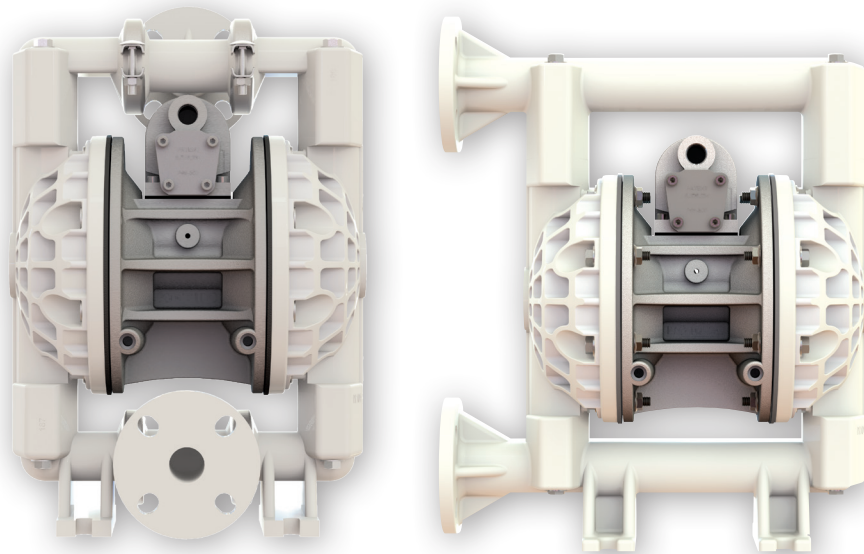
. 1/8" (3.2 mm)

Max Noise Level 94 dB(A)

Shipping Weights

Polypropylene 21 lbs (9.5 kg)

PVDF 26 lbs (11.8 kg)



VERSAMATIC®

Warren Rupp, Inc. | A Unit of IDEX Corporation
800 North Main Street | Mansfield, OH 44902 USA
Phone: 419.526.7296 | Fax: 419.526.7289

VERSAMATIC.COM

e1nmdICdsPM-rev0519

©Copyright 2019 Warren Rupp, Inc. All Rights Reserved.

E1 DATA SHEET

SPECIFICATIONS & PERFORMANCE

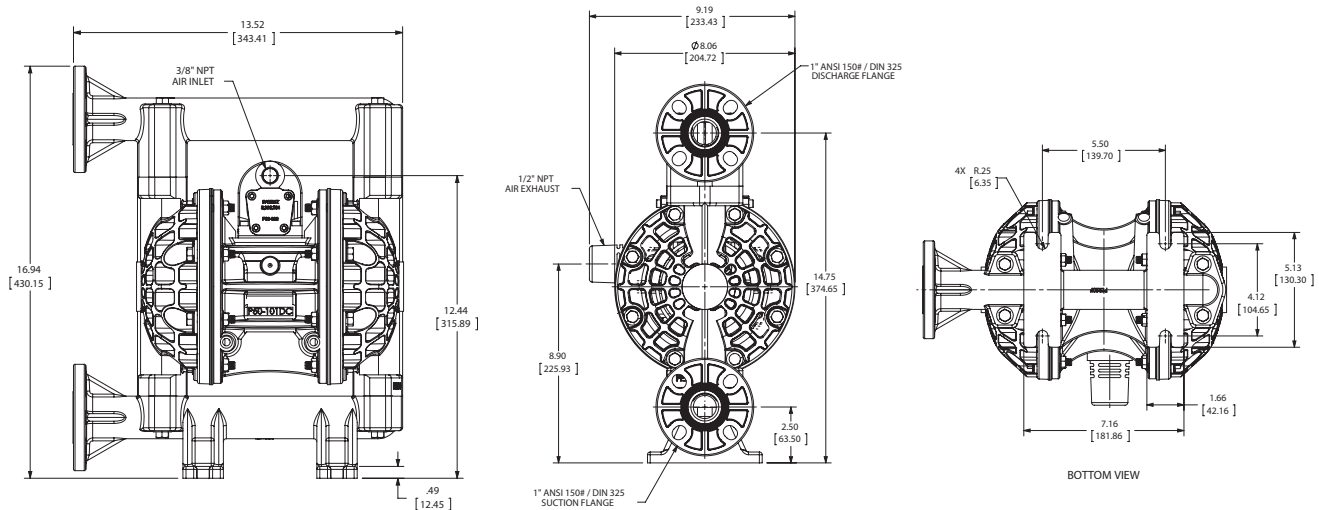
1" Bolted Plastic with Metal Center Section

DIMENSIONS

E1 Bolted Plastic

Dimensions in inches (mm dimensions in brackets)

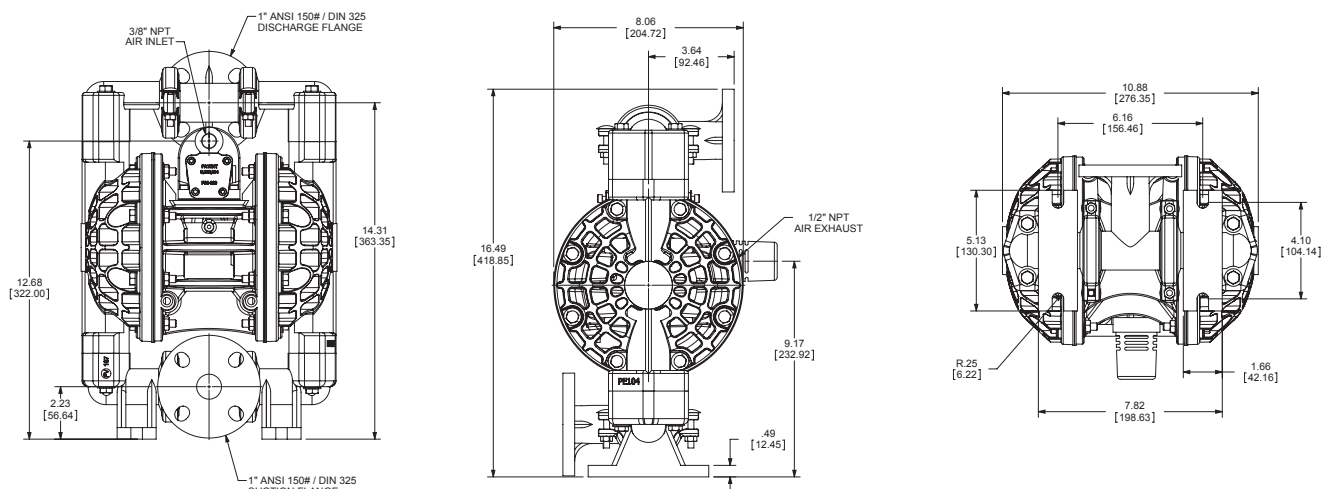
The dimensions on this drawing are for reference only. A certified drawing can be requested if physical dimensions are needed.



E1 Bolted Plastic (Optional Center Section)

Dimensions in inches (mm dimensions in brackets)

The dimensions on this drawing are for reference only. A certified drawing can be requested if physical dimensions are needed.



VERSAMATIC®

Warren Rupp, Inc. | A Unit of IDEX Corporation
800 North Main Street | Mansfield, OH 44902 USA
Phone: 419.526.7296 | Fax: 419.526.7289

VERSAMATIC.COM

e1nmdICdsPM-rev0519

©Copyright 2019 Warren Rupp, Inc. All Rights Reserved.