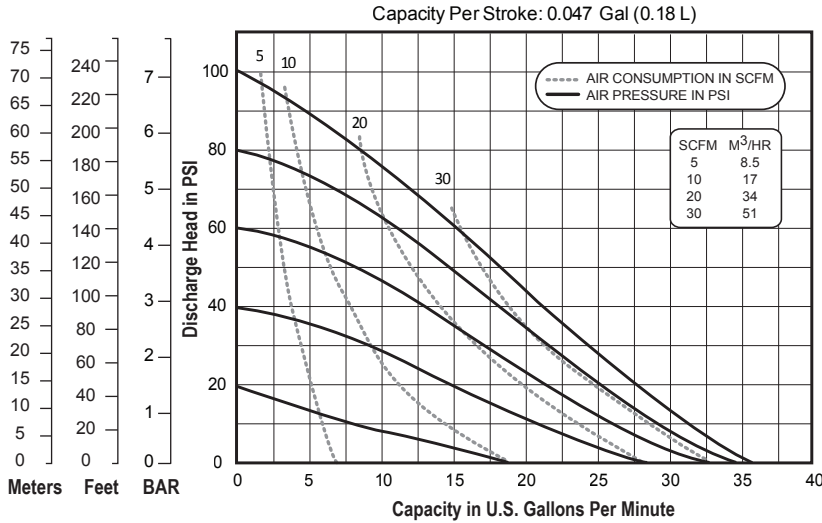


E1 DATA SHEET

SPECIFICATIONS & PERFORMANCE

1" Bolted Metal – Food Processing with Plastic Center Section

PERFORMANCE



SPECIFICATIONS

Flow Rate

Adjustable to . 0-46 gpm (174.1 lpm)

Port Size

Suction 1½" TRI-CLAMP

Discharge 1½" TRI-CLAMP

Air Inlet 3/8" NPT

Air Exhaust 1/2" NPT

Suction Lift

Dry 16' (4.9 m)

Wet 31' (9.4 m)

Max Solid Size (Diameter)

. 1/8" (3.2 mm)

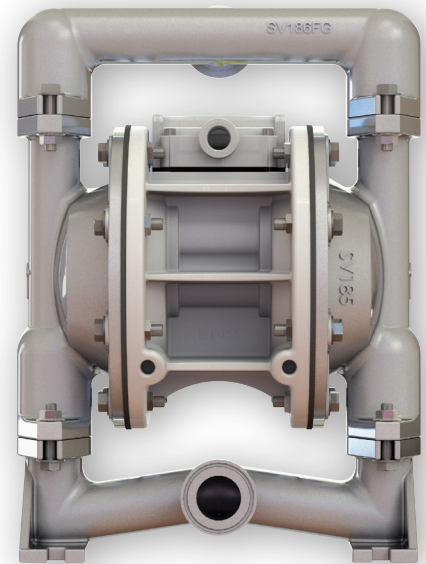
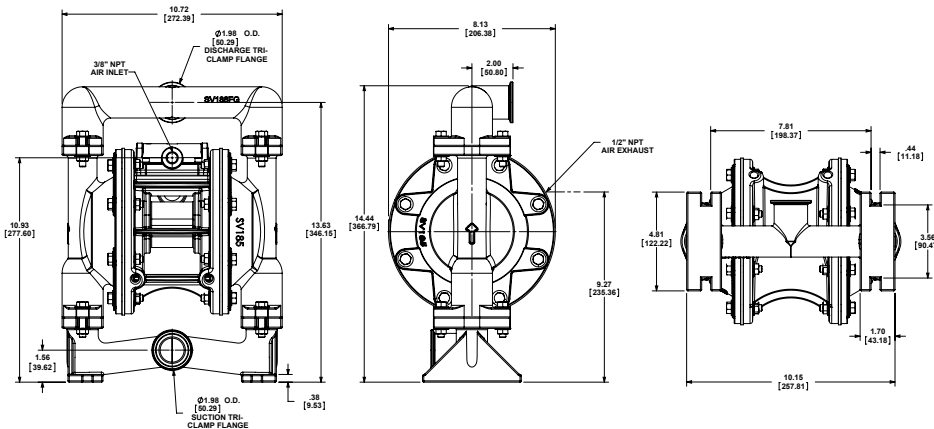
Max Noise Level 93 dB(A)

Shipping Weights

Stainless Steel 36 lbs (16.3 kg)

NOTE: Performance based on the following: elastomeric fitted pump, flooded suction, water at ambient conditions. The use of other materials and varying hydraulic conditions may result in deviations in excess of 5%.

DIMENSIONS



VERSAMATIC®

Warren Rupp, Inc. | A Unit of IDEX Corporation
800 North Main Street | Mansfield, OH 44902 USA
Phone: 419.526.7296 | Fax: 419.526.7289

VERSAMATIC.COM

e1mdlCdsFP-rev0519

©Copyright 2019 Warren Rupp, Inc. All Rights Reserved.