

GENUINE PARTS KITS



**VERSA-MATIC®**

**GP**

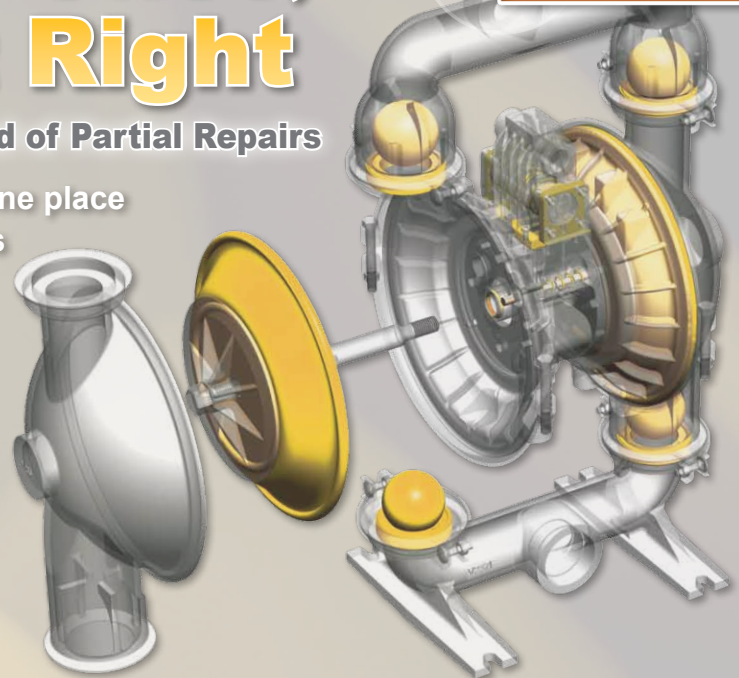
GENUINE PARTS

# Repair it Once, Repair it Right

**NEW**  
KIT PACKAGING

Use Complete Kits Instead of Partial Repairs



- Everything you need in one place
- Reduce frequency of repairs
- Increase service life
- Increase uptime
- Save time and money



**SAVE**  
**\$1,320**  
**ANNUALLY**



## Complete Kit vs. Partial Repair

COST OF WET END REPAIR	 Partial Repair (1 Diaphragm)	 Complete Wet End Repair Kit
Parts:	\$60	\$125
Labor, Down-Time, Lost Product:	\$1,325	\$1,325
Total Estimated Cost per Repair:	\$1,385	\$1,450
Annual Frequency of Repair:	2	1
Estimated Annual Cost:	\$2,770	\$1,450
Estimated Annual Savings*:	\$0	\$1,320

\*Example Data: Repair = 1 hour • Pump model #: E4AA1R110C-ATEX • Neoprene wet end • Repair labor rate fully burdened at \$125/hour • Lost product assumes paint, Pricing subject to change.

To learn more about Versa-Matic Genuine Parts, visit the Parts & Service section of our website.

**WWW.VERSAMATIC.COM**



### Kit Packaging

- Descriptive bill of materials label
- Customer friendly kit descriptions
- Easier to store



### Service & Repair Videos

- Step by step demonstration
- Wet-End and Dry-End repair instruction



### Versa-Matic Mobile App

- Find parts and kits for your pump
- Watch training videos
- Get information about your pump



### Tag & Release

- Free program
- Identify wet and air end kits for pumps installed in the field



**VERSA-MATIC®**  
Warren Rupp, Inc.  
A Unit of IDEX Corporation  
800 North Main Street  
Mansfield, OH 44902 USA  
Phone: 419.526.7296  
Fax: 419.526.7289  
[www.versamatic.com](http://www.versamatic.com)

PARTS & SERVICE



**Contact Your Distributor Today**

Distributed By: