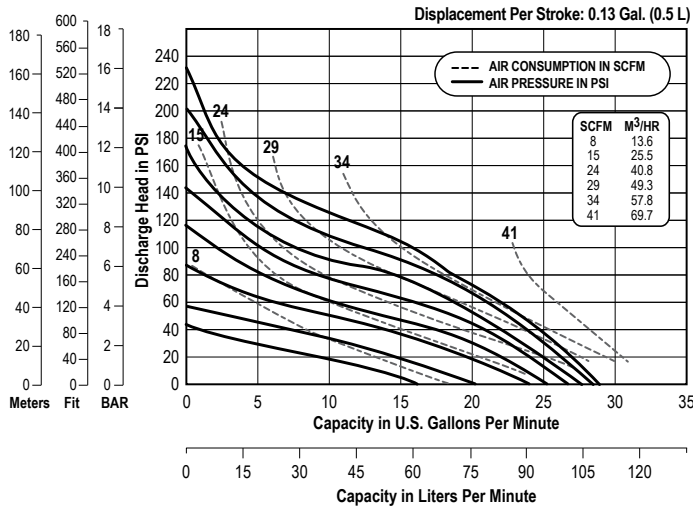


N25 DATA SHEET

SPECIFICATIONS & PERFORMANCE

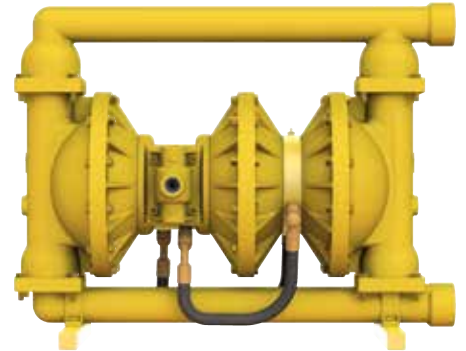
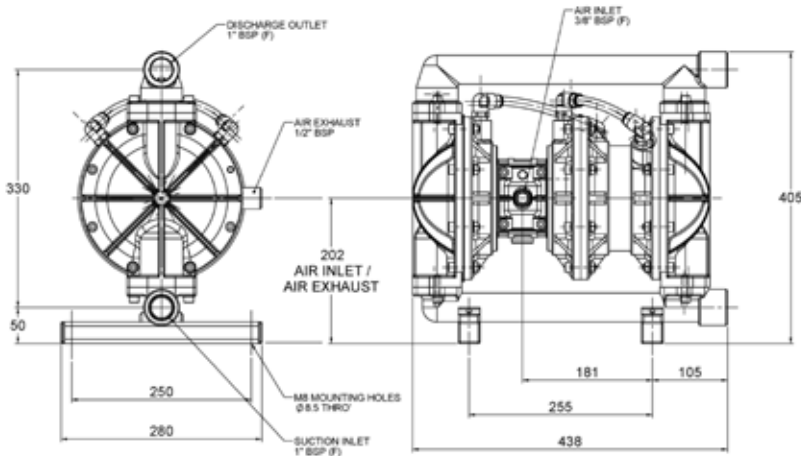
N25 1" Full Flow High Pressure Pumps

PERFORMANCE



NOTE: Performance based on the following: elastomeric fitted pump, flooded suction, water at ambient conditions. The use of other materials and varying hydraulic conditions may result in deviations in excess of 5%.

DIMENSIONS



SPECIFICATIONS

Flow Rate

Adjustable to 0-33 gpm (125 lpm)

Port Size

Suction 1.0"

Discharge 1.0"

Air Inlet

. 0.5" NPT

Air Exhaust

. 0.375" NPT

Suction Lift

Dry 20' (6.09 m)

Wet 25' (7.62 m)

Max Solid Size (Diameter)

. 1/8" (3 mm)

Shipping Weights

Aluminum 56 lbs (25kg)

Stainless Steel 76 lbs (34 kg)



VERSAMATIC®

Warren Rupp, Inc. | A Unit of IDEX Corporation
 800 North Main Street | Mansfield, OH 44902 USA
 Phone: 419.526.7296 | Fax: 419.526.7289

VERSAMATIC.COM

n25-rev0519

©Copyright 2019 Warren Rupp, Inc. All Rights Reserved.