



**REPAIR IT ONCE,  
REPAIR IT RIGHT**

## Versa-Matic Kits – Complete Pump Repair Solutions

Versa-Matic® Genuine Parts are engineered to the highest standards for superior performance. For pump repairs, save time and money by purchasing Versa-Matic kits. Our kits conveniently provide all parts needed in one place for a complete packaged repair solution for both the wet and air side of your pump.

**Wet End Kits:** All your wet end wear components packaged for simplicity and convenience, available when you need them.

- Diaphragms
- Balls
- Seats

**Air End Kits:** Provide full service repairs on Versa-Matic air components.

- Seats
- O-Rings
- Gaskets
- Air Valve Sleeve and Spool
- Pilot Valve Assembly



TAG & RELEASE



Model #: E40A

Wet End Kit: 476

Air End Kit: 478

See Reverse Side for Distributor Info

## Pump Tags Easily Identify Proper Repair Kits

All new pumps are shipped with convenient Genuine Parts tags to clearly identify proper repair kits. Have a pump without a tag? Visit [tags.versamatic.com](https://tags.versamatic.com) to order **FREE** tags.

# VERSA-MATIC® GENUINE PARTS SERVICE KITS RESOURCES



## Service Videos

We make it easy for you to repair your pump with advice from our experienced and certified support team. Watch our detailed service videos and learn how to properly maintain your Versa-Matic pump.

[VERSAMATIC.COM/VIDEOS](http://VERSAMATIC.COM/VIDEOS)

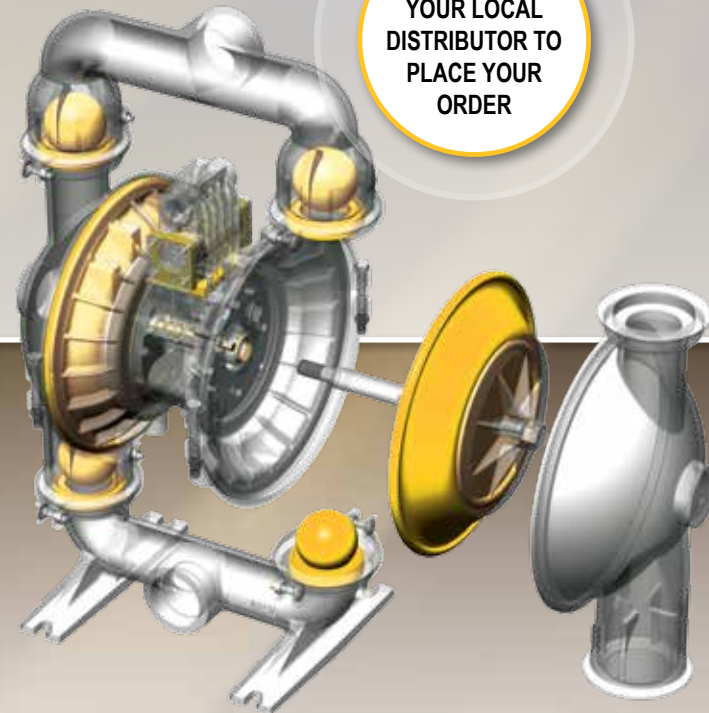


## Versa-Matic Mobile App

- Find the Correct Parts and Kits
- Watch Training Videos
- Get Information About Your Pump

[VERSAMATIC.COM/MOBILEAPPS](http://VERSAMATIC.COM/MOBILEAPPS)

CONTACT  
YOUR LOCAL  
DISTRIBUTOR TO  
PLACE YOUR  
ORDER



**VERSA-MATIC®**

Warren Rupp, Inc.  
A Unit of IDEX Corporation  
800 North Main Street  
Mansfield, OH 44902 USA

Phone: 419.526.7296

Fax: 419.526.7289

[versamatic.com](http://versamatic.com)

