

SHARKSKIN Ultra SA®

The Ultimate Roof Underlayment

SHARKSKIN ULTRA SA® 5SQ. ROLL Instructions and Information

SHARKSKIN ULTRA SA® - ALL WEATHER BARRIER™
Use: Under tile, metal, slate and asphalt shingle roof systems.



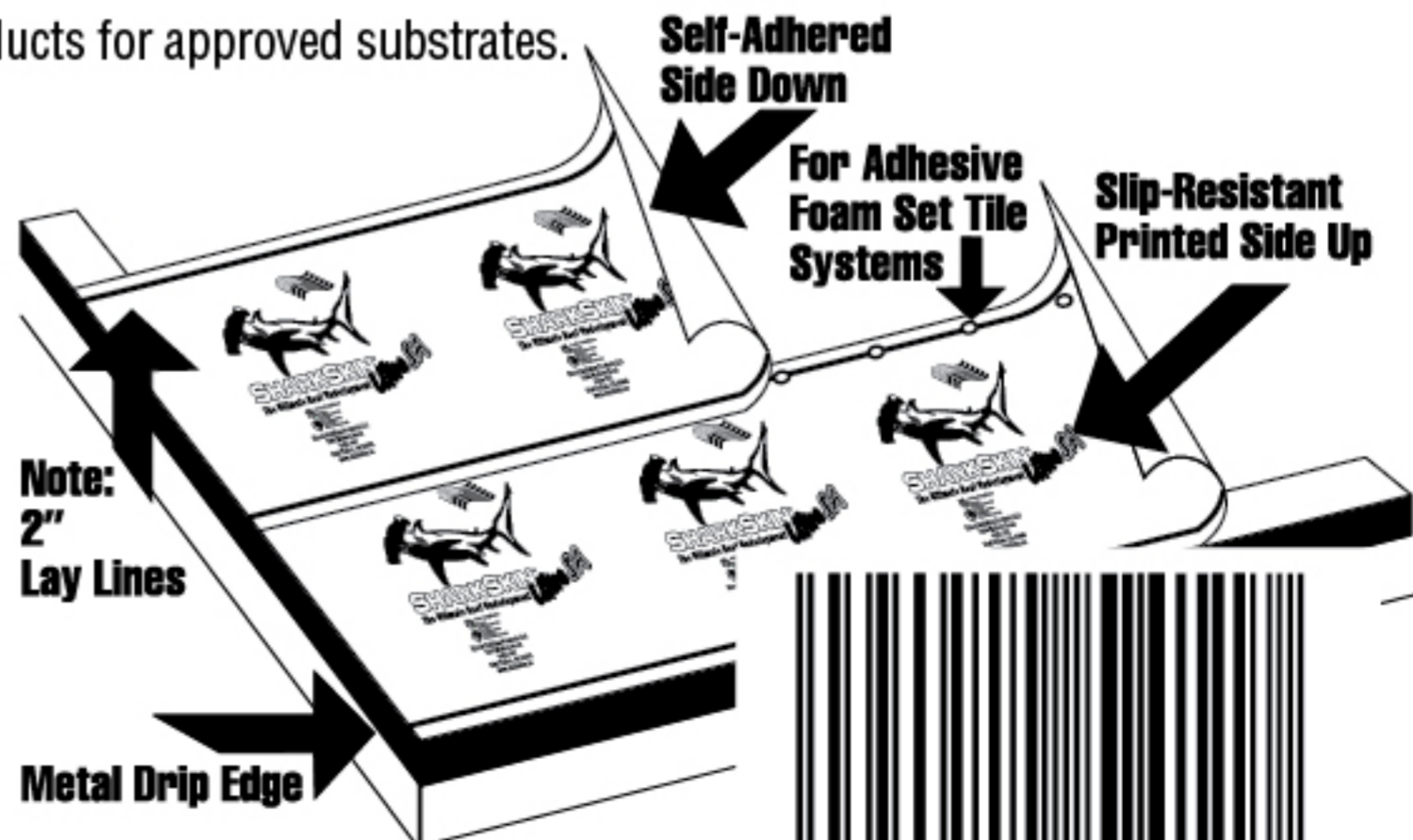
Roll size: 48"x 125' approx. Roll weight: 65 lbs. approx.

Coverage: approx. 470 sq. ft. per roll or less depending upon overlap and roof design.

Installation: SHARKSKIN ULTRA SA® roofing underlayment should generally be installed above ventilated attic spaces. SHARKSKIN ULTRA SA® is considered a vapor barrier, check with local building codes. **Preparation:** The deck surface must be dry and free of dust, dirt, loose nails, debris and other protrusions. **Damaged sheathing must be replaced.** SHARKSKIN ULTRA SA® is installed by positioning the underlayment, then pulling away the split-release liner film backing and applying the underlayment directly to the roof deck horizontally parallel to the eave of the roof with the printed side up. **Use Caution when working with the adhesive side of the underlayment so as to not let it stick to itself or other surfaces prior to installation.** Overlaps run with the flow of water in a shingling manner. Overlap: a minimum 2-inch (4-inch is recommended) for horizontal laps and a minimum 6-inch for vertical laps. Use straight blade utility knife or scissors to cut. **For adhesive foam set tile systems:** SHARKSKIN ULTRA SA® is additionally nailed to the roof deck with 1-inch diameter corrosion resistant metal round caps nails, a minimum of 1" below and 12" O.C. along the top horizontal edge of the underlayment. Broom in the entire surface of the underlayment and use a heavy roller on all seams/laps to maintain a secure bond. Roof pitches 6:12 & above, must install batten systems. SHARKSKIN ULTRA SA® has a maximum 12 month exposure rating.

Go to www.sharkskin.us or contact Kirsch Building Products for approved substrates.

BE CAREFUL TO OBSERVE SAFE ROOFING CODES & PRACTICES (OSHA). USE CAUTION WHEN WALKING OR STANDING ON SHARKSKIN ULTRA SA®. COEFFICIENT OF FRICTION MAY CHANGE WITH WET, DUSTY OR ICY CONDITIONS. FAILURE TO USE PROPER SAFETY GEAR AND FOOTWEAR CAN RESULT IN SERIOUS INJURY.



Florida Building Code



ESR-1708
ICC-ES AC188
ICC-ES AC48
EXCEEDS ASTM D226

U.S. Patent #8,765,251

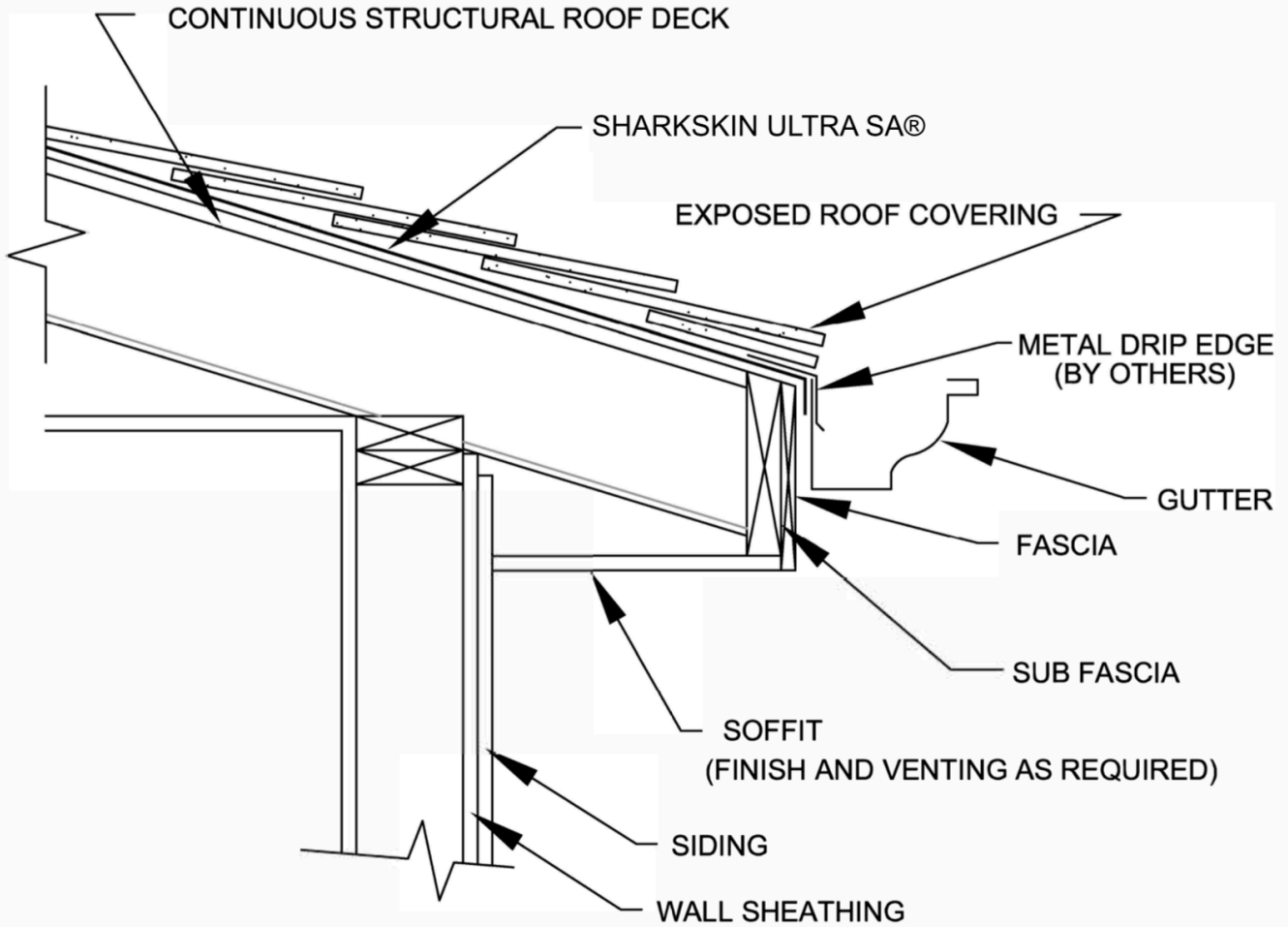
U.S. Patent #6,308,482

Kirsch Building Products LLC
1464 Madera Road, #N Suite 387
Simi Valley, CA 93065
www.sharkskinroof.com
1-877-742-7507

MIAMI-DADE COUNTY
APPROVED

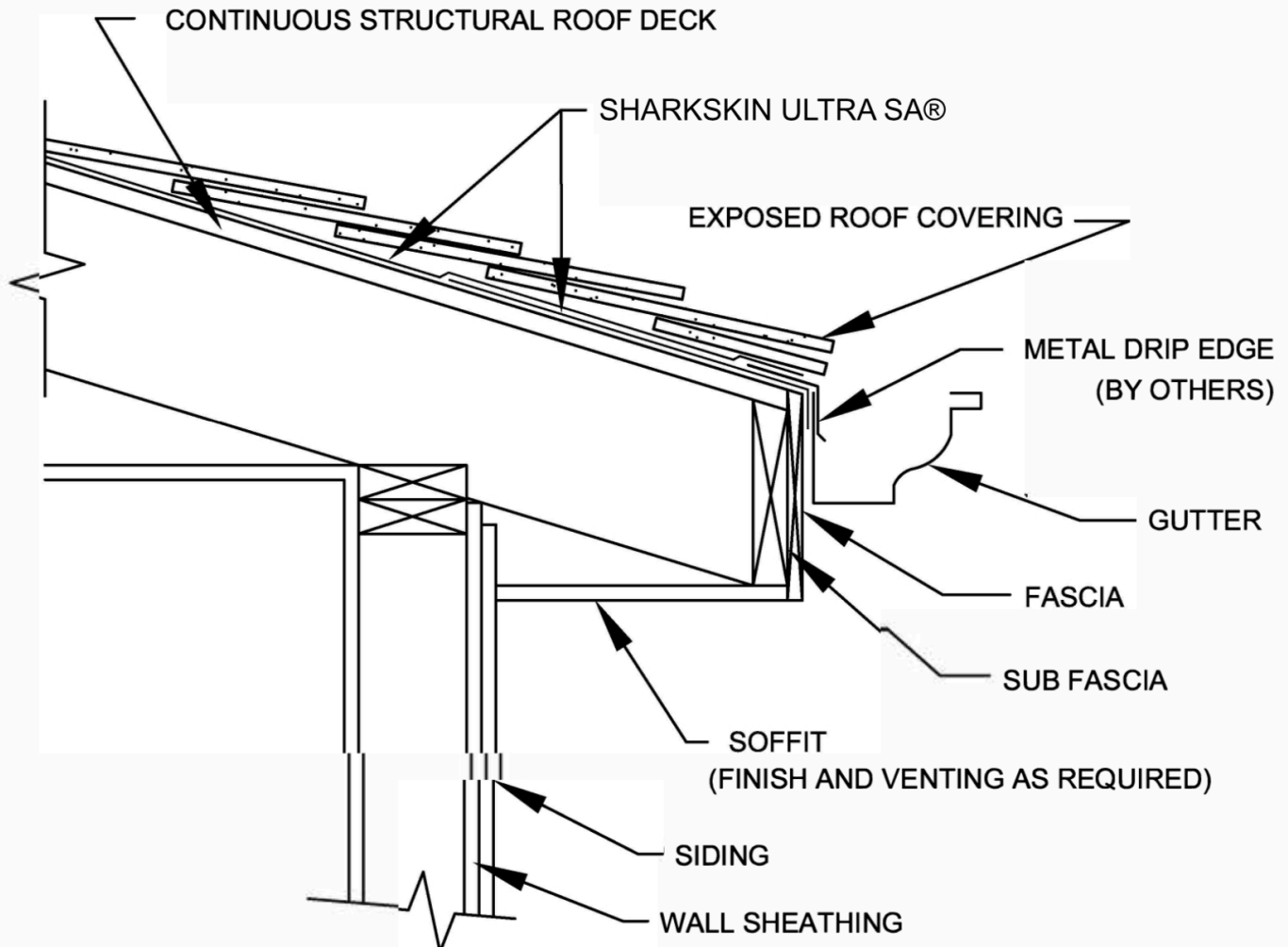
TEXAS DEPARTMENT OF INSURANCE





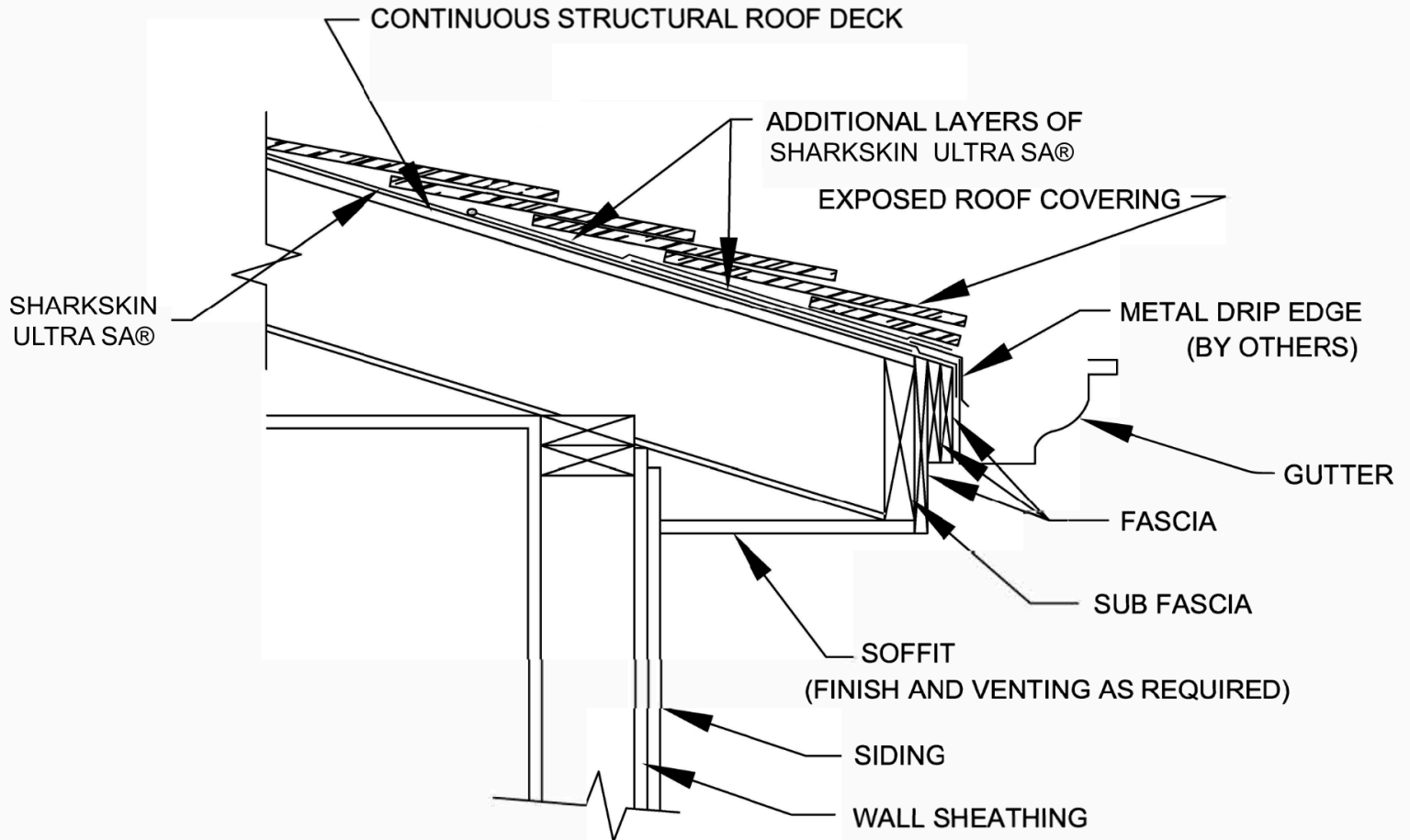
NOTES:

- A. VISIT WWW.SHARKSINROOF.COM TO REVIEW THE COMPLETE LINE OF ROOF UNDERLAYMENTS, APPLICATIONS AND INSTALLATION INSTRUCTIONS
- B. IN THIS EAVE DETAIL THE DRIP EDGE IS INSTALLED OVER THE SHARKSIN ULTRA SA ROOF UNDERLAYMENT



NOTES:

- A. VISIT WWW.SHARKSKINROOF.COM TO REVIEW THE COMPLETE LINE OF ROOF UNDERLAYMENTS, APPLICATIONS AND INSTALLATION INSTRUCTIONS
- B. IN THIS EAVE DETAIL THE DRIP EDGE IS INSTALLED OVER THE SHARKSKIN ULTRA SA ROOF UNDERLAYMENT



NOTES:

- A. VISIT WWW.SHARKSKINROOF.COM TO REVIEW THE COMPLETE LINE OF ROOF UNDERLAYMENTS, APPLICATIONS AND INSTALLATION INSTRUCTIONS
- B. IN THIS EAVE DETAIL THE DRIP EDGE IS INSTALLED OVER THE FIRST LAYER OF SHARKSKIN ULTRA SA ROOF UNDERLAYMENT

KIRSCH
BUILDING PRODUCTS

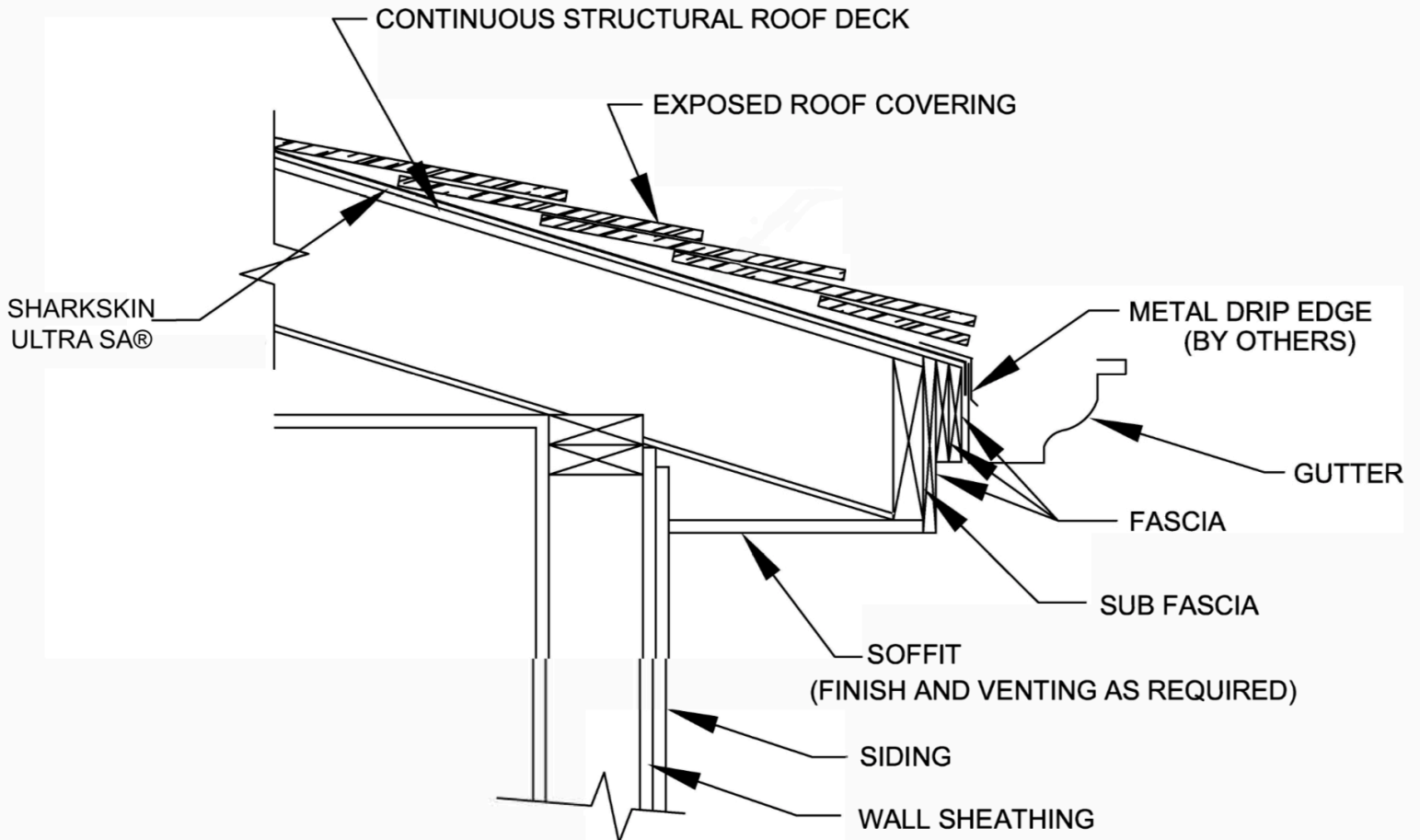
EAVE OPTION-3
EXTENDED PERIMETER
FOR EXISTING CONSTRUCTION
SHARKSKIN ULTRA SA® - ALL WEATHER BARRIER

Drawing: SSUSA - 3

Scale: Not to Scale

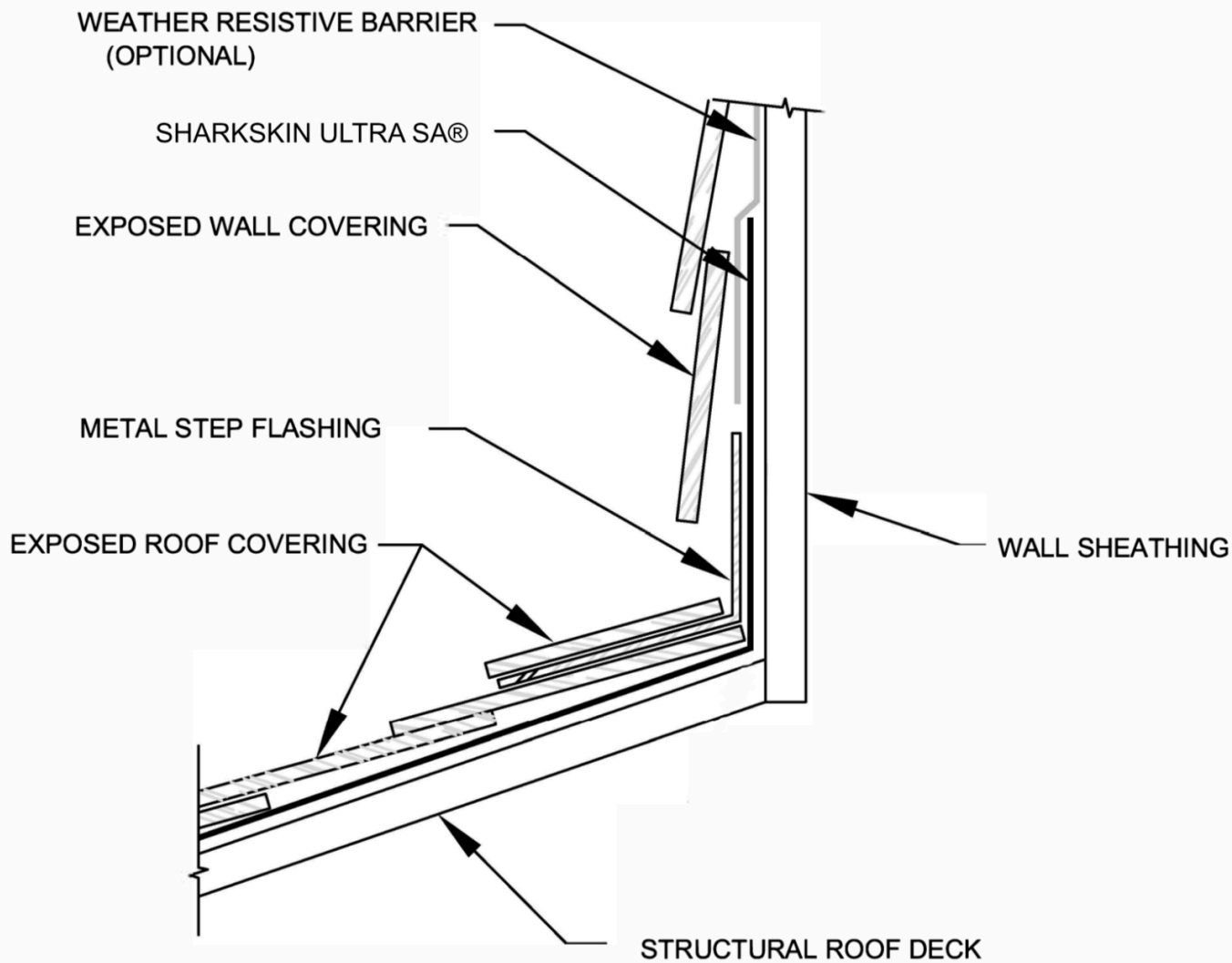
Created: 02/24/2019

Supersedes: 07/23/2014



NOTES:

- A. VISIT WWW.SHARKSKINROOF.COM TO REVIEW THE COMPLETE LINE OF ROOF UNDERLAYMENTS, APPLICATIONS AND INSTALLATION INSTRUCTIONS
- B. IN THIS EAVE DETAIL THE DRIP EDGE IS INSTALLED OVER THE FIRST LAYER OF SHARKSKIN ULTRA SA ROOF UNDERLAYMENT



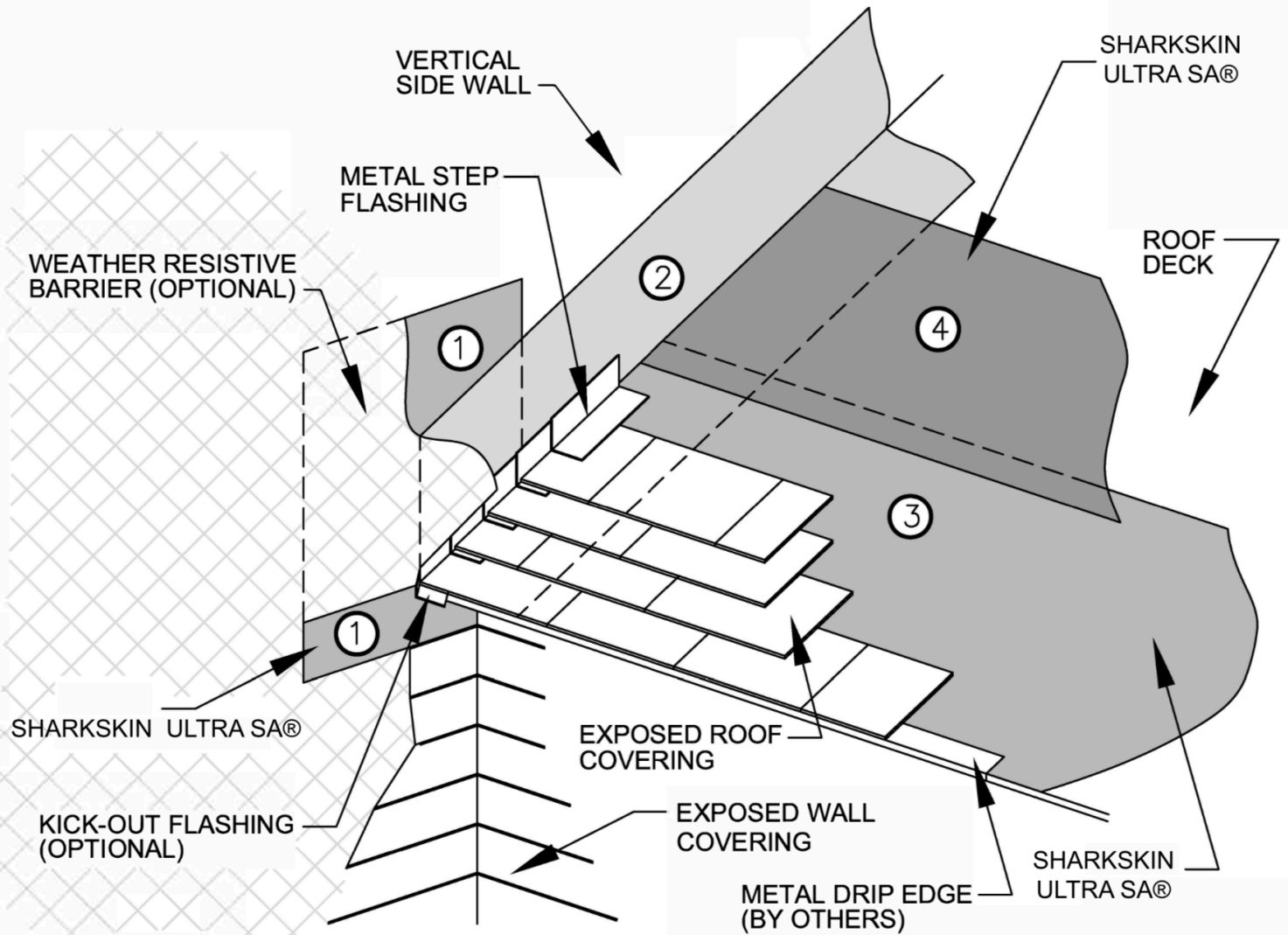
NOTES:

- A. VISIT WWW.SHARKSKINROOF.COM TO REVIEW THE COMPLETE LINE OF ROOF UNDERLAYMENTS, APPLICATIONS AND INSTALLATION INSTRUCTIONS
- B. EXTEND SHARKSKIN ULTRA SA ON THE WALL SHEATHING ABOVE THE HIGHEST EXPECTED LEVEL OF SNOW AND ICE
- C. THE METAL FLASHING IS INSTALLED OVER THE SHARKSKIN ULTRA SA
- D. INSTALL SHARKSKIN ULTRA SA TO FORM WATER SHEDDING LAPS

KIRSCH
BUILDING PRODUCTS

VERTICAL FRONT WALL
SHARKSKIN ULTRA SA® - ALL WEATHER BARRIER

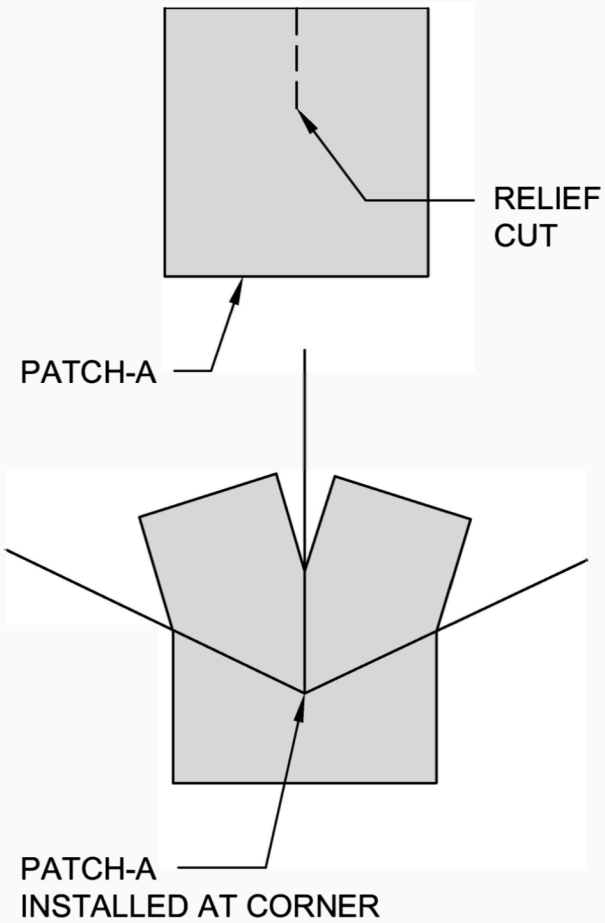
Drawing: SSUSA - 5
Scale: Not to Scale
Created: 02/24/2019
Supersedes: 07/23/2014



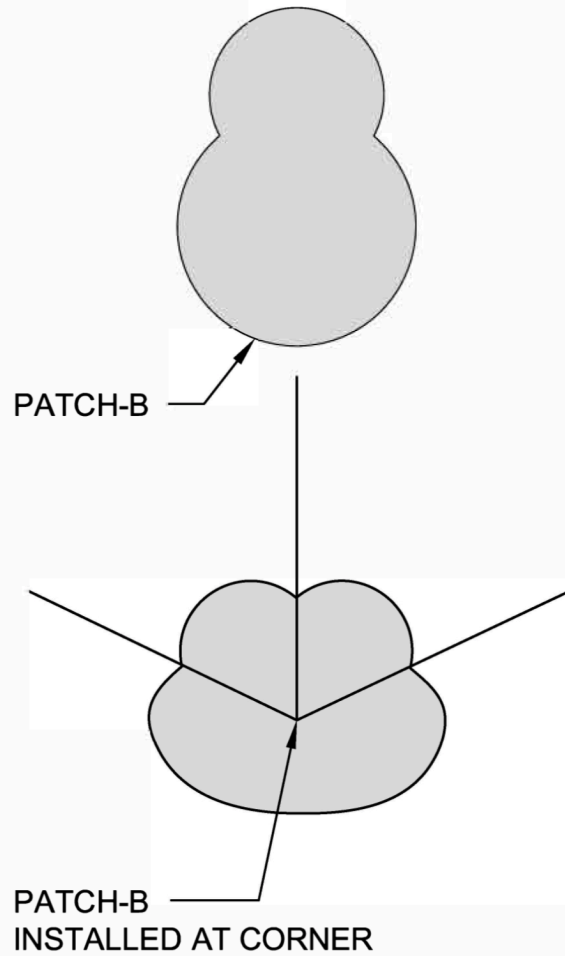
NOTES:

- A. VISIT WWW.SHARKSKINROOF.COM TO REVIEW THE COMPLETE LINE OF ROOF UNDERLAYMENTS, APPLICATIONS AND INSTALLATION INSTRUCTIONS
- B. EXTEND SHARKSKIN ULTRA SA ON THE WALL SHEATHING ABOVE THE HIGHEST EXPECTED LEVEL OF SNOW AND ICE
- C. EXTEND SHARKSKIN ULTRA SA ON THE ROOF DECK ABOVE THE HIGHEST EXPECTED LEVEL OF WATER BACK-UP
- D. EXTEND SHARKSKIN ULTRA SA BEYOND EAVE ONTO VERTICAL SIDE WALL FOR PROTECTION AGAINST RUN-OFF
- E. THE METAL FLASHING IS INSTALLED OVER THE SHARKSKIN ULTRA SA
- F. INSTALL THE SHARKSKIN ULTRA SA IN ORDER SHOWN BY NUMBERS
- G. INSTALL THE SHARKSKIN ULTRA SA TO FORM WATER SHEDDING LAPS

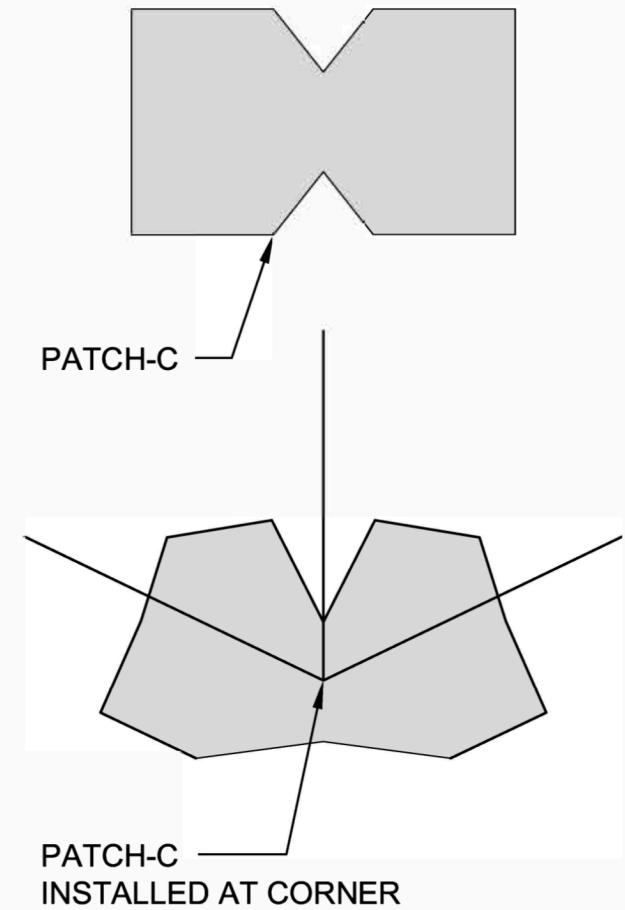
OPTION - A



OPTION - B

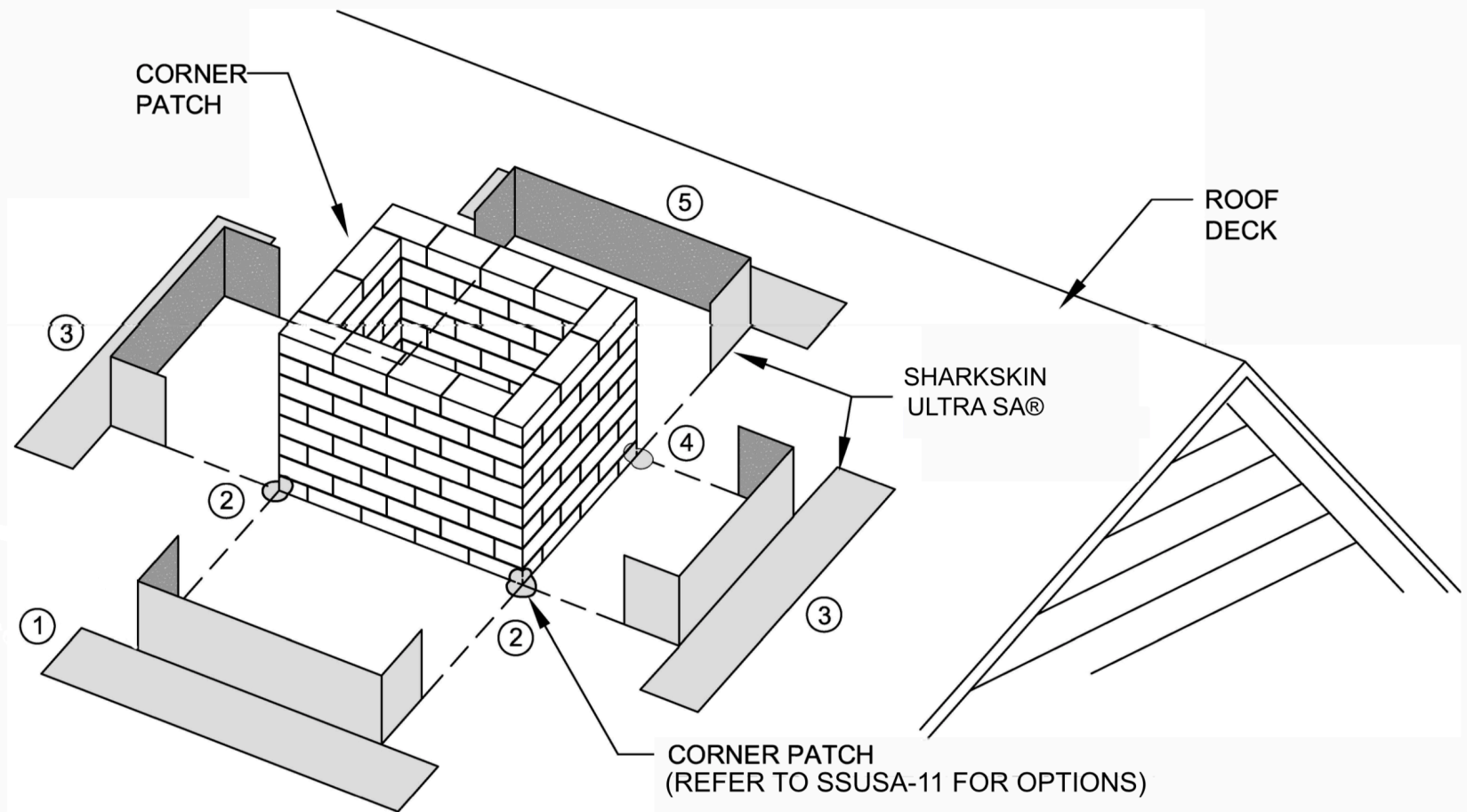


OPTION - C



NOTES:

- A. VISIT WWW.SHARKSKINROOF.COM TO REVIEW THE COMPLETE LINE OF ROOF UNDERLAYMENTS, APPLICATIONS AND INSTALLATION INSTRUCTIONS
- B. REMOVE RELEASE LINER AT TIME OF INSTALLATION OF CORNER APTCH
- C. NOMINAL PATCH SIZE IS 6" X 6"
- C. FOR SEVERE WEATHER CLIMATES, PATCH SIZE IS 12" X 12"



NOTES:

- A. VISIT WWW.SHARKSKINROOF.COM TO REVIEW THE COMPLETE LINE OF ROOF UNDERLAYMENTS, APPLICATIONS AND INSTALLATION INSTRUCTIONS
- B. CLEAN MASONRY AND WIPE DOWN WITH WET SPONGE PRIOR TO INSTALLATION OF SHARKSKIN ULTRA SA
- C. INSTALL SHARKSKIN ULTRA SA IN ORDER AS SHOWN BY NUMBERS
- D. APPLY A BEAD OF CAULKING/SEALANT ALONG THE TOP EDGE OF SHARKSKIN ULTRA SA ON CHIMNEY
- E. INSTALL SHARKSKIN ULTRA SA TO FORM WATER SHEDDING LAPS
- F. INSTALL PROPER METAL COUNTER-FLASHING PER LOCAL CODES

KIRSCH
BUILDING PRODUCTS

CHIMNEY

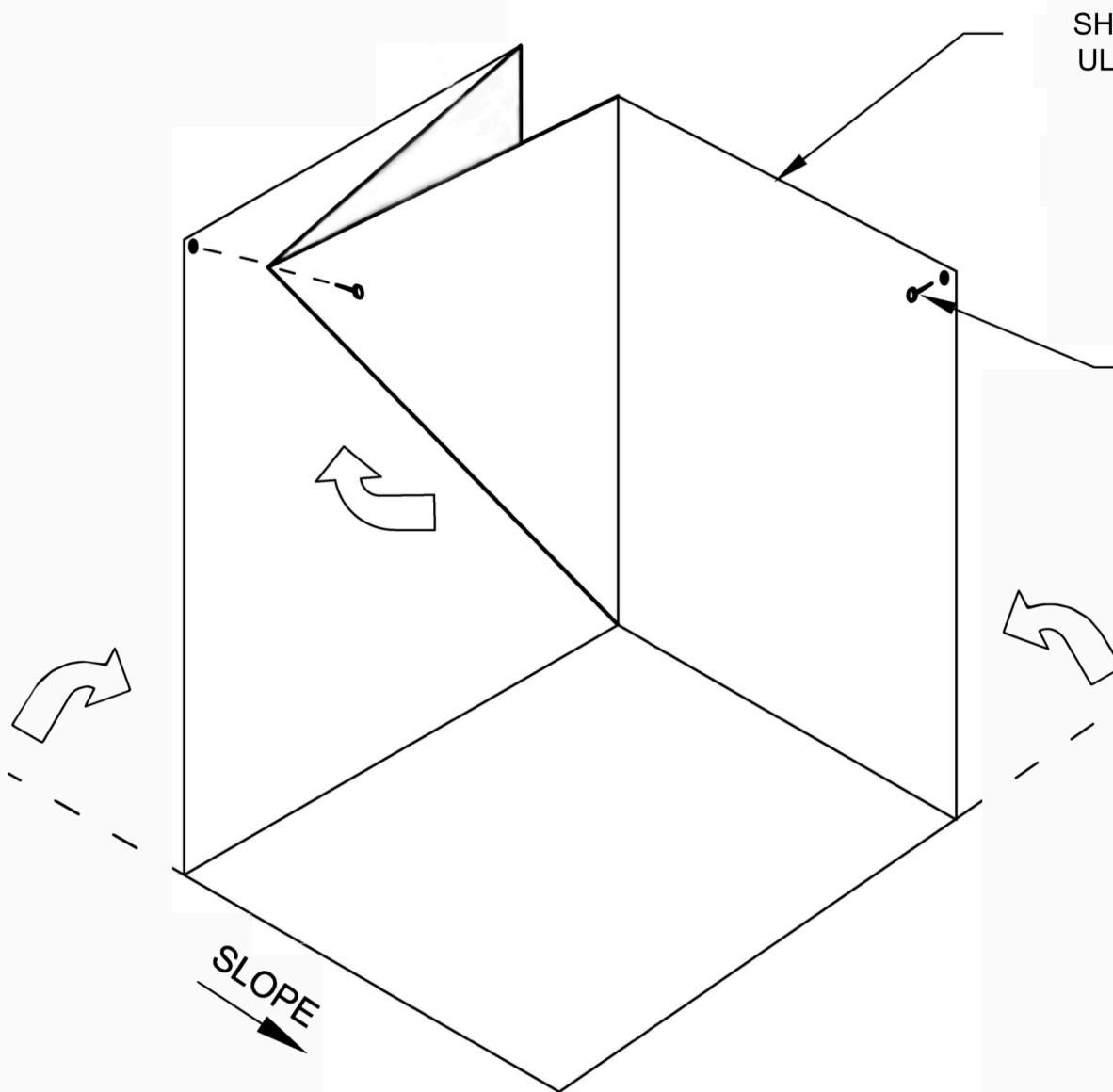
SHARKSKIN ULTRA SA® - ALL WEATHER BARRIER

Drawing: SSUSA - 8

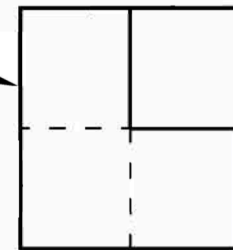
Scale: Not to Scale

Created: 02/24/2019

Supersedes: 07/23/2014



SHARKSKIN
ULTRA SA®

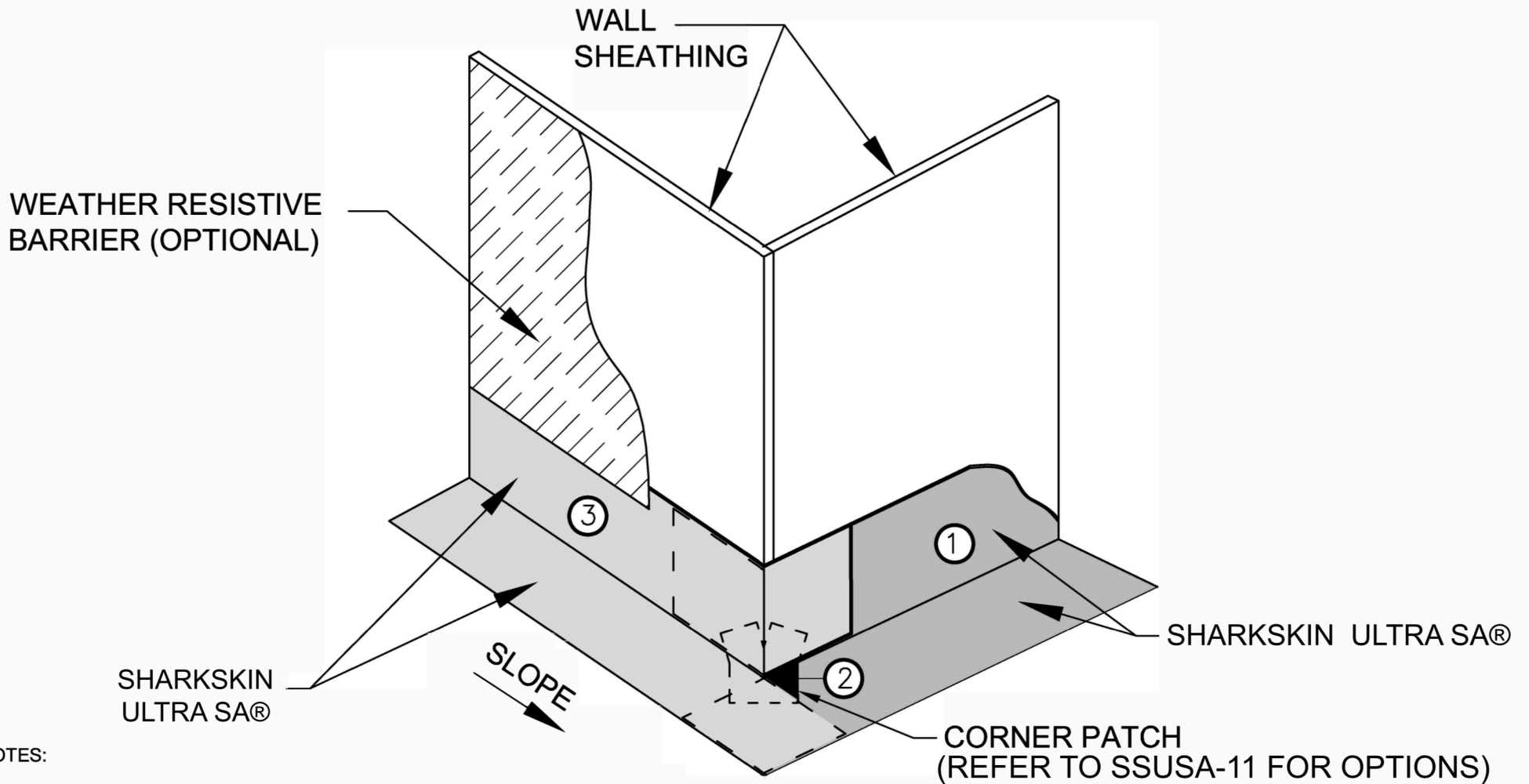


(BEFORE FOLDING, SCORE RELEASE PAPER
TO EXPOSE ADHESIVE AS SHOWN)

MECHANICALLY FASTEN AS NECESSARY IN
CORNERS THROUGH SHARKSKIN ULTRA SA®

NOTES:

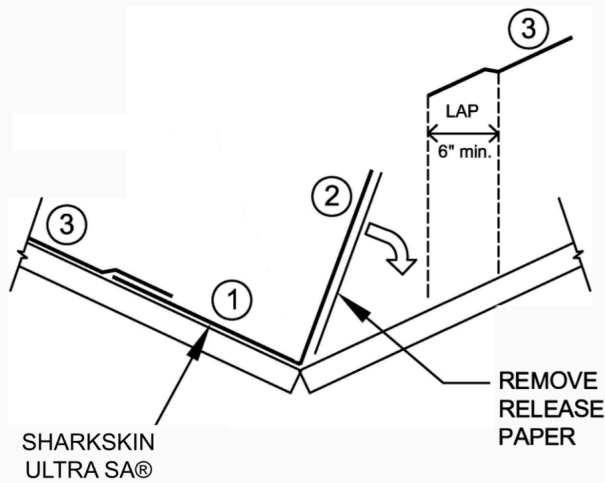
- A. VISIT WWW.SHARKSKINROOF.COM TO REVIEW THE COMPLETE LINE OF ROOF UNDERLAYMENTS, APPLICATIONS AND INSTALLATION INSTRUCTIONS
- B. USE SQUARE PIECE OF MEMBRANE (12" X 12" MINIMUM) FOR INSIDE CORNER
- C. FOLD AS SHOWN BY ARROWS
- D. ANGLE OF CORNER MAY VARY, ADJUST FOLDING OF THE MEMBRANE ACCORDINGLY TO FIT TIGHTLY TO CORNER
- E. INSTALL SHARKSKIN ULTRA SA TO FORM WATER SHEDDING LAPS
- F. INSTALL FLASHING AND ROOFING PER MANUFACTURERS RECOMMENDATION



NOTES:

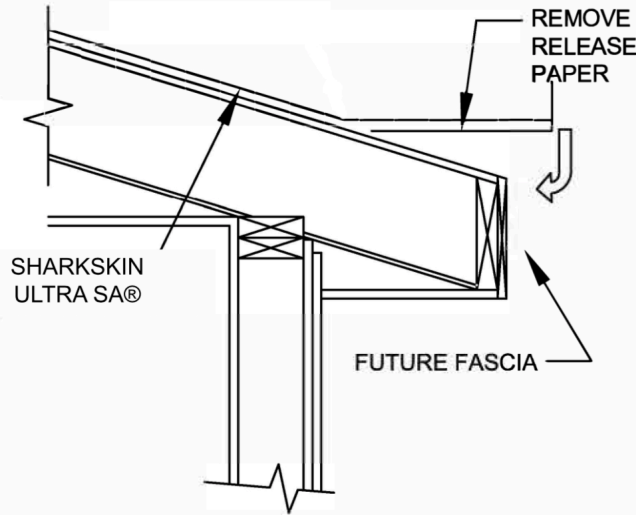
- A. VISIT WWW.SHARKSKINROOF.COM TO REVIEW THE COMPLETE LINE OF ROOF UNDERLAYMENTS, APPLICATIONS AND INSTALLATION INSTRUCTIONS
- B. INSTALL SHARKSKIN ULTRA SA IN ORDER AS SHOWN BY NUMBERS
- C. INSTALL SHARKSKIN ULTRA SA TO FORM WATER SHEDDING LAPS
- D. INSTALL FLASHING AND ROOFING PER MANUFACTURERS RECOMMENDATION

VALLEY



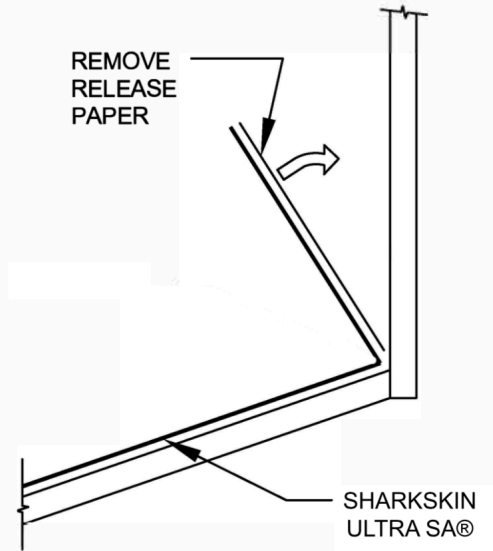
- A. INSTALL IN ORDER AS SHOWN BY NUMBERS
- B. REMOVE RELEASE LINER
- C. ALIGN & INSTALL SHARKSKIN ULTRA SA®

LEAVE SHARKSKIN ULTRA SA® UNDERLAYMENT PRIOR TO FASCIA



- A. REMOVE RELEASE LINER
- B. ALIGN SHARKSKIN ULTRA SA® ALONG EAVE
- C. REMOVE RELEASE LINER FROM UPPER HALF OF SHARKSKIN ULTRA SA® AND APPLY TO ROOF DECK
- D. REMOVE RELEASE LINER ALONG EAVE AFTER FASCIA IS INSTALLED OR FOR FUTURE TIE-IN

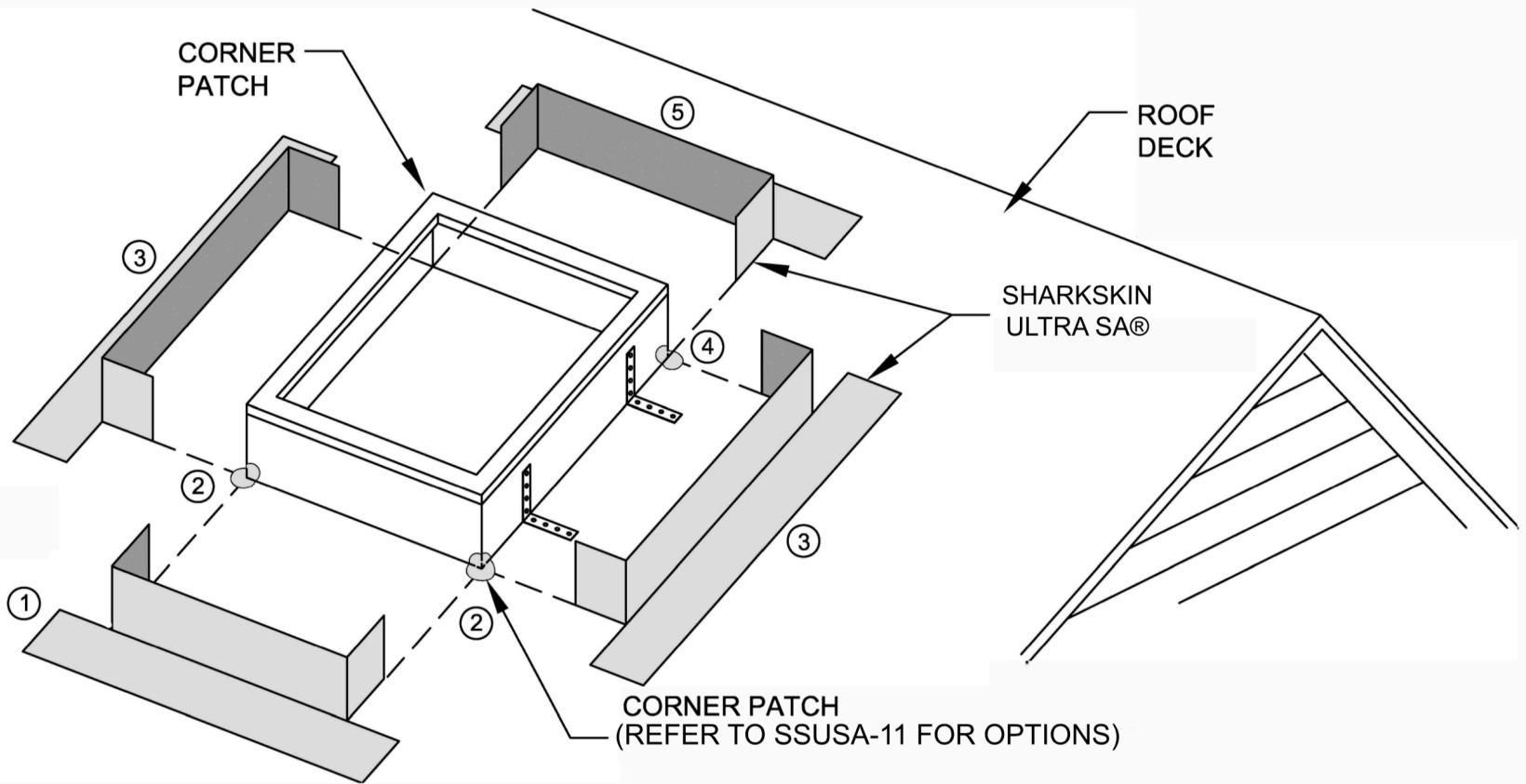
FRONT WALL TO ROOF DECK



- A. REMOVE RELEASE LINER
- B. REMOVE RELEASE LINER FROM SHARKSKIN ULTRA SA® AND APPLY TO ROOF DECK
- C. REMOVE REMAINING RELEASE LINER AND APPLY TO WALL
- D. EXTEND SHARKSKIN ULTRA SA® ON THE WALL SHEATHING ABOVE THE HIGHEST EXPECTED LEVEL OF SNOW AND ICE

NOTES:

- A. VISIT WWW.SHARKSKINROOF.COM TO REVIEW THE COMPLETE LINE OF ROOF UNDERLAYMENTS, APPLICATIONS AND INSTALLATION INSTRUCTIONS



NOTES:

- A. VISIT WWW.SHARKSKINROOF.COM TO REVIEW THE COMPLETE LINE OF ROOF UNDERLAYMENTS, APPLICATIONS AND INSTALLATION INSTRUCTIONS
- B. INSTALL SHARKSKIN ULTRA SA IN ORDER AS SHOWN BY NUMBER
- C. EXTEND SHARKSKIN ULTRA SA FROM EAVE TO BELOW SKYLIGHT AND FROM ABOVE SKYLIGHT TO RIDGE OR ROOF IN UNDER NEXT COURSE OF UNDERLAYMENT
- D. INSTALL SHARKSKIN ULTRA SA TO FORM WATER SHEDDING LAPS
- E. INSTALL SKYLIGHT, FLASHING AND ROOF COVERING AS PER MANUFACTURERS RECOMMENDATION

KIRSCH
BUILDING PRODUCTS

SKYLIGHT

SHARKSKIN ULTRA SA® - ALL WEATHER BARRIER

Drawing: SSUSA - 7

Scale: Not to Scale

Created: 02/24/2019

Supersedes: 07/23/2014