



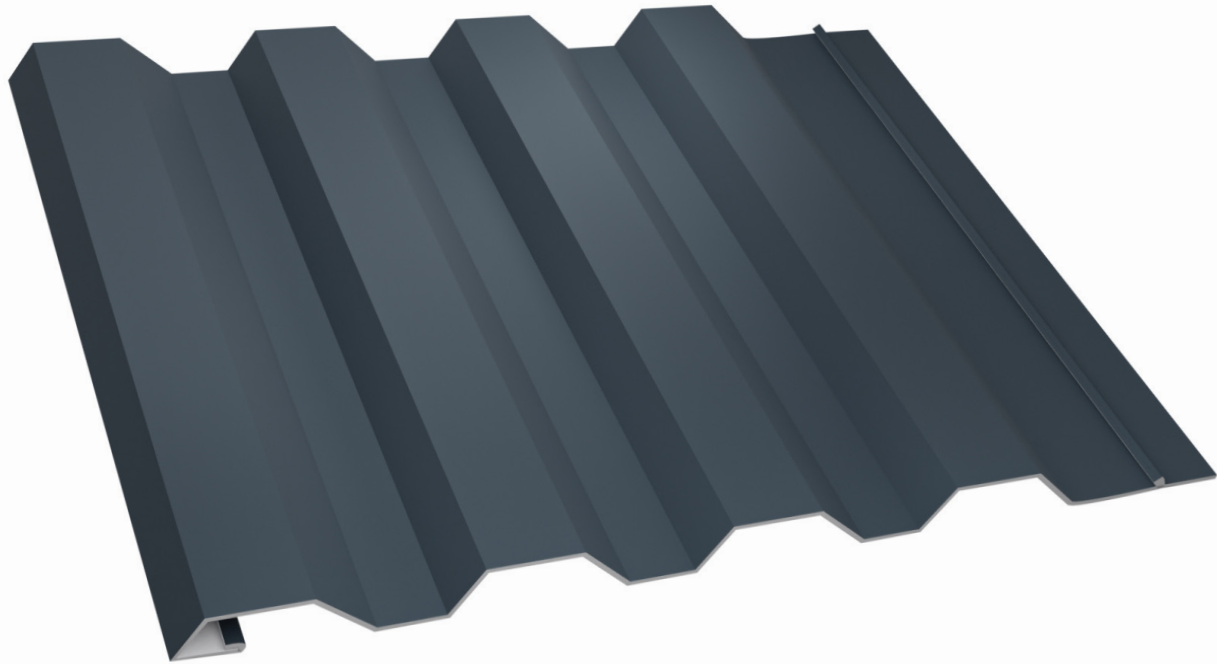
Finishes You've Never Seen Before®

WESTERN STATES METAL ROOFING

(877) 787-5467 • WESTERNSTATESMETALROOFING.COM

WESTERN WAVE® VERTICAL

INSTALLATION GUIDE WITH TRIM, FLASHINGS AND DETAILS



4208-22



Phoenix: ☎ (602) 495-0048 ✉ sales@westernstatesmetalroofing.com | Washington: ☎ (509) 418-2833 ✉ washington-wsmr@westernstatesmetalroofing.com

Tucson: ☎ (520) 574-4247 ✉ tucsonsales@westernstatesmetalroofing.com | Texas: ☎ (972) 843-4343 ✉ texas-sales@westernstatesmetalroofing.com

Western States “Western Wave®” Wall and Soffit Panels (Vertical)

Installation, Flashings & Shop Drawing Detail Guide

Section	Page
Notes to Designer /Installers.....	1
Fastener Placement and Selection.....	2-3
Western Wave Panel.....	4
Key Flashing / Trims.....	5-7
Wall End Splice Detail.....	8
Wall / Soffit End Splice Detail.....	9
Soffit End Wall Detail.....	10
Alternate Soffit Endwall Detail.....	11
Soffit to Wall Drip Detail.....	12
Horizontal Siding End Wall Detail.....	13
Vertical Siding End Wall Detail.....	14
Parapet Wall Detail.....	15
Alternate Wainscoat Transition Detail..... (Western Wave To R-Panel)	16
Base Trim Detail.....	17
Door/ Window Sill & Head Detail.....	18
Door / Window Jamb Detail.....	19
Door / Window Sill Detail.....	20
Alternate Wainscoat Transition Detail..... (Western Wave To 7/8” Corrugated Panel)	21
Alternate Wainscoat Transition Detail..... (Western Wave To PBR Panel)	22

Table of Contents

Section	Page
Wainscoat Transition Detail..... (Western Wave To 7/8” Corrugated Panel)	23
Wainscoat Transition Detail..... (Western Wave To Rustwall)	24
Soffit to Wall Vertical Detail	25
Parapet Wall Vertical Detail.....	26
Wainscoat Transition Detail	27
(Western Wave To Western Rib)	
Alternate Base Vertical Detail.....	28
Window/ Door Head Vertical Detail.....	29
Wainscoat Transition Detail.....	30
Western Wave To Rustwall	
Wainscoat Transition Detail.....	31
Western Wave To Western Rib)	
Wainscoat Transition Detail.....	32
(Western Wave To T-Groove)	
Outside Corner Vertical Detail.....	33
Inside Corner Vertical Detail.....	34
Notes.....	35
Custom Trim.....	36
Design Considerations.....	37

Western States “Western Wave ®” Panel

Installation, Flashings & Shop Drawing Detail Guide

Notes to Designer and Installers

The details contained in this guide are proven industry details and are intended to be used as a design aid and installation guide. It does not depict all situations that may be encountered on all projects. Modifications are the responsibility of the designer/ owner/ installer. Consideration should be given for Fit for Purpose, Building use, Climate conditions such as temperature, snow, wind, and moisture, Governing Building Codes, and Maintenance. It is highly recommended that all trims and flashings be of the same material as the panels (metal, gauge, finish) to ensure long term performance and durability. Where possible, flashing edges should be hemmed to strengthen the edge and protect the cut edge from exposure.

Framing and Substrates

“Western Wave ®” panels are used over all type of substrates like Steel Framing, girts, spaced sheathing, and wood surface such as plywood. Most details in this guide are shown with panels attached to Solid Wood Decking.

Note on Underlayment

Not all conditions require an underlayment, However metal siding is susceptible to Condensation and it is recommended that an appropriate underlayment be use on all wood substrates to protect the structure during installation. For added protection from rain and snow, it is recommended to use rubberized Ice and water shield.

Technical Assistance

Contact your WSDI sales or technical representative for any additional information or assistance.

Oil Canning

Oil canning is a condition common with flat metal surfaces. This waviness is caused by steel mill tolerances, forming, variations in the structures surfaces, and hardness of the steel. Measures are taken at the roll forming process, like profile design, steel gauge, corrective leveling, to minimize the effects of oil canning. Oil Canning is a Characteristic of steel and can not be eliminated totally and therefore is not reason for rejection of the panels.

Job Site Storage

While waiting to be installed on the job site, Storage of panels, trim crates, and flat sheet should be sloped in order to allow for proper moisture run off. One end should be elevated so as not to allow ponding of water on the metal surface. When using tarps for protection, proper ventilation should be provided to prevent condensation. Moisture or condensation that is trapped inside a bundle can lead to white rust on sheeting.

References

For other installation techniques and details, The Sheet Metal and Air Conditioning Contractors National Association Inc. (SMACNA) and NRCA manuals are great resource for working with sheet metal.

Western States Metal Siding "Western Wave"® Panel

Installation, Flashings & Shop Drawing Detail Guide

Fastener Selection

Notes to Installers:

Fastener Selection will vary depending on type and thickness of substrate.

Design Calculations for fastener spacing should be completed by the design engineer.

The use of Butyl tape mastic, Butyl sealants and Curing Sealants is always recommended to insure weather tight installation.

Panels and flashings should never be installed in contact with dissimilar metals.

Use only those flashings and accessories designed for use with this panel.

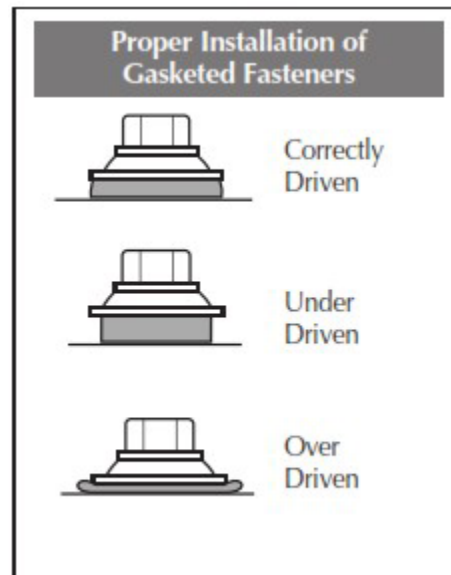
Attachment screws must be long enough to fully penetrate through roof deck substrate or penetrate solid lumber at least one inch.

Exposed Trim Fasteners should have sealing washers and be coated to provide protection against corrosion.

Screws must be properly driven to ensure holding strength and proper seal. (see diagram)

Recommended drill speed is 2000rpm. Improper setting of drill speed can lead to snapping of screw heads.

Pre drilling of screw holes may be necessary with heavy gauge metals.



Western States Metal Siding "Western Wave"® Panel

Installation, Flashings & Shop Drawing Detail Guide

Fastener Selection

Description

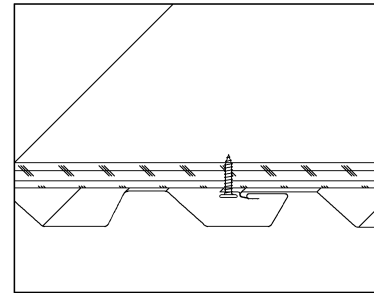
Application

14 x 7/8" Lap Self tap
14 x 7/8 Lap Stainless

Used to attach Trims .
Stainless to be used with
A606-4 Steel

#10-12 x1" Pancake head
Wood
#10-12 x 1" SD PH Self Driller
Steel

Used to attach Panel.
Used to secure trims to
substrates. Also available in
Stainless Steel.

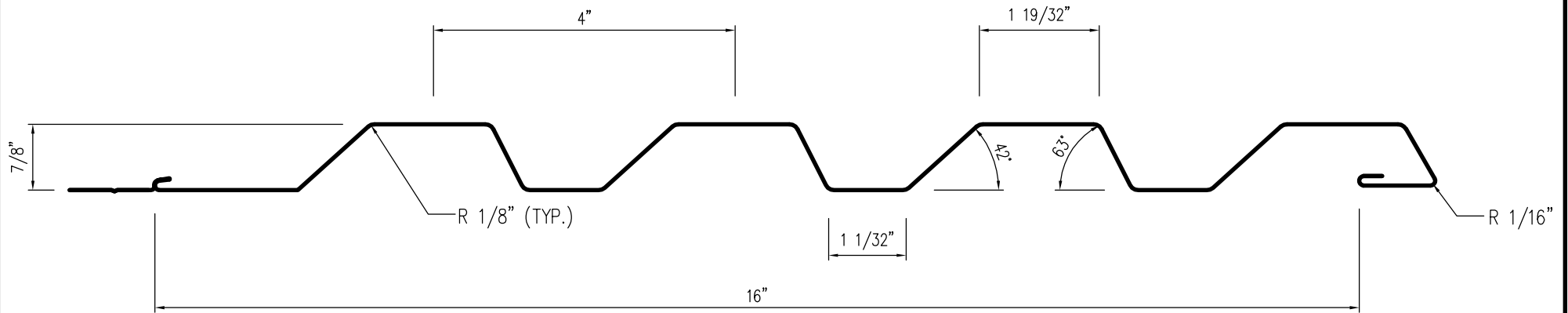
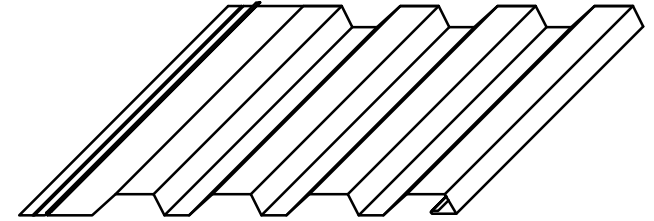


1/8" Stainless Rivets

Used for Trim to Trim
attachment or trim to wall
panels.



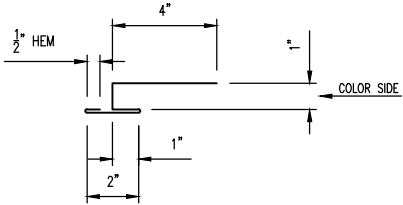
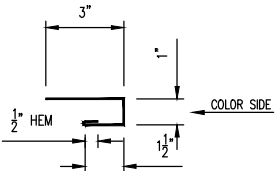
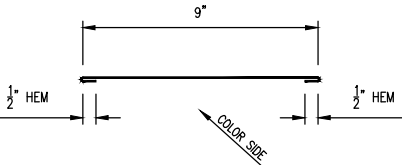
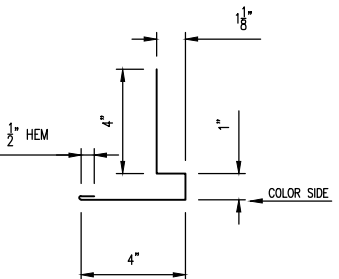
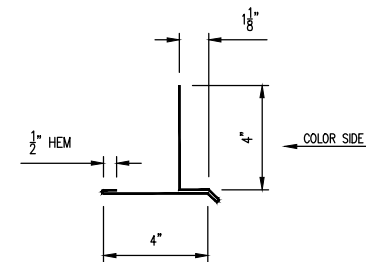
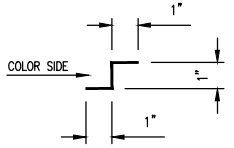
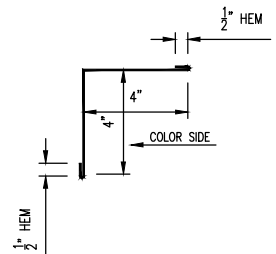
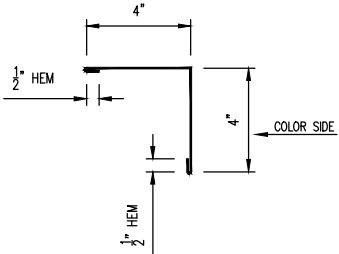
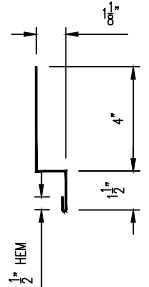
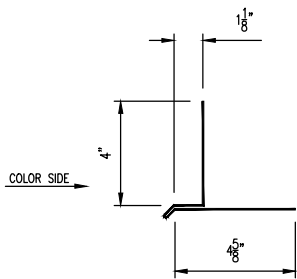
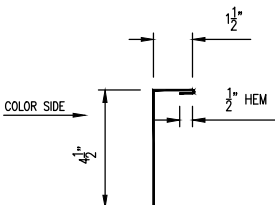
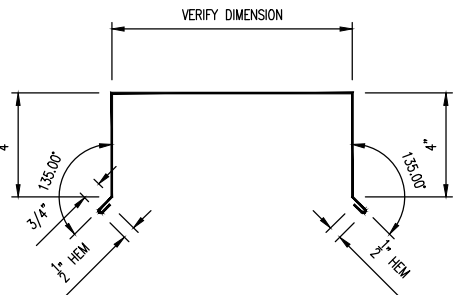
The table above shows the panel Fasteners provided by WSD. Special order screws are available.



16" WIDE - 4 RIBS WITH FLANGE

Western States Metal Roofing	SCALE:	TITLE / PART NAME:		
	DRAWN:	WESTERN WAVE		
	DATE:	PRODUCT / PRODUCT LINE		
901 W. Watkins St. Phoenix, AZ 85007	CHECKED:	WESTERN WAVE ® PANEL		
	DATE:	PART I.D.	REVISION	SHEET

Copyright: The design and print is the property of Western States Metal Roofing, and must not be used, reproduced, or copied, wholly or in part without the written permission from the company. Supply of this design and print represents a confidential communication between the company and recipient.

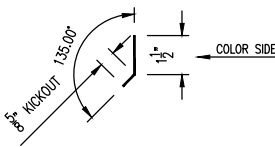
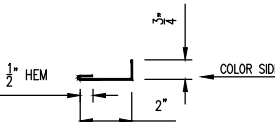
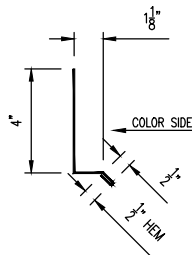
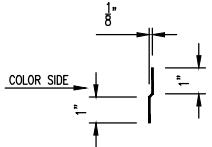
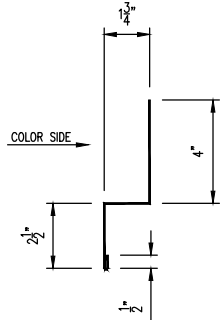
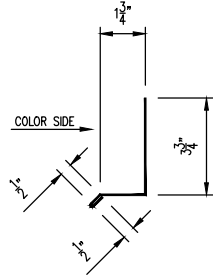
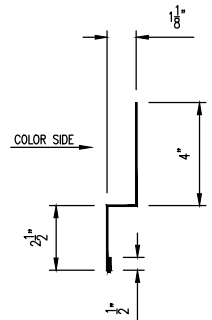
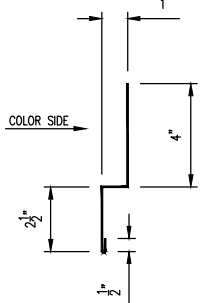
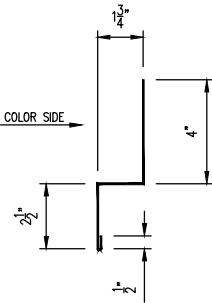
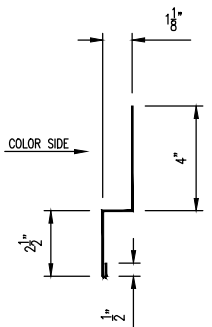
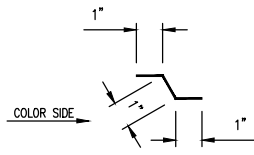
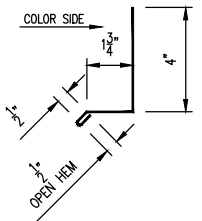
<p>END SPLICE WS-600</p> 	<p>C METAL (J-TRIM) WS-601</p> 	<p>REVEAL FLASHING WS-602</p> 	<p>SILL DRIP TRIM WS-603</p> 
<p>ALTERNATE SILL DRIP TRIM WS-604</p> 	<p>Z METAL TRIM WS-605</p> 	<p>INSIDE CORNER TRIM WS-606</p> 	<p>OUTSIDE CORNER TRIM WS-607</p> 
<p>TRANSITION/SILL TRIM WS-608</p> 	<p>DOOR/WINDOW HEAD TRIM WS-609</p> 	<p>DOOR/WINDOW JAMB TRIM WS-610</p> 	<p>PARAPET CAP WS-611</p> 

Western States Metal Roofing

901 W. Watkins St.
 Phoenix, AZ 85007
www.MetalForRoofing.com
www.RustedRoofing.com
www.MetalDeck.com

Phone: (602) 495-0048
 Fax: (602) 261-7726
 877-PURLINS (787-5467)

STANDARD TRIMS			
PANEL TYPE:		A	12-27-2017
WESTERN WAVE ® PANEL		REV:	DATE:
		DETAIL #: WP-WSD-ST1	

<p>TRIM CLEAT WS-612</p> 	<p>ALTERNATE WALL TRIM WS-613</p> 	<p>BASE TRIM WS-614</p> 	<p>BASE JOGGLE CLEAT WS-615</p> 
<p>PBR TRANSITION TRIM WS-616</p> 	<p>BASE TRIM WS-617</p> 	<p>RW TRANSITION TRIM WS-618</p> 	<p>7/8" TRANSITION TRIM WS-619</p> 
<p>WR TRANSITION TRIM WS-620</p> 	<p>TG TRANSITION TRIM WS-621</p> 	<p>Z-METAL TRIM WS-622</p> 	<p>BASE TRIM WS-623</p> 

Western States Metal Roofing

901 W. Watkins St.
 Phoenix, AZ 85007
www.MetalForRoofing.com
www.RustedRoofing.com
www.MetalDeck.com

Phone: (602) 495-0048
 Fax: (602) 261-7726
 877-PURLINS (787-5467)

STANDARD TRIMS			
PANEL TYPE: WESTERN WAVE ® PANEL		A	12-27-2017
		REV:	DATE:
		DETAIL #: WP-WSD-ST2	

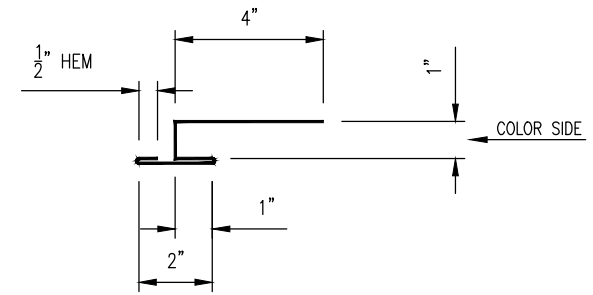
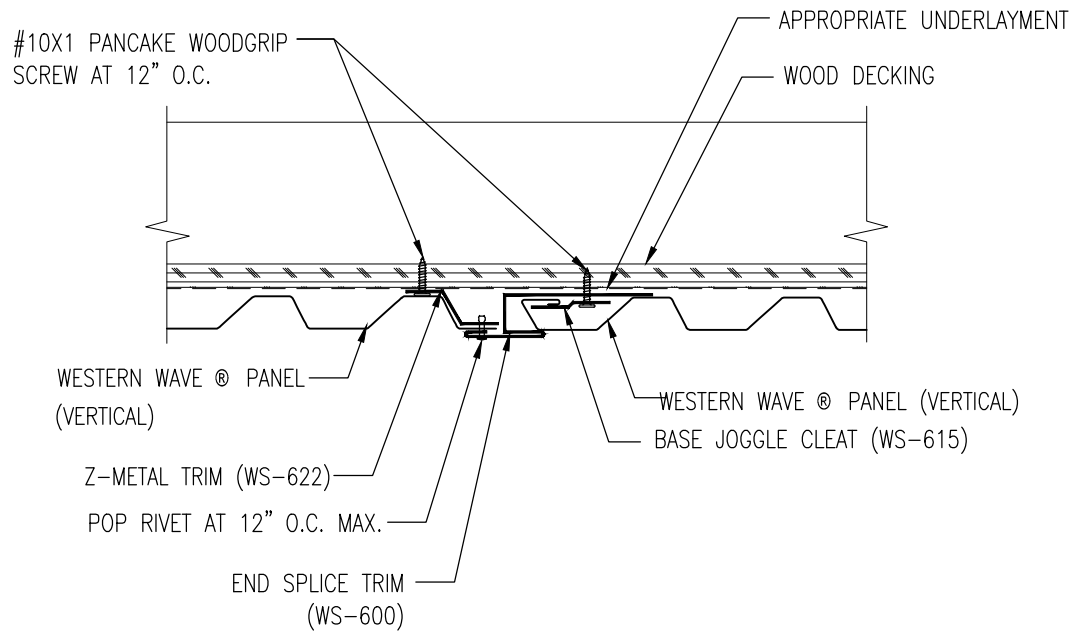
TRANSITION CLEAT WS-624			

Western States Metal Roofing

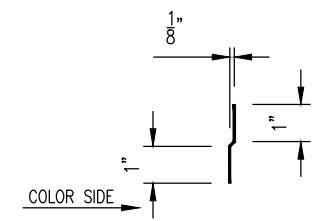
901 W. Watkins St.
 Phoenix, AZ 85007
www.MetalForRoofing.com
www.RustedRoofing.com
www.MetalDeck.com

Phone: (602) 495-0048
 Fax: (602) 261-7726
 877-PURLINS (787-5467)

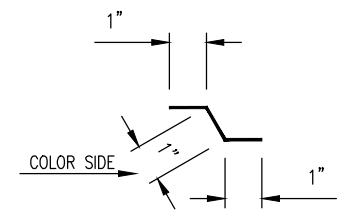
STANDARD TRIMS			
PANEL TYPE: WESTERN WAVE ® PANEL		A	12-27-2017
		REV:	DATE:
		DETAIL #: WP-WSD-ST3	



END SPLICE TRIM (WS-600)



BASE JOGGLE CLEAT (WS-615)



Z-METAL TRIM (WS-622)

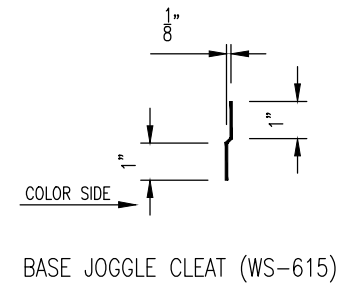
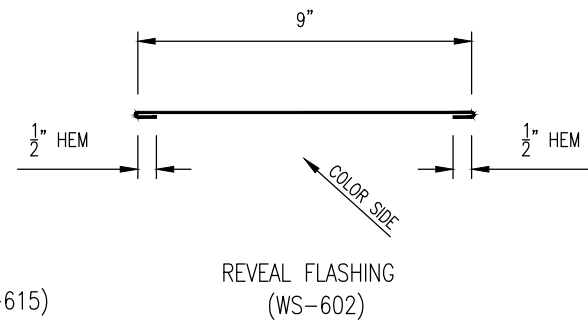
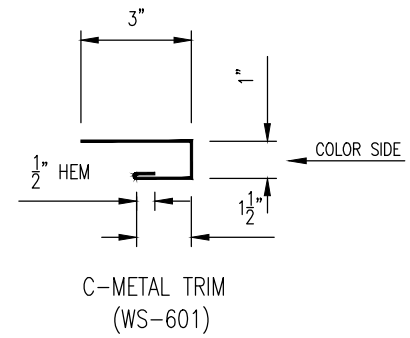
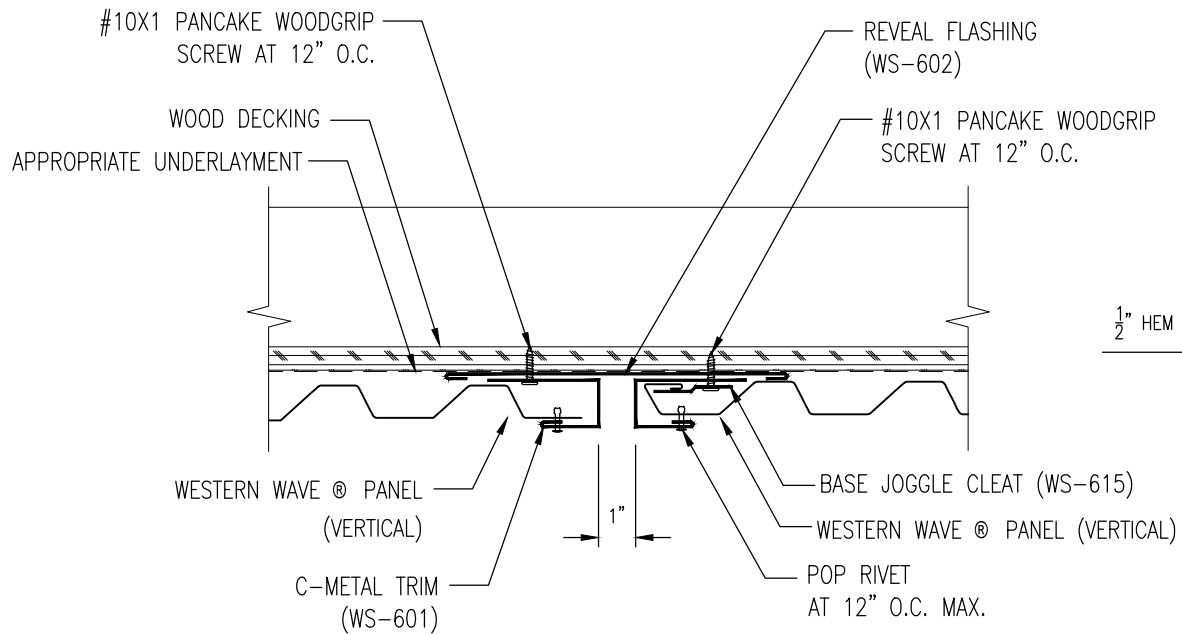
GAUGE: _____	COLOR: _____
LENGTH: _____	FINISH: _____
MATERIAL: _____	

Western States Metal Roofing

901 W. Watkins St.
 Phoenix, AZ 85007
www.MetalForRoofing.com
www.RustedRoofing.com
www.MetalDeck.com

Phone: (602) 495-0048
 Fax: (602) 261-7726
 877-PURLINS (787-5467)

WALL END SPLICE DETAIL		
	A	12-27-2017
PANEL TYPE: WESTERN WAVE ® PANEL (VERTICAL)	REV:	DATE:
	DETAIL #:	WP-WSD-S1



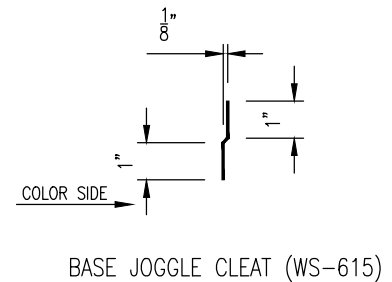
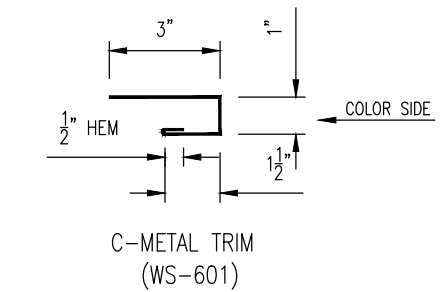
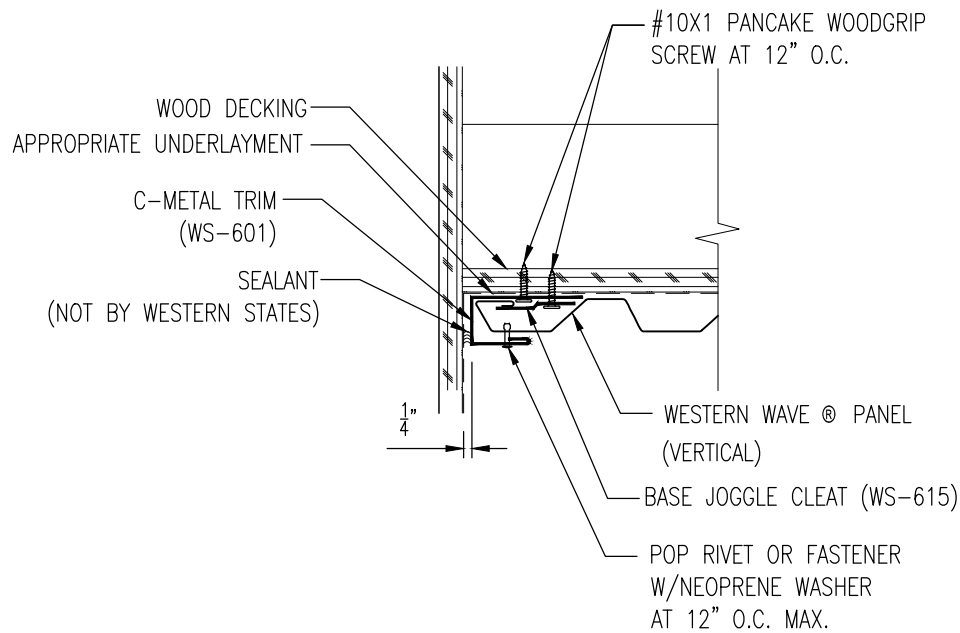
GAUGE: _____	COLOR: _____
LENGTH: _____	FINISH: _____
MATERIAL: _____	

Western States Metal Roofing

901 W. Watkins St.
 Phoenix, AZ 85007
 www.MetalForRoofing.com
 www.RustedRoofing.com
 www.MetalDeck.com

Phone: (602) 495-0048
 Fax: (602) 261-7726
 877-PURLINS (787-5467)

WALL/SOFFIT END SPLICE DETAIL		
	A	12-27-2017
PANEL TYPE: WESTERN WAVE ® PANEL (VERTICAL)	REV:	DATE:
	DETAIL #: WP-WSD-SW2	



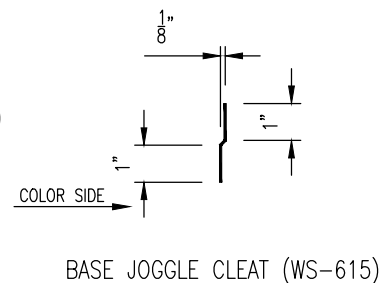
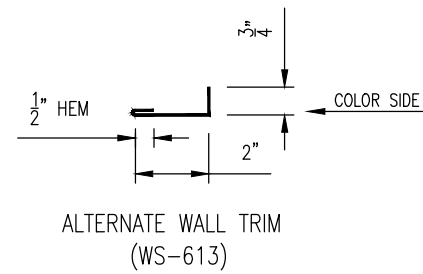
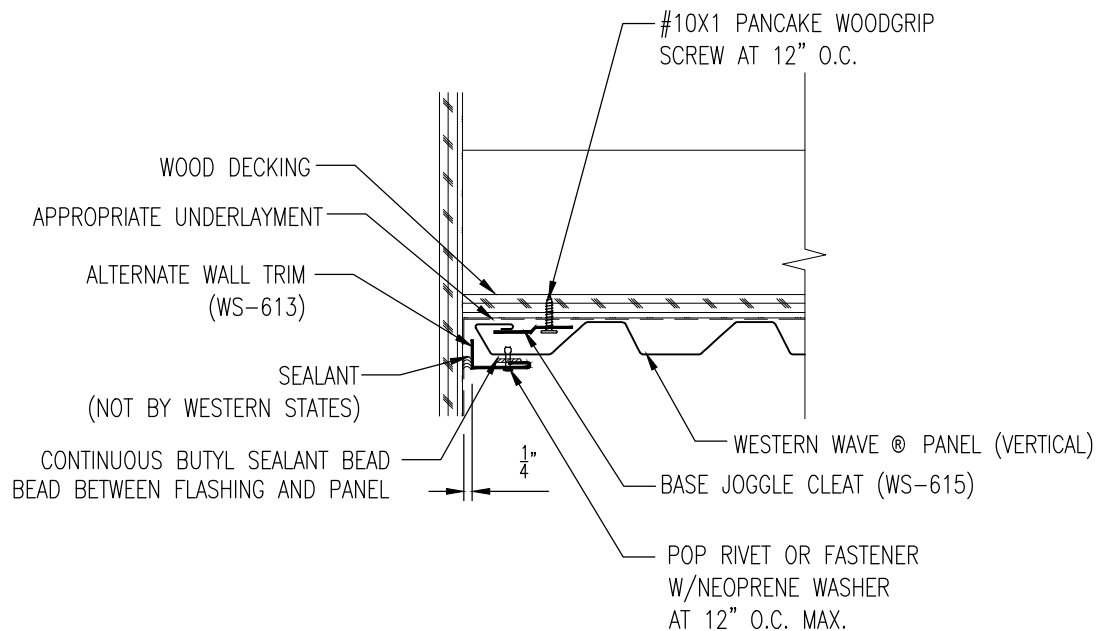
GAUGE: _____	COLOR: _____
LENGTH: _____	FINISH: _____
MATERIAL: _____	

Western States Metal Roofing

901 W. Watkins St.
 Phoenix, AZ 85007
 www.MetalForRoofing.com
 www.RustedRoofing.com
 www.MetalDeck.com

Phone: (602) 495-0048
 Fax: (602) 261-7726
 877-PURLINS (787-5467)

SOFFIT END WALL DETAIL		
	A	12-27-2017
PANEL TYPE: WESTERN WAVE ® PANEL (VERTICAL)	REV:	DATE:
	DETAIL #: WP-WSD-S3	



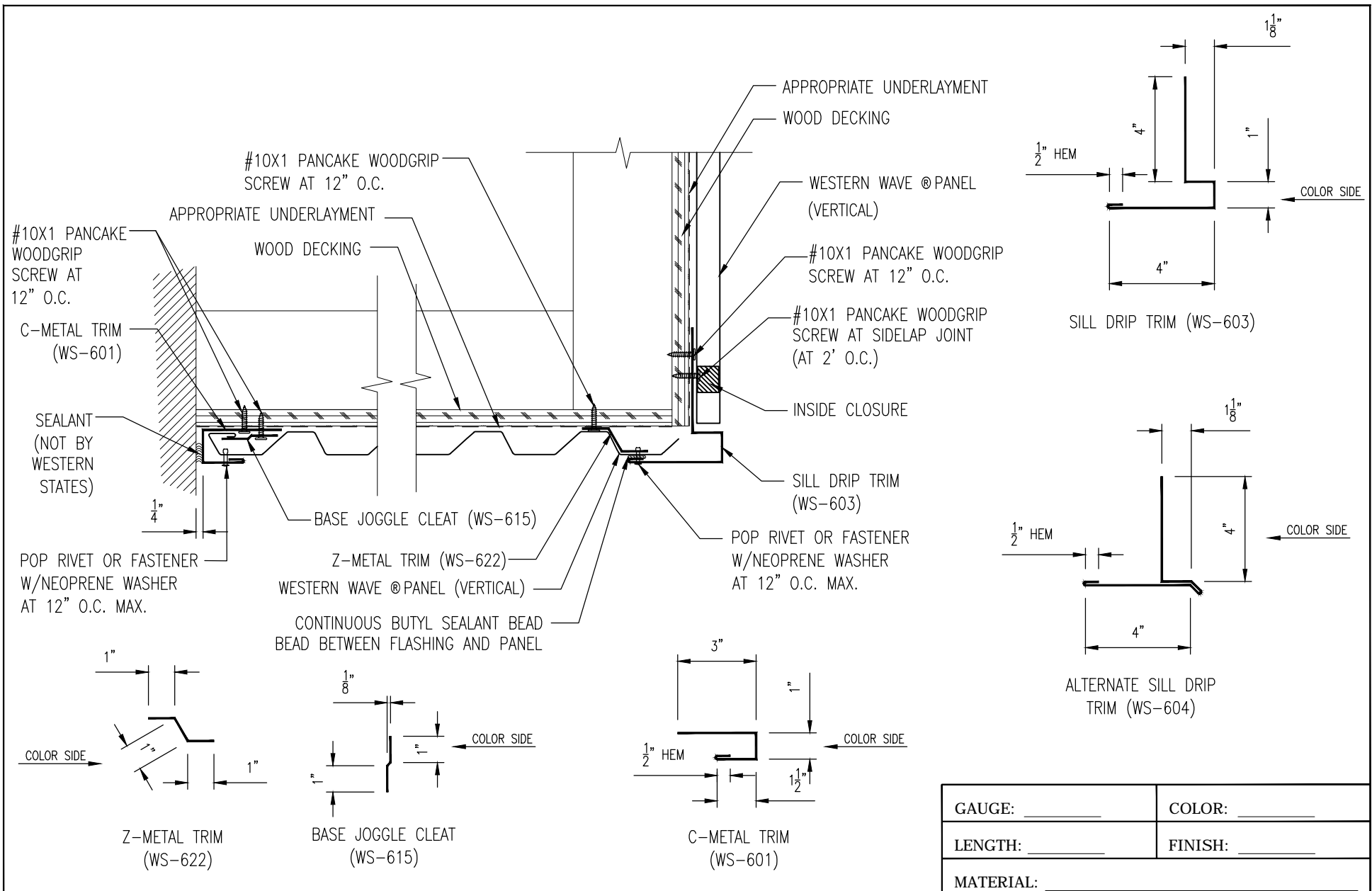
GAUGE: _____	COLOR: _____
LENGTH: _____	FINISH: _____
MATERIAL: _____	

Western States Metal Roofing

901 W. Watkins St.
 Phoenix, AZ 85007
 www.MetalForRoofing.com
 www.RustedRoofing.com
 www.MetalDeck.com

Phone: (602) 495-0048
 Fax: (602) 261-7726
 877-PURLINS (787-5467)

ALTERNATE SOFFIT END WALL DETAIL		
	A	12-27-2017
PANEL TYPE: WESTERN WAVE ® PANEL (VERTICAL)	REV:	DATE:
	DETAIL #: WP-WSD-SW4	

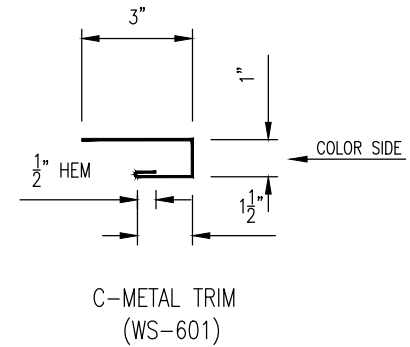
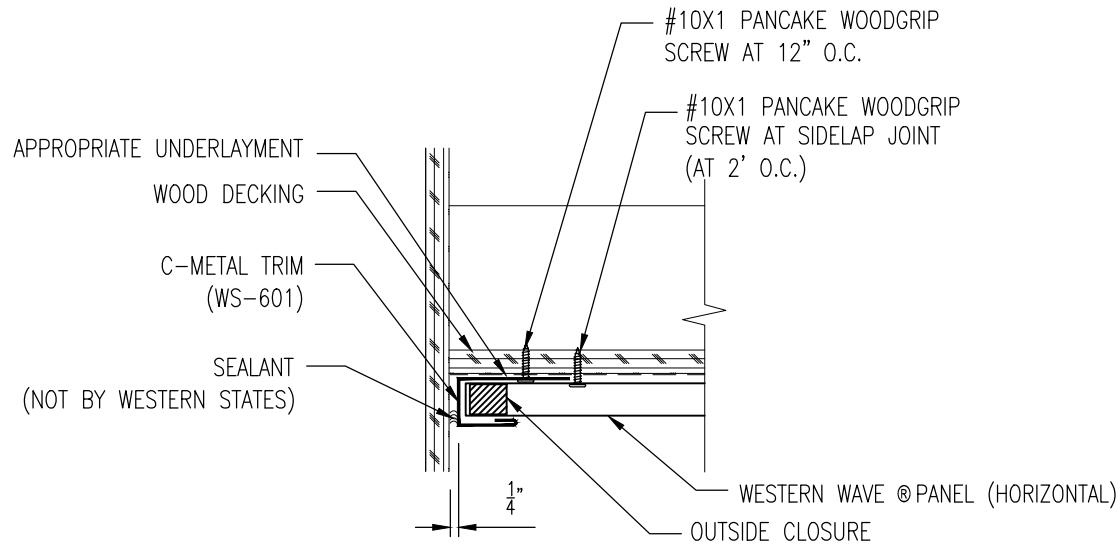


Western States Metal Roofing

901 W. Watkins St.
 Phoenix, AZ 85007
 www.MetalForRoofing.com
 www.RustedRoofing.com
 www.MetalDeck.com

Phone: (602) 495-0048
 Fax: (602) 261-7726
 877-PURLINS (787-5467)

GAUGE: _____	COLOR: _____		
LENGTH: _____	FINISH: _____		
MATERIAL: _____			
SOFFIT TO WALL DRIP DETAIL		A	12-27-2017
		REV:	DATE:
PANEL TYPE: WESTERN WAVE ® PANEL (VERTICAL)		DETAIL #: WP-WSD-SW5	

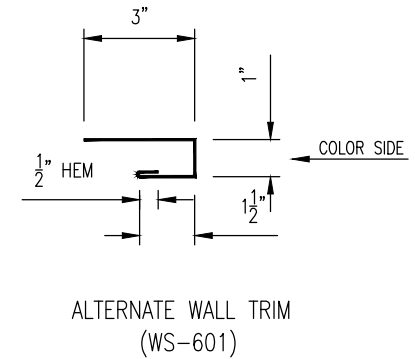
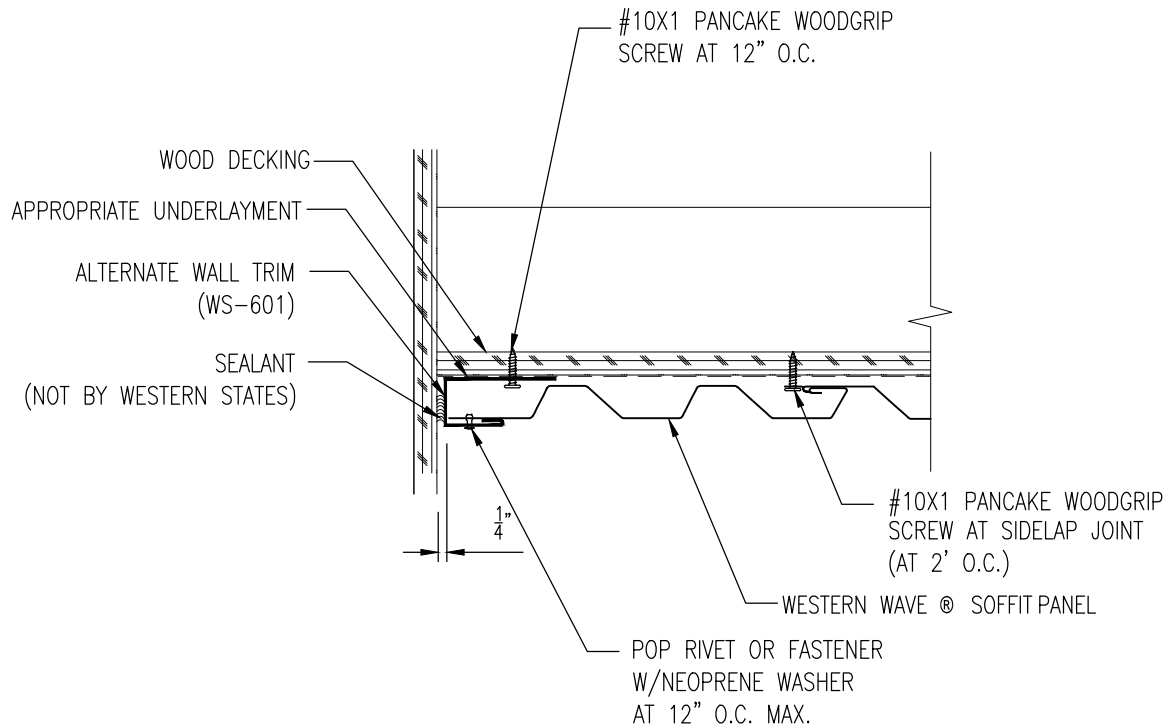


Western States Metal Roofing

901 W. Watkins St.
 Phoenix, AZ 85007
www.MetalForRoofing.com
www.RustedRoofing.com
www.MetalDeck.com

Phone: (602) 495-0048
 Fax: (602) 261-7726
 877-PURLINS (787-5467)

GAUGE: _____		COLOR: _____	
LENGTH: _____		FINISH: _____	
MATERIAL: _____			
HORIZONTAL SIDING END WALL DETAIL			
		A	12-27-2017
PANEL TYPE: WESTERN WAVE ® PANEL (VERTICAL)		REV:	DATE:
		DETAIL #: WP-WSD-W6	

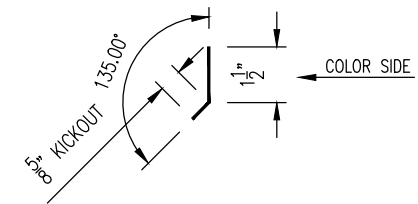
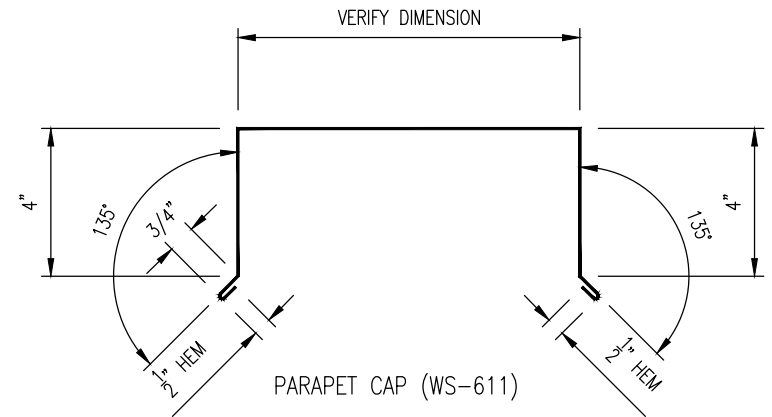
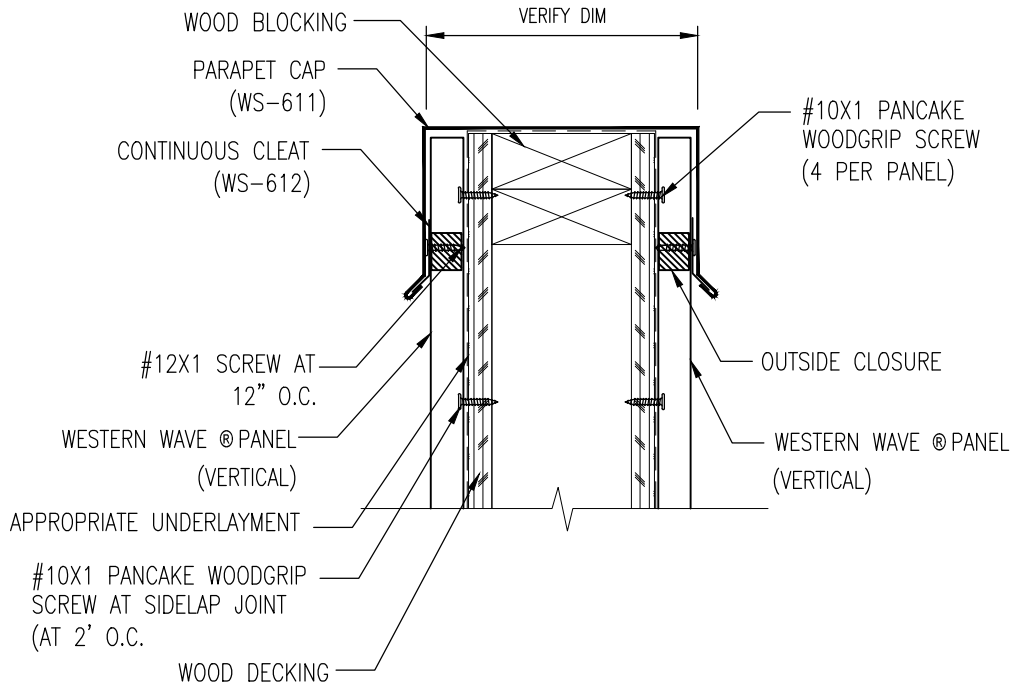


GAUGE: _____	COLOR: _____		
LENGTH: _____	FINISH: _____		
MATERIAL: _____			
VERTICAL SIDING END WALL DETAIL			
		A	12-27-2017
PANEL TYPE: WESTERN WAVE ® PANEL (VERTICAL)		REV:	DATE:
		DETAIL #: WP-WSD-SW7	

Western States Metal Roofing

901 W. Watkins St.
Phoenix, AZ 85007
www.MetalForRoofing.com
www.RustedRoofing.com
www.MetalDeck.com

Phone: (602) 495-0048
Fax: (602) 261-7726
877-PURLINS (787-5467)



CONTINUOUS CLEAT (WS-612)

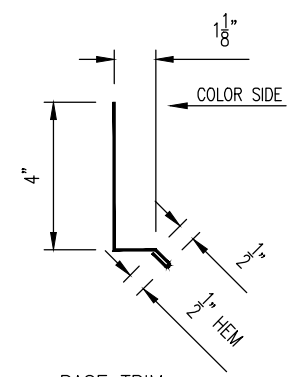
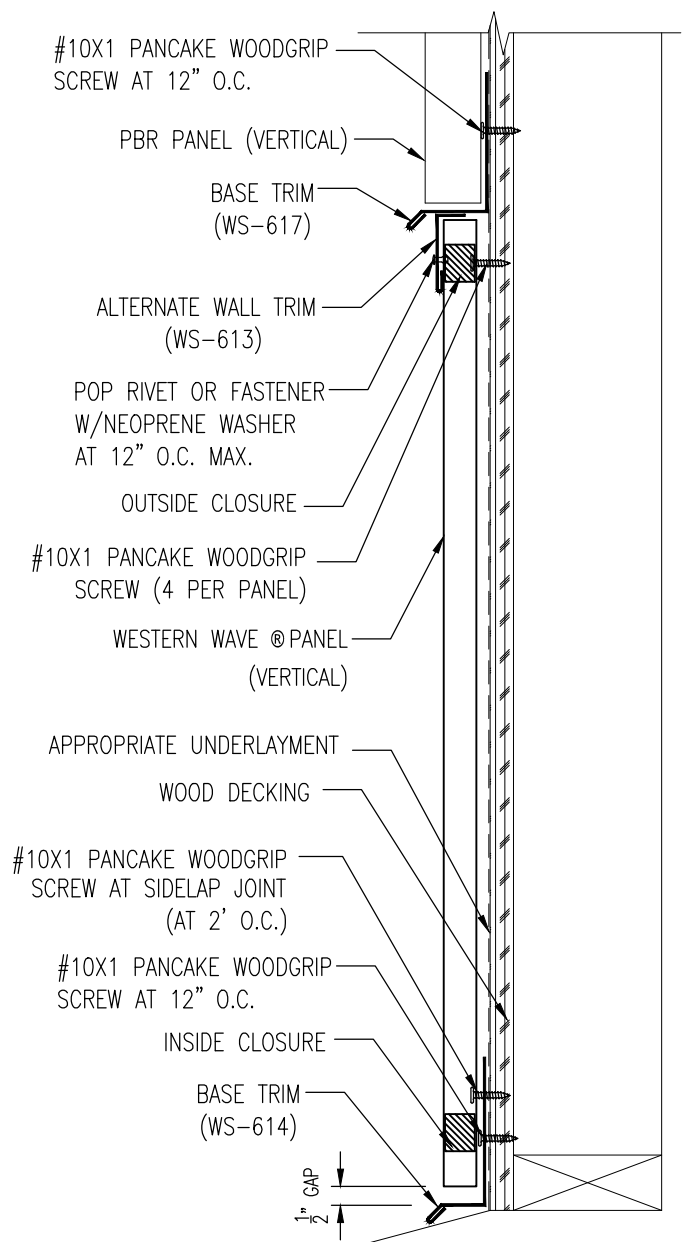
GAUGE: _____	COLOR: _____
LENGTH: _____	FINISH: _____
MATERIAL: _____	

Western States Metal Roofing

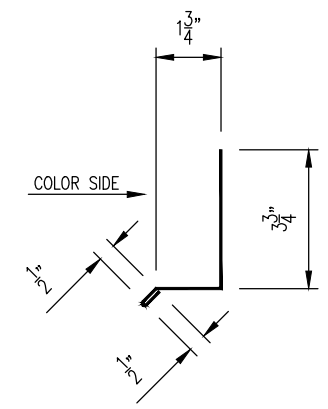
901 W. Watkins St.
 Phoenix, AZ 85007
www.MetalForRoofing.com
www.RustedRoofing.com
www.MetalDeck.com

Phone: (602) 495-0048
 Fax: (602) 261-7726
 877-PURLINS (787-5467)

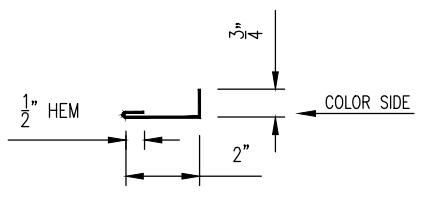
PARAPET WALL DETAIL		
	A	12-27-2017
PANEL TYPE: WESTERN WAVE ® PANEL (VERTICAL)	REV:	DATE:
	DETAIL #: WP-WSD-SW8	



BASE TRIM (WS-614)



BASE TRIM (WS-617)



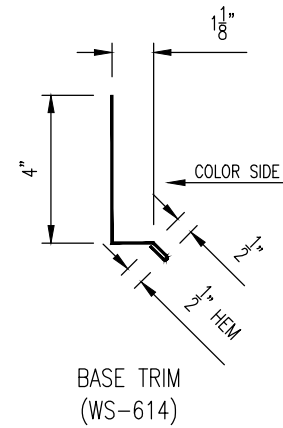
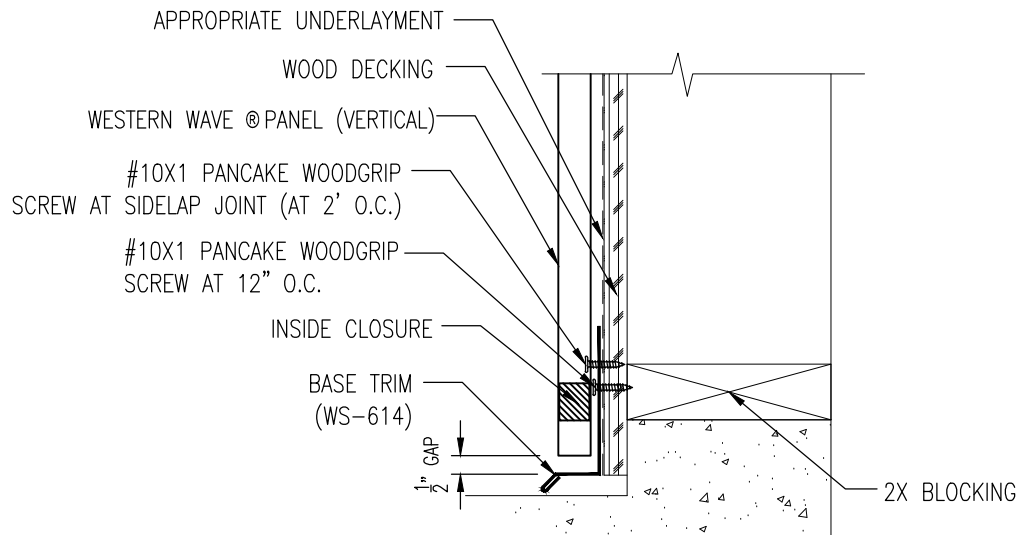
ALTERNATE WALL TRIM (WS-613)

GAUGE: _____	COLOR: _____
LENGTH: _____	FINISH: _____
MATERIAL: _____	
ALTERNATE WAINSCOT TRANSITION DETAIL (WESTERN WAVE TO R-PANEL)	
A	12-27-2017
REV:	DATE:
PANEL TYPE: WESTERN WAVE ® PANEL (VERTICAL)	DETAIL #: WP-WSD-W9

Western States Metal Roofing

901 W. Watkins St.
 Phoenix, AZ 85007
 www.MetalForRoofing.com
 www.RustedRoofing.com
 www.MetalDeck.com

Phone: (602) 495-0048
 Fax: (602) 261-7726
 877-PURLINS (787-5467)



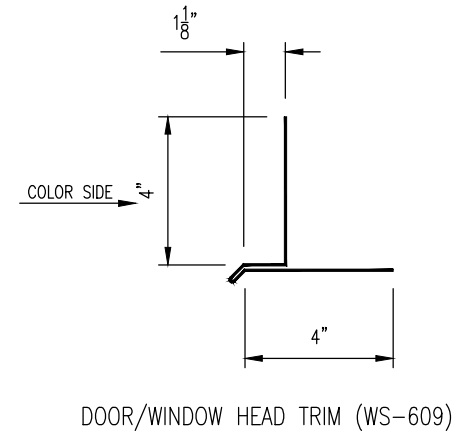
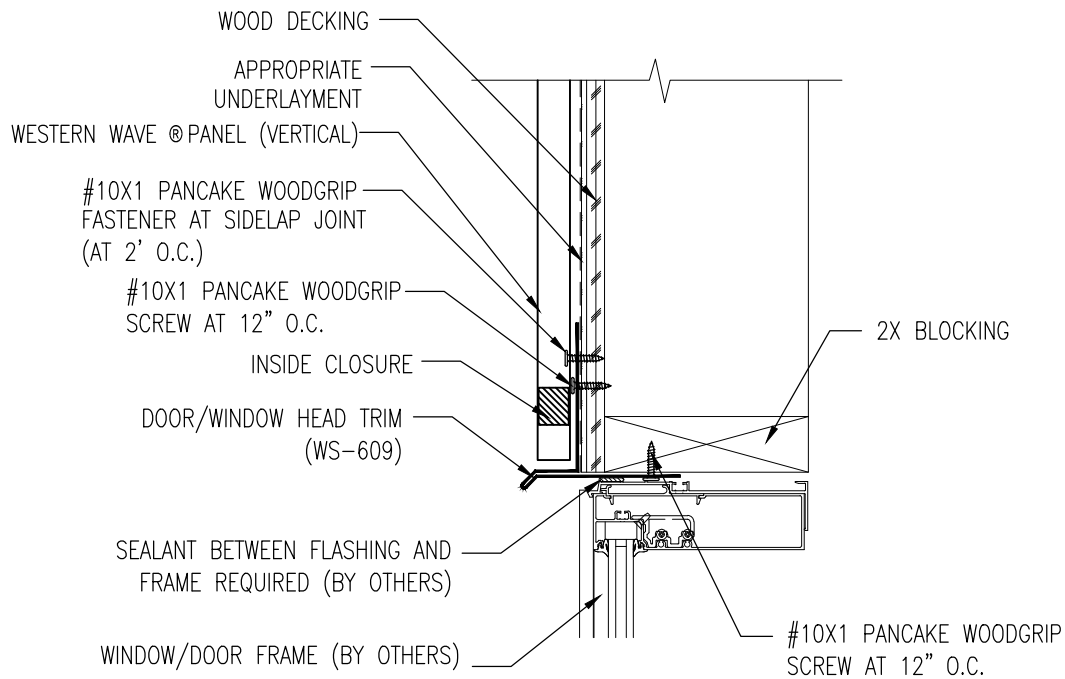
GAUGE: _____	COLOR: _____
LENGTH: _____	FINISH: _____
MATERIAL: _____	

Western States Metal Roofing

901 W. Watkins St.
 Phoenix, AZ 85007
www.MetalForRoofing.com
www.RustedRoofing.com
www.MetalDeck.com

Phone: (602) 495-0048
 Fax: (602) 261-7726
 877-PURLINS (787-5467)

BASE DETAIL		
	A	12-27-2017
PANEL TYPE: WESTERN WAVE ® PANEL (VERTICAL)	REV:	DATE:
	DETAIL #: WP-WSD-W10	



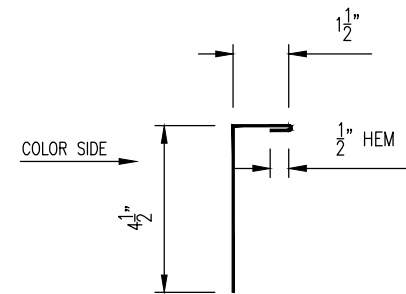
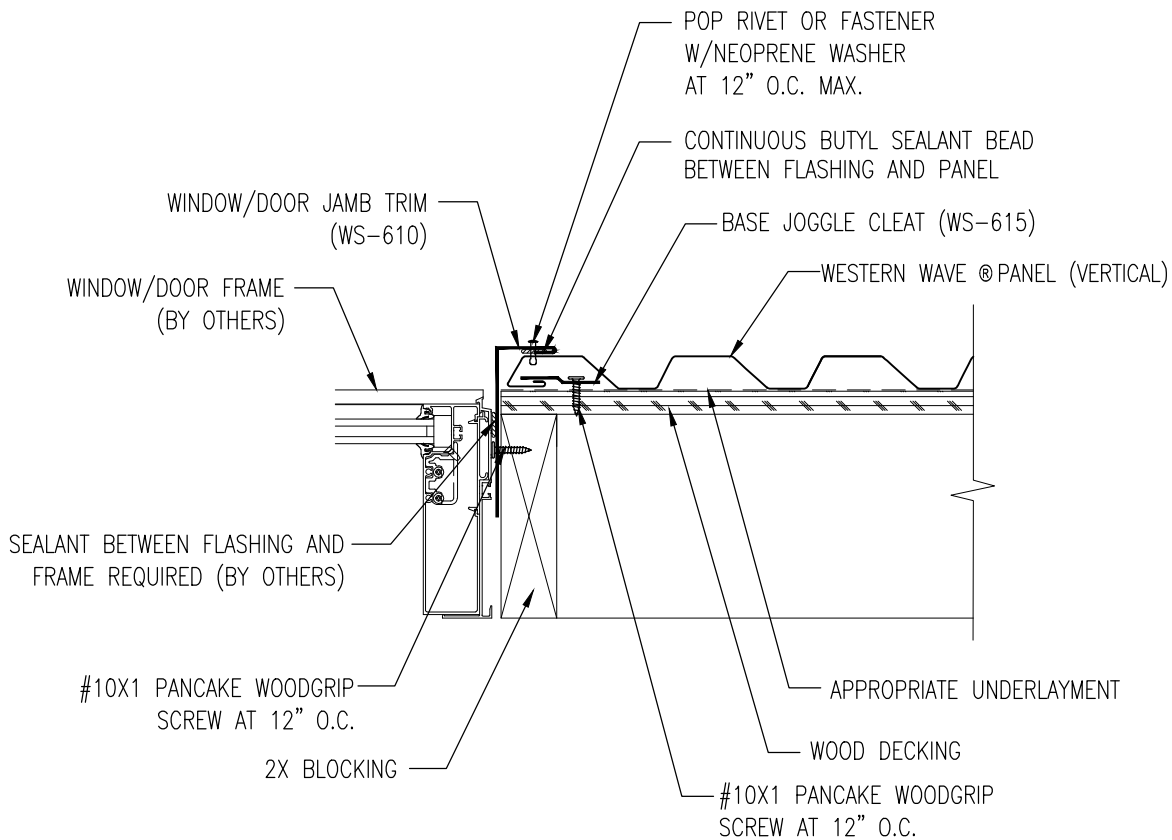
GAUGE: _____	COLOR: _____
LENGTH: _____	FINISH: _____
MATERIAL: _____	

Western States Metal Roofing

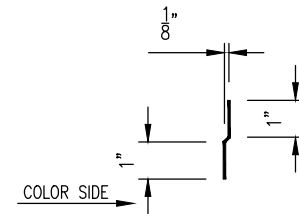
901 W. Watkins St.
 Phoenix, AZ 85007
www.MetalForRoofing.com
www.RustedRoofing.com
www.MetalDeck.com

Phone: (602) 495-0048
 Fax: (602) 261-7726
 877-PURLINS (787-5467)

DOOR / WINDOW SILL AND HEAD DETAIL		
	A	12-27-2017
PANEL TYPE: WESTERN WAVE ® PANEL (VERTICAL)	REV:	DATE:
	DETAIL #: WP-WSD-W11	



WINDOW/DOOR JAMB TRIM (WS-610)



BASE JOGGLE CLEAT (WS-615)

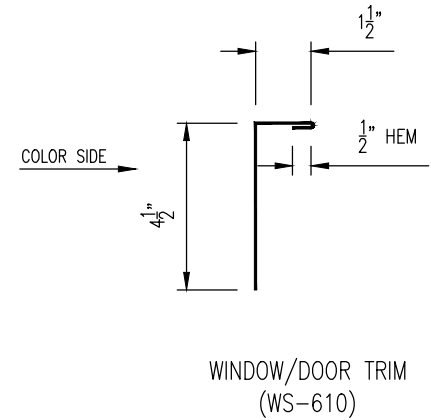
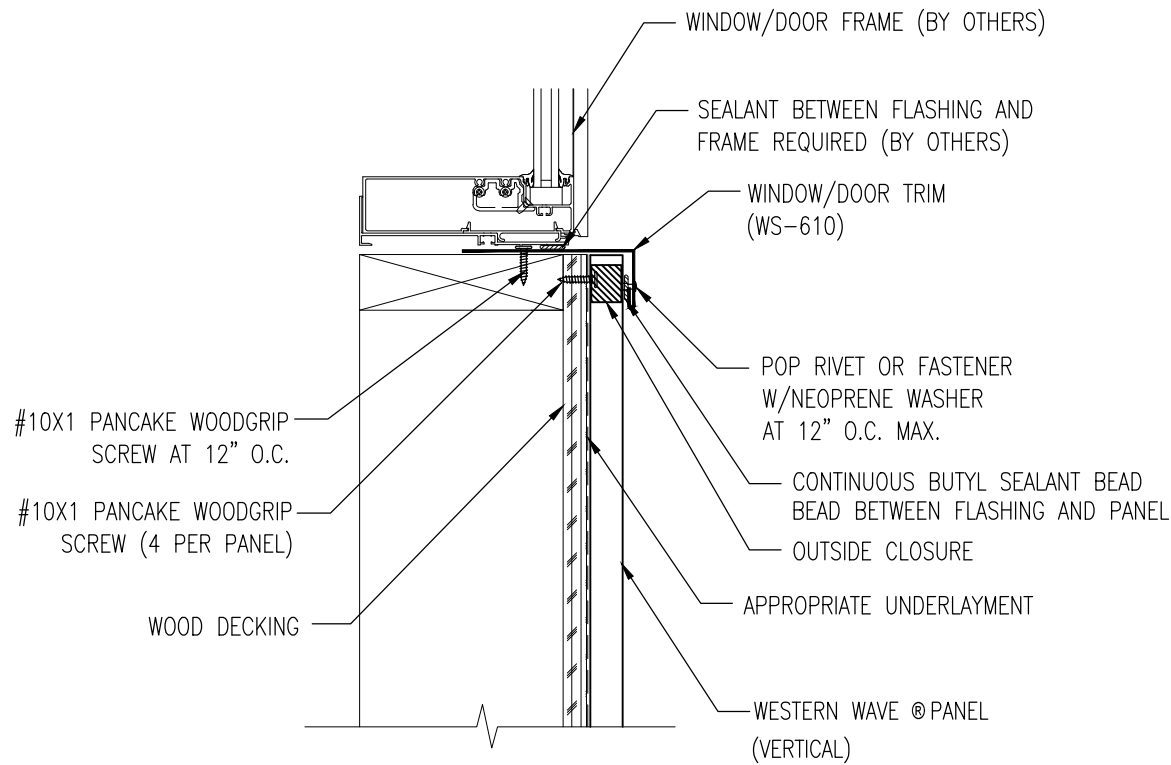
GAUGE: _____	COLOR: _____
LENGTH: _____	FINISH: _____
MATERIAL: _____	

Western States Metal Roofing

901 W. Watkins St.
 Phoenix, AZ 85007
 www.MetalForRoofing.com
 www.RustedRoofing.com
 www.MetalDeck.com

Phone: (602) 495-0048
 Fax: (602) 261-7726
 877-PURLINS (787-5467)

WINDOW / DOOR JAMB DETAIL		
	A	12-27-2017
PANEL TYPE: WESTERN WAVE ® PANEL (VERTICAL)	REV:	DATE:
	DETAIL #:	WP-WSD-W12

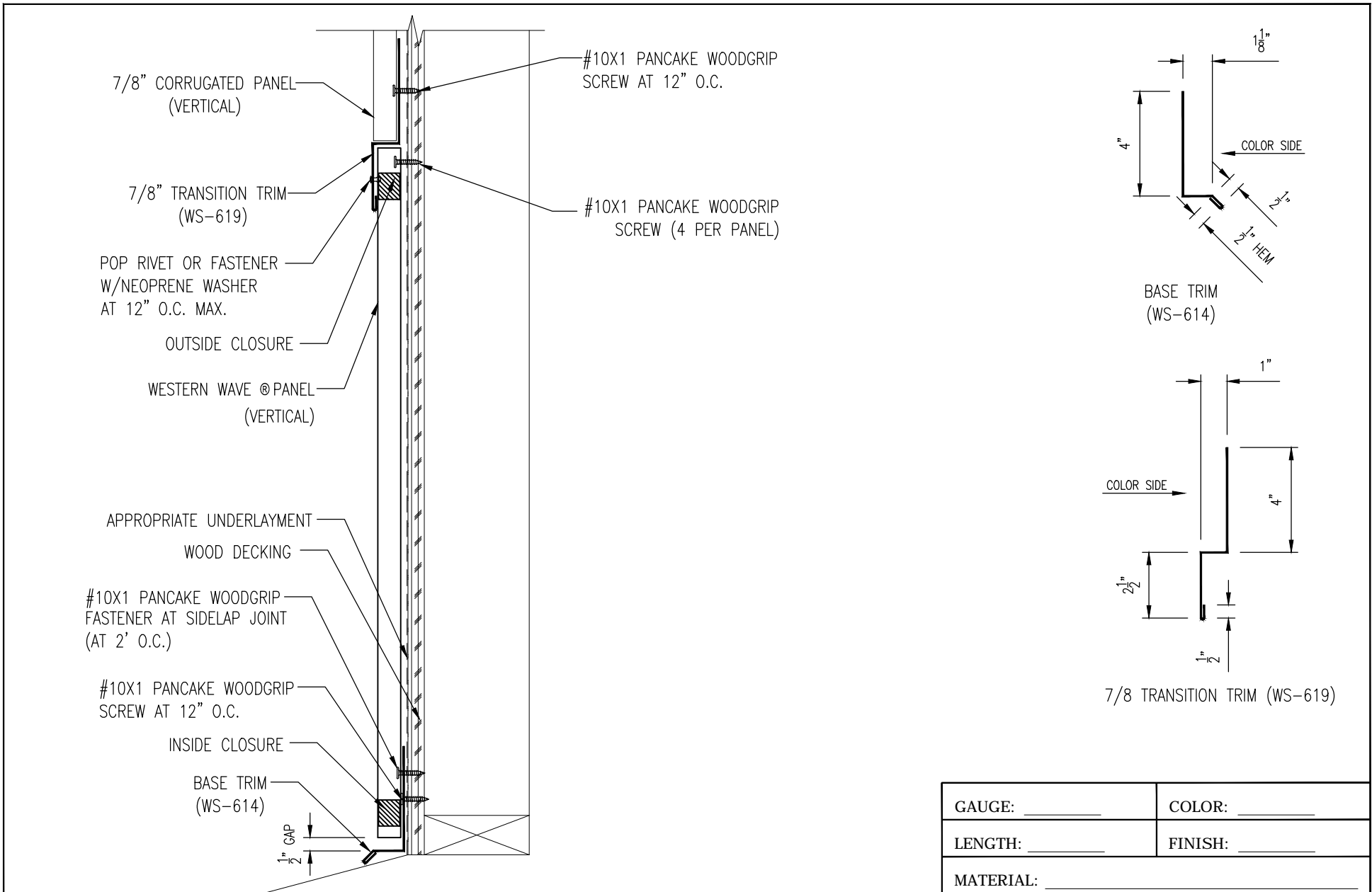


Western States Metal Roofing

901 W. Watkins St.
 Phoenix, AZ 85007
www.MetalForRoofing.com
www.RustedRoofing.com
www.MetalDeck.com

Phone: (602) 495-0048
 Fax: (602) 261-7726
 877-PURLINS (787-5467)

GAUGE: _____		COLOR: _____	
LENGTH: _____		FINISH: _____	
MATERIAL: _____			
DOOR / WINDOW SILL DETAIL			
		A	12-27-2017
PANEL TYPE: WESTERN WAVE ® PANEL (VERTICAL)		REV:	DATE:
		DETAIL #: WP-WSD-W13	

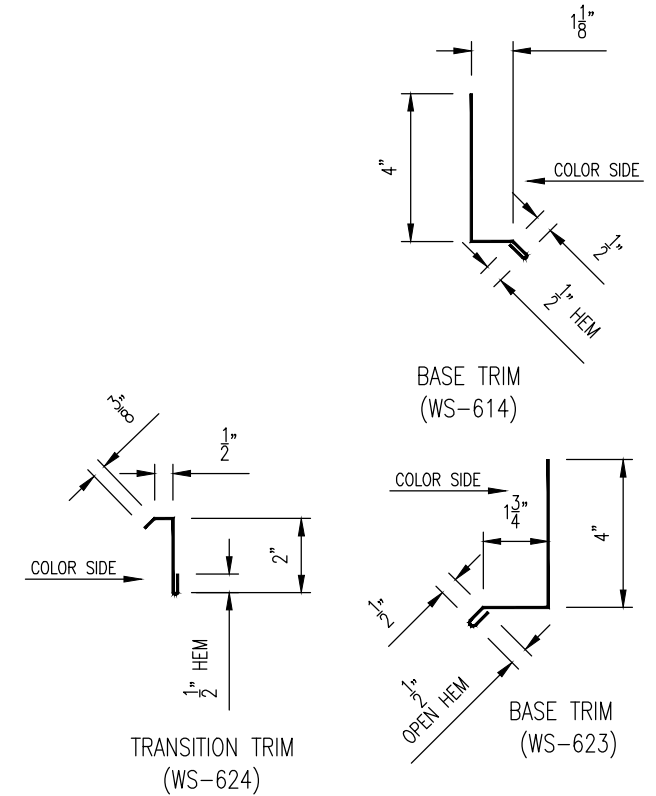
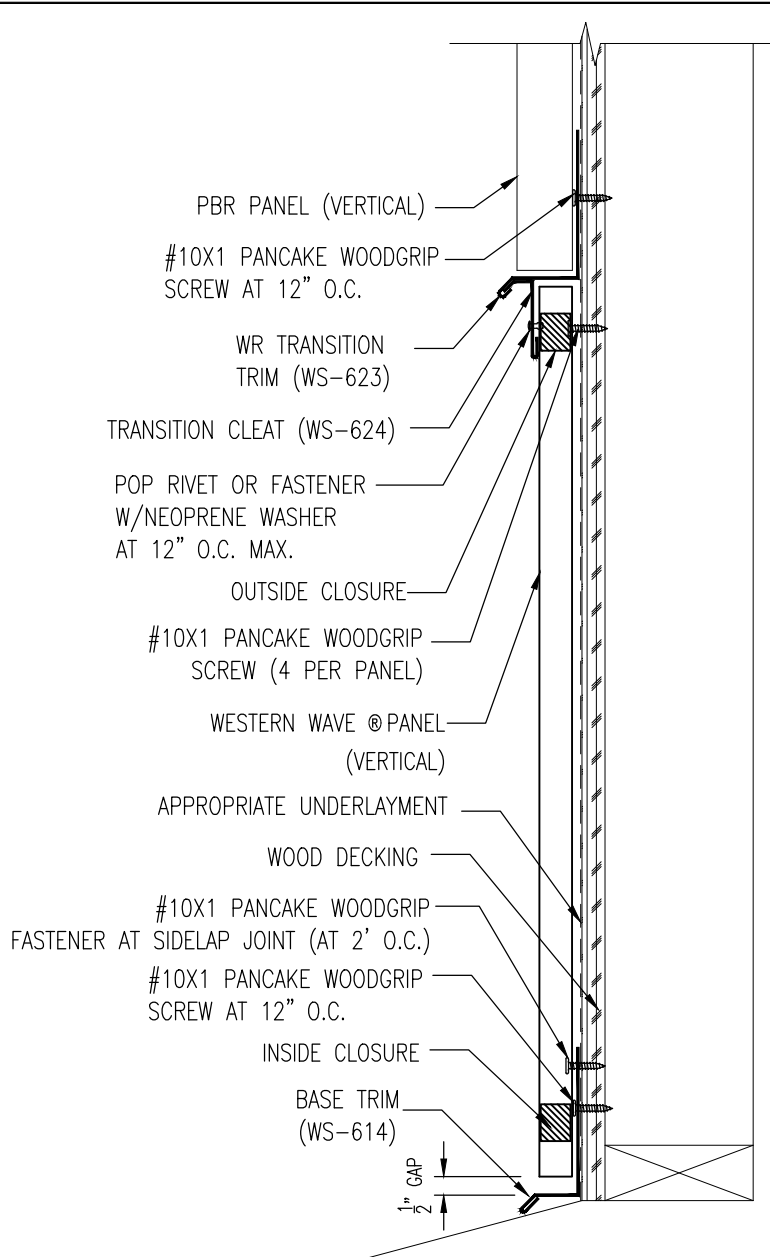


Western States Metal Roofing

901 W. Watkins St.
 Phoenix, AZ 85007
www.MetalForRoofing.com
www.RustedRoofing.com
www.MetalDeck.com

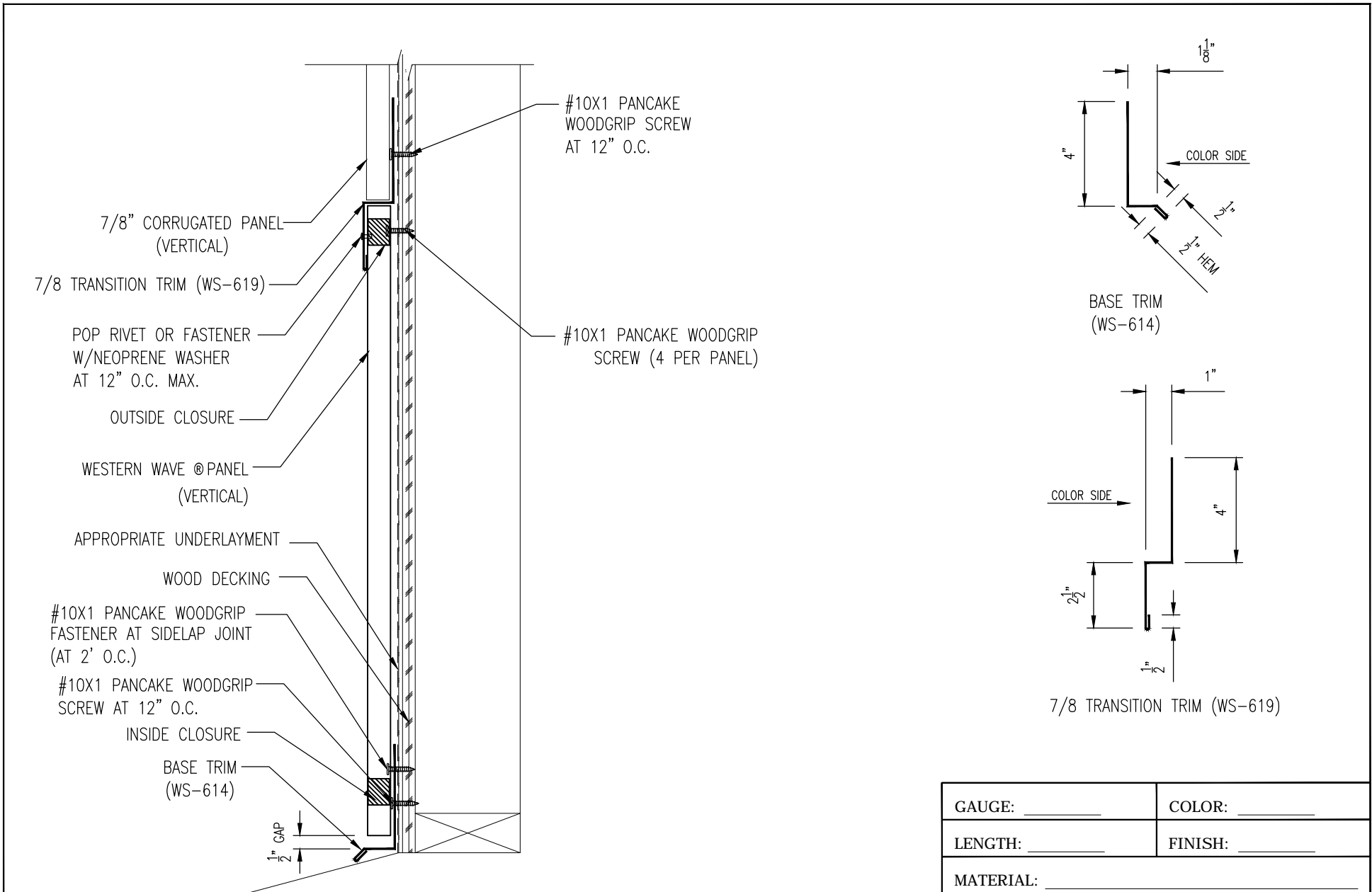
Phone: (602) 495-0048
 Fax: (602) 261-7726
 877-PURLINS (787-5467)

GAUGE: _____		COLOR: _____	
LENGTH: _____		FINISH: _____	
MATERIAL: _____			
ALTERNATE WAINSCOT TRANSITION DETAIL (WESTERN WAVE TO 7/8" CORRUGATED PANEL)			
		A	12-27-2017
PANEL TYPE: WESTERN WAVE ® PANEL (VERTICAL)		REV:	DATE:
		DETAIL #: WP-WSD-W14	



GAUGE: _____	COLOR: _____
LENGTH: _____	FINISH: _____
MATERIAL: _____	
ALTERNATE WAINSCOAT TRANSITION DETAIL (WESTERN WAVE TO PBR-PANEL)	
A	12-27-2017
REV:	DATE:
PANEL TYPE: WESTERN WAVE ® PANEL (VERTICAL)	DETAIL #: WP-WSD-W15

Western States Metal Roofing
 901 W. Watkins St. Phone: (602) 495-0048
 Phoenix, AZ 85007 Fax: (602) 261-7726
 www.MetalForRoofing.com 877-PURLINS (787-5467)
 www.RustedRoofing.com
 www.MetalDeck.com

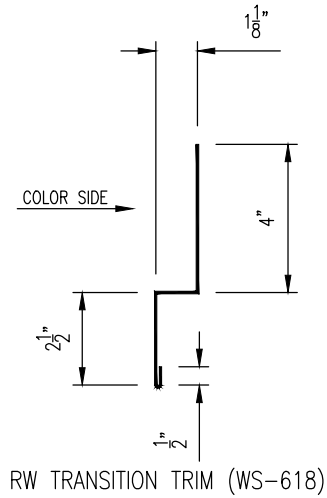
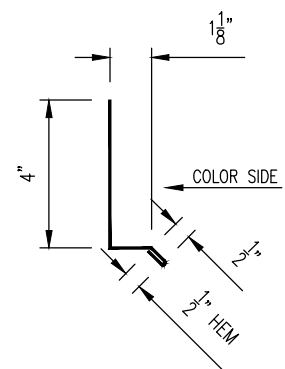
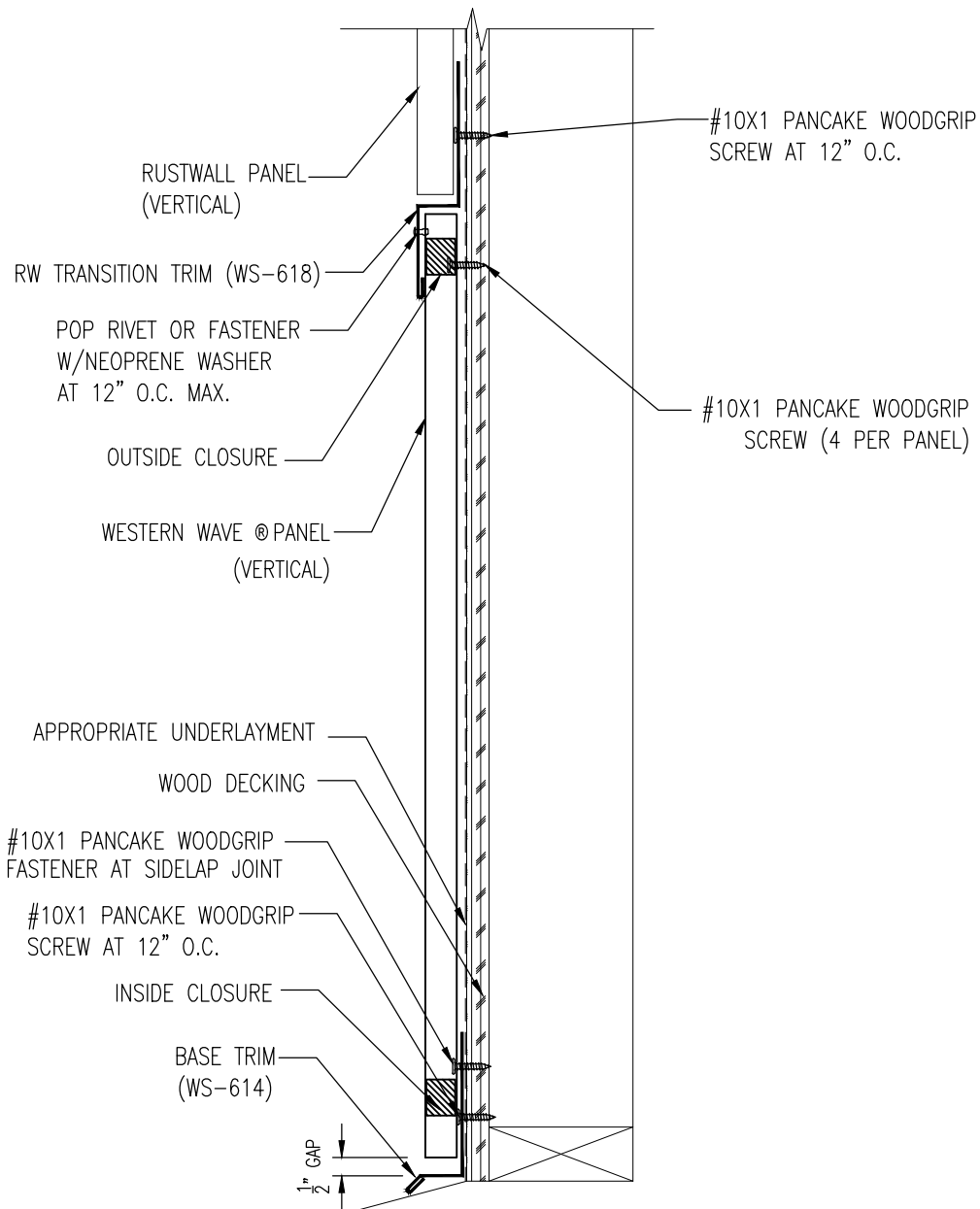


Western States Metal Roofing

901 W. Watkins St.
 Phoenix, AZ 85007
www.MetalForRoofing.com
www.RustedRoofing.com
www.MetalDeck.com

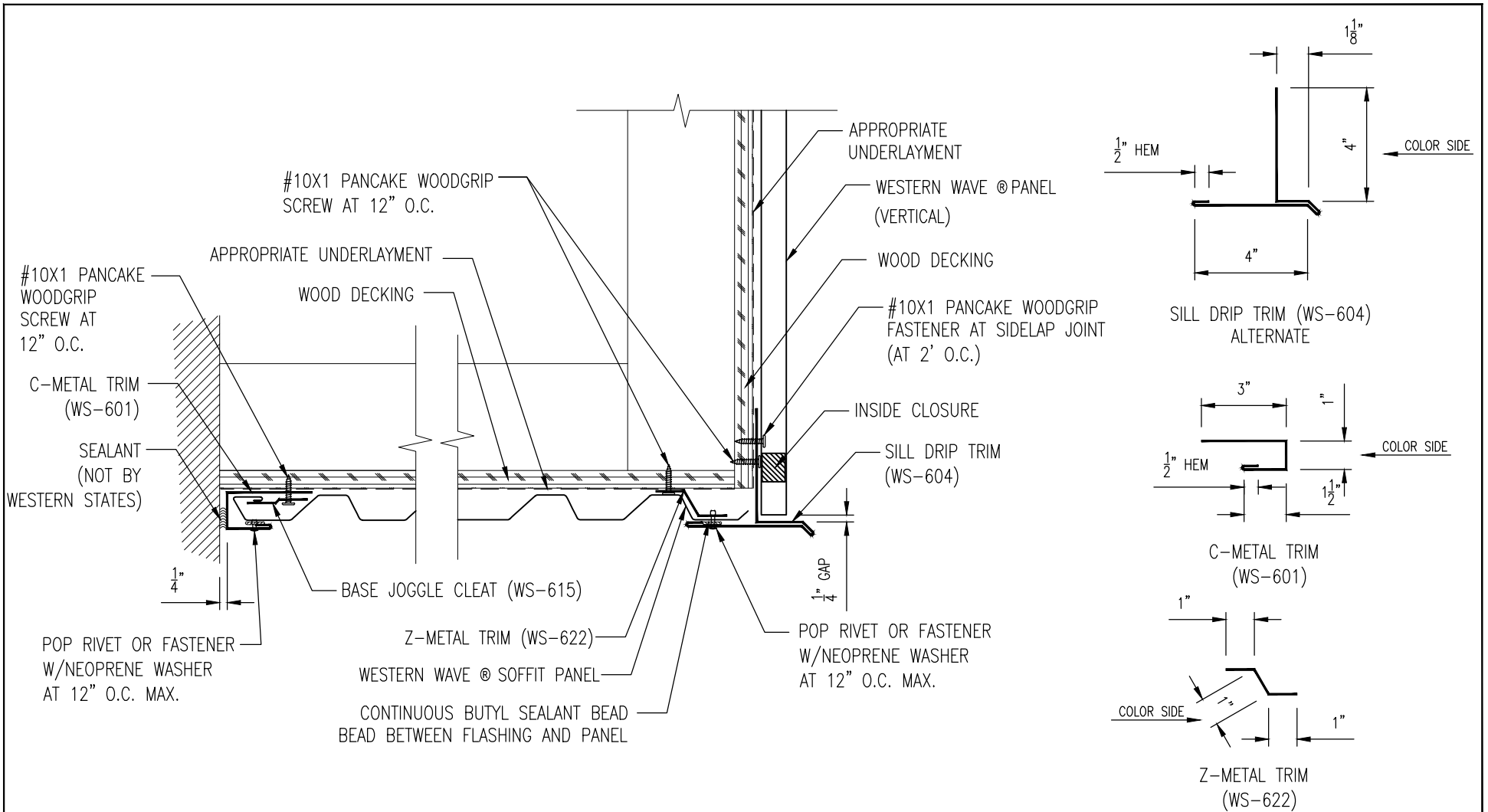
Phone: (602) 495-0048
 Fax: (602) 261-7726
 877-PURLINS (787-5467)

GAUGE: _____	COLOR: _____
LENGTH: _____	FINISH: _____
MATERIAL: _____	
WAINSCOT TRANSITION DETAIL (WESTERN WAVE TO 7/8" CORRUGATED PANEL)	
A	12-27-2017
REV:	DATE:
PANEL TYPE: WESTERN WAVE ® PANEL (VERTICAL)	DETAIL #: WP-WSD-W16



GAUGE: _____	COLOR: _____
LENGTH: _____	FINISH: _____
MATERIAL: _____	
WAINSCOT TRANSITION DETAIL (WESTERN WAVE TO RUSTWALL)	
A	12-27-2017
REV:	DATE:
PANEL TYPE: WESTERN WAVE ® PANEL (VERTICAL)	DETAIL #: WP-WSD-W17

Western States Metal Roofing
 901 W. Watkins St. Phone: (602) 495-0048
 Phoenix, AZ 85007 Fax: (602) 261-7726
 www.MetalForRoofing.com 877-PURLINS (787-5467)
 www.RustedRoofing.com
 www.MetalDeck.com



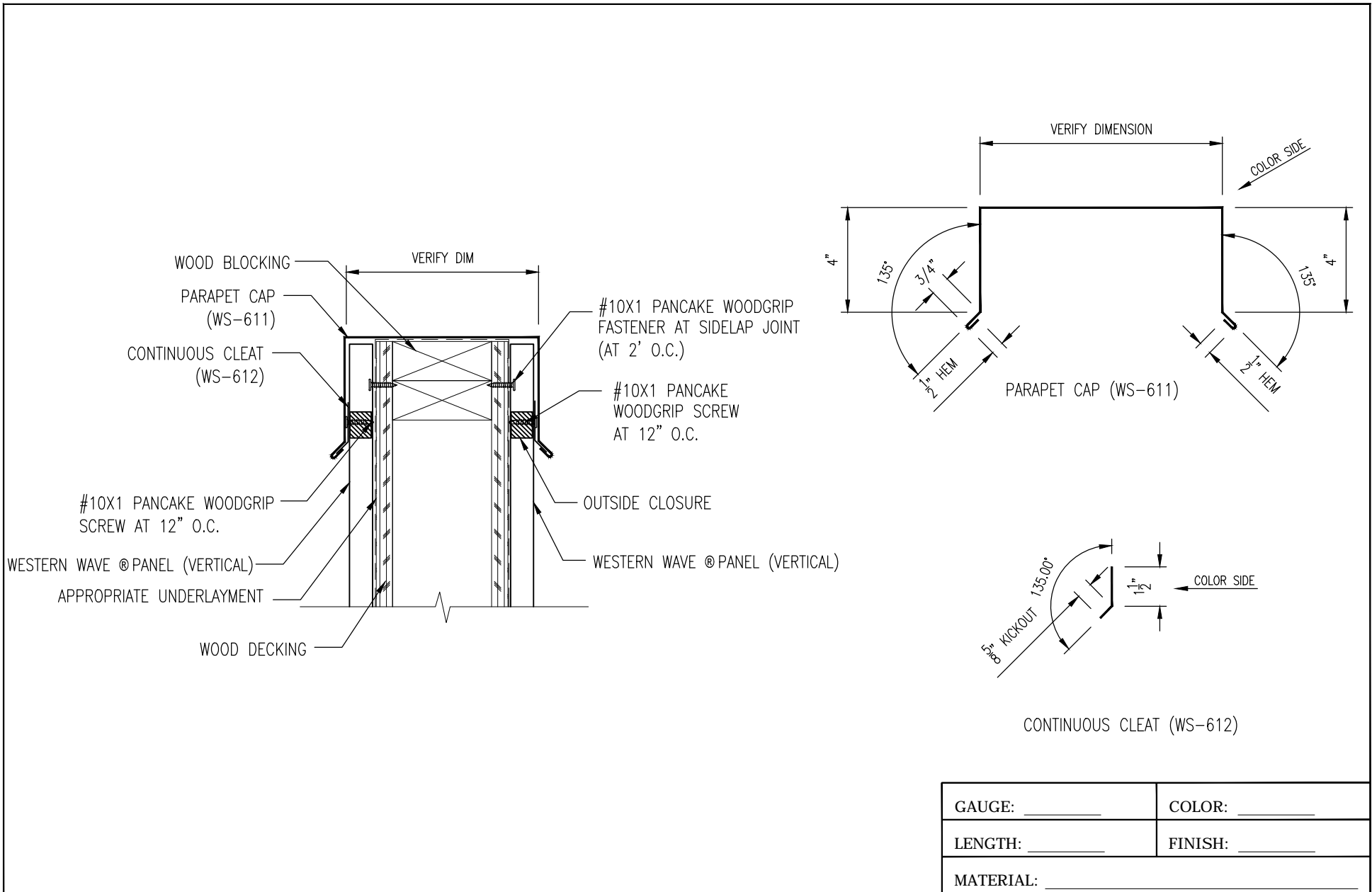
GAUGE: _____	COLOR: _____
LENGTH: _____	FINISH: _____
MATERIAL: _____	

Western States Metal Roofing

901 W. Watkins St.
 Phoenix, AZ 85007
www.MetalForRoofing.com
www.RustedRoofing.com
www.MetalDeck.com

Phone: (602) 495-0048
 Fax: (602) 261-7726
 877-PURLINS (787-5467)

SOFFIT TO WALL VERTICAL DETAIL	A	12-27-2017
	REV:	DATE:
PANEL TYPE: WESTERN WAVE @ PANEL (VERTICAL)	DETAIL #: WP-WSD-W18	

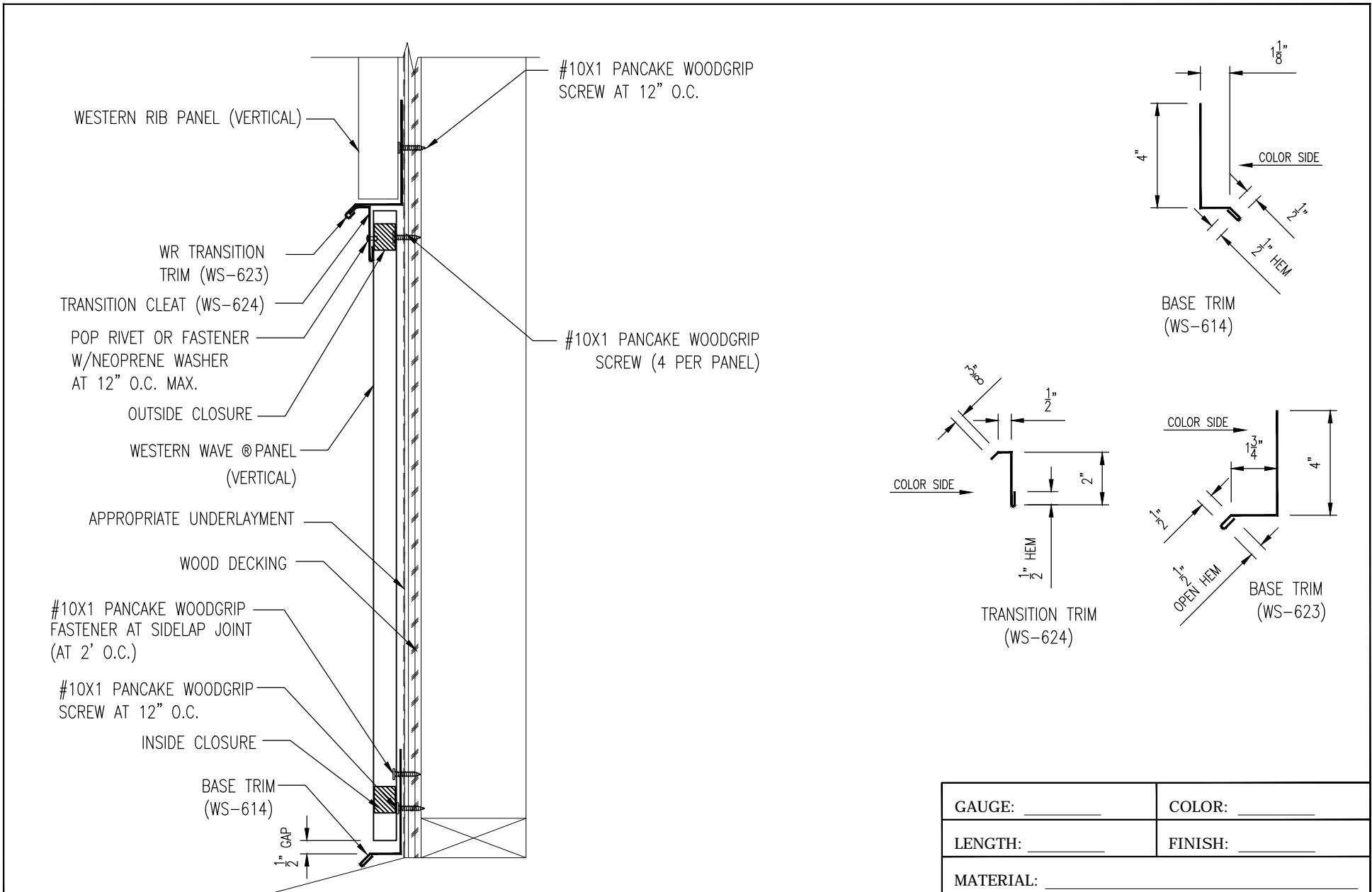


Western States Metal Roofing

901 W. Watkins St.
 Phoenix, AZ 85007
www.MetalForRoofing.com
www.RustedRoofing.com
www.MetalDeck.com

Phone: (602) 495-0048
 Fax: (602) 261-7726
 877-PURLINS (787-5467)

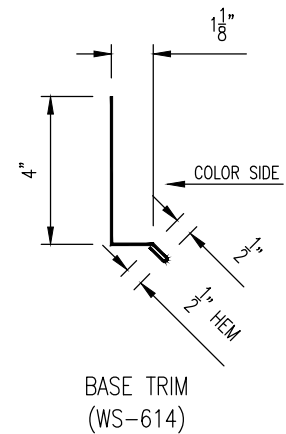
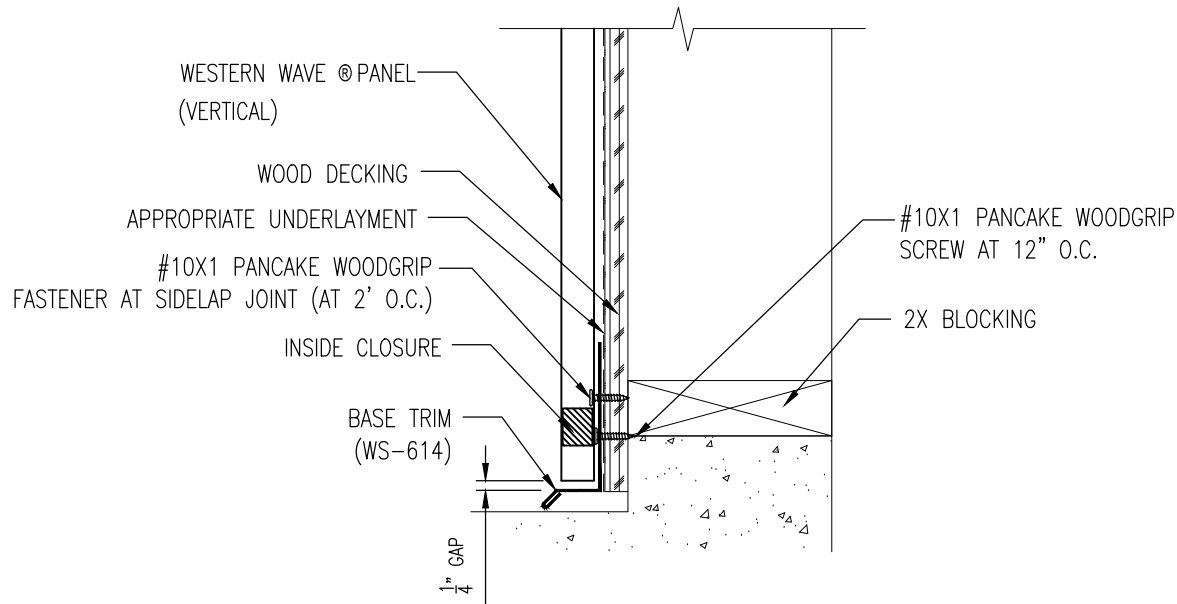
GAUGE: _____		COLOR: _____	
LENGTH: _____		FINISH: _____	
MATERIAL: _____			
PARAPET WALL VERTICAL DETAIL		A	12-27-2017
		REV:	DATE:
PANEL TYPE: WESTERN WAVE ® PANEL (VERTICAL)		DETAIL #: WP-WSD-W19	



GAUGE: _____	COLOR: _____
LENGTH: _____	FINISH: _____
MATERIAL: _____	

Western States Metal Roofing
 901 W. Watkins St. Phone: (602) 495-0048
 Phoenix, AZ 85007 Fax: (602) 261-7726
 www.MetalForRoofing.com 877-PURLINS (787-5467)
 www.RustedRoofing.com
 www.MetalDeck.com

WAINSCOT TRANSITION DETAIL (WESTERN WAVE TO WESTERN RIB DETAIL)		
	A	12-27-2017
PANEL TYPE: WESTERN WAVE ® PANEL (VERTICAL)	REV:	DATE:
	DETAIL #: WP-WSD-W20	

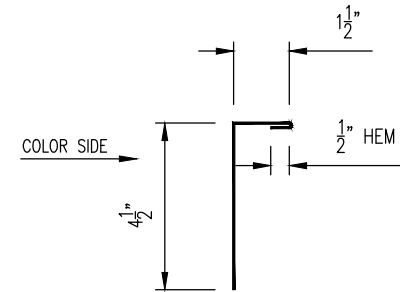
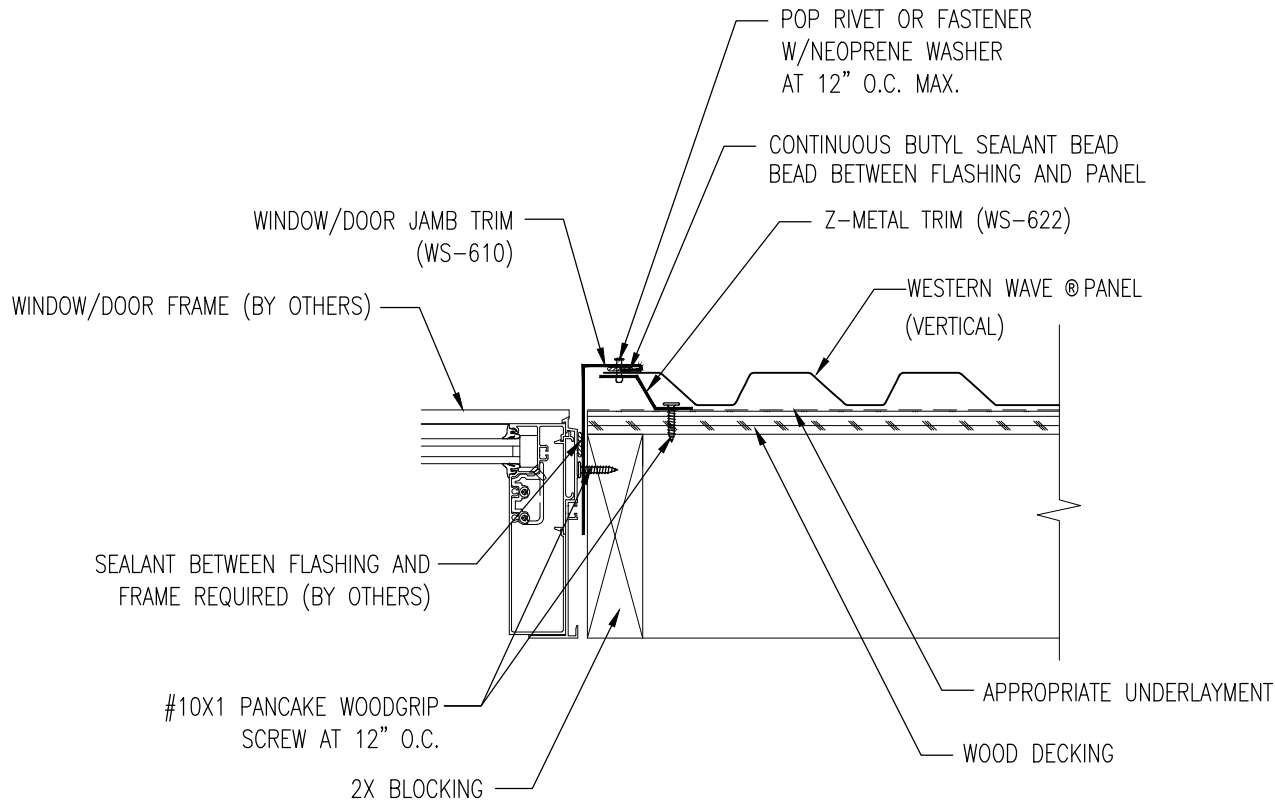


GAUGE: _____	COLOR: _____
LENGTH: _____	FINISH: _____
MATERIAL: _____	
ALTERNATE BASE VERTICAL DETAIL	
	A 12-27-2017
PANEL TYPE: WESTERN WAVE ® PANEL (VERTICAL)	REV: _____ DATE: _____
	DETAIL #: WP-WSD-W21

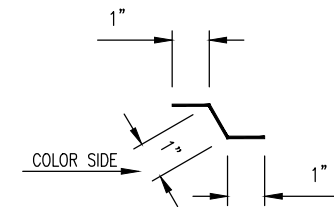
Western States Metal Roofing

901 W. Watkins St.
Phoenix, AZ 85007
www.MetalForRoofing.com
www.RustedRoofing.com
www.MetalDeck.com

Phone: (602) 495-0048
Fax: (602) 261-7726
877-PURLINS (787-5467)



WINDOW/DOOR JAMB TRIM
(WS-610)



Z-METAL TRIM
(WS-622)

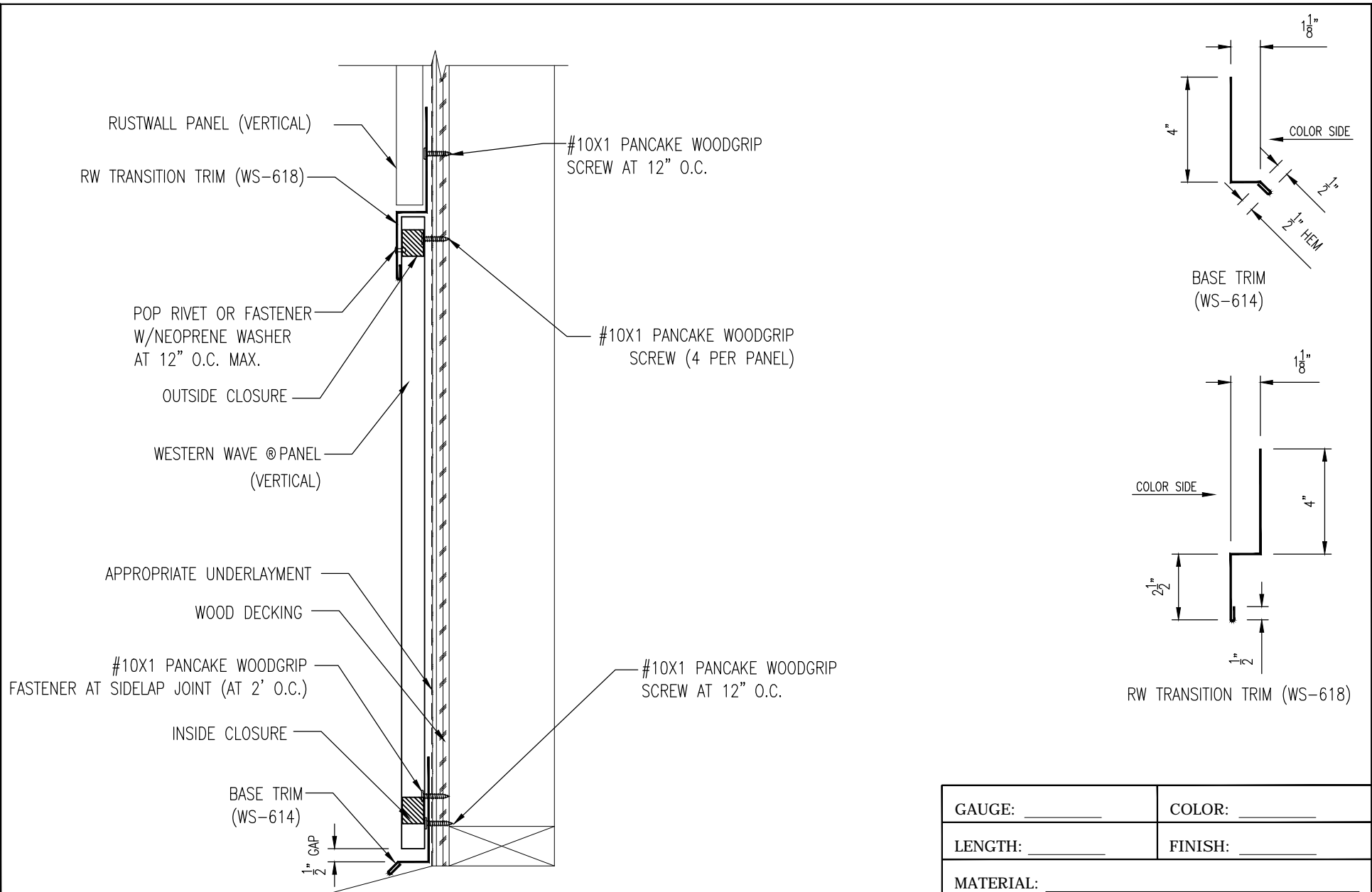
GAUGE: _____	COLOR: _____
LENGTH: _____	FINISH: _____
MATERIAL: _____	

Western States Metal Roofing

901 W. Watkins St.
Phoenix, AZ 85007
www.MetalForRoofing.com
www.RustedRoofing.com
www.MetalDeck.com

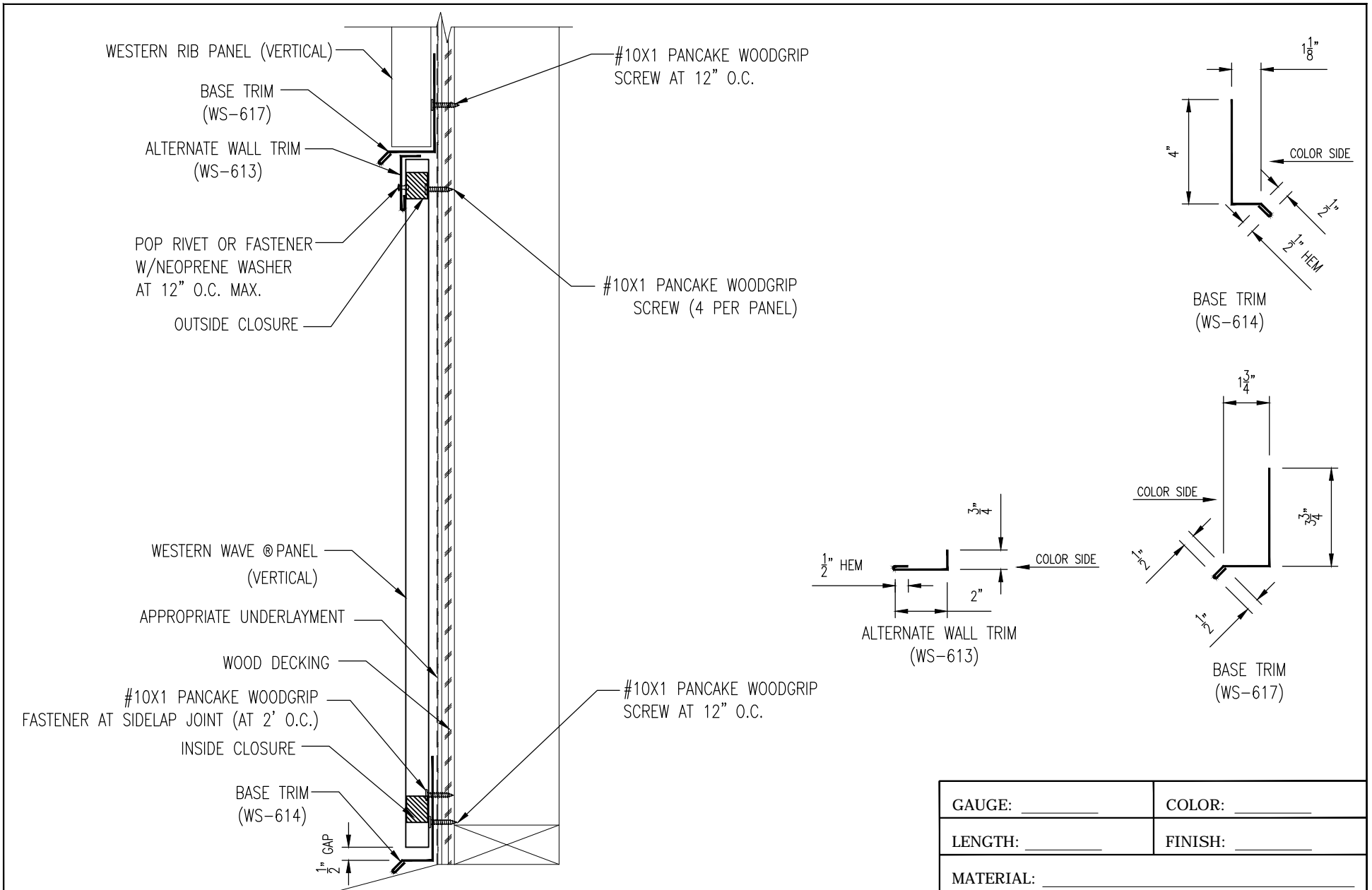
Phone: (602) 495-0048
Fax: (602) 261-7726
877-PURLINS (787-5467)

WINDOW / DOOR SILL VERTICAL DETAIL		
	A	12-27-2017
PANEL TYPE: WESTERN WAVE ® PANEL (VERTICAL)	REV:	DATE:
	DETAIL #:	WP-WSD-W22



GAUGE: _____	COLOR: _____
LENGTH: _____	FINISH: _____
MATERIAL: _____	
WAINSCOAT TRANSITION DETAIL (WESTERN WAVE TO RUSTWALL)	
A	12-27-2017
REV:	DATE:
PANEL TYPE: WESTERN WAVE ® PANEL (VERTICAL)	DETAIL #: WP-WSD-W23

Western States Metal Roofing
 901 W. Watkins St. Phone: (602) 495-0048
 Phoenix, AZ 85007 Fax: (602) 261-7726
 www.MetalForRoofing.com 877-PURLINS (787-5467)
 www.RustedRoofing.com
 www.MetalDeck.com

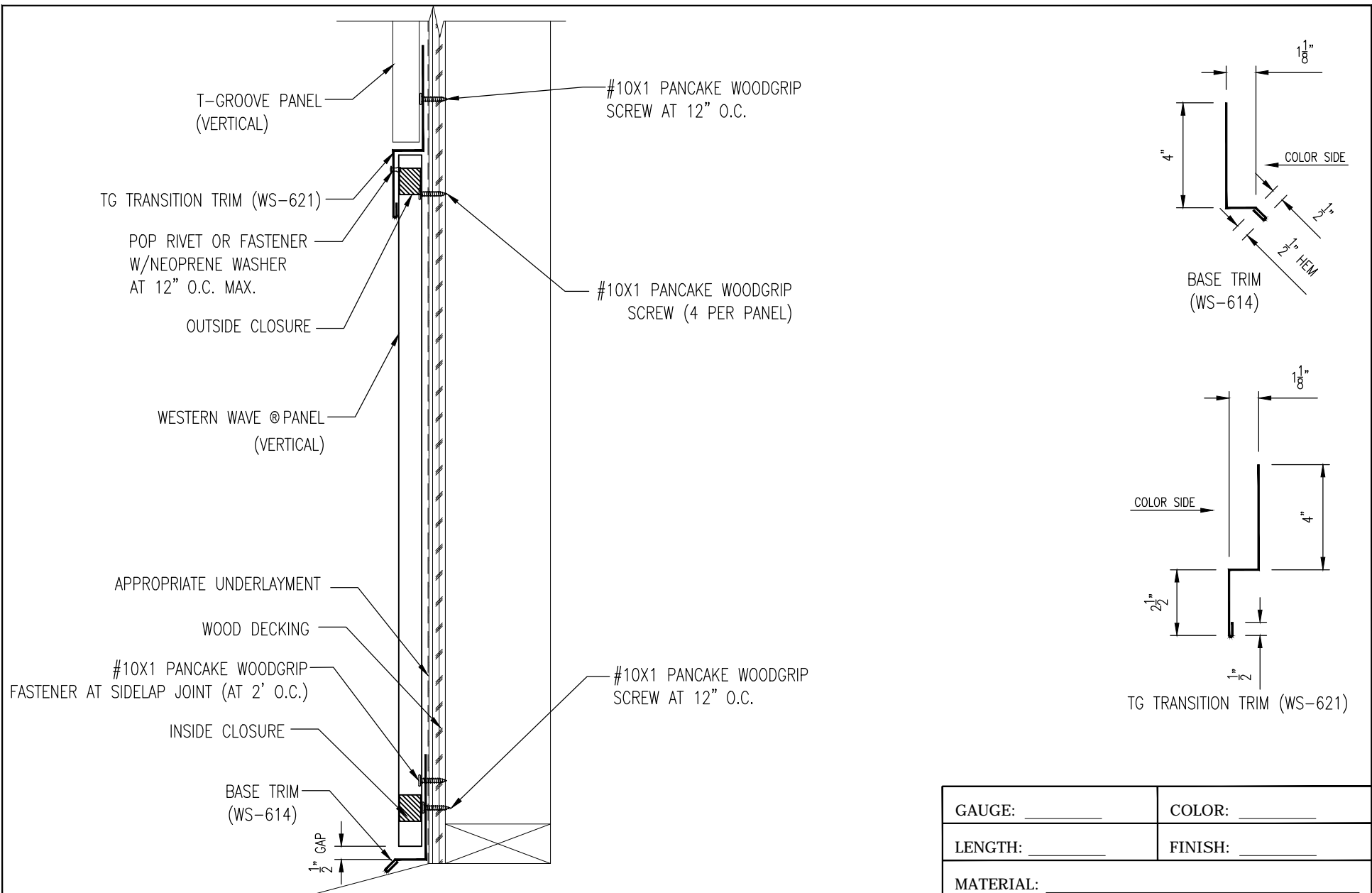


Western States Metal Roofing

901 W. Watkins St.
 Phoenix, AZ 85007
www.MetalForRoofing.com
www.RustedRoofing.com
www.MetalDeck.com

Phone: (602) 495-0048
 Fax: (602) 261-7726
 877-PURLINS (787-5467)

GAUGE: _____	COLOR: _____
LENGTH: _____	FINISH: _____
MATERIAL: _____	
ALTERNATE WAINSCOT TRANSITION DETAIL (WESTERN WAVE TO WESTERN RIB PANEL)	
A	12-27-2017
REV:	DATE:
PANEL TYPE: WESTERN WAVE @ PANEL (VERTICAL)	DETAIL #: WP-WSD-W24

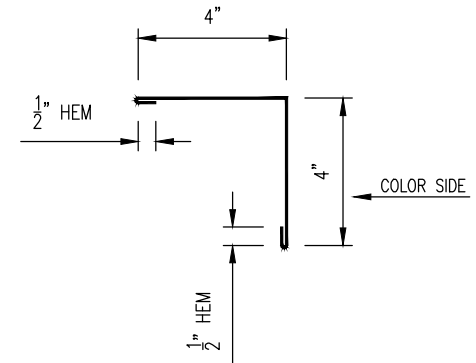
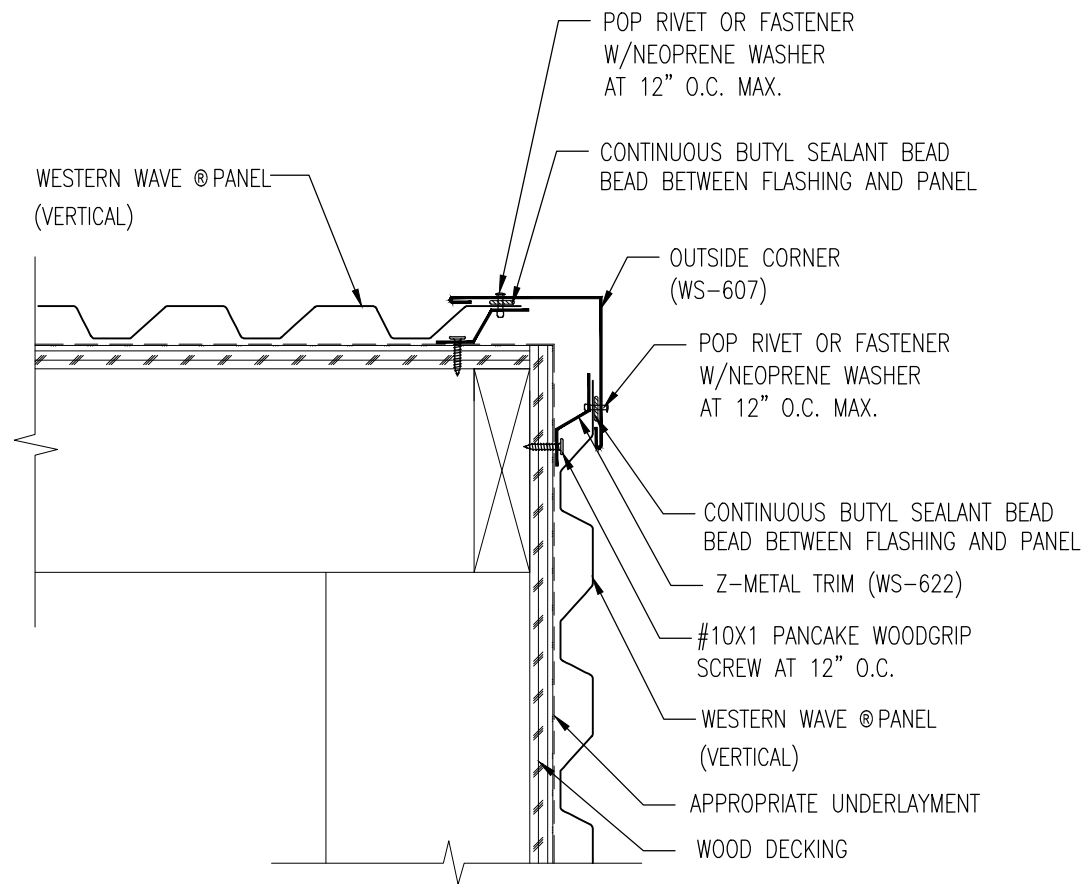


GAUGE: _____	COLOR: _____
LENGTH: _____	FINISH: _____
MATERIAL: _____	
WAINSCOAT TRANSITION DETAIL (WESTERN WAVE TO T-GROOVE)	
A	12-27-2017
REV:	DATE:
PANEL TYPE: WESTERN WAVE ® PANEL (VERTICAL)	DETAIL #: WP-WSD-W25

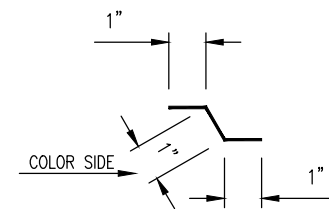
Western States Metal Roofing

901 W. Watkins St.
 Phoenix, AZ 85007
www.MetalForRoofing.com
www.RustedRoofing.com
www.MetalDeck.com

Phone: (602) 495-0048
 Fax: (602) 261-7726
 877-PURLINS (787-5467)



OUTSIDE CORNER
(WS-607)



Z-METAL TRIM
(WS-622)

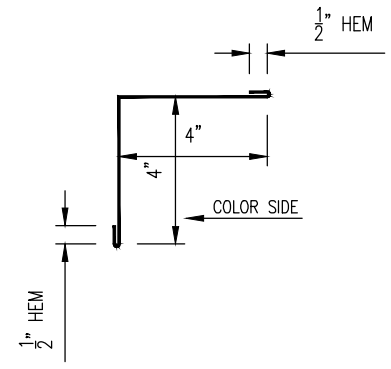
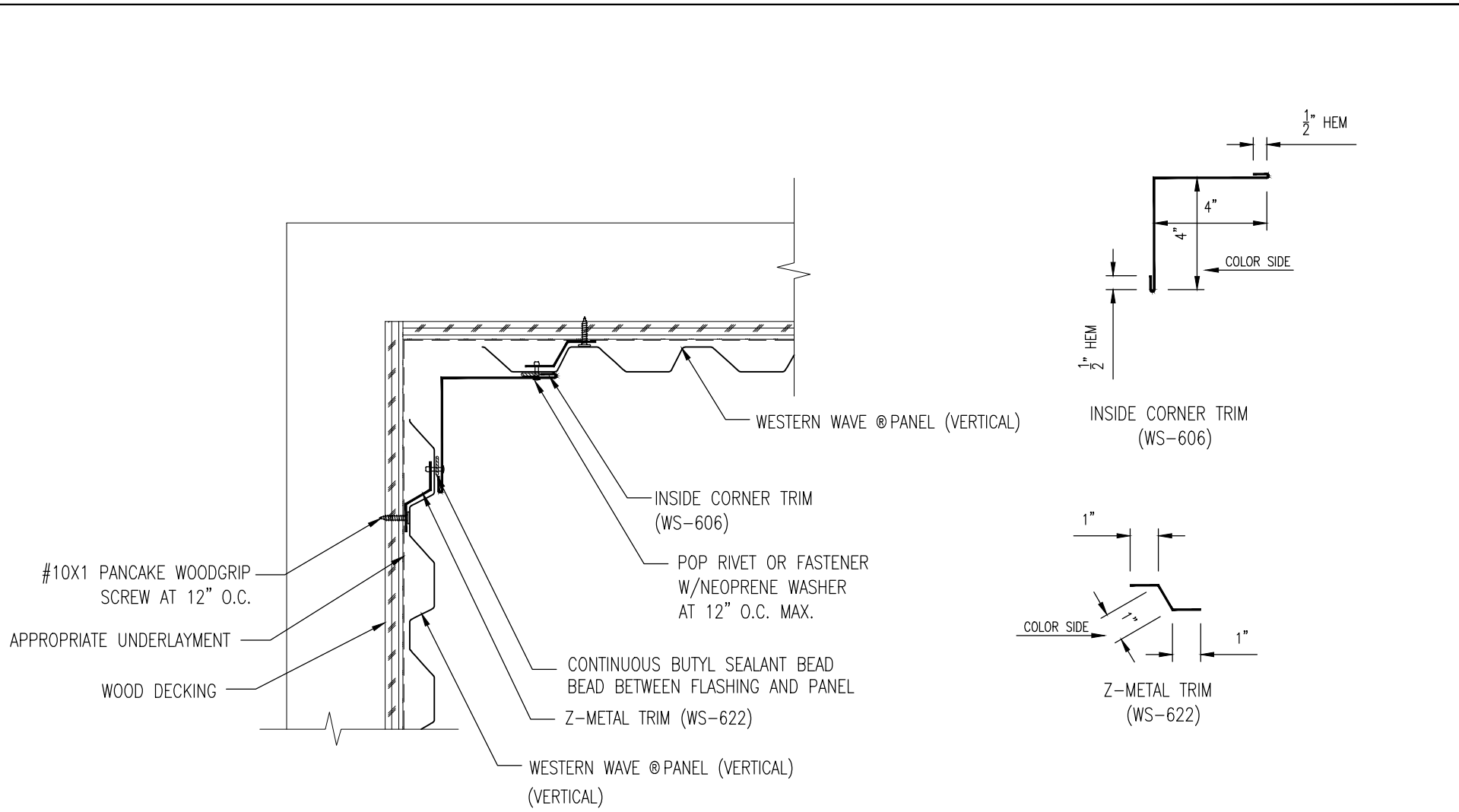
GAUGE: _____	COLOR: _____
LENGTH: _____	FINISH: _____
MATERIAL: _____	

Western States Metal Roofing

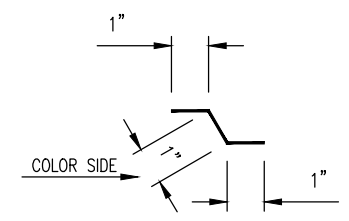
901 W. Watkins St.
Phoenix, AZ 85007
www.MetalForRoofing.com
www.RustedRoofing.com
www.MetalDeck.com

Phone: (602) 495-0048
Fax: (602) 261-7726
877-PURLINS (787-5467)

OUTSIDE CORNER VERTICAL DETAIL		
	A	12-27-2017
PANEL TYPE: WESTERN WAVE ® PANEL (VERTICAL)	REV:	DATE:
	DETAIL #: WP-WSD-W26	



INSIDE CORNER TRIM (WS-606)



Z-METAL TRIM (WS-622)

GAUGE: _____	COLOR: _____
LENGTH: _____	FINISH: _____
MATERIAL: _____	

Western States Metal Roofing

901 W. Watkins St.
 Phoenix, AZ 85007
www.MetalForRoofing.com
www.RustedRoofing.com
www.MetalDeck.com

Phone: (602) 495-0048
 Fax: (602) 261-7726
 877-PURLINS (787-5467)

INSIDE CORNER VERTICAL DETAIL		
	A	12-27-2017
PANEL TYPE: WESTERN WAVE ® PANEL (VERTICAL)	REV:	DATE:
	DETAIL #: WP-WSD-W27	

CUSTOM TRIM

GAUGE: _____	COLOR: _____	
BREAKS: _____	FINISH: _____	
LENGTH: _____	STRETCH OUT: _____	
MATERIAL: _____		
CUSTOM TRIM NAME: _____		
	A	12-27-2017
PANEL TYPE: WESTERN WAVE	REV:	DATE:
	DETAIL #: WP-WSD-CT29	

Western States Metal Roofing

901 W. Watkins St.
 Phoenix, AZ 85007
www.MetalForRoofing.com
www.RustedRoofing.com
www.MetalDeck.com

Phone: (602) 495-0048
 Fax: (602) 261-7726
 877-PURLINS (787-5467)

Western States "Western Wave ®" Panel Installation, Flashings & Shop Drawing Detail Guide

Special Design Considerations

The details contained in this guide are proven industry details and are intended to be used as a design aid and installation guide. It does not depict all situations that may be encountered on all projects. Modifications are the responsibility of the designer/ owner/ installer.

Consideration should be given for Fit for Purpose, Building use, Climate conditions such as temperature, snow, wind, and moisture, Governing Building Codes, and Maintenance.

It is highly recommended that all trims and flashings be of the same material as the panels (metal, gauge, finish) to ensure long term performance and durability. Where possible, flashing edges should be hemmed to strengthen the edge and protect the cut edge from exposure.

Acceptance

Use of this manual is strictly voluntary. Details that are provided are to be used as a guide only. Details may not be applicable for all situations. This guide provides one standard detail and WSDI accepts that other installation details may be needed and other details may exist. WSDI makes no guarantee as to the Weather Tightness of the system or details found with in this guide. The information in this manual is believed to be correct and accurate at the time of printing. WSDI reserves the right to change details, discontinue products, change designs at any time without incurring obligation. It is best to consult your Design Engineer for recommendations.

Underlayment

There are many types of underlayment's on the market today. All designed with a special purpose depending on the type of Metal and profile. Many different types of metal will require a different type of underlayment, such as A606-4 (Corten) which requires a High Temperature underlayment. It is best to consult your Design Engineer for recommendations.

Snow Design

Design and dimension must be the proper width to accommodate high snow, rain, ice, and slope conditions. If possible, splices, penetrations, should be minimized in areas of high snow and ice accumulations. Details found in this manual may not pertain in areas of high snow and ice accumulations.

Panel coverage and fastening

Normal panel width of Western Wave panels are 16". Please consult with your WSDI representative for details and fastening recommendations.

Safety and Maintenance

Extreme care should always be used when working with metals. Safety should always be a top priority and approved fall protection and equipment as approved by OSHA should always be used. No Structure is immune to severe weather or is completely maintenance free. To keep your Siding performing as it was designed; an inspection and comprehensive maintenance program should be implemented.

References

For other installation techniques and details, The Sheet Metal and Air Conditioning Contractors National Association Inc. (SMACNA) and NRCA manuals are great resource for working with sheet metal.

Technical Assistance

Contact your WSDI sales or technical representative for any additional information or assistance. To insure you have the latest information available, please inquire or visit our web sites at WWW.Metalforroofing.com



Finishes You've Never Seen Before®

WESTERN STATES METAL ROOFING

(877) 787-5467 • WESTERNSTATESMETALROOFING.COM

REQUEST A FREE METAL COLOR SAMPLE • Affordable Delivery throughout USA, Canada, and Mexico

Phoenix: 901 W Watkins St., Phoenix, AZ 85007

☎ (602) 495-0048

✉ sales@westernstatesmetalroofing.com

Tucson: 4975 E. Drexel Rd., Tucson, AZ 85706

☎ (520) 574-4247

✉ tucsonsales@westernstatesmetalroofing.com

Texas: 15023 County Rd 545, Nevada, TX 75173

☎ (972) 843-4343

✉ texas-sales@westernstatesmetalroofing.com

Washington: 3610 N. Barker Rd. STE C Spokane Valley, WA 99027

☎ (509) 418-2833

✉ washington-wsmr@westernstatesmetalroofing.com



www.facebook.com/westernstatesmetalroofing/



www.instagram.com/westernstatesmetalroofing/



www.twitter.com/weststatesmetal



www.youtube.com/westernstatesmetalroofing



www.linkedin.com/company/western-states-metal-roofing



www.pinterest.com/westernstatesmetalroofing/



www.houzz.com/pro/raynaann/western-states-metal-roofing