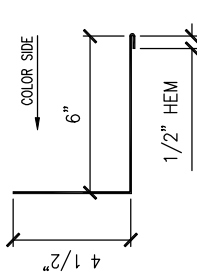
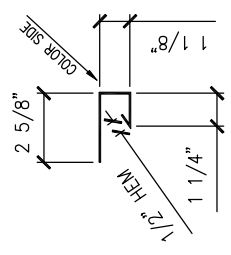
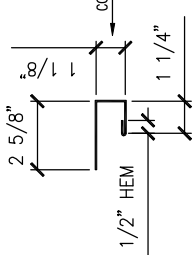
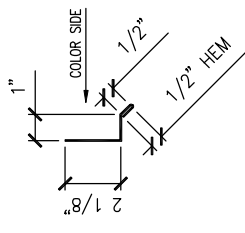
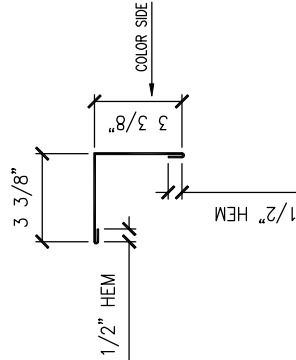
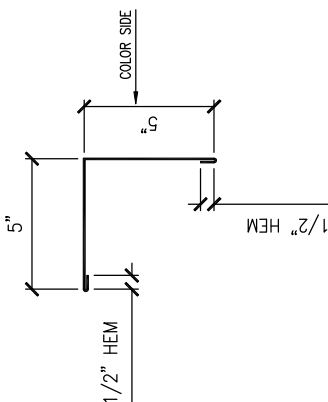
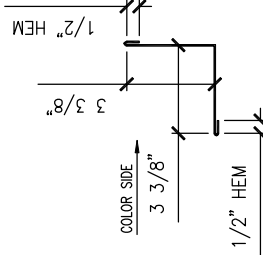
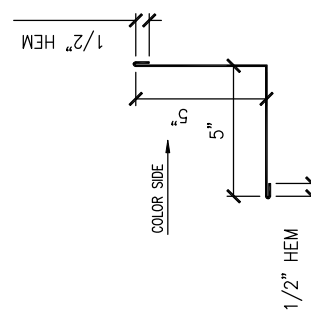
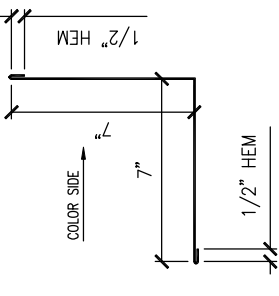
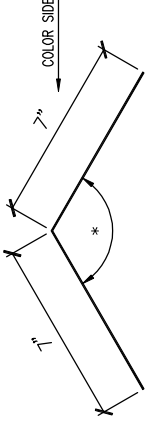
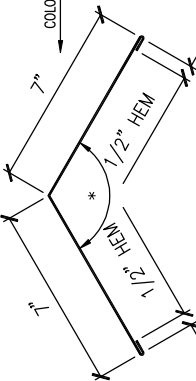
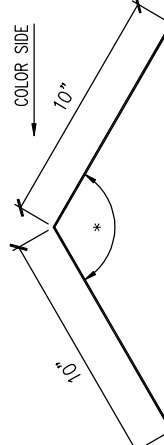


<p><b>EAVE FLASHING WS-4</b></p>	<p><b>MINI EAVE FLASHING WS-40</b></p>	<p><b>PITCH BREAK HIGH TO LOW WS-36</b></p>	<p><b>PITCH BREAK LOW TO HIGH WS-37</b></p>
<p><b>CUSTOM TRIM REGLET FLASHING WS-29</b></p>	<p><b>GABLE FLASHING WS-16-UGF</b></p>	<p><b>MINI GABLE FLASHING WS-41</b></p>	<p><b>PEAK/HIGH EAVE FLASHING WS-19</b></p>
<p><b>ENDWALL FLASHING WS-28</b></p>	<p><b>OVERSIZED VALLEY WS-23</b></p>	<p><b>STANDARD VALLEY WS-24</b></p>	<p><b>EXTENDED VALLEY WS-25</b></p>

**Western States Metal Roofing**  
 901 W. Watkins St.  
 Phoenix, AZ 85007  
 www.MetalForRoofing.com  
 www.RustedRoofing.com  
 www.MetalDeck.com

Phone: (602) 495-0048  
 Fax: (602) 261-7726  
 877-PURLINS (787-5467)

<b>STANDARD TRIM</b>		B	01-14-13
<b>7/8" Corrugated</b>		A	06-01-12
REVISIONS		REV:	DATE:
DETAIL #:		<b>WSD-ST5</b>	

<p><b>SIDEWALL FLASHING WS-7-78U</b></p> 	<p><b>JAMB TRIM WS-3-78U</b></p> 	<p><b>HEAD TRIM WS-8-78U</b></p> 	<p><b>BASE TRIM WS-6-78U</b></p> 
<p><b>OUTSIDE CORNER WS-47-UOC</b></p> 	<p><b>OUTSIDE CORNER WS-55-UOC</b></p> 	<p><b>INSIDE CORNER WS-46-UIC</b></p> 	<p><b>INSIDE CORNER WS-56-UIC</b></p> 
<p><b>INSIDE CORNER WS-77-UIC</b></p> 	<p><b>RIDGE/HIP CAP WS-5</b></p> 	<p><b>RIDGE/HIP CAP WS-5H</b></p> 	<p><b>RIDGE/HIP CAP WS-20</b></p> 

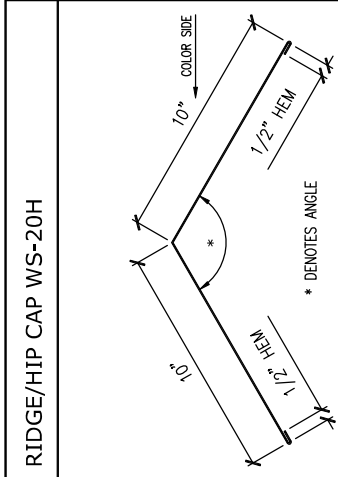
**Western States Metal Roofing**  
 901 W. Watkins St.  
 Phoenix, AZ 85007  
 www.MetalForRoofing.com  
 www.RustedRoofing.com  
 www.MetalDeck.com

Phone: (602) 495-0048  
 Fax: (602) 261-7726  
 877-PURLINS (787-5467)

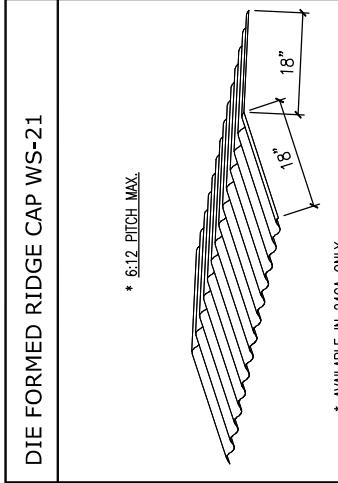
**STANDARD TRIM**  
 PANEL TYPE: **7/8" Corrugated**

B	01-14-13
A	06-01-12
REV:	DATE:
DETAIL #:	

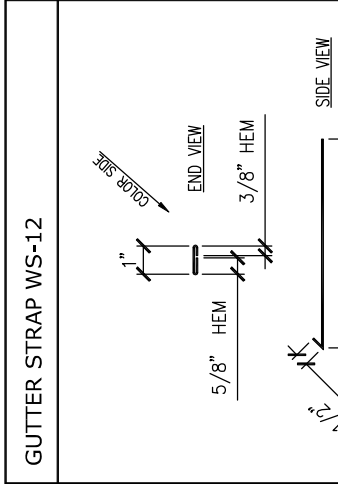
**WSD-ST6**



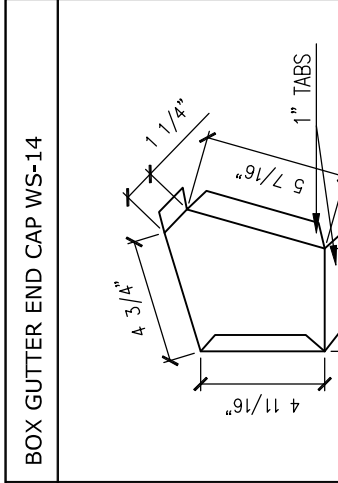
RIDGE/HIP CAP WS-20H



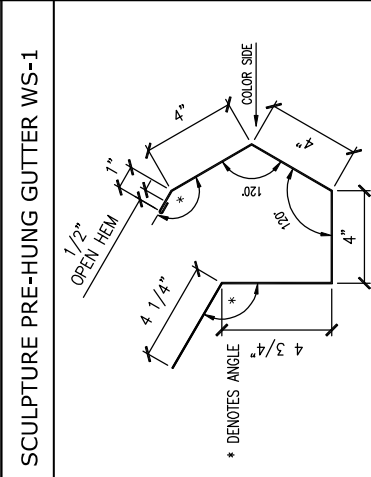
DIE FORMED RIDGE CAP WS-21



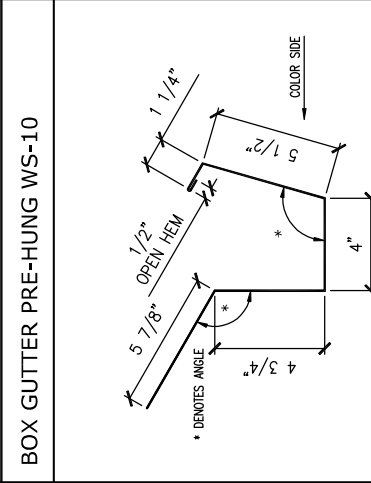
GUTTER STRAP WS-12



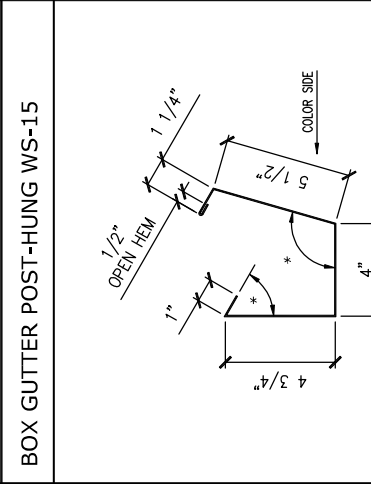
BOX GUTTER END CAP WS-14



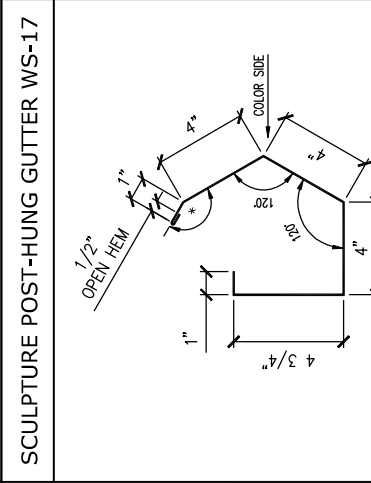
SCULPTURE PRE-HUNG GUTTER WS-1



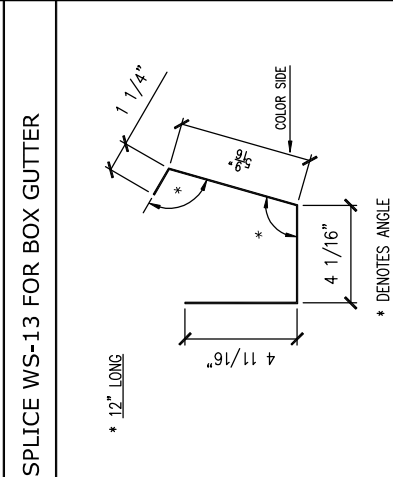
BOX GUTTER PRE-HUNG WS-10



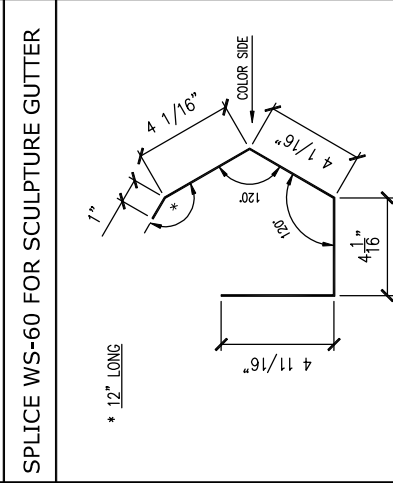
BOX GUTTER POST-HUNG WS-15



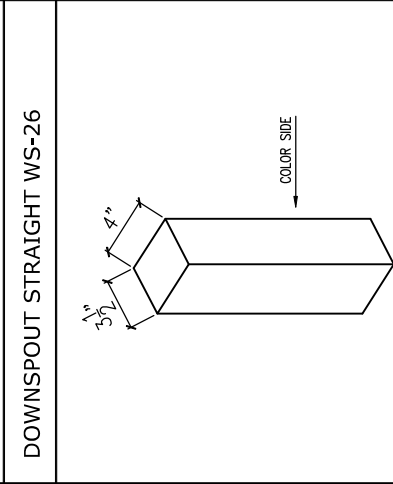
SCULPTURE POST-HUNG GUTTER WS-17



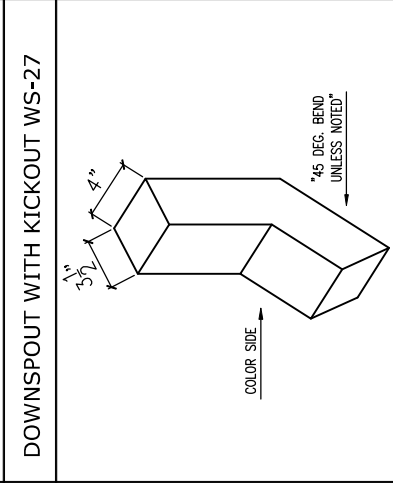
SPLICE WS-13 FOR BOX GUTTER



SPLICE WS-60 FOR SCULPTURE GUTTER



DOWNSPOUT STRAIGHT WS-26



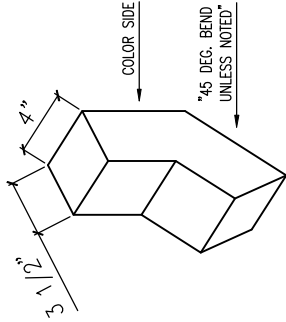
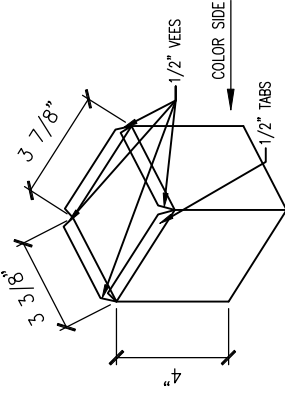
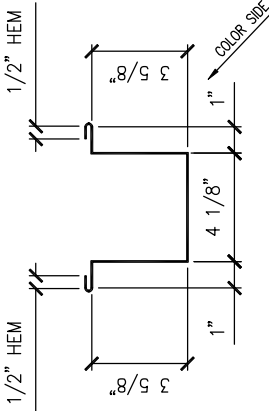
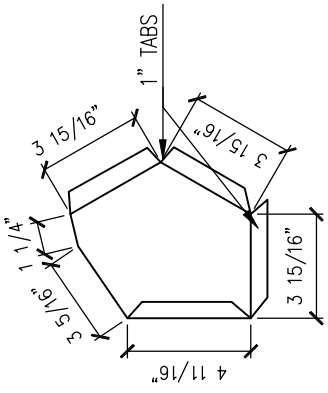
DOWNSPOUT WITH KICKOUT WS-27

# Western States Metal Roofing

901 W. Watkins St.  
 Phoenix, AZ 85007  
 www.MetalForRoofing.com  
 www.RustedRoofing.com  
 www.MetalDeck.com

Phone: (602) 495-0048  
 Fax: (602) 261-7726  
 877-PURLINS (787-5467)

STANDARD TRIM		B	01-14-13
		A	06-01-12
REVISIONS		REV:	DATE:
PANEL TYPE:		DETAIL #:	
7/8" Corrugated		WSD-ST7	

<p><b>DOWNSPOUT ELBOW WS-43</b></p> 	<p><b>DOWNSPOUT OUTLET WS-75</b></p> 	<p><b>DOWNSPOUT STRAP WS-42</b></p> 	<p><b>SCULPTURE GUTTER END CAP WS-49</b></p> 
---	---	--	---

**Western States Metal Roofing**  
 901 W. Watkins St.  
 Phoenix, AZ 85007  
[www.MetalForRoofing.com](http://www.MetalForRoofing.com)  
[www.RustedRoofing.com](http://www.RustedRoofing.com)  
[www.MetalDeck.com](http://www.MetalDeck.com)

Phone: (602) 495-0048  
 Fax: (602) 261-7726  
 877-PURLINS (787-5467)

<b>STANDARD TRIM</b>	
B	01-14-13
A	06-01-12
REV:	DATE:
DETAIL #:	
<b>7/8" Corrugated</b>	
<b>WSD-ST8</b>	