

High Pressure End Cap Alignment Tool (Part Number 110393)

Purpose:	When High Pressure End Caps are installed on your Jet Edge Intensifier Pump at the factory, great care is taken to align the High Pressure End Cap to the Hydraulic End Block. Failure to align the plunger and evenly torque the High Pressure End Cap causes the end cap to become misaligned. This misalignment leads to reduced High Pressure Seal life and much higher maintenance costs. <i>See figure 1.</i> The Jet Edge High Pressure End Cap Alignment Tool is now available for your maintenance team.
Systems:	The HP End Cap Alignment Tool is designed to work on all Jet Edge Intensifier Pumps including those with round end caps, square end caps, and xP Series end caps.
Details:	The HP End Cap Alignment Tool Kit includes one precision CNC machined, tight tolerance HP End Cap Alignment Tool and a detailed set of instructions explaining how to use the tool for any Jet Edge Intensifier Pump. Visit our Resource Center online at JetEdgeWaterjets.com and view the Generation III High Pressure Seal Change Maintenance Video to learn how to use the Alignment Tool and improve the quality and efficiency of changing seals.
Benefit:	Incorporating the use of the HP End Cap Alignment Tool ensures plunger alignment and reduces seal change time. Down time is also minimized in your shop by properly utilizing the HP End Cap Alignment Tool. Not only will you be able to align your High Pressure End Caps faster and more precisely, you can reap the benefits of longer High Pressure Seal service life that keeps your machines running and making money.
Order Now:	Call 1-800-JET-EDGE and ask for Parts Sales to learn more about this Technical Bulletin. To order your HP End Cap Alignment Tool contact Parts Sales or order online at https://waterjetparts.jetedge.com .

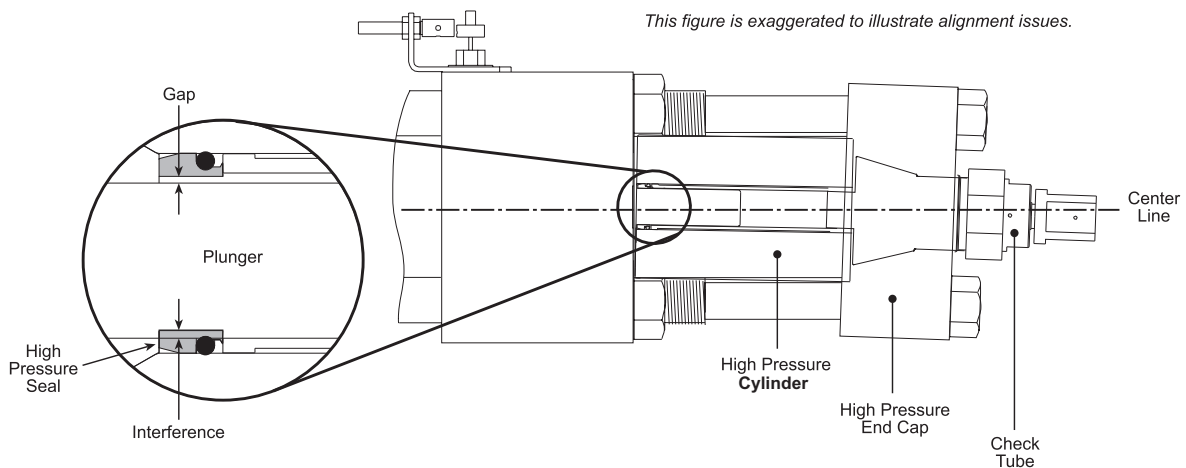


FIGURE 1

