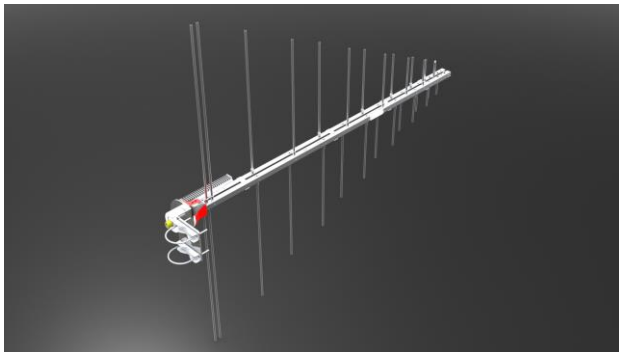
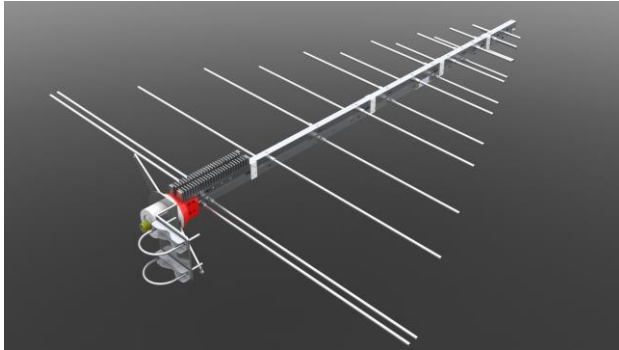


## SPECIFICATIONS:



<b>Electrical:</b>	
Frequency range	100 – 500 MHz
VSWR	1.5:1 typical, and < 2.5:1 over the band
Nominal input impedance	50 Ω
Feed power handling	1 kW
Gain on horizon	7 dBi typical
E-plane 3 dB beamwidth	60° typical
H-plane 3 dB beamwidth	110° typical
Polarisation	Linear, adjustable, vertical and horizontal
Connectors	7/16 female
MTBF	50,000 hrs
<b>Mechanical:</b>	
Dimensions (l x w)	1920 mm x 1700 mm
Material	Aluminium, stainless steel, fibreglass
Total mass	7 kg
Mounting	Back mounting (see photos) U-bolts supplied for 60 – 100 mm mast
<b>Environmental: designed to meet the following specifications</b>	
Wind survival on mast	160 km/h (calculated)
Temperature range	- 30 °C to + 65 °C

## PRODUCT FEATURES:

- Low VSWR and high gain over the frequency band
- High feed power handling of 1 kW
- Vertical and horizontal polarisation
- Easy to assemble and disassemble
- Rugged construction
- Easily adjustable polarisation

## PRODUCT APPLICATIONS:

- Wideband monitoring and high-power applications

## PRODUCT DESCRIPTION:

This LPDA is a directional log-periodic dipole array that covers the 100 to 500 MHz frequency band at 1 kW of feed power with a typical gain of 7 dBi.

Polarisation is adjustable between vertical and horizontal without lowering the mast via a swivel mounting bracket.

This antenna can be customized for frequencies in a wideband of frequencies with excellent gain, VSWR and higher power handling.

## RELATED PRODUCT:

LPDA-A0054: mounting at the centre

# High-Power LPDA

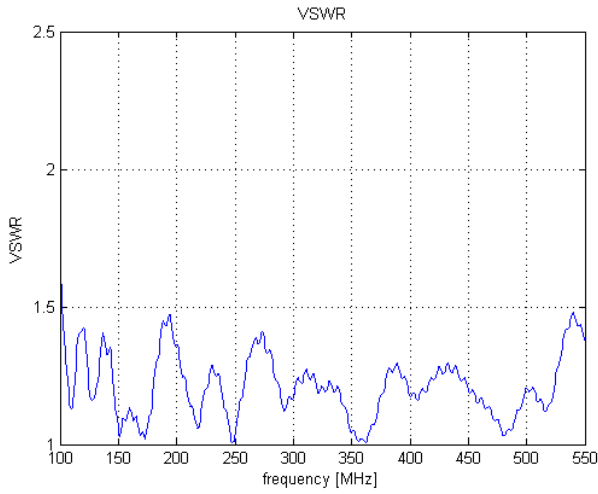
100 – 500 MHz

Product Code: LPDA-A0030

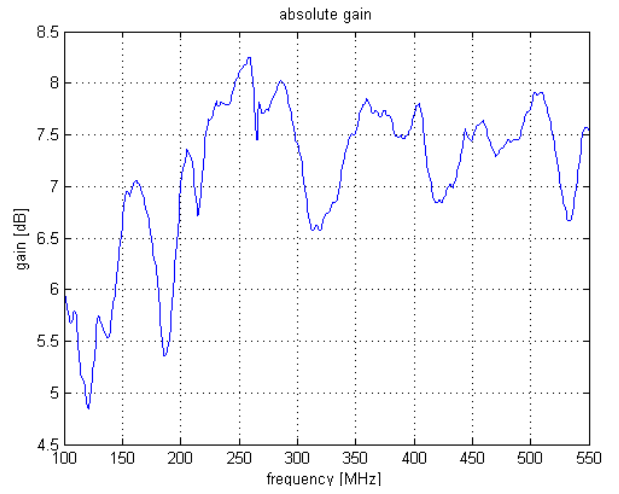
VERSION: 5.6

## VSWR AND GAIN GRAPHS:

### MEASURED VSWR

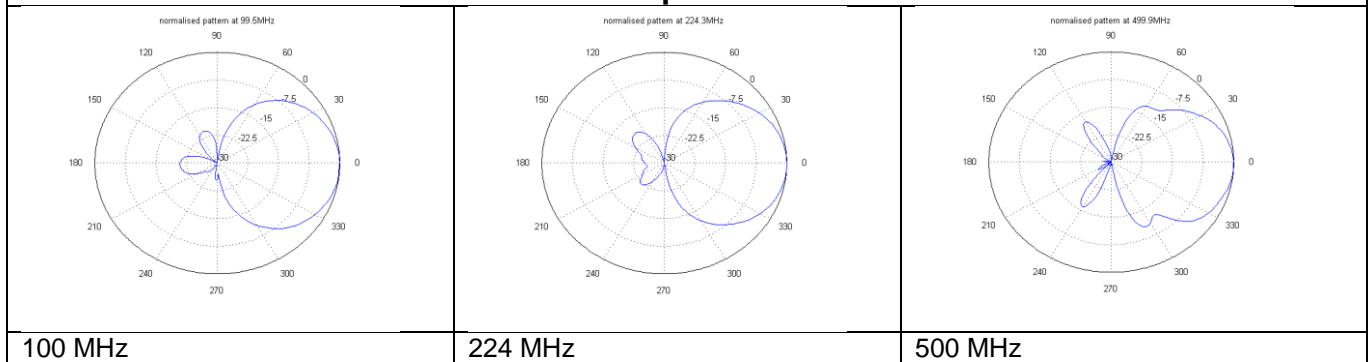


### MEASURED GAIN

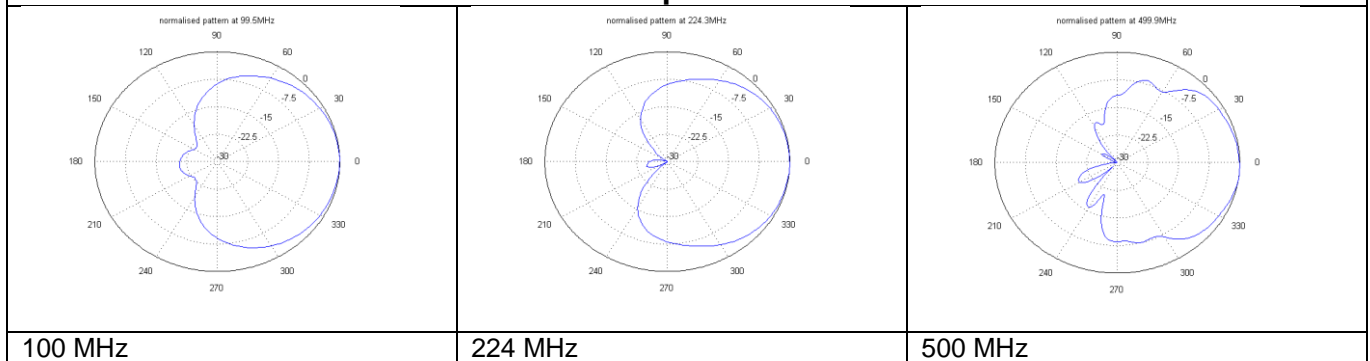


## Normalised radiation patterns

### E-plane



### H-plane



**AUTHORIZED USA DISTRIBUTION BY:**

Cyntony Corporation  
195 Follen Road  
Lexington, Massachusetts  
sales@cyntony.com  
781-430-0675



**GAIN THE ADVANTAGE**

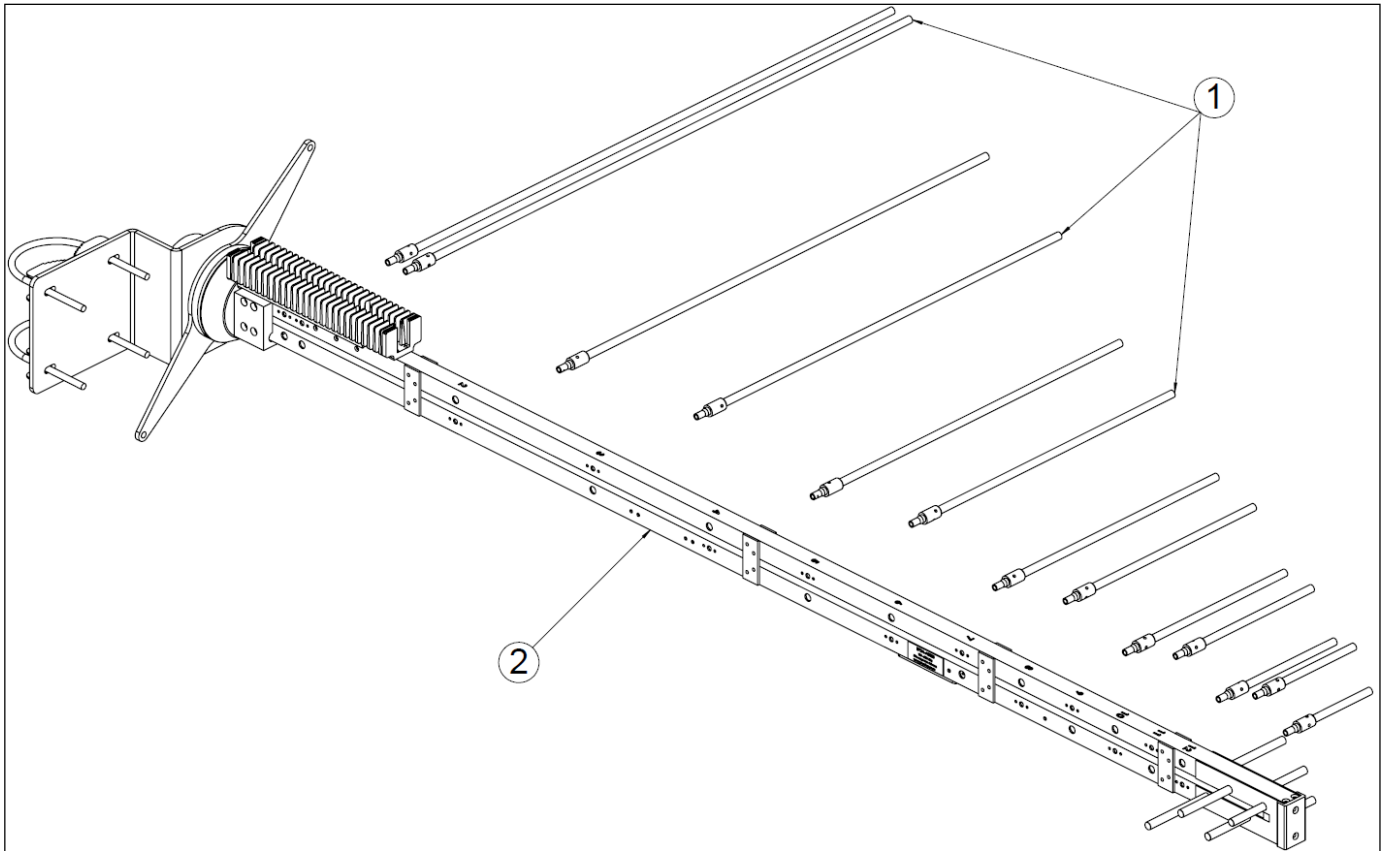
# High-Power LPDA

100 – 500 MHz

Product Code: LPDA-A0030

VERSION: 5.6

**EXPLODED VIEW OF LPDA-A0030** (only one side elements shown):



No	Product order code	Description	Contents
1	MISC-A0038	Spare element kit for LPDA-A0030	Complete set of elements, 2 of each, 26 total 1 off element bag (not shown)
2	MISC-A0073-01	Spare boom section for LPDA-A0030	1 off LPDA-A0030 boom section, 7/16 connector 1 off rotator rope (not shown)



**AUTHORIZED USA DISTRIBUTION BY:**

Cyntony Corporation  
195 Follen Road  
Lexington, Massachusetts  
sales@cyntony.com  
781-430-0675



**GAIN THE ADVANTAGE**

# High-Power LPDA

100 – 500 MHz

Product Code: LPDA-A0030

VERSION: 5.6

## VIEW OF LPDA-A0030 MOUNTING:

