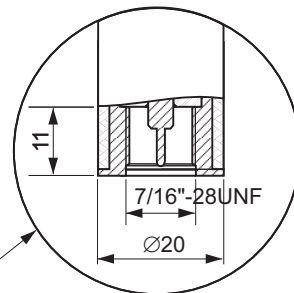
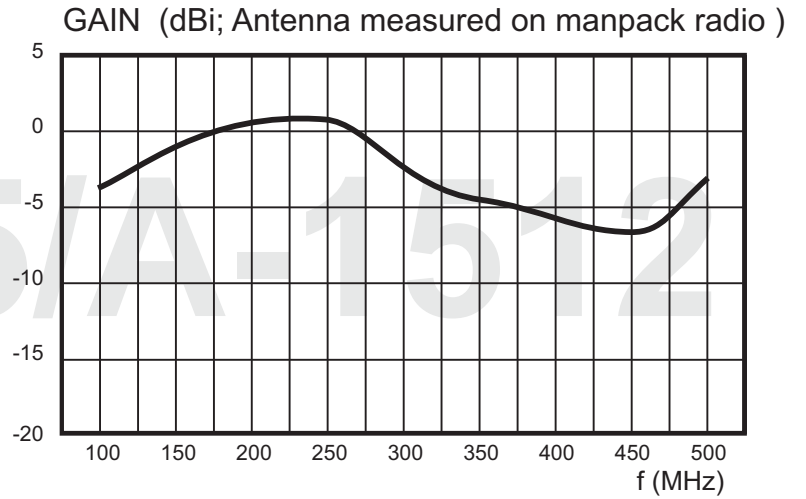
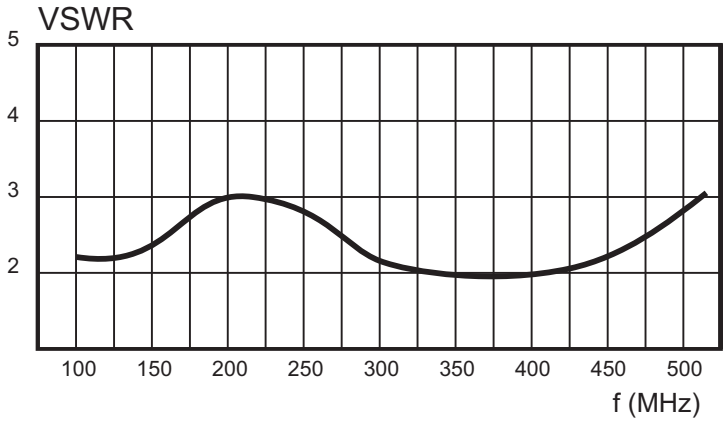
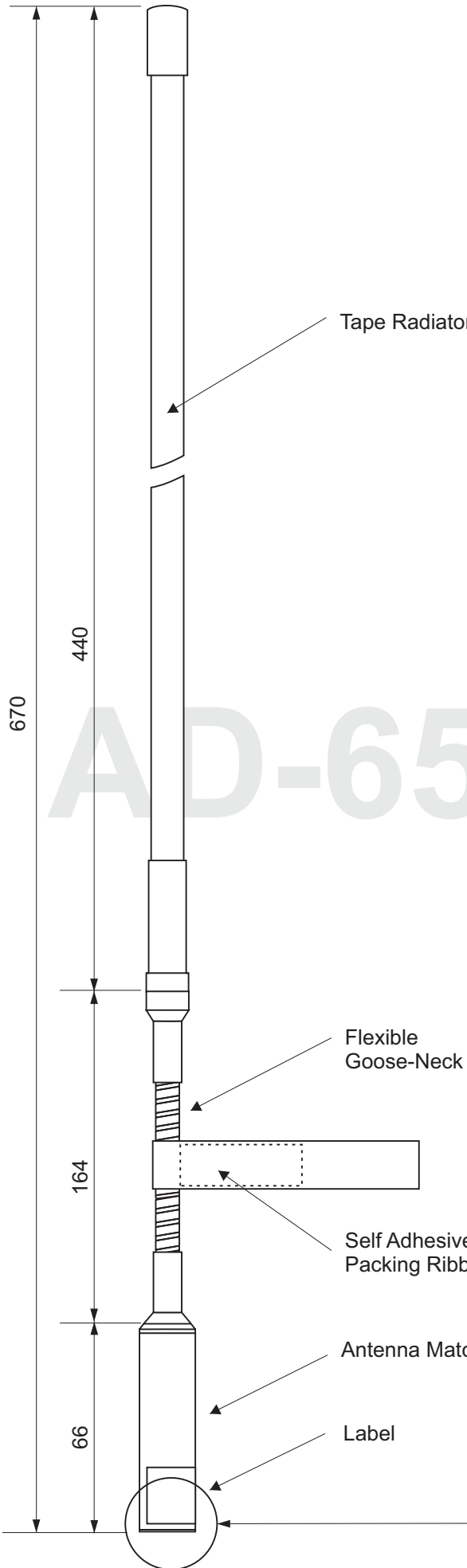


The antenna AD-65/A-1512 is a wideband monopole whip, primarily intended for use with manpack and handheld radios in VHF/UHF frequency range from 100 to 512 MHz. Electrically the antenna is optimized for all exploitation conditions (radio in hand, at the side, etc.) so it is not necessary to additionally tune the antenna. The antenna is composed of radiating part made of tape radiator and of the antenna matching unit with built-in a special passive transformer tuning network enclosed in fiberglass housing above the input coaxial connector. Between the tape radiator and matching unit is a flexible goose-neck allows bending the antenna to be always in vertical position.



Frequency (Mhz)	100-512
Impedance	50
VSWR	<3
Gain	see diagram
Polarization	Vertical
Max. power (W)	15
Connector type	TNCm
Radiator type	tape
Goose-neck (mm)	164
Height (mm)	670
Weight (gr.)	250
Temperature range	-40 +70 °C





AUTHORIZED USA DISTRIBUTION BY:

Cyntony Corporation
 195 Follen Road
 Lexington, Massachusetts
 sales@cyntony.com
 781-430-0675

