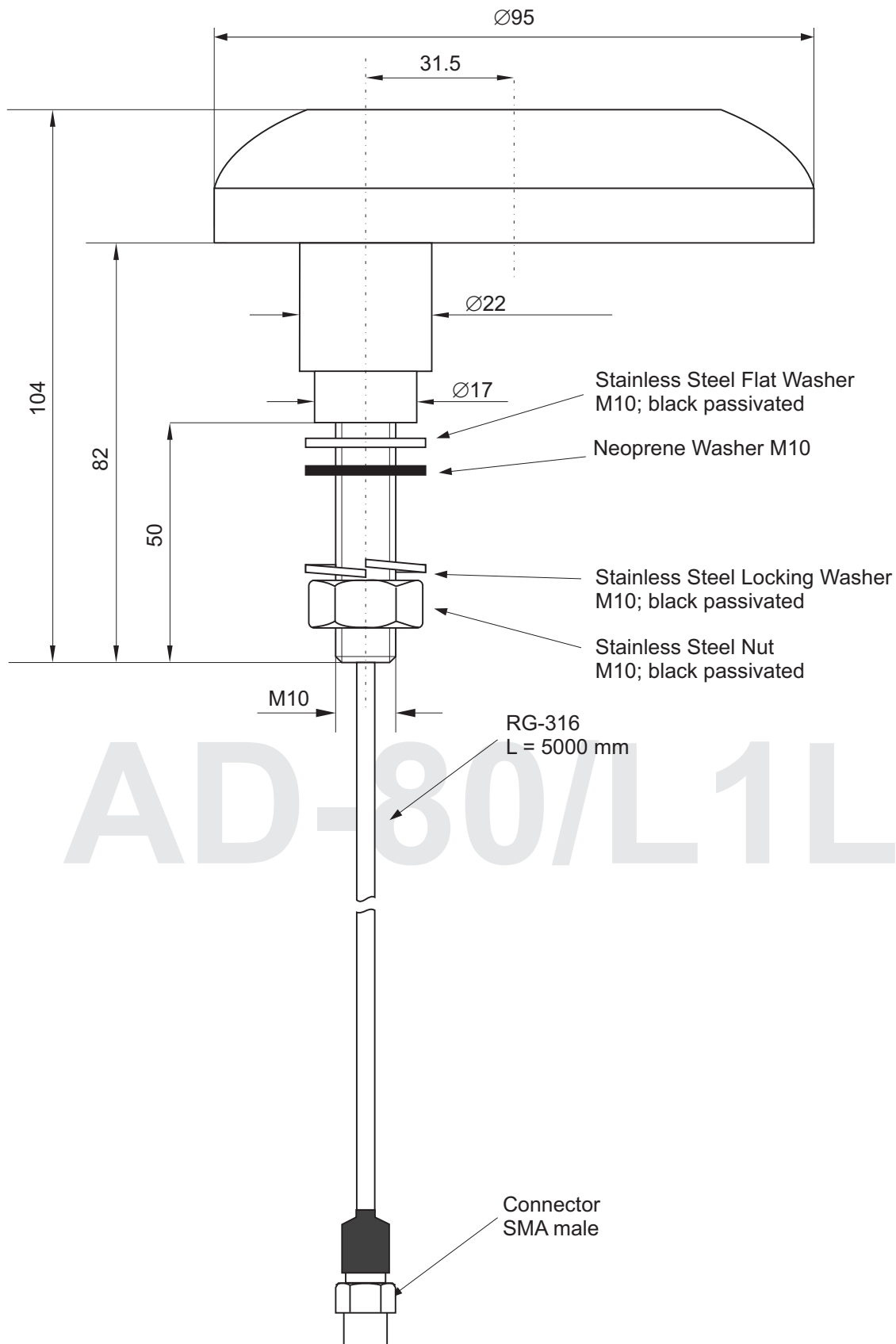


The antenna AD-80/L1L2 is a mobile GPS active receiving antenna intended for use with mobile and portable GPS receivers. Antenna covers L1 band (1575 MHz) and L2 band (1227 MHz). The active parts with the ceramic patch antenna are enclosed in the ABS radome. Stainless steel mounting adapter has M10 thread with washers and nut for easy mounting. The antenna could be used as standalone or in combination with our standard VHF/UHF broadband mobile antennas type AD-18/D, AD-27 or AD-18/E. With these antennas the AD-80/L1L2 could be placed on the existing antenna base instead of one M10 mounting screw - no need to drill additional mounting hole.

The antenna has 5000 mm of RG-316 coaxial cable with SMA male connector. Other connector types are available on request.

Frequency range	1575.42 + 1227.60 MHz (L1/L2)
Impedance	50 ohm
VSWR	< 2
Polarization	RHC
Gain (LNA)	≥ 30 dB
Noise fig.	< 2 dB
Power supply	2.5 - 6.0 V DC (9 mA max.)
Connector	SMA male
Dimensions	dia. 95 mm x 104 mm
Dimensions of cable	5000 mm ± 20 mm
Weight	470 g
Colour	Black
Materials	ABS; Stainless Steel
Temperature range	-40....+70 °C





AD-80/L1L2

**AUTHORIZED USA  
DISTRIBUTION BY:**

Cyntony Corporation  
 195 Follen Road  
 Lexington, Massachusetts  
 sales@cyntony.com  
 781-430-0675

  
 cyntony  
 customer attuned