

The antenna AD-27/V190-3108 is a family of wideband monopole VHF low profile mobile antennas for frequency range from 30 to 108 MHz. The antenna has a very low profile of radiating elements, very low visibility and very low weight, making it universal and suitable for installations in heavy trucks as well as lighter wheeled military vehicles.

The antenna is composed of two main parts: antenna base and radiating element. The antenna base is made of aluminum and durable plastic materials. Inside the base is the matching circuitry for the VHF radiator and (optional) GPS antenna. Stainless steel spring absorbs the shocks and the vibrations, in addition protects the antenna against impacts, while the (optional) tilting mechanism enables to adjust the inclination radius of the antenna, when "on move", or if decided so. Radiating element is made of conical Stainless Steel rod enabling outstanding strength and flexibility in the most severe environmental conditions.

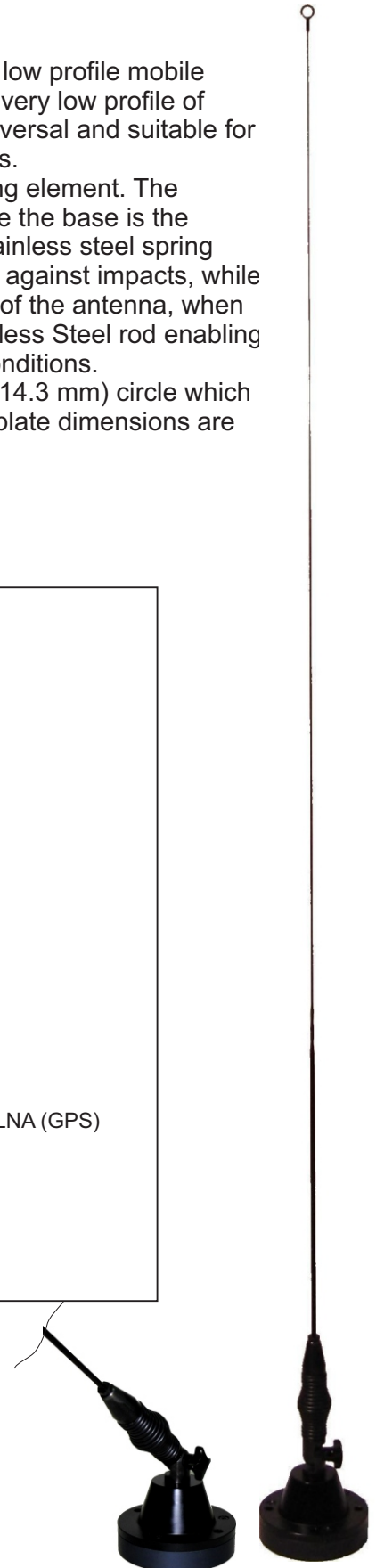
The antenna base has four mounting holes equally spaced on a 4.5" (114.3 mm) circle which complies with NATO and US army standard (AS-1729). Different base plate dimensions are available on request.

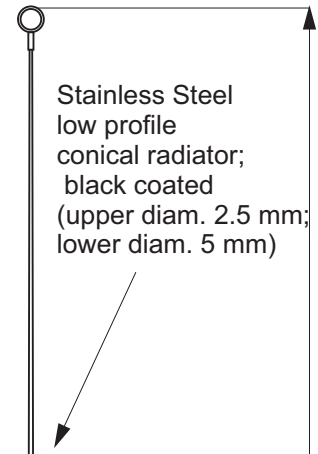
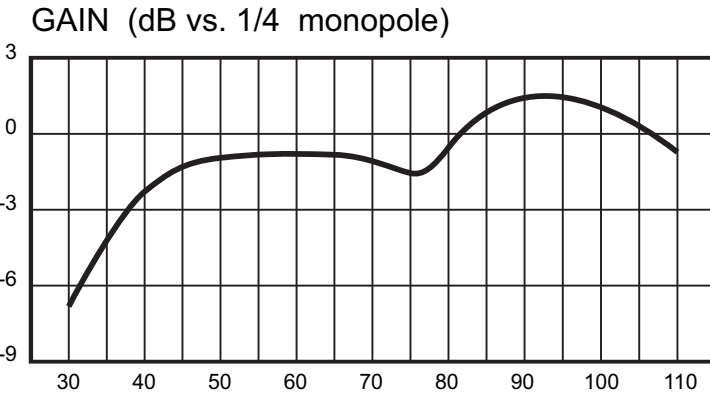
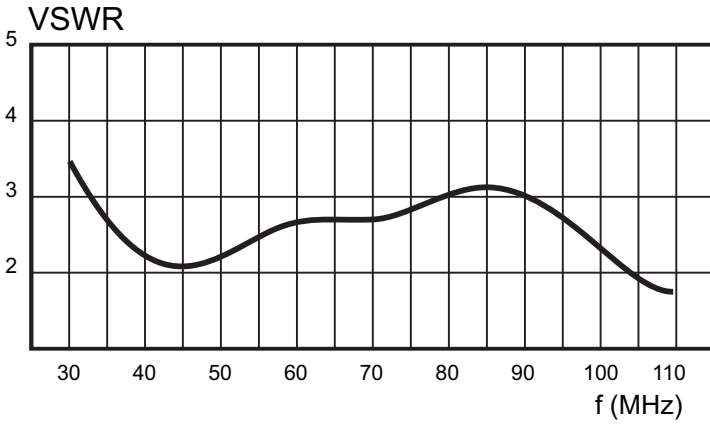
The antenna is black anodized.

ELECTRICAL SPECIFICATIONS - VHF:	
Frequency range	30 - 108 MHz
Impedance	50 ohms
VSWR	< 3,5 (see diagram)
Gain	see diagram
Polarization	vert.
Maximum power	100 W CW
Connector	BNC female (N female optional)
ELECTRICAL SPECIFICATIONS - GPS:	
Frequency range	L1 1575.42 +/- 10 MHz
Impedance	50 ohms
VSWR	< 2
Polarization	RHC
LNA Gain / Voltage / Current	18 dB (+/- 2 dB) / 5 V / 19 mA 16 dB (+/- 2 dB) / 3.5 V / 13 mA 10 dB (+/- 2 dB) / 2 V / 7 mA
Noise fig.	<1.5 dB
Connector	SMA female
MECHANICAL SPECIFICATIONS:	
Design	End fed whip (VHF); patch antenna with LNA (GPS)
Height	1.95 m
Weight	2.2 kg
Max. high voltage rating	16 kV
Temperature range - in use	-40 ... +55 °C
Temperature range - in stock	-55 ... +75 °C
Wind rating	55 m/s (200 km/h)
Color	Black

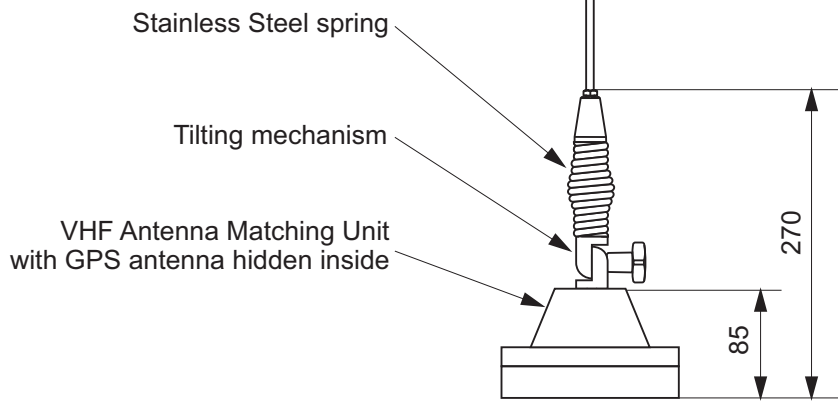
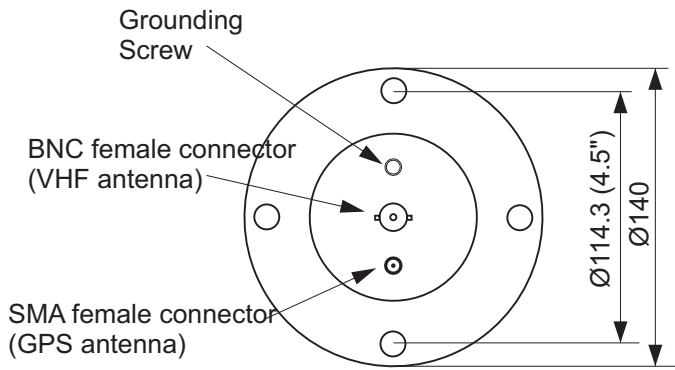
VERSIONS:

AD-27/V190-3108: VHF antenna
AD-27/V190-3108T: VHF antenna with tilting mechanism
AD-27/V190-3108G: combined VHF and GPS antenna
AD-27/V190-3108GT: combined VHF and GPS antenna with tilting mechanism





1950



BNC female connector for the VHF Antenna
SMA female connector for the GPS Antenna