

The antenna AD-21/45300 is broadband dipole mobile antenna intended for use with portable communication systems, broadband receivers and RF jamming. The antenna is covering frequency range from 450 to 3000 MHz. The antenna is composed of two parts. First part is antenna radiator which is a sleeve dipole ("center-fed"). The radiator of the antenna is fully enclosed in a fiberglass radome. The radiator is also equipped with the flexible goose neck allowing the antenna to be bent in almost every position. Other part of the antenna is a low profile magnet base. It is composed of aluminium housing and three neodymium magnets. The neodymium magnets are the strongest type of permanent magnet commercially available, the pull force of one magnet is 35 kg, so the base can be used in hardest environmental conditions and even on (MIL rough) thick painted vehicles. Magnet base has integrated coaxial cable length of 4 meters and ended with desirable coaxial connector.

**VERSIONS:**

**AD-21/45300-N:** broadband dipole antenna with N male connector

**AD-21/45300-F:** antenna with the fixed mount **ADN-21/N** for mobile applications

**AD-21/45300-M:** antenna with the magnet mount **ADM-21/N** for mobile applications

Frequency range	450 - 3000 MHz
Impedance	50 ohms
VSWR	< 3,5:1 (see diagram)
Maximum power	50 W CW
Polarization	Vertical
Gain	-5 ... +5 dBi (see diagram)
Radiation Pattern	Omnidirectional
Connector	N male
Height	450 mm
Weight - antenna	0.4 kg
Weight - magnet mount	0.7 kg
Weight - fixed mount	0.2 kg
Radome Diameter	28 mm
Temperature range	- 40....+70 °C



**Fixed mount  
ADN-21/N**

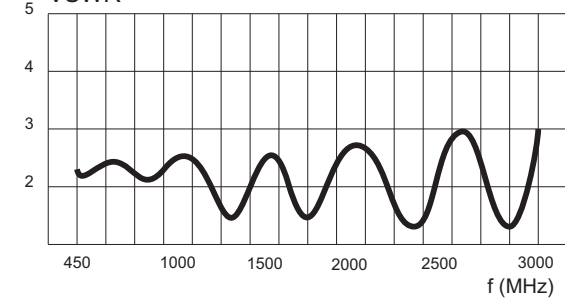


**Magnet mount  
ADM-21/N**

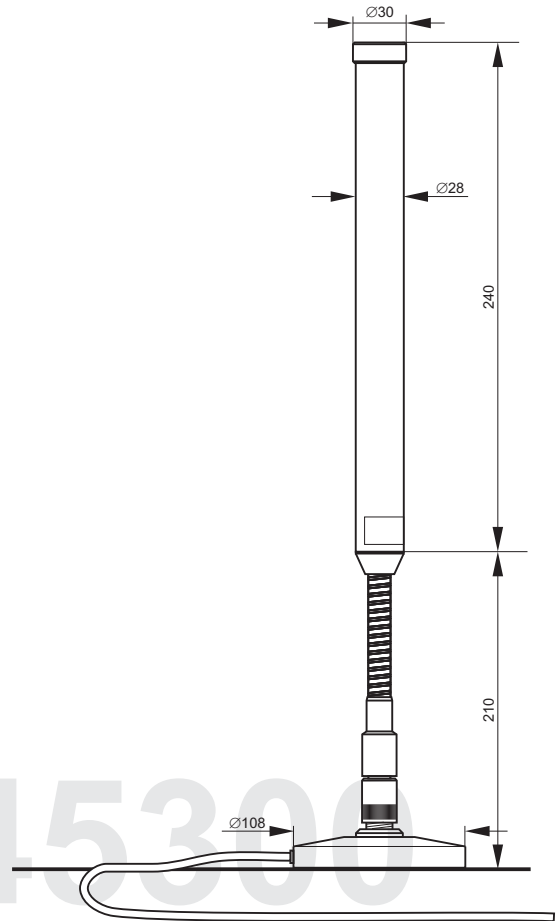
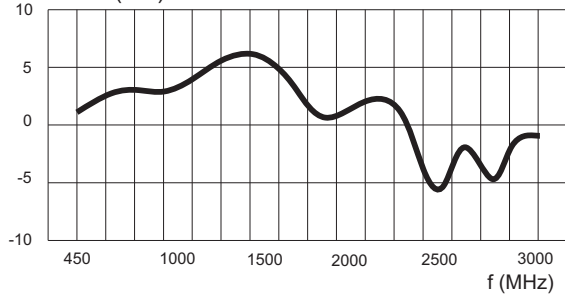


**Antenna  
AD-21/45300-M**

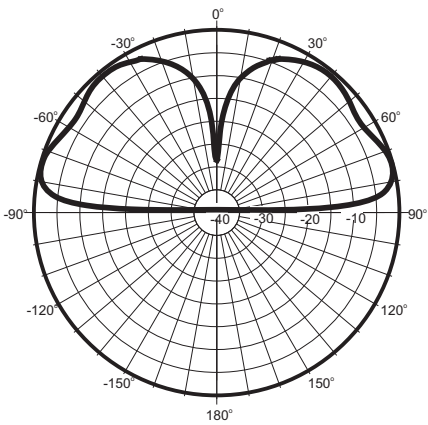
**VSWR**



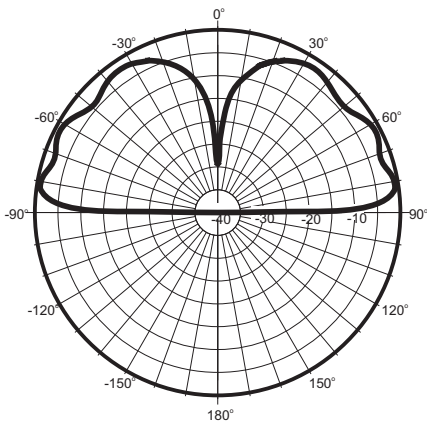
**GAIN (dBi)**



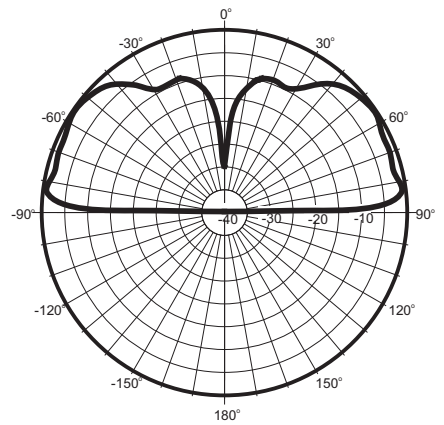
Rad. Pattern E-plane  
Frequency: 0.5 GHz



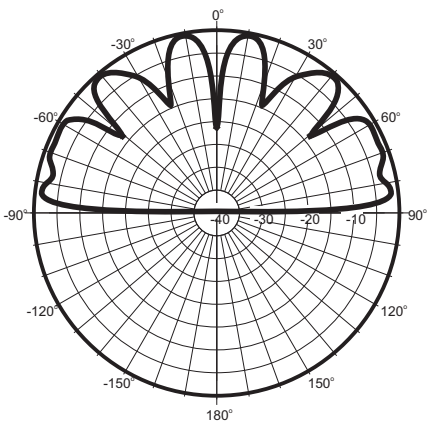
Rad. Pattern E-plane  
Frequency: 1 GHz



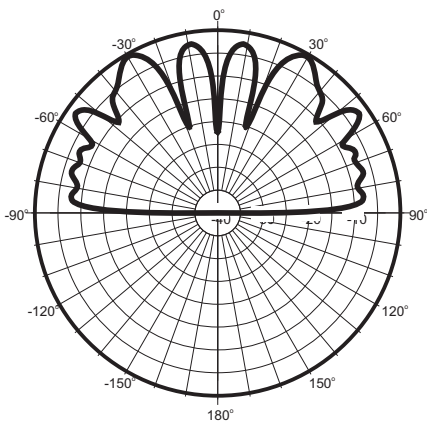
Rad. Pattern E-plane  
Frequency: 1.5 GHz



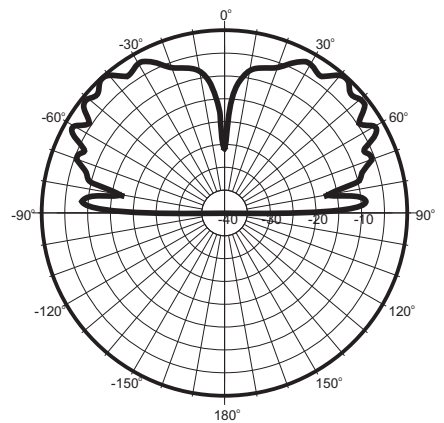
Rad. Pattern E-plane  
Frequency: 2 GHz



Rad. Pattern E-plane  
Frequency: 2.5 GHz



Rad. Pattern E-plane  
Frequency: 3 GHz



AD-21/45300