

The antenna AD-21/3512 is a wideband low-profile monopole mobile antenna covering frequency range from 30 to 512 MHz and is intended for use with portable and mobile radios. The antenna radiator is composed of two parts: the whip made of special strong and flexible stainless steel whip with spring at the bottom and the matching transformer unit above the N male coaxial connector. The radiator and the matching unit are painted with UV protective polyurethane black paint.

The antenna radiator could be used as a separate antenna attached to the portable radio device or it can be used with the magnet base ADM-21/N or fixed base ADN-21/N, both with the integrated coaxial cable length of 4 meters and ended with the FME female connector. Various adapters from FME to N, BNC, UHF, SMA, etc. are available on request.

## VERSIONS:

**AD-21/3512-N:** wideband monopole antenna for portable radio devices with N male connector

**AD-21/3512-F:** antenna AD-21/3512-N with the fixed mount ADN-21/N for mobile applications

**AD-21/3512-M:** antenna AD-21/3512-N with the magnet mount ADM-21/N for mobile applications

Frequency range	30-512 MHz
Impedance	50 ohm
VSWR	< 3.5 (see diagram)
Max. power	50 W CW
Gain	-20 .... -2 dBi
Height	1225 mm
Radiator Weight	350 gr.
Magnet Base Weight	700 gr.
Fixed Base Weight	200 gr.
Cable length	4 m
Input connector	FME female



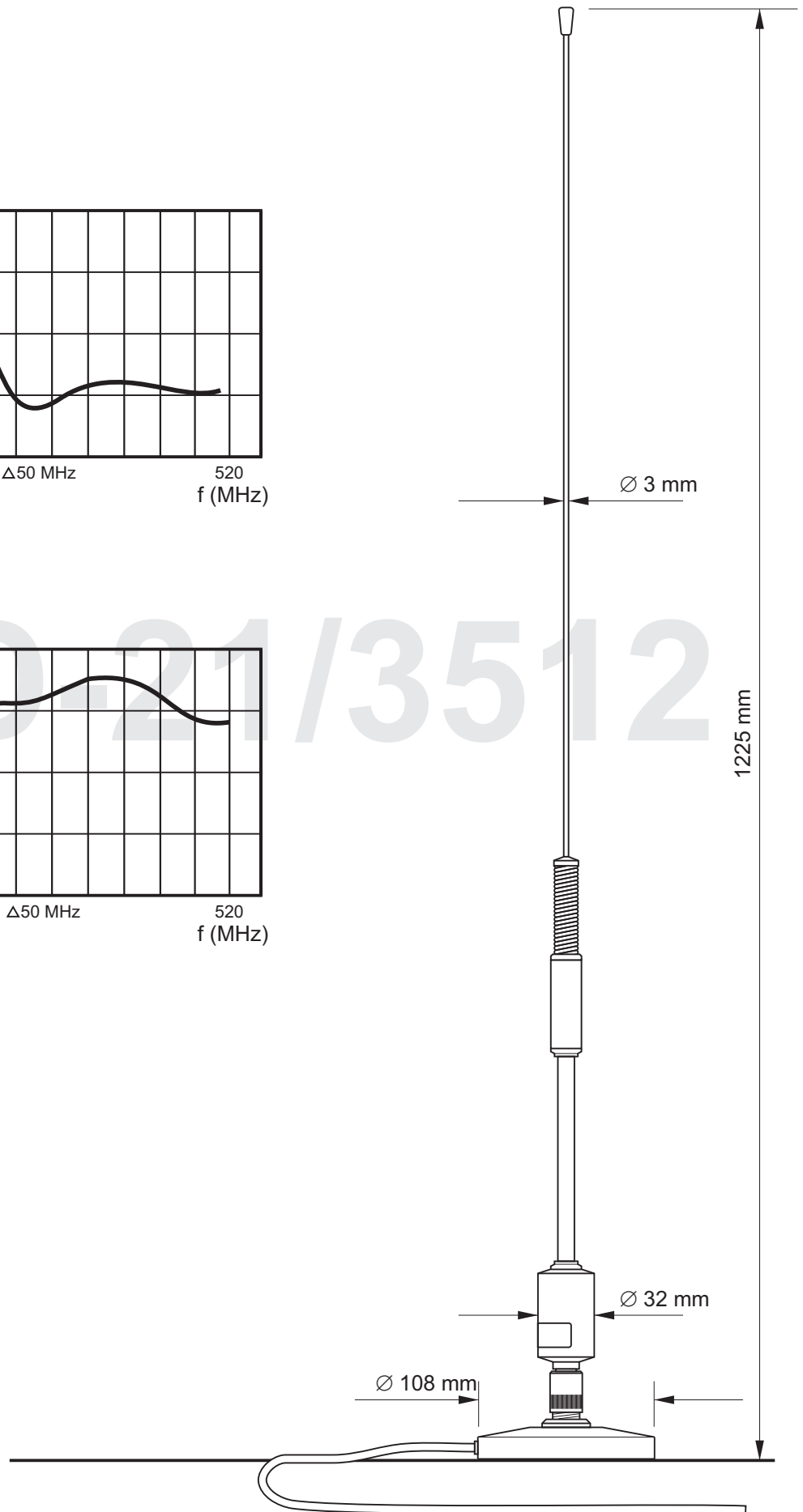
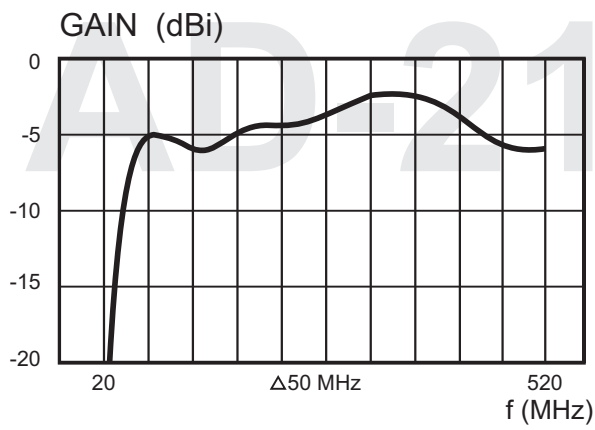
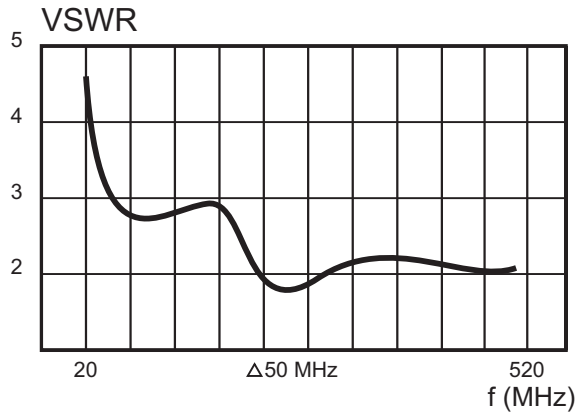
**Fixed mount  
ADN-21/N**



**Magnet mount  
ADM-21/N**



**Antenna  
AD-21/3512-M**



**AUTHORIZED USA  
DISTRIBUTION BY:**

Cyntony Corporation  
195 Follen Road  
Lexington, Massachusetts  
sales@cyntony.com  
781-430-0675

**cyntony**  
customer attuned