

The antenna AD-21/2G6G is broadband dipole mobile antenna intended for use with portable communication systems, broadband receivers and RF jamming. The antenna is covering frequency range from 2000 to 6000 MHz. The antenna is composed of two parts.

First part is antenna radiator which is a dipole ("center-fed"). The radiator of the antenna is fully enclosed in a hard plastic radome.

Other part of the antenna is a low profile magnet base. It is composed of aluminium housing and three neodymium magnets. The neodymium magnets are the strongest type of permanent magnet commercially available, the pull force of one magnet is 35 kg, so the base can be used in hardest environmental conditions and even on (MIL rough) thick painted vehicles. Magnet base has integrated low-loss coaxial cable RG-58 length of 2 meters and ended with required coaxial connector.

| | |
|-------------------------|-----------------------------|
| Frequency range | 2 - 6 GHz |
| Impedance | 50 ohms |
| VSWR | < 3.5:1 (see diagram) |
| Maximum power | 50 W CW |
| Polarization | Linear Vertical |
| Gain | -3 ... +1 dBi (see diagram) |
| Radiation Pattern | omnidirectional |
| Connector | N male |
| Height | 235 mm |
| Weight - antenna | 0.2 kg |
| Weight - magnet mount | 0.7 kg |
| Weight - fixed mount | 0.2 kg |
| Radome Diameter | 32 mm |
| Temp. range - operating | - 40....+70 °C |



**Antenna
AD-21/2G6G-M**



**Fixed mount
ADN-21/N-LL**



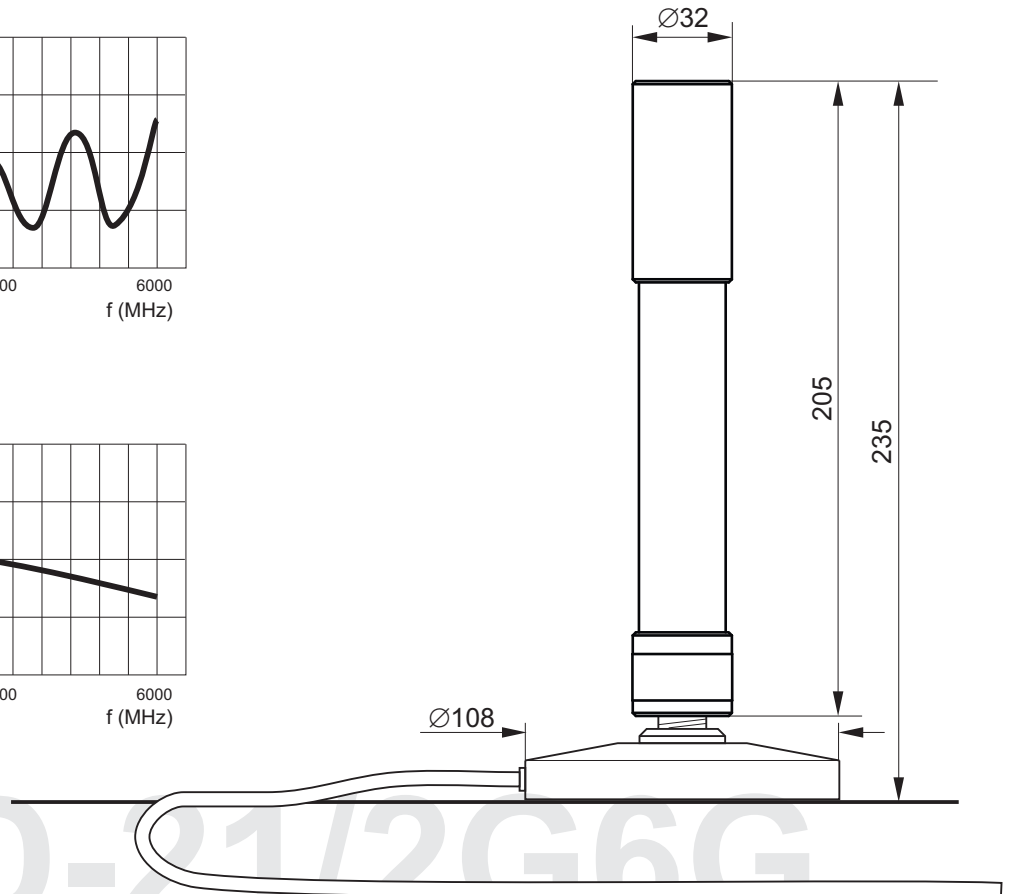
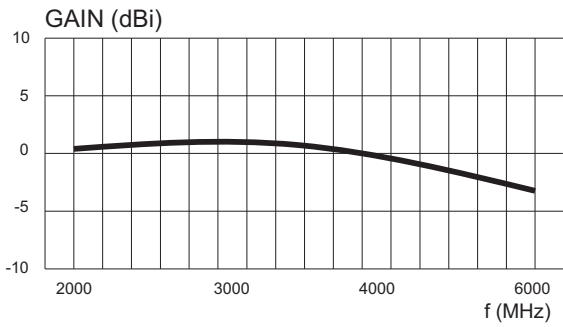
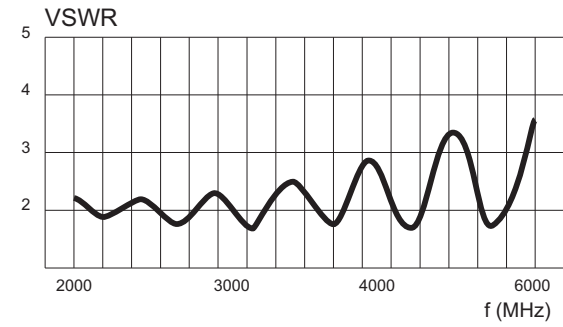
**Magnet mount
ADM-21/N-LL**

VERSIONS:

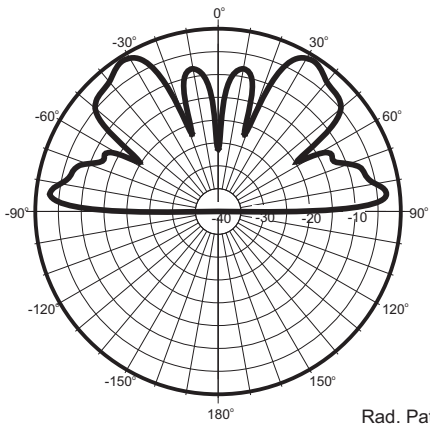
AD-21/2G6G-N: broadband dipole antenna with N male connector

AD-21/2G6G-F: antenna **AD-21/2G6G-N** with the fixed mount **ADN-21/N** for mobile applications

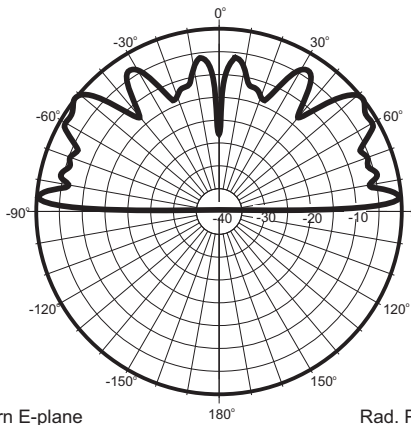
AD-21/2G6G-M: antenna **AD-21/2G6G-N** with the magnet mount **ADM-21/N** for mobile applications



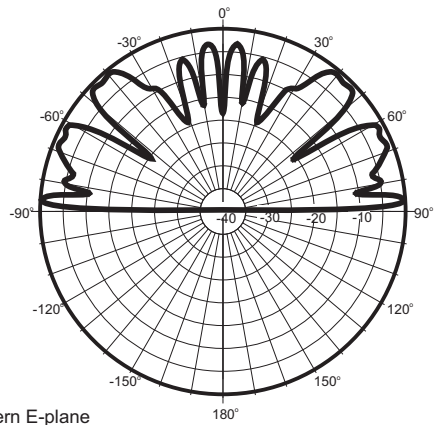
Rad. Pattern E-plane
Frequency: 2 GHz



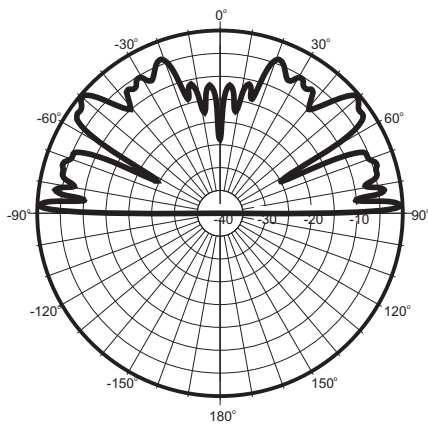
Rad. Pattern E-plane
Frequency: 3 GHz



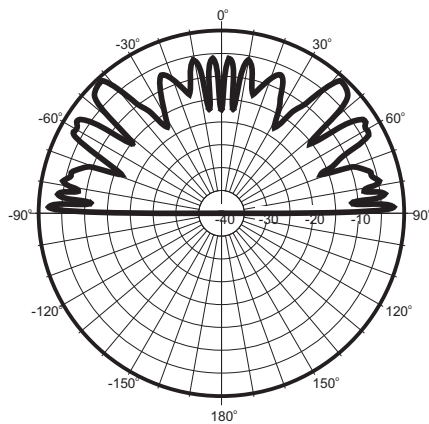
Rad. Pattern E-plane
Frequency: 4 GHz



Rad. Pattern E-plane
Frequency: 5 GHz



Rad. Pattern E-plane
Frequency: 6 GHz



**AUTHORIZED USA
DISTRIBUTION BY:**

Cyntony Corporation
195 Follen Road
Lexington, Massachusetts
sales@cyntony.com
781-430-0675

cyntony
customer attuned