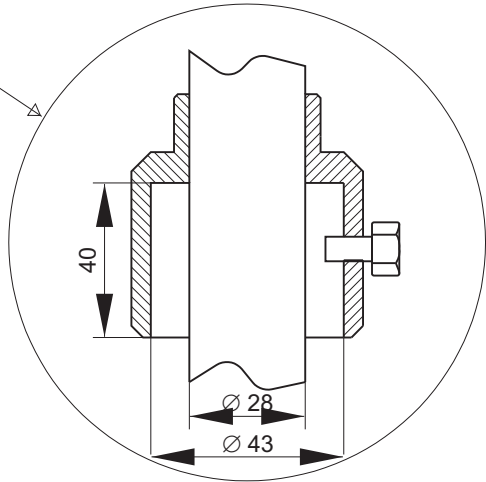
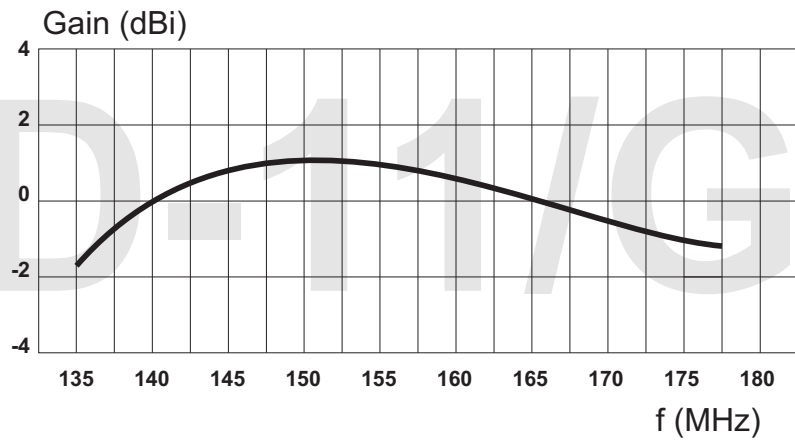
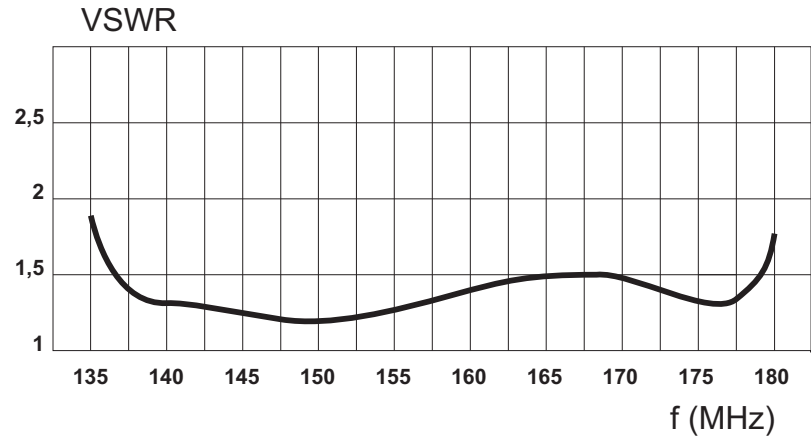
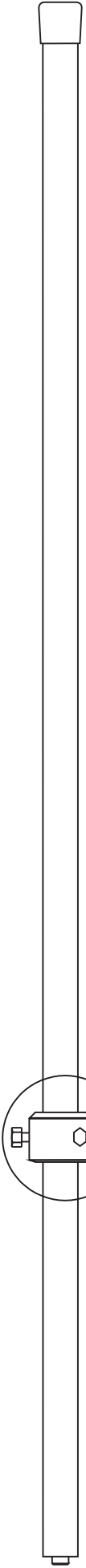


Antenna AD-11/G is wideband antenna covering frequency range from 136 to 176 MHz and is intended for stationary and portable use. Electrically the antenna is designed as a dipole with capacitive continuously distributed loading along the upper radiating element. All metal parts of the antenna are DC grounded and enclosed in tube made of composite material epoxy-glass ensuring good resistance against atmospheric influences and long life time. The antenna could be mounted on any metal tube with inner diameter greater than 30 mm and outer diameter less than 43 mm (for instance standard tube 1 1/4"). The antenna could also be mounted by our standard mounting console and adapter elements ADK.



Frequency range	136 - 176 MHz
Impedance	50 ohm
VSWR	< 1.6 (DIAG. 1)
Gain	0 - 1 dBi
Polarization	VER.
Maximum power	400 W CW
Connector	N
Height	1366 mm
Diameter	28 mm
Mass of antenna	1.6 kg
Wind velocity	150 km/h
Temperature range	-40....+70 °C



**AUTHORIZED USA
DISTRIBUTION BY:**

Cyntony Corporation
195 Follen Road
Lexington, Massachusetts
sales@cyntony.com
781-430-0675

