

Model 520TRW Three Roll Wrap



The 520 is a heavy-duty affordable 3-roll wrap labeling system. The compact size, durability, and low cost make the system ideal for small, medium, or long-run jobs. Large volume, high-speed packaging applications are handled with ease.

FEATURES:

- Heavy-duty construction
- Dancer arm for reduced web tension and smooth operation
- Label feed up to 2400"/minute
- Stepper motor direct-drive labeling head
- Stepper-driven 3-roll wrap
- Digital speed control
- Intuitive touch pad interface
- Adjustable height and angle on operator interface

OPTIONS:

- Low label/out of label alarms
- Hot stamp, ink jet or laser lot coding
- Digitally-synchronized speed control
- Programmable presets
- 16" OD label supply roll
- Connector guards
- Additional guarding
- Additional conveyor length
- Custom configurations

LABELPACK®

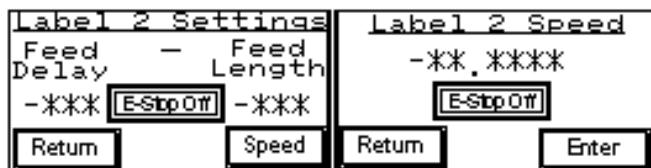
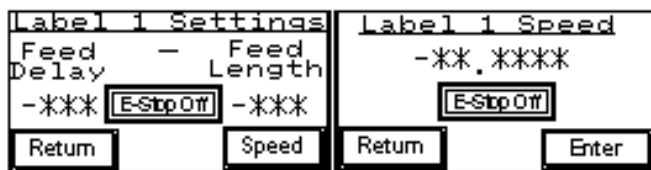
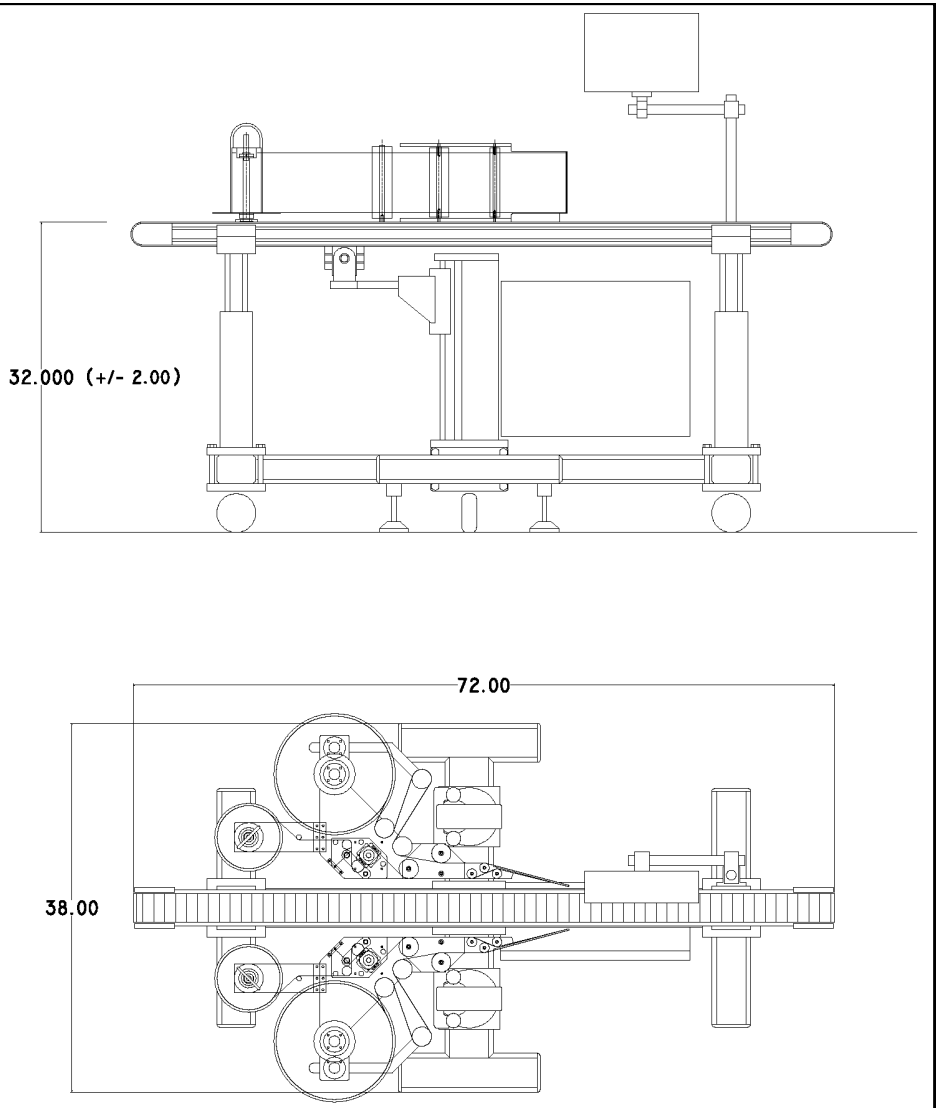
AUTOMATION

LabelPack Automation, Inc.
20 Russell Boulevard
Bradford, PA 16701
Phone: 888-579-1528
Fax: 814-362-7330
sales@lpautomation.com
www.lpautomation.com

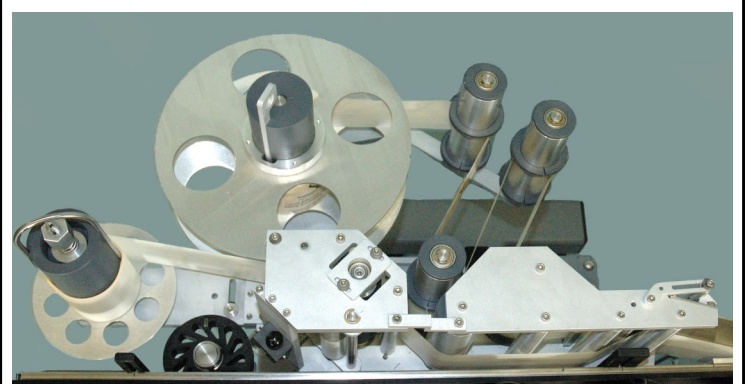
Model 520TRW Three Roll Wrap

Specifications:

- 12" OD label supply roll
- 3" diameter label core
- 6.25" maximum width
- 6" x 6' conveyor
- 4" packing wheel
- 3-roll wrap station
- Stepper driven labeler and wrap belt
- Variable speed DC motor on conveyor and pacing wheel
- Latch open drive for label -loading
- E-Stop
- Leveling feet
- 4" locking casters
- 115 VAC electric supply



Easy Set-Up Screens



Labeling Head