

Model 625WW Front Back



The 625 is a heavy-duty, affordable front-back labeling system. The compact size, durability, and low cost make the system ideal for small, medium or long-run jobs. Large volume, high-speed packing applications are handled with ease.

FEATURES:

- Heavy-duty construction
- Label feed up to 2400"/minute
- Stepper motor direct-drive labeling head
- Digital speed control
- Intuitive touch pad interface
- Adjustable height and angle on operator interface
- Easy access to all controls and both label supply rolls from either side of conveyor

OPTIONS:

- Low label/out of label alarms
- Hot stamp, ink jet or laser lot coding
- Digitally-synchronized speed control
- Programmable presets
- 16" OD label supply rolls with double dancer arms for reduced web tension and smooth operation
- Top hold-down conveyor
- Product aligners
- Connector guards
- Additional guarding
- Additional conveyor length
- Custom configurations

LABELPACK®

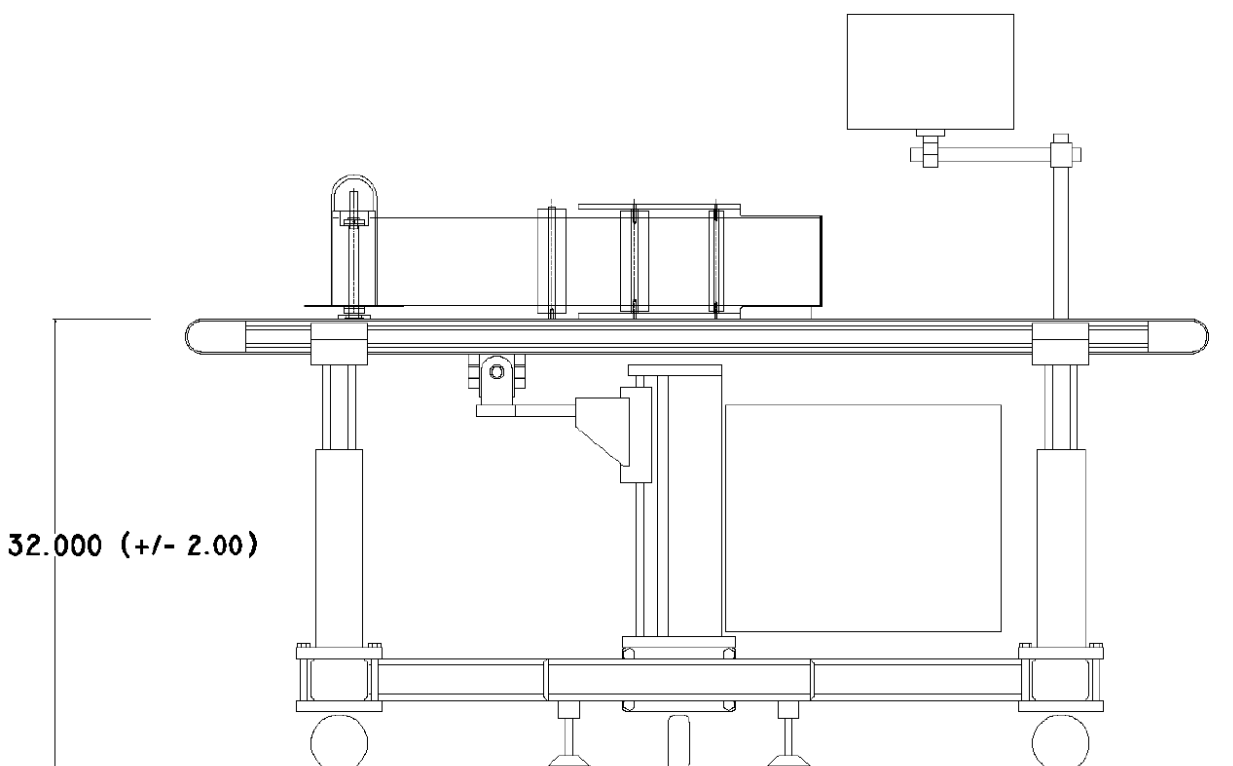
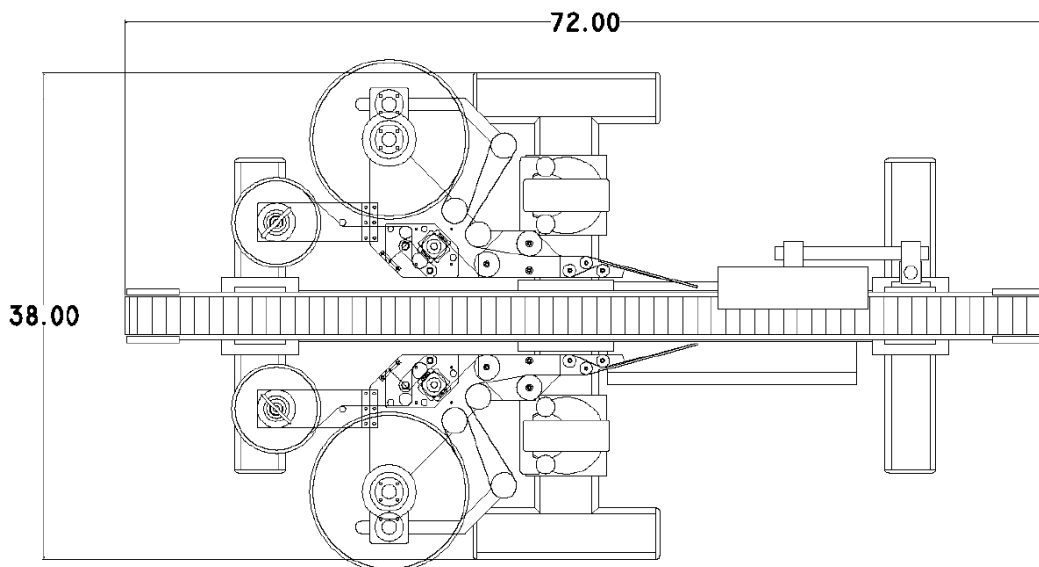
AUTOMATION

LabelPack Automation, Inc.
20 Russell Boulevard
Bradford, PA 16701
Phone: 888-579-1528
Fax: 814-362-7330
sales@lpautomation.com
www.lpautomation.com

Model 625WW Front Back

Specifications:

- 12" OD label supply rolls
- 3" diameter label core
- 6.25" maximum label width
- 3" x 6' conveyor
- 4" pacing wheel
- Stepper driven labeling heads
- Variable speed DC motor on conveyor and pacing wheel
- Latch-open drive for easy label loading
- E-Stop
- Leveling feet
- 4" locking casters
- 115 VAC electric supply
- Power disconnect for lockout



LABELPACK[®]

AUTOMATION