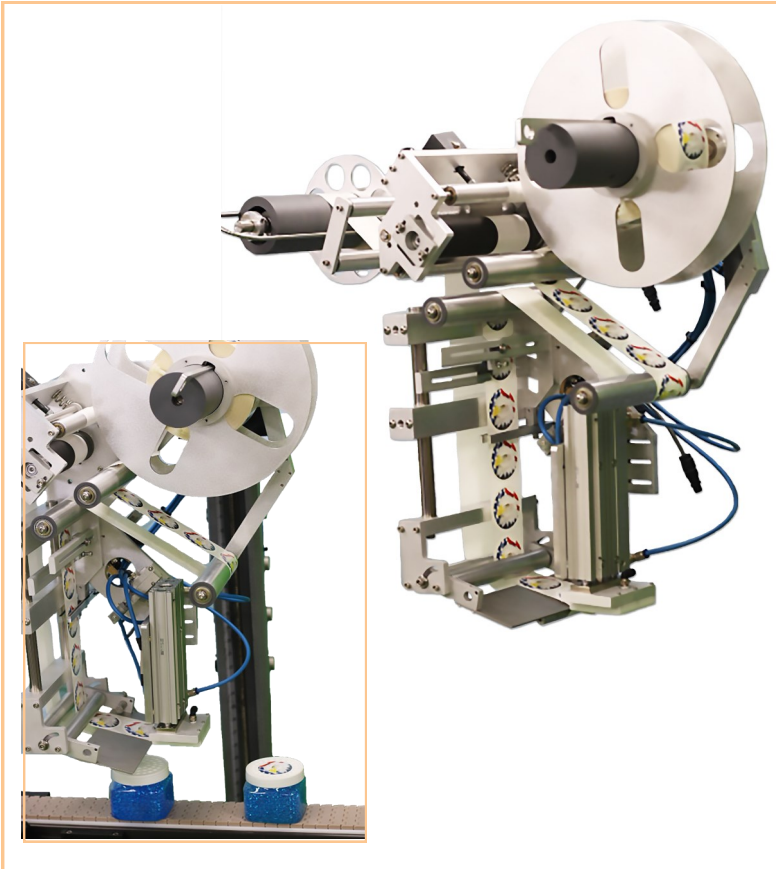


# Model 310T Compact Tamp Label Applicator



The 310T is a heavy duty tamp applicator. The adjustable peel edge and tamp mount together to form a variable printing length. This provides you with either an extended reach or a compact head to best meet your packaging needs.

***LABELPACK***®  
AUTOMATION

## Features:

- Heavy duty construction
- Large label capacity
- Dancer arm for reduced web tension and smooth operation
- AC Synchronous Drive
- Label feed 425"/minute
- PLC controls
- Operator interface for easy operation

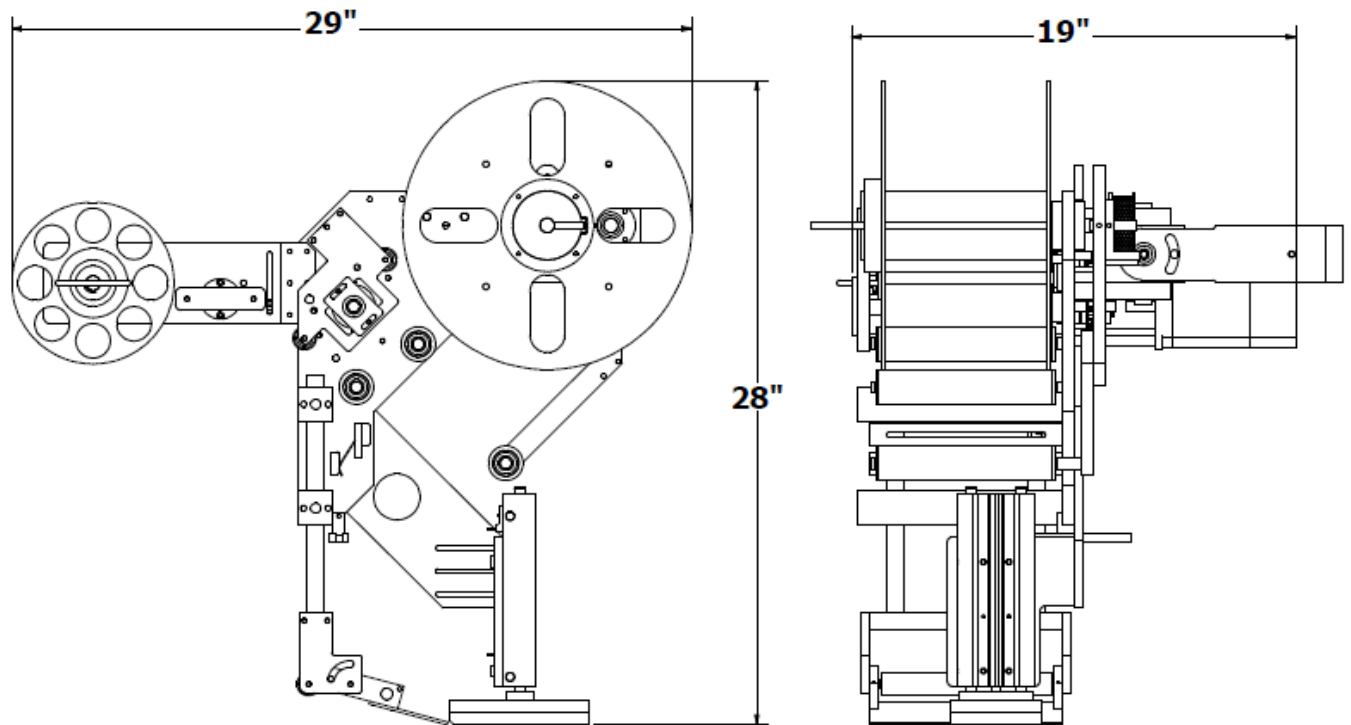
## Options:

- Low label, out of labels alarms
- Clear label sensor
- Hot stamp lot coder
- Oversized frame for wider labels
- Snorkel for reaching into tight spaces
- Heavy-duty floor stand
- 16" diameter label supply roll

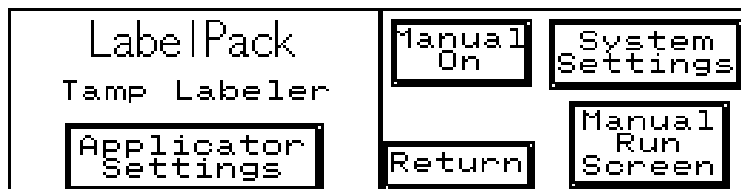
**888-579-1528**

20 Russell Blvd Bldg E  
Bradford, PA 16701  
Phone: 814-362-1528  
Fax: 814-362-7330  
sales@lpautomation.com  
www.lpautomation.com

# Model 310T Label Applicator

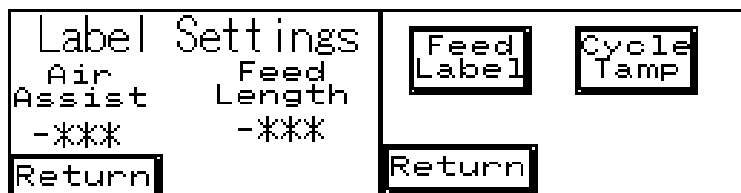


## Controls—Sample Screens



Home Screen

Manual Access



Typical Value Set-up

Manual Movements

## Specifications

- 12" diameter label supply roll
- 3" diameter label core size
- 6.25" maximum label width
- 115 VAC electric supply
- 60 to 90 PSI