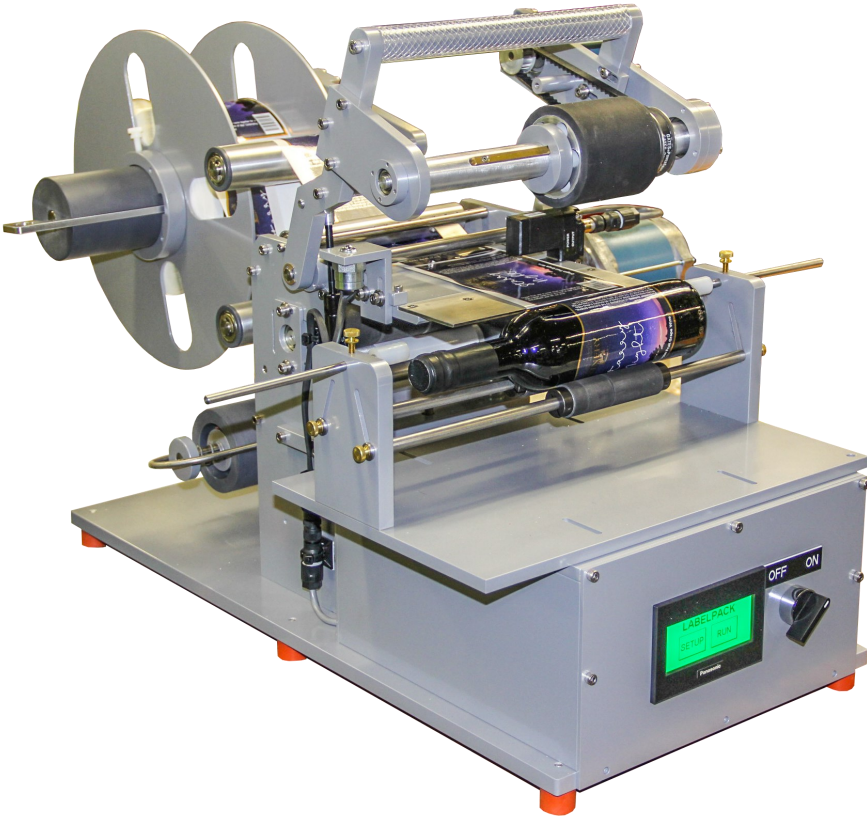


Model 135 Tabletop Wrap



The 135 Tabletop Wrap applies labels to round products with no need for compressed air. Just place your product in the caddy and press the foot switch. A top hold down is provided for empty or lighter containers.

LABELPACK[®]
AUTOMATION

FEATURES:

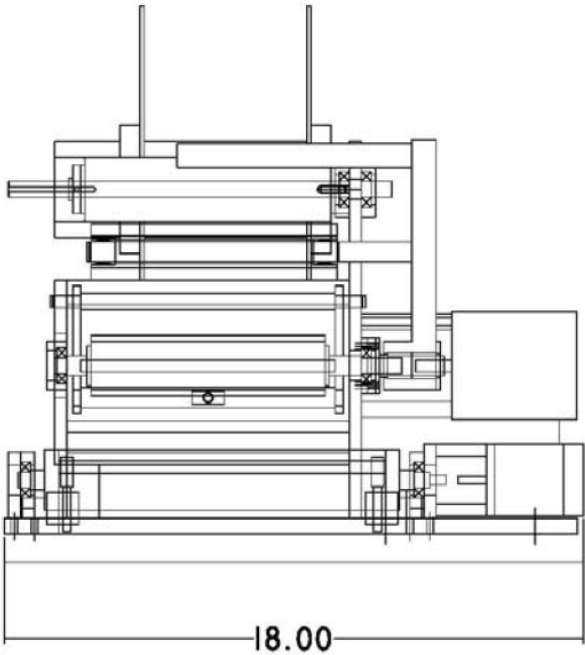
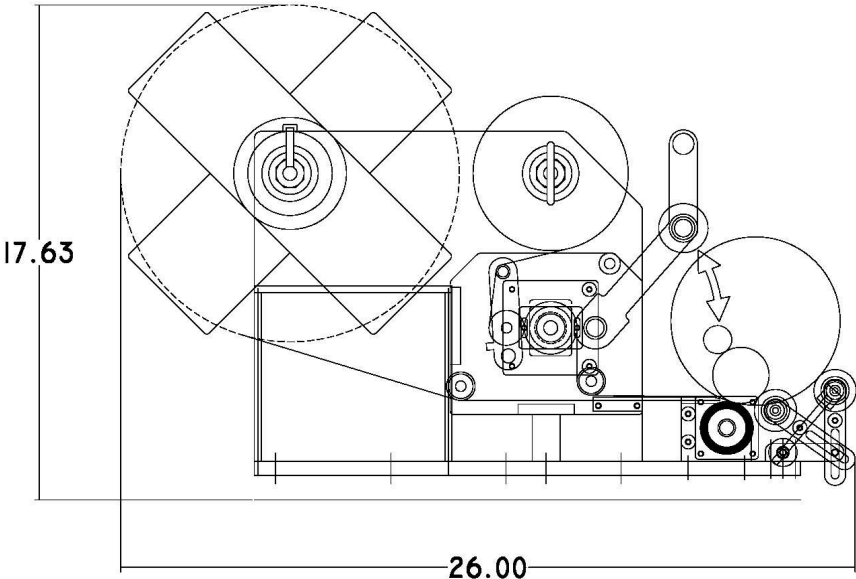
- Heavy-duty construction
- Easy-access label threading
- Easy-access product caddy
- Simple operation
- Does not require compressed air
- Winds up scrap liner
- Quick and easy changeover between products
- Single or front/back label application

OPTIONS:

- Custom caddy for larger or smaller products
- Oversized frame for wider labels
- Compliant rollers for glass bottles with uneven sides
- Custom mandrel and label handling for tapered products
- Hot stamp for date coding
- Clear label sensor
- Label counter

LabelPack Automation, Inc.
20 Russell Boulevard
Bradford, PA 16701
Phone: 888-579-1528
Fax: 814-362-7330
sales@lpautomation.com
www.lpautomation.com

Model 135 Tabletop Wrap



Specifications:

- 12" label supply roll
- 6.25" maximum label width
- 12" caddy width
- 1.5" – 10" product diameter
- 115 VAC electric supply
- Must be opaque, die cut label